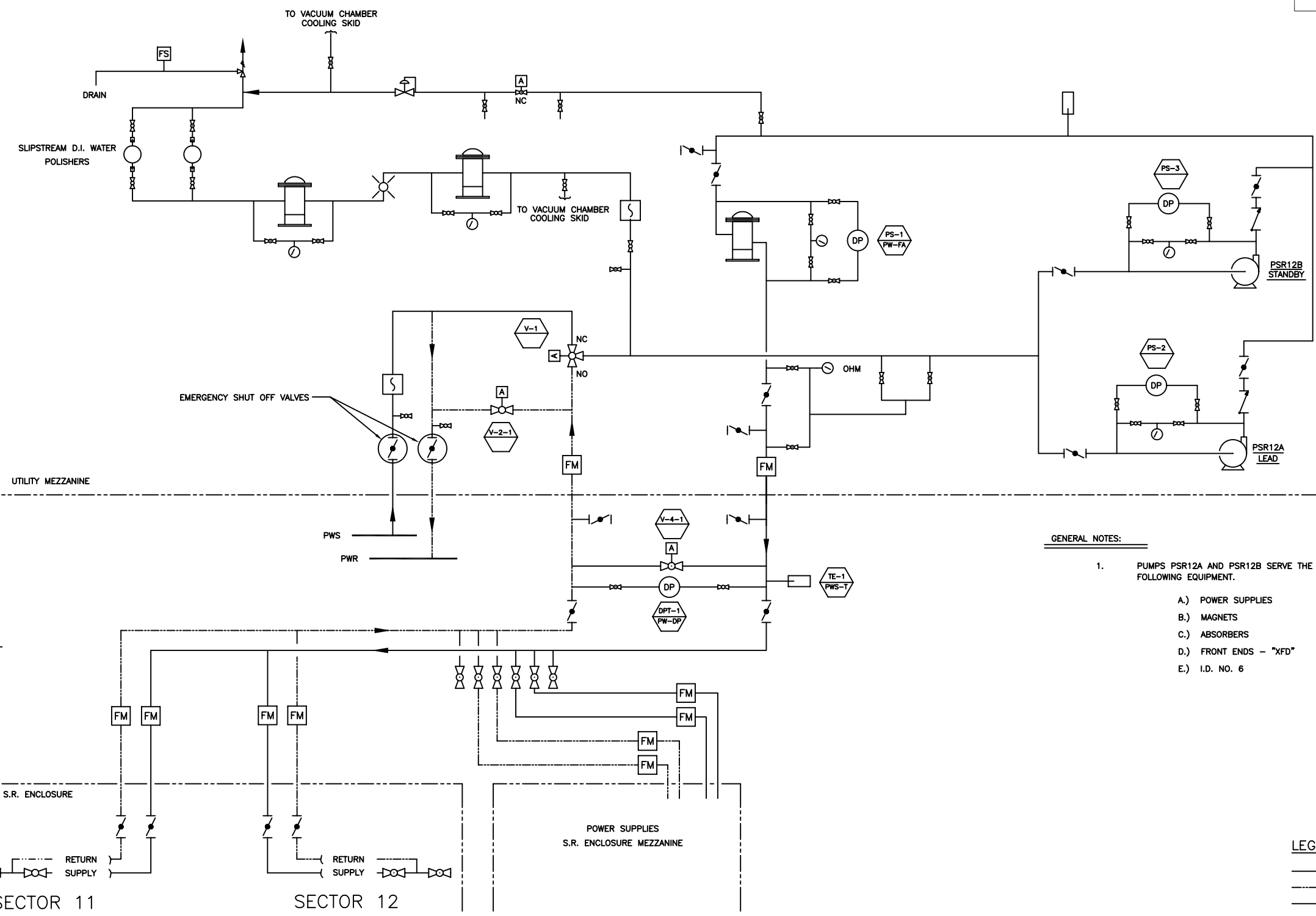


REVISIONS					
ZONE	REV	DESCRIPTION	BY	APPROVED	DATE
	01	PUMP NAMES CHANGED PER DCN 960710-03	HPC		



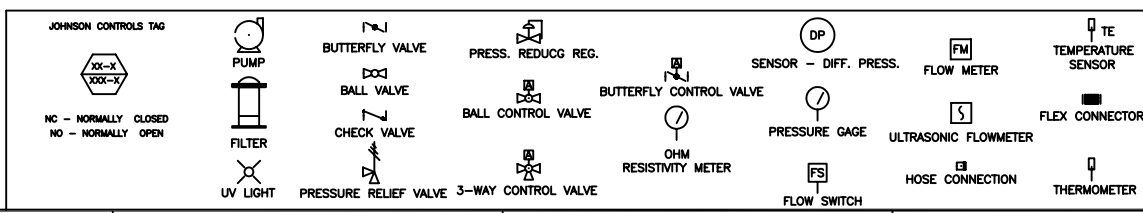
- GENERAL NOTES:**
- PUMPS PSR12A AND PSR12B SERVE THE FOLLOWING EQUIPMENT.
    - A.) POWER SUPPLIES
    - B.) MAGNETS
    - C.) ABSORBERS
    - D.) FRONT ENDS - "XFD"
    - E.) I.D. NO. 6

- LEGEND:**
- SUPPLY LINE
  - - - RETURN LINE
  - INSTRUMENTATION LINE

PUMPS PSR12A AND PSR12B SECTORS 11 AND 12

NO SCALE

NOTE: THIS DRAWING ORIGINALLY FACILITY DRAWING NUMBER J0400-1180-E-P006 SHEET 6 OF 20



ITEM	DRAWING / PART NUMBER	NOMENCLATURE OR DESCRIPTION	MATERIAL / SPEC	QTY
PARTS LIST / BILL OF MATERIALS				
UNLESS OTHERWISE SPECIFIED: ALL DIMENSIONS ARE IN INCHES		DRAWN BY: H.P. CZERWINSKI	DATE: 01/10/96	<p>THIS DRAWING IS THE PROPERTY OF <b>ARGONNE NATIONAL LABORATORY</b> ADVANCED PHOTON SOURCE</p>
TOLERANCES:		CHECKED BY: E. SWETIN	DATE: 2/22/96	
DECIMALS: .X ±.1 .XX ±.01 .XXX ±.005		DESIGNED BY: SWETIN EUGENE	DATE:	
ANGULAR: ±.05° SURFACE ROUGHNESS: 125		RESPONSIBLE ENGINEER: SWETIN EUGENE	DATE: 2/22/96	
REMOVE ALL BURRS AND BREAK SHARP EDGES .03 MAX. SURFACE TEXTURE TO BE IN ACCORDANCE WITH LATEST ANSI B46.1. DIMENSIONING & TOLERANCING IN ACCORDANCE WITH LATEST ANSI Y14.5		GROUP LEADER: S. SHARMA	DATE: 2/23/96	TITLE: PIPING & INSTRUMENT DIAGRAM PIPING & INSTRUMENT DIAGRAM EXPERIMENTAL HALL SECTORS 11 & 12 PUMPS PSR12A& PSR12B
MATERIAL: SEE PART LIST		APPROVED BY:	DATE:	SIZE: D
ELECTRONIC FILE NAME: A2402501		APPROVED BY:	DATE:	FSCM No. OHRH5
				DRAWING NUMBER: 31-100600
				REV. 01
				SCALE: 1:1
				DO NOT SCALE DRAWING
				SHEET: 1 of 1