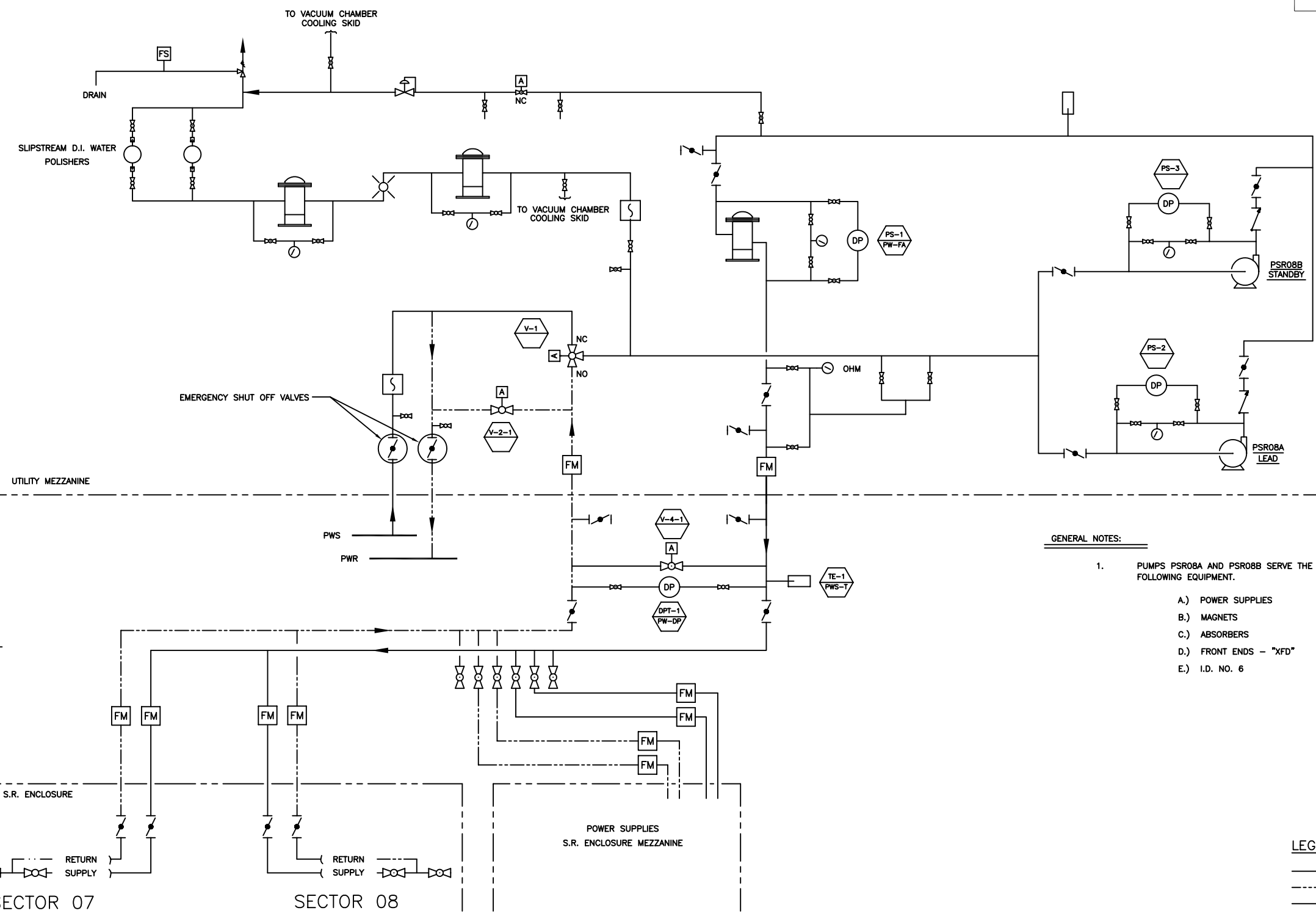


REVISIONS					
ZONE	REV	DESCRIPTION	BY	APPROVED	DATE
	01	PUMP NAMES CHANGED PER DCN 960710-03	HPC		



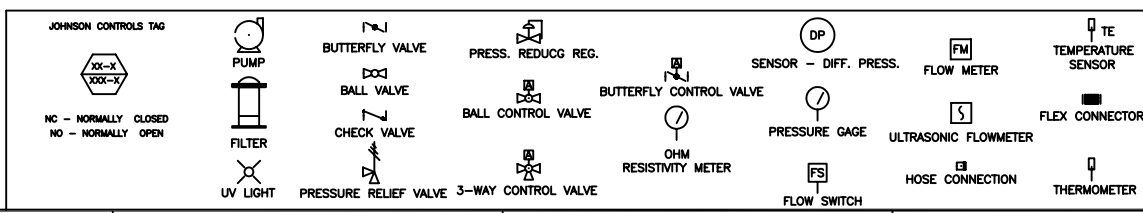
- GENERAL NOTES:**
- PUMPS PSROBA AND PSROBB SERVE THE FOLLOWING EQUIPMENT.
    - A.) POWER SUPPLIES
    - B.) MAGNETS
    - C.) ABSORBERS
    - D.) FRONT ENDS - "XFD"
    - E.) I.D. NO. 6

- LEGEND:**
- SUPPLY LINE
  - RETURN LINE
  - · — · — INSTRUMENTATION LINE

PUMPS PSR08A AND PSR08B SECTORS 7 AND 8

NO SCALE

NOTE: THIS DRAWING ORIGINALLY FACILITY DRAWING NUMBER J0400-1178-E-P004 SHEET 4 OF 20



ITEM	DRAWING / PART NUMBER	NOMENCLATURE OR DESCRIPTION	MATERIAL / SPEC	QTY
PARTS LIST / BILL OF MATERIALS				
UNLESS OTHERWISE SPECIFIED: ALL DIMENSIONS ARE IN INCHES		DRAWN BY: H.P. CZERWINSKI	DATE: 01/10/96	<p>THIS DRAWING IS THE PROPERTY OF <b>ARGONNE NATIONAL LABORATORY</b> ADVANCED PHOTON SOURCE</p>
TOLERANCES:		CHECKED BY: E. SWETIN	DATE: 2/22/96	
DECIMALS: .X ±.1 .XX ±.01 .XXX ±.005		DESIGNED BY:	DATE:	
ANGULAR: ±.05°		RESPONSIBLE ENGINEER: E. SWETIN	DATE: 2/22/96	
SURFACE ROUGHNESS: 125		GROUP LEADER: S. SHARMA	DATE: 2/23/96	TITLE: ACCELERATOR SYSTEMS DIVISION PIPING & INSTRUMENTAL DIAGRAM EXPERIMENTAL HALL SECTORS 07 & 08 PUMPS P-505 & P-506
REMOVE ALL BURRS AND BREAK SHARP EDGES .03 MAX. SURFACE TEXTURE TO BE IN ACCORDANCE WITH LATEST ANSI B46.1. DIMENSIONING & TOLERANCING IN ACCORDANCE WITH LATEST ANSI Y14.5		APPROVED BY:	DATE:	SIZE: D
MATERIAL: SEE PART LIST		APPROVED BY:	DATE:	FSCM No. OHRH5
ELECTRONIC FILE NAME: A2402301		APPROVED BY:	DATE:	DRAWING NUMBER: 31-100400
				REV. 01
				SCALE: 1:1
				DO NOT SCALE DRAWING
				SHEET: 1 of 1