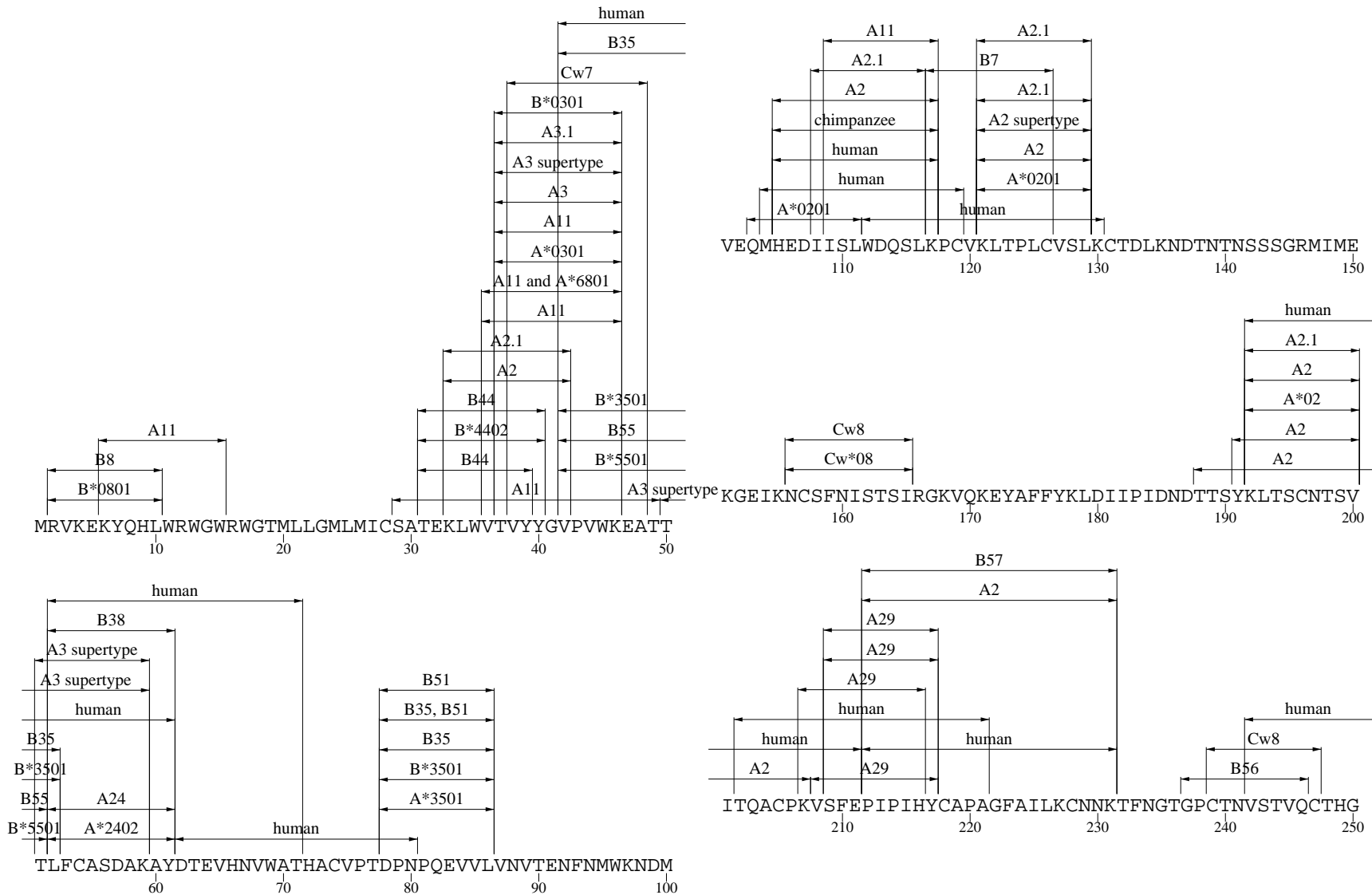
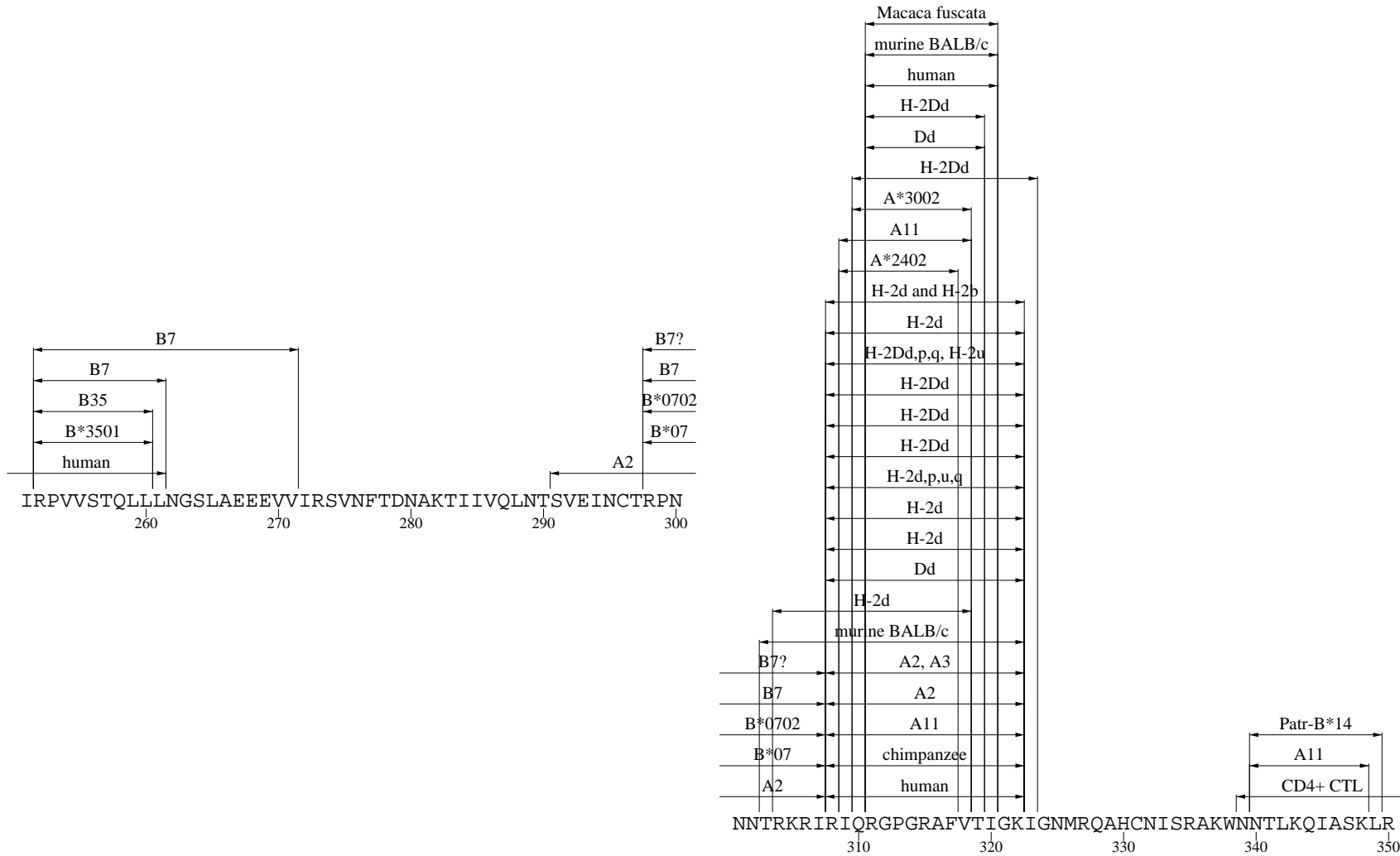


gp160 CTL Map

CTL

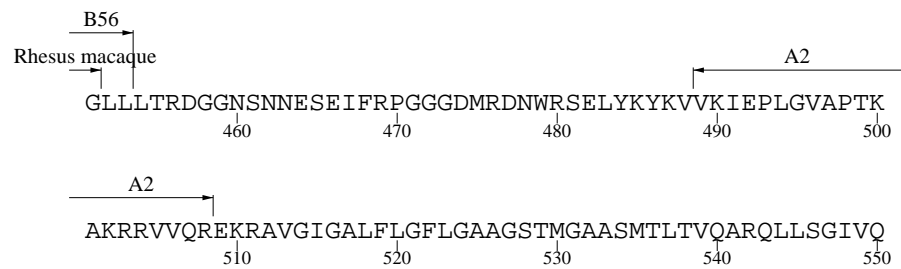
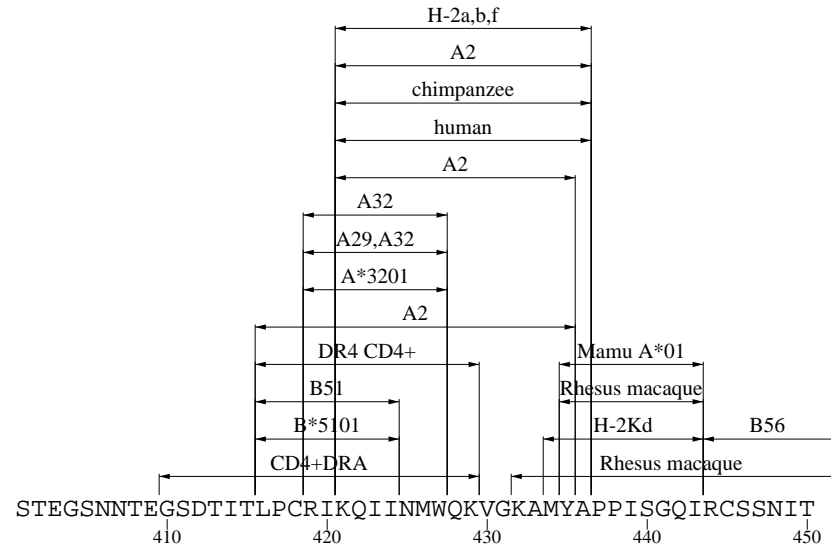
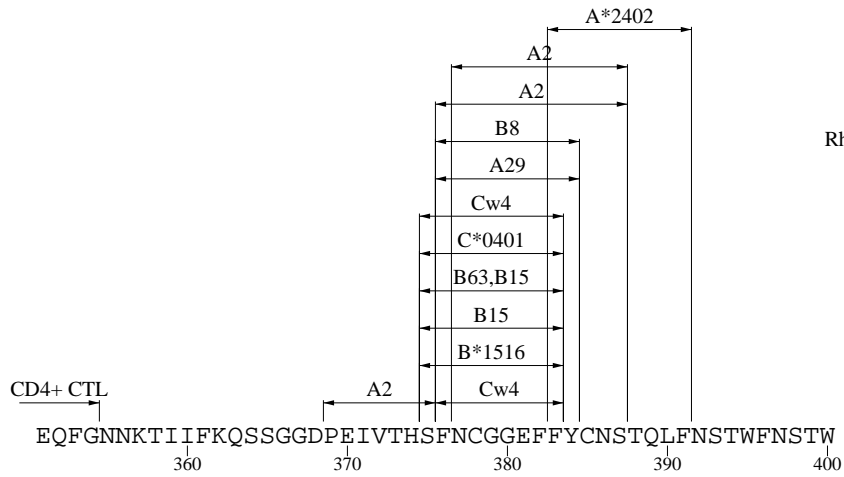
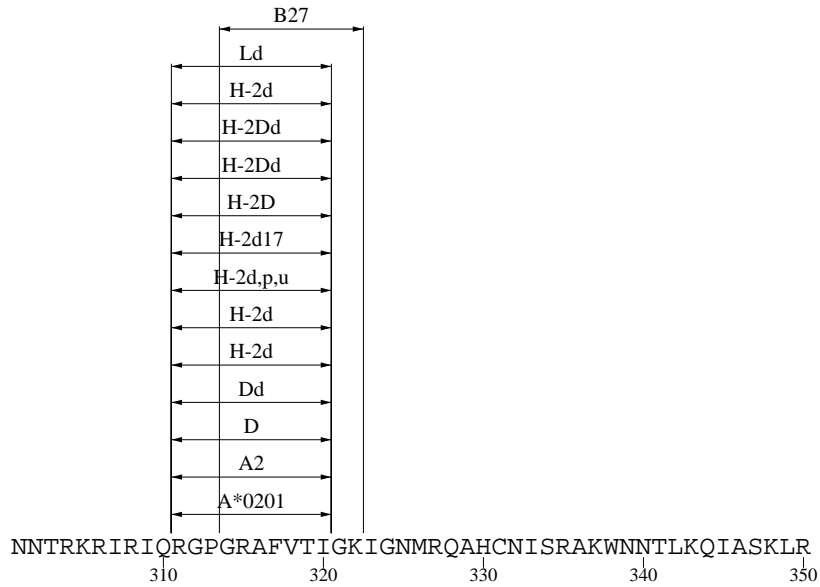


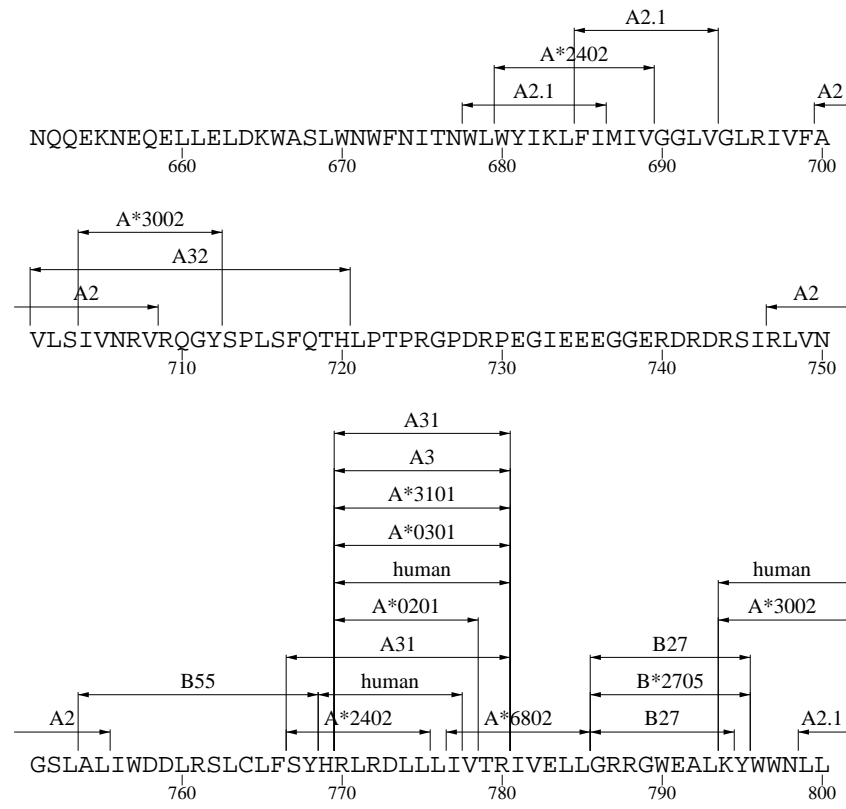
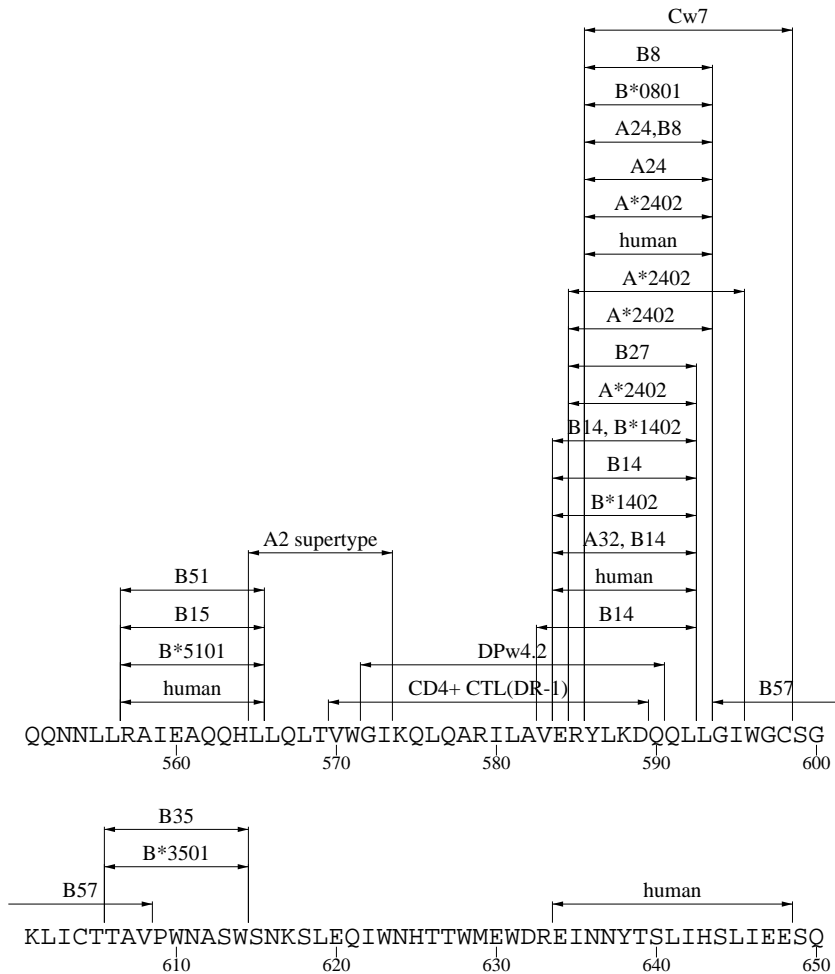
CTL



HIV CTL Protein Maps

CTL





CTL

Nef CTL Map

CTL

