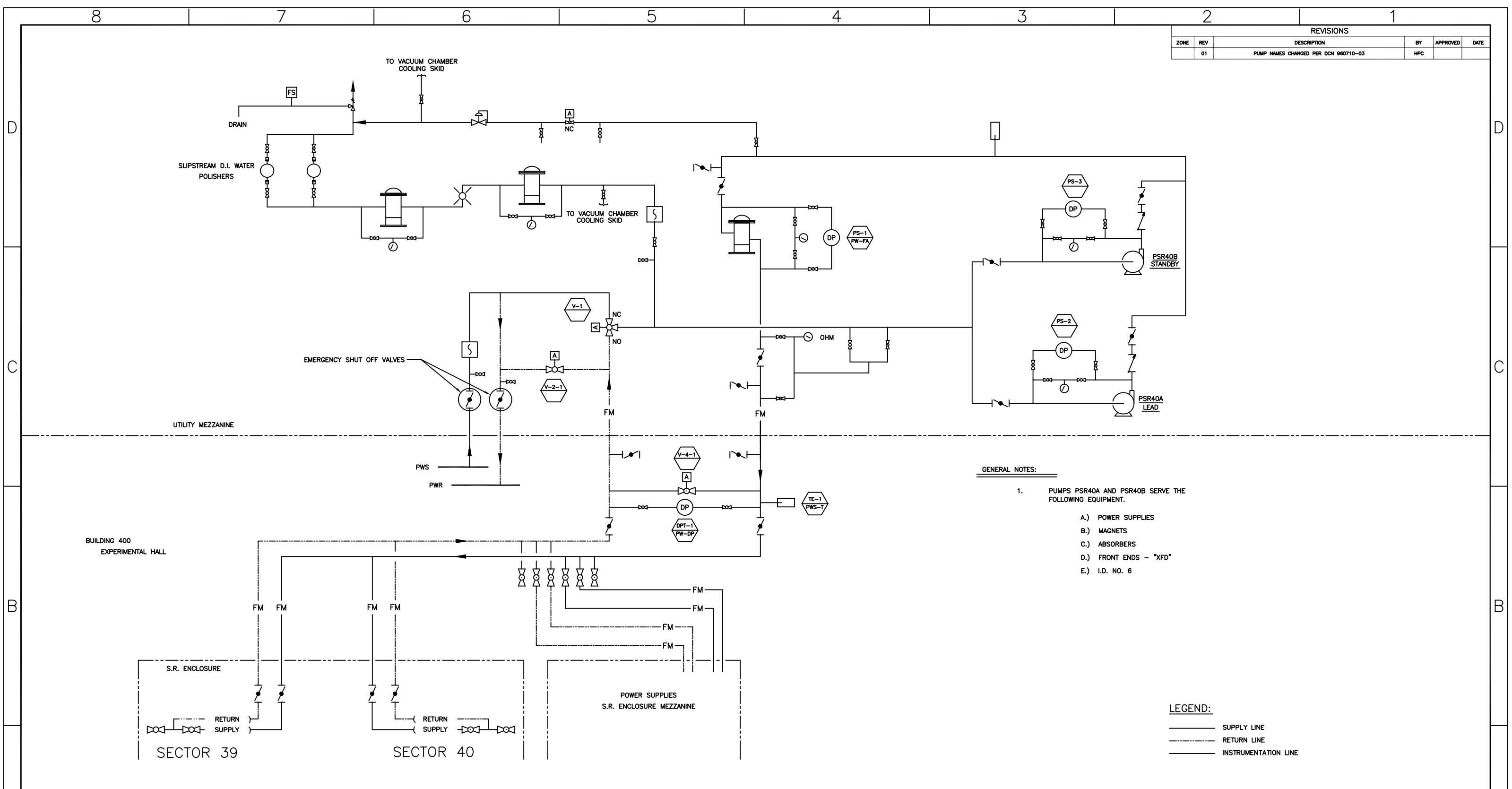


REVISIONS					
ZONE	REV	DESCRIPTION	BY	APPROVED	DATE
	01	PUMP NAMES CHANGED PER DCN 960710-03	HPC		



- GENERAL NOTES:**
- PUMPS PSR40A AND PSR40B SERVE THE FOLLOWING EQUIPMENT.
 - A.) POWER SUPPLIES
 - B.) MAGNETS
 - C.) ABSORBERS
 - D.) FRONT ENDS - "XFD"
 - E.) I.D. NO. 6

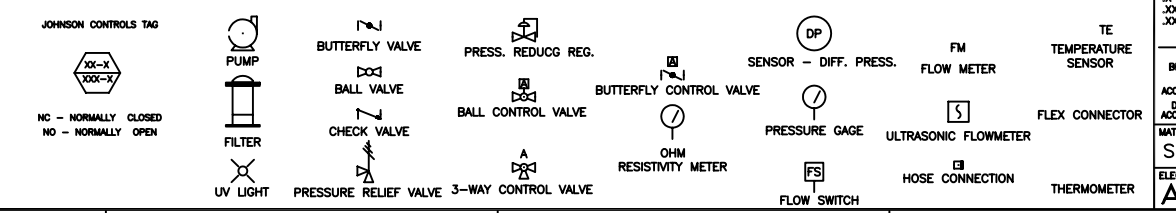
LEGEND:

- SUPPLY LINE
- - - RETURN LINE
- · - · INSTRUMENTATION LINE

PUMPS PSR40A AND P-SR40B SECTORS 39 AND 40

NO SCALE

NOTE: THIS DRAWING ORIGINALLY FACILITY DRAWING NUMBER J0400-1194-E-P020 SHEET 20 OF 20



ITEM	DRAWING / PART NUMBER	NOMENCLATURE OR DESCRIPTION	MATERIAL / SPEC	QTY
PARTS LIST / BILL OF MATERIALS				
UNLESS OTHERWISE SPECIFIED: ALL DIMENSIONS ARE IN INCHES		DRAWN BY: H.P. CZERWINSKI CHECKED BY: E. SWETIN DESIGNED BY: SWETIN EUGENE RESPONSIBLE ENGINEER: SWETIN EUGENE GROUP LEADER: S. SHARMA APPROVED BY:	DATE: 01/10/96 DATE: 2/22/96 DATE: 2/22/96 DATE: 2/23/96 DATE:	THIS DRAWING IS THE PROPERTY OF ARGONNE NATIONAL LABORATORY ADVANCED PHOTON SOURCE TITLE: PIPING & INSTRUMENT DIAGRAM PIPING & INSTRUMENT DIAGRAM EXPERIMENTAL HALL SECTORS 39 & 40 PUMPS PSR40A & PSR40B
DECIMALS: .X ± .01, .XX ± .01, .XXX ± .005 ANGULAR: ± .05° SURFACE ROUGHNESS: 125 REMOVE ALL BURRS AND BREAK SHARP EDGES .03 MAX. SURFACE TEXTURE TO BE IN ACCORDANCE WITH LATEST ANSI B46.1 DIMENSIONING & TOLERANCING IN ACCORDANCE WITH LATEST ANSI Y14.5		APPROVED BY:	DATE:	DATE:
MATERIAL: SEE PART LIST		APPROVED BY:	DATE:	DATE:
ELECTRONIC FILE NAME: A2403901		APPROVED BY:	DATE:	DATE:
SIZE: D		FORM No. 0HRH5		DRAWING NUMBER: 31-102000
SCALE: 1:1		DO NOT SCALE DRAWING		SHEET: 1 of 1