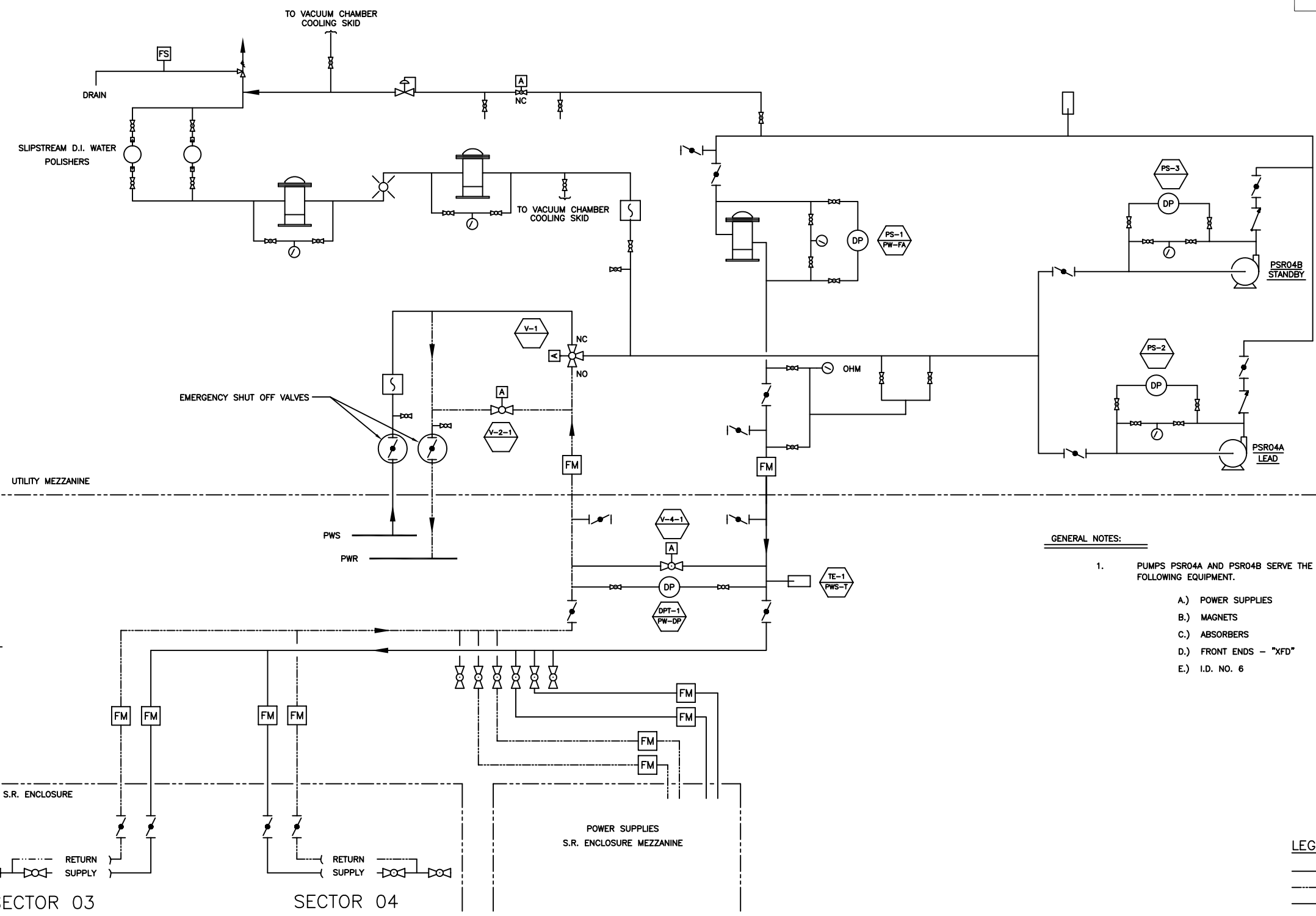


REVISIONS					
ZONE	REV	DESCRIPTION	BY	APPROVED	DATE
	01	PUMP NAMES CHANGED PER DCN 960710-03	HPC		



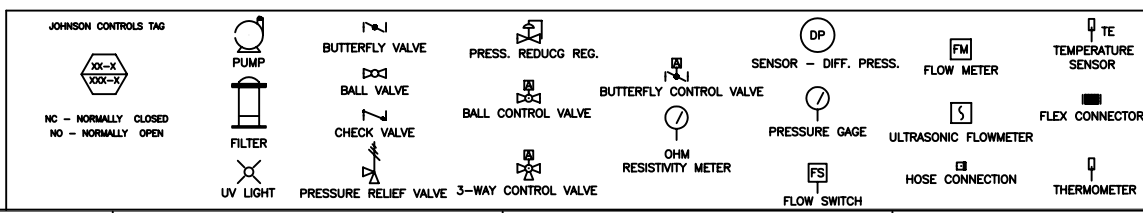
- GENERAL NOTES:**
- PUMPS PSR04A AND PSR04B SERVE THE FOLLOWING EQUIPMENT.
 - A.) POWER SUPPLIES
 - B.) MAGNETS
 - C.) ABSORBERS
 - D.) FRONT ENDS - "XFD"
 - E.) I.D. NO. 6

- LEGEND:**
- SUPPLY LINE
 - - - RETURN LINE
 - INSTRUMENTATION LINE

PUMPS PSR04A AND PSR04B SECTORS 3 AND 4

NO SCALE

NOTE: THIS DRAWING ORIGINALLY FACILITY DRAWING NUMBER J0400-1176-E-P002 SHEET 2 OF 20



ITEM	DRAWING / PART NUMBER	NOMENCLATURE OR DESCRIPTION	MATERIAL / SPEC	QTY
PARTS LIST / BILL OF MATERIALS				
UNLESS OTHERWISE SPECIFIED: ALL DIMENSIONS ARE IN INCHES		DRAWN BY: H.P. CZERWINSKI	DATE: 01/10/96	<p>THIS DRAWING IS THE PROPERTY OF ARGONNE NATIONAL LABORATORY ADVANCED PHOTON SOURCE</p>
TOLERANCES:		CHECKED BY: E. SWETIN	DATE: 2/22/96	
DECIMALS: .X ±.01		DESIGNED BY: CZERWINSKI HOWARD	DATE:	
.XXX ±.005		RESPONSIBLE ENGINEER: SWETIN EUGENE	DATE: 2/22/96	
SURFACE ROUGHNESS: 125		GROUP LEADER: S. SHARMA	DATE: 2/23/96	
REMOVE ALL BURRS AND BREAK SHARP EDGES .03 MAX. SURFACE TEXTURE TO BE IN ACCORDANCE WITH LATEST ANSI B46.1. DIMENSIONING & TOLERANCING IN ACCORDANCE WITH LATEST ANSI Y14.5		APPROVED BY:	DATE:	<p>TITLE: PIPING & INSTRUMENT DIAGRAM PIPING & INSTRUMENT DIAGRAM EXPERIMENTAL HALL SECTORS 03 & 04 PUMPS PSR04A PSR04B</p>
MATERIAL:		APPROVED BY:	DATE:	<p>SIZE: FSCM No. D OHRH5</p>
ELECTRONIC FILE NAME: A2402101		APPROVED BY:	DATE:	<p>DRAWING NUMBER: 31-100200</p>
				<p>REV. 01</p>
				<p>SCALE: 1:1 DO NOT SCALE DRAWING SHEET: 1 of 1</p>