

Test Report for FCC

FCC ID:BEJ52LG60UA

Report Number		ESTF150802-003			
Applicant	Company name	LG Electronics USA			
	Address	1000 Sylvan Avenue Englewood Cliffs, NJ 07632			
	Telephone	847-941-8373			
Product	Product name	LCD TV/MONITOR			
	Model name	52LG60	Manufacturer	LG Electronics Inc.	
	Serial number	NONE	Country of origin	KOREA	
Test date	11-Feb-08		Date of issue	13-Feb-08	
Testing location	ESTECH. Co., Ltd. 97-1 Hoiuk-Ri Majang-Myon, Icheon-city, KyungKi-Do, Korea				
Standard	FCC PART 15 2007 , ANSI C 63.4 2003 , ICES-003				
Test item	Conducted Emission	Class A	Class B	Test result	OK
	Radiated Emission	Class A	Class B	Test result	OK
Measurement facility registration number		94696			
Tested by	Engineer M.J.Song		(Signature)		
Reviewed by	Engineering Manager J.M.Yang		(Signature)		
Abbreviation	OK, Pass = Passed, Fail = Failed, N/A = not applicable				
<p>* Note</p> <ul style="list-style-type: none"> - This test report is not permitted to copy partly without our permission - This test result is dependent on only equipment to be used - This test result based on a single evaluation of one sample of the above mentioned 					

Contents

1. Laboratory Information	3
2. Description of EUT	4
3. Test Standards	5
4. Measurement condition	6
5. Measurement of radiated emission	8
5.1 Measurement equipment	8
5.2 Environmental conditions	8
5.3 Test data	9
5.4 Test data	10
6. Measurement of conducted emission	11
6.1 Measurement equipment	11
6.2 Environmental conditions	11
6.3 Test data	12
7. Photographs of test setup	13
8. Photographs of EUT	15

Appendix 1. Spectral diagram



1. Laboratory Information

1.1 General

This EUT (Equipment Under Test) has been shown to be capable of compliance with the applicable technical standards and is tested in accordance with the measurement procedures as indicated in this report. ESTECH Lab attests to accuracy of test data. All measurement reported herein were performed by ESTECH Co., Ltd.

ESTECH Lab assume full responsibility for the completeness of these measurements and vouch for the qualifications of all persons taking them.

1.2 Test Lab.

Corporation Name : ESTECH Co. Ltd

Head Office : Rm 1015, World Venture Center II, 426-5, Gasan-dong, Geumcheon-gu, Seoul, Korea
(Safety & Telecom. Test Lab)

EMC Test Lab : 58-1 Osan-Ri, GaNam-Myon, YeoJoo-Gun, KyungKi-Do, Korea
97-1 Hoiuk-Ri Majang-Myon, Icheon-city, KyungKi-Do, Korea

1.3 Official Qualification(s)

MIC : Granted Accreditation from Ministry of Information & Communication for EMC, Safety and Telecommunication

KOLAS : Accredited Lab By Korea Laboratory Accreditation Schema base on CENELEC requirements

FCC : Filed Laboratory at Federal Communications Commission

VCCI : Granted Accreditation from Voluntary Control Council for Interference from ITE

2. Description of EUT

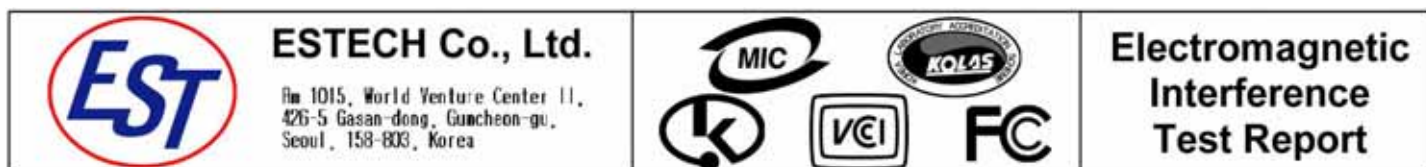
2.1 Summary of Equipment Under Test

Product Name : LCD TV/MONITOR
 Model Number : 52LG60
 Serial Number : NONE
 Manufacturer : LG Electronics Inc.
 Country of origin : KOREA
 Rating : INPUT:AC100-240V ~ 50 /60Hz
 Receipt Date : 2008-02-11
 X-tal lists : 20.25MHz, 4MHz, 54MHz, 24MHz

2.2 General descriptions of EUT

MODELS		47LG60 (47LG60-UA)	52LG60 (52LG60-UA)	Resolution	Horizontal Frequency(KHz)	Vertical Frequency(Hz)
Dimensions (Width x Height x Depth)	With stand	45.3 x 34.1 x 17.1 inches 1152.8 x 868.6 x 434.5 mm	50.3 x 37.1 x 16.9 inches 1280.1 x 944.7 x 430.0 mm	640x350	31.468	70.09
	Without stand	45.3 x 32.3 x 3.1 inches 1152.8 x 820.8 x 79.0 mm	50.3 x 35.2 x 3.5 inches 1280.1 x 896.0 x 89.0 mm	720x400	31.469	70.08
Weight	With stand	72.3 pounds / 32.8 kg	99.2 pounds / 45 kg	640x480	31.469	59.94
	Without stand	59.9 pounds / 27.2 kg	83.9 pounds / 38.1 kg		37.500	75.00
Power requirement		AC100-240V ~ 50/60Hz		800x600	37.861	72.80
Television System		NTSC-M, ATSC, 64 & 256 QAM			35.156	56.25
Program Coverage		VHF 2-13, UHF 14-69, CATV 1-135, DTV 2-69, CADTV 1-135			37.879	60.31
External Antenna Impedance		75 ohm		46.875	75.00	
Environment condition	Operating Temperature	32 ~ 104°F (0 ~ 40°C)		1024x768	48.077	72.18
	Operating Humidity	Less than 80%			48.363	60.00
	Storage Temperature	-4 ~ 140°F (-20 ~ 60°C)			56.476	70.06
	Storage Humidity	Less than 85%			60.023	75.02
				1280x768	47.776	59.87
					60.289	74.893*
				1280x1024	63.981	60.02
					79.976	75.025
				1360x768	47.712	60.015
				1600x1200	75.00	60.00
				1920x1080	67.5	60.00

* Only RGB-PC mode



3. Test Standards

Test Standard : FCC PART 15 (2007) & ICES-003

This Standard sets out the regulations under which an intentional, unintentional, or incidental radiator may be operated without an individual license. It also contains the technical specifications, administrative requirements and other conditions relating to the marketing of Part 15 devices.

Test Method : ANSI C 63.4 (2003)

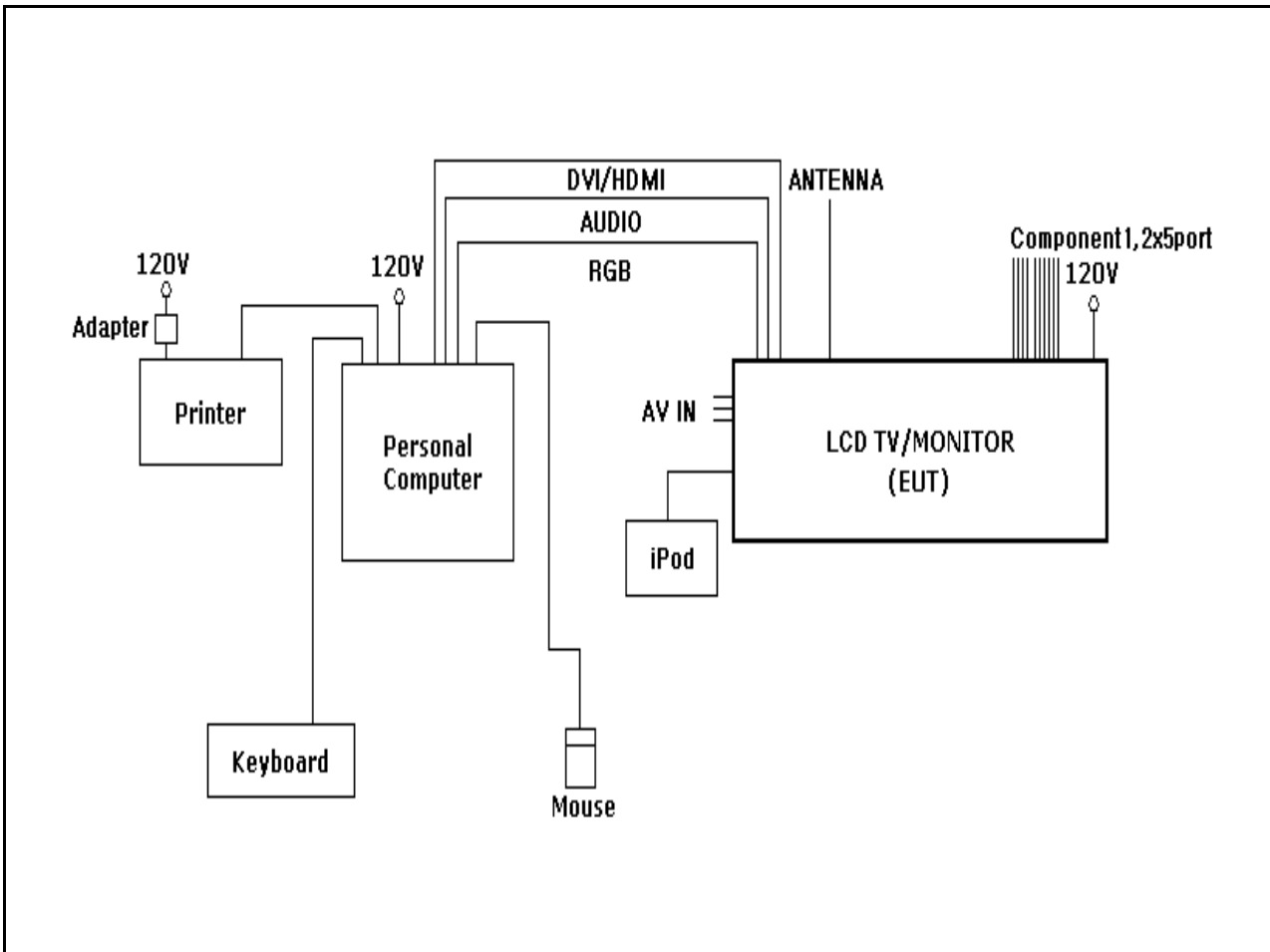
This standard sets forth uniform methods of measurement of radio-frequency (RF) signals and noise emitted from both unintentional and intentional emitters of RF energy in the frequency range 9 kHz to 40 GHz. Methods for the measurement of radiated and AC power-line conducted radio noise are covered and may be applied to any such equipment unless otherwise specified by individual equipment requirements. These methods cover measurement of certain devices that deliberately radiate energy, such as intentional emitters, but does not cover licensed transmitters. This standard is not intended for certification/approval of avionic equipment or for industrial, scientific, and medical (ISM) equipment. These methods apply to the measurement of individual units or systems comprised of multiple units.

4. Measurement Condition

4.1 EUT Operation.

- * The EUT was in the following operation mode during all testing
- * The operational conditions of the EUT was determined by the manufacturer according to the typical use of the EUT with respect to the expected highest level of emission
- * After setting as test arrangement diagram, we tested the EUT under continuous displaying "H" character and playing Audio out /Video

4.2 Configuration and Peripherals



4.3 EUT and Support equipment

Equipment Name	Model Name	S/N	Manufacturer	Remark (FCC ID)
LCD TV/MONITOR	52LG60	NONE	LG Electronics Inc.	EUT
Personal Computer	DCSM	6RDJ1S	Dell Asia Pacific Sdn.	-
Printer	MJC - 5750	NA34BFFP313402V	SAMSUNG ELECTRONICS(SHANDONG) DIGITAL PRINTING CO.,LTD.	-
Keyboard	SK-8115	NONE	Dell Asia Pacific Sdn.	-
Mouse	Wheel Mouse Optical	3902C693	Microsoft	-
iPod	A1136	9C6453A6V9K	Apple Computer Inc.	-
Adapter	PA8040WB	0703016518	Bestec Electronics (Dongguan)Co.,Ltd.	-

4.4 Cable Connecting

Start Equipment		End Equipment		Cable Standard		Remark
Name	I/O port	Name	I/O port	Length	Shielded	
LCD TV/MONITOR	RGB	Personal Computer	RGB	2	Y	
LCD TV/MONITOR	DVI	Personal Computer	DVI	2	Y	
LCD TV/MONITOR	AUDIO	Personal Computer	AUDIO	2	N	
LCD TV/MONITOR	COMPONENT 1 x 5port	-	-	2	N	
LCD TV/MONITOR	COMPONENT 2 x 5port	-	-	2	N	
LCD TV/MONITOR	Antenna	-	-	2	N	
Personal Computer	USB	Keyboard	USB	2	Y	
Personal Computer	USB	Mouse	USB	2	Y	
Personal Computer	USB	Printer	USB	2	Y	
LCD TV/MONITOR	USB	iPod	USB	1	Y	
Printer	POWER	Adapter	-	2	N	

5. Measurement of radiated disturbance

Above 30 MHz Electric Field strength was measured in accordance with FCC Part 15 (2007) & ICES-003. The test setup was made according to ANSI C 63.4 (2003) on an open test site, which allows a 3m distance measurement. The EUT was placed in the center of wooden turntable. The height of this table was 0.8m. The measurement was conducted with both horizontal and vertical antenna polarization. The turntable has fully rotated. For further description of the configuration refer to the picture of the test setup.

5.1 Measurement equipments

Equipment Name	Type	Manufacturer	Serial No.	Next Calibration date
TEST Receive	ESVS10	Rohde & Schwarz	838562/002	2009. 1. 23
Spectrum Analyzer	R3261C	ADVANTEST	61720116	2008. 4. 20
LogBicon Antenna	VULB 9160	Schwarzbeck	3142	2008. 5. 07
Amplifier	8447F	HP	2805A02972	2008. 6. 26
Turn Table	2087	EMCO	2129	-
Antenna Mast	2070-01	EMCO	9702-203	-
ANT Mast Controller	2090	EMCO	1535	-
Turn Table Controller	2090	EMCO	1535	-

5.2 Environmental Condition

Test Place : Open site(3m)
 Temperature (°C) : 3
 Humidity (%) : 35 %

5.4 Test data

Test Date : 11-Feb-08

Measurement Distance : 3 m

Frequency (MHz)	Reading (dB μ V)	Position (V/H)	Height (m)	Correction Factor		Result Value		
				Ant Factor (dB)	Cable (dB)	Limit (dB μ V/m)	Result (dB μ V/m)	Margin (dB)
36.01	22.00	V	1.0	12.46	1.0	40.0	35.44	-4.56
80.43	23.40	V	1.0	8.76	1.4	40.0	33.56	-6.44
108.24	16.20	H	2.8	10.92	1.6	43.5	28.74	-14.76
132.36	17.70	H	2.2	12.80	1.8	43.5	32.29	-11.21
151.52	22.10	H	1.8	13.90	1.8	43.5	37.82	-5.68
158.72	24.00	H	1.7	13.88	1.9	43.5	39.80	-3.70
173.17	22.30	V	1.0	13.05	2.0	43.5	37.38	-6.12
216.02	16.30	H	1.4	10.68	2.4	46.0	29.34	-16.66
240.03	10.80	H	1.0	11.71	2.5	46.0	25.03	-20.97
265.85	18.90	H	1.0	12.33	2.7	46.0	33.93	-12.07
281.36	13.00	V	1.0	12.84	2.8	46.0	28.64	-17.36
332.32	13.50	H	1.0	13.92	3.2	46.0	30.60	-15.40
398.78	12.30	V	1.0	15.29	3.6	46.0	31.17	-14.83
480.72	13.00	V	1.2	16.90	4.1	46.0	34.00	-12.00
540.84	6.80	H	1.0	17.70	4.4	46.0	28.94	-17.06
578.23	12.40	V	1.0	18.58	4.6	46.0	35.56	-10.44
620.01	7.00	H	1.0	19.20	4.9	46.0	31.09	-14.91
722.37	10.00	H	1.0	20.56	5.6	46.0	36.13	-9.87
800.00	9.20	V	1.8	21.76	5.9	46.0	36.86	-9.14

Remark	H : Horizontal, V : Vertical TEST MODE ; Resolution 1920*1080(60Hz) at DVI mode (Worse Case) *CL = Cable Loss - Amplifier Gain(In case of above1000Mhz) *CL = Cable Loss(In case of below1000Mhz) *The resolution bandwidth and video bandwidth of test receiver/spectrum analyzer is 120KHz for Quasi-peak detection at frequency below 1GHz. *After connect with ferrite cores to RGB cable, tested radiated emission.
--------	--

6. Measurement of conducted disturbance

The continuous disturbance voltage of AC Mains in the frequency from 0.15 to 30 MHz was measured in accordance to FCC Part 15 (2007) & ICES-003. The test setup was made according to ANSI C 63.4 (2003) in a shielded. The EUT was placed on a non-conductive table at least 80 cm above the ground plane. A grounded vertical reference plane was positioned in a distance of 40 cm from the EUT. The distance from the EUT to other metal surfaces was at least 0.8 m. The EUT was only earthed by its power cord through the line impedance stabilizing network. The power cord has been bundled to a length of 1.0 m. The test receiver with Quasi Peak detector complies with CISPR 16.

6.1 Measurement equipments

Equipment Name	Type	Manufacturer	Serial No.	Next Calibration date
LISN	NNLA8120A	Schwarzbeck	8120161	2008. 2. 28
LISN	ESH3-Z5	Schwarzbeck	838979/010	2008. 2. 28
TEST Receive	ESP17	Rohde & Schwarz	100185	2008. 8. 27
Pulse Limiter	ESH3Z2	Rohde & Schwarz	NONE	-

6.2 Environmental Condition

Test Place : Shield Room
 Temperature (°C) : 19
 Humidity (%) : 34 %



ESTECH Co., Ltd.

Rm 1015, World Venture Center II,
426-5 Gasan-dong, Guncheon-gu,
Seoul, 158-803, Korea



**Electromagnetic
Interference
Test Report**

6.3 Test data

Test Date : 11-Feb-08

Frequency (MHz)	Correction Factor		Line (H/N)	Quasi-peak Value			Average Value		
	Lisn (dB)	Cable (dB)		Limit (dB μ V)	Reading (dB μ V)	Result (dB μ V)	Limit (dB μ V)	Reading (dB μ V)	Result (dB)
0.15	0.17	0.0	N	65.78	49.18	49.39	55.78	35.91	36.12
0.16	0.17	0.0	H	65.57	48.06	48.27	55.57	34.51	34.72
0.17	0.16	0.0	N	64.82	46.70	46.90	54.82	27.59	27.79
0.20	0.15	0.0	N	63.78	42.11	42.31	53.78	24.96	25.16
0.22	0.15	0.0	H	62.67	35.06	35.25	52.67	22.43	22.62
0.23	0.15	0.0	N	62.63	33.96	34.15	52.63	22.30	22.49
0.63	0.15	0.1	H	56.00	21.40	21.66	46.00	16.51	16.77
0.69	0.16	0.1	N	56.00	21.38	21.65	46.00	16.51	16.78
0.78	0.16	0.1	N	56.00	21.63	21.92	46.00	20.81	21.10
0.87	0.19	0.1	N	56.00	21.79	22.12	46.00	17.15	17.48
1.20	0.26	0.2	N	56.00	23.49	23.93	46.00	18.65	19.09
1.35	0.26	0.2	H	56.00	24.32	24.78	46.00	17.40	17.86
5.88	0.42	0.5	N	60.00	10.83	11.78	50.00	6.02	6.97
6.25	0.43	0.5	H	60.00	11.68	12.66	50.00	5.82	6.80
7.62	0.50	0.6	N	60.00	10.81	11.92	50.00	5.49	6.60
8.78	0.57	0.7	H	60.00	13.66	14.91	50.00	8.32	9.57
16.71	0.86	1.0	H	60.00	15.02	16.93	50.00	8.81	10.72
25.12	0.93	1.3	H	60.00	14.71	16.95	50.00	5.74	7.98
Remark	<p>H : Hot Line, N : Neutral Line *After connect with ferrite cores to RGB cable, tested conducted emission.</p>								



ESTECH Co., Ltd.

Rm 1015, World Venture Center 11,
426-5 Gasan-dong, Guncheon-gu,
Seoul, 158-803, Korea



**Electromagnetic
Interference
Test Report**

7. Photographs of test setup

7.1 Setup for Radiated Test : 30 ~ 1000 MHz

[Front]



[Rear]

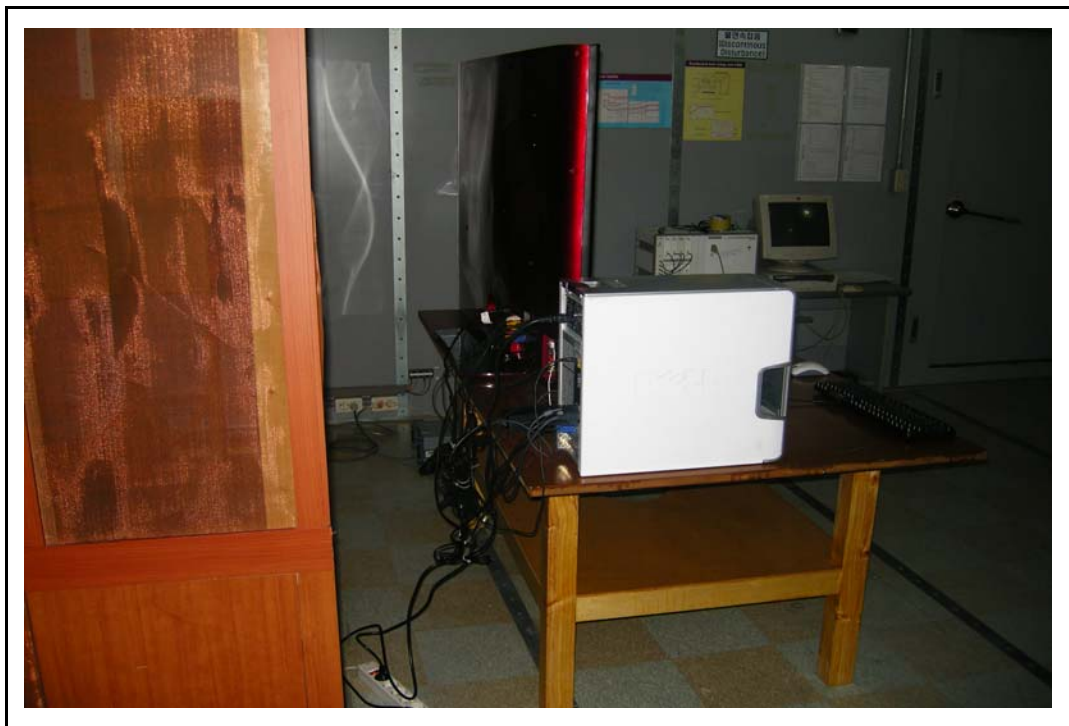


7.2 Setup for Conducted Test : 0.15 ~ 30 MHz

[Front]



[Rear]





ESTECH Co., Ltd.

Rm 1015, World Venture Center II,
426-5 Gasan-dong, Guncheon-gu,
Seoul, 158-803, Korea



**Electromagnetic
Interference
Test Report**

8. Photographs of EUT

[Front]



[Rear]



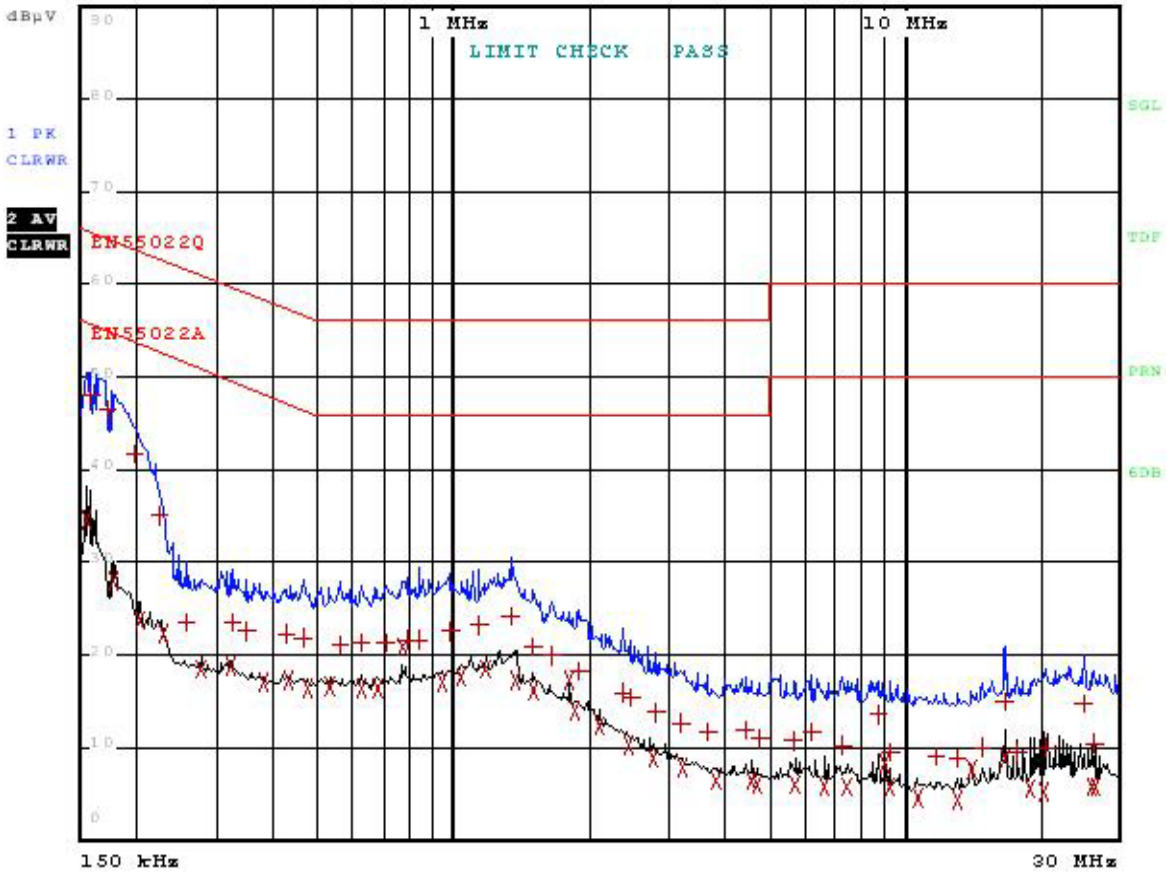
Appendix 1. Spectral diagram

*HOT



REW 9 kHz
MT 1 s

Att 10 dB AUTO PREAMP OFF



Comment: 52LG60_HOT

Date: 11.FEB.2006 13:43:16

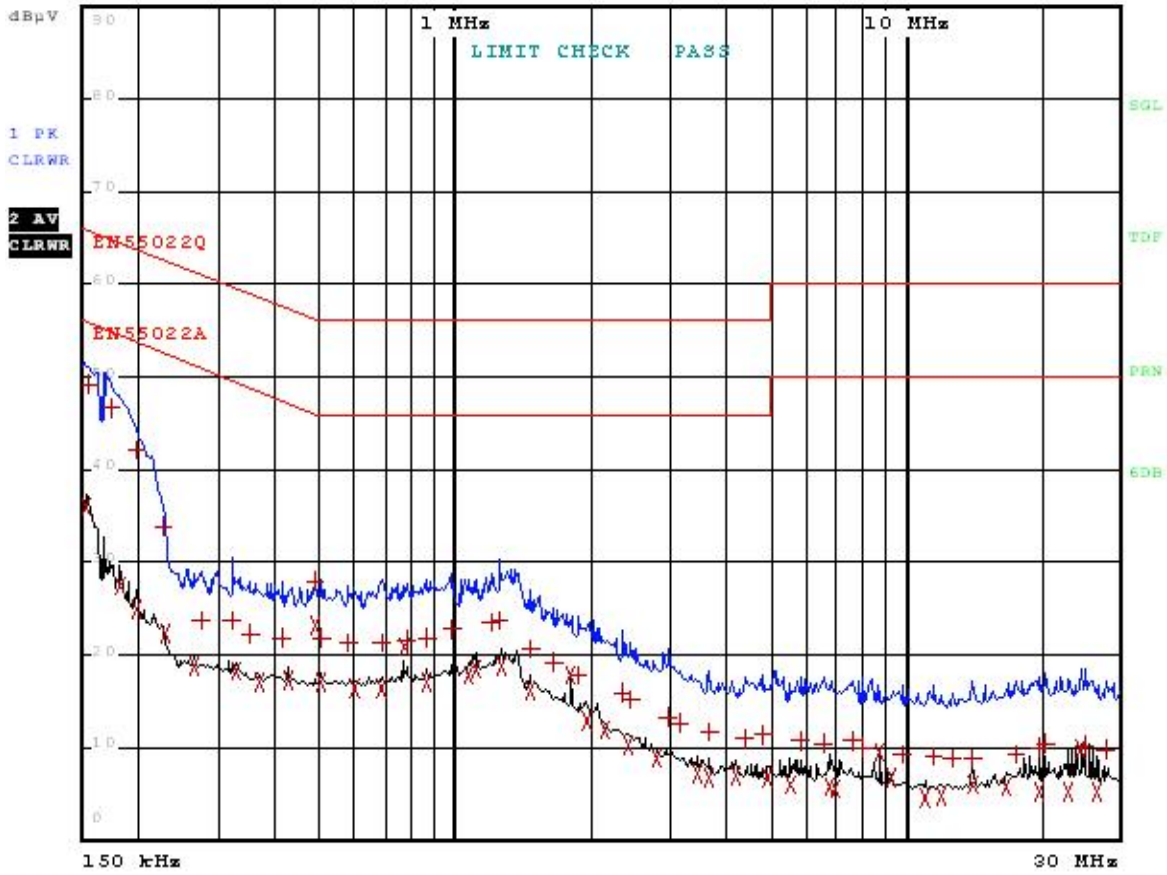
*NEUTRAL



RBW 9 kHz

MT 1 s

Att 10 dB AUTO PREAMP OFF



Comment: 52LG60_NEUTRAL

Date: 11.FEB.2008 13:37:11