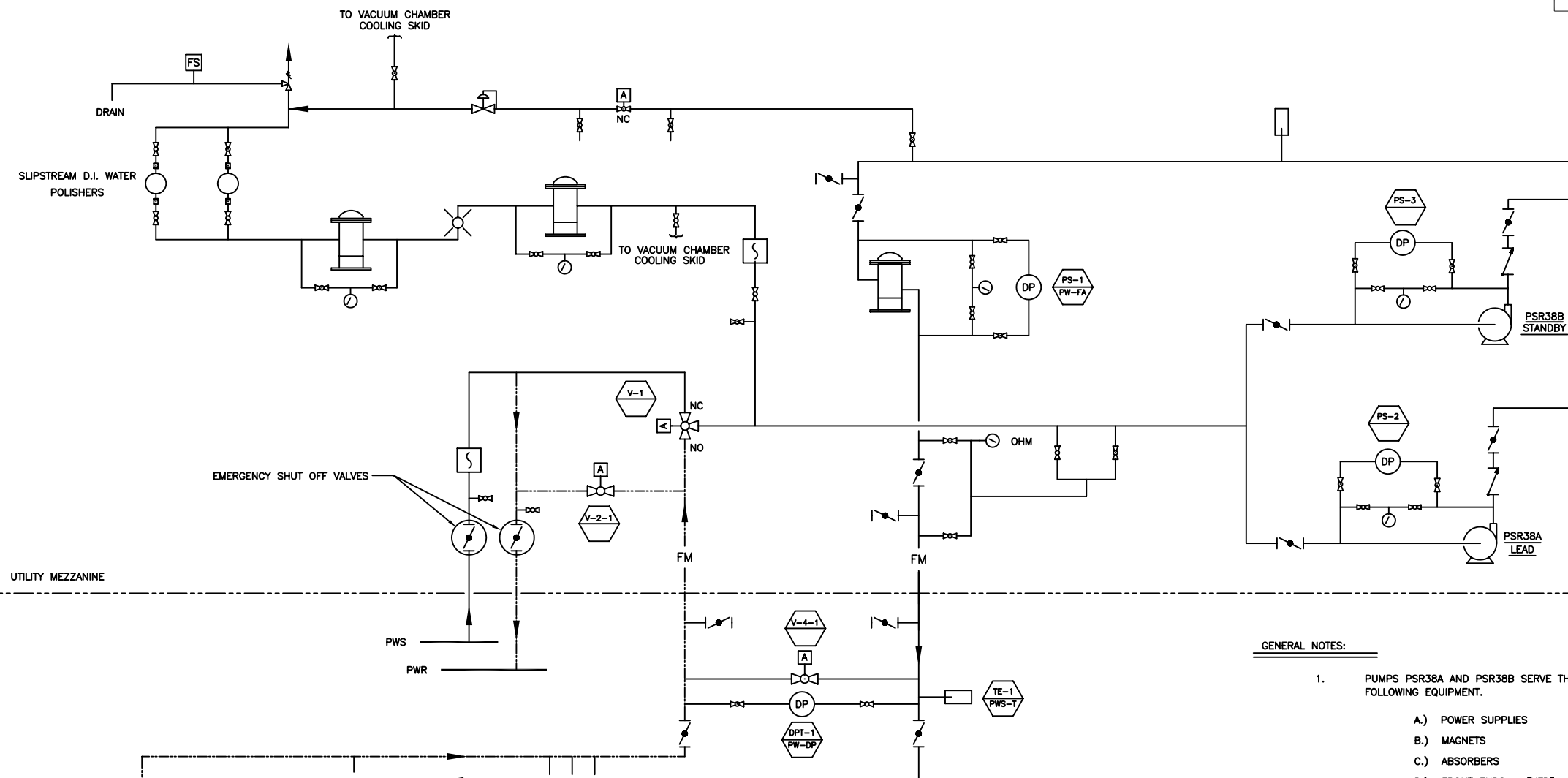


REVISIONS					
ZONE	REV	DESCRIPTION	BY	APPROVED	DATE
	01	PUMP NAMES CHANGED PER DCN 960710-03	HPC		

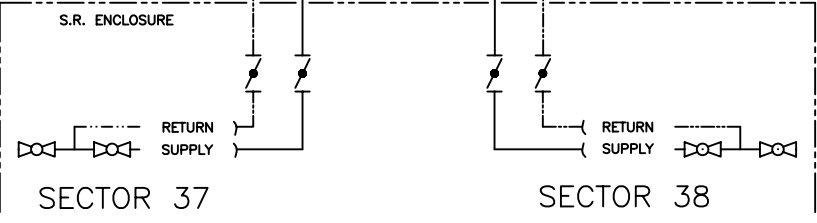


- GENERAL NOTES:**
- PUMPS PSR38A AND PSR38B SERVE THE FOLLOWING EQUIPMENT.
 - A.) POWER SUPPLIES
 - B.) MAGNETS
 - C.) ABSORBERS
 - D.) FRONT ENDS - "XFD"
 - E.) I.D. NO. 6

LEGEND:

	SUPPLY LINE
	RETURN LINE
	INSTRUMENTATION LINE

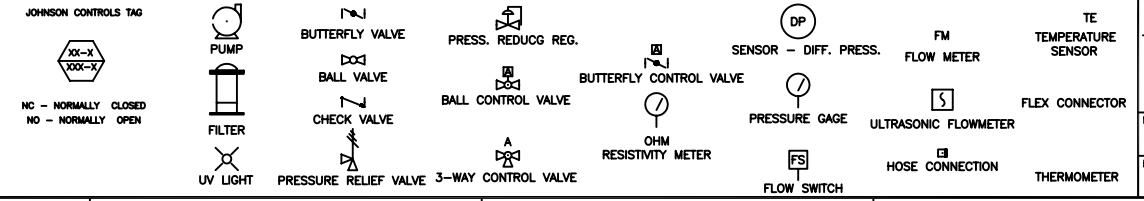
BUILDING 400
EXPERIMENTAL HALL



PUMPS PSR38A AND PSR38B SECTORS 37 AND 38

NO SCALE

NOTE: THIS DRAWING ORIGINALLY FACILITY DRAWING NUMBER J0400-1193-E-P019
SHEET 19 OF 20



ITEM	DRAWING / PART NUMBER	NOMENCLATURE OR DESCRIPTION	MATERIAL / SPEC	QTY
PARTS LIST / BILL OF MATERIALS				
UNLESS OTHERWISE SPECIFIED: ALL DIMENSIONS ARE IN INCHES TOLERANCES:		DRAWN BY: H.P. CZERWINSKI CHECKED BY: E. SWETIN DESIGNED BY: SWETIN EUGENE RESPONSIBLE ENGINEER: SWETIN EUGENE GROUP LEADER: S. SHARMA APPROVED BY:	DATE: 01/10/96 DATE: 2/22/96 DATE: 2/22/96 DATE: 2/23/96 DATE:	THIS DRAWING IS THE PROPERTY OF ARGONNE NATIONAL LABORATORY ADVANCED PHOTON SOURCE TITLE: PIPING & INSTRUMENT DIAGRAM PIPING & INSTRUMENT DIAGRAM EXPERIMENTAL HALL SECTORS 37 & 38 PUMPS PSR38A & PSR38B
DECIMALS: .X ± .01 .XX ± .005 .XXX ± .005 SURFACE ROUGHNESS: 125 REMOVE ALL BURRS AND BREAK SHARP EDGES .03 MAX. SURFACE TEXTURE TO BE IN ACCORDANCE WITH LATEST ANSI B46.1 DIMENSIONING & TOLERANCING IN ACCORDANCE WITH LATEST ANSI Y14.5		MATERIAL: SEE PART LIST ELECTRONIC FILE NAME: A2403801	APPROVED BY: DATE: SCALE: 1:1 APPROVED BY: DATE:	DRAWING NUMBER: 31-101900 REV. 01 DO NOT SCALE DRAWING SHEET: 1 of 1