

INTRODUCTORY NOTE

This directory contains the names and addresses of physicians who are authorized to perform physical examinations and issue airman medical certificates for the Administrator of the Federal Aviation Administration. This 2008 edition follows the same format as previous editions, and contains updated Aviation Medical Examiner information compiled through Mar. 10, 2008. All Aviation Medical Examiners listed in this directory are authorized to conduct airman physical examinations for Second and Third Class Medical Certificates. They are also authorized to issue the combined Medical-Student Pilot Certificate. Aviation Medical Examiners authorized to issue First Class Medical Certificates are identified by an (*) asterisk symbol.

Part 61 of the Federal Aviation Regulations describes the various types of airman operations and indicates the class of medical certification required.

Physicians interested in becoming Aviation Medical Examiners should request application forms from the FAA Regional Flight Surgeon.

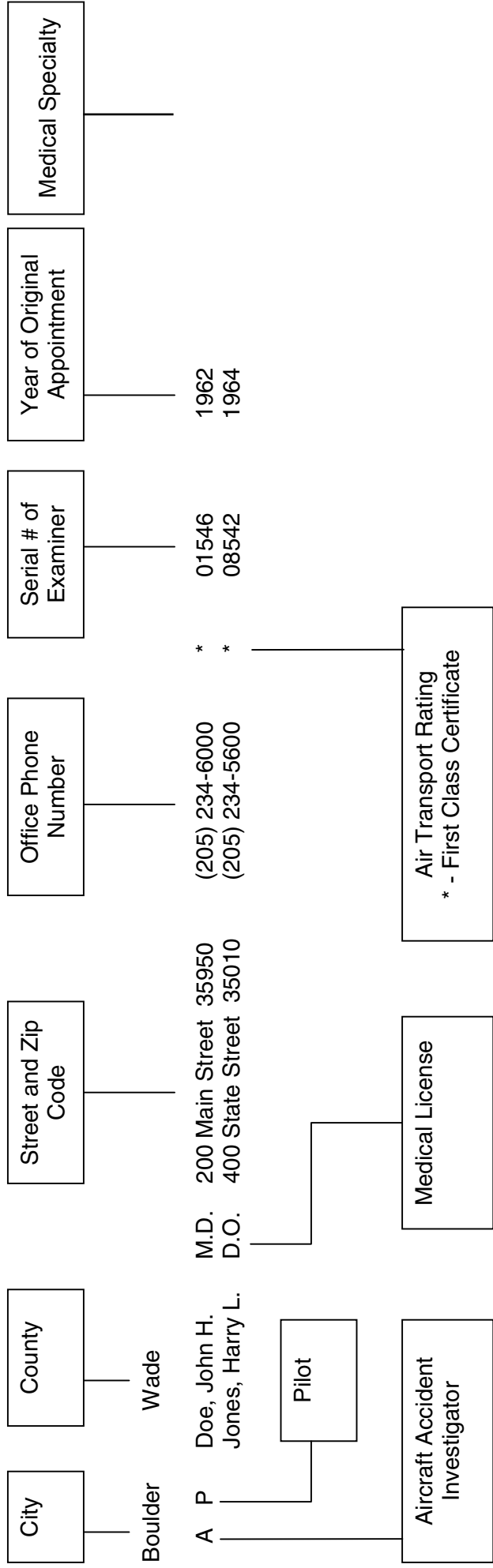
ALASKAN REGION

Willis M. Simmons Jr., M.D.
Regional Flight Surgeon, AAL-300
Federal Aviation Administration
222 West 7th Avenue, #14
Anchorage, Alaska 99513-7587

Telephone (907) 271-5431
FAX (907) 271-3769

Alaska is the only state in the Alaskan Region.

FORMAT OF AVIATION MEDICAL EXAMINER DIRECTORY



You should make requests for changes or Corrections to your Regional Flight Surgeon.

ALASKA

ANCHORAGE

ANCHORAGE

P	LITTLE, C JERRY	PRIMARY CARE ASSOCIATES, 4041 LAKE OTIS PKWY #322 ATTN TONI 99508-0000	(907) 562-1234	*	04346	1972	Family Practice/General Practice
	BOSVELD, ROBERT J	NORTHWEST MEDICAL PROF CORP, 2841 DEBARR RD STE 22 99508-0000	(907) 276-6301		04352	1972	Family Practice/General Practice
P	BASKOUS, ALEXANDER T	NORTHWEST MEDICAL, 2841 DEBARR RD STE 22 99508-0000	(907) 279-4953	*	04419	1982	Family Practice/General Practice
	FOLAND, MARY ANN	US HEALTHWORKS, 4100 LAKE OTIS #322 99508-0000	(907) 562-1234	*	04426	1983	Family Practice/General Practice
	TROMBLEY II, DALE J.	12350 INDUSTRY WAY #160 99515-0000	(907) 345-4342	*	13300	1978	Family Practice/General Practice
	MANWILLER, CHARLES E	DIAMOND MEDICAL CLINIC, LLC, 300 E. DIMOND BLVD. #12 99515-	(907) 248-1122		04284	1965	Family Practice/General Practice
	SMITH, JOHN J	FEDERAL OCCUPATIONAL HEALTH, 222 WEST 7TH #42 99513-0000	(907) 522-1341	*	04345	1972	Family Practice/General Practice
P	WORRELL, PAUL M	3650 LAKE OTIS PKWY STE 202 99508-0000	(907) 561-4402	*	04365	1982	Family Practice/General Practice
P	CHRISTENSEN, RONALD	9500 INDEPENDENCE DR STE 900 99507-4617	(907) 522-1341	*	04391	1978	Family Practice/General Practice
P	ADAMS, PETER B	DENALI OB-GYN CLINIC, 4001 DALE STREET SUITE #105 99508-0000	(907) 222-9930		06701	2002	Obstetrics/Gynecology
P	TILGNER, ARTHUR D	AVIATION MEDICAL SERVICES, 5011 SPENARD RD #102 99517-0000	(907) 245-4359	*	04343	1971	Family Practice/General Practice
	MAYER, LOUIS E	3300 PROVIDENCE DRIVE SUITE 301 99508-0000	(907) 563-3732	*	04347	1972	Family Practice/General Practice
P	TAYLOR, RICHARD R	MEDICAL PARK FAMILY CARE, 2211 E NORTHERN LIGHTS BLVD 99508-0000	(907) 279-8486	*	04417	1982	Family Practice/General Practice
A P	ILLIG, PETRA A	5011 SPENARD RD STE 102 99517-0000	(907) 245-4359	*	18825	1984	Emergency Medicine
P	WHITE, ROY M	2211 E NORTHERN LIGHTS BLVD 99508-0000	(907) 279-8486	*	04395	1978	Family Practice/General Practice
P	MEINHARDT, ERNEST J.	INDEPENDENCE PARK MEDICAL CLINIC, 9500 INDEPENDENCE DR STE 900 99507-4617	(907) 522-1341	*	04440	1985	Family Practice/General Practice
	AARONS, CHARLES L	2211 E NORTHERN LIGHTS BLVD 99508-0000	(907) 279-8486	*	04424	1982	Family Practice/General Practice
	RAGLE, WILLIAM H	ANCHORAGE MED & SURG CLNC 718 K STREET 99501-3331	(907) 272-2571	*	04410	1981	Internal Medicine
	LANZA, MARIO A.	ALEYESKA FAMILY MEDICINE, 3841 PIPER ST STE T3-162 99508-	(907) 258-1258	*	06718	2005	Family Practice/General Practice
P	WIGGINS, THOMAS T.	MEDICAL PARK FAMILY CARE, 2211 E. NORTHERN LIGHTS BLVD 99508-	(907) 279-8486		06716	2005	Family Practice/General Practice
	NOLTE, JOHN M	HILLSIDE FAMILY & OCCUP MED, 9220 LAKE OTIS PKWY UNIT 9 99507-0000	(907) 344-0200	*	06707	2003	Family Practice/General Practice
P	KIESSLING, BRUCE J	PRIMARY CARE ASSOC, 4100 LAKE OTIS PKWY STE 322 99508-5231	(907) 562-1234		04368	1979	Family Practice/General Practice
P	JONES, F LELAND	MEDICAL PARK FAMILY CARE, 2211 E NORTHERN LIGHTS BLVD STE 101 99508-0000	(907) 279-8486	*	04340	1971	Family Practice/General Practice

AUKE BAY

JUNEAU

P	BELFLOWER, ESTOL R.	BOX 210303 99821-0000	(907) 789-0652	*	04315	1973	Radiology
---	---------------------	-----------------------	----------------	---	-------	------	-----------

BETHEL

BETHEL

P	EGGIMANN, WILLIAM W.	BETHEL FAMILY CLINIC, 631 4TH ST PO BOX 1908 99559-	(907) 543-3773		06717	2005	Family Practice/General Practice
---	----------------------	---	----------------	--	-------	------	----------------------------------

CRAIG

PRINCE WALES KETCHIKAN

P	THOMAS, ROBERT C	CRAIG CLINIC, 506 THIRD STREET 99921-	(907) 523-2167		06712	2004	Family Practice/General Practice
---	------------------	---------------------------------------	----------------	--	-------	------	----------------------------------

DELTA JUNCTION

SOUTHEAST FAIRBANKS

P	ANDREASSEN, RAYMONI	FAMILY MEDICAL CENTER, 2360 SERVICE ST HC60 BOX 4860 99737-0000	(907) 895-5100		14636	1977	Aerospace Medicine
---	---------------------	---	----------------	--	-------	------	--------------------

DILLINGHAM

DILLINGHAM

P	POWERS, DAVID J	BRISTOL BAY AREA HLTH CORP, PO BOX 130 99576-0000	(907) 842-5201		04544	1999	Family Practice/General Practice
P	STOUT, KERRICK L	FAMILY PRACTICE, PO BOX 130 99576-	(907) 842-5201		06710	2004	Family Practice/General Practice

EAGLE RIVER

ANCHORAGE

P	SKALA, TIMOTHY W	CHUGACH FAMILY MEDICAL CLINIC, 11940 BUSINESS BLVD STE 102 99577-0000	(907) 694-2807	*	04386	1977	Aerospace Medicine
---	------------------	---	----------------	---	-------	------	--------------------

FAIRBANKS

FAIRBANKS NORTH STAR

P	TAYLOR, ROBERT W	FAIRBANKS UROLOGY, 1867 AIRPORTWAY SUITE 120-B 99701-6056	(907) 452-4900	*	04369	1975	General Surgery
P	BLAIS, KENDRICK D	POLAR WIND MEDICAL CLINIC, 1867 AIRPORT WAY STE 140A 99701-0000	(907) 457-9355	*	04463	1990	Family Practice/General Practice
P	KOHNNEN, ELIZABETH A	1919 LATHROP ST 203 99701-0000	(907) 456-2825		04492	1994	Internal Medicine
	UNSICKER, CARL L.	1008 16TH AVE., SUITE 100 99701-	(907) 456-4825		06722	2007	Orthopedic Surgery
P	RAYMOND, MATTHEW W	TANANA VALLEY CLINIC, 1001 NOBLE ST 99701-	(907) 459-3500	*	06715	2005	Aerospace Medicine
P	GRAUMAN, DAVID S	ALASKA OCCUPATIONAL HEALTH, 1919 LATHROP ST STE 203 99701-0000	(907) 456-2825	*	04356	1973	Internal Medicine
	THOMAS, JOAN G	FAIRBANKS CLINIC, 1919 LATHROP SUITE 100 99701-0000	(907) 452-1761		04546	1999	Family Practice/General Practice
	THOMAS III, CARL F	FAIRBANKS CLINIC, 1919 LATHROP ST STE 100 99701-0000	(907) 452-1761	*	04480	1992	Family Practice/General Practice
P	JORDAN, HARRY JAMES	1008 16TH AVENUE 99701-6078	(907) 456-4825	*	04438	1985	Family Practice/General Practice
	WALKER, ENLOW R	1919 LATHROP ST STE 100 99701-0000	(907) 452-1761	*	04455	1988	Family Practice/General Practice

HAINES

HAINES

	FELDMAN, LEONARD	LYNN CANAL MEDICAL CORP., PO BOX 697 99827-0000	(907) 766-3009		04477	1991	Family Practice/General Practice
--	------------------	---	----------------	--	-------	------	----------------------------------

ALASKA - (Cont.)

HOMER		KENAI PENINSULA						
BELL, WILLIAM H	HOMER MEDICAL CLINIC, 4136 BARTLETT STREET 99603-7001	(907) 235-8586	*	04429	1983	Family Practice/General Practice		
WIEST, RANDALL H.	HOMER MEDICAL CLINIC, 4136 BARTLETT STREET 99603-	(907) 235-8586		06719	2006	Family Practice/General Practice		
JUNEAU		JUNEAU						
P SMITH, KIM C.	FAMILY PRACTICE PHYSICIANS, 10301 GLACIER HWY 99801-0000	(907) 789-2910	*	04360	1974	Family Practice/General Practice		
KENAI		KENAI PENINSULA						
HANSEN, PETER O	KENAI MEDICAL CENTER INC, 805 FRONTAGE RD STE 123 99611-0000	(907) 283-4611	*	04288	1965	Family Practice/General Practice		
MERRICK, MICHAEL E	416 FRONTAGE ROAD #400 99611-0000	(907) 283-5487	*	04475	1991	Family Practice/General Practice		
KETCHIKAN		KETCHIKAN GATEWAY						
RICE, PETER E	WILSON CLINIC, 212 CARLANNA STE 100 99901-0000	(907) 225-4104	*	04464	1990	Family Practice/General Practice		
BORHANI, MADELINE	WILSON CLINIC, 212 CARLANNA LAKE RD #100 99901-	(907) 225-4104		06721	2007	Internal Medicine		
SCHULZ, STACY N.	FIRST CITY MEDICINE, 212 CARLANNA LAKE RD STE 201 PO BOX 6755 99901-0000	(907) 247-3301	*	04474	1991	Internal Medicine		
LILJEGREN, DIANE L	KETCHIKAN MEDICAL CLINIC, 212 CARLANNA LAKE ROAD 99901-0000	(907) 225-5144	*	04494	1995	Family Practice/General Practice		
KODIAK		KODIAK ISLAND						
SMITH, STEVEN W	KODIAK ISLAND MEDICAL ASSOC, 1818 E REZANOF 99615-0000	(907) 486-6065		04550	1999	Family Practice/General Practice		
KOTZEBUE		NORTHWEST ARCTIC						
P SANDERS, JIM C	MANILAQ ASSOCIATION HEALTH CENTER, PO BOX 528 99752-	(907) 262-7700	*	04482	1992	Family Practice/General Practice		
NAKNEK		BRISTOL BAY						
WEAVER, LORREN J	CAMAI COMMUNITY HEALTH CTR, #2 SCHOOL RD PO BOX 211 99633-0000	(907) 246-6155	*	04472	1991	Internal Medicine		
NOME		NOME						
P HEAD, DAVID	NORTON SOUND HEALTH CORP PO BOX 966 99762-0000	(907) 443-3311	*	04458	1989	Family Practice/General Practice		
P LAWRENCE, ROBERT T.	NORTON SOUND REGIONAL HEALTH, 306 W. 5TH AVE PO BOX 966 99762-	(907) 443-3311		06723	2007	Family Practice/General Practice		
NORTH POLE		FAIRBANKS NORTH STAR						
P MARSHALL, PETER	145 SANTA CLAUS LANE 102 PO BOX 55919 99705-0000	(907) 488-4433	*	04443	1986	Family Practice/General Practice		
PALMER		MATANUSKA SUSITNA						
P CUNNINGHAM, WALTER I	BOX 2224 99645-0000	(907) 745-3303		04278	1963	Family Practice/General Practice		
MOSER, MICHAEL R	425 E DAHLIA STE L 99645-6414	(907) 745-1777	*	04393	1978	Family Practice/General Practice		
WERNER, DAVID P	VALLEY MEDICAL CENTER, 425 E DAHLIA STE M 99645-0000	(907) 745-4268	*	04335	1992	Family Practice/General Practice		
P BROOKS, JASON W.	PALMER FAMILY MEDICINE, 634 S. BAILEY ST., SUITE 104 99645-	(907) 357-9590		06720	2005	Family Practice/General Practice		
PETERSBURG		WRANGELL PETERSBURG						
P TUCCILLO, MARK W	PETERSBURG MED CLNC, PO BOX 589 99833-0000	(907) 772-4299	*	04491	1994	Family Practice/General Practice		
P LONG, DOUGLAS G.	PETERSBURG MEDICAL CLINIC, PO BOX 589 103 FRAM ST 99833-0589	(907) 772-4299		16392	2003	Family Practice/General Practice		
SITKA		SITKA						
LEHMANN, DONALD R	SITKA MEDICAL CTR, 700 KATLIAN ST STE E 99835-0000	(907) 747-5861	*	04434	1984	Family Practice/General Practice		
BRUSHAFER, DEBRA L	SITKA COMMUNITY HOSPITAL, OUTPATIENT CLINIC 209 MOLLER AVE 99835-0000	(907) 747-1722		04486	1992	Family Practice/General Practice		
SOLDOTNA		KENAI PENINSULA						
ARAOZ-FRASER, GONZA	SOLDOTNA MEDICAL CLINIC, 315 S KOBUK STE B 99669-7623	(907) 262-5115	*	04439	1985	Family Practice/General Practice		
TALKEETNA		MATANUSKA SUSITNA						
YATES, JAMES E	TALKEETNA DENALI FAMILY MED CLNC, 125 FIRST ST POB 1148 99676-0000	(907) 733-2708		04499	1998	Family Practice/General Practice		
VALDEZ		VALDEZ CORDOVA						
TODD, KATHLEEN G.	VALDEZ MEDICAL CLINIC, PO BOX 1829 1001 MEALS AVE 99686-	(907) 835-4811		06714	2005	Family Practice/General Practice		
WASILLA		MATANUSKA SUSITNA						
P LAYMAN, CHARLES D	LAKES MED CLNC, BRENTWOOD PLAZA STE D PO BOX 876009 99687-0000	(907) 357-0820		04412	1986	Family Practice/General Practice		
NIMMO, ERIC A.	LAKEVIEW PROF BLDG, 851 E WEST POINT #302 99654-0000	(907) 357-3850		04542	1999	Family Practice/General Practice		
ODLAND, DUANE I	ODLAND FMLY PRACTICE CLNC, BOX 876364 99687-0000	(907) 373-0850		04456	1988	Family Practice/General Practice		
WILLOW		MATANUSKA SUSITNA						
P ANZILOTTI, JOSE' P.N.	HEART OF WILLOW MEDICAL CLINIC, MILE 69 1 OLD PARKS HWY PO BOX 349 99688-	(907) 495-4362		06713	2004	Family Practice/General Practice		