



Quickie GT FSS NET ORDER FORM/PRICE LIST (SIN F-1)

EIR3, Effective April 1, 2008

ORDERING INFORMATION PHONE: (800) 333-4000, FAX: (800) 300-7502, WEBSITE: www.sunrisemedical.com

ACCOUNT INFORMATION

Account No: _____ Drop Ship/Ship To: _____

Date: _____ Name: _____

P.O. #: _____ Address: _____

Buyer: _____ City: _____ State: _____

Marked For: _____ Zip Code: _____ Phone Number: _____

Quickie GT

Base Model		
<input type="checkbox"/>	K0005 Quickie GT	\$825.24

FRAMES

Frame Color

<input type="checkbox"/>	145C2	Black	NC
<input type="checkbox"/>	145C10	Black Opal	NC
<input type="checkbox"/>	145C1	Blue	NC
<input type="checkbox"/>	145C38	Blue Opal	NC
<input type="checkbox"/>	145C12	Blue Velvet	NC
<input type="checkbox"/>	145C36	Candy Blue	NC
<input type="checkbox"/>	145C35	Candy Red	NC
<input type="checkbox"/>	145C39	Candy Turquoise	NC
<input type="checkbox"/>	145C6	Forest Green	NC
<input type="checkbox"/>	145C4	Midnight Purple	NC
<input type="checkbox"/>	145C37	Orange	NC
<input type="checkbox"/>	145C5	Pearl Pink	NC
<input type="checkbox"/>	145C40	Razzleberry	NC
<input type="checkbox"/>	145C11	Toxic Green	NC
<input type="checkbox"/>	145C8	Yellow	NC

Custom Colors

<input type="checkbox"/>	145C41	Berry Vibrations	\$75.51
<input type="checkbox"/>	145C20	Graphite	\$75.51
<input type="checkbox"/>	145C43	Mossy Oak Camouflage	\$75.51
<input type="checkbox"/>	145C15	Purple Chase	\$75.51
<input type="checkbox"/>	145C42	Stars & Stripes	NC

SEATING

(Letters in () refer to diagram on page 5)

(A) Seat Width

Please note: The J3 Back is not available with 12" or 13" frame widths.

<input type="checkbox"/>	145S3	12"	NC
<input type="checkbox"/>	145S4	13"	NC
<input type="checkbox"/>	145S5	14"	NC
<input type="checkbox"/>	145S6	15"	NC
<input type="checkbox"/>	145S7	16"	NC
<input type="checkbox"/>	145S8	17"	NC
<input type="checkbox"/>	145S9	18"	NC
<input type="checkbox"/>	145S10	19"	NC
<input type="checkbox"/>	145S11	E2201 20"	\$107.87

(B) Seat Depth ¹

<input type="checkbox"/>	145SD5	12"	NC
<input type="checkbox"/>	145SD6	13"	NC
<input type="checkbox"/>	145SD7	14"	NC
<input type="checkbox"/>	145SD8	15"	NC
<input type="checkbox"/>	145SD9	16"	NC
<input type="checkbox"/>	145SD10	17"	NC
<input type="checkbox"/>	145SD11	18"	NC
<input type="checkbox"/>	145SD12	19"	NC
<input type="checkbox"/>	145SD13	E2203 20"	\$107.87

(C) Front Seat Height ²

<input type="checkbox"/>	145SH14	16"	NC
<input type="checkbox"/>	145SH15	16.5"	NC
<input type="checkbox"/>	145SH16	17"	NC
<input type="checkbox"/>	145SH17	17.5"	NC
<input type="checkbox"/>	145SH18	18"	NC
<input type="checkbox"/>	145SH20	18.5"	NC
<input type="checkbox"/>	145SH21	19"	NC
<input type="checkbox"/>	145SH23	19.5"	NC
<input type="checkbox"/>	145SH24	20"	NC
<input type="checkbox"/>	145SH26	20.5"	NC
<input type="checkbox"/>	145SH27	21"	NC

(D) Rear Seat Height ²

<input type="checkbox"/>	145RH13	13" ^{3,4}	NC
<input type="checkbox"/>	145RH13	13.5" ^{3,4}	NC
<input type="checkbox"/>	145RH13	14" ³	NC
<input type="checkbox"/>	145RH14	14.5" ³	NC
<input type="checkbox"/>	145RH15	15"	NC
<input type="checkbox"/>	145RH16	15.5"	NC
<input type="checkbox"/>	145RH17	16"	NC
<input type="checkbox"/>	145RH18	16.5"	NC
<input type="checkbox"/>	145RH19	17"	NC
<input type="checkbox"/>	145RH26	17.5"	NC
<input type="checkbox"/>	145RH20	18"	NC
<input type="checkbox"/>	145RH27	18.5"	NC
<input type="checkbox"/>	145RH21	19"	NC
<input type="checkbox"/>	145RH37	19.5"	NC
<input type="checkbox"/>	145RH22	20"	NC

(E) Frame Angle

<input type="checkbox"/>	145FA1	75°	NC
<input type="checkbox"/>	145FA2	85°	NC

(F) Frame Inset per side (see diagram F & G)

<input type="checkbox"/>	145FF1	0"	NC
<input type="checkbox"/>	145FF2	1" ⁵	NC
<input type="checkbox"/>	145FF3	2" ⁶	NC

FOOTNOTES:

¹ Seat sling will be 1 inch shorter than depth ordered, but actual depth will remain same from back canes to front edge of upholstery.

² Refer to matrix below.

12/13 Seat Depth	3" Maximum Front to Rear Seat Hgt.
14/15 Seat Depth	3.5" Maximum Front to Rear Seat Hgt.
16/17 Seat Depth	4" Maximum Front to Rear Seat Hgt.
18/19 Seat Depth	4.5" Maximum Front to Rear Seat Hgt.
20 Seat Depth	5" Maximum Front to Rear Seat Hgt.

³ Not available with Amputee axle plate

⁴ 20" Rear Wheels Only

⁵ Not available on 12" width chair

⁶ Not available on 12", 13", or 14" width chair

PROPER USE OF HCPCS CODES DOES NOT ENSURE COVERAGE OR PAYMENT. FOR COVERAGE INFORMATION, VERIFY THE APPROPRIATE PAYER'S COVERAGE POLICY.

Cushion		
To order any of the following JAY cushions on-chair, please see the on-chair order form.		
<input type="checkbox"/>	Jay Basic	
<input type="checkbox"/>	Jay Easy	
<input type="checkbox"/>	Jay Soft Combi P	
<input type="checkbox"/>	Jay J2	
<input type="checkbox"/>	Jay J2 DC	
<input type="checkbox"/>	145CU1	2" Cushion \$34.16
<input type="checkbox"/>	145SL6	Omit Seat Sling -\$5.39

Xtender Power Assist		
Xtender Pwr Assist (24" wheels only and 0 camber)		
<input type="checkbox"/>	145XT1 E0986	Xtender Power Assist ^{1,2,3} \$2,432.53

Xtender Pwr Asst Tire ⁴		
<input type="checkbox"/>	145XW2 K0064	Xtender Airless Tire \$28.40
<input type="checkbox"/>	145XW1	Xtender Pneumatic Tire NC

Xtender Pwr Asst Handrim		
(You must choose one of the following torque options)		
<input type="checkbox"/>	145XH1	3x Torque Multiplier (Plastic Coated) NC
<input type="checkbox"/>	145XH2	1.5x Torque Multiplier (Stainless Steel) NC

Xtender Pwr Asst Accessories		
<input type="checkbox"/>	145XA1	Xtnder Spare NiMH Power Pack \$322.58
(Manual Wheel Add-On Accessory Package for Xtender Only)		
<input type="checkbox"/>	145XA2	24" Spoke Pneu Alum Handrim NC
<input type="checkbox"/>	145XA3	24" Spoke Pneu w/Airless Alum Hand \$28.40
<input type="checkbox"/>	145XA4	24" Spoke Pneu Plastic Handrim \$36.52
<input type="checkbox"/>	145XA5	24" Spoke Pneu w/Airless Plast Hand \$64.92

BACKREST		
Back Type		
<input type="checkbox"/>	145BT3	Non-Folding Backrest NC
<input type="checkbox"/>	145BT1	Folding Backrest NC

Backrest Height		
<input type="checkbox"/>	145B110	10" - 14" Back Height ⁵ NC
<input type="checkbox"/>	145B127	12" - 16" Back Height NC
<input type="checkbox"/>	145B111	14" - 18" Back Height NC

Backrest Upholstery		
<input type="checkbox"/>	145BU1	Standard Upholstery NC
<input type="checkbox"/>	145BU8	Adjustable Upholstery NC
<input type="checkbox"/>	145BU14	Omit Back Upholstery -\$5.39
<input type="checkbox"/>		Jay J3 Back ¹⁸

Please see the J3 Back order form for part #'s.

<input type="checkbox"/>	145BU34 E0956	Jay Precision Back Med w/Laterals ^{6,7} \$113.27
<input type="checkbox"/>	145BU35 E0956	Jay Precision Back Tall w/ Laterals ^{6,7} \$124.06
<input type="checkbox"/>	145BU41	Jay Precision Back Med Omit Laterals ⁷ \$113.27
<input type="checkbox"/>	145BU42	Jay Precision Back Tall Omit Laterals ⁷ \$124.06
<input type="checkbox"/>	145KE22 E1028 ⁸	Lateral Pad Symmetric Swing Away \$122.26
<input type="checkbox"/>	145KE20 E0956	Lateral Pad Symmetric \$68.32
<input type="checkbox"/>	145KE19 E0956	Lateral Pad Asymmetric \$68.32
<input type="checkbox"/>	145KE21 E1028 ⁸	Lateral Pad Asymmetric Swing Away \$122.26
<input type="checkbox"/>	145SZ2	Folding Stabilizer Bar ⁵ \$122.26

Headrest		
<input type="checkbox"/>	145HE1	Curved Headrest 8" X 4.5" \$97.09
<input type="checkbox"/>	145HE2	Curved Headrest 9" X 4.5" \$97.09

Backrest Options		
<input type="checkbox"/>	145PH5	Fold-Down Push Handles ⁹ \$32.36
<input type="checkbox"/>	145PH6	Integral Push Handles NC
<input type="checkbox"/>	145PH2	Omit Push Handles NC

Back Depth Adjustment		
<input type="checkbox"/>	145BG1	Standard non adjustable NC
<input type="checkbox"/>	145BG2	-1" ¹⁰ \$37.76
<input type="checkbox"/>	145BG3	-2" ¹⁰ \$37.76

FOOTRESTS		
Footrest		
<input type="checkbox"/>	145F228	Tubular NC
<input type="checkbox"/>	145F229	Tubular Long NC
<input type="checkbox"/>	145F230	Tubular w/Flat Cover NC
<input type="checkbox"/>	145F231	Tubular w/Flat Cvr Long NC
<input type="checkbox"/>	145F232	Tubular w/Flared Cover \$17.98
<input type="checkbox"/>	145F233	Tubular w/Flared Cvr Long \$17.98

Footrest Continued		
<input type="checkbox"/>	145F234	Aluminum Platform Footrest \$19.78
<input type="checkbox"/>	145F235	Aluminum Platform Footrest Long \$19.78
<input type="checkbox"/>	145F39	High Mount Platform ^{11,12} \$19.78
<input type="checkbox"/>	145A179	Platform Positioning Plate ¹³ \$17.98

Adaptive Platform Spacer ¹³		
<input type="checkbox"/>	145AD1	Adaptive Platform 2" Spacer \$34.16
<input type="checkbox"/>	145AD2	Adaptive Platform 4" Spacer \$34.16
<input type="checkbox"/>	145AD3	Adaptive Platform 6" Spacer \$34.16

ARMRESTS (OPTIONAL)		
Armrest- Padded Swing Away		
<input type="checkbox"/>	145AA16	Padded Swing-Away Adult ¹⁴ \$62.93
<input type="checkbox"/>	145AA20	Padded Swing-Away Adult Long ¹⁴ \$62.93
<input type="checkbox"/>	145AA17	Padded Swing-Away Kids ¹⁴ \$62.93

Armrest- Padded Swing Away Hardware		
<input type="checkbox"/>	145AR6	Standard Hardware NC
<input type="checkbox"/>	145AR5	Angle Adjustable Hardware \$17.98

Armrest- Height Adjustable		
<input type="checkbox"/>	145AA8 E0973	Single Post Height Adjustable - Adult ¹⁵ \$82.70
<input type="checkbox"/>	145AM1	Desk Length (10") NC
<input type="checkbox"/>	145AM2	Full Length (14") NC
<input type="checkbox"/>	145AA9 E0973	Single Post Height Adjustable - Kids ¹⁵ \$82.70
<input type="checkbox"/>	145AM1	Desk Length (10") NC
<input type="checkbox"/>	145AM2	Full Length (14") NC

CASTERS		
Casters		

<input type="checkbox"/>	174CW1	3" Micro NC
<input type="checkbox"/>	174CW30	3" Micro Lighted \$19.78
<input type="checkbox"/>	174CW3	4" Low Profile Polyurethane NC
<input type="checkbox"/>	174CW31	4" Micro Lighted \$19.78
<input type="checkbox"/>	174CW47	4" x 1.25 Semi Pneumatic ¹⁶ \$19.78
<input type="checkbox"/>	174CW5	5" Low Profile Polyurethane NC
<input type="checkbox"/>	174CW6	5" Soft Roll (Grey) ¹⁷ \$30.56
<input type="checkbox"/>	174CW7	5"x 1.5" Semi Pneumatic \$30.56
<input type="checkbox"/>	174CW34	6" Poly NC
<input type="checkbox"/>	174CW35	6"x 1.5" Semi Pneumatic \$30.56

CASTER OPTIONS		
<input type="checkbox"/>	145OC1 K0073	Caster Pin Locks ¹² \$34.16

Caster Fork Suspension		
<input type="checkbox"/>	145CF53 E1015	Frog Legs 0# weight to 100# \$116.86
<input type="checkbox"/>	145CF54 E1015	Frog Legs 101# weight to 190# \$116.86
<input type="checkbox"/>	145CF55 E1015	Frog Legs 191# weight to 265# \$116.86

FOOTNOTES:

- ¹ Rear seat height range is 18.5" to 20.5"
- ² Not available with Amputee axle plate
- ³ Front To Rear Seat seat Height range 0 to 1" difference.
- ⁴ Only available in 24" tire size
- ⁵ Only available with Integral Push Handles.
- ⁶ May interfere with some Armrest heights.
- ⁷ Not available with 11" thru 13" Seat width.
- ⁸ Can be billed using both E0128 and E0956
- ⁹ Not available with 10-14" Backrest Height or Standard Upholstery.
- ¹⁰ Requires the use of a Solid Backrest and Omit Upholstery.
- ¹¹ Not available with 12" or 13" Seat Width with 1" or 2" Frame Inset.
- ¹² Not available with 14" or 15" Seat Width with 2" Frame Inset.
- ¹³ Only available with Aluminum Platform Footrest.
- ¹⁴ Not available with Xtender
- ¹⁵ Requires the maximum rear wheel axle spacing.
- ¹⁶ Only available with Frog Leg Caster Forks
- ¹⁷ Not available with Frog Legs.
- ¹⁸ To order a J3 Back please select Omit Back Upholstery.

Please note: The J3 Back requires back canes or push handles.

AXLES AND REAR WHEELS

Axle Spacing (L) (Note: Inside of wheel to outside of backrest tube)		
<input type="checkbox"/>	145AV7	.5" ¹ NC
<input type="checkbox"/>	145AV2	1" NC
<input type="checkbox"/>	145AV3	1.5" NC
<input type="checkbox"/>	145AV8	1.75" ² NC

Rear Wheel Size		
<input type="checkbox"/>	145RW3	20" Mag Wheel NC
<input type="checkbox"/>	145RW4	22" Mag Wheel NC
<input type="checkbox"/>	145RW8	24" Mag Wheel NC
<input type="checkbox"/>	145RW1	20" Spoke Wheel \$71.92
<input type="checkbox"/>	145RW9	22" Spoke Wheel \$71.92
<input type="checkbox"/>	145RW2	24" Spoke Wheel NC
<input type="checkbox"/>	145RW11	26" Spoke Wheel NC
<input type="checkbox"/>	145RW77	22" Ultra Lightweight Spoke Wheel ¹⁰ \$89.90
<input type="checkbox"/>	145RW78	24" Ultra Lightweight Spoke Wheel ¹⁰ \$89.90
<input type="checkbox"/>	145RW80	26" Ultra Lightweight Spoke Wheel ¹⁰ \$89.90
<input type="checkbox"/>	145RW19	24" HT Basketball Wheel (559) \$89.90
<input type="checkbox"/>	145RW23	24" HT Tennis Wheel Spk 36 (559) \$89.90
<input type="checkbox"/>	145RW26	26" HT Basketball Wheel \$89.90
<input type="checkbox"/>	145RW22	26" HT Tennis Wheel \$89.90
<input type="checkbox"/>	145RW30	24" Spinergy (540) SPOX Black Spokes \$249.91
<input type="checkbox"/>	145RW42	24" Spinergy (540) SPOX Yellow Spokes \$249.91
<input type="checkbox"/>	145RW43	24" Spinergy (559) SPOX Black Spokes \$249.91
<input type="checkbox"/>	145RW31	24" Spinergy (559) SPOX White Spokes \$249.91
<input type="checkbox"/>	145RW44	26" Spinergy (590) SPOX Black Spokes \$249.91
<input type="checkbox"/>	145RW24	26" Spinergy (590) SPOX Yellow Spokes \$249.91
<input type="checkbox"/>	145RW88	24" Spinergy (540) LX Black Spokes \$321.82
<input type="checkbox"/>	145RW89	24" Spinergy (559) LX Black Spokes \$321.82
<input type="checkbox"/>	145RW50	24" Mountain Wheel \$89.90
<input type="checkbox"/>	145RW49	Omit- Xtender Selected NC

Rear Wheel Tire		
<input type="checkbox"/>	145RT1	Pneumatic NC
<input type="checkbox"/>	145RT2	E2213 Pneumatic Airless Insert \$25.17
<input type="checkbox"/>	145RT12	Mountain Tire NC
<input type="checkbox"/>	145RT8	Kevlar \$34.16
<input type="checkbox"/>	145RT7	Latex Tubular NC
<input type="checkbox"/>	145RT3	Full Poly Tire NC
<input type="checkbox"/>	145RT6	High-Pressure Clincher \$34.16
<input type="checkbox"/>	145RT5	Turbo Tread NC
<input type="checkbox"/>	145RT21	Schwalbe Marathon Plus Evolution \$34.16
<input type="checkbox"/>	145RT22	Kik® Mako Black \$28.77

Handrim		
<input type="checkbox"/>	145HR1	Aluminum Anodized NC
<input type="checkbox"/>	145HR4	Plastic Coated \$32.36
<input type="checkbox"/>	145HR21	Natural Fit Standard Grip ³ \$106.08
<input type="checkbox"/>	145HR22	Natural Fit Super Grip ³ \$122.26
<input type="checkbox"/>	145HR7	Omit Handrim -\$3.60

Rear Wheel & Tire Matrix						
Tire \ Wheel	Mag	Spoke	Ultra Light	Quickie HT	Spinergy	Mountain
Pneumatic	20,22,24	20,22,24,26			24,26	
Pneumatic Airless Insert	20,22,24	20,22,24			24	
Mountain Tire						24
Kevlar	24	24			24	
Latex Tubular		24,26		25		
Full Poly Tire	20,22,24	20,22,24				
High-Pressure Clincher		22,24,26	22,24,26		24,25,26	
Turbo Tread				25,26		
Schwalbe Marathon Plus Evol.		24			24,25	
Kik® Mako Black	24	24			24,25	

24 = 540 25 = 559 26 = 590

Handrim- Cont.		
<input type="checkbox"/>	145HR9	8 Vertical Projections ⁴ \$70.12
<input type="checkbox"/>	145HR8	8 Oblique Projections ⁴ \$70.12
<input type="checkbox"/>	145HR11	12 Vertical Projections ⁴ \$70.12
<input type="checkbox"/>	145HR10	12 Oblique Projections ⁴ \$70.12

Axle		
<input type="checkbox"/>	145AX1	Quick Release Steel NC
<input type="checkbox"/>	145AX11	Quad Quick Release \$32.36
<input type="checkbox"/>	145AX5	Titanium ⁵ \$48.54
<input type="checkbox"/>	145AX16	Titanium Quad ⁵ \$80.91

AXLE PLATE

<input type="checkbox"/>	145AL36	Standard (1" to 4.5") NC
<input type="checkbox"/>	145AL37	E0959 Amputee (-1" to 2.5") \$62.93
<input type="checkbox"/>	145AL39	Xtender (1 ") NC
<input type="checkbox"/>	145AL38	Rear Suspension (-.5 to +3) ⁶ \$142.03

REAR SUSPENSION ⁷

Rear Suspension Weight Rating		
<input type="checkbox"/>	145SV04	From 0# weight to 100# (Yellow) NC
<input type="checkbox"/>	145SV05	From 101# weight to 190# (Red) NC
<input type="checkbox"/>	145SV06	From 191# weight to 265# (Blue) NC

Center of Gravity Preset

(M) (Preset - measured forward from backrest tubes)

<input type="checkbox"/>	145CC11	-1" NC
<input type="checkbox"/>	145CC10	-.5" NC
<input type="checkbox"/>	145CC12	0" NC
<input type="checkbox"/>	145CC1	.5" NC
<input type="checkbox"/>	145CC2	1" NC
<input type="checkbox"/>	145CC3	1.5" NC
<input type="checkbox"/>	145CC4	2" NC
<input type="checkbox"/>	145CC5	2.5" NC
<input type="checkbox"/>	145CC6	3" NC
<input type="checkbox"/>	145CC7	3.5" NC
<input type="checkbox"/>	145CC8	4" NC
<input type="checkbox"/>	145CC9	4.5" NC

Camber

<input type="checkbox"/>	145C11	0° NC
<input type="checkbox"/>	145C12	3° NC
<input type="checkbox"/>	145C14	6° ⁸ NC
<input type="checkbox"/>	145C16	9° ⁸ NC

Wheel Lock

<input type="checkbox"/>	145WL1	High Mount Push NC
<input type="checkbox"/>	145WL2	High Mount Pull NC
<input type="checkbox"/>	145WL27	Ergo Scissor NC
<input type="checkbox"/>	145WL5	High Mount Scissor NC
<input type="checkbox"/>	145WL10	Omit Wheel Lock NC
<input type="checkbox"/>	145WL12	Do Not Mount NC

Extension Handle ⁹

<input type="checkbox"/>	163EH1	E0961 6" Pair \$21.57
<input type="checkbox"/>	163EH2	E0961 6" Right \$10.79
<input type="checkbox"/>	163EH3	E0961 6" Left \$10.79

FOOTNOTES:

- Not available with 0 degree camber
- Only recommended when using Height Adjustable Arms
- Not available on Quickie HT, Mountain Wheels, or Ultra Lightweight
- Only available with Mag or Standard Spoke Wheels
- Only available with Performance HT Wheels
- Requires Rear Suspension Weight Rating
- Requires Rear Suspension Axle Plate
- Not available with Mag Wheels
- Not available with Ergo Scissors, Compact, or Unilateral Wheel Locks
- Ultra Lightweight Spoke Wheel available with silver anodized aluminum handrim and high pressure clincher tire

Grade Aid			
<input type="checkbox"/>	163GA1	E0974	Grade Aid ¹ \$53.94
Rear Anti-Tip			
<input type="checkbox"/>	163AT1	E0971	Rear Anti-Tip \$48.54
<input type="checkbox"/>	163AT3		Omit Rear Anti-Tip NC
ACCESSORIES			
Backpack			
<input type="checkbox"/>	145A1		Black Utility Backpack \$19.78
<input type="checkbox"/>	145A2		Black/Charcoal Kids \$17.98
Seat Pouch			
<input type="checkbox"/>	145A8		Black \$16.18
Spoke Guard			
<input type="checkbox"/>	145A23	K0065	Black ² \$32.36
<input type="checkbox"/>	145A24	K0065	Clear ² \$32.36
Positioning Belt			
<input type="checkbox"/>	145A12	E0978	Belt 2" Aircraft Buckle \$30.56
<input type="checkbox"/>	145A13	E0978	Belt 2" Aircraft Buckle Padded \$41.35
<input type="checkbox"/>	145A142	E0978	Belt 1-1/2" Auto Buckle Universal \$21.57
Side Guard ³			
<input type="checkbox"/>	145SG1		Fabric Regular ⁴ \$16.18
<input type="checkbox"/>	145SG2		Fabric Kids ⁴ \$16.18
<input type="checkbox"/>	145SG3		Plastic Regular ³ \$43.15
<input type="checkbox"/>	145SG4		Plastic Kids ³ \$43.15
<input type="checkbox"/>	145SG15		Aluminum ⁵ \$107.87
<input type="checkbox"/>	145SG13		Aluminum with Fender ⁵ \$127.65
Miscellaneous			
<input type="checkbox"/>	145A82		Caddy \$16.18
<input type="checkbox"/>	145A87		Travel Wheels ⁶ \$44.95
<input type="checkbox"/>	145IG20		Impact Guards \$30.56
<input type="checkbox"/>	145A51	K0102	Crutch Holder ⁷ \$23.37
<input type="checkbox"/>	145A85		Bolt-On Push Handles \$26.97
<input type="checkbox"/>	145A83		Tool Kit NC
<input type="checkbox"/>	145A27		Touch Up Paint \$8.99
<input type="checkbox"/>	145A32	E0950	Wheelchair Tray \$71.92
<input type="checkbox"/>	145A54	K0038	Xtra Leg Strap \$10.79
TOTAL CHAIR PRICE			\$

FOOTNOTES

NC

¹ Only available w/High Push or Pull Wheel Locks. No clincher, poly, KIK or Schwalbe

² Not available with Spinergy wheels

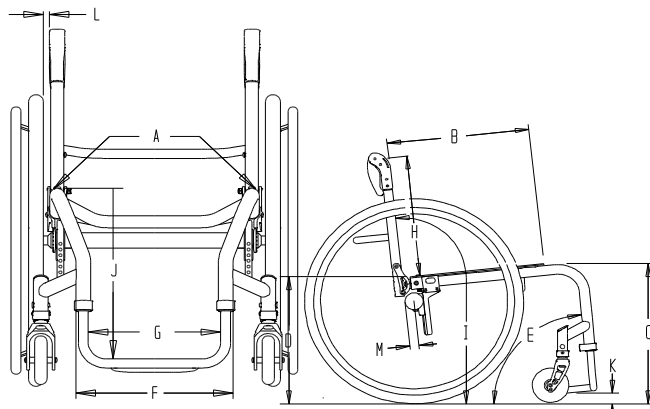
³ Available w/Padded Swing Away Arms, some interference points at lower positions

⁴ Not available with adjustable upholstery

⁵ Not available with High Push or High Pull Wheel Locks

⁶ Not available with Xtender Power Assist

⁷ Only available with Integral or Fold Down Push Handles



- A. Seat Width**
Measure from outside of seat tube to the outside of opposite seat tube
- F. Frame Inset**
This is the overall measurement at the bottom of the front end of the chair. Measure the seat width and subtract the following:
0" inset-subtract 0"
1" inset-subtract 2"
2" inset-subtract 4"
- G. Footrest Width**
This is the measurement inside the front end (the width available for the feet) Measure the frame width and subtract the following:
0" inset-subtract 2"
1" inset-subtract 4"
2" inset-subtract 6"
- J. Seat to Footrest**
Measure from front of seat sling to top front of footrest. (note: footrest is preset to 2" ground clearance)
- L. Rear Wheel Spacing**
Measure from outside of back post to inside top of rear wheel
- B. Seat Depth**
Measure from front of the back post to the front edge of the seat upholstery
- C. Front Seat Height**
Measure from the front of seat sling to the floor.
- D. Rear Seat Height (Adjustable)**
Measure from top of rear seat sling to the floor.
- E. Front Frame Angle**
Measure from frame front to floor.
- H. Seat Back Height**
Measure from the top of the back upholstery to the top of the seat sling.
- I. Seat-to-Back Angle**
Measured from front of back post to the floor. (Angle is factory preset to approx. 90°)
- K. Footrest Height (Adjustable)**
Footrest height is factory set to 2" ground clearance.
- M. Center of Gravity (Adjustable)**
Measure from front of back post to the center of rear axle.

Quickie GT Standard Chair Weights (Lbs)

		Width								
		12"	13"	14"	15"	16"	17"	18"	19"	20"
Depth	12"	19.53	19.61	19.70	19.78	19.87	19.95	20.04	20.12	20.21
	13"	19.63	19.71	19.80	19.88	19.97	20.05	20.14	20.22	20.31
	14"	19.73	19.81	19.90	19.98	20.07	20.15	20.24	20.32	20.41
	15"	19.83	19.91	20.00	20.08	20.17	20.25	20.34	20.42	20.51
	16"	19.93	20.01	20.10	20.18	20.27	20.35	20.44	20.52	20.61
	17"	20.03	20.11	20.20	20.28	20.37	20.45	20.54	20.62	20.71
	18"	20.13	20.21	20.30	20.38	20.47	20.55	20.64	20.72	20.81
19"	20.23	20.31	20.40	20.48	20.57	20.65	20.74	20.82	20.91	
20"	20.33	20.41	20.50	20.58	20.67	20.75	20.84	20.92	21.01	

Section A

Standard chair weight includes:
 Tubular Footrest W/O Plate
 Small Fork
 5" Casters
 3° Camber
 24" High Pressure Clinchers
 Med Hght-Adj Non Folding Backrest
 Backrest Upholstery
 Seat Sling w/hardware & Seat Rails

Section B Quickie GT Component Weights

To determine chair weight, add or subtract weights				
Component		Weight Lbs.	Component (con)	Weight Lbs.
Seating			Rear Tires (Pair)	
No Cushion		0.00	Pneumatic	1.30
2" Cushion		1.26	Pneumatic Airless Insert	3.30
Omit Seat Sling		-0.4	High Pressure Clincher	0.00
Back Type			Turbo Tread	0.00
Fixed		0.00	Kevlar Tire	0.60
Folding		0.07	Latex Tubular	0.00
Push Handles (Pair)			Mountain Tire	2.50
Bolt-On Push Handle (Pair)		1.53	Full Poly Tire	2.00
Fold Down Push Handles		1.69	Schwalbe Marathon Plus Evolution	1.30
Integral Push Handles		0.75	Kik Mako	1.30
Back Upholstery			Rear Wheels (Pair)	
Standard Back Upholstery		0.00	20" Spoke	-0.56
Adjustable Back Upholstery		1.35	20" Mag	-0.26
Jay Precision Back Upholstery		0.83	22" Spoke	-0.05
Asymmetric Lateral		1.20	22" Mag	-0.05
Symmetric Lateral		1.80	24" Spoke	0.00
Curved Headrest w/ Stabilizer Bar		4.30	24" Mag	4.50
Omit Back Upholstery		-0.87	26" Spoke	0.45
Armrest (Pair)			24" Mountain	2.35
Padded Swing Away Adult		1.68	22" Ultra Lightweight Wheel	-2.60
Padded Swing Away Adult Long		1.77	24" Ultra Lightweight Wheel	-2.00
Padded Swing Away Kids		1.46	26" Ultra Lightweight Wheel	-1.85
Padded Arm Receiver Std		0.98	24" Heat Treated Basketball	-0.05
Padded Arm Receiver Angle Adjustable		1.12	24" Heat Treated Tennis	-0.20
Adult Height Adj. Armrest		6.16	26" Heat Treated Basketball	1.45
Kids Height Adjustable Armrest		5.76	26" Heat Treated Tennis	1.35
Desk Pad (10")		0.00	24" Spinergy (540)	-0.75
Full Pad (14)		0.30	24" Spinergy (559)	-0.55
Footrest			26" Spinergy (590)	-0.19
Tubular with Leg Strap		0.00	Handrims (Pair)	
Platform Footrest (12W)		1.08	Aluminum Handrims	0.00
Flat Cover (12W)		0.11	Plastic Coated Handrims	1.10
High Mount Platform		1.87	Vertical Handrims	1.50
Flared Cover (12W)		0.35	Oblique Handrims	1.90
Omit Leg Strap		-0.15	Natural Fit Handrims	1.51
Adaptive Platform Spacers (Pair)			Omit Handrims	-2.05
2" Spacer		0.16	Axles (Pair)	
4" Spacer		0.34	Standard Steel Quick Release	0.00
6" Spacer		0.51	Quad Quick Release Axles	0.15
Caster Wheels (Pair)			Titanium Quick Release	-0.10
3" Micro		-0.38	Quad Titanium Quick Release	0.00
3" Micro Lighted		-0.38	Fork	
4" Composite		-0.34	Frog Leg	0.64
4" Micro Lighted		-0.01	Accessories	
4" x 1.5" Wide Poly		0.75	Back Pack Adult	0.45
5" Composite		0.00	Back Pack Kids	0.25
5" Soft Roll Tire		1.11	Caddy	0.50
5" x 1.5" Wide Poly		1.10	Crutch Holder	0.49
6" Composite		0.54	Impact Guard - Neoprene	0.11
6" x 1.5" Wide Poly		1.45	Platform Positioning Plates	1.04
4" x 1.5" Wide Poly (Frog Legs)		1.10	Rear Anti Tip	0.98
5" x 1.5" Wide Poly (Frog Legs)		1.57	Seat Pouch	0.20
6" x 1.5" Wide Poly (Frog Legs)		2.18	Spoke Guard	1.70
Wheel Locks (Pair)			Travel Wheel	1.02
High Mount Push Wheel Lock		0.64	X-tra Leg Strap	0.15
High Mount Pull Wheel Lock		0.64	Xtender Option	
High Mount Scissor		0.68	Xtender Assm w/Solid Tire (16W)	40.50
High Mount Ergo		0.72	Xtender Assm w/Pneumatic Tire (16W)	37.20
Grade Aids		0.51	Total Weight (total weights from section B)	
6" Extension Handles		0.10	To determine chair weight, add weights from Section A and B	
Wheel Lock Clamps (Pair)			Total Weights	
Short Clamp		0.44		
Long Clamp		0.54		
Side Guard				
Fabric Sideguard Kids		0.20		
Fabric Sideguard Regular		0.25		
Plastic Sideguard Kids		1.55		
Plastic Sideguard Regular		1.85		
Aluminum Sideguard		0.82		
Aluminum Sideguard w/Fender		1.08		
calculation can vary by +/- .5 lbs.				

Sunrise Medical
 7477 E. Dry Creek Pkwy
 Longmont, CO 80503
 (800) 333-4000

