

GENERAL NOTES

1. ALL CONDUCTORS ARE NO. 12 THHN/THWN IN 3/4" CONDUIT, UNLESS NOTED OTHERWISE.
2. FOR TELECOMMUNICATIONS EQUIPMENT SCHEDULE, SEE DRAWING NUMBER 969T-6001.

KEYED NOTES

- ① INSTALL ISDN POWER SUPPLY SEI DP-700B WITH ALL CABLES FOR INTERCONNECTION TO MAIN VOICE FRAME.
- ② INCOMING FIBER CABLE MANAGEMENT AREA.
- ③ INSTALL NEMA L6-20R.
- ④ INSTALL 2-NEMA 5-20R.
- ⑤ 1/2" EMT CONDUIT.
- ⑥ 4" CONDUIT UP TO HORIZONTAL BACKBONE.
- ⑦ INSTALL WALL MOUNTED GROUND BUS 20"x4"x1/4". MOUNT AT 8" ABOVE FINISHED FLOOR.
- ⑧ INSTALL #4/0 GROUND CONDUCTOR IN 1" CONDUIT TO MAIN ELECTRICAL SERVICE ENTRANCE GROUND BUS.
- ⑨ INSTALL #4/0 GROUND CONDUCTOR FROM DUCT BANK TO GROUND BUS.
- ⑩ INSTALL #6 INSULATED GREEN GROUND.
- ⑪ SEE DETAIL ①.
- ⑫ INSTALL 2 EACH CABLE MANAGERS IN EACH FIBER TERMINATION CABINET.

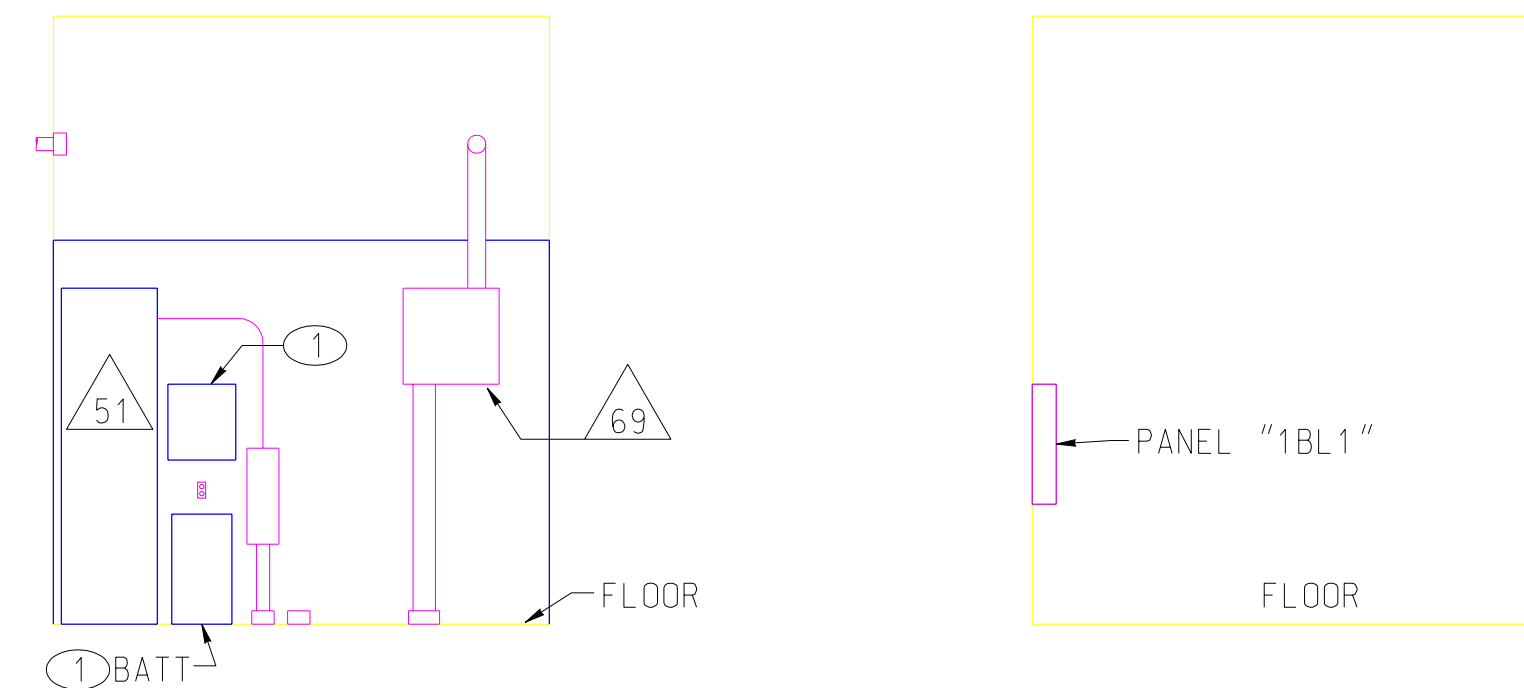
TYPICAL IDR LAYOUT
SCALE: 1/4" = 1'-0"

IDR FLOOR PLAN - EQUIPMENT/RECEPTACLES
SCALE: 1/4" = 1'-0"

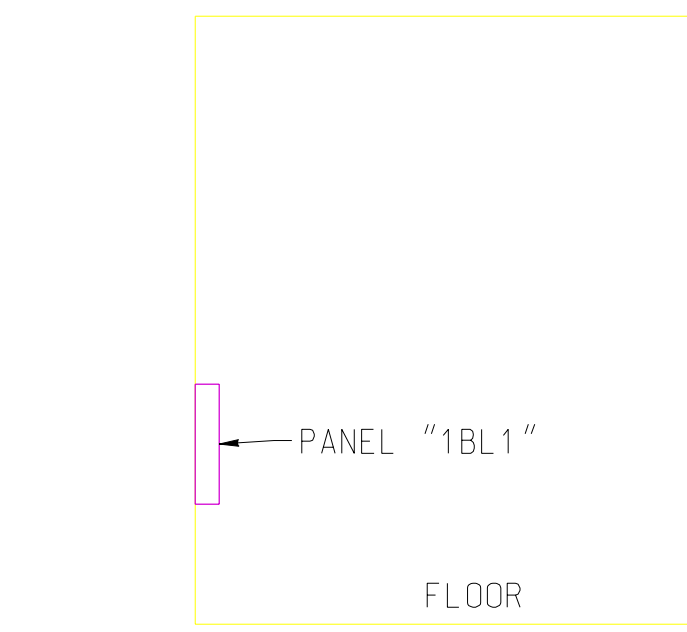
IDR FLOOR PLAN - CONDUIT AND GROUNDING LAYOUT
SCALE: 1/4" = 1'-0"



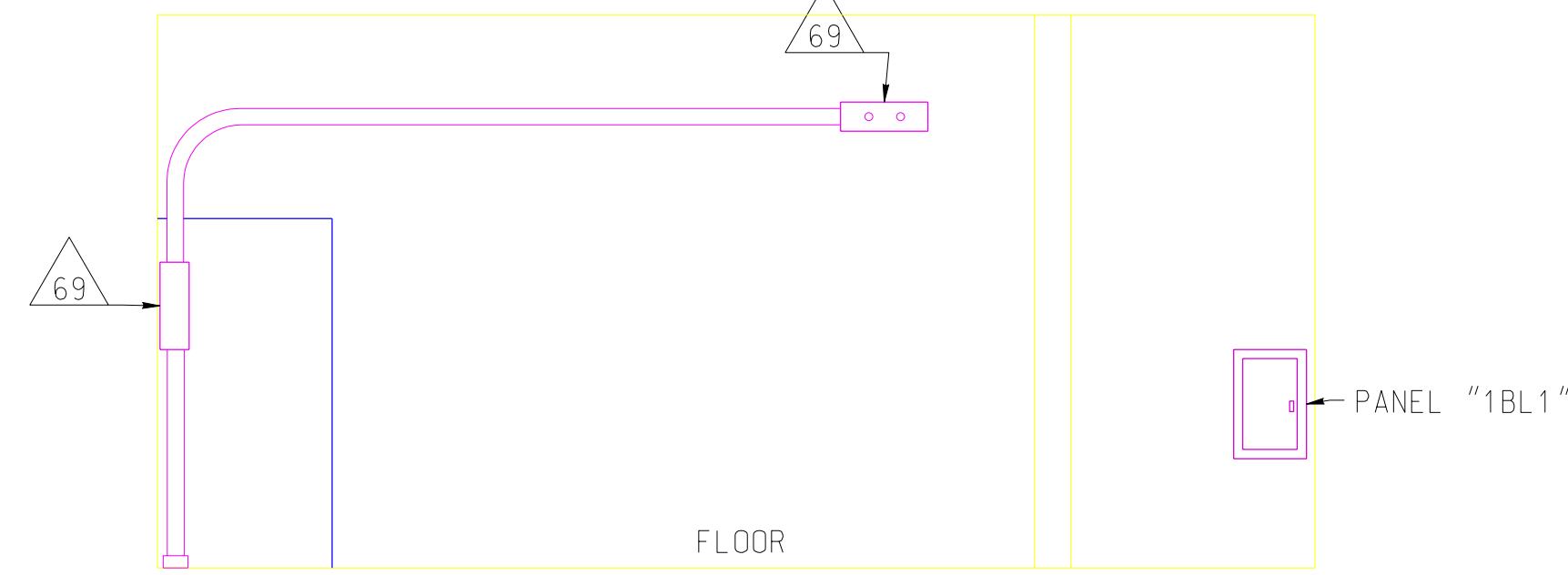
A ELEVATION
SCALE: 1/4" = 1'-0"



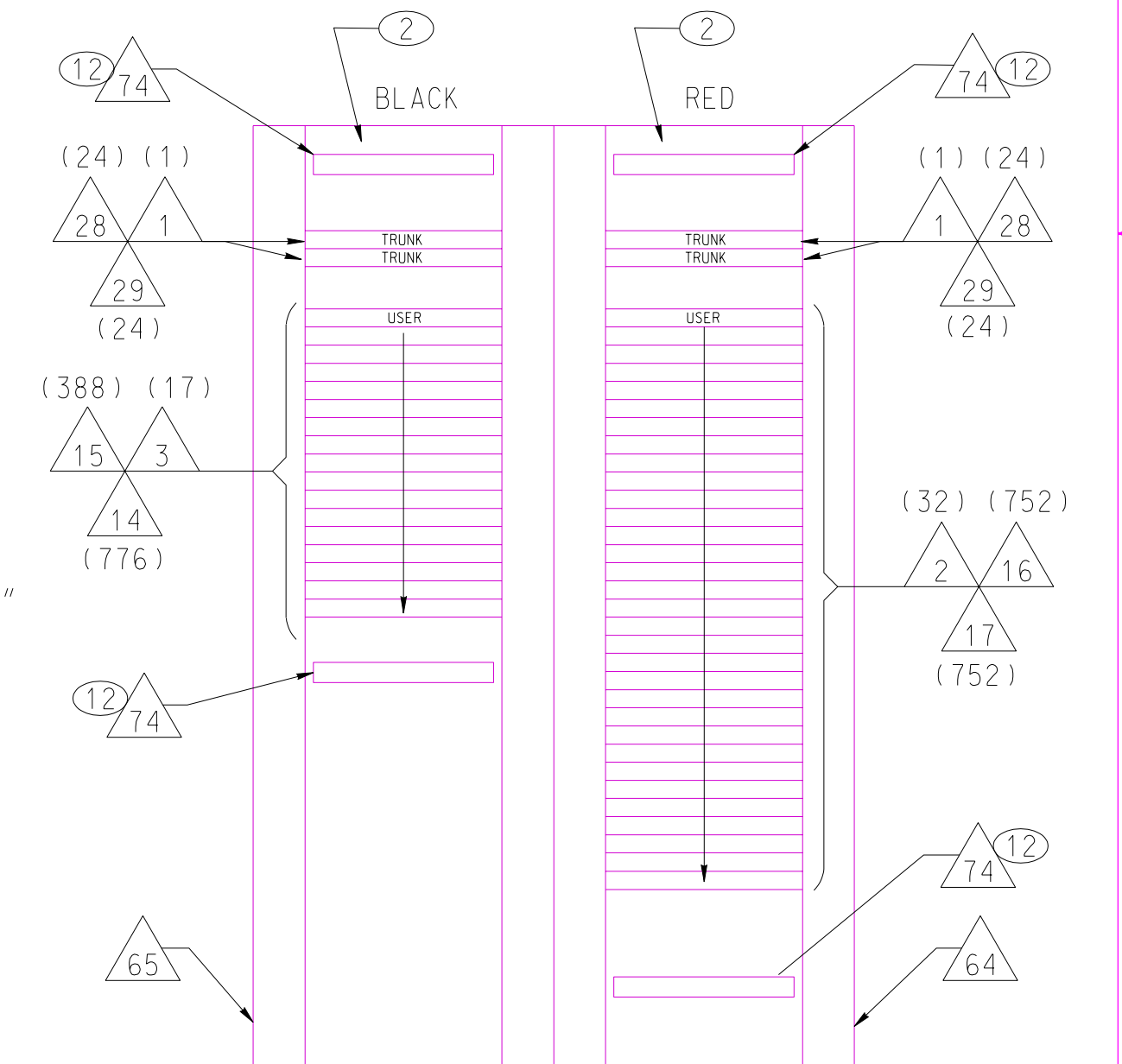
B ELEVATION
SCALE: 1/4" = 1'-0"



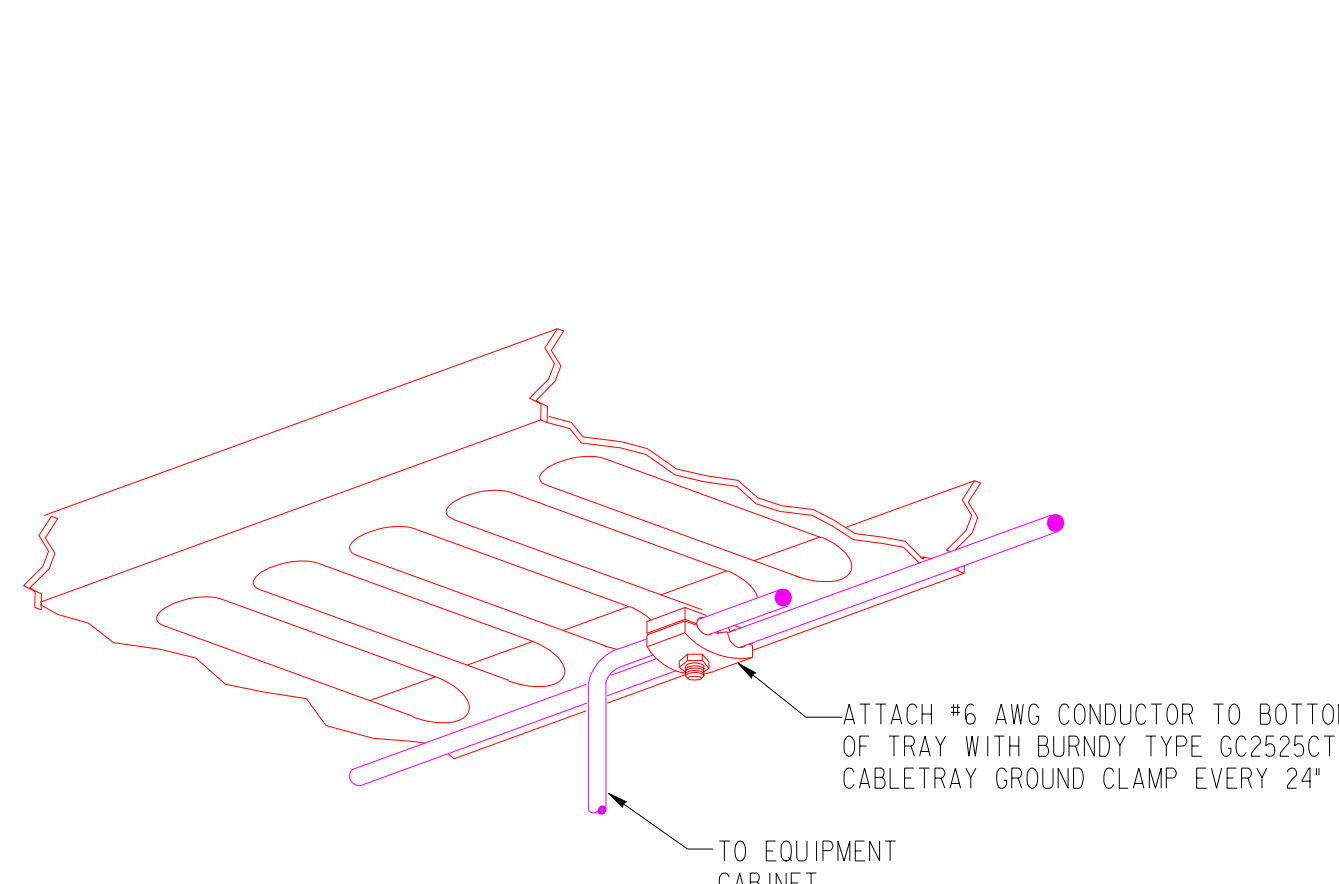
C ELEVATION
SCALE: 1/4" = 1'-0"



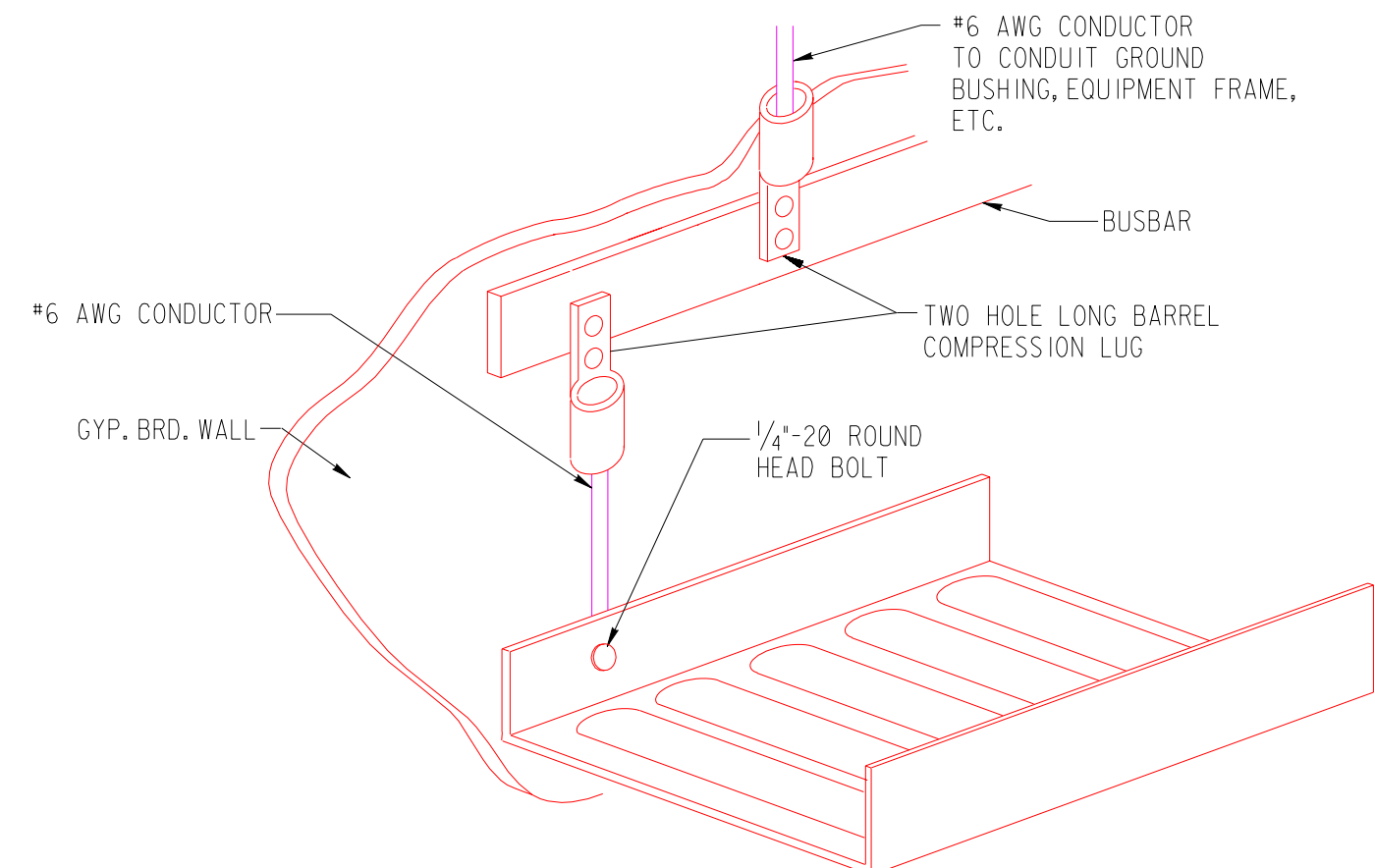
D ELEVATION
SCALE: 1/4" = 1'-0"



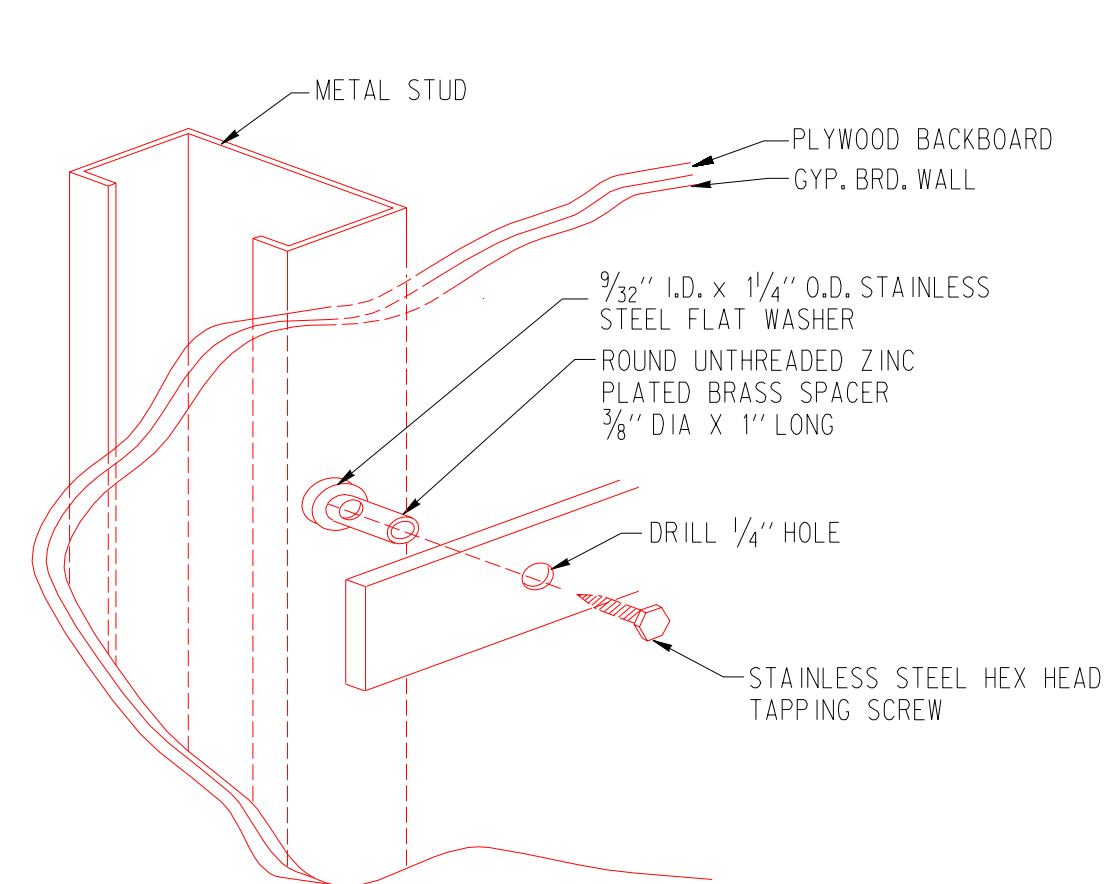
① FIBER TERMINATION CABINET DETAIL
SCALE: 3/4" = 1'-0"



① DETAIL - EQUIPMENT CABINET GROUND BUS CONDUCTOR
SCALE: NTS



② DETAIL - CONNECTIONS TO BUSBAR
SCALE: NTS



③ DETAIL - GROUND BUSBAR MOUNTING
SCALE: NTS

△					
△					
△	07-01-03	UPDATES		EG	FL
△	11/97	COMMUNICATIONS STD. MODS.		YMA	PD
P.O.	REV	DATE	DESCRIPTION	DWN	CKD
U.S. DEPARTMENT OF ENERGY					
KIRTLAND AREA OFFICE			ALBUQUERQUE, NEW MEXICO		
SANDIA NATIONAL LABORATORIES					
COMMUNICATIONS IDR LAYOUT & DETAILS			P.O.	PROJECT NO.	ES3419
			DRAWN BY	KAL/H&N	
			CHECKED BY	JRM/H&N	
			SNL ENGR	DATE	1 2/1 /95
TELECOMMUNICATIONS			STANDARD	SIZE DRAWING NO	
				D+ T-1 001 STD	
			MICROSTATION FILE		
			FILE NAME: T-1 001 STD.dgn		
			REFERENCE FILES: BORDER.DGN		

OLD FILE NAME: 104033/E07

REFERENCE FILES: BORDER.DGN