



Hall Effect Thruster Interactions Data From the Russian Express-A2 and Express-A3 Satellites Acquire TM Data for Type B Sensors for “Express-A” Number 2 Satellite for the Period of March 12, 2000 to and Including June 15, 2000, Task 25

N. Sitnikova, D. Volkov, I. Maximov, and V. Petrushevich
Nauchno-Proizvodstvennoe Obiedinenie Prikladnoi Mekhaniki, Krasnoyarsk region, Russia

D. Allen
Schafer Corporation, Chelmsford, Massachusetts

The NASA STI Program Office . . . in Profile

Since its founding, NASA has been dedicated to the advancement of aeronautics and space science. The NASA Scientific and Technical Information (STI) Program Office plays a key part in helping NASA maintain this important role.

The NASA STI Program Office is operated by Langley Research Center, the Lead Center for NASA's scientific and technical information. The NASA STI Program Office provides access to the NASA STI Database, the largest collection of aeronautical and space science STI in the world. The Program Office is also NASA's institutional mechanism for disseminating the results of its research and development activities. These results are published by NASA in the NASA STI Report Series, which includes the following report types:

- **TECHNICAL PUBLICATION.** Reports of completed research or a major significant phase of research that present the results of NASA programs and include extensive data or theoretical analysis. Includes compilations of significant scientific and technical data and information deemed to be of continuing reference value. NASA's counterpart of peer-reviewed formal professional papers but has less stringent limitations on manuscript length and extent of graphic presentations.
- **TECHNICAL MEMORANDUM.** Scientific and technical findings that are preliminary or of specialized interest, e.g., quick release reports, working papers, and bibliographies that contain minimal annotation. Does not contain extensive analysis.
- **CONTRACTOR REPORT.** Scientific and technical findings by NASA-sponsored contractors and grantees.

- **CONFERENCE PUBLICATION.** Collected papers from scientific and technical conferences, symposia, seminars, or other meetings sponsored or cosponsored by NASA.
- **SPECIAL PUBLICATION.** Scientific, technical, or historical information from NASA programs, projects, and missions, often concerned with subjects having substantial public interest.
- **TECHNICAL TRANSLATION.** English-language translations of foreign scientific and technical material pertinent to NASA's mission.

Specialized services that complement the STI Program Office's diverse offerings include creating custom thesauri, building customized databases, organizing and publishing research results . . . even providing videos.

For more information about the NASA STI Program Office, see the following:

- Access the NASA STI Program Home Page at <http://www.sti.nasa.gov>
- E-mail your question via the Internet to help@sti.nasa.gov
- Fax your question to the NASA Access Help Desk at 301-621-0134
- Telephone the NASA Access Help Desk at 301-621-0390
- Write to:
NASA Access Help Desk
NASA Center for Aerospace Information
7121 Standard Drive
Hanover, MD 21076



Hall Effect Thruster Interactions Data From the Russian Express-A2 and Express-A3 Satellites Acquire TM Data for Type B Sensors for “Express-A” Number 2 Satellite for the Period of March 12, 2000 to and Including June 15, 2000, Task 25

N. Sitnikova, D. Volkov, I. Maximov, and V. Petrushevich
Nauchno-Proizvodstvennoe Obiedinenie Prikladnoi Mekhaniki, Krasnoyarsk region, Russia

D. Allen
Schafer Corporation, Chelmsford, Massachusetts

Prepared under Contracts NAS3-99151 and NAS3-99204

National Aeronautics and
Space Administration

Glenn Research Center

Trade names or manufacturers' names are used in this report for identification only. This usage does not constitute an official endorsement, either expressed or implied, by the National Aeronautics and Space Administration.

Available from

NASA Center for Aerospace Information
7121 Standard Drive
Hanover, MD 21076

Available electronically at <http://gltrs.grc.nasa.gov>

Preface

This 12-part report documents the data obtained from various sensor measurements taken aboard the Russian Express-A2 and Express-A3 spacecraft in Geosynchronous Earth Orbit (GEO). These GEO communications satellites, which were designed and built by NPO Pribladnoy Mekhaniki (NPO PM) of Zheleznogorsk, Russia, utilize Hall thruster propulsion systems for north-south and east-west station-keeping and as of June 2002, were still operating at 80° E. and 11° W., respectively. Express-A2 was launched on March 12, 2000, while Express-A3 was launched on June 24, 2000. The diagnostic equipment from which these data were taken includes electric field strength sensors, ion current and energy sensors, and pressure sensors. The diagnostics and the Hall thruster propulsion systems are described in detail along with lists of tabular data from those diagnostics and propulsion system and other satellite systems.

Space Power, Inc., now part of Pratt & Whitney's Chemical Systems Division, under contract NAS3-99151 to the NASA Glenn Research Center, obtained these data over several periods from March 12, 2000, through September 30, 2001. Each of the 12 individual reports describe, in detail, the propulsion systems as well as the diagnostic sensors utilized.

Finally, parts 11 and 12 include the requirements to which NPO PM prepared and delivered these data.

Filename	Title
CR-2003-212005-PART1.pdf	Hall Effect Thruster Interactions Data From the Russian Express-A2 and Express-A3 Satellites Acquire Express-A2 SPT-100 Based Propulsion Subsystem and Other Subsystem Flight Operation TM-Data for the Period of March 12, 2000 to and Including June 15, 2000, Task 29
CR-2003-212005-PART2.pdf	Hall Effect Thruster Interactions Data From the Russian Express-A2 and Express-A3 Satellites Acquire TM-Data for Type B Sensors for "Express-A" Number 2 Satellite for the Period of March 12, 2000 to and Including June 15, 2000, Task 25
CR-2003-212005-PART3.pdf	Hall Effect Thruster Interactions Data From the Russian Express-A2 and Express-A3 Satellites Acquire Express-A3 SPT-100 Based Propulsion Subsystem and Other Subsystem Flight Operation TM-Data for the Period of June 24, 2000 to and Including September 30, 2000, Task 30
CR-2003-212005-PART4.pdf	Hall Effect Thruster Interactions Data From the Russian Express-A2 and Express-A3 Satellites Acquire TM-Data for Type A and Type B Sensors for "Express-A" Number 3 Satellite for the Period of June 24, 2000 to and Including September 30, 2000, Task 27A

Filename	Title
CR-2003-212005-PART5.pdf	Hall Effect Thruster Interactions Data From the Russian Express-A2 and Express-A3 Satellites Acquire Express-A3 SPT-100 Based Propulsion Subsystem and Other Subsystem Flight Operation TM-Data for the Period of October 1, 2000 to and Including December 31, 2000, Task 31
CR-2003-212005-PART6.pdf	Hall Effect Thruster Interactions Data From the Russian Express-A2 and Express-A3 Satellites Acquire TM-Data for Type A and Type B Sensors for "Express-A" Number 3 Satellite for the Period of October 1, 2000 to and Including December 31, 2000, Task 27B
CR-2003-212005-PART7.pdf	Hall Effect Thruster Interactions Data From the Russian Express-A2 and Express-A3 Satellites Acquire Express-A3 SPT-100 Based Propulsion Subsystem and Other Subsystem Flight Operation TM-Data for the Period of January 1, 2001 to and Including March 31, 2001, Task 32
CR-2003-212005-PART8.pdf	Hall Effect Thruster Interactions Data From the Russian Express-A2 and Express-A3 Satellites Acquire TM-Data for Type A and Type B Sensors for "Express-A" Number 3 Satellite for the Period of January 1, 2001 to and Including March 31, 2001, Task 27C
CR-2003-212005-PART9.pdf	Hall Effect Thruster Interactions Data From the Russian Express-A2 and Express-A3 Satellites Acquire Express-A3 SPT-100 Based Propulsion Subsystem and Other Subsystem Flight Operation TM-Data for the Period of July 1, 2001 to and Including September 30, 2001, Task 33
CR-2003-212005-PART10.pdf	Hall Effect Thruster Interactions Data From the Russian Express-A2 and Express-A3 Satellites Acquire TM-Data for Type A and Type B Sensors for "Express-A" Number 3 Satellite for the Period of July 1, 2001 to and Including September 30, 2001, Task 27D
CR-2003-212005-PART11.pdf	Hall Effect Thruster Interactions Data From the Russian Express-A2 and Express-A3 Satellites Express/T-160E Project Express A2 and A3 Data Agreement Document
CR-2003-212005-PART12.pdf	Hall Effect Thruster Interactions Data From the Russian Express-A2 and Express-A3 Satellites Express/T-160E Project Express A2 and A3 Sensors Operations Procedures Document

TABLE OF CONTENTS

ACRONYMS	viii
INTRODUCTION	1
1. EXPRESS-A #2 SPACECRAFT MEASURING EQUIPMENT.....	2
1.1. ELECTRIC FIELD SENSOR (DEP).....	2
1.1.1. DEP sensor description	2
1.1.2. DEP sensor calibration testing.....	3
1.2. IONIC CURRENT DENSITY SENSOR (DRT)	4
1.2.1. DRT sensor design description.....	4
1.2.2. DRT sensor ground testing.....	5
2. POSITIONS OF THE MEASURING EQUIPMENT ON THE EXPRESS-A № 2 SPACECRAFT	6
3. THE RESULTS OF OPERATING THE GAUGE EQUIPMENT ON THE EXPRESS-A № 2 SPACECRAFT.....	9
3.1. ELECTRIC FIELD STRENGTH.....	9
3.1.1. Amount of data acquired from the DEP sensors	9
3.1.2. The tables of data from the DEP sensors	9
3.2. IONIC CURRENT DENSITY.....	11
ANNEX 1. INFORMATION FROM DEP-SENSORS FOR 14/03/00.....	13
ANNEX 2. INFORMATION FROM DEP-SENSORS FOR 15/03/00.....	15
ANNEX 3. INFORMATION FROM DEP-SENSORS FOR 16/03/00.....	18
ANNEX 4. INFORMATION FROM DEP-SENSORS FOR 17/03/00.....	21
ANNEX 5. INFORMATION FROM DEP-SENSORS FOR 18/03/00.....	24
ANNEX 6. INFORMATION FROM DEP-SENSORS FOR 19/03/00.....	27
ANNEX 7. INFORMATION FROM DEP-SENSORS FOR 20/03/00.....	30
ANNEX 8. INFORMATION FROM DEP-SENSORS FOR 21/03/00.....	33
ANNEX 9. INFORMATION FROM DEP-SENSORS FOR 22/03/00.....	36
ANNEX 10. INFORMATION FROM DEP-SENSORS FOR 23/03/00.....	39
ANNEX 11. INFORMATION FROM DEP-SENSORS FOR 06/04/00.....	41
ANNEX 12. INFORMATION FROM DEP-SENSORS FOR 12/04/00.....	44
ANNEX 13. INFORMATION FROM DEP-SENSORS FOR 13/04/00.....	47

ANNEX 14. INFORMATION FROM DEP-SENSORS FOR 15/04/00	50
ANNEX 15. INFORMATION FROM DEP-SENSORS FOR 16/04/00	53
ANNEX 16. INFORMATION FROM DEP-SENSORS FOR 17/04/00	56
ANNEX 17. INFORMATION FROM DEP-SENSORS FOR 18/04/00	59
ANNEX 18. INFORMATION FROM DEP-SENSORS FOR 22/04/00	62
ANNEX 19. INFORMATION FROM DEP-SENSORS FOR 23/04/00	65
ANNEX 20. INFORMATION FROM DEP-SENSORS FOR 24/04/00	68
ANNEX 21. INFORMATION FROM DEP-SENSORS FOR 28/04/00	71
ANNEX 22. INFORMATION FROM DEP-SENSORS FOR 29/04/00	74
ANNEX 23. INFORMATION FROM DEP-SENSORS FOR 30/04/00	77
ANNEX 24. INFORMATION FROM DEP-SENSORS FOR 10/05/00	80
ANNEX 25. INFORMATION FROM DEP-SENSORS FOR 11/05/00	83
ANNEX 26. INFORMATION FROM DEP-SENSORS FOR 17/05/00	85
ANNEX 27. INFORMATION FROM DEP-SENSORS FOR 18/05/00	88
ANNEX 28. INFORMATION FROM DEP-SENSORS FOR 19/05/00	91
ANNEX 29. INFORMATION FROM DEP-SENSORS FOR 20/05/00	94
ANNEX 30. INFORMATION FROM DEP-SENSORS FOR 21/05/00	97
ANNEX 31. INFORMATION FROM DEP-SENSORS FOR 23/05/00	98
ANNEX 32. INFORMATION FROM DEP-SENSORS FOR 24/05/00	102
ANNEX 33. INFORMATION FROM DEP-SENSORS FOR 29/05/00	105
ANNEX 34. INFORMATION FROM DEP-SENSORS FOR 02/06/00	108
ANNEX 35. INFORMATION FROM DEP-SENSORS FOR 03/06/00	111
ANNEX 36. INFORMATION FROM DEP-SENSORS FOR 04/06/00	114
ANNEX 37. INFORMATION FROM DEP-SENSORS FOR 08/06/00	117
ANNEX 38. INFORMATION FROM DEP-SENSORS FOR 11/06/00	120
ANNEX 39. INFORMATION FROM DRT-SENSORS FOR 16/03/00.....	123
ANNEX 40. INFORMATION FROM DRT-SENSORS FOR 17/03/00.....	125
ANNEX 41. INFORMATION FROM DRT-SENSORS FOR 19/03/00.....	128

ANNEX 42. INFORMATION FROM DRT-SENSORS FOR 20/03/00.....	129
ANNEX 43. INFORMATION FROM DRT-SENSORS FOR 12/04/00.....	130
ANNEX 44. INFORMATION FROM DRT-SENSORS FOR 13/04/00.....	132
ANNEX 45. INFORMATION FROM DRT-SENSORS FOR 15/04/00.....	133
ANNEX 46. INFORMATION FROM DRT-SENSORS FOR 16/04/00.....	134
ANNEX 47. INFORMATION FROM DRT-SENSORS FOR 17/04/00.....	135
ANNEX 48. INFORMATION FROM DRT-SENSORS FOR 28/04/00.....	137
ANNEX 49. INFORMATION FROM DRT-SENSORS FOR 29/04/00.....	138
ANNEX 50. INFORMATION FROM DRT-SENSORS FOR 30/04/00.....	139
ANNEX 51. INFORMATION FROM DRT-SENSORS FOR 04/05/00.....	140
ANNEX 52. INFORMATION FROM DRT-SENSORS FOR 05/05/00.....	142
ANNEX 53. INFORMATION FROM DRT-SENSORS FOR 06/05/00.....	145
ANNEX 54. INFORMATION FROM DRT-SENSORS FOR 07/05/00.....	147
ANNEX 55. INFORMATION FROM DRT-SENSORS FOR 08/05/00.....	148
ANNEX 56. INFORMATION FROM DRT-SENSORS FOR 09/05/00.....	149
ANNEX 57. INFORMATION FROM DRT-SENSORS FOR 11/05/00.....	150

Acronyms

DRT	Plasma sensor used to measure current density
DEP	Electric field sensor
S/C	Spacecraft
SBRAS	Siberian Branch of Russian Academy of Sciences
TM	Telemetry
MLI	Multi-Layer Insulation

Introduction

On March 12, 2000 the EXPRESS-A #2 spacecraft was injected into geostationary orbit.

To measure artificial plasma characteristics around the spacecraft the following measuring equipment was mounted on the EXPRESS-A #2 spacecraft:

- three DEP sensors – to measure electric field strength,
- two DRT sensors – to measure ionic current density.

This report is issued pursuant to requirements of Contract № 97-1088-02 task 25 and composed in compliance with the agreed contents of sections of document “EXPRESS /T-160E Project, EXPRESS-A2 and A3 Sensors, Operations Procedures Document» dated 06/11/00”.

In the document, all changeable parameters and their change are referred to the Moscow Decree Time.

1. EXPRESS-A #2 spacecraft measuring equipment

1.1. Electric field sensor (DEP)

1.1.1. DEP sensor description

Measuring the electric field strength is performed with small-size vibration type sensors. The sensor is implemented as a cylinder diameter of 26 mm and length of 70 mm whose end has a hole for an electrode (see Fig. 1.1). With help of the electromagnetic vibrator, a gilt male electrode moves into the sensor's hole, and the charge induced on an electrode is registered using the preliminary amplifier located within the sensor body.

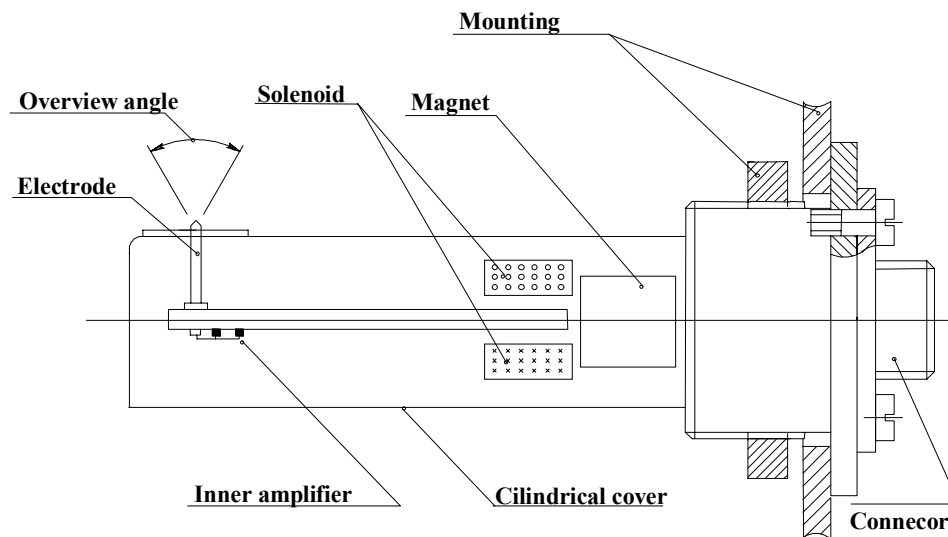


Fig.1.1. Electric field sensor design

1.1.2. DEP sensor calibration testing

Calibrating the sensors performed by putting it into the field simulator (see Fig. 1.2) which is two plates subjected to potential difference of -300 V to $+300\text{ V}$. The sensor body is connected to one of the plates. Potential of the second plate divided by the distance to the sensing electrode of the sensor determines the electric field value measured by the sensor.

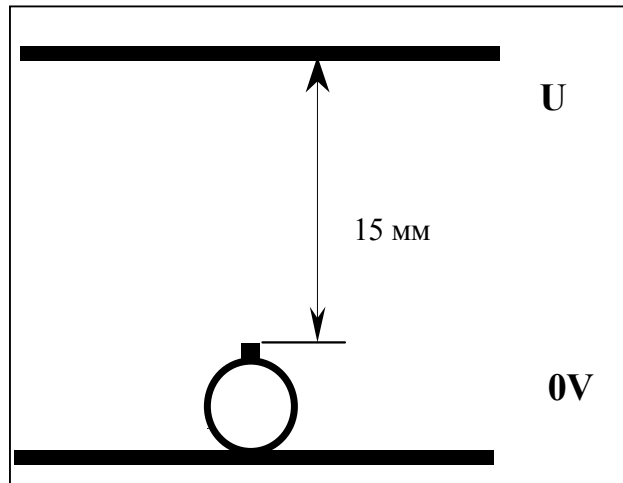


Fig. 1.2

The dependencies obtained on results of testing are summarized in Table 1.1 and entered to TM-processing of EXPRESS-A #2 S/C telemetry data down-linked.

Table 1.1

Voltage (V)	DEP1 (KV/m)	DEP2 (KV/m)	ДЭПЗ (KV/m)
300	6.876	6.079	6.592
100	5.593	4.811	5.311
30	1.820	2.084	1.966
10	0.764	0.753	0.613
0	0	0	0
-10	-0.669	-0.512	-0.596
-30	-2.028	-1.783	-1.877
-100	-5.650	-4.827	-5.365
-300	-7.008	-5.968	-6.646

The measurement error is not more than 20%.

1.2. Ionic current density sensor (DRT)

1.2.1. DRT sensor design description

Measuring the SPT-100 thruster propellant ion current is performed with a two-grid probe having the Faraday cylinder type collector. All the electrodes and the sensor body are manufactured from stainless steel. The grids have transparency of 0.6. The distances between the grids and the collector are 1.5 mm each. All the electrodes are separated by Teflon[®] isolators.

The first grid is grounded. The second grid is supplied with negative potential of -40 V in order to cut off both thermal electrons and photo-emission electrons.

Fig.1.3 gives the sensor design.

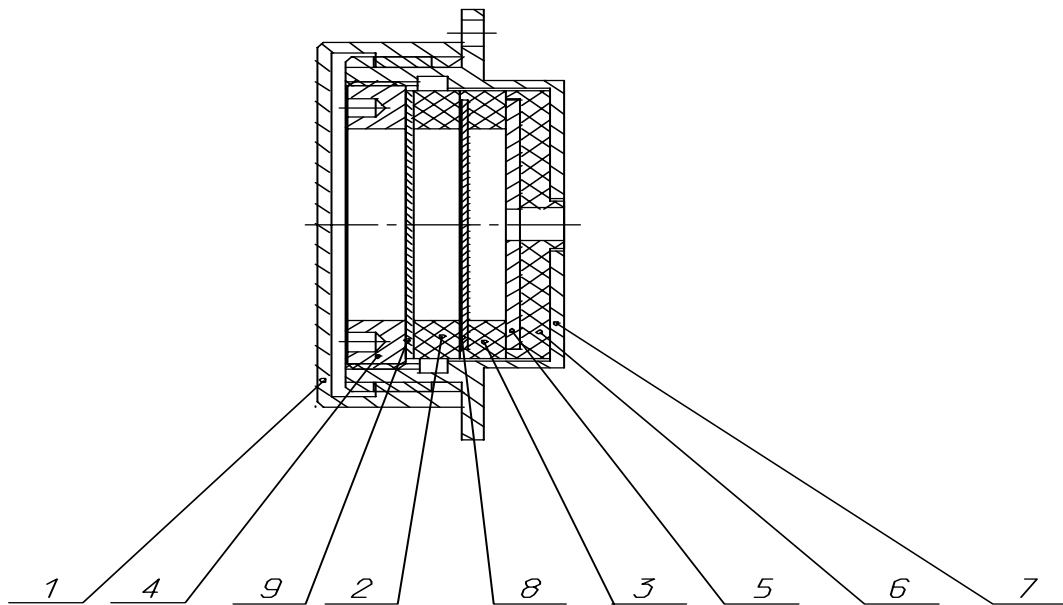


Fig.1.3. Ionic current density sensor design

Where:

- 1 - protective cap to be removed before testing,
- 2, 3 - Teflon[®] isolator,
- 4 - clamping nut,
- 5 - disk-electrode receiving charged particles,
- 6 - Teflon[®] isolator,
- 7 - current-receiving unit body,
- 8 - stainless steel grid generating the detaining potential,
- 9 - input shielding stainless steel grid.

The sensor is installed into the body having fixing lugs and two high-resistance (10^{15} Ohms) connectors to supply negative voltage to the second grid and to sample current from the collector.

The DRT sensor provides for measurements of the 10^{-5} to 10^{-11} A/cm^2 current of both polarities.

1.2.2. DRT sensor ground testing

Calibration of the DRT sensors consists in general from two individual procedures. The first one consists in determination of the effective sensor-square. This portion of work was performed on a dedicated test-bench at SBRAS's Laser Physics Institute (Novosibirsk-city). The sensors have the effective square: DRT1 – 1.04 cm², DRT2 - 1.02 cm².

Separately, current-calibration of the DRT sensors is performed. To this aim, the receiving disk electrode is supplied with a value-calibrated current, and actual sensor-generated readings are recorded. Thus, the DRT sensor current performances are obtained covering all measurement ranges.

The dependencies obtained on results of testing are summarized in Table 1.2 and entered to TM-processing of EXPRESS-A #2 S/C telemetry data down-linked.

Table 1.2

Meter input current, nA	DRT1, mA	DRT2, mA
2040.816	0.005618	0.00625
384.6154	0.001096	0.001157
71.42857	0.000203	0.000217
13.33333	2.83E-05	3.15E-05
3.174603	6.51E-06	8.14E-06
0.625	1.39E-06	1.59E-06
-2040.82	-0.00595	-0.00617
-384.615	-0.00107	-0.00116
-71.4286	-0.0002	-0.00022
-13.3333	-2.4E-05	-3.2E-05
-3.1746	-6.9E-06	-7.8E-06
-0.625	-1.2E-06	-1.4E-06

The measurement error is not more than 15%.

To determine the current density, one has to divide the current value by the effective sensor square.

2. Positions of the measuring equipment on the EXPRESS-A № 2 spacecraft

A general view of the EXPRESS-A № 2 spacecraft, indicating the sensor positions (DEP's and DRT's) is shown on Figs. 2.1 to 2.2. The DRT2 sensor is mounted under the MLI.

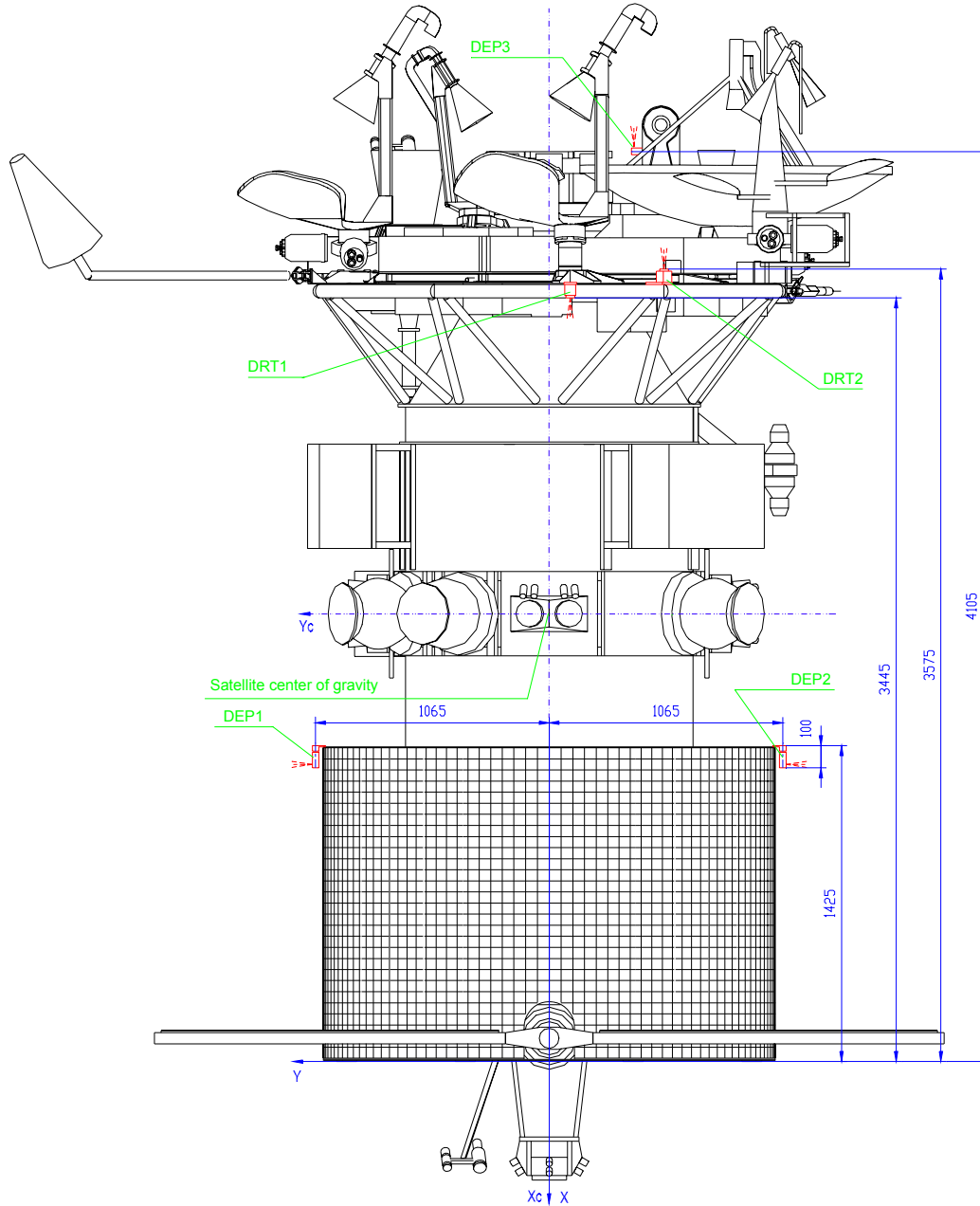


Fig. 2.1.

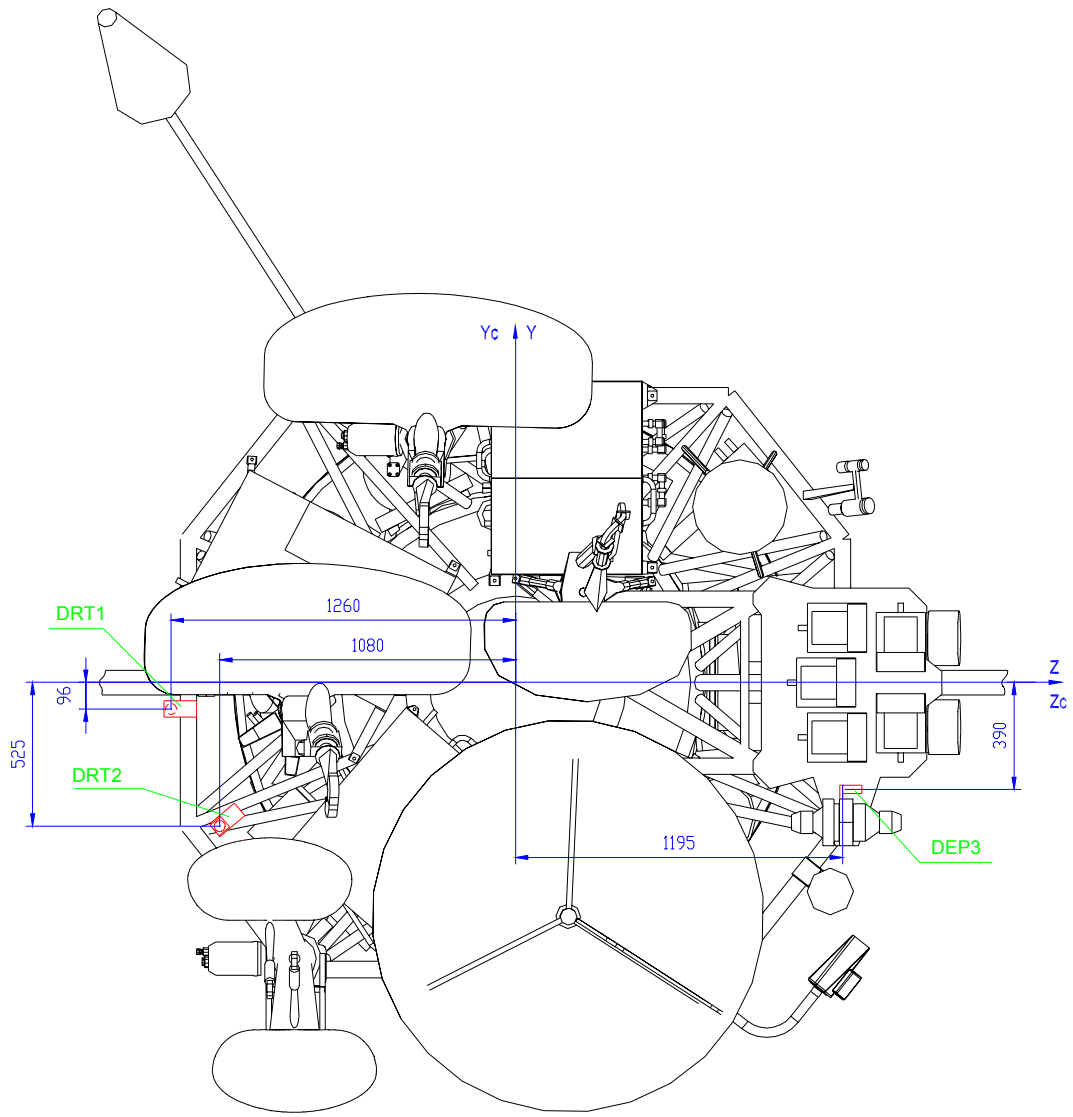


Fig. 2.2.

A layout of the SPT thrusters w.r.t. the EXPRESS-A № 2 S/C gravity center is given in Fig. 2.3. The distance specified is from the gravity center to the shear of the SPT thrusters.

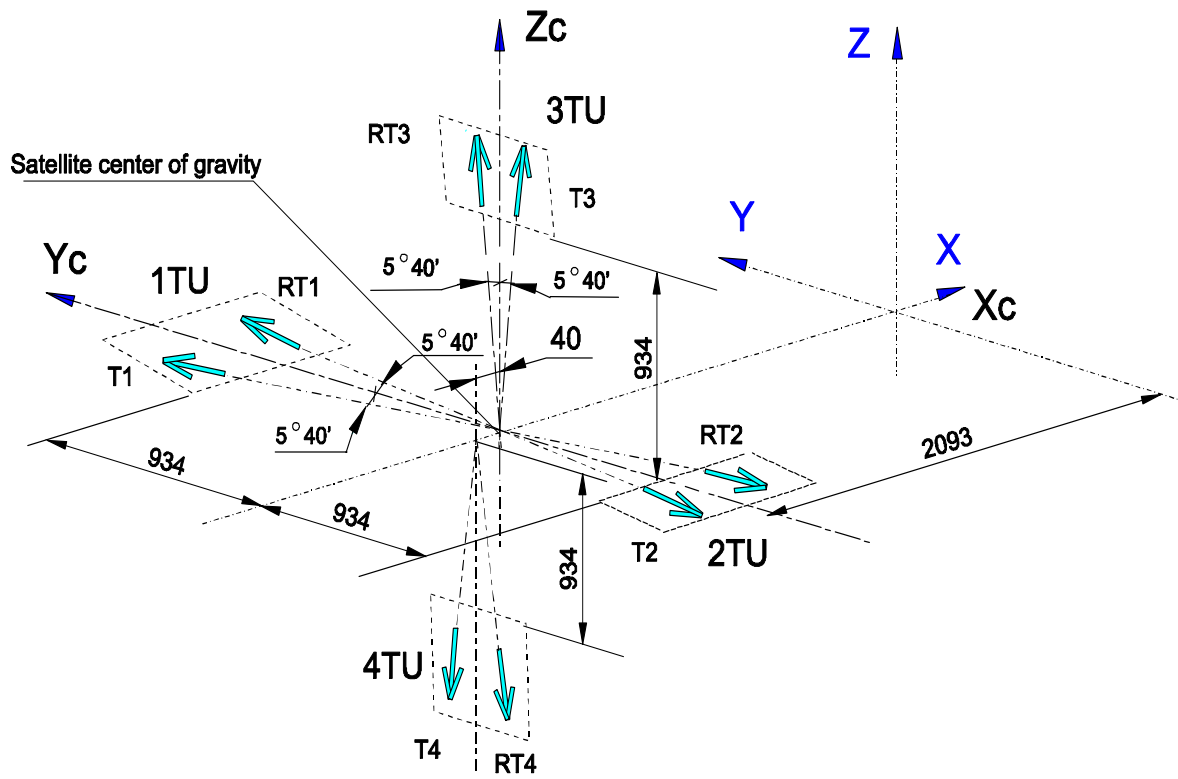


Fig. 2.3.

3. The results of operating the gauge equipment on the EXPRESS-A № 2 spacecraft

3.1. Electric field strength

3.1.1. Amount of data acquired from the DEP sensors

For the period from March 12 till June 21, 2000, data from the DEP sensors of the EXPRESS-A № 2 S/C were loaded in the reporting field at the 6-minute interval. The reporting field has been down-linked 13 times. In Table 3.1, dates and time of report acquisition sessions are given as well as the period for which the data were acquired.

Table 3.1

№	Date/time of report acquisitions	Data/time acquisitions period	
		Beginning	End
001	20-Mar-2000/13:35:16	14-Mar-2000/08:03:54	20-Mar-2000/13:35:16
002	23-Mar-2000/19:05:16	14-Mar-2000/08:03:54	23-Mar-2000/19:05:16
003	01-Apr-2000/15:00:33	22-Mar-2000/20:00:33	01-Apr-2000/15:00:33
004	10-Apr-2000/11:38:14	31-Mar-2000/14:02:14	10-Apr-2000/11:38:14
005	20-Apr-2000/09:08:55	10-Apr-2000/13:56:55	20-Apr-2000/09:08:55
006	30-Apr-2000/21:10:29	21-Apr-2000/01:52:29	30-Apr-2000/21:10:29
007	11 May-2000/11:38:12	09-May-2000/12:02:12	11-May-2000/11:38:12
008	16-May-2000/11:32:10		
009	17-May-2000/11:25:34	16-May-2000/11:43:34	17-May-2000/11:25:34
010	21-May-2000/11:06:11	16-May-2000/11:42:11	21-May-2000/11:06:11
011	01- Jun -2000/10:50:37	22-May-2000/11:38:37	01-Jun -2000/10:50:37
012	11- Jun -2000/11:42:10	01- Jun -2000/17:36:13	11- Jun -2000/11:42:1
013	21-Jun -2000/10:27:34	11- Jun -2000/11:33:34	21- Jun-2000/10:27:34

3.1.2. The tables of data from the DEP sensors

The list of daily sessions presented in this report is given in Table 3.2. The following data are given in this table as well:

- daily slice of time for which the data are presented;
- operating thruster number (if fired);
- direction of thruster operation;
- SPT firing duration;
- № of the annex where the data are given.

Table 3.2

Date, yy:mm:dd	Session time, h:min		Thruster/direction	SPT operation, h:min:s		DEP sensors data, № of annex
	Beginning	End		Beginning	End	
2000-03-14	08:05	23:41	-	-	-	1
2000-03-15	00:05	23:59	-	-	-	2
2000-03-16	00:05	23:59	T1-RT4 /($\pm Y, \pm Z$). 32 firings, totally	See Annex 1 to the Report on Task № 29		3
2000-03-17	00:05	23:59	T2C1/(-Y)	02:59:44	03:59:44	4
			T2C1/(-Y)	12:39:40	19:59:40	
			T2C1/(-Y)	21:59:44		
2000-03-18	00:05	23:59			01:39:44	5
2000-03-19	00:05	23:59	T2C1/(-Y)	17:59:48	19:59:48	6
			T2C1/(-Y)	21:59:44		
2000-03-20	00:05	23:59			01:39:44	7
2000-03-21	00:05	23:59	-	-	-	8
2000-03-22	00:05	23:59	-	-	-	9
2000-03-23	00:05	19:05	-	-	-	10
2000-04-06	00:05	23:56	-	-	-	11
2000-04-12	00:02	23:56	T4C1/(-Z)	08:59:40	10:59:40	12
2000-04-13	00:02	23:56	RT4C1/(-Z)	08:59:40	10:59:40	13
2000-04-15	00:02	23:56	T4C1/(-Z)	04:32:16	06:09:54	14
2000-04-16	00:02	23:56	T4C1/(-Z)	04:27:44	06:27:44	15
2000-04-17	00:02	23:56	T4C1/(-Z)	04:23:08	06:23:08	16
2000-04-18	00:02	23:56	T4C1/(-Z)	04:17:36	06:17:36	17
2000-04-22	00:04	23:58	T3C1/(+Z)	12:39:50	13:38:36	18
2000-04-23	00:04	23:58	T3C1/(+Z)	12:35:44	13:34:20	19
2000-04-24	00:04	23:58	T3C1/(+Z)	12:31:44	13:30:20	20
2000-04-28	00:04	23:58	RT2C1/(-Y)	15:59:44	03:59:44	21
2000-04-29	00:04	23:58				22
2000-04-30	00:04	21:10				23
2000-05-10	00:02	23:56	-	-	-	24
2000-05-11	00:02	11:38	RT1C1/(+Y)	08:29:44	02:14:44	25
2000-05-12	-	-				-
2000-05-17	00:00	23:54	T3C1/(+Z)	12:06:44	13:05:28	26
2000-05-18	00:00	23:54	T3C1/(+Z)	12:02:48	13:01:32	27
2000-05-19	00:00	23:54	T3C1/(+Z)	11:58:52	12:57:36	28
2000-05-20	00:00	23:54	T3C1/(+Z)	11:54:56	12:53:50	29
2000-05-21	00:00	11:06	T3C1/(+Z)	11:51:04	12:49:52	30
2000-05-23	00:02	23:56	RT3C1/(+Z)	12:49:15	14:49:15	31
2000-05-24	00:02	23:56	RT3C1/(+Z)	12:40:48	14:40:48	32
2000-05-29	00:02	23:56	T2C1/(-Y)	11:04:44	11:54:44	33
2000-06-02	00:00	23:54	T3C1/(+Z)	11:27:31	13:27:31	34
2000-06-03	00:00	23:54	T3C1/(+Z)	11:16:40	13:16:40	35
2000-06-04	00:00	23:48	T3C1/(+Z)	11:04:56	13:04:56	36
2000-06-08	00:00	23:54	RT3C1/(+Z)	10:40:56	11:40:00	37
2000-06-11	00:00	23:57	RT3C1/(+Z)	10:29:18	11:28:22	38

As a result of a high-power magnetic sub-storm on April 6, 2000, having Dst ~320 nT (The previous storm of such a magnitude was registered 8 years ago in May, 1992), an irreversible failure of the DEP2 sensor occurred (see Annex 11). The subsequent attempts to recover operations of this sensor were not successful.

3.2. Ionic current density

For the period from March 12 till June 15, 2000, polling the DRT sensors (measurements) of the EXPRESS-A № 2 S/C has been being performed when down-linking telemetry data from the S/C, prior to firing, during firing, and after cut-off of the SPT-100 thrusters. In Table 3.3 of this report, the following data are given:

- date and time of data acquisitions;
- operating thruster number;
- direction of thruster operation;
- SPT firing duration;
- № of the annex where the data are given.

Table 3.3

Date, yy:mm:dd	Session time, h:min:s		Thruster/direction	SPT operation, h:min:s		DRT sensors data, № of annex
	Beginning	End		Beginning	End	
2000-03-16	14:05:53	17:45:49	T1-RT4/(±Y, ±Z). 32 firings, totally	See Annex 1 to the Report on task № 29		39
2000-03-17	02:58:49	04:16:45	T2C1/(-Y)	02:59:44	03:59:44	40
	12:36:22	15:27:11	T2C1/(-Y)	12:39:40	19:59:40	
	19:10:00	20:20:00				
2000-03-19	17:47:00	18:48:00	T2C1/(-Y)	17:59:48	19:59:48	41
	21:44:00	22:30:00	T2C1/(-Y)	21:59:44		
2000-03-20	01:11:26	01:42:24	T2C1/(-Y)		01:39:44	42
2000-04-12	08:56:03	11:44:43	T4C1/(-Z)	08:59:40	10:59:40	43
2000-04-13	08:50:51	11:21:35	RT4C1/(-Z)	08:59:40	10:59:40	44
2000-04-15	04:18:00	06:11:00	T4C1/(-Z)	04:32:16	06:09:54	45
2000-04-16	04:25:27	06:33:42	T4C1/(-Z)	04:27:44	06:27:44	46
2000-04-17	04:25:36	06:27:22	T4C1/(-Z)	04:23:08	06:23:08	47
2000-04-22	12:35:00	13:40:00	T3C1/(+Z)	12:39:50	13:38:36	See the note to the table
2000-04-27	11:20:00	14:00:00	RT3C1/(+Z)	11:49:44	13:49:44	See the note to the table
2000-04-28	15:50:00	16:19:10	RT2C1/(-Y)	15:59:44		48
	17:41:30	18:10:00				
2000-04-29	04:03:00	05:30:00				
	14:20:00	15:00:00				
2000-04-30	03:30:00	04:10:00			03:59:44	50
2000-05-04	12:00:40	13:11:18	T4C1/(-Z)	12:04:40	12:19:40	51
	14:01:18	14:29:07	T4C1/(-Z)	14:04:40	14:19:40	
	16:02:06	16:32:01	T4C1/(-Z)	16:09:40	16:24:40	
	17:53:02	18:30:27	T4C1/(-Z)	18:09:40	18:24:40	
	20:07:29	20:32:11	T4C1/(-Z)	20:09:40	20:24:40	
	22:05:58	22:28:23	T4C1/(-Z)	22:09:40	22:24:40	
2000-05-05	00:05:07	00:28:36	T4C1/(-Z)	00:09:40	00:24:40	52
	02:05:07	02:28:36	T4C1/(-Z)	02:09:40	02:24:40	

Date, yy:mm:dd	Session time, h:min:s		Thruster/direction	SPT operation, h:min:s		DRT sensors data, № of annex
	Beginning	End		Beginning	End	
	04:03:37	04:36:42	T4C1/(-Z)	04:09:40	04:24:40	
	06:06:23	06:30:55	T4C1/(-Z)	06:09:40	06:24:40	
	08:04:52	08:30:29	T4C1/(-Z)	08:09:40	08:24:40	
	10:05:31	10:30:05	T4C1/(-Z)	10:09:40	10:24:40	
	12:10:25	12:37:05	RT4C1/(-Z)	12:14:40	12:29:40	
	14:12:06	14:35:35	RT4C1/(-Z)	14:14:40	14:29:40	
	16:10:37	16:35:10	RT4C1/(-Z)	16:14:40	16:29:40	
	18:10:11	18:35:48	RT4C1/(-Z)	18:14:40	18:29:40	
	20:10:49	20:31:06	RT4C1/(-Z)	20:14:40	20:29:40	
	22:12:31	22:32:48	RT4C1/(-Z)	22:14:40	22:29:40	
2000-05-06	00:10:35	00:36:13	RT4C1/(-Z)	00:14:40	00:29:40	53
	02:10:35	02:36:13	RT4C1/(-Z)	02:14:40	02:29:40	
	04:10:09	04:35:46	RT4C1/(-Z)	04:14:40	04:29:40	
	06:10:47	06:35:21	RT4C1/(-Z)	06:19:40	06:34:40	
	08:15:41	08:34:55	RT4C1/(-Z)	08:19:40	08:34:40	
	10:15:15	10:44:04	RT4C1/(-Z)	10:19:40	10:34:40	
	15:15:14	15:40:51	T4C1/(-Z)	15:19:40	15:34:40	
	21:15:01	21:40:38	T4C1/(-Z)	21:19:40	21:34:40	
2000-05-07	03:10:30	03:39:19	T4C1/(-Z)	03:19:40	03:34:40	54
	09:19:53	09:41:14	T4C1/(-Z)	09:24:40	09:39:40	
2000-05-08	13:00:00	15:00:00	T1C1/(+Y)	13:59:44	10:08:58	55
	15:40:00	16:20:00				
2000-05-09	09:50:00	12:15:00				
2000-05-11	08:03:00	09:03:00	RT1C1/(+Y)	08:29:44	02:14:44	57
	11:24:00	12:22:00				
	15:10:00	15:41:00				
2000-05-12						
2000-05-23	12:45:00	14:50:00	RT3C1/(+Z)	12:49:05	14:49:05	See the note to the table
2000-06-01	11:40:00	12:40:00	T3C1/(+Z)	11:49:16	13:49:16	See the note to the table
2000-06-05	11:09:00	11:50:00	RT3C1/(+Z)	10:57:56	12:57:56	See the note to the table
2000-06-08	10:36:00	11:41:00	RT3C1/(+Z)	10:40:56	11:40:00	See the note to the table
2000-06-11	10:25:00	11:30:00	RT3C1/(+Z)	10:29:18	11:28:22	See the note to the table

Note: Prior to firing, during the operation, and after cutting off the T3 and RT3 thrusters (+Z direction), DRT sensor readings are 0 μ A.

Annex 1. Information from DEP-sensors for 14/03/00

Time (hh:mm)	DEP-1 Calculated Field, (V/m)	DEP-2 Calculated Field, (V/m)	DEP-3 Calculated Field, (V/m)
8:05	-1,90360	0,35587	0,22642
8:11	-1,84010	0,35587	0,22642
8:17	-1,64970	0,35587	0,22642
8:23	-1,39590	0,35587	0,22642
8:29	-1,20560	0,35587	0,22642
8:35	-0,50761	0,28470	0,22642
8:41	-0,19036	0,28470	0,22642
8:47	0,06345	0,28470	0,22642
8:53	0,06345	-0,07117	0,15094
8:59	-0,06345	0,92527	0,15094
9:05	0,12690	-1,21000	0,15094
9:11	0,06345	-1,49470	0,15094
9:17	0,06345	0,64057	0,15094
9:23	0,06345	-0,99644	0,15094
9:29	-0,12690	0,64057	0,15094
9:35	-0,12690	-0,71174	0,15094
9:41	0,19036	0,28470	0,22642
9:47	-0,19036	-1,92170	0,15094
9:53	0,19036	-2,13520	0,15094
9:59	0,12690	3,41640	0,15094
10:05	-0,19036	3,55870	0,15094
10:11	-0,19036	-2,41990	0,15094
10:17	-0,19036	-2,49110	0,15094
10:23	-0,19036	-2,49110	0,15094
10:29	-0,19036	-2,13520	0,15094
10:35	-0,19036	-2,63350	0,15094
10:41	-0,19036	-2,63350	0,15094
10:47	0,19036	-2,63350	0,22642
10:53	0,25381	-2,56230	0,22642
10:59	-0,12690	-2,63350	0,22642
11:05	0,19036	-2,49110	0,30189
11:11	-0,19036	-2,49110	0,30189
11:17	-0,19036	-2,56230	0,22642
11:23	-0,06345	-2,49110	0,30189
11:29	-0,12690	-2,49110	0,30189
11:35	0,12690	-2,49110	0,30189
11:41	-0,12690	-2,41990	0,30189
11:47	0,12690	-2,34880	0,30189
11:53	0,12690	-2,34880	0,37736
11:59	-0,12690	-2,41990	0,37736
12:05	-0,12690	-2,34880	0,37736
12:11	0,19036	-2,34880	0,45283
12:17	-0,19036	-2,27760	0,37736
12:23	0,12690	-1,99290	0,45283
12:29	-0,12690	-2,20640	0,37736
12:35	0,12690	-1,92170	0,37736
12:41	-0,19036	-1,92170	0,37736
12:47	0,12690	-1,92170	0,37736
12:53	-0,12690	-1,92170	0,37736

Time (hh:mm)	DEP-1 Calculated Field, (V/m)	DEP-2 Calculated Field, (V/m)	DEP-3 Calculated Field, (V/m)
12:59	-0,12690	-1,92170	0,37736
13:05	-0,12690	-1,85050	0,37736
13:11	-0,19036	-1,85050	0,30189
13:17	-0,12690	-1,92170	0,30189
13:23	-0,19036	-1,92170	0,22642
13:29	0,19036	-1,85050	0,22642
13:35	0,12690	-1,92170	0,07547
13:41	-0,12690	-1,85050	0,00000
13:47	0,12690	-1,85050	-0,07547
13:53	-0,12690	-1,85050	-0,07547
13:59	0,12690	-1,85050	-0,15094
14:05	-0,12690	-1,77940	-0,15094
14:11	-0,12690	-1,63700	-0,15094
14:17	-0,12690	-1,49470	-0,22642
14:23	0,06345	-1,35230	-0,30189
14:29	0,06345	-1,28110	-0,37736
14:35	0,06345	-1,13880	-0,37736
14:41	-0,12690	-1,06760	-0,37736
14:47	-0,12690	-0,85409	-0,45283
14:53	0,06345	-0,78292	-0,37736
14:59	-0,12690	-0,71174	-0,37736
15:05	0,06345	-0,64057	-0,37736
15:11	-0,12690	-0,56940	-0,37736
15:17	-0,06345	-0,56940	-0,37736
15:23	-0,06345	-0,42705	-0,30189
15:29	-0,06345	-0,42705	-0,30189
15:35	-0,12690	-0,35587	-0,30189
15:41	0,06345	-0,42705	-0,22642
15:47	0,12690	-0,42705	-0,22642
15:53	0,12690	-0,42705	-0,15094
15:59	0,06345	-0,49822	-0,15094
16:05	0,06345	-0,42705	-0,07547
16:11	-0,06345	-0,49822	-0,07547
16:17	-0,12690	-0,49822	-0,07547
16:23	0,12690	-0,56940	-0,07547
16:29	-0,06345	-0,56940	-0,07547
16:35	0,12690	-0,56940	-0,07547
16:41	-0,12690	-0,64057	-0,07547
16:47	-0,06345	-0,64057	-0,07547
16:53	0,12690	-0,64057	0,00000
16:59	0,06345	-0,64057	0,00000
17:05	0,06345	-0,71174	0,00000
17:11	0,12690	-0,71174	0,00000
17:17	-0,06345	-0,99644	0,00000
17:23	-0,12690	-0,78292	0,07547
17:29	0,12690	-0,85409	0,07547
17:35	-0,12690	-0,78292	0,07547
17:41	0,12690	-0,85409	0,07547
17:47	-0,12690	-0,85409	0,07547

Time (hh:mm)	DEP-1 Calculated Field, (V/m)	DEP-2 Calculated Field, (V/m)	DEP-3 Calculated Field, (V/m)
17:53	-0,12690	1,06760	0,07547
17:59	-0,12690	-0,92527	0,00000
18:05	-0,06345	-0,92527	0,00000
18:11	0,12690	-1,06760	-0,07547
18:17	-0,12690	-1,13880	-0,07547
18:23	0,12690	-1,21000	-0,15094
18:29	0,12690	-1,21000	-0,22642
18:35	0,12690	-1,28110	-0,30189
18:41	-0,12690	-1,35230	-0,37736
18:47	-0,12690	-1,35230	-0,37736
18:53	-0,12690	-1,49470	-0,37736
18:59	0,19036	-1,49470	-0,52830
19:05	-0,19036	-1,63700	-0,67925
19:11	-0,12690	-1,56580	-1,13210
19:17	0,12690	-1,77940	-1,73580
19:23	-0,12690	-1,85050	-1,66040
19:29	0,12690	-1,85050	-1,58490
19:35	-0,12690	-1,77940	-1,35850
19:41	-0,12690	-1,70820	-1,28300
19:47	-0,12690	-1,63700	-1,20750
19:53	-0,12690	-1,56580	-1,20750
19:59	0,12690	-1,56580	-1,20750
20:05	-0,12690	-1,56580	-1,20750
20:11	0,12690	-1,21000	-1,13210
20:17	0,12690	-0,28470	-1,20750
20:23	-0,19036	-0,71174	-0,67925
20:29	-0,19036	0,21352	-0,75472
20:35	0,25381	-0,92527	-0,83019
20:41	-0,25381	-0,85409	-0,83019
20:47	-0,19036	-0,42705	-0,90566
20:53	-0,25381	0,35587	-0,90566
20:59	0,25381	-1,13880	-1,13210

Time (hh:mm)	DEP-1 Calculated Field, (V/m)	DEP-2 Calculated Field, (V/m)	DEP-3 Calculated Field, (V/m)
21:05	0,25381	1,21000	-1,13210
21:11	0,25381	-0,35587	-1,20750
21:17	0,19036	-0,42705	-1,28300
21:23	0,25381	-0,35587	-1,35850
21:29	-0,31726	0,49822	-1,43400
21:35	-0,25381	-0,14235	-1,35850
21:41	0,19036	-0,14235	-1,20750
21:47	0,31726	0,07117	-1,13210
21:53	-0,95178	-0,07117	-1,13210
21:59	1,01520	-0,07117	-1,13210
22:05	-1,01520	-0,07117	-0,98113
22:11	-1,01520	-0,07117	-0,98113
22:17	-1,01520	-0,07117	0,00000
22:23	-1,01520	-0,07117	-0,98113
22:29	-1,07870	0,07117	-0,98113
22:35	-1,07870	-0,07117	-0,98113
22:41	-1,07870	-0,07117	-0,98113
22:47	-1,07870	-0,07117	-0,98113
22:53	-1,07870	-0,07117	-0,98113
22:59	-1,07870	0,07117	-0,98113
23:05	-1,01520	-0,14235	-0,98113
23:11	-1,07870	-0,07117	-0,98113
23:17	-1,07870	-0,07117	-0,98113
23:23	-1,14210	-0,14235	-1,05660
23:29	-1,33250	-0,14235	-1,50940
23:35	-1,84010	1,35230	-1,73580
23:41	-2,09390	1,56580	-1,43400
23:47	-1,90360	-1,28110	-1,43400
23:53	-1,64970	1,13880	-1,35850
23:59	-1,58630	-1,13880	-1,35850

Annex 2. Information from DEP-sensors for 15/03/00

Time (hh:mm)	DEP-1 Calculated Field, (V/m)	DEP-2 Calculated Field, (V/m)	DEP-3 Calculated Field, (V/m)
0:05	-1,45940	1,42350	-1,35850
0:11	-1,45940	-1,77940	-1,35850
0:17	-1,39590	-1,35230	-1,20750
0:23	-1,33250	1,35230	-1,13210
0:29	-1,26900	-1,49470	-1,13210
0:35	-1,26900	1,35230	-1,05660
0:41	-1,20560	-1,28110	-0,98113
0:47	-1,20560	1,13880	-0,98113
0:53	-1,07870	-1,21000	-0,98113
0:59	-1,01520	-1,21000	-0,98113
1:05	-1,07870	1,21000	-1,05660
1:11	-1,07870	-1,13880	-0,90566
1:17	-1,07870	-1,21000	-0,98113
1:23	-1,07870	1,06760	-0,83019
1:29	-1,07870	1,13880	-0,60377
1:35	-0,12690	0,92527	-0,60377
1:41	-1,07870	-0,99644	-0,52830
1:47	-1,07870	0,92527	-0,52830
1:53	-0,95178	-0,92527	-0,67925
1:59	-0,88832	-0,78292	-0,83019
2:05	-0,82487	-0,78292	-0,90566
2:11	-0,76142	0,85409	-0,90566
2:17	-0,69797	-0,92527	-0,75472
2:23	-0,82487	-0,92527	-0,75472
2:29	-0,69797	1,28110	-0,83019
2:35	-0,95178	-1,21000	-0,22642
2:41	-1,20560	1,28110	0,45283
2:47	-1,20560	1,35230	0,60377
2:53	-1,26900	1,06760	0,52830
2:59	-1,26900	-0,99644	0,45283
3:05	-1,33250	-0,92527	0,60377
3:11	-1,39590	0,92527	0,90566
3:17	-1,45940	-0,78292	0,07547
3:23	-1,45940	-0,71174	0,90566
3:29	-1,52280	-0,78292	0,37736
3:35	-1,52280	-0,71174	0,15094
3:41	-1,52280	-0,64057	0,07547
3:47	-1,58630	-0,71174	0,00000
3:53	-1,45940	-0,49822	0,00000
3:59	-1,58630	-0,64057	0,00000
4:05	-1,58630	-0,21352	0,07547
4:11	-1,64970	-0,14235	0,07547
4:17	-1,64970	0,00000	0,15094
4:23	-1,71320	-0,07117	0,15094
4:29	-1,71320	-0,14235	0,22642
4:35	-1,64970	-0,14235	0,22642
4:41	-1,58630	-0,07117	0,22642
4:47	-1,71320	0,14235	0,22642
4:53	-1,71320	-0,07117	0,30189
4:59	-1,71320	0,07117	0,30189

Time (hh:mm)	DEP-1 Calculated Field, (V/m)	DEP-2 Calculated Field, (V/m)	DEP-3 Calculated Field, (V/m)
5:05	-1,77660	-0,78292	0,30189
5:11	0,00000	-0,28470	0,22642
5:17	-1,64970	-0,14235	0,22642
5:23	-1,77660	-0,28470	0,22642
5:29	-1,71320	0,14235	0,30189
5:35	-1,84010	0,14235	0,30189
5:41	-1,71320	0,21352	0,30189
5:47	-1,84010	-0,28470	0,30189
5:53	-1,71320	0,14235	0,22642
5:59	-1,84010	0,28470	0,30189
6:05	-1,90360	0,21352	0,22642
6:11	-1,96700	0,28470	0,22642
6:17	-1,90360	0,56940	0,22642
6:23	-1,96700	-0,21352	0,22642
6:29	-1,96700	-0,35587	0,22642
6:35	-2,03050	-0,35587	0,22642
6:41	-2,03050	0,21352	0,22642
6:47	-2,15740	-0,42705	0,22642
6:53	-2,03050	-0,35587	0,22642
6:59	-2,15740	-0,14235	0,22642
7:05	-2,03050	0,21352	0,15094
7:11	-2,15740	0,35587	0,15094
7:17	-2,09390	-0,14235	0,15094
7:23	-2,22080	-0,42705	0,15094
7:29	-1,84010	-0,21352	0,15094
7:35	-2,09390	-0,14235	0,15094
7:41	-2,15740	0,35587	0,22642
7:47	-1,96700	0,14235	0,15094
7:53	-2,03050	-0,28470	0,15094
7:59	-1,90360	0,07117	0,15094
8:05	-1,84010	0,21352	0,15094
8:11	-1,64970	0,21352	0,15094
8:17	-1,52280	0,07117	0,15094
8:23	-1,26900	0,07117	0,15094
8:29	-0,69797	0,14235	0,15094
8:35	-0,57107	-0,28470	0,15094
8:41	-0,38071	-0,14235	0,15094
8:47	-0,31726	0,07117	0,15094
8:53	0,25381	0,14235	0,15094
8:59	0,25381	-0,21352	0,15094
9:05	0,19036	0,35587	0,15094
9:11	0,12690	-0,35587	0,15094
9:17	0,06345	-0,49822	0,15094
9:23	-0,12690	0,35587	0,15094
9:29	0,12690	1,06760	0,15094
9:35	0,19036	-2,06410	0,15094
9:41	0,12690	2,06410	0,15094
9:47	0,12690	-2,20640	0,15094
9:53	-0,19036	3,55870	0,15094
9:59	0,12690	-2,41990	0,22642

Time (hh:mm)	DEP-1 Calculated Field, (V/m)	DEP-2 Calculated Field, (V/m)	DEP-3 Calculated Field, (V/m)
10:05	-0,12690	-2,56230	0,15094
10:11	-0,12690	-2,56230	0,22642
10:17	0,19036	-2,63350	0,22642
10:23	0,19036	-2,77580	0,22642
10:29	0,19036	-2,84700	0,22642
10:35	0,19036	-2,84700	0,22642
10:41	0,12690	-2,91810	0,22642
10:47	-0,19036	-2,84700	0,30189
10:53	-0,19036	-2,84700	0,30189
10:59	-0,19036	-2,63350	0,30189
11:05	0,19036	-2,63350	0,30189
11:11	0,19036	-2,77580	0,30189
11:17	0,19036	-2,77580	0,30189
11:23	-0,19036	-2,70460	0,30189
11:29	0,19036	-2,63350	0,30189
11:35	-0,25381	-2,56230	0,30189
11:41	0,25381	-2,41990	0,30189
11:47	0,25381	-2,49110	0,30189
11:53	-0,19036	-2,41990	0,30189
11:59	0,19036	-2,41990	0,30189
12:05	0,19036	-2,34880	0,30189
12:11	-0,19036	-2,27760	0,30189
12:17	0,19036	-2,27760	0,30189
12:23	0,25381	-1,92170	0,22642
12:29	-0,12690	-2,20640	0,22642
12:35	-0,19036	-2,13520	0,22642
12:41	-0,19036	-1,92170	0,15094
12:47	0,19036	-1,92170	0,15094
12:53	0,19036	-1,85050	0,15094
12:59	0,19036	-1,85050	0,07547
13:05	0,19036	-1,85050	0,07547
13:11	0,19036	-1,85050	0,07547
13:17	-0,12690	-1,85050	0,00000
13:23	0,12690	-1,85050	0,00000
13:29	0,19036	-1,85050	0,00000
13:35	-0,19036	-1,85050	-0,07547
13:41	-0,19036	-1,85050	-0,15094
13:47	-0,19036	-1,85050	-0,15094
13:53	-0,12690	-1,77940	-0,22642
13:59	-0,12690	-1,77940	-0,30189
14:05	-0,25381	-1,63700	-0,30189
14:11	0,19036	-1,42350	-0,37736
14:17	-0,12690	-1,35230	-0,37736
14:23	-0,25381	-1,21000	-0,37736
14:29	0,12690	-1,13880	-0,45283
14:35	0,19036	-0,92527	-0,45283
14:41	0,12690	-0,85409	-0,52830
14:47	-0,12690	-0,78292	-0,52830
14:53	0,19036	-0,71174	-0,52830
14:59	0,25381	-0,64057	-0,52830
15:05	-0,19036	-0,56940	-0,52830
15:11	-0,25381	-0,49822	-0,45283
15:17	0,12690	-0,42705	-0,45283

Time (hh:mm)	DEP-1 Calculated Field, (V/m)	DEP-2 Calculated Field, (V/m)	DEP-3 Calculated Field, (V/m)
15:23	0,19036	-0,42705	-0,37736
15:29	0,19036	-0,35587	-0,37736
15:35	0,19036	-0,35587	-0,30189
15:41	0,25381	-0,35587	-0,30189
15:47	0,12690	-0,35587	-0,22642
15:53	0,12690	-0,35587	-0,22642
15:59	-0,19036	-0,35587	-0,15094
16:05	0,19036	-0,42705	-0,15094
16:11	0,19036	-0,42705	-0,15094
16:17	-0,19036	-0,49822	-0,07547
16:23	-0,19036	-0,49822	-0,07547
16:29	-0,19036	-0,56940	-0,07547
16:35	-0,12690	-0,64057	-0,07547
16:41	-0,19036	-0,64057	-0,07547
16:47	0,19036	-0,64057	-0,07547
16:53	0,19036	-0,71174	-0,07547
16:59	-0,12690	-0,71174	-0,07547
17:05	0,19036	-0,71174	-0,07547
17:11	0,19036	-0,99644	-0,07547
17:17	-0,12690	-0,78292	-0,07547
17:23	0,19036	-0,78292	-0,07547
17:29	-0,19036	-0,85409	-0,07547
17:35	0,19036	-0,85409	-0,07547
17:41	0,25381	-0,85409	-0,15094
17:47	-0,19036	-0,92527	-0,15094
17:53	-0,19036	0,00000	-0,15094
17:59	0,19036	-1,06760	-0,15094
18:05	0,19036	-1,13880	-0,15094
18:11	0,19036	-1,13880	-0,22642
18:17	-0,25381	-1,21000	-0,22642
18:23	0,19036	-1,28110	-0,22642
18:29	-0,12690	-1,28110	-0,22642
18:35	0,25381	-1,85050	-0,30189
18:41	0,19036	-1,35230	-0,30189
18:47	-0,19036	-1,42350	-0,30189
18:53	0,19036	-1,85050	-0,30189
18:59	-0,12690	-1,56580	-0,30189
19:05	0,19036	-1,56580	-0,52830
19:11	-0,25381	-1,49470	-1,13210
19:17	0,19036	-1,49470	-1,13210
19:23	0,19036	-1,56580	-1,13210
19:29	0,25381	-1,56580	-1,13210
19:35	0,19036	-1,49470	-1,20750
19:41	-0,19036	-1,56580	-1,20750
19:47	0,19036	-1,56580	-1,13210
19:53	-0,25381	-1,56580	-1,13210
19:59	0,19036	-1,49470	-1,13210
20:05	-0,25381	-1,42350	-1,13210
20:11	0,19036	0,35587	-1,13210
20:17	-0,19036	-0,21352	-0,83019
20:23	-0,19036	-0,49822	-0,60377
20:29	0,25381	0,85409	-0,60377
20:35	0,25381	-0,71174	-0,60377

Time (hh:mm)	DEP-1 Calculated Field, (V/m)	DEP-2 Calculated Field, (V/m)	DEP-3 Calculated Field, (V/m)
20:41	-0,31726	-0,78292	-0,67925
20:47	-0,31726	-0,42705	-0,90566
20:53	0,25381	0,49822	-1,13210
20:59	0,31726	-2,13520	-1,81130
21:05	-0,31726	-0,42705	-1,81130
21:11	0,31726	-0,42705	-1,88680
21:17	0,31726	0,64057	-1,81130
21:23	0,31726	-0,85409	-1,88680
21:29	-0,25381	-0,42705	-1,50940
21:35	0,19036	0,21352	-1,35850
21:41	-0,25381	-0,21352	-1,35850
21:47	1,14210	-0,07117	-1,58490
21:53	-1,45940	-0,35587	-1,73580
21:59	-1,58630	-0,28470	-1,73580
22:05	-1,64970	0,64057	-1,73580
22:11	-1,52280	-0,35587	-1,50940
22:17	-1,64970	-0,49822	-1,50940

Time (hh:mm)	DEP-1 Calculated Field, (V/m)	DEP-2 Calculated Field, (V/m)	DEP-3 Calculated Field, (V/m)
22:23	-1,58630	-0,42705	-1,35850
22:29	-1,52280	-0,28470	-1,20750
22:35	-1,52280	-0,21352	-1,13210
22:41	-1,45940	0,21352	-0,98113
22:47	-1,39590	-0,14235	-0,98113
22:53	-1,26900	-0,14235	-0,90566
22:59	-1,20560	-0,14235	-0,90566
23:05	-1,14210	-0,14235	-0,83019
23:11	-1,07870	-0,14235	-0,83019
23:17	-1,01520	-0,14235	-0,83019
23:23	-1,01520	-0,14235	-0,75472
23:29	-0,95178	-0,14235	-0,75472
23:35	-0,95178	-0,14235	-0,75472
23:41	-0,88832	-0,14235	-0,67925
23:47	-0,82487	-0,14235	-0,67925
23:53	-0,82487	0,14235	-0,67925
23:59	-0,82487	0,14235	-0,67925

Annex 3. Information from DEP-sensors for 16/03/00

Time (hh:mm)	DEP-1 Calculated Field, (V/m)	DEP-2 Calculated Field, (V/m)	DEP-3 Calculated Field, (V/m)
0:05	-0,76142	0,14235	-0,67925
0:11	-0,69797	-0,14235	-0,60377
0:17	-0,69797	-0,14235	-0,67925
0:23	-0,63452	-0,07117	-0,67925
0:29	-0,63452	-0,14235	-0,67925
0:35	-0,63452	0,14235	-0,98113
0:41	-0,57107	0,14235	-0,75472
0:47	-0,50761	0,14235	-0,75472
0:53	-0,50761	-0,14235	-0,98113
0:59	-0,50761	0,14235	-0,98113
1:05	-0,50761	-0,14235	-0,75472
1:11	-0,50761	0,14235	-0,98113
1:17	-0,50761	-0,14235	-0,75472
1:23	-0,76142	-0,14235	-0,90566
1:29	-0,50761	-0,07117	-0,60377
1:35	-0,50761	-0,14235	-0,60377
1:41	-0,76142	-0,14235	-0,60377
1:47	-0,06345	0,14235	-0,60377
1:53	-0,76142	0,14235	-0,52830
1:59	-0,76142	0,14235	-0,52830
2:05	-0,50761	0,14235	-0,60377
2:11	-0,50761	0,14235	-0,52830
2:17	-0,06345	0,14235	-0,52830
2:23	-0,50761	0,14235	-0,60377
2:29	-0,50761	-0,14235	-0,52830
2:35	-0,76142	-0,14235	-0,60377
2:41	-0,50761	-0,28470	-0,60377
2:47	-0,76142	-0,28470	-0,52830
2:53	-0,50761	0,14235	-0,52830
2:59	-0,63452	-0,28470	-0,45283
3:05	-0,76142	-0,28470	0,07547
3:11	-0,88832	0,14235	0,22642
3:17	-1,01520	0,28470	0,30189
3:23	-1,14210	0,21352	0,30189
3:29	-1,20560	0,21352	0,37736
3:35	-1,26900	0,35587	0,45283
3:41	-1,39590	-0,35587	0,45283
3:47	-1,39590	-0,35587	0,52830
3:53	-1,52280	0,28470	0,52830
3:59	-1,52280	-0,49822	0,00000
4:05	-1,52280	-0,21352	0,52830
4:11	-1,39590	0,42705	0,60377
4:17	-1,64970	-0,42705	0,60377
4:23	-1,58630	-0,49822	0,00000
4:29	-1,58630	-0,35587	0,60377
4:35	-1,58630	-0,49822	0,07547
4:41	-1,77660	0,42705	0,07547
4:47	-1,71320	0,49822	1,13210
4:53	-1,71320	-0,49822	0,07547
4:59	-1,71320	-0,49822	0,52830
5:05	-1,58630	0,49822	0,07547

Time (hh:mm)	DEP-1 Calculated Field, (V/m)	DEP-2 Calculated Field, (V/m)	DEP-3 Calculated Field, (V/m)
5:11	-1,77660	0,49822	0,52830
5:17	-1,84010	0,49822	0,52830
5:23	-1,77660	-0,49822	0,52830
5:29	-1,71320	-0,35587	-0,07547
5:35	-1,96700	0,49822	0,52830
5:41	-1,84010	-0,42705	0,52830
5:47	-1,84010	-0,49822	0,52830
5:53	-1,84010	-0,49822	0,52830
5:59	-2,03050	0,49822	0,52830
6:05	-1,90360	0,42705	0,52830
6:11	-1,90360	-0,42705	0,52830
6:17	-1,90360	-0,42705	0,52830
6:23	-2,03050	0,21352	0,45283
6:29	-1,90360	0,14235	0,52830
6:35	-1,90360	0,14235	0,45283
6:41	-2,03050	-0,21352	0,45283
6:47	-1,90360	-0,14235	0,45283
6:53	-1,90360	-0,28470	0,45283
6:59	-1,90360	-0,21352	0,45283
7:05	-1,90360	0,21352	0,37736
7:11	-1,96700	-0,21352	0,37736
7:17	-1,90360	-0,21352	0,37736
7:23	-1,90360	-0,21352	0,37736
7:29	-1,84010	-0,21352	0,37736
7:35	-1,71320	-0,28470	0,45283
7:41	-1,90360	-0,21352	0,37736
7:47	-1,84010	0,21352	0,37736
7:53	-1,84010	-0,21352	0,37736
7:59	-1,71320	-0,21352	0,30189
8:05	-1,71320	-0,21352	0,30189
8:11	-1,58630	-0,21352	0,30189
8:17	-1,26900	-0,21352	0,22642
8:23	-1,26900	-0,14235	0,22642
8:29	-0,63452	-0,14235	0,22642
8:35	-0,63452	-0,14235	0,22642
8:41	0,69797	-0,14235	0,22642
8:47	0,44416	-0,14235	0,22642
8:53	-0,38071	0,21352	0,22642
8:59	0,50761	-0,49822	0,22642
9:05	-0,38071	0,35587	0,22642
9:11	0,31726	0,35587	0,22642
9:17	-0,31726	-0,28470	0,22642
9:23	-0,19036	-0,56940	0,22642
9:29	0,25381	-0,35587	0,22642
9:35	0,25381	0,71174	0,22642
9:41	-0,31726	1,56580	0,22642
9:47	0,31726	-1,77940	0,22642
9:53	-0,31726	1,85050	0,22642
9:59	0,25381	-1,99290	0,22642
10:05	0,38071	-2,13520	0,22642
10:11	-0,25381	-2,20640	0,22642

Time (hh:mm)	DEP-1 Calculated Field, (V/m)	DEP-2 Calculated Field, (V/m)	DEP-3 Calculated Field, (V/m)
10:17	-0,31726	-2,34880	0,22642
10:23	0,31726	-2,41990	0,22642
10:29	-0,31726	-2,49110	0,22642
10:35	0,31726	-2,49110	0,22642
10:41	0,38071	-2,49110	0,22642
10:47	0,25381	-2,49110	0,22642
10:53	0,31726	-2,41990	0,22642
10:59	0,31726	-2,49110	0,22642
11:05	-0,31726	-2,56230	0,30189
11:11	-0,25381	-2,49110	0,30189
11:17	-0,25381	-2,49110	0,30189
11:23	0,31726	-2,49110	0,30189
11:29	-0,31726	-2,41990	0,30189
11:35	0,25381	-2,41990	0,30189
11:41	0,25381	-2,41990	0,30189
11:47	-0,31726	-2,41990	0,22642
11:53	0,25381	-2,34880	0,22642
11:59	-0,31726	-2,34880	0,22642
12:05	0,25381	-2,34880	0,22642
12:11	-0,25381	-2,27760	0,22642
12:17	-0,31726	-2,20640	0,22642
12:23	0,31726	-2,13520	0,15094
12:29	0,19036	-1,92170	0,15094
12:35	0,25381	-1,92170	0,15094
12:41	-0,25381	-1,92170	0,15094
12:47	-0,19036	-1,92170	0,15094
12:53	-0,25381	-1,85050	0,07547
12:59	0,25381	-1,85050	0,07547
13:05	0,19036	-1,85050	0,00000
13:11	0,19036	-1,85050	0,00000
13:17	-0,25381	-1,85050	0,00000
13:23	0,25381	-1,85050	-0,07547
13:29	0,25381	-1,85050	-0,07547
13:35	-0,19036	-1,85050	-0,15094
13:41	0,31726	-1,85050	-0,15094
13:47	-0,25381	-1,77940	-0,22642
13:53	0,19036	-1,77940	-0,22642
13:59	0,25381	-1,70820	-0,30189
14:05	0,19036	-1,56580	-0,30189
14:11	0,57107	-1,70820	-2,56600
14:17	-0,63452	-1,63700	-2,79250
14:23	-0,63452	-1,49470	-2,94340
14:29	0,38071	-1,35230	-2,71700
14:35	0,19036	-0,35587	-1,73580
14:41	0,12690	-0,42705	-1,50940
14:47	-0,12690	0,78292	-1,50940
14:53	0,19036	0,99644	-1,43400
14:59	-0,19036	0,85409	-1,28300
15:05	0,44416	0,71174	-0,90566
15:11	0,38071	0,56940	-0,83019
15:17	0,57107	0,42705	-0,45283
15:23	0,50761	0,42705	-0,37736
15:29	-0,50761	0,35587	-0,15094

Time (hh:mm)	DEP-1 Calculated Field, (V/m)	DEP-2 Calculated Field, (V/m)	DEP-3 Calculated Field, (V/m)
15:35	-0,50761	-0,28470	-0,15094
15:41	0,50761	0,21352	-0,07547
15:47	0,50761	0,21352	-0,07547
15:53	-0,50761	0,14235	-0,07547
15:59	-0,06345	-0,21352	-1,66040
16:05	0,12690	-0,28470	-1,73580
16:11	0,19036	-0,28470	-1,81130
16:17	0,19036	-0,28470	-1,81130
16:23	0,12690	0,28470	-1,35850
16:29	0,19036	-0,64057	-1,13210
16:35	-0,31726	-8,04270	-1,05660
16:41	-0,31726	-0,56940	-0,90566
16:47	0,31726	-0,78292	-0,90566
16:53	0,38071	-0,78292	-0,90566
16:59	-0,31726	-0,85409	-1,20750
17:05	-0,44416	-0,85409	-0,83019
17:11	0,50761	-0,85409	-0,30189
17:17	0,63452	-1,70820	-0,15094
17:23	-0,69797	-2,06410	-0,37736
17:29	-0,44416	-0,71174	-0,15094
17:35	-0,50761	-0,78292	-0,07547
17:41	-0,50761	0,85409	-0,07547
17:47	-0,57107	-0,85409	-0,07547
17:53	0,57107	0,85409	-0,07547
17:59	0,69797	0,85409	-0,07547
18:05	0,63452	0,92527	-0,07547
18:11	-0,69797	0,92527	-0,07547
18:17	0,63452	-1,06760	-0,07547
18:23	-0,63452	1,13880	-0,07547
18:29	0,69797	-1,13880	-0,15094
18:35	-0,76142	1,21000	-0,15094
18:41	-0,76142	-1,21000	-0,22642
18:47	0,63452	-1,06760	-0,22642
18:53	-0,63452	-1,06760	-0,22642
18:59	-0,69797	-1,35230	-0,30189
19:05	0,63452	-1,35230	-1,20750
19:11	-0,63452	-1,42350	-1,13210
19:17	-0,69797	-1,13880	-1,13210
19:23	-0,63452	-1,35230	-1,13210
19:29	0,63452	-1,35230	-1,13210
19:35	-0,69797	1,35230	-1,13210
19:41	0,69797	-1,28110	-1,13210
19:47	-0,63452	-0,92527	-1,05660
19:53	0,69797	1,21000	-1,05660
19:59	-0,63452	1,13880	-1,05660
20:05	0,63452	0,78292	-1,05660
20:11	0,57107	0,49822	-0,98113
20:17	-0,76142	-0,14235	-0,60377
20:23	0,82487	-0,21352	-0,60377
20:29	0,57107	-0,35587	-0,67925
20:35	-0,57107	-0,35587	-0,67925
20:41	0,63452	0,07117	-0,75472
20:47	0,63452	0,21352	-0,75472

Time (hh:mm)	DEP-1 Calculated Field, (V/m)	DEP-2 Calculated Field, (V/m)	DEP-3 Calculated Field, (V/m)
20:53	0,57107	-0,56940	-0,83019
20:59	0,50761	-0,07117	-0,90566
21:05	-0,57107	0,07117	-0,90566
21:11	-0,57107	-0,14235	-0,90566
21:17	-0,50761	0,21352	-0,90566
21:23	-0,44416	0,28470	-1,20750
21:29	0,44416	-0,07117	-1,05660
21:35	-0,50761	0,07117	-0,98113
21:41	-0,44416	0,07117	-0,98113
21:47	0,88832	-0,07117	-0,98113
21:53	0,95178	-0,07117	-0,98113
21:59	1,01520	-0,07117	-0,90566
22:05	-1,01520	-0,07117	-0,90566
22:11	-1,07870	-0,07117	-0,90566
22:17	-1,01520	-0,07117	-0,90566
22:23	1,01520	-0,07117	-0,83019

Time (hh:mm)	DEP-1 Calculated Field, (V/m)	DEP-2 Calculated Field, (V/m)	DEP-3 Calculated Field, (V/m)
22:29	1,01520	-0,07117	-0,83019
22:35	-0,95178	-0,07117	-0,83019
22:41	0,88832	-0,14235	-0,75472
22:47	-0,82487	-0,14235	-0,67925
22:53	0,76142	-0,14235	-0,67925
22:59	-0,69797	-0,14235	-0,67925
23:05	-0,69797	-0,21352	-0,67925
23:11	-0,63452	-0,14235	-0,67925
23:17	0,57107	-0,21352	-0,67925
23:23	-0,57107	-0,21352	-0,60377
23:29	-0,50761	-0,21352	-0,60377
23:35	0,50761	-0,21352	-0,60377
23:41	0,44416	-0,28470	-0,60377
23:47	-0,44416	0,35587	-0,60377
23:53	-0,38071	-0,28470	-0,60377
23:59	0,38071	-0,35587	-0,60377

Annex 4. Information from DEP-sensors for 17/03/00

Time (hh:mm)	DEP-1 Calculated Field, (V/m)	DEP-2 Calculated Field, (V/m)	DEP-3 Calculated Field, (V/m)
0:05	0,38071	0,28470	-0,60377
0:11	-0,31726	-0,28470	-0,60377
0:17	-0,31726	-0,35587	-0,67925
0:23	0,25381	-0,35587	-0,67925
0:29	-0,25381	-0,42705	-0,67925
0:35	-0,25381	-0,42705	-0,75472
0:41	-0,25381	-0,42705	-0,75472
0:47	0,31726	0,42705	-0,75472
0:53	-0,31726	-0,49822	-0,75472
0:59	-0,31726	0,49822	-0,75472
1:05	-0,38071	-0,49822	-0,75472
1:11	-0,38071	0,49822	-0,75472
1:17	-0,44416	0,42705	-0,67925
1:23	0,44416	-0,42705	-0,60377
1:29	-0,44416	-0,49822	-0,60377
1:35	-0,50761	-0,49822	-0,60377
1:41	-0,50761	0,42705	-0,52830
1:47	-0,50761	-0,49822	-0,52830
1:53	-0,57107	-0,49822	-0,52830
1:59	-0,57107	-0,49822	-0,52830
2:05	-0,50761	0,49822	-0,52830
2:11	-0,50761	0,49822	-0,52830
2:17	-0,50761	0,56940	-0,52830
2:23	-0,50761	-0,49822	-0,52830
2:29	-0,44416	-0,49822	-0,52830
2:35	-0,44416	-0,49822	-0,52830
2:41	-0,44416	-0,49822	-0,60377
2:47	-0,44416	-0,49822	-0,52830
2:53	-0,44416	0,56940	-0,45283
2:59	-0,57107	-0,49822	0,15094
3:05	-1,33250	-4,48400	-1,20750
3:11	-1,33250	-5,26690	-1,13210
3:17	-1,58630	-4,76870	-1,43400
3:23	-1,96700	-4,98220	-1,73580
3:29	-2,22080	-3,84340	-2,41510
3:35	-2,41120	3,91460	-2,79250
3:41	-2,47460	-4,62630	-2,94340
3:47	-2,60150	-3,27400	-3,16980
3:53	-2,60150	-2,84700	-3,32080
3:59	-2,66500	2,34880	-3,47170
4:05	-1,90360	-0,21352	-1,28300
4:11	-1,84010	0,49822	-0,75472
4:17	-1,84010	0,56940	-0,37736
4:23	-1,77660	0,56940	-0,22642
4:29	-1,84010	-0,64057	-0,07547
4:35	-1,77660	0,64057	0,07547
4:41	-1,71320	-0,71174	0,15094
4:47	-1,77660	0,78292	0,22642
4:53	-1,77660	1,06760	0,22642
4:59	-1,84010	-1,28110	0,22642
5:05	-1,77660	-1,70820	0,30189

Time (hh:mm)	DEP-1 Calculated Field, (V/m)	DEP-2 Calculated Field, (V/m)	DEP-3 Calculated Field, (V/m)
5:11	-1,84010	2,06410	0,30189
5:17	-1,84010	2,34880	0,37736
5:23	-1,90360	1,42350	0,37736
5:29	-1,77660	1,56580	0,37736
5:35	-1,77660	1,49470	0,37736
5:41	-1,77660	-1,70820	0,37736
5:47	-1,84010	-1,42350	0,37736
5:53	-1,84010	-1,63700	0,37736
5:59	-1,84010	-1,13880	0,37736
6:05	-1,84010	-1,28110	0,45283
6:11	-1,90360	-1,35230	0,45283
6:17	-1,90360	-1,56580	0,45283
6:23	-1,96700	1,35230	0,45283
6:29	-1,90360	-1,49470	0,37736
6:35	-1,96700	1,70820	0,37736
6:41	-2,03050	1,28110	0,37736
6:47	-1,96700	-1,21000	0,37736
6:53	-2,03050	1,21000	0,37736
6:59	-2,03050	-1,21000	0,37736
7:05	-1,96700	1,06760	0,37736
7:11	-2,03050	-1,28110	0,30189
7:17	-2,03050	1,13880	0,30189
7:23	-2,03050	-1,21000	0,30189
7:29	-2,03050	1,35230	0,30189
7:35	-1,96700	1,49470	0,30189
7:41	-2,03050	1,28110	0,30189
7:47	-1,96700	1,13880	0,30189
7:53	-1,96700	1,28110	0,30189
7:59	-1,90360	1,21000	0,30189
8:05	-1,71320	1,06760	0,30189
8:11	-1,39590	-1,06760	0,30189
8:17	-1,26900	1,21000	0,30189
8:23	-0,76142	-1,06760	0,30189
8:29	0,69797	-1,06760	0,30189
8:35	0,50761	0,85409	0,22642
8:41	-0,38071	-1,06760	0,30189
8:47	0,31726	0,99644	0,30189
8:53	-0,25381	-0,85409	0,22642
8:59	0,25381	0,78292	0,30189
9:05	0,12690	-0,71174	0,30189
9:11	0,25381	-0,85409	0,30189
9:17	0,25381	0,71174	0,30189
9:23	-0,19036	0,35587	0,30189
9:29	-0,19036	0,92527	0,30189
9:35	0,25381	1,28110	0,30189
9:41	0,31726	-1,21000	0,37736
9:47	-0,25381	1,35230	0,37736
9:53	-0,31726	1,42350	0,37736
9:59	-0,25381	1,49470	0,37736
10:05	0,38071	1,63700	0,37736
10:11	-0,25381	-1,77940	0,37736

Time (hh:mm)	DEP-1 Calculated Field, (V/m)	DEP-2 Calculated Field, (V/m)	DEP-3 Calculated Field, (V/m)
10:17	0,19036	-1,77940	0,45283
10:23	-0,19036	-1,77940	0,45283
10:29	0,31726	-1,85050	0,45283
10:35	0,31726	-1,85050	0,45283
10:41	0,38071	-1,85050	0,45283
10:47	0,25381	-1,85050	0,45283
10:53	-0,25381	-1,85050	0,45283
10:59	0,31726	-1,85050	0,45283
11:05	0,25381	-1,85050	0,37736
11:11	0,19036	-1,92170	0,45283
11:17	-0,25381	-2,13520	0,45283
11:23	0,19036	-1,85050	0,45283
11:29	-0,25381	-1,85050	0,45283
11:35	0,25381	-1,85050	0,45283
11:41	-0,25381	-1,85050	0,45283
11:47	0,31726	-2,13520	0,45283
11:53	-0,19036	-1,92170	0,45283
11:59	-0,25381	0,00000	0,45283
12:05	0,19036	-1,85050	0,45283
12:11	0,31726	-1,85050	0,37736
12:17	-0,31726	-1,85050	0,37736
12:23	0,31726	-1,77940	0,37736
12:29	-0,31726	-1,77940	0,37736
12:35	0,31726	-1,77940	0,37736
12:41	0,25381	-7,54450	-1,28300
12:47	-0,31726	-7,54450	-2,49060
12:53	-0,44416	-8,04270	-2,86790
12:59	0,44416	-7,11740	-3,09430
13:05	-0,44416	-8,04270	-3,32080
13:11	0,38071	-7,54450	-3,47170
13:17	-0,25381	-7,11740	-3,54720
13:23	0,38071	-7,54450	-3,54720
13:29	-0,38071	-7,11740	-3,54720
13:35	-0,31726	-7,11740	-3,62260
13:41	0,38071	-7,11740	-3,54720
13:47	-0,31726	-7,11740	-3,62260
13:53	0,44416	-7,11740	-3,54720
13:59	-0,31726	-7,11740	-3,54720
14:05	-0,44416	-6,69040	-3,54720
14:11	-0,38071	-6,33450	-3,47170
14:17	-0,31726	-6,33450	-3,54720
14:23	0,50761	-5,97860	-3,54720
14:29	0,50761	-5,97860	-3,54720
14:35	0,57107	-6,69040	-3,54720
14:41	-0,57107	-6,33450	-3,62260
14:47	-0,57107	-6,33450	-4,07550
14:53	0,63452	-6,33450	-3,62260
14:59	0,63452	-6,33450	-3,62260
15:05	0,69797	-6,33450	-3,62260
15:11	-0,63452	-5,62280	-3,62260
15:17	-0,69797	-5,97860	-4,15090
15:23	0,69797	-5,97860	-4,22640
15:29	-0,63452	-6,33450	-4,22640

Time (hh:mm)	DEP-1 Calculated Field, (V/m)	DEP-2 Calculated Field, (V/m)	DEP-3 Calculated Field, (V/m)
15:35	0,50761	-5,97860	-4,30190
15:41	0,88832	-5,97860	-4,30190
15:47	0,76142	-5,97860	-4,30190
15:53	-0,63452	-5,97860	-4,30190
15:59	-0,63452	-6,33450	-4,30190
16:05	0,76142	-6,33450	-3,69810
16:11	0,69797	-5,97860	-3,69810
16:17	0,69797	-6,33450	-4,30190
16:23	0,76142	-5,97860	-3,69810
16:29	-0,76142	-6,33450	-3,62260
16:35	0,63452	-6,69040	-3,54720
16:41	-0,76142	-6,69040	-3,54720
16:47	-0,76142	-6,69040	-3,47170
16:53	-0,82487	-6,69040	-3,62260
16:59	-0,82487	-6,69040	-3,54720
17:05	-0,69797	-6,69040	-3,47170
17:11	-0,69797	-6,69040	-3,39620
17:17	0,69797	-6,69040	-3,32080
17:23	-0,88832	-6,69040	-3,32080
17:29	0,69797	-6,33450	-3,16980
17:35	0,76142	-6,69040	-3,09430
17:41	-0,69797	-6,69040	-3,01890
17:47	-0,88832	-7,11740	-3,01890
17:53	0,82487	-7,11740	-2,94340
17:59	0,57107	-7,11740	-2,86790
18:05	-0,82487	-7,11740	-2,79250
18:11	-0,82487	-6,69040	-2,71700
18:17	-0,88832	-7,11740	-2,71700
18:23	-0,82487	-7,11740	-2,64150
18:29	-0,82487	-6,69040	-2,56600
18:35	-1,01520	-7,11740	-2,56600
18:41	-0,95178	-7,11740	-2,49060
18:47	-0,76142	-6,69040	-2,49060
18:53	-0,88832	-7,54450	-2,41510
18:59	0,82487	-7,54450	-2,26420
19:05	-0,95178	-7,54450	-2,26420
19:11	1,01520	-7,54450	-2,41510
19:17	0,82487	-7,54450	-2,41510
19:23	-0,95178	-7,11740	-2,49060
19:29	0,82487	-7,54450	-2,41510
19:35	1,01520	8,04270	-2,49060
19:41	-0,95178	-8,04270	-2,41510
19:47	1,01520	7,54450	-2,41510
19:53	1,01520	8,04270	-2,41510
19:59	1,01520	-8,04270	-2,41510
20:05	0,57107	3,62990	-1,43400
20:11	-0,44416	2,27760	-0,83019
20:17	-0,63452	-1,70820	-0,90566
20:23	-0,63452	-1,21000	-1,05660
20:29	0,57107	0,56940	-1,20750
20:35	-0,69797	1,70820	-1,28300
20:41	-0,50761	0,71174	-1,35850
20:47	-0,50761	0,56940	-1,43400

Time (hh:mm)	DEP-1 Calculated Field, (V/m)	DEP-2 Calculated Field, (V/m)	DEP-3 Calculated Field, (V/m)
20:53	-0,38071	0,64057	-1,50940
20:59	0,50761	0,64057	-1,58490
21:05	0,44416	0,78292	-1,66040
21:11	0,44416	-0,71174	-1,73580
21:17	0,50761	0,56940	-1,73580
21:23	-0,38071	0,92527	-1,35850
21:29	-0,25381	1,35230	-1,28300
21:35	-0,38071	-1,13880	-1,13210
21:41	-0,69797	-1,06760	-1,13210
21:47	-1,14210	1,13880	-1,13210
21:53	-1,14210	-1,42350	-0,98113
21:59	-1,20560	-1,35230	-0,98113
22:05	-1,90360	-2,77580	-2,49060
22:11	-2,03050	2,56230	-2,41510
22:17	-2,09390	-2,49110	-2,41510
22:23	-2,15740	-2,06410	-2,33960

Time (hh:mm)	DEP-1 Calculated Field, (V/m)	DEP-2 Calculated Field, (V/m)	DEP-3 Calculated Field, (V/m)
22:29	-2,09390	1,42350	-2,33960
22:35	-2,03050	1,56580	-2,33960
22:41	-2,03050	1,21000	-2,33960
22:47	-2,03050	-1,49470	-2,33960
22:53	-2,03050	1,06760	-2,33960
22:59	-1,96700	-1,28110	-2,26420
23:05	-2,03050	-1,35230	-2,26420
23:11	-1,96700	1,28110	-2,26420
23:17	-1,96700	-1,35230	-2,26420
23:23	-2,03050	-1,13880	-2,26420
23:29	-1,90360	-1,28110	-2,26420
23:35	-1,90360	1,13880	-2,26420
23:41	-1,90360	1,35230	-2,18870
23:47	-1,84010	1,28110	-2,26420
23:53	-1,84010	1,21000	-2,18870
23:59	-1,77660	-1,35230	-2,18870

Annex 5. Information from DEP-sensors for 18/03/00

Time (hh:mm)	DEP-1 Calculated Field, (V/m)	DEP-2 Calculated Field, (V/m)	DEP-3 Calculated Field, (V/m)
0:05	-1,77660	-1,21000	-2,18870
0:11	-1,77660	1,28110	-2,18870
0:17	-1,77660	-1,28110	-2,18870
0:23	-1,71320	1,13880	-2,18870
0:29	-1,71320	1,21000	-2,18870
0:35	-1,71320	-1,28110	-2,18870
0:41	-1,71320	-1,35230	-2,11320
0:47	-1,64970	1,28110	-2,11320
0:53	-1,64970	1,35230	-1,88680
0:59	-1,71320	-1,21000	-2,18870
1:05	-1,64970	-1,70820	-2,18870
1:11	-1,64970	1,42350	-2,33960
1:17	-1,64970	1,35230	-2,33960
1:23	-1,58630	-1,49470	-2,41510
1:29	-1,58630	-1,35230	-2,41510
1:35	-1,52280	1,35230	-2,41510
1:41	-1,52280	1,21000	-2,41510
1:47	-1,52280	1,56580	-2,49060
1:53	-1,45940	1,56580	-2,49060
1:59	-1,52280	1,49470	-2,41510
2:05	-1,52280	1,49470	-2,41510
2:11	-1,71320	-1,56580	-2,41510
2:17	-1,71320	-1,70820	-2,41510
2:23	-1,45940	1,77940	-2,33960
2:29	-1,58630	-1,70820	-2,41510
2:35	-1,58630	1,63700	-2,41510
2:41	-1,64970	-2,27760	-2,41510
2:47	-1,71320	1,63700	-2,41510
2:53	-1,84010	-2,27760	-2,49060
2:59	-1,90360	-1,77940	-2,18870
3:05	-1,96700	-2,34880	-2,33960
3:11	-2,09390	1,28110	-2,56600
3:17	-2,09390	-2,49110	-2,49060
3:23	-2,15740	-2,13520	-2,64150
3:29	-2,22080	2,63350	-2,71700
3:35	-2,28430	2,84700	-2,79250
3:41	-2,34770	2,70460	-2,94340
3:47	-2,41120	-2,49110	-3,01890
3:53	-2,53810	-2,06410	-3,16980
3:59	-2,53810	2,20640	-3,16980
4:05	-2,60150	2,41990	-3,24530
4:11	-2,60150	-2,77580	-3,32080
4:17	-2,66500	1,77940	-3,39620
4:23	-2,66500	2,27760	-3,39620
4:29	-2,72840	-2,27760	-3,39620
4:35	-2,79190	-1,42350	-3,47170
4:41	-2,72840	-2,63350	-3,47170
4:47	-2,79190	1,63700	-3,54720
4:53	-2,79190	2,27760	-3,54720
4:59	-2,85530	-2,20640	-3,47170
5:05	-2,79190	-2,34880	-3,47170

Time (hh:mm)	DEP-1 Calculated Field, (V/m)	DEP-2 Calculated Field, (V/m)	DEP-3 Calculated Field, (V/m)
5:11	-2,85530	-1,99290	-3,47170
5:17	-2,85530	-2,34880	-3,54720
5:23	-2,85530	2,41990	-3,54720
5:29	-2,91880	2,98930	-3,54720
5:35	-2,91880	2,27760	-3,54720
5:41	-2,91880	-2,70460	-3,62260
5:47	-2,98220	-2,06410	-3,54720
5:53	-2,98220	2,06410	-3,54720
5:59	-3,04570	-2,13520	-3,54720
6:05	-2,98220	-2,34880	-3,54720
6:11	-3,04570	-1,49470	-3,54720
6:17	-2,98220	-2,13520	-3,54720
6:23	-2,53810	-0,21352	-2,18870
6:29	-2,41120	-0,56940	-1,28300
6:35	-2,34770	-0,64057	-0,83019
6:41	-2,28430	-0,78292	-0,67925
6:47	-2,28430	-0,92527	-0,45283
6:53	-2,22080	1,21000	-0,37736
6:59	-2,22080	1,42350	-0,22642
7:05	-2,22080	1,63700	-0,15094
7:11	-2,22080	1,63700	-0,15094
7:17	-2,15740	-1,49470	-0,07547
7:23	-2,15740	-1,28110	-0,07547
7:29	-2,15740	1,21000	0,00000
7:35	-2,09390	1,13880	0,00000
7:41	-2,09390	-1,06760	0,00000
7:47	-2,09390	0,99644	0,07547
7:53	-2,09390	0,99644	0,07547
7:59	-1,90360	-0,92527	0,07547
8:05	-1,71320	0,92527	0,07547
8:11	-1,45940	0,78292	0,15094
8:17	-1,45940	0,85409	0,15094
8:23	-0,76142	-0,78292	0,15094
8:29	-0,69797	-0,78292	0,15094
8:35	-0,63452	-0,78292	0,15094
8:41	-0,57107	-0,85409	0,15094
8:47	-0,44416	0,85409	0,22642
8:53	0,31726	0,78292	0,22642
8:59	-0,19036	1,56580	0,22642
9:05	0,25381	-1,56580	0,22642
9:11	0,31726	-2,13520	0,22642
9:17	0,19036	1,77940	0,22642
9:23	-0,25381	-2,63350	0,30189
9:29	-0,25381	2,41990	0,30189
9:35	0,25381	3,41640	0,30189
9:41	0,19036	3,41640	0,30189
9:47	0,25381	3,41640	0,30189
9:53	0,31726	1,99290	0,30189
9:59	0,31726	1,49470	0,30189
10:05	-0,25381	0,42705	0,30189
10:11	-0,31726	1,63700	0,37736

Time (hh:mm)	DEP-1 Calculated Field, (V/m)	DEP-2 Calculated Field, (V/m)	DEP-3 Calculated Field, (V/m)
10:17	-0,31726	1,85050	0,37736
10:23	-0,31726	1,85050	0,37736
10:29	0,25381	1,77940	0,37736
10:35	0,31726	1,77940	0,37736
10:41	0,31726	1,77940	0,37736
10:47	-0,31726	2,13520	0,37736
10:53	0,31726	1,63700	0,45283
10:59	0,31726	1,63700	0,45283
11:05	-0,38071	-1,63700	0,45283
11:11	0,31726	2,06410	0,45283
11:17	-0,31726	-1,63700	0,45283
11:23	0,38071	1,70820	0,45283
11:29	-0,31726	-2,13520	0,45283
11:35	-0,31726	-1,70820	0,45283
11:41	0,38071	-1,70820	0,45283
11:47	-0,31726	1,70820	0,45283
11:53	-0,31726	-1,63700	0,45283
11:59	0,31726	-1,70820	0,45283
12:05	0,38071	2,20640	0,37736
12:11	-0,44416	2,20640	0,37736
12:17	0,25381	-1,63700	0,37736
12:23	0,31726	-1,63700	0,37736
12:29	-0,31726	2,13520	0,37736
12:35	-0,38071	-1,56580	0,37736
12:41	0,31726	2,13520	0,37736
12:47	-0,25381	-1,56580	0,30189
12:53	-0,25381	2,20640	0,30189
12:59	-0,31726	2,20640	0,30189
13:05	-0,25381	-1,56580	0,30189
13:11	-0,19036	-1,63700	0,22642
13:17	-0,38071	-1,63700	0,22642
13:23	0,44416	-1,63700	0,15094
13:29	0,25381	-1,63700	0,15094
13:35	-0,31726	-1,56580	0,15094
13:41	0,38071	-1,49470	0,07547
13:47	0,31726	-1,42350	0,07547
13:53	0,44416	-1,35230	0,00000
13:59	0,31726	-1,21000	0,00000
14:05	-0,38071	-1,06760	-0,07547
14:11	0,38071	-0,92527	-0,07547
14:17	-0,38071	-0,71174	-0,15094
14:23	-0,31726	-0,56940	-0,15094
14:29	0,31726	-0,42705	-0,22642
14:35	-0,25381	-0,28470	-0,22642
14:41	0,25381	-0,21352	-0,22642
14:47	-0,25381	-0,14235	-0,22642
14:53	-0,25381	-0,14235	-0,22642
14:59	-0,38071	0,14235	-0,22642
15:05	-0,31726	0,21352	-0,22642
15:11	0,31726	0,21352	-0,15094
15:17	-0,31726	0,28470	-0,15094
15:23	0,38071	0,28470	-0,07547
15:29	0,38071	0,35587	0,00000

Time (hh:mm)	DEP-1 Calculated Field, (V/m)	DEP-2 Calculated Field, (V/m)	DEP-3 Calculated Field, (V/m)
15:35	0,25381	0,35587	0,00000
15:41	-0,25381	0,42705	0,07547
15:47	0,38071	-0,42705	0,07547
15:53	0,25381	0,85409	0,07547
15:59	0,31726	-0,49822	0,15094
16:05	0,38071	0,56940	0,07547
16:11	0,31726	-0,64057	0,07547
16:17	-0,38071	0,92527	0,07547
16:23	-0,25381	0,92527	0,07547
16:29	0,25381	-0,78292	0,07547
16:35	0,31726	0,71174	0,07547
16:41	-0,31726	0,78292	0,07547
16:47	-0,25381	-0,78292	0,00000
16:53	-0,25381	-0,85409	0,00000
16:59	0,38071	-0,85409	0,00000
17:05	0,31726	0,85409	0,07547
17:11	-0,31726	0,92527	0,07547
17:17	0,31726	0,92527	0,07547
17:23	-0,31726	-1,06760	0,07547
17:29	0,31726	1,70820	0,07547
17:35	-0,25381	1,70820	0,07547
17:41	0,31726	-1,21000	-0,07547
17:47	0,31726	1,70820	0,00000
17:53	0,31726	1,13880	0,00000
17:59	0,19036	1,70820	-0,07547
18:05	0,38071	1,70820	-0,07547
18:11	0,31726	-1,06760	-0,15094
18:17	0,25381	1,35230	-0,15094
18:23	-0,31726	-1,35230	-0,15094
18:29	-0,31726	-1,49470	-0,22642
18:35	-0,19036	-1,35230	-0,22642
18:41	-0,31726	-1,28110	-0,22642
18:47	-0,31726	-1,35230	-0,22642
18:53	-0,31726	1,28110	-0,30189
18:59	0,31726	-1,21000	-1,13210
19:05	-0,31726	1,77940	-1,13210
19:11	-0,31726	-1,28110	-1,13210
19:17	0,31726	1,77940	-1,13210
19:23	-0,31726	-1,28110	-1,13210
19:29	0,31726	-1,21000	-1,20750
19:35	0,31726	1,70820	-1,20750
19:41	0,31726	1,70820	-1,13210
19:47	0,25381	-1,06760	-1,13210
19:53	0,25381	0,92527	-1,13210
19:59	-0,31726	0,92527	-1,13210
20:05	0,38071	0,21352	-1,13210
20:11	-0,38071	-0,35587	-0,60377
20:17	-0,50761	-0,49822	-0,60377
20:23	0,31726	-0,56940	-0,60377
20:29	-0,25381	-0,64057	-0,67925
20:35	0,31726	0,14235	-0,75472
20:41	-0,31726	-0,14235	-0,83019
20:47	0,25381	0,28470	-0,90566

Time (hh:mm)	DEP-1 Calculated Field, (V/m)	DEP-2 Calculated Field, (V/m)	DEP-3 Calculated Field, (V/m)
20:53	0,31726	-0,07117	-0,90566
20:59	0,19036	0,14235	-1,05660
21:05	0,31726	0,21352	-1,13210
21:11	-0,31726	-0,28470	-1,20750
21:17	0,25381	-0,35587	-1,35850
21:23	-0,25381	-0,21352	-1,20750
21:29	-0,31726	-0,14235	-0,98113
21:35	-0,50761	-0,07117	-0,98113
21:41	-1,01520	-0,07117	-0,98113
21:47	-1,14210	-0,07117	-0,98113
21:53	-1,07870	-0,07117	-0,98113
21:59	-1,20560	0,07117	-0,98113
22:05	-1,39590	-0,07117	-0,90566
22:11	-1,45940	-0,07117	-0,90566
22:17	-1,52280	-0,07117	-0,90566
22:23	-1,45940	-0,07117	-0,90566

Time (hh:mm)	DEP-1 Calculated Field, (V/m)	DEP-2 Calculated Field, (V/m)	DEP-3 Calculated Field, (V/m)
22:29	-1,52280	0,07117	-0,90566
22:35	-1,52280	-0,07117	-0,90566
22:41	-1,52280	0,07117	-0,90566
22:47	-1,45940	-0,21352	-0,90566
22:53	-1,45940	-0,35587	-0,90566
22:59	-1,33250	-0,42705	-0,90566
23:05	-1,33250	-0,42705	-0,83019
23:11	-1,26900	0,71174	-0,83019
23:17	-1,26900	-1,06760	-0,90566
23:23	-1,33250	-1,56580	-1,13210
23:29	-1,26900	-1,63700	-1,20750
23:35	-1,33250	1,42350	-1,35850
23:41	-1,33250	-1,13880	-1,43400
23:47	-1,20560	-1,42350	-1,35850
23:53	-1,14210	-1,35230	-1,28300
23:59	-1,14210	-1,63700	-1,28300

Annex 6. Information from DEP-sensors for 19/03/00

Time (hh:mm)	DEP-1 Calculated Field, (V/m)	DEP-2 Calculated Field, (V/m)	DEP-3 Calculated Field, (V/m)
0:05	-1,14210	1,63700	-1,13210
0:11	-1,01520	-1,70820	-1,05660
0:17	-1,01520	1,21000	-0,90566
0:23	-0,95178	-1,21000	-0,90566
0:29	-0,88832	1,06760	-0,90566
0:35	-0,88832	-0,99644	-0,90566
0:41	-0,76142	0,85409	-0,83019
0:47	-0,69797	-0,71174	-0,75472
0:53	-0,63452	-0,78292	-0,75472
0:59	-0,76142	0,64057	-0,75472
1:05	-0,63452	0,49822	-0,83019
1:11	-0,12690	0,71174	-0,98113
1:17	-0,57107	-0,64057	-0,90566
1:23	-0,63452	-0,71174	-0,90566
1:29	-0,57107	0,92527	-0,60377
1:35	-0,12690	0,78292	-0,60377
1:41	-0,57107	0,56940	-0,52830
1:47	-0,57107	0,42705	-0,52830
1:53	-0,88832	-0,35587	-0,52830
1:59	0,88832	-0,28470	-0,52830
2:05	-0,63452	-0,21352	-0,52830
2:11	0,57107	0,21352	-0,52830
2:17	-0,50761	-0,14235	-0,60377
2:23	0,50761	0,14235	-0,60377
2:29	-0,50761	-0,14235	-0,60377
2:35	-0,57107	-0,14235	-0,60377
2:41	-0,76142	-0,14235	-0,22642
2:47	0,76142	-0,14235	-0,37736
2:53	-0,63452	0,07117	0,15094
2:59	-0,69797	-0,07117	0,30189
3:05	-0,82487	-0,07117	0,30189
3:11	-1,01520	0,14235	0,37736
3:17	-1,07870	-0,07117	0,45283
3:23	-1,20560	-0,14235	0,45283
3:29	-1,26900	0,14235	0,45283
3:35	-1,39590	-0,14235	0,45283
3:41	-1,39590	-0,14235	0,52830
3:47	-1,45940	-0,14235	0,52830
3:53	-1,52280	-0,14235	0,52830
3:59	-1,52280	0,21352	0,52830
4:05	-1,58630	-0,14235	0,52830
4:11	-1,58630	-0,14235	0,52830
4:17	-1,58630	-0,14235	0,60377
4:23	-1,64970	-0,21352	-0,07547
4:29	-1,71320	-0,14235	0,83019
4:35	-1,58630	-0,21352	0,60377
4:41	-1,58630	0,21352	0,00000
4:47	-1,58630	-0,14235	0,60377
4:53	-1,64970	0,21352	0,52830
4:59	-1,71320	-0,14235	0,52830
5:05	-1,64970	0,21352	0,52830

Time (hh:mm)	DEP-1 Calculated Field, (V/m)	DEP-2 Calculated Field, (V/m)	DEP-3 Calculated Field, (V/m)
5:11	-1,77660	-0,21352	0,60377
5:17	-1,71320	-0,21352	0,60377
5:23	-1,84010	0,14235	0,07547
5:29	-1,77660	-0,21352	0,60377
5:35	-1,77660	0,28470	0,60377
5:41	-1,77660	-0,21352	0,60377
5:47	-1,84010	0,28470	0,60377
5:53	-1,84010	0,28470	0,60377
5:59	-1,84010	-0,21352	-0,07547
6:05	-1,84010	0,21352	0,60377
6:11	-1,90360	0,28470	0,60377
6:17	-1,90360	0,21352	0,52830
6:23	-1,90360	-0,21352	0,52830
6:29	-1,96700	-0,21352	0,52830
6:35	-1,96700	-0,35587	-0,07547
6:41	-1,96700	-0,28470	0,45283
6:47	-2,03050	0,14235	0,37736
6:53	-1,96700	-0,14235	0,37736
6:59	-2,09390	0,14235	0,30189
7:05	-2,03050	-0,07117	0,30189
7:11	-2,03050	-0,14235	0,22642
7:17	-2,09390	0,07117	0,22642
7:23	-1,96700	-0,07117	0,22642
7:29	-2,03050	0,07117	0,15094
7:35	-1,96700	-0,07117	0,15094
7:41	-1,96700	-0,07117	0,15094
7:47	-1,96700	0,07117	0,15094
7:53	-1,77660	0,07117	0,15094
7:59	-1,64970	-0,07117	0,15094
8:05	-1,45940	-0,07117	0,15094
8:11	-1,20560	-0,14235	0,15094
8:17	-1,07870	-0,14235	0,15094
8:23	-0,88832	0,14235	0,22642
8:29	-0,88832	-0,14235	0,22642
8:35	0,69797	-0,14235	0,22642
8:41	0,63452	-0,14235	0,22642
8:47	-0,50761	0,14235	0,22642
8:53	0,50761	0,14235	0,22642
8:59	0,38071	0,28470	0,22642
9:05	0,31726	-0,35587	0,30189
9:11	-0,38071	0,92527	0,30189
9:17	-0,31726	-0,92527	0,30189
9:23	-0,31726	1,70820	0,37736
9:29	0,25381	-1,13880	0,30189
9:35	-0,38071	-1,28110	0,30189
9:41	0,38071	-1,35230	0,22642
9:47	-0,38071	-1,35230	0,30189
9:53	-0,38071	-1,63700	0,22642
9:59	-0,38071	-1,85050	0,15094
10:05	0,38071	-1,92170	0,07547
10:11	0,31726	-1,92170	0,07547

Time (hh:mm)	DEP-1 Calculated Field, (V/m)	DEP-2 Calculated Field, (V/m)	DEP-3 Calculated Field, (V/m)
10:17	0,38071	-2,20640	0,07547
10:23	0,38071	-2,27760	0,07547
10:29	0,38071	-2,34880	0,07547
10:35	0,38071	-2,34880	-0,07547
10:41	0,38071	-2,27760	0,00000
10:47	-0,38071	-2,27760	0,00000
10:53	0,44416	-2,27760	0,00000
10:59	0,25381	-2,34880	0,00000
11:05	0,38071	-2,27760	0,07547
11:11	0,38071	-2,27760	0,00000
11:17	0,38071	-2,34880	0,00000
11:23	-0,38071	-2,27760	0,00000
11:29	0,31726	-2,27760	0,00000
11:35	0,31726	-2,27760	-0,07547
11:41	-0,44416	-2,27760	-0,07547
11:47	-0,31726	-2,20640	-0,15094
11:53	-0,44416	-2,20640	-0,15094
11:59	-0,25381	-2,20640	-0,15094
12:05	-0,38071	-2,13520	-0,22642
12:11	-0,38071	-1,92170	-0,22642
12:17	0,38071	-1,85050	-0,22642
12:23	-0,31726	-1,85050	-0,22642
12:29	-0,38071	-1,85050	-0,22642
12:35	0,31726	-1,85050	-0,30189
12:41	0,31726	-1,85050	-0,30189
12:47	-0,38071	-1,85050	-0,22642
12:53	0,31726	-1,85050	-0,22642
12:59	-0,44416	-1,85050	-0,22642
13:05	0,31726	-1,85050	-0,30189
13:11	0,38071	-1,85050	-0,30189
13:17	0,31726	-1,85050	-0,30189
13:23	-0,31726	-1,85050	-0,30189
13:29	0,31726	-1,85050	-0,37736
13:35	-0,25381	-1,77940	-0,37736
13:41	0,25381	-2,20640	-0,45283
13:47	0,31726	-2,20640	-0,45283
13:53	-0,38071	-1,49470	-0,52830
13:59	0,38071	-1,28110	-0,52830
14:05	0,25381	-1,21000	-0,52830
14:11	0,38071	-1,06760	-0,60377
14:17	-0,31726	-0,92527	-0,60377
14:23	-0,31726	-0,78292	-0,60377
14:29	-0,25381	-0,64057	-0,67925
14:35	-0,25381	-0,49822	-0,67925
14:41	0,38071	-0,42705	-0,67925
14:47	0,38071	-0,35587	-0,67925
14:53	0,25381	-0,28470	-0,67925
14:59	-0,31726	-0,28470	-0,60377
15:05	-0,31726	-0,21352	-0,60377
15:11	-0,31726	-0,14235	-0,60377
15:17	-0,31726	-0,14235	-0,52830
15:23	0,38071	0,21352	-0,45283
15:29	0,31726	-0,35587	-0,45283

Time (hh:mm)	DEP-1 Calculated Field, (V/m)	DEP-2 Calculated Field, (V/m)	DEP-3 Calculated Field, (V/m)
15:35	-0,38071	0,35587	-0,37736
15:41	-0,31726	-0,42705	-0,30189
15:47	-0,38071	-0,49822	-0,22642
15:53	-0,31726	-0,42705	-0,22642
15:59	-0,38071	0,85409	-0,15094
16:05	-0,31726	-0,64057	-0,15094
16:11	0,31726	0,85409	-0,15094
16:17	-0,31726	-0,71174	-0,15094
16:23	0,25381	-0,71174	-0,15094
16:29	0,31726	-0,78292	-0,22642
16:35	-0,31726	-0,78292	-0,30189
16:41	-0,31726	-0,78292	-0,30189
16:47	-0,31726	-0,78292	-0,30189
16:53	-0,38071	0,85409	-0,30189
16:59	-0,38071	0,85409	-0,30189
17:05	-0,31726	-0,85409	-0,37736
17:11	-0,25381	-0,99644	-0,37736
17:17	-0,25381	-1,13880	-0,37736
17:23	-0,31726	-1,13880	-0,30189
17:29	0,38071	-1,13880	-0,30189
17:35	-0,38071	-1,21000	-0,45283
17:41	-0,25381	-1,28110	-0,52830
17:47	-0,31726	1,77940	-0,60377
17:53	0,25381	-1,42350	-0,60377
17:59	-0,31726	-1,49470	-0,67925
18:05	0,50761	-8,04270	-2,56600
18:11	0,57107	-7,54450	-2,71700
18:17	-0,50761	-7,54450	-2,71700
18:23	0,50761	-7,54450	-2,79250
18:29	-0,38071	-8,04270	-2,79250
18:35	0,69797	-8,04270	-2,71700
18:41	-0,38071	-8,04270	-2,71700
18:47	0,50761	-9,11030	-2,64150
18:53	0,50761	-9,11030	-2,71700
18:59	0,57107	-9,11030	-2,71700
19:05	0,57107	-9,67970	-2,71700
19:11	0,57107	-9,11030	-2,64150
19:17	-0,57107	-8,04270	-2,64150
19:23	-0,69797	-9,67970	-2,64150
19:29	0,57107	-10,88970	-2,56600
19:35	-0,63452	-2,63350	-2,56600
19:41	-0,69797	14,73310	-2,49060
19:47	0,82487	-9,11030	-2,41510
19:53	0,82487	-9,67970	-2,41510
19:59	-0,76142	-10,24910	-2,41510
20:05	0,57107	3,41640	-1,43400
20:11	-0,63452	0,49822	-1,28300
20:17	-0,57107	-2,56230	-1,66040
20:23	-0,57107	-0,28470	-1,88680
20:29	-0,57107	-0,71174	-1,88680
20:35	-0,50761	-0,78292	0,00000
20:41	0,44416	0,49822	0,00000
20:47	-0,50761	-0,49822	0,00000

Time (hh:mm)	DEP-1 Calculated Field, (V/m)	DEP-2 Calculated Field, (V/m)	DEP-3 Calculated Field, (V/m)
20:53	-0,38071	-0,56940	0,00000
20:59	0,44416	-0,64057	-1,88680
21:05	-0,38071	0,49822	-1,88680
21:11	-0,38071	0,56940	-2,26420
21:17	-0,38071	-0,71174	-1,81130
21:23	0,25381	-0,85409	-1,50940
21:29	0,38071	0,99644	-1,43400
21:35	-0,38071	-0,99644	-1,35850
21:41	-1,01520	-1,35230	-1,28300
21:47	-1,52280	1,92170	-1,28300
21:53	-1,52280	-1,28110	-1,13210
21:59	-1,64970	1,35230	-1,05660
22:05	-2,34770	1,99290	-2,41510
22:11	-2,53810	-2,49110	-2,33960
22:17	-2,53810	-2,34880	-2,33960
22:23	-2,66500	-1,42350	-2,33960

Time (hh:mm)	DEP-1 Calculated Field, (V/m)	DEP-2 Calculated Field, (V/m)	DEP-3 Calculated Field, (V/m)
22:29	-2,47460	-1,70820	-2,33960
22:35	-2,47460	1,49470	-2,26420
22:41	-2,41120	-1,13880	-2,26420
22:47	-2,34770	1,21000	-2,26420
22:53	-2,28430	1,42350	-2,26420
22:59	-2,28430	1,35230	-2,26420
23:05	-2,34770	-1,35230	-2,18870
23:11	-2,28430	-1,42350	-2,18870
23:17	-2,22080	1,21000	-2,18870
23:23	-2,15740	1,35230	-2,18870
23:29	-2,09390	-1,28110	-2,18870
23:35	-2,03050	1,28110	-2,18870
23:41	-2,03050	1,49470	-2,18870
23:47	-2,03050	-1,28110	-2,18870
23:53	-1,90360	1,35230	-2,18870
23:59	-1,84010	-1,42350	-1,96230

Annex 7. Information from DEP-sensors for 20/03/00

Time (hh:mm)	DEP-1 Calculated Field, (V/m)	DEP-2 Calculated Field, (V/m)	DEP-3 Calculated Field, (V/m)
0:05	-1,84010	-1,28110	-2,26420
0:11	-1,84010	1,42350	-2,26420
0:17	-1,84010	1,42350	-2,26420
0:23	-1,77660	-1,42350	-2,26420
0:29	-1,77660	-1,28110	-2,26420
0:35	-1,64970	1,42350	-2,26420
0:41	-1,71320	1,35230	-2,26420
0:47	-1,71320	1,35230	-2,26420
0:53	-1,71320	1,35230	-2,26420
0:59	-1,77660	1,35230	-2,33960
1:05	-1,58630	1,35230	-2,33960
1:11	-1,64970	-1,56580	-2,41510
1:17	-1,71320	1,49470	-2,41510
1:23	-1,64970	-1,35230	-2,41510
1:29	-1,77660	-1,28110	-2,41510
1:35	-1,71320	1,42350	-2,41510
1:41	-1,58630	0,42705	-2,41510
1:47	-0,25381	-0,49822	-1,20750
1:53	-0,25381	-0,56940	-0,90566
1:59	-0,82487	0,71174	-0,83019
2:05	-0,76142	-0,85409	-0,75472
2:11	-0,82487	0,85409	-0,75472
2:17	-0,88832	0,85409	-0,67925
2:23	-0,76142	-1,49470	-0,67925
2:29	-0,69797	-1,70820	-0,67925
2:35	-0,69797	1,70820	-0,67925
2:41	-0,63452	1,35230	-0,52830
2:47	-0,76142	-1,42350	-0,52830
2:53	-0,76142	1,35230	-0,15094
2:59	-0,82487	1,13880	-0,07547
3:05	-1,01520	-1,13880	0,07547
3:11	-1,07870	-1,06760	0,07547
3:17	-1,14210	1,13880	0,07547
3:23	-1,26900	-1,06760	0,15094
3:29	-1,33250	1,13880	0,15094
3:35	-1,39590	-1,13880	0,22642
3:41	-1,45940	1,06760	0,22642
3:47	-1,45940	1,06760	0,22642
3:53	-1,52280	0,99644	0,22642
3:59	-1,58630	1,13880	0,22642
4:05	-1,58630	2,06410	0,22642
4:11	-1,64970	-1,49470	0,22642
4:17	-1,64970	1,56580	0,22642
4:23	-1,64970	-3,41640	0,15094
4:29	-1,58630	-2,91810	0,15094
4:35	-1,64970	-1,99290	0,15094
4:41	-1,71320	-1,92170	0,15094
4:47	-1,58630	1,49470	0,15094
4:53	-1,77660	2,20640	0,15094
4:59	-1,64970	-3,27400	0,15094
5:05	-1,71320	-3,41640	0,15094

Time (hh:mm)	DEP-1 Calculated Field, (V/m)	DEP-2 Calculated Field, (V/m)	DEP-3 Calculated Field, (V/m)
5:11	-1,71320	3,55870	0,15094
5:17	-1,84010	3,55870	0,15094
5:23	-1,84010	-1,35230	0,07547
5:29	-1,77660	0,28470	0,07547
5:35	-1,77660	-3,13170	0,07547
5:41	-1,84010	-1,42350	0,07547
5:47	-1,90360	-3,34520	0,15094
5:53	-1,90360	-2,49110	0,15094
5:59	-1,96700	-3,13170	0,15094
6:05	-1,96700	-3,34520	0,07547
6:11	-1,96700	-2,70460	0,15094
6:17	-1,96700	-3,34520	0,15094
6:23	-1,96700	-2,91810	0,07547
6:29	-2,03050	-3,34520	0,07547
6:35	-2,03050	-3,34520	0,07547
6:41	-2,03050	3,55870	0,07547
6:47	-2,03050	-2,20640	-0,07547
6:53	-2,09390	3,55870	0,07547
6:59	-2,09390	-2,41990	0,07547
7:05	-2,03050	3,48750	0,07547
7:11	-2,03050	3,48750	-0,07547
7:17	-2,09390	-2,84700	0,00000
7:23	-2,09390	-3,06050	0,00000
7:29	-1,96700	0,00000	0,00000
7:35	-2,03050	-1,35230	0,00000
7:41	-2,03050	-2,70460	0,00000
7:47	-1,96700	-1,13880	0,00000
7:53	-1,77660	-1,63700	0,00000
7:59	-1,58630	1,42350	0,00000
8:05	-1,45940	-0,99644	0,00000
8:11	-1,33250	1,28110	0,00000
8:17	-0,95178	-1,06760	0,00000
8:23	-0,95178	0,85409	0,00000
8:29	-1,01520	0,85409	0,00000
8:35	0,88832	-0,99644	0,00000
8:41	0,63452	-0,78292	-0,07547
8:47	-0,63452	-1,21000	-0,07547
8:53	0,50761	-2,13520	-0,07547
8:59	-0,44416	-1,56580	0,00000
9:05	0,25381	-2,06410	0,00000
9:11	0,31726	0,85409	-0,07547
9:17	-0,31726	-2,06410	-0,07547
9:23	0,31726	-1,92170	-0,07547
9:29	-0,25381	0,85409	-0,07547
9:35	0,31726	1,77940	-0,07547
9:41	0,31726	1,70820	-0,07547
9:47	0,31726	1,56580	-0,07547
9:53	0,31726	1,56580	0,00000
9:59	-0,25381	1,56580	0,00000
10:05	-0,38071	1,70820	0,00000
10:11	-0,31726	1,99290	0,07547

Time (hh:mm)	DEP-1 Calculated Field, (V/m)	DEP-2 Calculated Field, (V/m)	DEP-3 Calculated Field, (V/m)
10:17	-0,31726	1,77940	0,07547
10:23	-0,38071	2,06410	-0,07547
10:29	-0,31726	1,77940	0,07547
10:35	-0,31726	-1,42350	0,00000
10:41	-0,25381	-1,70820	0,00000
10:47	0,31726	2,06410	0,07547
10:53	-0,31726	1,70820	0,07547
10:59	-0,38071	-1,70820	0,00000
11:05	0,44416	1,70820	-0,07547
11:11	-0,31726	-1,49470	-0,07547
11:17	-0,31726	2,13520	0,07547
11:23	-0,38071	-1,63700	0,07547
11:29	0,31726	-1,70820	-0,07547
11:35	0,31726	-1,70820	0,07547
11:41	0,25381	-1,70820	-0,07547
11:47	0,31726	-1,70820	0,00000
11:53	0,31726	-1,77940	0,00000
11:59	-0,38071	-1,56580	-0,07547
12:05	0,38071	-1,70820	-0,07547
12:11	0,31726	-1,63700	-0,07547
12:17	-0,31726	1,63700	-0,07547
12:23	-0,31726	1,63700	-0,15094
12:29	0,38071	2,13520	-0,15094
12:35	0,38071	-1,49470	-0,15094
12:41	-0,19036	-1,56580	-0,15094
12:47	0,25381	1,56580	-0,22642
12:53	0,31726	1,56580	-0,22642
12:59	-0,25381	-1,56580	-0,22642
13:05	-0,31726	-1,56580	-0,30189
13:11	0,31726	-1,56580	-0,30189
13:17	0,31726	-1,56580	-0,30189
13:23	-0,25381	-1,56580	-0,30189
13:29	-0,31726	2,06410	-0,30189
13:35	0,44416	-1,56580	-0,37736
13:41	-0,38071	-1,49470	-0,45283
13:47	-0,38071	-1,35230	-0,45283
13:53	-0,31726	-1,21000	-0,52830
13:59	0,25381	-1,13880	-0,52830
14:05	0,31726	-0,92527	-0,60377
14:11	0,31726	-1,06760	-0,60377
14:17	0,31726	-0,64057	-0,67925
14:23	0,19036	-0,49822	-0,67925
14:29	-0,38071	-0,42705	-0,75472
14:35	-0,44416	-0,35587	-0,83019
14:41	0,38071	-0,28470	-0,90566
14:47	0,38071	-0,21352	-0,83019
14:53	-0,25381	-0,21352	-0,83019
14:59	-0,31726	-0,21352	-0,83019
15:05	0,31726	0,28470	-0,83019
15:11	-0,25381	0,28470	-0,75472
15:17	-0,25381	0,28470	-0,75472
15:23	-0,38071	0,21352	-0,67925
15:29	0,31726	0,28470	-0,60377

Time (hh:mm)	DEP-1 Calculated Field, (V/m)	DEP-2 Calculated Field, (V/m)	DEP-3 Calculated Field, (V/m)
15:35	-0,38071	0,35587	-0,60377
15:41	-0,38071	-0,35587	-0,52830
15:47	0,31726	0,42705	-0,52830
15:53	0,31726	0,49822	-0,52830
15:59	0,31726	-0,56940	-0,45283
16:05	-0,38071	0,85409	-0,45283
16:11	-0,25381	-0,64057	-0,45283
16:17	0,31726	-0,71174	-0,37736
16:23	-0,31726	-0,78292	-0,30189
16:29	-0,31726	0,99644	-0,22642
16:35	0,31726	-0,85409	-0,22642
16:41	0,31726	-0,78292	-0,22642
16:47	0,31726	-0,78292	-0,22642
16:53	-0,25381	0,78292	-0,22642
16:59	-0,38071	0,85409	-0,22642
17:05	-0,25381	0,92527	-0,22642
17:11	0,31726	0,00000	-0,22642
17:17	-0,25381	0,85409	-0,22642
17:23	-0,38071	0,92527	-0,22642
17:29	-0,25381	-1,06760	-0,22642
17:35	0,31726	1,70820	-0,30189
17:41	-0,31726	-1,21000	-0,30189
17:47	-0,31726	0,00000	-0,30189
17:53	0,38071	1,70820	-0,37736
17:59	0,44416	1,77940	-0,37736
18:05	-0,38071	-1,21000	-0,37736
18:11	-0,31726	1,77940	-0,45283
18:17	0,38071	1,28110	-0,45283
18:23	-0,31726	-1,35230	-0,45283
18:29	0,25381	-1,35230	-0,52830
18:35	-0,31726	-1,28110	-0,52830
18:41	0,31726	-1,06760	-0,52830
18:47	-0,31726	1,77940	-0,60377
18:53	0,31726	-1,13880	-0,60377
18:59	0,31726	-1,56580	-1,50940
19:05	-0,31726	-1,35230	-1,35850
19:11	-0,31726	-1,42350	-1,35850
19:17	-0,31726	-1,63700	-1,43400
19:23	0,38071	-1,63700	-1,43400
19:29	-0,31726	-1,49470	-1,35850
19:35	-0,38071	-1,99290	-1,43400
19:41	0,25381	-1,49470	-1,43400
19:47	0,25381	-1,28110	-1,35850
19:53	-0,31726	-1,21000	-1,28300
19:59	-0,38071	0,99644	-1,35850
20:05	0,38071	0,14235	-1,28300
20:11	0,38071	-0,28470	-0,67925
20:17	-0,38071	-0,42705	-0,67925
20:23	0,38071	-0,42705	-0,67925
20:29	-0,44416	-0,49822	-0,67925
20:35	0,44416	-0,21352	-0,67925
20:41	-0,44416	-0,49822	-0,75472
20:47	-0,38071	0,92527	-0,75472

Time (hh:mm)	DEP-1 Calculated Field, (V/m)	DEP-2 Calculated Field, (V/m)	DEP-3 Calculated Field, (V/m)
20:53	0,31726	0,14235	-0,75472
20:59	0,44416	-0,14235	-0,75472
21:05	-0,38071	-0,14235	-0,83019
21:11	-0,31726	0,14235	-0,83019
21:17	-0,38071	-0,28470	-0,90566
21:23	0,44416	-0,07117	-1,43400
21:29	0,44416	-0,07117	-1,35850
21:35	0,50761	-0,14235	-1,28300
21:41	1,07870	-0,14235	-1,28300
21:47	1,20560	-0,21352	-1,28300
21:53	-1,26900	0,21352	-1,20750
21:59	-1,39590	-0,21352	-1,20750
22:05	-1,52280	-0,21352	-1,13210
22:11	-1,45940	-0,21352	-1,13210
22:17	-1,52280	0,21352	-1,05660
22:23	-1,45940	-0,28470	-0,98113

Time (hh:mm)	DEP-1 Calculated Field, (V/m)	DEP-2 Calculated Field, (V/m)	DEP-3 Calculated Field, (V/m)
22:29	-1,52280	0,28470	-0,98113
22:35	-1,39590	0,28470	-0,98113
22:41	-1,45940	-0,28470	-0,90566
22:47	-1,45940	-0,28470	-0,90566
22:53	-1,33250	0,28470	-0,83019
22:59	-1,33250	-0,28470	-0,75472
23:05	-1,26900	-0,35587	-0,75472
23:11	-1,20560	-0,35587	-0,75472
23:17	-1,26900	-0,28470	-0,75472
23:23	-1,14210	-0,28470	-0,67925
23:29	-1,14210	0,28470	-0,75472
23:35	-1,01520	-0,21352	-0,67925
23:41	-1,01520	0,21352	-0,67925
23:47	-1,01520	0,21352	-0,67925
23:53	-0,88832	-0,21352	-0,67925
23:59	-0,88832	-0,28470	-0,67925

Annex 8. Information from DEP-sensors for 21/03/00

Time (hh:mm)	DEP-1 Calculated Field, (V/m)	DEP-2 Calculated Field, (V/m)	DEP-3 Calculated Field, (V/m)
0:05	-0,76142	-0,28470	-0,67925
0:11	-0,63452	0,28470	-0,67925
0:17	-0,63452	0,28470	-0,67925
0:23	-0,63452	0,28470	-0,67925
0:29	-0,57107	0,21352	-0,67925
0:35	-0,57107	0,28470	-0,90566
0:41	-0,50761	-0,21352	-0,67925
0:47	-0,57107	-0,21352	-0,67925
0:53	-0,50761	0,21352	-0,98113
0:59	-0,50761	-0,21352	-0,98113
1:05	-0,50761	-0,14235	-0,67925
1:11	-0,57107	-0,14235	-0,67925
1:17	-0,50761	-0,14235	-0,60377
1:23	-0,12690	0,14235	-0,60377
1:29	-0,57107	-0,14235	-0,60377
1:35	-0,82487	0,14235	-0,60377
1:41	-0,57107	0,14235	-0,60377
1:47	-0,57107	-0,14235	-0,60377
1:53	-0,57107	-0,14235	-0,60377
1:59	-0,50761	-0,14235	-0,60377
2:05	-0,57107	-0,14235	-0,60377
2:11	-0,57107	-0,14235	-0,67925
2:17	-0,57107	-0,21352	-0,67925
2:23	-0,12690	-0,21352	-0,67925
2:29	-0,50761	-0,14235	-0,67925
2:35	0,50761	0,14235	-0,67925
2:41	-0,57107	-0,21352	-0,45283
2:47	-0,63452	-0,28470	-0,15094
2:53	-0,69797	0,28470	-0,07547
2:59	-0,82487	-0,42705	-0,07547
3:05	-0,95178	-0,35587	0,07547
3:11	-1,07870	0,28470	0,15094
3:17	-1,14210	-0,28470	0,15094
3:23	-1,26900	-0,42705	0,15094
3:29	-1,33250	-0,14235	0,15094
3:35	-1,45940	-0,42705	0,22642
3:41	-1,52280	0,35587	0,22642
3:47	-1,58630	0,49822	0,22642
3:53	-1,64970	-0,42705	0,22642
3:59	-1,58630	0,49822	0,30189
4:05	-1,64970	-0,14235	0,22642
4:11	-1,64970	0,49822	0,30189
4:17	-1,58630	0,49822	0,22642
4:23	-1,64970	-0,49822	0,22642
4:29	-1,64970	-0,35587	0,22642
4:35	-1,77660	-0,49822	0,22642
4:41	-1,77660	-0,35587	0,22642
4:47	-1,71320	-0,42705	0,22642
4:53	-1,64970	-0,49822	0,22642
4:59	-1,71320	-0,14235	0,22642
5:05	-1,71320	0,49822	0,22642

Time (hh:mm)	DEP-1 Calculated Field, (V/m)	DEP-2 Calculated Field, (V/m)	DEP-3 Calculated Field, (V/m)
5:11	-1,77660	-0,49822	0,22642
5:17	-1,77660	-0,14235	0,22642
5:23	-1,77660	-0,42705	0,22642
5:29	-1,84010	0,21352	0,15094
5:35	-1,84010	-0,42705	0,15094
5:41	-1,96700	-0,28470	0,15094
5:47	-1,90360	0,35587	0,15094
5:53	-1,96700	-0,42705	0,15094
5:59	-1,96700	-0,42705	0,15094
6:05	-2,03050	0,35587	0,15094
6:11	-2,03050	-0,42705	0,15094
6:17	-2,03050	0,42705	0,15094
6:23	-2,09390	-0,21352	0,15094
6:29	-2,03050	-0,35587	0,15094
6:35	-2,09390	0,21352	0,07547
6:41	-2,09390	0,21352	0,07547
6:47	-2,15740	-0,35587	0,07547
6:53	-2,09390	0,14235	0,07547
6:59	-2,15740	-0,42705	0,07547
7:05	-2,15740	-0,35587	0,07547
7:11	-2,22080	0,14235	0,07547
7:17	-2,15740	-0,42705	0,07547
7:23	-2,15740	-0,35587	0,07547
7:29	-2,15740	-0,42705	0,07547
7:35	-2,15740	0,35587	0,07547
7:41	-2,15740	-0,35587	0,07547
7:47	-2,15740	-0,28470	0,07547
7:53	-2,15740	0,35587	-0,07547
7:59	-1,90360	0,35587	-0,07547
8:05	-1,77660	0,14235	0,00000
8:11	-1,39590	-0,35587	0,00000
8:17	-1,07870	-0,14235	0,00000
8:23	1,14210	-0,35587	0,00000
8:29	1,52280	0,42705	-0,07547
8:35	0,88832	0,21352	0,00000
8:41	0,76142	0,21352	0,00000
8:47	-0,69797	0,14235	0,00000
8:53	-0,50761	0,64057	0,00000
8:59	-0,57107	-0,21352	0,00000
9:05	-0,31726	-0,78292	-0,07547
9:11	-0,31726	0,92527	-0,07547
9:17	0,38071	0,00000	0,00000
9:23	0,31726	-1,21000	-0,07547
9:29	0,31726	1,85050	-0,07547
9:35	-0,31726	1,85050	0,00000
9:41	-0,31726	-1,56580	0,00000
9:47	0,19036	-1,70820	0,00000
9:53	-0,38071	-1,70820	0,00000
9:59	0,31726	0,00000	0,00000
10:05	0,38071	-2,06410	0,00000
10:11	-0,31726	-2,13520	0,00000

Time (hh:mm)	DEP-1 Calculated Field, (V/m)	DEP-2 Calculated Field, (V/m)	DEP-3 Calculated Field, (V/m)
10:17	0,31726	-2,27760	0,07547
10:23	-0,50761	-2,41990	0,07547
10:29	-0,44416	-2,34880	0,07547
10:35	-0,31726	-2,41990	0,07547
10:41	-0,38071	-2,27760	0,07547
10:47	0,31726	-2,41990	0,07547
10:53	-0,31726	-2,41990	0,07547
10:59	-0,38071	-2,34880	0,07547
11:05	-0,31726	-2,41990	-0,07547
11:11	0,31726	-2,34880	0,07547
11:17	0,31726	-2,34880	0,07547
11:23	0,31726	-2,34880	0,07547
11:29	0,38071	-2,27760	0,07547
11:35	-0,31726	-2,27760	-0,07547
11:41	0,38071	-2,27760	0,07547
11:47	0,31726	-2,27760	0,07547
11:53	0,38071	-1,99290	0,07547
11:59	0,31726	-2,20640	0,00000
12:05	-0,31726	-2,13520	0,00000
12:11	0,31726	-1,92170	0,00000
12:17	-0,25381	-1,92170	0,00000
12:23	-0,25381	-1,85050	0,00000
12:29	0,31726	-1,85050	0,00000
12:35	-0,44416	-1,85050	0,07547
12:41	-0,31726	-1,85050	-0,07547
12:47	0,31726	-1,85050	-0,15094
12:53	0,31726	-1,85050	-0,15094
12:59	0,38071	0,00000	-0,15094
13:05	-0,31726	-1,85050	-0,22642
13:11	-0,31726	-1,85050	-0,22642
13:17	0,31726	-1,85050	-0,22642
13:23	-0,31726	0,00000	-0,22642
13:29	0,38071	-1,85050	-0,30189
13:35	0,31726	-1,85050	-0,30189
13:41	0,31726	-1,77940	-0,37736
13:47	-0,19036	-1,63700	-0,37736
13:53	0,44416	-1,49470	-0,45283
13:59	-0,25381	-1,42350	-0,52830
14:05	-0,25381	-1,21000	-0,52830
14:11	-0,31726	0,00000	-0,52830
14:17	0,25381	-0,92527	-0,60377
14:23	-0,31726	-0,78292	-0,60377
14:29	0,31726	-0,64057	-0,67925
14:35	0,25381	-0,49822	-0,67925
14:41	0,31726	-0,42705	-0,67925
14:47	0,31726	-0,35587	-0,67925
14:53	0,25381	-0,28470	-0,67925
14:59	0,31726	-0,28470	-0,67925
15:05	0,44416	-0,21352	-0,60377
15:11	0,31726	-0,21352	-0,60377
15:17	-0,25381	0,21352	-0,52830
15:23	0,25381	-0,28470	-0,52830
15:29	-0,38071	-0,42705	-0,45283

Time (hh:mm)	DEP-1 Calculated Field, (V/m)	DEP-2 Calculated Field, (V/m)	DEP-3 Calculated Field, (V/m)
15:35	-0,25381	0,42705	-0,45283
15:41	-0,25381	0,49822	-0,37736
15:47	0,25381	-0,56940	-0,37736
15:53	0,31726	-0,64057	-0,37736
15:59	-0,25381	-0,71174	-0,30189
16:05	0,31726	0,92527	-0,30189
16:11	-0,19036	-0,71174	-0,30189
16:17	-0,19036	-0,85409	-0,30189
16:23	-0,31726	-0,85409	-0,30189
16:29	0,38071	-0,85409	-0,30189
16:35	0,31726	-0,92527	-0,30189
16:41	-0,31726	-0,92527	-0,30189
16:47	0,25381	-0,92527	-0,30189
16:53	-0,25381	-0,99644	-0,30189
16:59	0,25381	-1,21000	-0,30189
17:05	0,38071	1,70820	-0,30189
17:11	0,25381	-1,28110	-0,30189
17:17	-0,25381	-1,35230	-0,30189
17:23	0,25381	-1,35230	-0,37736
17:29	0,31726	-1,42350	-0,37736
17:35	-0,31726	-1,49470	-0,30189
17:41	0,19036	-1,49470	-0,37736
17:47	0,31726	-1,56580	-0,37736
17:53	-0,25381	1,56580	-0,45283
17:59	0,31726	-1,49470	-0,45283
18:05	-0,31726	-1,63700	-0,45283
18:11	-0,38071	-1,70820	-0,45283
18:17	0,38071	-1,70820	-0,45283
18:23	0,38071	-1,70820	-0,45283
18:29	-0,25381	-1,70820	-0,52830
18:35	-0,31726	1,77940	-0,60377
18:41	0,25381	-1,77940	-0,60377
18:47	0,38071	-1,63700	-0,60377
18:53	0,38071	-1,85050	-0,60377
18:59	-0,38071	0,00000	-1,50940
19:05	0,31726	-1,77940	-1,43400
19:11	0,31726	-1,77940	-1,43400
19:17	0,31726	-1,77940	-1,43400
19:23	0,25381	-1,77940	-1,43400
19:29	0,31726	-1,70820	-1,43400
19:35	-0,31726	-1,63700	-1,43400
19:41	0,31726	-1,56580	-1,43400
19:47	-0,25381	-1,42350	-1,43400
19:53	-0,38071	-1,35230	-1,35850
19:59	0,25381	1,06760	-1,43400
20:05	0,38071	0,07117	-1,35850
20:11	0,44416	-0,35587	-0,67925
20:17	-0,38071	0,85409	-0,60377
20:23	-0,38071	-0,64057	-0,75472
20:29	0,38071	-0,07117	-0,75472
20:35	-0,44416	-0,28470	-0,75472
20:41	-0,44416	-0,78292	-0,75472
20:47	0,38071	0,21352	-0,83019

Time (hh:mm)	DEP-1 Calculated Field, (V/m)	DEP-2 Calculated Field, (V/m)	DEP-3 Calculated Field, (V/m)
20:53	0,44416	0,14235	-0,90566
20:59	0,38071	-0,21352	-0,90566
21:05	0,38071	-0,28470	-0,90566
21:11	0,31726	0,21352	-0,90566
21:17	0,31726	-0,35587	-1,05660
21:23	-0,38071	0,14235	-1,43400
21:29	-0,38071	0,07117	-1,35850
21:35	-0,57107	-0,07117	-1,35850
21:41	1,14210	-0,14235	-1,28300
21:47	1,20560	-0,14235	-1,20750
21:53	-1,20560	-0,14235	-1,13210
21:59	-1,33250	-0,14235	-0,98113
22:05	-1,52280	-0,14235	-0,98113
22:11	-1,58630	0,14235	-0,98113
22:17	-1,58630	-0,14235	-0,98113
22:23	-1,58630	-0,14235	-0,98113

Time (hh:mm)	DEP-1 Calculated Field, (V/m)	DEP-2 Calculated Field, (V/m)	DEP-3 Calculated Field, (V/m)
22:29	-1,52280	0,21352	-0,90566
22:35	-1,45940	-0,21352	-0,98113
22:41	1,33250	-0,21352	-0,90566
22:47	-1,45940	-0,21352	-0,90566
22:53	-1,39590	-0,21352	-0,90566
22:59	-1,26900	-0,28470	-0,83019
23:05	-1,26900	-0,28470	-0,75472
23:11	-1,20560	-0,21352	-0,75472
23:17	-1,20560	-0,21352	-0,75472
23:23	-1,14210	-0,21352	-0,67925
23:29	-1,07870	0,28470	-0,75472
23:35	-1,01520	-0,21352	-0,67925
23:41	-1,01520	-0,21352	-0,67925
23:47	-0,95178	0,21352	-0,67925
23:53	-0,88832	-0,21352	-0,67925
23:59	-0,88832	0,21352	-0,67925

Annex 9. Information from DEP-sensors for 22/03/00

Time (hh:mm)	DEP-1 Calculated Field, (V/m)	DEP-2 Calculated Field, (V/m)	DEP-3 Calculated Field, (V/m)
0:05	-0,76142	-0,21352	-0,67925
0:11	-0,69797	-0,21352	-0,67925
0:17	-0,76142	-0,21352	-0,67925
0:23	-0,63452	-0,21352	-0,67925
0:29	-0,57107	-0,21352	-0,67925
0:35	-0,57107	0,21352	-0,67925
0:41	-0,57107	-0,14235	-0,67925
0:47	-0,57107	-0,14235	-0,67925
0:53	-0,69797	-0,14235	-0,67925
0:59	-0,50761	-0,14235	-0,67925
1:05	-0,76142	0,14235	-0,60377
1:11	-0,50761	-0,14235	-0,60377
1:17	-0,50761	0,14235	-0,60377
1:23	-0,50761	-0,14235	-0,60377
1:29	-0,50761	-0,14235	-0,60377
1:35	-0,82487	-0,14235	-0,60377
1:41	0,82487	-0,14235	-0,60377
1:47	-0,57107	0,14235	-0,60377
1:53	-0,57107	-0,14235	-0,60377
1:59	-0,44416	0,14235	-0,60377
2:05	-0,50761	-0,14235	-0,60377
2:11	-0,12690	0,21352	-0,60377
2:17	-0,57107	-0,14235	-0,67925
2:23	-0,12690	-0,14235	-0,67925
2:29	0,82487	-0,21352	-0,67925
2:35	-0,57107	-0,14235	-0,67925
2:41	-0,76142	-0,21352	-0,60377
2:47	-0,63452	-0,14235	-0,15094
2:53	-0,63452	0,28470	-0,07547
2:59	-0,82487	0,21352	-0,07547
3:05	-0,88832	-0,28470	-0,07547
3:11	-1,01520	-0,21352	0,07547
3:17	-1,14210	0,28470	0,15094
3:23	-1,26900	-0,28470	0,15094
3:29	-1,39590	0,28470	0,15094
3:35	-1,45940	-0,28470	0,15094
3:41	-1,45940	-0,28470	0,15094
3:47	-1,58630	0,21352	0,22642
3:53	-1,58630	-0,35587	0,22642
3:59	-1,58630	-0,35587	0,22642
4:05	-1,64970	-0,28470	0,15094
4:11	-1,71320	0,35587	0,22642
4:17	-1,64970	0,35587	0,22642
4:23	-1,64970	-0,35587	0,22642
4:29	-1,77660	-0,14235	0,22642
4:35	-1,71320	-0,42705	0,22642
4:41	-1,64970	-0,42705	0,30189
4:47	-1,64970	-0,35587	0,30189
4:53	-1,71320	-0,42705	0,30189
4:59	-1,71320	-0,35587	0,30189
5:05	-1,77660	-0,35587	0,30189

Time (hh:mm)	DEP-1 Calculated Field, (V/m)	DEP-2 Calculated Field, (V/m)	DEP-3 Calculated Field, (V/m)
5:11	-1,84010	0,28470	0,22642
5:17	-1,90360	-0,35587	0,22642
5:23	-1,84010	-0,35587	0,22642
5:29	-1,84010	0,14235	0,22642
5:35	-1,90360	0,28470	0,22642
5:41	-1,90360	-0,14235	0,22642
5:47	-1,90360	-0,42705	0,22642
5:53	-1,90360	0,35587	0,22642
5:59	-1,96700	-0,35587	0,15094
6:05	-1,96700	0,35587	0,15094
6:11	-2,03050	-0,35587	0,15094
6:17	-2,03050	0,35587	0,15094
6:23	-2,03050	0,35587	0,15094
6:29	-2,03050	-0,35587	0,15094
6:35	-2,09390	0,28470	0,15094
6:41	-2,09390	-0,28470	0,15094
6:47	-2,15740	-0,35587	0,15094
6:53	-2,15740	0,21352	0,15094
6:59	-2,15740	-0,35587	0,15094
7:05	-2,09390	0,14235	0,15094
7:11	-2,15740	-0,28470	0,07547
7:17	-2,15740	0,28470	0,07547
7:23	-2,09390	0,07117	0,07547
7:29	-2,15740	-0,14235	0,07547
7:35	-2,09390	-0,28470	0,07547
7:41	-2,09390	-0,21352	0,07547
7:47	-2,03050	0,21352	-0,07547
7:53	-2,03050	0,14235	0,07547
7:59	-1,84010	-0,21352	0,07547
8:05	-1,71320	-0,07117	-0,07547
8:11	-1,39590	-0,21352	0,07547
8:17	-0,95178	0,21352	-0,07547
8:23	1,01520	-0,14235	-0,07547
8:29	-1,01520	0,07117	0,07547
8:35	-0,88832	-0,14235	0,07547
8:41	-0,76142	-0,14235	0,07547
8:47	0,63452	0,85409	0,07547
8:53	0,50761	0,42705	0,07547
8:59	-0,31726	0,49822	0,07547
9:05	0,25381	-0,92527	0,07547
9:11	0,31726	-0,99644	-0,07547
9:17	-0,25381	-1,13880	-0,07547
9:23	-0,25381	1,77940	0,00000
9:29	-0,38071	1,92170	0,00000
9:35	-0,25381	-2,06410	0,07547
9:41	0,31726	-1,63700	-0,07547
9:47	0,25381	-1,70820	-0,07547
9:53	-0,31726	-1,77940	0,07547
9:59	-0,31726	-1,85050	0,07547
10:05	-0,31726	-2,13520	0,07547
10:11	0,31726	-2,27760	0,07547

Time (hh:mm)	DEP-1 Calculated Field, (V/m)	DEP-2 Calculated Field, (V/m)	DEP-3 Calculated Field, (V/m)
10:17	-0,31726	-2,27760	0,07547
10:23	0,38071	-2,34880	0,15094
10:29	0,25381	-2,41990	0,07547
10:35	0,31726	-2,41990	0,07547
10:41	0,38071	-2,41990	0,07547
10:47	-0,38071	-2,34880	0,07547
10:53	-0,38071	-2,41990	0,07547
10:59	-0,31726	-2,41990	0,07547
11:05	-0,38071	-2,41990	0,07547
11:11	-0,31726	-2,41990	0,07547
11:17	0,31726	-2,41990	0,07547
11:23	0,44416	-2,34880	0,07547
11:29	0,38071	-2,34880	0,07547
11:35	0,38071	-2,34880	0,07547
11:41	0,25381	-2,34880	0,07547
11:47	-0,31726	-2,27760	-0,07547
11:53	0,25381	-2,27760	-0,07547
11:59	0,38071	-2,27760	0,00000
12:05	-0,38071	-2,20640	0,00000
12:11	0,31726	-2,20640	0,00000
12:17	0,31726	-1,92170	-0,07547
12:23	-0,38071	-1,92170	-0,07547
12:29	-0,31726	-1,92170	-0,07547
12:35	-0,38071	-1,85050	-0,15094
12:41	-0,25381	-1,85050	-0,15094
12:47	0,25381	-1,85050	-0,15094
12:53	0,31726	-1,85050	-0,15094
12:59	0,25381	-1,85050	-0,22642
13:05	-0,38071	-1,92170	-0,22642
13:11	0,31726	-1,85050	-0,22642
13:17	0,31726	-1,92170	-0,30189
13:23	-0,31726	-1,92170	-0,30189
13:29	0,25381	0,00000	-0,37736
13:35	0,31726	-1,85050	-0,37736
13:41	-0,31726	-1,77940	-0,37736
13:47	0,31726	-1,70820	-0,45283
13:53	0,31726	-1,56580	-0,45283
13:59	-0,38071	-1,42350	-0,52830
14:05	0,31726	-1,35230	-0,52830
14:11	-0,25381	-0,99644	-0,60377
14:17	-0,19036	-0,92527	-0,60377
14:23	0,25381	-0,85409	-0,60377
14:29	0,38071	-0,71174	-0,67925
14:35	-0,25381	-0,56940	-0,67925
14:41	-0,31726	-0,49822	-0,75472
14:47	-0,31726	-0,42705	-0,67925
14:53	0,38071	-0,35587	-0,75472
14:59	-0,38071	-0,28470	-0,67925
15:05	0,31726	-0,21352	-0,67925
15:11	-0,31726	-0,21352	-0,67925
15:17	-0,31726	-0,21352	-0,60377
15:23	0,31726	0,28470	-0,52830
15:29	-0,38071	0,35587	-0,52830

Time (hh:mm)	DEP-1 Calculated Field, (V/m)	DEP-2 Calculated Field, (V/m)	DEP-3 Calculated Field, (V/m)
15:35	-0,31726	-0,42705	-0,45283
15:41	-0,38071	-0,49822	-0,45283
15:47	0,31726	-0,56940	-0,37736
15:53	0,31726	-0,64057	-0,37736
15:59	0,25381	-0,64057	-0,37736
16:05	-0,31726	-0,71174	-0,37736
16:11	0,38071	-0,78292	-0,37736
16:17	0,31726	-0,78292	-0,37736
16:23	0,25381	-0,85409	-0,37736
16:29	0,38071	-0,85409	-0,37736
16:35	-0,31726	-0,92527	-0,37736
16:41	-0,25381	-0,99644	-0,37736
16:47	-0,38071	-1,06760	-0,37736
16:53	0,31726	-1,13880	-0,37736
16:59	-0,31726	-1,13880	-0,37736
17:05	-0,31726	-1,21000	-0,45283
17:11	-0,31726	-1,13880	-0,52830
17:17	-0,25381	-1,21000	-0,60377
17:23	-0,25381	-1,28110	-0,67925
17:29	0,25381	-1,35230	-0,75472
17:35	0,44416	-1,42350	-0,67925
17:41	-0,50761	-1,49470	-0,75472
17:47	-0,50761	1,49470	-0,75472
17:53	0,31726	-1,56580	-0,75472
17:59	-0,44416	-1,56580	-0,75472
18:05	-0,44416	-1,63700	-0,75472
18:11	0,38071	-1,70820	-0,75472
18:17	-0,31726	-1,77940	-0,75472
18:23	-0,44416	-1,77940	-0,75472
18:29	-0,44416	-1,77940	-0,83019
18:35	-0,44416	-1,85050	-0,83019
18:41	0,50761	-2,06410	-0,75472
18:47	-0,31726	-1,85050	-0,75472
18:53	-0,31726	-1,92170	-0,83019
18:59	-0,38071	-2,13520	-1,50940
19:05	0,31726	-2,20640	-1,43400
19:11	-0,44416	-2,13520	-1,43400
19:17	0,31726	-1,85050	-1,43400
19:23	-0,38071	-1,92170	-1,43400
19:29	-0,31726	-2,13520	-1,43400
19:35	-0,50761	-2,34880	-1,50940
19:41	-0,44416	-2,34880	-1,50940
19:47	-0,31726	-1,92170	-1,43400
19:53	0,38071	-1,92170	-1,43400
19:59	0,44416	-1,49470	-1,43400
20:05	-0,31726	-0,78292	-1,35850
20:11	0,31726	-0,99644	-0,83019
20:17	-0,38071	-1,06760	-0,90566
20:23	0,44416	-1,13880	-1,13210
20:29	-0,50761	-1,21000	-1,20750
20:35	-0,25381	0,28470	-1,28300
20:41	-0,31726	0,21352	-1,35850
20:47	-0,31726	-0,42705	-1,43400

Time (hh:mm)	DEP-1 Calculated Field, (V/m)	DEP-2 Calculated Field, (V/m)	DEP-3 Calculated Field, (V/m)
20:53	-0,38071	1,21000	-1,43400
20:59	0,31726	-0,35587	-1,50940
21:05	0,31726	-0,42705	-1,58490
21:11	0,38071	-0,42705	-1,66040
21:17	0,25381	0,56940	-1,28300
21:23	0,25381	0,42705	-1,66040
21:29	-0,44416	-0,28470	-1,58490
21:35	1,33250	0,28470	-1,43400
21:41	1,45940	-0,21352	-1,35850
21:47	1,52280	-0,21352	-1,35850
21:53	-1,64970	0,14235	-1,28300
21:59	-1,77660	-0,21352	-1,20750
22:05	-1,71320	0,21352	-1,20750
22:11	-1,84010	-0,21352	-1,20750
22:17	-1,84010	0,21352	-1,13210
22:23	-1,77660	-0,28470	-0,98113

Time (hh:mm)	DEP-1 Calculated Field, (V/m)	DEP-2 Calculated Field, (V/m)	DEP-3 Calculated Field, (V/m)
22:29	-1,71320	-0,21352	-0,98113
22:35	-1,64970	-0,21352	-0,98113
22:41	-1,58630	-0,21352	-0,98113
22:47	-1,58630	-0,21352	-0,98113
22:53	-1,45940	-0,14235	-0,90566
22:59	-1,45940	0,07117	-0,90566
23:05	-1,33250	-0,21352	-0,90566
23:11	-1,26900	0,21352	-0,83019
23:17	-1,26900	-0,14235	-0,75472
23:23	-1,20560	-0,07117	-0,75472
23:29	-1,07870	-0,07117	-0,75472
23:35	-1,07870	-0,14235	-0,75472
23:41	-0,95178	0,14235	-0,67925
23:47	-0,95178	-0,07117	-0,67925
23:53	-0,88832	-0,07117	-0,67925
23:59	-0,82487	0,21352	-0,67925

Annex 10. Information from DEP-sensors for 23/03/00

Time (hh:mm)	DEP-1 Calculated Field, (V/m)	DEP-2 Calculated Field, (V/m)	DEP-3 Calculated Field, (V/m)
0:05	-0,76142	0,14235	-0,60377
0:11	-0,69797	0,21352	-0,67925
0:17	-0,63452	-0,21352	-0,67925
0:23	-0,63452	0,35587	-0,60377
0:29	-0,57107	0,92527	-0,60377
0:35	-0,57107	0,49822	-0,60377
0:41	-0,50761	-0,56940	-0,60377
0:47	-0,57107	0,42705	-0,60377
0:53	-0,50761	0,56940	-0,60377
0:59	-0,57107	-0,56940	-0,60377
1:05	-0,57107	-0,49822	-0,60377
1:11	-0,50761	-0,56940	-0,60377
1:17	-0,06345	0,85409	-0,60377
1:23	-0,57107	0,28470	-0,60377
1:29	-0,57107	-0,49822	-0,60377
1:35	-0,57107	0,42705	-0,60377
1:41	-0,57107	0,42705	-0,60377
1:47	-0,82487	0,35587	-0,60377
1:53	-0,88832	-0,35587	-0,60377
1:59	-0,63452	0,14235	-0,60377
2:05	-0,57107	-0,21352	-0,60377
2:11	-0,88832	-0,35587	-0,67925
2:17	-0,57107	1,21000	-0,67925
2:23	-0,82487	1,70820	-0,67925
2:29	-0,57107	1,35230	-0,67925
2:35	-0,82487	-0,78292	-0,67925
2:41	-0,57107	0,42705	-0,45283
2:47	-0,63452	0,35587	-0,22642
2:53	-0,63452	-0,28470	-0,22642
2:59	-0,76142	0,42705	-0,22642
3:05	-0,88832	-0,21352	-0,22642
3:11	-0,95178	0,21352	-0,15094
3:17	-1,14210	-0,14235	-0,15094
3:23	-1,20560	-0,07117	-0,15094
3:29	-1,26900	-0,07117	-0,15094
3:35	-1,33250	-0,14235	-0,07547
3:41	-1,45940	-0,07117	-0,07547
3:47	-1,52280	-0,14235	0,07547
3:53	-1,52280	-0,14235	0,00000
3:59	-1,52280	0,07117	0,07547
4:05	-1,39590	0,00000	0,07547
4:11	-1,45940	0,07117	0,15094
4:17	-1,45940	0,14235	0,15094
4:23	-1,45940	0,14235	0,15094
4:29	-1,64970	0,07117	0,15094
4:35	-1,45940	-0,14235	0,15094
4:41	-1,71320	-0,14235	0,15094
4:47	-1,58630	-0,14235	0,15094
4:53	-1,64970	0,14235	0,15094
4:59	-1,77660	0,14235	0,07547
5:05	-1,71320	0,07117	-0,07547

Time (hh:mm)	DEP-1 Calculated Field, (V/m)	DEP-2 Calculated Field, (V/m)	DEP-3 Calculated Field, (V/m)
5:11	-1,71320	0,14235	0,07547
5:17	-1,77660	-0,14235	-0,07547
5:23	-1,77660	0,14235	0,07547
5:29	-1,77660	-0,14235	0,07547
5:35	-1,84010	-0,21352	0,07547
5:41	-1,77660	-0,21352	0,07547
5:47	-1,77660	0,14235	0,15094
5:53	-1,84010	-0,35587	0,15094
5:59	-1,90360	0,42705	0,15094
6:05	-1,90360	0,42705	0,15094
6:11	-1,90360	-0,42705	0,15094
6:17	-2,03050	0,28470	0,15094
6:23	-1,96700	0,35587	0,15094
6:29	-2,03050	0,28470	0,07547
6:35	-2,03050	0,14235	0,07547
6:41	-2,03050	0,28470	-0,07547
6:47	-2,03050	0,28470	-0,07547
6:53	-2,03050	0,07117	-0,07547
6:59	-2,03050	-0,28470	0,07547
7:05	-2,03050	0,28470	0,07547
7:11	-2,03050	-0,28470	0,07547
7:17	-2,03050	-0,28470	0,07547
7:23	-2,03050	-0,35587	0,07547
7:29	-2,03050	-0,35587	0,07547
7:35	-1,96700	0,35587	0,07547
7:41	-1,90360	-0,35587	0,07547
7:47	-1,90360	0,35587	0,07547
7:53	-1,77660	0,35587	0,07547
7:59	-1,45940	0,35587	0,07547
8:05	-1,39590	-0,35587	0,07547
8:11	-1,26900	-0,35587	0,00000
8:17	-0,88832	-0,35587	-0,07547
8:23	-1,58630	-0,35587	-0,07547
8:29	0,95178	0,28470	-0,07547
8:35	-0,95178	-0,28470	-0,07547
8:41	0,82487	0,21352	-0,07547
8:47	0,63452	-0,64057	-0,07547
8:53	-0,57107	0,85409	-0,07547
8:59	0,50761	0,78292	-0,07547
9:05	-0,50761	-0,78292	-0,07547
9:11	-0,31726	1,06760	-0,07547
9:17	-0,25381	1,06760	-0,07547
9:23	0,31726	1,13880	-0,07547
9:29	-0,31726	1,35230	-0,07547
9:35	-0,19036	-1,49470	-0,15094
9:41	-0,25381	-1,63700	-0,07547
9:47	-0,31726	-1,70820	-0,15094
9:53	0,25381	-1,85050	-0,07547
9:59	-0,38071	-2,06410	-0,07547
10:05	-0,31726	-2,20640	-0,07547
10:11	-0,38071	-2,27760	-0,07547

Time (hh:mm)	DEP-1 Calculated Field, (V/m)	DEP-2 Calculated Field, (V/m)	DEP-3 Calculated Field, (V/m)
10:17	-0,25381	-2,41990	-0,15094
10:23	0,31726	-2,49110	-0,15094
10:29	0,25381	-2,49110	-0,15094
10:35	0,31726	-2,56230	-0,15094
10:41	0,31726	-2,49110	-0,22642
10:47	0,38071	-2,49110	-0,22642
10:53	0,38071	-2,41990	-0,15094
10:59	-0,31726	-2,41990	-0,22642
11:05	0,31726	-2,56230	-0,22642
11:11	0,31726	-2,49110	-0,22642
11:17	-0,38071	-2,49110	-0,22642
11:23	-0,31726	-2,49110	-0,22642
11:29	-0,44416	-2,41990	-0,15094
11:35	-0,44416	-2,49110	-0,22642
11:41	-0,31726	-2,41990	-0,22642
11:47	-0,38071	-2,41990	-0,22642
11:53	0,38071	-2,34880	-0,22642
11:59	-0,38071	-2,34880	-0,22642
12:05	0,44416	-2,27760	-0,22642
12:11	-0,38071	-2,27760	-0,22642
12:17	-0,38071	-2,20640	-0,30189
12:23	0,38071	-2,20640	-0,22642
12:29	-0,44416	-2,13520	-0,30189
12:35	0,44416	0,00000	-0,30189
12:41	0,38071	-1,92170	-0,30189
12:47	-0,31726	-1,92170	-0,37736
12:53	-0,38071	0,00000	-0,37736
12:59	-0,31726	-2,06410	-0,37736
13:05	-0,31726	-2,06410	-0,45283
13:11	-0,38071	-1,92170	-0,45283
13:17	-0,38071	-2,13520	-0,45283
13:23	0,31726	-1,92170	-0,45283
13:29	0,38071	-1,92170	-0,52830
13:35	-0,38071	-1,92170	-0,52830
13:41	-0,38071	-1,85050	-0,60377
13:47	-0,38071	-1,77940	-0,67925
13:53	-0,31726	-1,56580	-0,67925
13:59	-0,31726	-1,42350	-0,67925
14:05	0,38071	-1,28110	-0,67925
14:11	0,38071	-1,06760	-0,75472
14:17	0,44416	-0,92527	-0,75472
14:23	-0,31726	-0,85409	-0,75472
14:29	-0,31726	-0,78292	-0,83019
14:35	-0,38071	-0,64057	-0,83019
14:41	-0,38071	-0,49822	-0,83019
14:47	0,38071	-0,49822	-0,83019
14:53	0,38071	-0,35587	-0,83019

Time (hh:mm)	DEP-1 Calculated Field, (V/m)	DEP-2 Calculated Field, (V/m)	DEP-3 Calculated Field, (V/m)
14:59	-0,31726	-0,28470	-0,83019
15:05	-0,31726	-0,28470	-0,75472
15:11	-0,25381	-0,21352	-0,67925
15:17	-0,31726	-0,28470	-0,60377
15:23	0,31726	-0,28470	-0,52830
15:29	-0,25381	-0,28470	-0,37736
15:35	0,31726	-0,35587	-0,30189
15:41	-0,19036	-0,42705	-0,30189
15:47	0,38071	0,42705	-0,30189
15:53	-0,31726	-0,49822	-0,22642
15:59	0,31726	-0,56940	-0,22642
16:05	-0,25381	-0,64057	-0,22642
16:11	-0,25381	-0,64057	-0,22642
16:17	0,31726	-0,71174	-0,22642
16:23	0,31726	-0,78292	-0,30189
16:29	0,31726	-0,78292	-0,30189
16:35	-0,31726	-0,78292	-0,30189
16:41	-0,31726	-0,85409	-0,30189
16:47	-0,31726	0,85409	-0,30189
16:53	-0,38071	-0,99644	-0,30189
16:59	0,31726	0,92527	-0,30189
17:05	-0,31726	1,70820	-0,30189
17:11	0,31726	-1,13880	-0,30189
17:17	-0,31726	-1,21000	-0,45283
17:23	-0,31726	-1,21000	-0,37736
17:29	0,31726	-1,28110	-0,30189
17:35	-0,25381	-1,28110	-0,37736
17:41	-0,31726	-1,42350	-0,45283
17:47	0,25381	-1,28110	-0,52830
17:53	0,31726	-1,42350	-0,45283
17:59	-0,31726	-1,42350	-0,45283
18:05	-0,31726	-1,42350	-0,45283
18:11	-0,31726	-1,42350	-0,45283
18:17	-0,25381	-1,77940	-0,90566
18:23	0,38071	-1,77940	-0,90566
18:29	0,31726	-1,85050	-0,90566
18:35	-0,38071	-1,63700	-0,75472
18:41	0,38071	0,71174	-0,75472
18:47	0,31726	-2,13520	-1,58490
18:53	4,31470	1,70820	-0,60377
18:59	-1,33250	1,77940	-1,73580
19:05	1,77660	1,56580	-1,81130

Annex 11. Information from DEP-sensors for 06/04/00

Time (hh:mm)	DEP-1 Calculated Field, (V/m)	DEP-2 Calculated Field, (V/m)	DEP-3 Calculated Field, (V/m)
0:02	-0,63452	-0,67925	-1,77940
0:08	-0,57107	-0,67925	-1,77940
0:14	0,50761	-0,67925	-1,49470
0:20	-0,50761	-0,67925	1,35230
0:26	-0,44416	-0,60377	-1,49470
0:32	-0,44416	-0,60377	1,35230
0:38	-0,44416	-0,60377	-1,28110
0:44	-0,38071	-0,60377	-1,49470
0:50	-0,38071	-0,60377	-1,21000
0:56	-0,38071	-0,60377	-1,49470
1:02	-0,44416	-0,60377	1,21000
1:08	-0,50761	-0,60377	-1,13880
1:14	0,76142	-0,60377	-1,21000
1:20	-0,57107	-0,60377	1,06760
1:26	-0,63452	-0,60377	1,13880
1:32	-0,88832	-0,60377	0,92527
1:38	-0,63452	-0,60377	-1,49470
1:44	-0,69797	-0,60377	-1,28110
1:50	-0,76142	-0,60377	1,13880
1:56	-0,76142	-0,60377	-1,21000
2:02	0,76142	-0,60377	-1,49470
2:08	0,76142	-0,60377	1,21000
2:14	-0,76142	-0,67925	-1,13880
2:20	-0,69797	-0,67925	-1,49470
2:26	0,82487	-0,67925	1,28110
2:32	-0,44416	-0,67925	-1,21000
2:38	-0,44416	-0,67925	1,28110
2:44	-0,44416	-0,67925	1,35230
2:50	-0,50761	-0,90566	1,06760
2:56	-0,57107	-0,37736	-0,99644
3:02	-0,63452	-0,22642	-0,92527
3:08	-0,63452	-0,15094	0,92527
3:14	-0,76142	-0,15094	-0,78292
3:20	-0,95178	-0,07547	-0,71174
3:26	-1,07870	-0,07547	-0,78292
3:32	-1,14210	-0,07547	-0,71174
3:38	-1,26900	-0,15094	-0,71174
3:44	-1,26900	0,07547	-0,71174
3:50	-1,33250	-0,07547	-0,49822
3:56	-1,39590	0,15094	-0,64057
4:02	-1,33250	0,15094	-0,21352
4:08	-1,33250	0,15094	-0,14235
4:14	-1,39590	-0,15094	0,00000
4:20	-1,39590	-0,15094	-0,78292
4:26	-1,45940	-0,15094	-0,71174
4:32	-1,39590	-0,15094	-0,78292
4:38	-1,45940	-0,15094	-0,71174
4:44	-1,45940	-0,15094	-0,71174
4:50	-1,58630	-0,15094	-0,71174

Time (hh:mm)	DEP-1 Calculated Field, (V/m)	DEP-2 Calculated Field, (V/m)	DEP-3 Calculated Field, (V/m)
4:56	-1,58630	-0,15094	-0,49822
5:02	-1,52280	-0,15094	-0,64057
5:08	-1,58630	-0,15094	-0,21352
5:14	-1,64970	-0,15094	-0,14235
5:20	-1,58630	-0,15094	-0,14235
5:26	-1,71320	-0,15094	0,14235
5:32	-1,77660	-0,15094	0,14235
5:38	-1,77660	-0,15094	0,21352
5:44	-1,71320	-0,15094	-0,28470
5:50	-1,84010	-0,15094	0,14235
5:56	-1,71320	-0,15094	0,28470
6:02	-1,84010	-0,15094	0,21352
6:08	-1,71320	-0,15094	0,28470
6:14	-1,71320	-0,15094	0,56940
6:20	-1,90360	-0,15094	-0,21352
6:26	-1,77660	-0,15094	-0,78292
6:32	-1,96700	-0,15094	-0,71174
6:38	-1,90360	-0,15094	-0,78292
6:44	-1,96700	-0,22642	-0,71174
6:50	-1,96700	-0,22642	-0,71174
6:56	-1,96700	-0,22642	-0,71174
7:02	-1,90360	-0,22642	-0,49822
7:08	-1,96700	-0,22642	-0,64057
7:14	-1,96700	-0,22642	-0,21352
7:20	-1,96700	-0,22642	-0,14235
7:26	-1,96700	-0,30189	-0,14235
7:32	-1,96700	-0,30189	0,14235
7:38	-1,90360	-0,30189	0,14235
7:44	-1,84010	-0,37736	0,14235
7:50	-1,96700	-0,37736	-0,28470
7:56	-1,64970	-0,37736	0,07117
8:02	-1,90360	-0,37736	0,21352
8:08	-1,71320	-0,45283	0,21352
8:14	-1,33250	-0,45283	0,07117
8:20	-1,33250	-0,45283	0,07117
8:26	-1,14210	-0,45283	0,14235
8:32	-1,07870	-0,37736	-0,28470
8:38	-0,12690	-0,45283	-0,14235
8:44	-0,21352	-0,45283	0,07117
8:50	-0,14235	-0,45283	0,14235
8:56	-0,14235	-0,45283	-0,21352
9:02	0,14235	-0,45283	0,35587
9:08	0,14235	-0,45283	-0,35587
9:14	0,21352	-0,45283	-0,49822
9:20	-0,28470	-0,45283	0,35587
9:26	0,14235	-0,45283	1,06760
9:32	0,28470	-0,45283	-2,06410
9:38	0,21352	-0,45283	2,06410
9:44	0,28470	-0,45283	-2,20640

Time (hh:mm)	DEP-1 Calculated Field, (V/m)	DEP-2 Calculated Field, (V/m)	DEP-3 Calculated Field, (V/m)
9:50	0,56940	-0,45283	3,55870
9:56	-0,15094	-0,45283	-2,41990
10:02	-0,15094	-0,37736	-2,49110
10:08	-0,15094	-0,37736	-2,49110
10:14	-0,15094	-0,37736	-2,56230
10:20	-0,15094	-0,37736	-2,49110
10:26	-0,15094	-0,30189	-2,49110
10:32	-0,15094	-0,30189	-2,56230
10:38	-0,15094	-0,37736	-2,49110
10:44	-0,15094	-0,37736	-2,56230
10:50	-0,15094	-0,30189	-2,49110
10:56	-0,15094	-0,37736	-2,49110
11:02	-0,22642	-0,37736	-2,49110
11:08	-0,22642	-0,37736	-2,49110
11:14	-0,22642	-0,37736	-2,49110
11:20	-0,22642	-0,37736	-2,49110
11:26	-0,22642	-0,37736	-2,41990
11:32	-0,07547	-0,45283	-2,41990
11:38	-0,07547	-0,37736	-2,34880
11:44	-0,15094	-0,37736	-2,34880
11:50	0,07547	-0,37736	-2,34880
11:56	-0,07547	-0,52830	-2,27760
12:02	0,15094	-0,52830	-2,20640
12:08	0,15094	-0,52830	-2,20640
12:14	0,15094	-0,60377	-2,20640
12:20	-0,15094	-0,60377	-2,13520
12:26	-0,21352	-0,60377	-2,13520
12:32	-0,14235	-0,52830	-1,85050
12:38	-0,14235	-0,52830	-1,85050
12:44	0,14235	-0,52830	-1,85050
12:50	0,14235	-0,52830	-1,85050
12:56	0,21352	-0,52830	-1,85050
13:02	-0,28470	-0,52830	-1,85050
13:08	0,14235	-0,52830	-1,85050
13:14	0,28470	-0,52830	-1,85050
13:20	0,21352	-0,52830	-1,85050
13:26	0,28470	-0,60377	-1,85050
13:32	0,56940	-0,60377	-1,77940
13:38	-0,15094	-0,67925	-1,77940
13:44	-0,15094	-0,67925	-1,63700
13:50	-0,15094	-0,67925	-1,42350
13:56	-0,15094	-0,75472	-1,28110
14:02	-0,15094	-0,83019	-1,06760
14:08	-0,15094	-0,83019	-0,92527
14:14	-0,15094	-0,90566	-0,85409
14:20	-0,15094	-0,90566	-0,71174
14:26	-0,15094	-0,90566	-0,56940
14:32	-0,15094	-0,98113	-0,42705
14:38	-0,15094	-1,05660	-0,28470
14:44	-0,22642	-0,90566	-0,28470
14:50	-0,22642	-0,90566	-0,28470

Time (hh:mm)	DEP-1 Calculated Field, (V/m)	DEP-2 Calculated Field, (V/m)	DEP-3 Calculated Field, (V/m)
14:56	-0,22642	-0,90566	-0,21352
15:02	-0,22642	-0,90566	-0,14235
15:08	-0,22642	-1,13210	-0,14235
15:14	-0,07547	-0,90566	0,14235
15:20	0,15094	-0,83019	0,21352
15:26	0,15094	-0,75472	0,28470
15:32	0,15094	-0,75472	-0,35587
15:38	-0,15094	-0,67925	-0,35587
15:44	-0,15094	-0,67925	-0,42705
15:50	-0,15094	-0,60377	-0,42705
15:56	-0,15094	-0,67925	-0,49822
16:02	-0,15094	-0,60377	-0,56940
16:08	-0,15094	-0,60377	-0,64057
16:14	-0,15094	-0,60377	-0,64057
16:20	-0,15094	-0,60377	-0,71174
16:26	-0,15094	-0,60377	-0,78292
16:32	-0,15094	-0,60377	-0,78292
16:38	-0,15094	-0,60377	-0,78292
16:44	-0,15094	-0,60377	-0,78292
16:50	-0,22642	-0,60377	0,85409
16:56	-0,22642	-0,67925	0,92527
17:02	-0,22642	-0,60377	-0,92527
17:08	-0,22642	-0,60377	-1,06760
17:14	-0,22642	-0,60377	-1,13880
17:20	-0,07547	-0,60377	-1,21000
17:26	-0,07547	-0,67925	-1,21000
17:32	-0,15094	-0,67925	-1,21000
17:38	0,07547	-0,67925	-1,28110
17:44	-0,07547	-0,75472	-1,35230
17:50	0,15094	-0,75472	-1,42350
17:56	0,15094	-0,75472	-1,42350
18:02	0,15094	-0,83019	-1,49470
18:08	-0,15094	-0,83019	1,49470
18:14	-0,15094	-0,83019	-1,56580
18:20	-0,15094	-0,83019	-1,56580
18:26	-0,15094	-0,83019	-1,63700
18:32	-0,15094	-0,90566	-1,63700
18:38	-0,15094	-0,90566	-1,56580
18:44	-0,15094	-0,90566	-1,56580
18:50	-0,15094	-0,90566	-1,56580
18:56	-0,15094	-1,50940	-1,63700
19:02	-0,15094	-1,50940	-1,63700
19:08	-0,15094	-1,50940	-0,99644
19:14	-0,15094	-1,50940	0,00000
19:20	-0,22642	-1,50940	0,00000
19:26	-0,22642	-1,50940	0,00000
19:32	-0,22642	-1,50940	0,00000
19:38	-0,22642	-1,50940	0,00000
19:44	-0,22642	-1,50940	0,00000
19:50	-0,06345	-2,11320	0,00000
19:56	0,00000	-1,96230	0,00000

Time (hh:mm)	DEP-1 Calculated Field, (V/m)	DEP-2 Calculated Field, (V/m)	DEP-3 Calculated Field, (V/m)
20:02	-0,06345	-2,11320	0,00000
20:08	0,06345	-2,18870	0,00000
20:14	-0,06345	-1,73580	0,00000
20:20	-0,07547	-3,54720	0,00000
20:26	-0,07547	-4,30190	0,00000
20:32	-0,15094	-5,43400	0,00000
20:38	0,07547	-6,33960	0,00000
20:44	-0,07547	-6,33960	0,00000
20:50	0,15094	-7,09430	0,00000
20:56	0,15094	-6,33960	0,00000
21:02	0,15094	-2,26420	0,00000
21:08	-0,15094	-2,49060	0,00000
21:14	-0,07547	-2,33960	0,00000
21:20	-0,07547	-1,96230	0,00000
21:26	-0,15094	-1,66040	0,00000
21:32	0,07547	-1,43400	0,00000
21:38	-0,07547	-1,58490	0,00000
21:44	0,15094	-1,66040	0,00000
21:50	0,15094	-1,35850	0,00000
21:56	0,15094	-1,28300	0,00000

Time (hh:mm)	DEP-1 Calculated Field, (V/m)	DEP-2 Calculated Field, (V/m)	DEP-3 Calculated Field, (V/m)
22:02	-0,15094	-1,20750	0,00000
22:08	-0,07547	-1,28300	0,00000
22:14	-0,07547	-1,28300	0,00000
22:20	-0,15094	-1,20750	0,00000
22:26	0,07547	-1,20750	0,00000
22:32	-0,07547	-1,28300	0,00000
22:38	0,15094	-1,20750	0,00000
22:44	0,15094	-1,05660	0,00000
22:50	0,15094	-0,98113	0,00000
22:56	-0,15094	-0,98113	0,00000
23:02	0,44416	-0,90566	0,00000
23:08	1,84010	-0,90566	0,00000
23:14	-1,90360	-0,90566	0,00000
23:20	-1,20560	-0,83019	0,00000
23:26	-1,07870	-0,75472	0,00000
23:32	-1,07870	-0,90566	0,00000
23:38	-1,01520	-0,83019	0,00000
23:44	-0,95178	-0,90566	0,00000
23:50	-1,07870	-1,13210	0,00000
23:56	-0,95178	-0,98113	0,00000

Annex 12. Information from DEP-sensors for 12/04/00

Time (hh:mm)	DEP-1 Calculated Field, (V/m)	DEP-2 Calculated Field, (V/m)	DEP-3 Calculated Field, (V/m)
0:02	-0,44416	0,00000	-1,35850
0:08	-0,50761	0,00000	-1,20750
0:14	-0,63452	0,00000	-1,28300
0:20	-0,69797	0,00000	-1,35850
0:26	-0,63452	0,00000	-1,43400
0:32	-0,63452	0,00000	-1,35850
0:38	0,50761	0,00000	-1,28300
0:44	-0,50761	0,00000	-1,28300
0:50	-0,57107	0,00000	-1,35850
0:56	-0,76142	0,00000	-1,43400
1:02	-0,44416	0,00000	-1,35850
1:08	-0,44416	0,00000	-0,67925
1:14	-0,50761	0,00000	-0,60377
1:20	-0,44416	0,00000	-0,60377
1:26	-0,82487	0,00000	-0,67925
1:32	0,82487	0,00000	-1,28300
1:38	0,50761	0,00000	-0,67925
1:44	-0,57107	0,00000	-0,75472
1:50	-0,57107	0,00000	-0,67925
1:56	-0,50761	0,00000	-0,67925
2:02	-0,50761	0,00000	-0,60377
2:08	-0,12690	0,00000	-0,60377
2:14	-0,57107	0,00000	-0,60377
2:20	-0,44416	0,00000	-0,60377
2:26	-0,82487	0,00000	-0,67925
2:32	-0,50761	0,00000	-0,67925
2:38	-0,50761	0,00000	-0,75472
2:44	-0,50761	0,00000	-0,83019
2:50	-0,57107	0,00000	-0,52830
2:56	-0,63452	0,00000	-0,45283
3:02	-0,63452	0,00000	-0,30189
3:08	-0,69797	0,00000	-0,30189
3:14	-0,82487	0,00000	-0,22642
3:20	-0,95178	0,00000	-0,15094
3:26	-1,07870	0,00000	-0,15094
3:32	-1,14210	0,00000	-0,15094
3:38	-1,20560	0,00000	-0,15094
3:44	-1,20560	0,00000	0,15094
3:50	-1,33250	0,00000	0,22642
3:56	-1,45940	0,00000	-0,15094
4:02	-1,45940	0,00000	-0,15094
4:08	-1,33250	0,00000	-0,15094
4:14	-1,26900	0,00000	-0,15094
4:20	-1,33250	0,00000	-0,22642
4:26	-1,52280	0,00000	-0,15094
4:32	-1,52280	0,00000	0,22642
4:38	-1,33250	0,00000	0,22642
4:44	-1,39590	0,00000	-0,22642

Time (hh:mm)	DEP-1 Calculated Field, (V/m)	DEP-2 Calculated Field, (V/m)	DEP-3 Calculated Field, (V/m)
4:50	-1,39590	0,00000	0,22642
4:56	-1,45940	0,00000	-0,22642
5:02	-1,45940	0,00000	-0,22642
5:08	-1,45940	0,00000	-0,22642
5:14	-1,52280	0,00000	0,22642
5:20	-1,58630	0,00000	-0,15094
5:26	-1,58630	0,00000	-0,22642
5:32	-1,58630	0,00000	-0,15094
5:38	-1,64970	0,00000	-0,15094
5:44	-1,64970	0,00000	-0,15094
5:50	-1,64970	0,00000	-0,15094
5:56	-1,64970	0,00000	-0,15094
6:02	-1,77660	0,00000	-0,22642
6:08	-1,77660	0,00000	-0,22642
6:14	-1,77660	0,00000	-0,22642
6:20	-1,71320	0,00000	-0,22642
6:26	-1,64970	0,00000	-0,22642
6:32	-1,90360	0,00000	-0,22642
6:38	-1,90360	0,00000	-0,22642
6:44	-1,84010	0,00000	-0,22642
6:50	-2,15740	0,00000	-0,22642
6:56	-1,84010	0,00000	-0,22642
7:02	-1,84010	0,00000	-0,22642
7:08	-1,84010	0,00000	-0,22642
7:14	-1,77660	0,00000	-0,30189
7:20	-2,09390	0,00000	-0,30189
7:26	-1,64970	0,00000	-0,30189
7:32	-1,71320	0,00000	-0,30189
7:38	-2,03050	0,00000	-0,30189
7:44	-1,71320	0,00000	-0,30189
7:50	-1,77660	0,00000	-0,37736
7:56	-1,58630	0,00000	-0,37736
8:02	-1,39590	0,00000	-0,37736
8:08	-1,52280	0,00000	-0,37736
8:14	-1,14210	0,00000	-0,37736
8:20	-1,07870	0,00000	-0,37736
8:26	-1,07870	0,00000	-0,37736
8:32	-1,07870	0,00000	-0,37736
8:38	-1,07870	0,00000	-0,37736
8:44	-1,14210	0,00000	-0,45283
8:50	-1,14210	0,00000	-0,45283
8:56	-1,39590	0,00000	-0,45283
9:02	4,57107	0,00000	0,37736
9:08	4,50761	0,00000	1,20750
9:14	3,50761	0,00000	1,58490
9:20	4,57107	0,00000	1,66040
9:26	4,51103	0,00000	1,66040
9:32	4,63452	0,00000	1,96230

Time (hh:mm)	DEP-1 Calculated Field, (V/m)	DEP-2 Calculated Field, (V/m)	DEP-3 Calculated Field, (V/m)
9:38	4,50107	0,00000	1,66040
9:44	4,50761	0,00000	1,58490
9:50	5,48908	0,00000	1,81130
9:56	4,57107	0,00000	1,50940
10:02	4,50761	0,00000	1,50940
10:08	4,50761	0,00000	1,43400
10:14	4,57107	0,00000	1,43400
10:20	3,51103	0,00000	1,43400
10:26	3,63452	0,00000	1,43400
10:32	4,50107	0,00000	1,43400
10:38	4,57107	0,00000	1,43400
10:44	4,50761	0,00000	1,43400
10:50	4,50761	0,00000	1,35850
10:56	4,48908	0,00000	1,35850
11:02	0,00000	0,00000	0,37736
11:08	-0,14210	0,00000	-0,30189
11:14	-0,14210	0,00000	-0,45283
11:20	0,31726	0,00000	-0,60377
11:26	-0,19036	0,00000	-0,67925
11:32	0,25381	0,00000	-0,75472
11:38	-0,44416	0,00000	-0,83019
11:44	-0,44416	0,00000	-0,90566
11:50	-0,50761	0,00000	-0,90566
11:56	-0,44416	0,00000	-0,90566
12:02	-0,82487	0,00000	-0,98113
12:08	0,82487	0,00000	-1,05660
12:14	0,50761	0,00000	-1,05660
12:20	-0,57107	0,00000	-0,98113
12:26	-0,57107	0,00000	-1,13210
12:32	-0,50761	0,00000	-1,13210
12:38	-0,20089	0,00000	-1,20750
12:44	-0,31564	0,00000	-1,20750
12:50	0,23458	0,00000	-1,20750
12:56	0,56723	0,00000	-1,28300
13:02	0,10789	0,00000	-1,28300
13:08	-0,43271	0,00000	-1,28300
13:14	-0,27547	0,00000	-1,35850
13:20	-0,01791	0,00000	-1,35850
13:26	-0,38071	0,00000	-1,35850
13:32	-0,31726	0,00000	-1,35850
13:38	-0,31726	0,00000	-1,43400
13:44	0,38071	0,00000	-1,43400
13:50	0,38071	0,00000	-1,43400
13:56	0,44416	0,00000	-1,43400
14:02	-0,31726	0,00000	-1,50940
14:08	-0,31726	0,00000	-1,50940
14:14	-0,38071	0,00000	-1,58490
14:20	-0,38071	0,00000	-1,58490
14:26	0,38071	0,00000	-1,66040
14:32	0,38071	0,00000	-1,66040

Time (hh:mm)	DEP-1 Calculated Field, (V/m)	DEP-2 Calculated Field, (V/m)	DEP-3 Calculated Field, (V/m)
14:38	-0,31726	0,00000	-1,58490
14:44	-0,31726	0,00000	-1,58490
14:50	-0,25381	0,00000	-1,58490
14:56	-0,31726	0,00000	-1,58490
15:02	0,31726	0,00000	-1,50940
15:08	-0,25381	0,00000	-1,50940
15:14	0,31726	0,00000	-1,43400
15:20	-0,19036	0,00000	-1,28300
15:26	0,38071	0,00000	-1,28300
15:32	-0,31726	0,00000	-1,20750
15:38	0,31726	0,00000	-1,20750
15:44	-0,25381	0,00000	-1,20750
15:50	-0,25381	0,00000	-1,20750
15:56	0,31726	0,00000	-1,20750
16:02	0,31726	0,00000	-1,13210
16:08	0,31726	0,00000	-1,20750
16:14	-0,31726	0,00000	-1,13210
16:20	-0,31726	0,00000	-1,13210
16:26	-0,31726	0,00000	-1,13210
16:32	-0,38071	0,00000	-1,20750
16:38	0,31726	0,00000	-1,13210
16:44	-0,31726	0,00000	-1,13210
16:50	0,31726	0,00000	-0,98113
16:56	-0,31726	0,00000	-0,98113
17:02	-0,31726	0,00000	-1,13210
17:08	0,31726	0,00000	-0,98113
17:14	-0,25381	0,00000	-0,98113
17:20	-0,31726	0,00000	-0,98113
17:26	0,25381	0,00000	-1,13210
17:32	0,31726	0,00000	-0,98113
17:38	-0,31726	0,00000	-0,98113
17:44	-0,31726	0,00000	-1,13210
17:50	-0,31726	0,00000	-0,98113
17:56	-0,25381	0,00000	-0,98113
18:02	0,38071	0,00000	-0,98113
18:08	0,31726	0,00000	-1,13210
18:14	-0,38071	0,00000	-1,20750
18:20	0,38071	0,00000	-1,20750
18:26	0,31726	0,00000	-1,20750
18:32	4,31470	0,00000	-1,20750
18:38	-1,33250	0,00000	-1,20750
18:44	1,77660	0,00000	-1,20750
18:50	1,20560	0,00000	-1,73580
18:56	-0,69797	0,00000	-1,66040
19:02	-0,44416	0,00000	-1,66040
19:08	0,31726	0,00000	-1,66040
19:14	-0,25381	0,00000	-1,66040
19:20	-0,25381	0,00000	-1,58490
19:26	-0,25381	0,00000	-1,58490
19:32	-0,38071	0,00000	-1,58490

Time (hh:mm)	DEP-1 Calculated Field, (V/m)	DEP-2 Calculated Field, (V/m)	DEP-3 Calculated Field, (V/m)
19:38	-0,38071	0,00000	-1,58490
19:44	-0,31726	0,00000	-1,58490
19:50	0,38071	0,00000	-1,58490
19:56	0,69797	0,00000	-1,58490
20:02	-0,88832	0,00000	-1,58490
20:08	1,14210	0,00000	-1,58490
20:14	1,33250	0,00000	-1,58490
20:20	1,52280	0,00000	-1,50940
20:26	-1,33250	0,00000	-1,35850
20:32	1,45940	0,00000	-0,98113
20:38	1,58630	0,00000	-1,20750
20:44	1,33250	0,00000	-1,43400
20:50	-1,14210	0,00000	-1,50940
20:56	0,57107	0,00000	-1,50940
21:02	0,25381	0,00000	-1,58490
21:08	0,25381	0,00000	-1,50940
21:14	0,38071	0,00000	-1,35850
21:20	-1,45940	0,00000	-1,35850
21:26	-1,05660	0,00000	-1,28300
21:32	-1,28300	0,00000	-1,28300
21:38	0,25381	0,00000	-1,28300
21:44	-0,98113	0,00000	-1,28300

Time (hh:mm)	DEP-1 Calculated Field, (V/m)	DEP-2 Calculated Field, (V/m)	DEP-3 Calculated Field, (V/m)
21:50	-0,98113	0,00000	-1,20750
21:56	-0,98113	0,00000	-1,13210
22:02	-0,69797	0,00000	-1,13210
22:08	-0,88832	0,00000	-1,05660
22:14	-0,69797	0,00000	-0,98113
22:20	-0,69797	0,00000	-0,98113
22:26	-0,98113	0,00000	-0,98113
22:32	-0,69797	0,00000	-0,98113
22:38	-0,88832	0,00000	-0,90566
22:44	-0,98113	0,00000	-0,90566
22:50	-0,69797	0,00000	-0,90566
22:56	-0,69797	0,00000	-0,83019
23:02	-0,88832	0,00000	-0,83019
23:08	-0,69797	0,00000	-0,75472
23:14	-2,28430	0,00000	-0,75472
23:20	1,20560	0,00000	-0,67925
23:26	1,33250	0,00000	-0,67925
23:32	-1,33250	0,00000	-0,67925
23:38	1,45940	0,00000	-0,60377
23:44	-1,33250	0,00000	-0,60377
23:50	-0,88832	0,00000	-0,67925
23:56	-0,69797	0,00000	-0,67925

Annex 13. Information from DEP-sensors for 13/04/00

Time (hh:mm)	DEP-1 Calculated Field, (V/m)	DEP-2 Calculated Field, (V/m)	DEP-3 Calculated Field, (V/m)
0:02	-0,63452	0,00000	-0,67925
0:08	-0,57107	0,00000	-0,83019
0:14	-0,50761	0,00000	-0,67925
0:20	0,57107	0,00000	-0,83019
0:26	-0,50761	0,00000	-0,83019
0:32	-0,44416	0,00000	-0,75472
0:38	-0,38071	0,00000	-0,67925
0:44	-0,38071	0,00000	-0,83019
0:50	-0,38071	0,00000	-0,67925
0:56	0,44416	0,00000	-0,67925
1:02	-0,38071	0,00000	-0,67925
1:08	-0,50761	0,00000	-0,60377
1:14	-0,06345	0,00000	-0,60377
1:20	-0,76142	0,00000	-0,67925
1:26	0,57107	0,00000	-0,60377
1:32	-0,63452	0,00000	-0,60377
1:38	-0,63452	0,00000	-0,60377
1:44	-0,50761	0,00000	-0,60377
1:50	0,69797	0,00000	-0,67925
1:56	-0,69797	0,00000	-0,67925
2:02	-0,69797	0,00000	-0,67925
2:08	-0,69797	0,00000	-0,67925
2:14	-0,82487	0,00000	-0,75472
2:20	-0,44416	0,00000	-0,83019
2:26	-0,06345	0,00000	-0,83019
2:32	-0,38071	0,00000	-0,83019
2:38	-0,44416	0,00000	-0,83019
2:44	-0,50761	0,00000	-0,90566
2:50	-0,57107	0,00000	-0,52830
2:56	0,00000	0,00000	-0,30189
3:02	-0,76142	0,00000	-0,22642
3:08	-0,69797	0,00000	-0,22642
3:14	-0,88832	0,00000	-0,15094
3:20	-1,01520	0,00000	-0,15094
3:26	-1,14210	0,00000	-0,15094
3:32	-1,20560	0,00000	-0,15094
3:38	-1,26900	0,00000	-0,22642
3:44	-1,52280	0,00000	-0,15094
3:50	-1,39590	0,00000	-0,15094
3:56	-1,39590	0,00000	-0,22642
4:02	-1,64970	0,00000	-0,22642
4:08	-1,64970	0,00000	-0,22642
4:14	-1,64970	0,00000	-0,15094
4:20	-1,64970	0,00000	-0,15094
4:26	-1,64970	0,00000	-0,15094
4:32	-1,71320	0,00000	-0,22642
4:38	-1,64970	0,00000	-0,15094
4:44	-1,64970	0,00000	-0,15094

Time (hh:mm)	DEP-1 Calculated Field, (V/m)	DEP-2 Calculated Field, (V/m)	DEP-3 Calculated Field, (V/m)
4:50	-1,71320	0,00000	-0,15094
4:56	-1,77660	0,00000	-0,15094
5:02	-1,84010	0,00000	-0,22642
5:08	-1,64970	0,00000	-0,22642
5:14	-1,77660	0,00000	-0,22642
5:20	-1,71320	0,00000	-0,30189
5:26	-1,90360	0,00000	-0,22642
5:32	-1,71320	0,00000	-0,22642
5:38	-1,77660	0,00000	-0,22642
5:44	-2,03050	0,00000	-0,30189
5:50	-1,71320	0,00000	-0,22642
5:56	-1,71320	0,00000	-0,22642
6:02	-1,84010	0,00000	-0,37736
6:08	-1,84010	0,00000	-0,22642
6:14	-1,90360	0,00000	-0,22642
6:20	-2,15740	0,00000	-0,22642
6:26	-1,90360	0,00000	-0,22642
6:32	-1,90360	0,00000	-0,30189
6:38	-1,90360	0,00000	-0,37736
6:44	-1,71320	0,00000	-0,37736
6:50	-2,09390	0,00000	-0,37736
6:56	-1,96700	0,00000	-0,45283
7:02	-1,96700	0,00000	-0,52830
7:08	-2,22080	0,00000	-0,52830
7:14	-1,96700	0,00000	-0,52830
7:20	-1,71320	0,00000	-0,52830
7:26	-1,96700	0,00000	-0,52830
7:32	-1,96700	0,00000	-0,52830
7:38	-2,41120	0,00000	-0,52830
7:44	-2,15740	0,00000	-0,52830
7:50	-2,09390	0,00000	-0,52830
7:56	-2,09390	0,00000	-0,52830
8:02	-1,96700	0,00000	-0,52830
8:08	-1,84010	0,00000	-0,45283
8:14	-1,90360	0,00000	-0,52830
8:20	-1,58630	0,00000	-0,45283
8:26	-1,52280	0,00000	-0,45283
8:32	0,25381	0,00000	-0,45283
8:38	-1,07870	0,00000	-0,45283
8:44	-1,14210	0,00000	-0,45283
8:50	-1,14210	0,00000	-0,45283
8:56	-1,39590	0,00000	-0,45283
9:02	5,01270	0,00000	1,20750
9:08	5,01270	0,00000	1,88680
9:14	5,32990	0,00000	-0,15094
9:20	5,32990	0,00000	1,35850
9:26	5,01270	0,00000	1,28300
9:32	5,32990	0,00000	1,13210

Time (hh:mm)	DEP-1 Calculated Field, (V/m)	DEP-2 Calculated Field, (V/m)	DEP-3 Calculated Field, (V/m)
9:38	5,64720	0,00000	0,83019
9:44	5,64720	0,00000	0,75472
9:50	5,96450	0,00000	0,67925
9:56	5,64720	0,00000	0,67925
10:02	5,96450	0,00000	0,67925
10:08	5,32990	0,00000	0,67925
10:14	5,01270	0,00000	0,60377
10:20	4,56850	0,00000	0,60377
10:26	4,69540	0,00000	0,52830
10:32	4,44160	0,00000	0,52830
10:38	4,69540	0,00000	0,52830
10:44	5,64720	0,00000	0,45283
10:50	5,96450	0,00000	0,45283
10:56	5,32990	0,00000	0,45283
11:02	2,09870	0,00000	-0,22642
11:08	-0,03050	0,00000	-0,37736
11:14	-0,58630	0,00000	-0,45283
11:20	-1,22500	0,00000	-0,52830
11:26	1,96700	0,00000	-0,60377
11:32	-0,53610	0,00000	-0,67925
11:38	1,15740	0,00000	-0,67925
11:44	1,03050	0,00000	-0,75472
11:50	1,71320	0,00000	-0,75472
11:56	1,96700	0,00000	-0,83019
12:02	2,22080	0,00000	-0,83019
12:08	-0,47460	0,00000	-0,83019
12:14	-0,09390	0,00000	-0,90566
12:20	-0,09390	0,00000	-0,90566
12:26	0,41120	0,00000	-0,90566
12:32	-0,90566	0,00000	-0,90566
12:38	-0,90566	0,00000	-0,90566
12:44	-0,90566	0,00000	-0,90566
12:50	-0,90566	0,00000	-0,90566
12:56	-1,96700	0,00000	-0,90566
13:02	1,96700	0,00000	-0,90566
13:08	1,96700	0,00000	-0,90566
13:14	1,53810	0,00000	-0,98113
13:20	1,03050	0,00000	-0,98113
13:26	2,22080	0,00000	-0,98113
13:32	1,85530	0,00000	-0,98113
13:38	0,12690	0,00000	-1,13210
13:44	0,12690	0,00000	-1,13210
13:50	-0,12690	0,00000	-1,20750
13:56	-0,06345	0,00000	-1,20750
14:02	-0,06345	0,00000	-1,20750
14:08	-0,06345	0,00000	-1,28300
14:14	0,06345	0,00000	-1,28300
14:20	0,06345	0,00000	-1,28300
14:26	0,06345	0,00000	-1,28300
14:32	0,06345	0,00000	-1,35850

Time (hh:mm)	DEP-1 Calculated Field, (V/m)	DEP-2 Calculated Field, (V/m)	DEP-3 Calculated Field, (V/m)
14:38	0,06345	0,00000	-1,35850
14:44	0,06345	0,00000	-1,35850
14:50	0,06345	0,00000	-1,28300
14:56	-0,56780	0,00000	-1,28300
15:02	-0,28791	0,00000	-1,28300
15:08	-0,98113	0,00000	-1,28300
15:14	-0,44321	0,00000	-1,20750
15:20	0,22567	0,00000	-1,13210
15:26	0,67832	0,00000	-0,98113
15:32	0,42178	0,00000	-0,98113
15:38	-0,34587	0,00000	0,00000
15:44	-0,67543	0,00000	-0,90566
15:50	-0,27865	0,00000	0,00000
15:56	-0,56743	0,00000	-0,90566
16:02	0,00000	0,00000	-0,90566
16:08	0,00000	0,00000	-0,90566
16:14	0,00000	0,00000	-0,90566
16:20	-0,32456	0,00000	-0,90566
16:26	-0,90566	0,00000	-0,90566
16:32	-0,90566	0,00000	-0,90566
16:38	-0,90566	0,00000	-0,90566
16:44	-0,90566	0,00000	-0,90566
16:50	-0,90566	0,00000	-0,90566
16:56	-0,98113	0,00000	-0,90566
17:02	-0,98113	0,00000	-0,90566
17:08	-0,98113	0,00000	-0,90566
17:14	-0,98113	0,00000	-0,90566
17:20	-0,98113	0,00000	-0,90566
17:26	-0,98113	0,00000	-0,90566
17:32	0,06345	0,00000	-0,90566
17:38	0,06345	0,00000	-0,90566
17:44	0,06345	0,00000	-0,90566
17:50	0,06345	0,00000	-0,98113
17:56	0,06345	0,00000	-0,98113
18:02	-0,56780	0,00000	-0,98113
18:08	-0,28791	0,00000	-0,98113
18:14	-0,24567	0,00000	-0,98113
18:20	-0,56432	0,00000	-0,98113
18:26	0,00000	0,00000	-0,98113
18:32	0,06345	0,00000	-0,98113
18:38	0,06345	0,00000	-0,98113
18:44	0,06345	0,00000	-0,98113
18:50	0,06345	0,00000	-1,66040
18:56	0,06345	0,00000	-1,58490
19:02	-0,56780	0,00000	-1,66040
19:08	-0,28791	0,00000	-1,66040
19:14	0,06345	0,00000	-1,66040
19:20	0,06345	0,00000	-1,73580
19:26	-0,56780	0,00000	-1,66040
19:32	-0,28791	0,00000	-1,73580

Time (hh:mm)	DEP-1 Calculated Field, (V/m)	DEP-2 Calculated Field, (V/m)	DEP-3 Calculated Field, (V/m)
19:38	-0,98113	0,00000	-1,66040
19:44	-0,44321	0,00000	-1,66040
19:50	0,22567	0,00000	-1,66040
19:56	0,67832	0,00000	-1,73580
20:02	0,42178	0,00000	-1,73580
20:08	-0,34587	0,00000	-1,73580
20:14	0,23450	0,00000	-1,73580
20:20	0,76987	0,00000	-1,73580
20:26	-0,29865	0,00000	-1,73580
20:32	-0,12987	0,00000	-1,66040
20:38	0,00000	0,00000	-1,73580
20:44	-0,60954	0,00000	-1,73580
20:50	-0,34509	0,00000	-1,73580
20:56	-0,23487	0,00000	-1,73580
21:02	-0,76598	0,00000	-1,73580
21:08	-0,98113	0,00000	-1,73580
21:14	-0,98113	0,00000	-1,66040
21:20	-0,98113	0,00000	-1,66040
21:26	-0,98113	0,00000	-1,58490
21:32	-0,90566	0,00000	-1,58490
21:38	-0,90566	0,00000	-1,50940
21:44	-0,90566	0,00000	-1,50940

Time (hh:mm)	DEP-1 Calculated Field, (V/m)	DEP-2 Calculated Field, (V/m)	DEP-3 Calculated Field, (V/m)
21:50	-0,90566	0,00000	-1,43400
21:56	-0,90566	0,00000	-1,43400
22:02	-0,90566	0,00000	-1,35850
22:08	-0,45632	0,00000	-1,28300
22:14	-0,32487	0,00000	-1,28300
22:20	-0,90765	0,00000	-1,28300
22:26	-0,34598	0,00000	-1,20750
22:32	-1,26754	0,00000	-1,20750
22:38	-1,54670	0,00000	-1,13210
22:44	-2,28430	0,00000	-1,13210
22:50	1,20560	0,00000	-1,13210
22:56	1,33250	0,00000	-0,98113
23:02	-1,33250	0,00000	-0,98113
23:08	1,45940	0,00000	-0,98113
23:14	-1,33250	0,00000	-0,98113
23:20	-0,88832	0,00000	-0,90566
23:26	-0,69797	0,00000	-0,90566
23:32	-0,88832	0,00000	-0,90566
23:38	-1,52280	0,00000	-0,90566
23:44	1,33250	0,00000	-0,90566
23:50	-1,52280	0,00000	-0,90566
23:56	1,45940	0,00000	-0,90566

Annex 14. Information from DEP-sensors for 15/04/00

Time (hh:mm)	DEP-1 Calculated Field, (V/m)	DEP-2 Calculated Field, (V/m)	DEP-3 Calculated Field, (V/m)
0:02	-0,57107	0,00000	-0,90566
0:08	-0,50761	0,00000	-0,83019
0:14	-0,44416	0,00000	-0,90566
0:20	-0,31726	0,00000	-0,90566
0:26	-0,38071	0,00000	-0,90566
0:32	-0,31726	0,00000	-0,90566
0:38	-0,31726	0,00000	-0,98113
0:44	-0,25381	0,00000	-0,90566
0:50	-0,31726	0,00000	-0,90566
0:56	-0,25381	0,00000	-0,90566
1:02	-0,38071	0,00000	-0,90566
1:08	-0,50761	0,00000	-0,90566
1:14	0,76142	0,00000	-0,90566
1:20	0,50761	0,00000	-0,90566
1:26	0,00000	0,00000	-0,90566
1:32	-0,57107	0,00000	-0,83019
1:38	-0,06345	0,00000	-0,83019
1:44	0,69797	0,00000	-0,83019
1:50	0,69797	0,00000	-0,75472
1:56	-0,63452	0,00000	-0,83019
2:02	0,76142	0,00000	-0,90566
2:08	-0,63452	0,00000	-0,90566
2:14	-0,57107	0,00000	-0,90566
2:20	0,50761	0,00000	-0,90566
2:26	0,76142	0,00000	-0,90566
2:32	-0,38071	0,00000	-0,90566
2:38	-0,38071	0,00000	-0,98113
2:44	-0,44416	0,00000	-0,98113
2:50	0,00000	0,00000	-0,75472
2:56	-0,57107	0,00000	-0,37736
3:02	-0,57107	0,00000	-0,37736
3:08	-0,63452	0,00000	-0,30189
3:14	-0,82487	0,00000	-0,30189
3:20	-0,95178	0,00000	-0,30189
3:26	-1,07870	0,00000	-0,30189
3:32	-1,20560	0,00000	-0,22642
3:38	-1,20560	0,00000	-0,22642
3:44	-1,33250	0,00000	-0,22642
3:50	-1,39590	0,00000	-0,30189
3:56	-1,33250	0,00000	-0,22642
4:02	-1,33250	0,00000	-0,22642
4:08	-1,33250	0,00000	-0,30189
4:14	-1,33250	0,00000	-0,22642
4:20	-1,33250	0,00000	-0,22642
4:26	-1,39590	0,00000	-0,22642
4:32	0,76142	0,00000	0,90566
4:38	5,01270	0,00000	2,03770
4:44	6,72590	0,00000	2,18870

Time (hh:mm)	DEP-1 Calculated Field, (V/m)	DEP-2 Calculated Field, (V/m)	DEP-3 Calculated Field, (V/m)
4:50	5,01270	0,00000	2,26420
4:56	6,72590	0,00000	2,26420
5:02	6,72590	0,00000	2,33960
5:08	5,32990	0,00000	2,33960
5:14	5,64720	0,00000	2,26420
5:20	7,17010	0,00000	2,26420
5:26	5,64720	0,00000	2,18870
5:32	5,64720	0,00000	2,18870
5:38	5,64720	0,00000	2,11320
5:44	5,01270	0,00000	2,11320
5:50	5,01270	0,00000	2,11320
5:56	5,32990	0,00000	2,03770
6:02	5,01270	0,00000	2,03770
6:08	5,32990	0,00000	2,03770
6:14	5,32990	0,00000	1,96230
6:20	-2,03050	0,00000	1,35850
6:26	-1,71320	0,00000	0,52830
6:32	-1,90360	0,00000	-0,30189
6:38	-1,90360	0,00000	-0,37736
6:44	-1,90360	0,00000	-0,52830
6:50	-1,96700	0,00000	-0,60377
6:56	-1,90360	0,00000	-0,67925
7:02	-1,90360	0,00000	-0,67925
7:08	-1,96700	0,00000	-0,75472
7:14	-1,64970	0,00000	-0,83019
7:20	-2,22080	0,00000	-0,83019
7:26	-2,15740	0,00000	-0,83019
7:32	-1,90360	0,00000	-0,83019
7:38	-1,90360	0,00000	-0,83019
7:44	-1,96700	0,00000	-0,83019
7:50	-2,09390	0,00000	-0,83019
7:56	-1,96700	0,00000	-0,90566
8:02	-2,15740	0,00000	-0,83019
8:08	-2,09390	0,00000	-0,90566
8:14	-1,84010	0,00000	-0,90566
8:20	-2,09390	0,00000	-0,90566
8:26	-1,96700	0,00000	-0,90566
8:32	-1,20560	0,00000	-0,90566
8:38	-0,95178	0,00000	-0,90566
8:44	-0,88832	0,00000	-0,90566
8:50	-0,83019	0,00000	-0,90566
8:56	-0,83019	0,00000	-0,90566
9:02	-0,52830	0,00000	-0,90566
9:08	-0,52830	0,00000	-0,90566
9:14	0,00000	0,00000	-0,90566
9:20	-0,90566	0,00000	-0,90566
9:26	-0,83019	0,00000	0,00000
9:32	-0,90566	0,00000	-0,90566

Time (hh:mm)	DEP-1 Calculated Field, (V/m)	DEP-2 Calculated Field, (V/m)	DEP-3 Calculated Field, (V/m)
9:38	-0,90566	0,00000	-0,90566
9:44	-0,90566	0,00000	-0,90566
9:50	-0,90566	0,00000	-0,90566
9:56	-0,90566	0,00000	-0,90566
10:02	1,35850	0,00000	-0,83019
10:08	0,52830	0,00000	-0,83019
10:14	-0,30189	0,00000	-0,83019
10:20	-0,37736	0,00000	-0,83019
10:26	-0,52830	0,00000	-0,83019
10:32	-0,60377	0,00000	-0,83019
10:38	-0,67925	0,00000	-0,75472
10:44	-0,67925	0,00000	-0,75472
10:50	-0,83019	0,00000	-0,75472
10:56	-0,83019	0,00000	-0,75472
11:02	-0,83019	0,00000	-0,75472
11:08	-0,98113	0,00000	-0,75472
11:14	-0,98113	0,00000	-0,75472
11:20	-0,98113	0,00000	-0,75472
11:26	-1,05660	0,00000	-0,75472
11:32	-0,98113	0,00000	-0,83019
11:38	-0,98113	0,00000	-0,83019
11:44	-0,98113	0,00000	-0,83019
11:50	-0,98113	0,00000	-0,83019
11:56	-0,98113	0,00000	-0,83019
12:02	-0,98113	0,00000	-0,83019
12:08	-0,75472	0,00000	-0,83019
12:14	-0,75472	0,00000	-0,83019
12:20	-0,75472	0,00000	-0,90566
12:26	-0,75472	0,00000	-0,90566
12:32	-0,75472	0,00000	-0,90566
12:38	-0,75472	0,00000	-0,90566
12:44	-0,75472	0,00000	-0,90566
12:50	-0,83019	0,00000	-0,90566
12:56	-0,90566	0,00000	-0,90566
13:02	-0,90566	0,00000	-0,90566
13:08	-0,90566	0,00000	-0,90566
13:14	0,35850	0,00000	-0,90566
13:20	0,52830	0,00000	-0,90566
13:26	-0,30189	0,00000	-0,98113
13:32	-0,37736	0,00000	0,00000
13:38	-0,52830	0,00000	-1,05660
13:44	-0,60377	0,00000	-0,98113
13:50	-0,67925	0,00000	-0,98113
13:56	-0,67925	0,00000	-1,20750
14:02	0,52830	0,00000	-1,20750
14:08	-0,30189	0,00000	-1,20750
14:14	-0,37736	0,00000	-1,20750
14:20	-0,52830	0,00000	-1,28300
14:26	-0,60377	0,00000	-1,28300
14:32	-0,67925	0,00000	-1,28300

Time (hh:mm)	DEP-1 Calculated Field, (V/m)	DEP-2 Calculated Field, (V/m)	DEP-3 Calculated Field, (V/m)
14:38	-0,23450	0,00000	-1,28300
14:44	0,23450	0,00000	-1,28300
14:50	-0,65498	0,00000	-1,28300
14:56	0,34987	0,00000	-1,28300
15:02	0,12387	0,00000	-1,20750
15:08	0,12387	0,00000	-1,20750
15:14	-0,23987	0,00000	-1,20750
15:20	-0,23987	0,00000	-0,98113
15:26	0,00000	0,00000	-0,98113
15:32	0,00000	0,00000	-0,98113
15:38	0,52830	0,00000	-0,98113
15:44	-0,30189	0,00000	-0,90566
15:50	-0,37736	0,00000	-0,98113
15:56	-0,52830	0,00000	-0,98113
16:02	-0,60377	0,00000	-0,90566
16:08	-0,67925	0,00000	-0,98113
16:14	-0,67925	0,00000	-0,90566
16:20	0,52830	0,00000	-0,98113
16:26	-0,30189	0,00000	-0,90566
16:32	-0,37736	0,00000	-0,90566
16:38	-0,52830	0,00000	-0,98113
16:44	-0,60377	0,00000	-0,98113
16:50	-0,38071	0,00000	-0,98113
16:56	-0,31726	0,00000	-0,98113
17:02	-0,31726	0,00000	-0,90566
17:08	-0,25381	0,00000	-0,90566
17:14	-0,31726	0,00000	-0,90566
17:20	-0,25381	0,00000	-0,90566
17:26	-0,38071	0,00000	-0,98113
17:32	-0,50761	0,00000	-0,98113
17:38	-0,75472	0,00000	-0,98113
17:44	-0,75472	0,00000	-0,98113
17:50	-0,83019	0,00000	-0,98113
17:56	-0,90566	0,00000	-0,98113
18:02	-0,90566	0,00000	-1,05660
18:08	-0,90566	0,00000	-0,98113
18:14	0,35850	0,00000	-0,98113
18:20	0,52830	0,00000	-0,98113
18:26	-0,30189	0,00000	-0,98113
18:32	-0,37736	0,00000	-0,98113
18:38	-0,52830	0,00000	-0,98113
18:44	-0,60377	0,00000	-0,98113
18:50	-0,67925	0,00000	-1,66040
18:56	-0,67925	0,00000	-1,66040
19:02	0,52830	0,00000	-1,66040
19:08	-0,30189	0,00000	-1,66040
19:14	0,00000	0,00000	-1,66040
19:20	-0,43906	0,00000	-1,66040
19:26	-0,55871	0,00000	-1,66040
19:32	-0,63420	0,00000	-1,66040

Time (hh:mm)	DEP-1 Calculated Field, (V/m)	DEP-2 Calculated Field, (V/m)	DEP-3 Calculated Field, (V/m)
19:38	-0,38071	0,00000	-1,66040
19:44	-0,31726	0,00000	-1,66040
19:50	-0,31726	0,00000	-1,66040
19:56	-0,25381	0,00000	-1,66040
20:02	-0,31726	0,00000	-1,73580
20:08	-0,25381	0,00000	-1,73580
20:14	-0,38071	0,00000	-1,73580
20:20	-0,50761	0,00000	-1,73580
20:26	-0,23498	0,00000	-1,73580
20:32	-0,23498	0,00000	-1,73580
20:38	-0,45301	0,00000	-1,73580
20:44	-0,76502	0,00000	-1,73580
20:50	0,03240	0,00000	-1,73580
20:56	0,52830	0,00000	-1,73580
21:02	-0,30189	0,00000	-1,73580
21:08	-0,37736	0,00000	-1,66040
21:14	-0,52830	0,00000	-1,66040
21:20	-0,60377	0,00000	-1,66040
21:26	-0,67925	0,00000	-1,58490
21:32	-0,67925	0,00000	-1,58490
21:38	0,52830	0,00000	-1,43400
21:44	-0,30189	0,00000	-1,35850

Time (hh:mm)	DEP-1 Calculated Field, (V/m)	DEP-2 Calculated Field, (V/m)	DEP-3 Calculated Field, (V/m)
21:50	-0,37736	0,00000	-1,35850
21:56	-0,52830	0,00000	-1,43400
22:02	-0,60377	0,00000	-1,43400
22:08	-0,87690	0,00000	-1,35850
22:14	-1,52280	0,00000	-1,35850
22:20	1,33250	0,00000	-1,13210
22:26	2,34770	0,00000	-1,58490
22:32	1,52280	0,00000	-1,66040
22:38	1,33250	0,00000	-1,43400
22:44	1,26900	0,00000	-1,35850
22:50	-1,45940	0,00000	-1,28300
22:56	-1,58630	0,00000	-1,20750
23:02	1,58630	0,00000	-1,05660
23:08	-1,33250	0,00000	-1,13210
23:14	-1,01520	0,00000	-1,28300
23:20	-1,14210	0,00000	-1,58490
23:26	-1,20560	0,00000	-1,73580
23:32	-1,07870	0,00000	-1,66040
23:38	-0,95178	0,00000	-1,66040
23:44	-1,07870	0,00000	-1,66040
23:50	-0,95178	0,00000	-1,66040
23:56	-0,88832	0,00000	-1,58490

Annex 15. Information from DEP-sensors for 16/04/00

Time (hh:mm)	DEP-1 Calculated Field, (V/m)	DEP-2 Calculated Field, (V/m)	DEP-3 Calculated Field, (V/m)
0:02	-0,76142	0,00000	-1,50940
0:08	-0,69797	0,00000	-1,50940
0:14	-0,76142	0,00000	-1,66040
0:20	-0,76142	0,00000	-1,73580
0:26	-1,01520	0,00000	-1,73580
0:32	-1,01520	0,00000	-1,66040
0:38	-0,88832	0,00000	-1,66040
0:44	-0,82487	0,00000	-1,66040
0:50	-0,88832	0,00000	-1,73580
0:56	-1,01520	0,00000	-1,73580
1:02	-0,88832	0,00000	-1,58490
1:08	-1,07870	0,00000	-1,43400
1:14	-1,14210	0,00000	-1,28300
1:20	-1,01520	0,00000	-1,35850
1:26	-1,33250	0,00000	-0,52830
1:32	-1,39590	0,00000	-0,45283
1:38	-1,39590	0,00000	-0,45283
1:44	-1,39590	0,00000	-0,45283
1:50	-1,33250	0,00000	-0,45283
1:56	-1,71320	0,00000	-0,60377
2:02	-1,77660	0,00000	-0,60377
2:08	-1,45940	0,00000	-0,52830
2:14	-1,39590	0,00000	-0,52830
2:20	-1,14210	0,00000	-0,52830
2:26	-1,01520	0,00000	-0,60377
2:32	-1,01520	0,00000	-0,60377
2:38	-1,01520	0,00000	-0,60377
2:44	-1,07870	0,00000	-0,67925
2:50	-1,14210	0,00000	-0,37736
2:56	-1,07870	0,00000	0,37736
3:02	-1,20560	0,00000	0,45283
3:08	-1,14210	0,00000	0,52830
3:14	-1,26900	0,00000	0,60377
3:20	-1,26900	0,00000	0,60377
3:26	-1,33250	0,00000	0,75472
3:32	-1,64970	0,00000	1,05660
3:38	-1,71320	0,00000	1,13210
3:44	-1,77660	0,00000	1,05660
3:50	-1,77660	0,00000	1,05660
3:56	-1,71320	0,00000	1,13210
4:02	-1,71320	0,00000	1,13210
4:08	-1,71320	0,00000	1,13210
4:14	-1,71320	0,00000	1,05660
4:20	-1,64970	0,00000	0,98113
4:26	-1,71320	0,00000	0,83019
4:32	7,17010	0,00000	0,90566
4:38	7,17010	0,00000	0,90566
4:44	7,17010	0,00000	0,98113

Time (hh:mm)	DEP-1 Calculated Field, (V/m)	DEP-2 Calculated Field, (V/m)	DEP-3 Calculated Field, (V/m)
4:50	7,17010	0,00000	1,05660
4:56	5,32990	0,00000	0,98113
5:02	5,64720	0,00000	0,90566
5:08	5,64720	0,00000	1,05660
5:14	5,96450	0,00000	1,13210
5:20	5,96450	0,00000	1,05660
5:26	5,32990	0,00000	1,13210
5:32	5,32990	0,00000	1,13210
5:38	-1,07870	0,00000	1,13210
5:44	2,28430	0,00000	1,05660
5:50	5,32990	0,00000	1,05660
5:56	5,01270	0,00000	1,13210
6:02	5,32990	0,00000	1,05660
6:08	5,32990	0,00000	1,13210
6:14	5,32990	0,00000	1,13210
6:20	5,32990	0,00000	1,13210
6:26	4,69540	0,00000	1,13210
6:32	-2,03050	0,00000	-0,37736
6:38	-2,09390	0,00000	-0,37736
6:44	-2,03050	0,00000	-0,60377
6:50	-1,77660	0,00000	-0,75472
6:56	-1,77660	0,00000	-0,90566
7:02	-1,77660	0,00000	-0,98113
7:08	-1,77660	0,00000	-0,98113
7:14	-1,96700	0,00000	-1,13210
7:20	-1,71320	0,00000	-1,20750
7:26	-1,64970	0,00000	-1,20750
7:32	-1,90360	0,00000	-1,28300
7:38	-1,52280	0,00000	-1,35850
7:44	-1,52280	0,00000	-1,28300
7:50	-1,96700	0,00000	-1,35850
7:56	-1,96700	0,00000	-1,35850
8:02	-1,84010	0,00000	-1,35850
8:08	-1,64970	0,00000	-1,35850
8:14	-1,39590	0,00000	-1,35850
8:20	-1,71320	0,00000	-1,35850
8:26	-1,14210	0,00000	-1,35850
8:32	-1,07870	0,00000	-1,43400
8:38	-0,88832	0,00000	-1,50940
8:44	-0,88832	0,00000	-1,35850
8:50	0,12690	0,00000	-1,35850
8:56	0,12690	0,00000	-1,43400
9:02	0,00000	0,00000	-1,43400
9:08	-0,28300	0,00000	-1,43400
9:14	-0,45389	0,00000	-1,35850
9:20	-0,56421	0,00000	-1,35850
9:26	-0,32100	0,00000	-1,35850
9:32	-0,28300	0,00000	-1,28300

Time (hh:mm)	DEP-1 Calculated Field, (V/m)	DEP-2 Calculated Field, (V/m)	DEP-3 Calculated Field, (V/m)
9:38	-0,34598	0,00000	-1,28300
9:44	-0,23765	0,00000	-1,28300
9:50	-0,03050	0,00000	-1,20750
9:56	-0,58630	0,00000	-1,20750
10:02	-0,22500	0,00000	-1,20750
10:08	0,96700	0,00000	-1,20750
10:14	-0,53610	0,00000	-1,20750
10:20	1,15740	0,00000	-1,20750
10:26	0,03050	0,00000	-1,20750
10:32	0,61320	0,00000	-1,13210
10:38	0,46700	0,00000	-1,13210
10:44	0,62080	0,00000	-1,13210
10:50	-0,47460	0,00000	-1,13210
10:56	-0,09390	0,00000	-1,13210
11:02	-0,09390	0,00000	-1,13210
11:08	0,41120	0,00000	-1,13210
11:14	-0,90566	0,00000	-0,98113
11:20	-0,90566	0,00000	-0,98113
11:26	-0,90566	0,00000	-1,05660
11:32	-0,90566	0,00000	-0,98113
11:38	-0,96700	0,00000	-0,98113
11:44	0,96700	0,00000	-1,20750
11:50	0,96700	0,00000	-1,13210
11:56	0,53810	0,00000	-1,13210
12:02	0,23050	0,00000	-0,98113
12:08	1,12080	0,00000	-1,13210
12:14	1,85530	0,00000	-0,98113
12:20	0,12690	0,00000	-0,98113
12:26	0,12690	0,00000	-0,98113
12:32	-0,12690	0,00000	-0,98113
12:38	-0,06345	0,00000	0,00000
12:44	-0,06345	0,00000	-0,98113
12:50	-0,06345	0,00000	-0,98113
12:56	0,06345	0,00000	-0,98113
13:02	0,06345	0,00000	-0,98113
13:08	-0,98113	0,00000	-0,98113
13:14	-0,98113	0,00000	-0,98113
13:20	-0,98113	0,00000	-0,98113
13:26	-0,98113	0,00000	-1,13210
13:32	-0,98113	0,00000	-1,20750
13:38	0,00000	0,00000	-1,20750
13:44	-1,28300	0,00000	-1,28300
13:50	-1,13210	0,00000	-1,28300
13:56	-1,20750	0,00000	-1,28300
14:02	-1,28300	0,00000	-1,28300
14:08	-0,32807	0,00000	-1,35850
14:14	-0,45890	0,00000	-1,28300
14:20	0,00000	0,00000	-1,28300
14:26	0,23415	0,00000	-1,28300
14:32	-0,03050	0,00000	-1,28300

Time (hh:mm)	DEP-1 Calculated Field, (V/m)	DEP-2 Calculated Field, (V/m)	DEP-3 Calculated Field, (V/m)
14:38	-0,58630	0,00000	-1,28300
14:44	-0,22500	0,00000	-1,28300
14:50	0,96700	0,00000	-1,28300
14:56	-0,53610	0,00000	-1,28300
15:02	1,15740	0,00000	-1,28300
15:08	0,03050	0,00000	-1,28300
15:14	0,61320	0,00000	-1,20750
15:20	0,46700	0,00000	-1,20750
15:26	0,62080	0,00000	-1,13210
15:32	-0,47460	0,00000	-1,13210
15:38	-0,09390	0,00000	-1,13210
15:44	-0,88832	0,00000	0,00000
15:50	-0,88832	0,00000	0,00000
15:56	0,12690	0,00000	-0,98113
16:02	0,12690	0,00000	-0,98113
16:08	0,00000	0,00000	-0,98113
16:14	-0,28300	0,00000	-0,98113
16:20	-0,45389	0,00000	-0,98113
16:26	-0,56421	0,00000	-0,98113
16:32	-0,32100	0,00000	-0,98113
16:38	-0,28300	0,00000	-0,98113
16:44	-0,34598	0,00000	-0,98113
16:50	-0,23765	0,00000	0,00000
16:56	-0,03050	0,00000	-1,28300
17:02	-0,58630	0,00000	-1,13210
17:08	-0,22500	0,00000	-1,20750
17:14	0,96700	0,00000	-1,28300
17:20	-0,53610	0,00000	-1,28300
17:26	1,15740	0,00000	-1,35850
17:32	0,03050	0,00000	-1,28300
17:38	0,61320	0,00000	-1,28300
17:44	0,46700	0,00000	-1,28300
17:50	0,62080	0,00000	-1,28300
17:56	-1,35850	0,00000	-1,20750
18:02	-0,52830	0,00000	-1,13210
18:08	-0,45283	0,00000	-1,20750
18:14	-0,45283	0,00000	-1,13210
18:20	-0,45283	0,00000	-0,98113
18:26	-0,45283	0,00000	-0,98113
18:32	-0,60377	0,00000	-0,98113
18:38	-0,60377	0,00000	-0,98113
18:44	-0,52830	0,00000	-0,98113
18:50	-0,52830	0,00000	-1,58490
18:56	-0,52830	0,00000	-1,58490
19:02	-0,24802	0,00000	-1,58490
19:08	-0,24802	0,00000	-1,58490
19:14	-0,24802	0,00000	-1,58490
19:20	-0,52830	0,00000	-1,66040
19:26	-0,45283	0,00000	-1,58490
19:32	-0,45283	0,00000	-1,66040

Time (hh:mm)	DEP-1 Calculated Field, (V/m)	DEP-2 Calculated Field, (V/m)	DEP-3 Calculated Field, (V/m)
19:38	-0,45283	0,00000	-1,58490
19:44	0,34598	0,00000	-1,66040
19:50	-0,24802	0,00000	-1,66040
19:56	-0,24802	0,00000	-1,66040
20:02	0,00000	0,00000	-1,66040
20:08	0,00000	0,00000	-1,66040
20:14	0,45768	0,00000	-1,66040
20:20	0,60402	0,00000	-1,66040
20:26	0,60402	0,00000	-1,66040
20:32	-0,24802	0,00000	-1,66040
20:38	-0,52830	0,00000	-1,66040
20:44	-0,45283	0,00000	-1,66040
20:50	-0,45283	0,00000	-1,66040
20:56	-0,78621	0,00000	-1,66040
21:02	-0,54321	0,00000	-1,66040
21:08	-1,35850	0,00000	-1,58490
21:14	-0,52830	0,00000	-1,58490
21:20	-0,45283	0,00000	-1,50940
21:26	-0,45283	0,00000	-1,50940
21:32	-0,45283	0,00000	-1,50940
21:38	-0,45283	0,00000	-1,43400
21:44	-0,60377	0,00000	-1,43400

Time (hh:mm)	DEP-1 Calculated Field, (V/m)	DEP-2 Calculated Field, (V/m)	DEP-3 Calculated Field, (V/m)
21:50	-0,60377	0,00000	-1,35850
21:56	-0,52830	0,00000	-1,35850
22:02	-0,52830	0,00000	-1,35850
22:08	-0,52830	0,00000	-1,28300
22:14	-1,52280	0,00000	-1,28300
22:20	1,39590	0,00000	-1,20750
22:26	-1,84010	0,00000	-1,20750
22:32	-1,84010	0,00000	-1,13210
22:38	1,58630	0,00000	-1,13210
22:44	1,58630	0,00000	-1,05660
22:50	1,64970	0,00000	-1,05660
22:56	1,52280	0,00000	-0,98113
23:02	-1,14210	0,00000	-0,98113
23:08	-1,07870	0,00000	-0,98113
23:14	-1,01520	0,00000	-0,98113
23:20	-0,88832	0,00000	-0,90566
23:26	-0,88832	0,00000	-0,90566
23:32	-0,76142	0,00000	-0,90566
23:38	-0,69797	0,00000	-0,90566
23:44	-0,69797	0,00000	-0,90566
23:50	-0,63452	0,00000	-0,90566
23:56	-0,63452	0,00000	-0,90566

Annex 16. Information from DEP-sensors for 17/04/00

Time (hh:mm)	DEP-1 Calculated Field, (V/m)	DEP-2 Calculated Field, (V/m)	DEP-3 Calculated Field, (V/m)
0:02	-0,63452	0,00000	-0,90566
0:08	-0,57107	0,00000	-0,90566
0:14	-0,44416	0,00000	-0,98113
0:20	-0,50761	0,00000	-0,98113
0:26	-0,44416	0,00000	-0,98113
0:32	-0,44416	0,00000	-0,98113
0:38	-0,44416	0,00000	-0,98113
0:44	-0,44416	0,00000	-0,90566
0:50	-0,44416	0,00000	-0,90566
0:56	-0,44416	0,00000	-0,90566
1:02	-0,44416	0,00000	-0,90566
1:08	-0,31726	0,00000	-0,90566
1:14	-0,76142	0,00000	-0,90566
1:20	-0,50761	0,00000	-0,90566
1:26	-0,57107	0,00000	-0,90566
1:32	-0,63452	0,00000	-0,83019
1:38	-0,50761	0,00000	-0,83019
1:44	-0,63452	0,00000	-0,83019
1:50	0,88832	0,00000	-0,83019
1:56	-0,69797	0,00000	-0,83019
2:02	-0,69797	0,00000	-0,90566
2:08	-0,63452	0,00000	-0,90566
2:14	-0,50761	0,00000	-0,90566
2:20	-0,50761	0,00000	-0,90566
2:26	-0,44416	0,00000	-0,98113
2:32	-0,76142	0,00000	-0,90566
2:38	0,76142	0,00000	-0,98113
2:44	-0,50761	0,00000	-0,98113
2:50	-0,57107	0,00000	-0,75472
2:56	0,00000	0,00000	-0,45283
3:02	-0,63452	0,00000	-0,37736
3:08	-0,63452	0,00000	-0,37736
3:14	-0,76142	0,00000	-0,37736
3:20	-0,95178	0,00000	-0,37736
3:26	-1,07870	0,00000	-0,37736
3:32	-1,07870	0,00000	-0,37736
3:38	-1,20560	0,00000	-0,37736
3:44	-1,20560	0,00000	-0,30189
3:50	-1,20560	0,00000	-0,37736
3:56	-1,26900	0,00000	-0,37736
4:02	-1,26900	0,00000	-0,30189
4:08	-1,26900	0,00000	-0,30189
4:14	-1,26900	0,00000	-0,30189
4:20	-1,26900	0,00000	-0,37736
4:26	6,72590	0,00000	1,81130
4:32	7,17010	0,00000	1,88680
4:38	5,64720	0,00000	1,96230
4:44	-0,82487	0,00000	1,96230

Time (hh:mm)	DEP-1 Calculated Field, (V/m)	DEP-2 Calculated Field, (V/m)	DEP-3 Calculated Field, (V/m)
4:50	7,17010	0,00000	1,96230
4:56	5,01270	0,00000	1,88680
5:02	5,64720	0,00000	1,88680
5:08	5,64720	0,00000	1,88680
5:14	5,64720	0,00000	1,81130
5:20	5,32990	0,00000	1,81130
5:26	5,64720	0,00000	1,73580
5:32	5,32990	0,00000	0,15094
5:38	5,32990	0,00000	1,73580
5:44	5,32990	0,00000	1,66040
5:50	5,32990	0,00000	1,66040
5:56	5,01270	0,00000	1,58490
6:02	5,32990	0,00000	1,58490
6:08	5,32990	0,00000	-0,15094
6:14	5,01270	0,00000	1,58490
6:20	4,69540	0,00000	1,43400
6:26	-1,77660	0,00000	0,30189
6:32	-2,15740	0,00000	-0,60377
6:38	-1,84010	0,00000	-0,83019
6:44	-1,84010	0,00000	-0,90566
6:50	-1,84010	0,00000	-0,90566
6:56	-2,03050	0,00000	-1,05660
7:02	-2,03050	0,00000	-1,13210
7:08	-1,90360	0,00000	-1,13210
7:14	-1,77660	0,00000	-1,13210
7:20	-1,84010	0,00000	-1,13210
7:26	-1,84010	0,00000	-1,13210
7:32	-1,58630	0,00000	-1,20750
7:38	-1,71320	0,00000	-1,13210
7:44	-2,03050	0,00000	-1,20750
7:50	-1,71320	0,00000	-1,13210
7:56	-2,15740	0,00000	-1,20750
8:02	-2,09390	0,00000	-1,20750
8:08	-1,96700	0,00000	-1,20750
8:14	-1,26900	0,00000	-1,20750
8:20	-1,64970	0,00000	-1,28300
8:26	-1,45940	0,00000	-1,28300
8:32	-1,33250	0,00000	-1,28300
8:38	-0,88832	0,00000	-1,28300
8:44	0,82487	0,00000	-1,28300
8:50	0,06345	0,00000	-1,28300
8:56	0,12690	0,00000	-1,20750
9:02	0,12690	0,00000	-1,20750
9:08	-0,06345	0,00000	-1,13210
9:14	0,06345	0,00000	-1,20750
9:20	0,06345	0,00000	-1,13210
9:26	-0,06345	0,00000	-0,98113
9:32	-0,28300	0,00000	-1,13210

Time (hh:mm)	DEP-1 Calculated Field, (V/m)	DEP-2 Calculated Field, (V/m)	DEP-3 Calculated Field, (V/m)
9:38	-0,28300	0,00000	-0,98113
9:44	-1,28300	0,00000	-0,98113
9:50	-1,20750	0,00000	-0,98113
9:56	-0,13210	0,00000	0,00000
10:02	-1,13210	0,00000	-0,90566
10:08	-1,13210	0,00000	-0,90566
10:14	-0,98113	0,00000	-0,90566
10:20	-0,98113	0,00000	-0,90566
10:26	-0,98113	0,00000	-0,90566
10:32	-0,98113	0,00000	-0,90566
10:38	-0,98113	0,00000	-0,90566
10:44	-0,90566	0,00000	-0,90566
10:50	-0,90566	0,00000	-0,83019
10:56	-0,30189	0,00000	-0,90566
11:02	-0,37736	0,00000	-0,90566
11:08	-0,37736	0,00000	-0,90566
11:14	-0,30189	0,00000	-0,90566
11:20	-0,30189	0,00000	-0,90566
11:26	-0,30189	0,00000	-0,98113
11:32	-0,37736	0,00000	-0,90566
11:38	-0,43506	0,00000	-0,90566
11:44	0,00000	0,00000	-0,90566
11:50	0,00342	0,00000	-0,98113
11:56	0,00675	0,00000	-1,05660
12:02	-0,23907	0,00000	-0,98113
12:08	-0,34987	0,00000	-0,98113
12:14	-0,88832	0,00000	0,00000
12:20	0,82487	0,00000	0,00000
12:26	0,06345	0,00000	0,00000
12:32	0,12690	0,00000	0,00000
12:38	0,12690	0,00000	-0,98113
12:44	-0,06345	0,00000	-0,98113
12:50	0,06345	0,00000	-0,98113
12:56	0,06345	0,00000	-0,98113
13:02	-0,06345	0,00000	-1,13210
13:08	0,00000	0,00000	-1,20750
13:14	0,32100	0,00000	-1,20750
13:20	-0,76391	0,00000	-1,20750
13:26	-0,11031	0,00000	-1,20750
13:32	0,00000	0,00000	-1,20750
13:38	0,50623	0,00000	-1,28300
13:44	0,50623	0,00000	-1,28300
13:50	-0,90566	0,00000	-1,28300
13:56	-0,83019	0,00000	-1,35850
14:02	-0,90566	0,00000	-1,35850
14:08	-0,90566	0,00000	-1,35850
14:14	-0,90566	0,00000	-1,43400
14:20	-0,90566	0,00000	-1,43400
14:26	-0,90566	0,00000	-1,43400
14:32	-0,98113	0,00000	-1,43400

Time (hh:mm)	DEP-1 Calculated Field, (V/m)	DEP-2 Calculated Field, (V/m)	DEP-3 Calculated Field, (V/m)
14:38	-0,90566	0,00000	-1,43400
14:44	-0,90566	0,00000	-1,43400
14:50	-0,90566	0,00000	-1,43400
14:56	-0,98113	0,00000	-1,43400
15:02	-1,05660	0,00000	-1,43400
15:08	1,58490	0,00000	-1,35850
15:14	1,58490	0,00000	-1,35850
15:20	-0,15094	0,00000	-1,28300
15:26	1,58490	0,00000	-1,20750
15:32	1,43400	0,00000	-1,20750
15:38	0,30189	0,00000	-1,13210
15:44	-1,33250	0,00000	-1,13210
15:50	-0,88832	0,00000	-1,20750
15:56	0,82487	0,00000	-1,13210
16:02	0,06345	0,00000	-1,13210
16:08	0,12690	0,00000	-1,13210
16:14	0,12690	0,00000	-1,13210
16:20	-0,06345	0,00000	-1,13210
16:26	0,06345	0,00000	-1,13210
16:32	0,12907	0,00000	0,00000
16:38	0,12907	0,00000	-1,05660
16:44	0,00000	0,00000	-1,05660
16:50	-1,35850	0,00000	-1,05660
16:56	-1,35850	0,00000	-1,05660
17:02	-1,28300	0,00000	0,00000
17:08	-1,20750	0,00000	-0,98113
17:14	-1,20750	0,00000	-1,05660
17:20	-1,13210	0,00000	-0,98113
17:26	-0,90711	0,00000	-0,98113
17:32	-0,90711	0,00000	-0,98113
17:38	-0,90711	0,00000	-1,05660
17:44	-0,88832	0,00000	-1,13210
17:50	0,82487	0,00000	-1,13210
17:56	0,06345	0,00000	-1,13210
18:02	0,12690	0,00000	-1,13210
18:08	0,12690	0,00000	-1,20750
18:14	-0,06345	0,00000	-0,98113
18:20	0,06345	0,00000	-1,20750
18:26	0,06345	0,00000	-1,20750
18:32	-0,06345	0,00000	-1,20750
18:38	1,58490	0,00000	-1,20750
18:44	1,58490	0,00000	-1,20750
18:50	-0,15094	0,00000	-1,66040
18:56	1,58490	0,00000	-1,58490
19:02	1,43400	0,00000	-1,58490
19:08	0,30189	0,00000	-1,66040
19:14	0,00234	0,00000	-1,58490
19:20	-0,60721	0,00000	-1,58490
19:26	-0,60721	0,00000	-1,58490
19:32	-0,88832	0,00000	-1,58490

Time (hh:mm)	DEP-1 Calculated Field, (V/m)	DEP-2 Calculated Field, (V/m)	DEP-3 Calculated Field, (V/m)
19:38	0,82487	0,00000	-1,58490
19:44	0,06345	0,00000	-1,58490
19:50	-0,40511	0,00000	-1,58490
19:56	-0,40511	0,00000	-1,50940
20:02	-0,88832	0,00000	-1,58490
20:08	0,82487	0,00000	-1,50940
20:14	0,06345	0,00000	-1,50940
20:20	0,12690	0,00000	-1,50940
20:26	0,12690	0,00000	-1,50940
20:32	-0,06345	0,00000	-1,50940
20:38	0,06345	0,00000	-1,50940
20:44	0,06345	0,00000	-1,50940
20:50	-0,06345	0,00000	-1,50940
20:56	0,00000	0,00000	-1,43400
21:02	0,70842	0,00000	-1,43400
21:08	1,39590	0,00000	-1,35850
21:14	1,45940	0,00000	-1,35850
21:20	0,82487	0,00000	-1,28300
21:26	0,69797	0,00000	-1,28300
21:32	-0,82487	0,00000	-1,28300
21:38	-0,76142	0,00000	-1,28300
21:44	-0,88832	0,00000	-1,28300

Time (hh:mm)	DEP-1 Calculated Field, (V/m)	DEP-2 Calculated Field, (V/m)	DEP-3 Calculated Field, (V/m)
21:50	-0,63452	0,00000	-1,20750
21:56	-0,29845	0,00000	-1,13210
22:02	0,34980	0,00000	-1,13210
22:08	0,45120	0,00000	-1,13210
22:14	0,98113	0,00000	-0,98113
22:20	1,01520	0,00000	-0,98113
22:26	-1,52280	0,00000	-0,98113
22:32	1,20560	0,00000	-0,98113
22:38	1,01520	0,00000	-0,98113
22:44	-1,20560	0,00000	-0,90566
22:50	1,33250	0,00000	-0,90566
22:56	1,39590	0,00000	-0,90566
23:02	1,45940	0,00000	-0,90566
23:08	0,82487	0,00000	-0,83019
23:14	0,69797	0,00000	-0,83019
23:20	-0,82487	0,00000	-0,75472
23:26	-0,76142	0,00000	-0,67925
23:32	-0,88832	0,00000	-0,83019
23:38	-0,63452	0,00000	-0,67925
23:44	-0,57107	0,00000	-0,67925
23:50	-0,50761	0,00000	-0,67925
23:56	-0,57107	0,00000	-0,67925

Annex 17. Information from DEP-sensors for 18/04/00

Time (hh:mm)	DEP-1 Calculated Field, (V/m)	DEP-2 Calculated Field, (V/m)	DEP-3 Calculated Field, (V/m)
0:02	-0,63452	0,00000	-0,75472
0:08	-0,44416	0,00000	-0,67925
0:14	-0,38071	0,00000	-0,83019
0:20	-0,44416	0,00000	-0,90566
0:26	-0,44416	0,00000	-0,83019
0:32	-0,38071	0,00000	-0,90566
0:38	-0,31726	0,00000	-0,83019
0:44	-0,38071	0,00000	-0,83019
0:50	-0,44416	0,00000	-0,75472
0:56	-0,38071	0,00000	-0,67925
1:02	-0,44416	0,00000	-0,67925
1:08	-0,76142	0,00000	-0,67925
1:14	-0,50761	0,00000	-0,67925
1:20	-0,44416	0,00000	-0,67925
1:26	-0,57107	0,00000	-0,67925
1:32	-0,57107	0,00000	-0,60377
1:38	-0,57107	0,00000	-0,60377
1:44	-0,69797	0,00000	-0,67925
1:50	-0,69797	0,00000	-0,67925
1:56	-0,69797	0,00000	-0,67925
2:02	-0,63452	0,00000	-0,67925
2:08	-0,69797	0,00000	-0,75472
2:14	-0,63452	0,00000	-0,83019
2:20	0,76142	0,00000	-0,90566
2:26	-0,38071	0,00000	-0,90566
2:32	-0,44416	0,00000	-0,90566
2:38	-0,38071	0,00000	-0,90566
2:44	-0,44416	0,00000	-0,90566
2:50	-0,57107	0,00000	-0,83019
2:56	-0,57107	0,00000	-0,37736
3:02	-0,63452	0,00000	-0,30189
3:08	-0,63452	0,00000	-0,30189
3:14	-0,76142	0,00000	-0,30189
3:20	-0,95178	0,00000	-0,22642
3:26	-1,01520	0,00000	-0,22642
3:32	-1,07870	0,00000	-0,22642
3:38	-1,14210	0,00000	-0,22642
3:44	-1,14210	0,00000	-0,22642
3:50	-1,14210	0,00000	-0,30189
3:56	-1,20560	0,00000	-0,22642
4:02	-1,20560	0,00000	-0,22642
4:08	-1,26900	0,00000	-0,30189
4:14	-1,26900	0,00000	-0,30189
4:20	5,01270	0,00000	1,20750
4:26	5,32990	0,00000	1,88680
4:32	5,32990	0,00000	2,11320
4:38	5,32990	0,00000	2,11320
4:44	5,32990	0,00000	2,11320

Time (hh:mm)	DEP-1 Calculated Field, (V/m)	DEP-2 Calculated Field, (V/m)	DEP-3 Calculated Field, (V/m)
4:50	5,32990	0,00000	2,03770
4:56	5,64720	0,00000	2,11320
5:02	5,64720	0,00000	2,03770
5:08	5,96450	0,00000	2,03770
5:14	5,96450	0,00000	2,03770
5:20	5,96450	0,00000	2,03770
5:26	5,32990	0,00000	1,96230
5:32	5,01270	0,00000	1,96230
5:38	4,56850	0,00000	2,03770
5:44	4,69540	0,00000	1,88680
5:50	4,44160	0,00000	1,88680
5:56	4,69540	0,00000	-0,15094
6:02	5,64720	0,00000	1,81130
6:08	5,96450	0,00000	1,81130
6:14	5,32990	0,00000	1,73580
6:20	2,03050	0,00000	0,90566
6:26	-1,58630	0,00000	0,37736
6:32	-2,66500	0,00000	-0,30189
6:38	1,96700	0,00000	-0,45283
6:44	-2,53810	0,00000	-0,52830
6:50	2,15740	0,00000	-0,60377
6:56	2,03050	0,00000	-0,60377
7:02	1,71320	0,00000	-0,67925
7:08	1,96700	0,00000	-0,75472
7:14	2,22080	0,00000	-0,83019
7:20	-2,47460	0,00000	-0,83019
7:26	-2,09390	0,00000	-0,83019
7:32	-2,09390	0,00000	-0,83019
7:38	2,41120	0,00000	-0,90566
7:44	-1,84010	0,00000	-0,90566
7:50	-1,52280	0,00000	-0,90566
7:56	-1,77660	0,00000	-0,90566
8:02	-1,71320	0,00000	-0,90566
8:08	-1,96700	0,00000	-0,90566
8:14	1,96700	0,00000	-0,90566
8:20	1,96700	0,00000	0,00000
8:26	2,53810	0,00000	-0,90566
8:32	2,03050	0,00000	-0,98113
8:38	2,22080	0,00000	-0,98113
8:44	2,85530	0,00000	-0,98113
8:50	0,12690	0,00000	-0,90566
8:56	0,12690	0,00000	-0,90566
9:02	-0,12690	0,00000	-0,90566
9:08	-0,06345	0,00000	-0,90566
9:14	-0,06345	0,00000	-0,90566
9:20	-0,06345	0,00000	-0,90566
9:26	0,06345	0,00000	-0,83019
9:32	0,06345	0,00000	-0,90566

Time (hh:mm)	DEP-1 Calculated Field, (V/m)	DEP-2 Calculated Field, (V/m)	DEP-3 Calculated Field, (V/m)
9:38	0,06345	0,00000	-0,83019
9:44	0,06345	0,00000	-0,83019
9:50	0,06345	0,00000	-0,83019
9:56	0,06345	0,00000	-0,83019
10:02	0,06345	0,00000	-0,83019
10:08	-0,57107	0,00000	-0,75472
10:14	-0,57107	0,00000	-0,83019
10:20	-0,63452	0,00000	-0,75472
10:26	-0,63452	0,00000	-0,83019
10:32	-0,76142	0,00000	-0,75472
10:38	-0,45178	0,00000	-0,75472
10:44	-0,23410	0,00000	-0,75472
10:50	-0,06345	0,00000	-0,75472
10:56	0,00000	0,00000	-0,75472
11:02	-0,06345	0,00000	-0,75472
11:08	0,90566	0,00000	-0,75472
11:14	0,37736	0,00000	-0,75472
11:20	-0,30189	0,00000	-0,75472
11:26	-0,45283	0,00000	-0,75472
11:32	-0,52830	0,00000	-0,75472
11:38	-0,60377	0,00000	-0,83019
11:44	-0,60377	0,00000	-0,83019
11:50	-0,67925	0,00000	-0,83019
11:56	-0,75472	0,00000	-0,83019
12:02	-0,83019	0,00000	-0,90566
12:08	-0,83019	0,00000	-0,83019
12:14	-0,83019	0,00000	-0,90566
12:20	-0,83019	0,00000	-0,90566
12:26	-0,90566	0,00000	-0,90566
12:32	-0,90566	0,00000	-0,90566
12:38	-0,90566	0,00000	-1,13210
12:44	-0,90566	0,00000	-0,90566
12:50	-0,90566	0,00000	-0,98113
12:56	-0,90566	0,00000	-0,90566
13:02	-0,38071	0,00000	-0,90566
13:08	-0,44416	0,00000	0,00000
13:14	-0,38071	0,00000	-0,98113
13:20	-0,44416	0,00000	-0,98113
13:26	-0,57107	0,00000	-0,98113
13:32	-0,57107	0,00000	-0,98113
13:38	-0,63452	0,00000	-1,13210
13:44	-0,63452	0,00000	-0,98113
13:50	-0,76142	0,00000	-0,98113
13:56	-0,95178	0,00000	-1,20750
14:02	-0,98113	0,00000	-1,20750
14:08	-0,98113	0,00000	-1,20750
14:14	-0,98113	0,00000	-1,28300
14:20	-0,98113	0,00000	-1,28300
14:26	-0,98113	0,00000	-1,28300
14:32	-0,98113	0,00000	-1,28300

Time (hh:mm)	DEP-1 Calculated Field, (V/m)	DEP-2 Calculated Field, (V/m)	DEP-3 Calculated Field, (V/m)
14:38	-0,98113	0,00000	-1,28300
14:44	-0,98113	0,00000	-1,28300
14:50	-0,98113	0,00000	-1,28300
14:56	-0,98113	0,00000	-1,20750
15:02	-0,98113	0,00000	-1,20750
15:08	-0,98113	0,00000	-1,20750
15:14	-0,98113	0,00000	-1,13210
15:20	-0,98113	0,00000	-1,13210
15:26	-0,98113	0,00000	-0,98113
15:32	-0,98113	0,00000	-0,98113
15:38	-0,98113	0,00000	-0,98113
15:44	-0,98113	0,00000	-0,98113
15:50	-0,98113	0,00000	0,00000
15:56	-1,13210	0,00000	-0,90566
16:02	-0,98113	0,00000	-0,98113
16:08	-0,98113	0,00000	-0,90566
16:14	-1,66040	0,00000	-0,90566
16:20	-0,63452	0,00000	-0,98113
16:26	-0,44416	0,00000	-0,98113
16:32	-0,38071	0,00000	-0,98113
16:38	-0,44416	0,00000	-0,98113
16:44	-0,44416	0,00000	-0,98113
16:50	-0,38071	0,00000	-0,98113
16:56	-0,31726	0,00000	-0,98113
17:02	-0,38071	0,00000	-0,98113
17:08	-0,44416	0,00000	-0,98113
17:14	-0,38071	0,00000	-0,98113
17:20	-0,44416	0,00000	-0,98113
17:26	-0,76142	0,00000	-0,98113
17:32	-0,50761	0,00000	-0,98113
17:38	-0,44416	0,00000	-0,98113
17:44	-0,57107	0,00000	-0,98113
17:50	-0,57107	0,00000	-0,98113
17:56	-0,98113	0,00000	-0,98113
18:02	-1,13210	0,00000	-0,98113
18:08	-0,98113	0,00000	-0,98113
18:14	-0,98113	0,00000	-0,98113
18:20	-1,66040	0,00000	-0,98113
18:26	-0,63452	0,00000	-0,98113
18:32	-0,44416	0,00000	-1,13210
18:38	-0,38071	0,00000	-0,98113
18:44	-1,13210	0,00000	-0,98113
18:50	-0,98113	0,00000	-1,66040
18:56	-0,98113	0,00000	-1,58490
19:02	-0,34211	0,00000	-1,58490
19:08	0,67111	0,00000	-1,58490
19:14	0,00321	0,00000	-1,66040
19:20	0,00321	0,00000	-1,66040
19:26	0,06345	0,00000	-1,66040
19:32	0,06345	0,00000	-1,58490

Time (hh:mm)	DEP-1 Calculated Field, (V/m)	DEP-2 Calculated Field, (V/m)	DEP-3 Calculated Field, (V/m)
19:38	-0,06345	0,00000	-1,58490
19:44	-0,12690	0,00000	-1,58490
19:50	-0,50643	0,00000	-1,58490
19:56	-0,50643	0,00000	-1,58490
20:02	-0,44416	0,00000	-1,58490
20:08	-0,38071	0,00000	-1,58490
20:14	-0,44416	0,00000	-1,58490
20:20	-0,44416	0,00000	-1,58490
20:26	-0,38071	0,00000	-1,58490
20:32	-0,31726	0,00000	-1,66040
20:38	-0,38071	0,00000	-1,66040
20:44	-0,44416	0,00000	-1,58490
20:50	-0,38071	0,00000	-1,58490
20:56	-0,44416	0,00000	-1,58490
21:02	-0,76142	0,00000	-1,58490
21:08	-0,98113	0,00000	-1,58490
21:14	-0,98113	0,00000	-1,58490
21:20	-1,13210	0,00000	-1,58490
21:26	-0,98113	0,00000	-1,50940
21:32	-0,98113	0,00000	-1,50940
21:38	-0,34211	0,00000	-1,35850
21:44	0,00000	0,00000	-1,35850

Time (hh:mm)	DEP-1 Calculated Field, (V/m)	DEP-2 Calculated Field, (V/m)	DEP-3 Calculated Field, (V/m)
21:50	0,00321	0,00000	-1,35850
21:56	0,00321	0,00000	-1,28300
22:02	0,06345	0,00000	-1,50940
22:08	0,06345	0,00000	-1,58490
22:14	-0,06345	0,00000	-1,66040
22:20	-0,12690	0,00000	-1,50940
22:26	0,06345	0,00000	-1,43400
22:32	-0,06345	0,00000	-1,35850
22:38	-1,52280	0,00000	-1,43400
22:44	-1,33250	0,00000	-1,43400
22:50	-1,77660	0,00000	-1,20750
22:56	-2,53810	0,00000	-1,20750
23:02	-2,09390	0,00000	-1,13210
23:08	1,77660	0,00000	-1,05660
23:14	-2,09390	0,00000	-1,05660
23:20	-2,03050	0,00000	-0,98113
23:26	1,77660	0,00000	-0,98113
23:32	-1,71320	0,00000	-0,98113
23:38	1,71320	0,00000	-0,98113
23:44	1,96700	0,00000	-0,98113
23:50	-2,09390	0,00000	-0,98113
23:56	1,90360	0,00000	-0,98113

Annex 18. Information from DEP-sensors for 22/04/00

Time (hh:mm)	DEP-1 Calculated Field, (V/m)	DEP-2 Calculated Field, (V/m)	DEP-3 Calculated Field, (V/m)
0:04	-0,57107	0,00000	-1,13210
0:10	-0,50761	0,00000	-1,13210
0:16	-0,50761	0,00000	-1,13210
0:22	-0,44416	0,00000	-1,05660
0:28	-0,44416	0,00000	-0,98113
0:34	-0,38071	0,00000	-0,98113
0:40	-0,38071	0,00000	-0,90566
0:46	-0,38071	0,00000	-0,98113
0:52	-0,38071	0,00000	-0,90566
0:58	0,44416	0,00000	-0,90566
1:04	-0,44416	0,00000	-0,75472
1:10	-0,82487	0,00000	-0,67925
1:16	-0,44416	0,00000	-0,67925
1:22	-0,50761	0,00000	-0,67925
1:28	-0,50761	0,00000	-0,67925
1:34	-0,63452	0,00000	-0,67925
1:40	0,82487	0,00000	-0,67925
1:46	-0,69797	0,00000	-0,67925
1:52	0,69797	0,00000	-0,67925
1:58	0,76142	0,00000	-0,67925
2:04	-0,69797	0,00000	-0,75472
2:10	-0,69797	0,00000	-0,75472
2:16	-0,50761	0,00000	-0,83019
2:22	-0,44416	0,00000	-0,83019
2:28	-0,44416	0,00000	-0,90566
2:34	-0,44416	0,00000	-0,90566
2:40	-0,50761	0,00000	-0,90566
2:46	-0,50761	0,00000	-0,83019
2:52	-0,44416	0,00000	-0,30189
2:58	-0,57107	0,00000	-0,22642
3:04	-0,57107	0,00000	-0,22642
3:10	-0,76142	0,00000	-0,22642
3:16	-0,76142	0,00000	-0,22642
3:22	-0,95178	0,00000	0,30189
3:28	-1,07870	0,00000	-0,37736
3:34	-1,07870	0,00000	-0,45283
3:40	-1,14210	0,00000	-0,45283
3:46	-1,14210	0,00000	0,37736
3:52	-1,20560	0,00000	0,37736
3:58	-1,14210	0,00000	0,37736
4:04	-1,14210	0,00000	0,37736
4:10	-1,20560	0,00000	-0,37736
4:16	-1,20560	0,00000	0,37736
4:22	-1,26900	0,00000	0,37736
4:28	-1,26900	0,00000	-0,37736
4:34	-1,26900	0,00000	-0,37736
4:40	-1,33250	0,00000	-0,37736
4:46	-1,33250	0,00000	-0,37736

Time (hh:mm)	DEP-1 Calculated Field, (V/m)	DEP-2 Calculated Field, (V/m)	DEP-3 Calculated Field, (V/m)
4:52	-1,33250	0,00000	-0,30189
4:58	-1,39590	0,00000	-0,30189
5:04	-1,39590	0,00000	-0,30189
5:10	-1,45940	0,00000	-0,30189
5:16	-1,45940	0,00000	-0,30189
5:22	-1,45940	0,00000	-0,37736
5:28	-1,45940	0,00000	-0,30189
5:34	-1,52280	0,00000	-0,30189
5:40	-1,52280	0,00000	-0,30189
5:46	-1,52280	0,00000	-0,30189
5:52	-1,52280	0,00000	-0,30189
5:58	-1,58630	0,00000	-0,30189
6:04	-1,64970	0,00000	-0,30189
6:10	-1,58630	0,00000	-0,30189
6:16	-1,64970	0,00000	-0,30189
6:22	-1,71320	0,00000	-0,30189
6:28	-2,09390	0,00000	-0,30189
6:34	-1,64970	0,00000	-0,37736
6:40	-1,58630	0,00000	-0,37736
6:46	-1,58630	0,00000	-0,37736
6:52	-1,71320	0,00000	-0,37736
6:58	-1,71320	0,00000	-0,37736
7:04	-1,71320	0,00000	-0,37736
7:10	-1,64970	0,00000	-0,37736
7:16	-1,64970	0,00000	-0,37736
7:22	-1,64970	0,00000	-0,37736
7:28	-1,58630	0,00000	-0,45283
7:34	-1,58630	0,00000	-0,45283
7:40	-1,58630	0,00000	-0,45283
7:46	-1,58630	0,00000	-0,45283
7:52	-2,03050	0,00000	-0,45283
7:58	-1,58630	0,00000	-0,45283
8:04	-1,33250	0,00000	-0,45283
8:10	-1,58630	0,00000	-0,45283
8:16	-1,52280	0,00000	-0,45283
8:22	-1,26900	0,00000	-0,52830
8:28	-1,01520	0,00000	-0,52830
8:34	0,44416	0,00000	-0,52830
8:40	-0,21352	0,00000	-0,60377
8:46	-0,14235	0,00000	-0,60377
8:52	-0,14235	0,00000	-0,60377
8:58	0,14235	0,00000	-0,60377
9:04	0,14235	0,00000	-0,60377
9:10	0,21352	0,00000	-0,60377
9:16	-0,28470	0,00000	-0,52830
9:22	0,14235	0,00000	-0,52830
9:28	0,28470	0,00000	-0,52830
9:34	0,21352	0,00000	-0,45283

Time (hh:mm)	DEP-1 Calculated Field, (V/m)	DEP-2 Calculated Field, (V/m)	DEP-3 Calculated Field, (V/m)
9:40	0,28470	0,00000	-0,52830
9:46	0,56940	0,00000	-0,52830
9:52	-0,21352	0,00000	-0,52830
9:58	-0,14235	0,00000	-0,45283
10:04	-0,14235	0,00000	-0,45283
10:10	0,14235	0,00000	-0,45283
10:16	0,14235	0,00000	-0,52830
10:22	0,21352	0,00000	-0,52830
10:28	-0,28470	0,00000	-0,52830
10:34	0,14235	0,00000	-0,60377
10:40	0,28470	0,00000	-0,60377
10:46	0,21352	0,00000	-0,52830
10:52	0,28470	0,00000	-0,60377
10:58	0,56940	0,00000	-0,52830
11:04	-0,15094	0,00000	-0,60377
11:10	-0,15094	0,00000	-0,60377
11:16	-0,15094	0,00000	-0,67925
11:22	-0,15094	0,00000	-0,60377
11:28	-0,15094	0,00000	-0,67925
11:34	-0,15094	0,00000	-0,67925
11:40	-0,15094	0,00000	-0,67925
11:46	-0,15094	0,00000	-0,67925
11:52	-0,15094	0,00000	-0,60377
11:58	-0,15094	0,00000	-0,67925
12:04	-0,15094	0,00000	-0,67925
12:10	-0,22642	0,00000	-0,67925
12:16	-0,22642	0,00000	-0,67925
12:22	-0,22642	0,00000	-0,67925
12:28	-0,22642	0,00000	-0,75472
12:34	-0,22642	0,00000	-0,75472
12:40	2,87096	0,00000	-0,60377
12:46	3,08345	0,00000	-0,07547
12:52	3,08345	0,00000	0,98113
12:58	2,87096	0,00000	0,90566
13:04	2,98065	0,00000	0,60377
13:10	3,08345	0,00000	0,45283
13:16	2,98065	0,00000	-0,45283
13:22	2,87096	0,00000	-0,45283
13:28	3,08345	0,00000	-0,45283
13:34	3,11045	0,00000	-0,52830
13:40	3,08345	0,00000	-1,05660
13:46	-0,21352	0,00000	-1,28300
13:52	-0,14235	0,00000	-1,35850
13:58	-0,14235	0,00000	-1,35850
14:04	0,14235	0,00000	-1,35850
14:10	0,14235	0,00000	-1,35850
14:16	0,21352	0,00000	-1,35850
14:22	-0,28470	0,00000	-1,28300
14:28	0,14235	0,00000	-1,28300
14:34	0,28470	0,00000	-1,28300

Time (hh:mm)	DEP-1 Calculated Field, (V/m)	DEP-2 Calculated Field, (V/m)	DEP-3 Calculated Field, (V/m)
14:40	0,21352	0,00000	-1,20750
14:46	0,28470	0,00000	-1,28300
14:52	0,56940	0,00000	-1,28300
14:58	-0,15094	0,00000	-1,20750
15:04	-0,15094	0,00000	-1,20750
15:10	-0,15094	0,00000	-1,13210
15:16	-0,15094	0,00000	-0,90566
15:22	-0,15094	0,00000	0,00000
15:28	-0,15094	0,00000	-0,98113
15:34	-0,15094	0,00000	-0,90566
15:40	-0,15094	0,00000	-0,90566
15:46	-0,15094	0,00000	-0,90566
15:52	-0,15094	0,00000	-0,90566
15:58	-0,15094	0,00000	-0,90566
16:04	-0,22642	0,00000	-0,90566
16:10	-0,22642	0,00000	-0,90566
16:16	-0,22642	0,00000	-0,83019
16:22	-0,22642	0,00000	-0,83019
16:28	-0,22642	0,00000	-0,83019
16:34	-0,07547	0,00000	-0,90566
16:40	-0,07547	0,00000	-0,90566
16:46	-0,15094	0,00000	-0,90566
16:52	0,07547	0,00000	-0,90566
16:58	-0,07547	0,00000	-0,90566
17:04	0,15094	0,00000	-0,90566
17:10	0,15094	0,00000	-0,90566
17:16	0,15094	0,00000	-0,90566
17:22	-0,15094	0,00000	-0,90566
17:28	-0,21352	0,00000	-0,90566
17:34	-0,14235	0,00000	-0,98113
17:40	-0,14235	0,00000	-0,90566
17:46	0,14235	0,00000	-0,90566
17:52	0,14235	0,00000	-0,98113
17:58	0,21352	0,00000	-1,13210
18:04	-0,28470	0,00000	-0,98113
18:10	0,14235	0,00000	0,00000
18:16	0,28470	0,00000	-0,98113
18:22	0,21352	0,00000	-0,98113
18:28	0,28470	0,00000	-0,98113
18:34	0,56940	0,00000	-1,05660
18:40	-0,21352	0,00000	-1,05660
18:46	-0,14235	0,00000	-1,58490
18:52	-0,14235	0,00000	-1,50940
18:58	0,14235	0,00000	-1,50940
19:04	0,14235	0,00000	-1,50940
19:10	0,21352	0,00000	-1,50940
19:16	-0,28470	0,00000	-1,43400
19:22	0,14235	0,00000	-1,50940
19:28	0,28470	0,00000	-1,43400
19:34	0,21352	0,00000	-1,43400

Time (hh:mm)	DEP-1 Calculated Field, (V/m)	DEP-2 Calculated Field, (V/m)	DEP-3 Calculated Field, (V/m)
19:40	0,28470	0,00000	-1,43400
19:46	0,56940	0,00000	-1,35850
19:52	-0,07547	0,00000	-1,35850
19:58	-0,07547	0,00000	-1,43400
20:04	-0,15094	0,00000	-1,35850
20:10	0,07547	0,00000	-1,43400
20:16	-0,07547	0,00000	-1,35850
20:22	0,15094	0,00000	-1,35850
20:28	0,15094	0,00000	-1,35850
20:34	0,15094	0,00000	-1,35850
20:40	-0,15094	0,00000	-1,35850
20:46	-0,21352	0,00000	-1,35850
20:52	-0,14235	0,00000	-1,35850
20:58	-0,14235	0,00000	-1,35850
21:04	0,14235	0,00000	-1,28300
21:10	0,14235	0,00000	-1,28300
21:16	0,21352	0,00000	-1,28300
21:22	-0,28470	0,00000	-1,28300
21:28	0,14235	0,00000	-1,20750
21:34	0,28470	0,00000	-1,20750
21:40	0,21352	0,00000	-1,20750
21:46	0,28470	0,00000	-1,13210

Time (hh:mm)	DEP-1 Calculated Field, (V/m)	DEP-2 Calculated Field, (V/m)	DEP-3 Calculated Field, (V/m)
21:52	0,56940	0,00000	-1,13210
21:58	-0,21352	0,00000	-1,13210
22:04	-0,14235	0,00000	-1,13210
22:10	-0,14235	0,00000	-1,13210
22:16	0,14235	0,00000	-1,13210
22:22	0,14235	0,00000	-1,13210
22:28	0,21352	0,00000	-1,13210
22:34	-0,28470	0,00000	-1,20750
22:40	0,14235	0,00000	-1,50940
22:46	0,28470	0,00000	-1,58490
22:52	0,21352	0,00000	-1,66040
22:58	0,21352	0,00000	-1,73580
23:04	0,21352	0,00000	-1,73580
23:10	-0,21352	0,00000	-1,73580
23:16	-0,21352	0,00000	-1,66040
23:22	-1,52280	0,00000	-1,50940
23:28	-1,71320	0,00000	-1,43400
23:34	-1,20560	0,00000	-1,35850
23:40	-1,01520	0,00000	-1,28300
23:46	-0,88832	0,00000	-1,28300
23:52	-0,69797	0,00000	-1,28300
23:58	-0,63452	0,00000	-1,28300

Annex 19. Information from DEP-sensors for 23/04/00

Time (hh:mm)	DEP-1 Calculated Field, (V/m)	DEP-2 Calculated Field, (V/m)	DEP-3 Calculated Field, (V/m)
0:04	-0,57107	0,00000	-1,20750
0:10	-0,50761	0,00000	-1,20750
0:16	-0,44416	0,00000	-1,13210
0:22	-0,38071	0,00000	-0,98113
0:28	-0,44416	0,00000	-0,90566
0:34	-0,31726	0,00000	-0,83019
0:40	-0,38071	0,00000	-0,83019
0:46	-0,38071	0,00000	-0,67925
0:52	-0,50761	0,00000	-0,67925
0:58	-0,44416	0,00000	-0,67925
1:04	-0,76142	0,00000	-0,67925
1:10	-0,76142	0,00000	-0,67925
1:16	0,76142	0,00000	-0,60377
1:22	0,63452	0,00000	-0,60377
1:28	-0,69797	0,00000	-0,60377
1:34	-0,63452	0,00000	-0,60377
1:40	-0,69797	0,00000	-0,60377
1:46	-0,82487	0,00000	-0,60377
1:52	-0,88832	0,00000	-0,67925
1:58	-0,63452	0,00000	-0,67925
2:04	-0,63452	0,00000	-0,75472
2:10	-0,57107	0,00000	-0,75472
2:16	-0,82487	0,00000	-0,83019
2:22	-0,82487	0,00000	-0,83019
2:28	-0,44416	0,00000	-0,90566
2:34	-0,44416	0,00000	-0,90566
2:40	-0,76142	0,00000	-0,90566
2:46	-0,57107	0,00000	-0,83019
2:52	-0,76142	0,00000	-0,37736
2:58	-0,50761	0,00000	-0,22642
3:04	-0,63452	0,00000	-0,22642
3:10	-0,69797	0,00000	-0,22642
3:16	-0,88832	0,00000	-0,22642
3:22	-0,95178	0,00000	0,37736
3:28	-1,01520	0,00000	-0,37736
3:34	-1,07870	0,00000	0,45283
3:40	-1,07870	0,00000	0,37736
3:46	-1,20560	0,00000	0,37736
3:52	-1,14210	0,00000	0,37736
3:58	-1,14210	0,00000	0,37736
4:04	-1,20560	0,00000	0,37736
4:10	-1,20560	0,00000	0,37736
4:16	-1,26900	0,00000	-0,37736
4:22	-1,20560	0,00000	0,37736
4:28	-1,26900	0,00000	0,37736
4:34	-1,26900	0,00000	-0,37736
4:40	-1,26900	0,00000	-0,22642
4:46	-1,33250	0,00000	0,37736

Time (hh:mm)	DEP-1 Calculated Field, (V/m)	DEP-2 Calculated Field, (V/m)	DEP-3 Calculated Field, (V/m)
4:52	-1,33250	0,00000	0,37736
4:58	-1,33250	0,00000	-0,37736
5:04	-1,45940	0,00000	-0,30189
5:10	-1,39590	0,00000	0,30189
5:16	-1,45940	0,00000	-0,37736
5:22	-1,45940	0,00000	-0,30189
5:28	-1,45940	0,00000	-0,30189
5:34	-1,45940	0,00000	-0,30189
5:40	-1,52280	0,00000	-0,30189
5:46	-1,45940	0,00000	-0,30189
5:52	-1,58630	0,00000	-0,30189
5:58	-1,52280	0,00000	-0,30189
6:04	-1,58630	0,00000	-0,30189
6:10	-1,96700	0,00000	-0,37736
6:16	-1,52280	0,00000	-0,30189
6:22	-1,64970	0,00000	-0,30189
6:28	-1,52280	0,00000	-0,30189
6:34	-1,52280	0,00000	-0,30189
6:40	-1,64970	0,00000	-0,30189
6:46	-1,71320	0,00000	-0,30189
6:52	-1,64970	0,00000	-0,30189
6:58	-1,52280	0,00000	-0,37736
7:04	-1,90360	0,00000	-0,37736
7:10	-1,84010	0,00000	-0,37736
7:16	-1,64970	0,00000	-0,37736
7:22	-1,64970	0,00000	-0,37736
7:28	-1,58630	0,00000	-0,37736
7:34	-1,45940	0,00000	-0,37736
7:40	-1,84010	0,00000	-0,37736
7:46	-1,58630	0,00000	-0,45283
7:52	-1,45940	0,00000	-0,45283
7:58	-1,58630	0,00000	-0,45283
8:04	-1,58630	0,00000	-0,45283
8:10	-1,07870	0,00000	-0,45283
8:16	-1,39590	0,00000	-0,45283
8:22	-1,33250	0,00000	-0,52830
8:28	-0,95178	0,00000	-0,52830
8:34	-0,38071	0,00000	-0,52830
8:40	-0,31726	0,00000	-0,52830
8:46	-0,38071	0,00000	-0,52830
8:52	-0,38071	0,00000	-0,52830
8:58	-0,50761	0,00000	-0,52830
9:04	-0,44416	0,00000	-0,52830
9:10	-0,76142	0,00000	-0,52830
9:16	-0,76142	0,00000	-0,52830
9:22	0,76142	0,00000	-0,45283
9:28	0,63452	0,00000	-0,45283
9:34	-0,69797	0,00000	-0,45283

Time (hh:mm)	DEP-1 Calculated Field, (V/m)	DEP-2 Calculated Field, (V/m)	DEP-3 Calculated Field, (V/m)
9:40	-0,63452	0,00000	-0,45283
9:46	-0,69797	0,00000	-0,45283
9:52	-0,82487	0,00000	-0,45283
9:58	-0,88832	0,00000	-0,45283
10:04	-0,63452	0,00000	-0,45283
10:10	-1,45940	0,00000	-0,45283
10:16	-1,45940	0,00000	-0,45283
10:22	-1,45940	0,00000	-0,37736
10:28	-1,45940	0,00000	-0,45283
10:34	-1,52280	0,00000	-0,60377
10:40	-1,45940	0,00000	-0,60377
10:46	-1,58630	0,00000	-0,67925
10:52	-1,52280	0,00000	-0,67925
10:58	-0,45283	0,00000	-0,67925
11:04	-0,45283	0,00000	-0,67925
11:10	-0,45283	0,00000	-0,67925
11:16	-0,45283	0,00000	-0,67925
11:22	-0,45283	0,00000	-0,67925
11:28	-0,37736	0,00000	-0,67925
11:34	-0,45283	0,00000	-0,75472
11:40	-0,60377	0,00000	-0,75472
11:46	-0,60377	0,00000	-0,75472
11:52	-0,67925	0,00000	-0,75472
11:58	-0,67925	0,00000	-0,75472
12:04	-0,67925	0,00000	-0,83019
12:10	-0,67925	0,00000	-0,83019
12:16	0,37736	0,00000	-0,83019
12:22	-0,67925	0,00000	-0,83019
12:28	-0,60377	0,00000	-0,83019
12:34	0,06453	0,00000	-0,52830
12:40	3,67056	0,00000	0,60377
12:46	2,87211	0,00000	0,90566
12:52	3,04532	0,00000	0,90566
12:58	3,04532	0,00000	0,90566
13:04	3,67056	0,00000	-0,45283
13:10	3,23411	0,00000	-0,45283
13:16	3,23411	0,00000	-0,45283
13:22	3,67056	0,00000	-0,37736
13:28	3,04532	0,00000	-0,45283
13:34	2,87211	0,00000	-0,83019
13:40	-0,45283	0,00000	-1,13210
13:46	-0,45283	0,00000	-1,20750
13:52	-0,45283	0,00000	-1,28300
13:58	-0,37736	0,00000	-1,28300
14:04	-0,45283	0,00000	-1,28300
14:10	-0,45283	0,00000	-1,35850
14:16	-0,45283	0,00000	-1,28300
14:22	-0,45283	0,00000	-1,28300
14:28	-0,37736	0,00000	-1,28300
14:34	-0,45283	0,00000	-1,28300

Time (hh:mm)	DEP-1 Calculated Field, (V/m)	DEP-2 Calculated Field, (V/m)	DEP-3 Calculated Field, (V/m)
14:40	-0,90566	0,00000	-1,28300
14:46	-0,90566	0,00000	-1,28300
14:52	-0,90566	0,00000	-1,20750
14:58	-0,90566	0,00000	-1,20750
15:04	-0,90566	0,00000	-1,13210
15:10	-0,90566	0,00000	-1,13210
15:16	-0,90566	0,00000	-1,05660
15:22	-0,90566	0,00000	-0,90566
15:28	-0,90566	0,00000	-0,90566
15:34	-0,90566	0,00000	-0,90566
15:40	-0,90566	0,00000	-0,98113
15:46	-0,90566	0,00000	-0,90566
15:52	-0,90566	0,00000	-0,90566
15:58	-0,90566	0,00000	-0,90566
16:04	-0,90566	0,00000	0,00000
16:10	-0,90566	0,00000	-0,90566
16:16	-0,30189	0,00000	-0,90566
16:22	-0,30189	0,00000	-0,90566
16:28	-0,30189	0,00000	-0,90566
16:34	-0,30189	0,00000	-0,90566
16:40	-0,30189	0,00000	-0,90566
16:46	-0,30189	0,00000	-0,90566
16:52	-0,30189	0,00000	-0,90566
16:58	-0,30189	0,00000	-0,90566
17:04	-0,21352	0,00000	-0,90566
17:10	-0,14235	0,00000	-0,90566
17:16	-0,14235	0,00000	-0,90566
17:22	0,14235	0,00000	-0,90566
17:28	0,14235	0,00000	-0,90566
17:34	0,21352	0,00000	-0,90566
17:40	-0,28470	0,00000	-0,90566
17:46	0,14235	0,00000	-0,90566
17:52	0,28470	0,00000	-0,90566
17:58	0,21352	0,00000	-0,98113
18:04	0,28470	0,00000	-0,98113
18:10	0,56940	0,00000	-0,98113
18:16	-0,90566	0,00000	-0,98113
18:22	-0,90566	0,00000	0,00000
18:28	-0,90566	0,00000	-0,98113
18:34	-0,90566	0,00000	-0,98113
18:40	-0,90566	0,00000	-1,13210
18:46	-0,90566	0,00000	-1,58490
18:52	-0,90566	0,00000	-1,66040
18:58	-0,90566	0,00000	-1,73580
19:04	-0,90566	0,00000	-1,50940
19:10	-0,90566	0,00000	-1,50940
19:16	-0,90566	0,00000	-1,43400
19:22	-0,90566	0,00000	-1,43400
19:28	-0,90566	0,00000	-1,43400
19:34	-0,90566	0,00000	-1,43400

Time (hh:mm)	DEP-1 Calculated Field, (V/m)	DEP-2 Calculated Field, (V/m)	DEP-3 Calculated Field, (V/m)
19:40	-0,90566	0,00000	-1,43400
19:46	-0,90566	0,00000	-1,43400
19:52	-0,07547	0,00000	-1,43400
19:58	-0,07547	0,00000	-1,43400
20:04	-0,15094	0,00000	-1,43400
20:10	0,07547	0,00000	-1,43400
20:16	-0,07547	0,00000	-1,43400
20:22	0,15094	0,00000	-1,43400
20:28	0,15094	0,00000	-1,50940
20:34	0,15094	0,00000	-1,50940
20:40	-0,15094	0,00000	-1,81130
20:46	-0,21352	0,00000	-1,81130
20:52	-0,14235	0,00000	-1,81130
20:58	-0,14235	0,00000	-1,81130
21:04	0,14235	0,00000	-1,73580
21:10	0,14235	0,00000	-1,58490
21:16	0,21352	0,00000	-1,50940
21:22	-0,28470	0,00000	-1,43400
21:28	0,14235	0,00000	-1,35850
21:34	0,28470	0,00000	-1,35850
21:40	0,21352	0,00000	-1,28300
21:46	0,28470	0,00000	-1,28300

Time (hh:mm)	DEP-1 Calculated Field, (V/m)	DEP-2 Calculated Field, (V/m)	DEP-3 Calculated Field, (V/m)
21:52	0,56940	0,00000	-1,28300
21:58	-0,45283	0,00000	-1,20750
22:04	-0,37736	0,00000	-1,20750
22:10	-0,45283	0,00000	-1,13210
22:16	-0,45283	0,00000	-1,13210
22:22	-0,45283	0,00000	-1,13210
22:28	-0,45283	0,00000	-1,05660
22:34	-0,37736	0,00000	-0,98113
22:40	-0,45283	0,00000	-0,98113
22:46	-1,52280	0,00000	-0,98113
22:52	0,25381	0,00000	-0,98113
22:58	-1,52280	0,00000	-0,90566
23:04	0,69797	0,00000	-0,90566
23:10	-1,52280	0,00000	-0,83019
23:16	-1,45940	0,00000	-0,83019
23:22	-1,52280	0,00000	-0,75472
23:28	1,14210	0,00000	-0,67925
23:34	0,82487	0,00000	-0,67925
23:40	-0,44416	0,00000	-0,67925
23:46	-0,44416	0,00000	-0,67925
23:52	0,50761	0,00000	-0,67925
23:58	0,38071	0,00000	-0,67925

Annex 20. Information from DEP-sensors for 24/04/00

Time (hh:mm)	DEP-1 Calculated Field, (V/m)	DEP-2 Calculated Field, (V/m)	DEP-3 Calculated Field, (V/m)
0:04	-1,33250	0,00000	-0,67925
0:10	-1,14210	0,00000	-0,67925
0:16	1,20560	0,00000	-0,67925
0:22	1,58630	0,00000	-0,67925
0:28	-0,88832	0,00000	-0,75472
0:34	1,20560	0,00000	-0,75472
0:40	1,33250	0,00000	-0,75472
0:46	-1,64970	0,00000	-0,67925
0:52	1,64970	0,00000	-0,67925
0:58	1,71320	0,00000	-0,67925
1:04	1,39590	0,00000	-0,67925
1:10	1,39590	0,00000	-0,67925
1:16	1,90360	0,00000	-0,67925
1:22	1,77660	0,00000	-0,67925
1:28	1,90360	0,00000	-0,67925
1:34	1,77660	0,00000	-0,67925
1:40	1,84010	0,00000	-0,67925
1:46	1,07870	0,00000	-0,67925
1:52	1,20560	0,00000	-0,67925
1:58	0,69797	0,00000	-0,75472
2:04	0,95178	0,00000	-0,75472
2:10	1,14210	0,00000	-0,83019
2:16	0,63452	0,00000	-0,83019
2:22	0,95178	0,00000	-0,90566
2:28	1,07870	0,00000	-0,90566
2:34	1,26900	0,00000	-0,90566
2:40	1,26900	0,00000	-0,90566
2:46	1,01520	0,00000	-0,83019
2:52	1,01520	0,00000	-0,37736
2:58	-1,20560	0,00000	-0,30189
3:04	-1,20560	0,00000	-0,22642
3:10	-1,01520	0,00000	-0,22642
3:16	1,64970	0,00000	-0,22642
3:22	-1,33250	0,00000	-0,30189
3:28	0,88832	0,00000	-0,37736
3:34	1,77660	0,00000	-0,45283
3:40	1,20560	0,00000	-0,45283
3:46	-1,39590	0,00000	0,37736
3:52	-1,84010	0,00000	0,37736
3:58	-1,58630	0,00000	0,37736
4:04	1,58630	0,00000	0,37736
4:10	-1,52280	0,00000	0,37736
4:16	-1,33250	0,00000	0,37736
4:22	-1,20560	0,00000	0,37736
4:28	-1,20560	0,00000	0,37736
4:34	-1,26900	0,00000	-0,37736
4:40	-1,26900	0,00000	0,37736
4:46	-1,33250	0,00000	0,37736

Time (hh:mm)	DEP-1 Calculated Field, (V/m)	DEP-2 Calculated Field, (V/m)	DEP-3 Calculated Field, (V/m)
4:52	-1,33250	0,00000	0,37736
4:58	-1,39590	0,00000	-0,37736
5:04	-1,39590	0,00000	-0,37736
5:10	-1,39590	0,00000	-0,37736
5:16	-1,52280	0,00000	-0,30189
5:22	-1,52280	0,00000	-0,30189
5:28	-1,52280	0,00000	-0,22642
5:34	-1,52280	0,00000	-0,30189
5:40	-1,45940	0,00000	-0,30189
5:46	-1,52280	0,00000	-0,30189
5:52	-1,52280	0,00000	-0,30189
5:58	-1,58630	0,00000	-0,37736
6:04	-1,64970	0,00000	-0,37736
6:10	-1,64970	0,00000	-0,37736
6:16	-1,71320	0,00000	-0,37736
6:22	-1,64970	0,00000	-0,30189
6:28	-1,58630	0,00000	-0,30189
6:34	-1,71320	0,00000	-0,30189
6:40	-1,77660	0,00000	-0,37736
6:46	-1,71320	0,00000	-0,37736
6:52	-1,77660	0,00000	-0,37736
6:58	-1,77660	0,00000	-0,45283
7:04	-1,71320	0,00000	-0,45283
7:10	-1,71320	0,00000	-0,45283
7:16	-1,96700	0,00000	-0,45283
7:22	-1,96700	0,00000	-0,45283
7:28	-1,96700	0,00000	-0,45283
7:34	-1,64970	0,00000	-0,45283
7:40	-1,64970	0,00000	-0,52830
7:46	-1,84010	0,00000	-0,52830
7:52	-1,71320	0,00000	-0,52830
7:58	-1,71320	0,00000	-0,52830
8:04	-1,90360	0,00000	-0,52830
8:10	-1,96700	0,00000	-0,67925
8:16	-2,09390	0,00000	-0,67925
8:22	-1,96700	0,00000	-0,75472
8:28	-1,45940	0,00000	-0,75472
8:34	-1,20560	0,00000	-0,75472
8:40	0,63452	0,00000	-0,75472
8:46	0,06345	0,00000	-0,75472
8:52	0,06345	0,00000	-0,75472
8:58	0,06345	0,00000	-0,75472
9:04	0,06345	0,00000	-0,75472
9:10	0,06345	0,00000	-0,67925
9:16	-0,06345	0,00000	-0,67925
9:22	0,06345	0,00000	-0,67925
9:28	-0,06345	0,00000	-0,67925
9:34	-0,06345	0,00000	-0,67925

Time (hh:mm)	DEP-1 Calculated Field, (V/m)	DEP-2 Calculated Field, (V/m)	DEP-3 Calculated Field, (V/m)
9:40	0,00000	0,00000	-0,67925
9:46	-0,06345	0,00000	-0,67925
9:52	-0,06345	0,00000	-0,67925
9:58	0,06345	0,00000	-0,67925
10:04	-0,06345	0,00000	-0,60377
10:10	-0,06345	0,00000	-0,60377
10:16	-0,06345	0,00000	-0,60377
10:22	0,06345	0,00000	-0,60377
10:28	-0,06345	0,00000	-0,60377
10:34	-0,06345	0,00000	-0,60377
10:40	-0,06345	0,00000	-0,60377
10:46	0,06345	0,00000	-0,52830
10:52	-0,06345	0,00000	-0,52830
10:58	-0,06345	0,00000	-0,52830
11:04	-0,06345	0,00000	-0,52830
11:10	0,06345	0,00000	-0,60377
11:16	0,06345	0,00000	-0,60377
11:22	-0,06345	0,00000	-0,60377
11:28	-0,06345	0,00000	-0,60377
11:34	-0,06345	0,00000	-0,60377
11:40	0,06345	0,00000	-0,60377
11:46	-0,06345	0,00000	-0,60377
11:52	-0,06345	0,00000	-0,60377
11:58	0,06345	0,00000	-0,60377
12:04	0,06345	0,00000	-0,60377
12:10	-0,06345	0,00000	-0,60377
12:16	0,06345	0,00000	-0,60377
12:22	0,12690	0,00000	-0,60377
12:28	0,06345	0,00000	-0,67925
12:34	0,06345	0,00000	0,52830
12:40	-0,06345	0,00000	0,90566
12:46	-0,06345	0,00000	0,83019
12:52	-0,06345	0,00000	0,75472
12:58	-0,06345	0,00000	0,67925
13:04	2,00012	0,00000	0,00000
13:10	2,54311	0,00000	-0,52830
13:16	1,78911	0,00000	-0,52830
13:22	2,00012	0,00000	-0,45283
13:28	2,00012	0,00000	-0,45283
13:34	-0,06345	0,00000	-0,90566
13:40	-0,06345	0,00000	-1,05660
13:46	-0,06345	0,00000	-0,98113
13:52	-0,06345	0,00000	-1,13210
13:58	-0,06345	0,00000	-1,13210
14:04	-0,06345	0,00000	-1,20750
14:10	-0,06345	0,00000	-1,20750
14:16	-0,06345	0,00000	-1,20750
14:22	-0,12690	0,00000	-1,20750
14:28	-0,12690	0,00000	-1,20750
14:34	0,63452	0,00000	-1,20750

Time (hh:mm)	DEP-1 Calculated Field, (V/m)	DEP-2 Calculated Field, (V/m)	DEP-3 Calculated Field, (V/m)
14:40	-0,12690	0,00000	-1,20750
14:46	-0,12690	0,00000	-1,13210
14:52	-0,12690	0,00000	-1,13210
14:58	0,06345	0,00000	-1,13210
15:04	-0,12690	0,00000	-1,13210
15:10	-0,12690	0,00000	-1,58490
15:16	-0,12690	0,00000	-1,88680
15:22	0,06345	0,00000	-1,81130
15:28	0,12690	0,00000	-1,81130
15:34	-0,12690	0,00000	-1,73580
15:40	-0,06345	0,00000	-1,58490
15:46	-0,06345	0,00000	-0,90566
15:52	-0,12690	0,00000	-0,90566
15:58	0,12690	0,00000	-0,75472
16:04	0,06345	0,00000	-0,75472
16:10	0,12690	0,00000	-0,75472
16:16	-0,12690	0,00000	-0,90566
16:22	-0,12690	0,00000	-0,83019
16:28	0,19036	0,00000	-0,83019
16:34	0,06345	0,00000	-0,98113
16:40	0,06345	0,00000	-0,90566
16:46	-0,12690	0,00000	-0,75472
16:52	-0,19036	0,00000	-0,75472
16:58	-0,06345	0,00000	-0,75472
17:04	0,12690	0,00000	-0,90566
17:10	-0,06345	0,00000	-0,90566
17:16	0,06345	0,00000	-0,75472
17:22	-0,06345	0,00000	-1,05660
17:28	-0,12690	0,00000	-0,98113
17:34	0,12690	0,00000	-1,13210
17:40	-0,19036	0,00000	-1,73580
17:46	0,12690	0,00000	-1,81130
17:52	0,19036	0,00000	-1,81130
17:58	-0,12690	0,00000	-1,81130
18:04	-0,19036	0,00000	-1,81130
18:10	0,12690	0,00000	-1,73580
18:16	-0,12690	0,00000	-1,43400
18:22	-0,12690	0,00000	-1,43400
18:28	-0,19036	0,00000	-1,13210
18:34	0,12690	0,00000	-1,43400
18:40	0,12690	0,00000	-1,13210
18:46	0,19036	0,00000	-2,18870
18:52	-0,19036	0,00000	-1,81130
18:58	0,19036	0,00000	-1,73580
19:04	0,12690	0,00000	-1,73580
19:10	-0,12690	0,00000	-1,73580
19:16	0,19036	0,00000	-1,66040
19:22	0,19036	0,00000	-1,58490
19:28	-0,12690	0,00000	-1,66040
19:34	-0,19036	0,00000	-1,66040

Time (hh:mm)	DEP-1 Calculated Field, (V/m)	DEP-2 Calculated Field, (V/m)	DEP-3 Calculated Field, (V/m)
19:40	0,19036	0,00000	-1,73580
19:46	-0,12690	0,00000	-1,81130
19:52	-0,12690	0,00000	-1,73580
19:58	-0,12690	0,00000	-1,73580
20:04	-0,12690	0,00000	-1,81130
20:10	-0,12690	0,00000	-1,81130
20:16	-0,06345	0,00000	-1,88680
20:22	-0,12690	0,00000	-2,11320
20:28	-0,12690	0,00000	-2,11320
20:34	0,12690	0,00000	-2,18870
20:40	-0,06345	0,00000	-2,26420
20:46	0,06345	0,00000	-2,26420
20:52	0,06345	0,00000	-1,96230
20:58	-0,12690	0,00000	-1,88680
21:04	0,19036	0,00000	-1,88680
21:10	0,19036	0,00000	-1,88680
21:16	-0,25381	0,00000	-1,88680
21:22	0,38071	0,00000	-1,96230
21:28	0,31726	0,00000	-2,26420
21:34	0,38071	0,00000	-1,96230
21:40	0,44416	0,00000	-1,96230
21:46	0,50761	0,00000	-1,88680

Time (hh:mm)	DEP-1 Calculated Field, (V/m)	DEP-2 Calculated Field, (V/m)	DEP-3 Calculated Field, (V/m)
21:52	0,31726	0,00000	-1,81130
21:58	0,38071	0,00000	-1,81130
22:04	-0,38071	0,00000	-1,81130
22:10	-0,31726	0,00000	-1,81130
22:16	-0,38071	0,00000	-1,73580
22:22	0,25381	0,00000	-1,73580
22:28	0,19036	0,00000	-1,50940
22:34	0,19036	0,00000	-1,43400
22:40	0,19036	0,00000	-1,35850
22:46	-0,50761	0,00000	-1,28300
22:52	0,25381	0,00000	-1,13210
22:58	-2,09390	0,00000	-1,05660
23:04	-2,03050	0,00000	-0,98113
23:10	1,64970	0,00000	-0,90566
23:16	1,33250	0,00000	-0,90566
23:22	1,52280	0,00000	-0,75472
23:28	1,39590	0,00000	-0,75472
23:34	-0,88832	0,00000	-0,67925
23:40	-0,76142	0,00000	-0,67925
23:46	-0,69797	0,00000	-0,60377
23:52	-0,57107	0,00000	-0,60377
23:58	-0,50761	0,00000	-0,67925

Annex 21. Information from DEP-sensors for 28/04/00

Time (hh:mm)	DEP-1 Calculated Field, (V/m)	DEP-2 Calculated Field, (V/m)	DEP-3 Calculated Field, (V/m)
0:04	-1,58630	0,00000	-0,90566
0:10	1,52280	0,00000	0,00000
0:16	1,39590	0,00000	-0,90566
0:22	-1,20560	0,00000	-0,90566
0:28	1,07870	0,00000	-0,90566
0:34	0,69797	0,00000	-0,90566
0:40	-0,38071	0,00000	-0,83019
0:46	-0,38071	0,00000	-0,83019
0:52	0,00000	0,00000	-0,83019
0:58	-0,50761	0,00000	-0,83019
1:04	-0,82487	0,00000	-0,83019
1:10	-0,76142	0,00000	-0,83019
1:16	0,82487	0,00000	-0,83019
1:22	-0,63452	0,00000	-0,83019
1:28	-0,82487	0,00000	-0,83019
1:34	-0,82487	0,00000	-0,83019
1:40	-0,57107	0,00000	-0,83019
1:46	-0,57107	0,00000	-0,90566
1:52	-0,50761	0,00000	-1,13210
1:58	-0,50761	0,00000	-1,28300
2:04	0,82487	0,00000	-1,20750
2:10	-0,44416	0,00000	-1,28300
2:16	-0,50761	0,00000	-1,58490
2:22	-0,76142	0,00000	-1,66040
2:28	0,00000	0,00000	-1,73580
2:34	-0,69797	0,00000	0,00000
2:40	-0,76142	0,00000	-1,81130
2:46	-0,88832	0,00000	2,33960
2:52	-0,88832	0,00000	-1,13210
2:58	-1,07870	0,00000	-1,05660
3:04	-1,64970	0,00000	-0,90566
3:10	-1,58630	0,00000	-0,37736
3:16	-1,84010	0,00000	-0,37736
3:22	-2,66500	0,00000	0,90566
3:28	-2,60150	0,00000	1,28300
3:34	-2,41120	0,00000	0,98113
3:40	-1,77660	0,00000	0,75472
3:46	-2,03050	0,00000	0,90566
3:52	-1,96700	0,00000	0,90566
3:58	-2,34770	0,00000	1,05660
4:04	-2,41120	0,00000	1,35850
4:10	-2,28430	0,00000	1,28300
4:16	-2,28430	0,00000	1,13210
4:22	-2,15740	0,00000	1,20750
4:28	-2,15740	0,00000	1,05660
4:34	-2,34770	0,00000	1,13210
4:40	-2,15740	0,00000	0,67925
4:46	-1,71320	0,00000	0,60377

Time (hh:mm)	DEP-1 Calculated Field, (V/m)	DEP-2 Calculated Field, (V/m)	DEP-3 Calculated Field, (V/m)
4:52	-1,64970	0,00000	0,45283
4:58	-1,71320	0,00000	-0,45283
5:04	-1,45940	0,00000	-0,52830
5:10	-1,45940	0,00000	-0,60377
5:16	-1,45940	0,00000	-0,60377
5:22	-1,52280	0,00000	-0,60377
5:28	-1,58630	0,00000	-0,67925
5:34	-1,52280	0,00000	-0,67925
5:40	-1,52280	0,00000	-0,67925
5:46	-1,71320	0,00000	-0,67925
5:52	-1,45940	0,00000	-0,60377
5:58	-1,52280	0,00000	-0,60377
6:04	-1,52280	0,00000	-0,60377
6:10	-1,52280	0,00000	-0,52830
6:16	-1,58630	0,00000	-0,52830
6:22	-1,58630	0,00000	-0,60377
6:28	-1,64970	0,00000	-0,60377
6:34	-1,64970	0,00000	-0,52830
6:40	-1,64970	0,00000	-0,52830
6:46	-1,64970	0,00000	-0,52830
6:52	-1,58630	0,00000	-0,52830
6:58	-2,03050	0,00000	-0,52830
7:04	-2,03050	0,00000	-0,52830
7:10	-1,96700	0,00000	-0,52830
7:16	-1,64970	0,00000	-0,52830
7:22	-2,03050	0,00000	-0,60377
7:28	-1,58630	0,00000	-0,60377
7:34	-1,58630	0,00000	-0,60377
7:40	-1,45940	0,00000	-0,60377
7:46	-1,84010	0,00000	-0,60377
7:52	-1,84010	0,00000	-0,60377
7:58	1,39590	0,00000	-0,60377
8:04	-1,14210	0,00000	-0,60377
8:10	-1,52280	0,00000	-0,60377
8:16	-1,52280	0,00000	-0,67925
8:22	-0,83019	0,00000	-0,67925
8:28	-0,83019	0,00000	-0,67925
8:34	-0,83019	0,00000	-0,67925
8:40	-0,83019	0,00000	-0,67925
8:46	-0,83019	0,00000	-0,67925
8:52	-0,83019	0,00000	-0,67925
8:58	-0,90566	0,00000	-0,67925
9:04	-1,13210	0,00000	-0,67925
9:10	-1,28300	0,00000	-0,67925
9:16	-1,20750	0,00000	-0,67925
9:22	-1,28300	0,00000	-0,60377
9:28	-1,58490	0,00000	-0,60377
9:34	-1,66040	0,00000	-0,60377

Time (hh:mm)	DEP-1 Calculated Field, (V/m)	DEP-2 Calculated Field, (V/m)	DEP-3 Calculated Field, (V/m)
9:40	-1,73580	0,00000	-0,60377
9:46	0,00000	0,00000	-0,60377
9:52	-1,81130	0,00000	-0,60377
9:58	2,33960	0,00000	-0,60377
10:04	-1,13210	0,00000	-0,60377
10:10	-1,05660	0,00000	-0,52830
10:16	-0,90566	0,00000	-0,52830
10:22	-0,67925	0,00000	-0,60377
10:28	-0,60377	0,00000	-0,60377
10:34	-0,60377	0,00000	-0,60377
10:40	-0,60377	0,00000	-0,60377
10:46	-0,52830	0,00000	-0,52830
10:52	-0,52830	0,00000	-0,60377
10:58	-0,60377	0,00000	-0,60377
11:04	-0,60377	0,00000	-0,60377
11:10	-0,52830	0,00000	-0,67925
11:16	-0,52830	0,00000	-0,67925
11:22	-0,52830	0,00000	-0,67925
11:28	-0,52830	0,00000	-1,05660
11:34	-0,52830	0,00000	-0,67925
11:40	-0,52830	0,00000	-0,75472
11:46	-0,52830	0,00000	-0,67925
11:52	-0,52830	0,00000	-0,67925
11:58	-0,60377	0,00000	-0,67925
12:04	-0,60377	0,00000	-0,75472
12:10	-1,58630	0,00000	-0,75472
12:16	-1,52280	0,00000	-0,75472
12:22	-1,52280	0,00000	-0,83019
12:28	-1,71320	0,00000	-0,83019
12:34	-1,45940	0,00000	-0,90566
12:40	-1,52280	0,00000	-0,90566
12:46	-1,52280	0,00000	-0,83019
12:52	-1,52280	0,00000	0,00000
12:58	-1,58630	0,00000	-0,90566
13:04	-1,58630	0,00000	-0,98113
13:10	-1,64970	0,00000	-0,90566
13:16	-1,64970	0,00000	-0,90566
13:22	-1,64970	0,00000	-0,90566
13:28	-1,64970	0,00000	-0,90566
13:34	-1,58630	0,00000	-0,90566
13:40	-2,03050	0,00000	-1,05660
13:46	-2,03050	0,00000	-0,98113
13:52	-1,96700	0,00000	-0,98113
13:58	-1,64970	0,00000	-1,05660
14:04	-2,03050	0,00000	-1,05660
14:10	-1,58630	0,00000	-1,05660
14:16	-1,58630	0,00000	-1,13210
14:22	-0,90845	0,00000	-1,05660
14:28	-0,34201	0,00000	-1,05660
14:34	-0,34201	0,00000	-1,13210

Time (hh:mm)	DEP-1 Calculated Field, (V/m)	DEP-2 Calculated Field, (V/m)	DEP-3 Calculated Field, (V/m)
14:40	0,00000	0,00000	-1,05660
14:46	0,11985	0,00000	-1,13210
14:52	0,05608	0,00000	-0,90566
14:58	0,00000	0,00000	0,00000
15:04	-0,00453	0,00000	-0,90566
15:10	-0,34096	0,00000	-1,13210
15:16	-0,95321	0,00000	-0,90566
15:22	-0,82546	0,00000	-0,90566
15:28	-0,87411	0,00000	-0,90566
15:34	-0,87411	0,00000	-0,90566
15:40	-0,78916	0,00000	-0,90566
15:46	-1,00564	0,00000	-0,83019
15:52	-1,65711	0,00000	-0,83019
15:58	-0,80734	0,00000	-0,83019
16:04	-0,06345	0,00000	-1,81130
16:10	0,06345	0,00000	-2,11320
16:16	0,06345	0,00000	-2,26420
16:22	-0,06345	0,00000	-2,49060
16:28	-0,06345	0,00000	-2,64150
16:34	0,06345	0,00000	-2,64150
16:40	0,06345	0,00000	-2,71700
16:46	-0,06345	0,00000	-2,64150
16:52	-0,06345	0,00000	-2,56600
16:58	-0,06345	0,00000	-2,49060
17:04	0,06345	0,00000	-2,41510
17:10	-0,06345	0,00000	-2,41510
17:16	-0,06345	0,00000	-2,41510
17:22	-0,06345	0,00000	-2,33960
17:28	-0,06345	0,00000	-2,26420
17:34	-0,06345	0,00000	-2,26420
17:40	-0,06345	0,00000	-1,88680
17:46	-0,06345	0,00000	-2,11320
17:52	-0,06345	0,00000	-2,11320
17:58	-0,06345	0,00000	-1,88680
18:04	-0,06345	0,00000	-1,81130
18:10	-0,06345	0,00000	-1,81130
18:16	-0,06345	0,00000	-1,81130
18:22	-0,06345	0,00000	-1,73580
18:28	-0,06345	0,00000	-1,73580
18:34	-0,06345	0,00000	-1,73580
18:40	-0,06345	0,00000	-1,81130
18:46	-0,06345	0,00000	-1,81130
18:52	-0,06345	0,00000	-1,81130
18:58	-0,06345	0,00000	-2,11320
19:04	-0,06345	0,00000	-2,11320
19:10	-0,06345	0,00000	-1,88680
19:16	-0,06345	0,00000	-2,11320
19:22	-0,06345	0,00000	-2,11320
19:28	-0,06345	0,00000	-1,96230
19:34	-0,06345	0,00000	-1,96230

Time (hh:mm)	DEP-1 Calculated Field, (V/m)	DEP-2 Calculated Field, (V/m)	DEP-3 Calculated Field, (V/m)
19:40	-0,06345	0,00000	-2,11320
19:46	-0,06345	0,00000	-2,11320
19:52	-0,06345	0,00000	-2,11320
19:58	-0,06345	0,00000	-1,96230
20:04	-0,06345	0,00000	-2,18870
20:10	-0,06345	0,00000	-2,18870
20:16	-0,06345	0,00000	-2,18870
20:22	-0,06345	0,00000	-2,18870
20:28	-0,06345	0,00000	-2,26420
20:34	-0,06345	0,00000	-2,26420
20:40	-0,06345	0,00000	-2,26420
20:46	-0,06345	0,00000	-2,26420
20:52	-0,06345	0,00000	-2,26420
20:58	-0,06345	0,00000	-2,26420
21:04	-0,06345	0,00000	-2,26420
21:10	-0,63452	0,00000	-2,26420
21:16	0,76142	0,00000	-2,11320
21:22	0,69797	0,00000	-2,26420
21:28	0,69797	0,00000	-2,26420
21:34	0,76142	0,00000	-2,26420
21:40	-0,76142	0,00000	-2,26420
21:46	0,63452	0,00000	-2,33960

Time (hh:mm)	DEP-1 Calculated Field, (V/m)	DEP-2 Calculated Field, (V/m)	DEP-3 Calculated Field, (V/m)
21:52	-0,76142	0,00000	-2,26420
21:58	-0,76142	0,00000	-2,26420
22:04	-0,82487	0,00000	-2,26420
22:10	-0,82487	0,00000	-2,26420
22:16	-0,69797	0,00000	-2,26420
22:22	-0,69797	0,00000	-2,03770
22:28	0,69797	0,00000	-2,18870
22:34	-0,88832	0,00000	-2,03770
22:40	0,69797	0,00000	-2,18870
22:46	0,76142	0,00000	-2,18870
22:52	-0,69797	0,00000	-1,96230
22:58	-0,88832	0,00000	-2,11320
23:04	0,82487	0,00000	-1,96230
23:10	0,57107	0,00000	-1,96230
23:16	-0,82487	0,00000	-1,96230
23:22	-0,82487	0,00000	-1,88680
23:28	-0,88832	0,00000	-1,88680
23:34	-0,82487	0,00000	-1,88680
23:40	-0,82487	0,00000	-1,88680
23:46	-1,01520	0,00000	-1,88680
23:52	-0,95178	0,00000	-1,88680
23:58	-0,76142	0,00000	-2,11320

Annex 22. Information from DEP-sensors for 29/04/00

Time (hh:mm)	DEP-1 Calculated Field, (V/m)	DEP-2 Calculated Field, (V/m)	DEP-3 Calculated Field, (V/m)
0:04	-0,07614	0,00000	-1,88680
0:10	0,63452	0,00000	-2,11320
0:16	-0,07614	0,00000	-2,11320
0:22	-0,07614	0,00000	-2,11320
0:28	-0,08249	0,00000	-2,11320
0:34	-0,02487	0,00000	-1,88680
0:40	-0,06980	0,00000	-1,88680
0:46	-0,06980	0,00000	-2,11320
0:52	0,06980	0,00000	-2,11320
0:58	-0,28832	0,00000	-2,18870
1:04	0,06980	0,00000	-2,11320
1:10	0,36142	0,00000	-1,96230
1:16	-0,07854	0,00000	-2,18870
1:22	-0,07854	0,00000	-2,18870
1:28	-0,36142	0,00000	-2,18870
1:34	-0,06345	0,00000	-2,18870
1:40	0,00000	0,00000	-2,18870
1:46	0,00000	0,00000	-2,26420
1:52	-1,52280	0,00000	-2,26420
1:58	-1,42560	0,00000	-2,26420
2:04	-1,34630	0,00000	-2,26420
2:10	-0,98761	0,00000	-2,26420
2:16	-0,98761	0,00000	-2,26420
2:22	-1,23510	0,00000	-2,26420
2:28	-1,45890	0,00000	-2,26420
2:34	-1,00043	0,00000	-2,33960
2:40	-1,00043	0,00000	-2,33960
2:46	-1,00043	0,00000	-2,33960
2:52	-1,52280	0,00000	-1,73580
2:58	0,00000	0,00000	-1,66040
3:04	0,00000	0,00000	-1,66040
3:10	0,00000	0,00000	-1,66040
3:16	-1,52280	0,00000	-1,73580
3:22	0,06345	0,00000	-1,66040
3:28	-1,52280	0,00000	-1,66040
3:34	-1,52280	0,00000	-1,66040
3:40	0,00000	0,00000	-1,73580
3:46	0,00000	0,00000	-1,81130
3:52	-1,26900	0,00000	-1,81130
3:58	-1,52280	0,00000	-1,81130
4:04	1,01520	0,00000	-1,73580
4:10	1,26900	0,00000	-1,81130
4:16	0,00000	0,00000	-1,81130
4:22	-1,52280	0,00000	-1,73580
4:28	-0,12690	0,00000	-1,73580
4:34	0,06345	0,00000	-1,73580
4:40	-1,52280	0,00000	-1,73580
4:46	-1,77660	0,00000	-1,73580

Time (hh:mm)	DEP-1 Calculated Field, (V/m)	DEP-2 Calculated Field, (V/m)	DEP-3 Calculated Field, (V/m)
4:52	-1,52280	0,00000	-1,73580
4:58	-1,52280	0,00000	-1,73580
5:04	-2,03050	0,00000	-1,73580
5:10	-1,52280	0,00000	-1,73580
5:16	-3,17260	0,00000	-1,73580
5:22	0,00000	0,00000	-1,73580
5:28	-1,52280	0,00000	-1,73580
5:34	0,00000	0,00000	-1,66040
5:40	-1,52280	0,00000	-1,73580
5:46	0,00000	0,00000	-1,66040
5:52	0,00000	0,00000	-1,73580
5:58	0,00000	0,00000	-1,73580
6:04	0,00000	0,00000	-1,66040
6:10	-0,50761	0,00000	-1,73580
6:16	0,00000	0,00000	-1,66040
6:22	-1,52280	0,00000	-1,66040
6:28	0,00000	0,00000	-1,66040
6:34	0,00000	0,00000	-1,66040
6:40	0,00000	0,00000	-1,66040
6:46	0,00000	0,00000	-1,66040
6:52	-1,52280	0,00000	-1,58490
6:58	-1,26743	0,00000	-1,58490
7:04	-1,26743	0,00000	-1,66040
7:10	-1,66040	0,00000	-1,66040
7:16	-1,66040	0,00000	-1,58490
7:22	-1,73580	0,00000	-1,58490
7:28	-1,66040	0,00000	-1,58490
7:34	-1,66040	0,00000	-1,58490
7:40	-1,66040	0,00000	-1,58490
7:46	-1,73580	0,00000	-1,58490
7:52	-1,73580	0,00000	-1,58490
7:58	-0,98003	0,00000	-1,58490
8:04	0,06345	0,00000	-1,58490
8:10	0,06345	0,00000	-1,50940
8:16	0,06345	0,00000	-1,43400
8:22	0,06345	0,00000	-1,50940
8:28	0,06345	0,00000	-1,50940
8:34	0,06345	0,00000	-1,50940
8:40	0,00000	0,00000	-1,50940
8:46	0,00000	0,00000	-1,50940
8:52	0,00000	0,00000	-1,50940
8:58	0,00000	0,00000	-1,50940
9:04	-0,06345	0,00000	-1,50940
9:10	-0,06345	0,00000	-1,50940
9:16	-0,06345	0,00000	-1,50940
9:22	-0,06345	0,00000	-1,50940
9:28	-0,06345	0,00000	-1,50940
9:34	-0,06345	0,00000	-1,43400

Time (hh:mm)	DEP-1 Calculated Field, (V/m)	DEP-2 Calculated Field, (V/m)	DEP-3 Calculated Field, (V/m)
9:40	-0,06345	0,00000	-1,50940
9:46	-0,06345	0,00000	-1,50940
9:52	-0,06345	0,00000	-1,43400
9:58	-0,06345	0,00000	-1,50940
10:04	-0,06345	0,00000	-1,50940
10:10	-0,06345	0,00000	-1,50940
10:16	-0,06345	0,00000	-1,50940
10:22	-0,06345	0,00000	-1,50940
10:28	-0,06345	0,00000	-1,50940
10:34	-0,06345	0,00000	-1,50940
10:40	-0,06345	0,00000	-1,50940
10:46	-0,06345	0,00000	-1,58490
10:52	-0,06345	0,00000	-1,50940
10:58	-0,06345	0,00000	-1,50940
11:04	-0,06345	0,00000	-1,50940
11:10	-0,06345	0,00000	-1,50940
11:16	-0,06345	0,00000	-1,50940
11:22	-0,06345	0,00000	-1,50940
11:28	-0,06345	0,00000	-1,43400
11:34	-0,06345	0,00000	-1,43400
11:40	-0,06345	0,00000	-1,43400
11:46	-0,06345	0,00000	-1,43400
11:52	-0,06345	0,00000	-1,43400
11:58	-0,06345	0,00000	-1,43400
12:04	-0,06345	0,00000	-1,43400
12:10	-0,06345	0,00000	-1,43400
12:16	-0,06345	0,00000	-1,35850
12:22	-0,06345	0,00000	-1,35850
12:28	-0,06345	0,00000	-1,35850
12:34	-0,06345	0,00000	-1,35850
12:40	-0,06345	0,00000	-1,35850
12:46	-0,06345	0,00000	-1,35850
12:52	-0,06345	0,00000	-1,28300
12:58	-0,06345	0,00000	-1,28300
13:04	-0,06345	0,00000	-1,28300
13:10	-0,06345	0,00000	-1,28300
13:16	-0,06345	0,00000	-1,28300
13:22	-0,06345	0,00000	-1,28300
13:28	-0,06345	0,00000	-1,28300
13:34	-0,06345	0,00000	-1,28300
13:40	-0,06345	0,00000	-1,20750
13:46	-0,06345	0,00000	-1,20750
13:52	-0,06345	0,00000	-1,13210
13:58	-0,06345	0,00000	-1,13210
14:04	-0,06345	0,00000	-1,13210
14:10	-0,06345	0,00000	-1,13210
14:16	-0,06345	0,00000	-1,13210
14:22	-0,06345	0,00000	-1,13210
14:28	-0,06345	0,00000	-1,05660
14:34	-0,06345	0,00000	-1,05660

Time (hh:mm)	DEP-1 Calculated Field, (V/m)	DEP-2 Calculated Field, (V/m)	DEP-3 Calculated Field, (V/m)
14:40	-0,06345	0,00000	-1,13210
14:46	-0,06345	0,00000	-1,13210
14:52	-0,06345	0,00000	-1,13210
14:58	-0,06345	0,00000	-1,13210
15:04	-0,06345	0,00000	-1,13210
15:10	-0,06345	0,00000	-1,13210
15:16	-0,06345	0,00000	-1,13210
15:22	-0,06345	0,00000	-1,20750
15:28	-0,06345	0,00000	-1,28300
15:34	-0,06345	0,00000	-1,20750
15:40	-0,06345	0,00000	-1,28300
15:46	-0,06345	0,00000	-1,20750
15:52	-0,06345	0,00000	-1,20750
15:58	-0,06345	0,00000	-1,28300
16:04	-0,06345	0,00000	-1,20750
16:10	0,00000	0,00000	-1,20750
16:16	-0,06345	0,00000	-1,20750
16:22	-0,06345	0,00000	-1,13210
16:28	-0,06345	0,00000	-1,20750
16:34	-0,06345	0,00000	-1,13210
16:40	-0,06345	0,00000	-1,20750
16:46	-0,06345	0,00000	-1,13210
16:52	-0,06345	0,00000	-1,13210
16:58	-0,06345	0,00000	-1,13210
17:04	-0,06345	0,00000	-1,13210
17:10	-0,06345	0,00000	-1,13210
17:16	0,00000	0,00000	-1,13210
17:22	-0,06345	0,00000	-1,13210
17:28	-0,06345	0,00000	-1,13210
17:34	-0,06345	0,00000	-1,13210
17:40	-0,06345	0,00000	-1,13210
17:46	-0,06345	0,00000	-1,13210
17:52	-0,06345	0,00000	-1,13210
17:58	-0,06345	0,00000	-1,13210
18:04	-0,06345	0,00000	-1,05660
18:10	-0,06345	0,00000	-1,13210
18:16	-0,06345	0,00000	-1,13210
18:22	-0,06345	0,00000	-1,05660
18:28	-0,06345	0,00000	-1,13210
18:34	-0,06345	0,00000	-1,13210
18:40	-0,06345	0,00000	-1,13210
18:46	-0,06345	0,00000	-1,13210
18:52	-0,06345	0,00000	-1,13210
18:58	-0,06345	0,00000	-1,66040
19:04	-0,06345	0,00000	-1,73580
19:10	-0,06345	0,00000	-1,73580
19:16	-0,06345	0,00000	-1,73580
19:22	-0,06345	0,00000	-1,73580
19:28	0,00000	0,00000	-1,73580
19:34	0,00000	0,00000	-1,81130

Time (hh:mm)	DEP-1 Calculated Field, (V/m)	DEP-2 Calculated Field, (V/m)	DEP-3 Calculated Field, (V/m)
19:40	-0,06345	0,00000	-1,81130
19:46	0,00000	0,00000	-1,81130
19:52	-0,06345	0,00000	-1,81130
19:58	-0,06345	0,00000	-1,88680
20:04	-0,06345	0,00000	-1,88680
20:10	-0,06345	0,00000	-1,88680
20:16	-0,06345	0,00000	-1,88680
20:22	-0,06345	0,00000	-1,96230
20:28	-0,06345	0,00000	-1,96230
20:34	-0,06345	0,00000	-1,96230
20:40	-0,06345	0,00000	-1,96230
20:46	-0,06345	0,00000	-1,96230
20:52	-0,06345	0,00000	-1,96230
20:58	-0,11045	0,00000	-1,96230
21:04	-0,06345	0,00000	-2,11320
21:10	-0,07614	0,00000	-2,03770
21:16	0,63452	0,00000	-2,11320
21:22	-0,07614	0,00000	-2,03770
21:28	-0,07614	0,00000	-2,03770
21:34	-0,08249	0,00000	-2,03770
21:40	-0,02487	0,00000	-2,03770
21:46	-0,06980	0,00000	-2,03770

Time (hh:mm)	DEP-1 Calculated Field, (V/m)	DEP-2 Calculated Field, (V/m)	DEP-3 Calculated Field, (V/m)
21:52	-0,06980	0,00000	-1,96230
21:58	0,06980	0,00000	-1,96230
22:04	-0,28832	0,00000	-1,96230
22:10	0,06980	0,00000	-1,96230
22:16	0,36142	0,00000	-1,96230
22:22	-0,07854	0,00000	-1,96230
22:28	-0,07854	0,00000	-1,96230
22:34	-0,36142	0,00000	-1,96230
22:40	-0,06345	0,00000	-1,96230
22:46	0,00000	0,00000	-1,96230
22:52	0,00000	0,00000	-1,88680
22:58	-1,52280	0,00000	-1,88680
23:04	-1,42560	0,00000	-1,88680
23:10	-1,73580	0,00000	-1,88680
23:16	-1,73580	0,00000	-1,88680
23:22	-1,73580	0,00000	-1,88680
23:28	-1,73580	0,00000	-1,88680
23:34	-1,81130	0,00000	-1,88680
23:40	-1,81130	0,00000	-1,88680
23:46	-1,81130	0,00000	-1,88680
23:52	-1,81130	0,00000	-1,88680
23:58	-1,88680	0,00000	-1,81130

Annex 23. Information from DEP-sensors for 30/04/00

Time (hh:mm)	DEP-1 Calculated Field, (V/m)	DEP-2 Calculated Field, (V/m)	DEP-3 Calculated Field, (V/m)
0:04	-0,37736	0,00000	-1,81130
0:10	-0,37736	0,00000	-1,81130
0:16	-0,37736	0,00000	-1,81130
0:22	-0,37736	0,00000	-1,81130
0:28	-0,37736	0,00000	-1,81130
0:34	-0,37736	0,00000	-1,81130
0:40	-0,37736	0,00000	-1,88680
0:46	-0,37736	0,00000	-1,88680
0:52	-0,37736	0,00000	-1,88680
0:58	-0,37736	0,00000	-1,88680
1:04	-0,37736	0,00000	-1,88680
1:10	-0,37736	0,00000	-1,88680
1:16	-0,37736	0,00000	-1,88680
1:22	-0,45283	0,00000	-1,88680
1:28	-0,45283	0,00000	-1,88680
1:34	-0,45283	0,00000	-1,88680
1:40	-0,52830	0,00000	-1,88680
1:46	-0,52830	0,00000	-1,96230
1:52	-0,45283	0,00000	-1,96230
1:58	-0,45283	0,00000	-1,96230
2:04	-0,45283	0,00000	-1,96230
2:10	-0,45283	0,00000	-1,96230
2:16	-0,45283	0,00000	-1,96230
2:22	-0,45283	0,00000	-2,11320
2:28	-0,45283	0,00000	-1,96230
2:34	-0,37736	0,00000	-2,11320
2:40	-0,37736	0,00000	-2,18870
2:46	-0,45283	0,00000	-2,03770
2:52	-0,37736	0,00000	-2,11320
2:58	-0,37736	0,00000	-1,50940
3:04	-0,60377	0,00000	-1,43400
3:10	-0,45283	0,00000	-1,43400
3:16	-0,37736	0,00000	-1,43400
3:22	-0,60377	0,00000	-1,50940
3:28	-0,60377	0,00000	-1,43400
3:34	-0,45283	0,00000	-1,50940
3:40	-0,45283	0,00000	-1,50940
3:46	-0,60377	0,00000	-1,58490
3:52	-0,60377	0,00000	-1,66040
3:58	-0,45283	0,00000	-1,58490
4:04	-2,34770	0,00000	-0,37736
4:10	-1,58630	0,00000	0,45283
4:16	-1,39590	0,00000	0,45283
4:22	-2,34770	0,00000	0,45283
4:28	1,58630	0,00000	0,45283
4:34	-1,58630	0,00000	-0,37736
4:40	-1,58630	0,00000	-0,45283
4:46	-1,58630	0,00000	-0,37736

Time (hh:mm)	DEP-1 Calculated Field, (V/m)	DEP-2 Calculated Field, (V/m)	DEP-3 Calculated Field, (V/m)
4:52	-1,39590	0,00000	-0,45283
4:58	-1,39590	0,00000	-0,45283
5:04	-1,45940	0,00000	-0,45283
5:10	-1,45940	0,00000	-0,37736
5:16	-1,45940	0,00000	-0,45283
5:22	-1,45940	0,00000	-0,45283
5:28	-1,71320	0,00000	-0,45283
5:34	-1,71320	0,00000	-0,45283
5:40	-1,45940	0,00000	-0,37736
5:46	-1,45940	0,00000	-0,37736
5:52	-1,96700	0,00000	-0,37736
5:58	-1,71320	0,00000	-0,37736
6:04	-1,71320	0,00000	-0,37736
6:10	-1,52280	0,00000	-0,37736
6:16	-1,52280	0,00000	-0,37736
6:22	-1,52280	0,00000	-0,37736
6:28	-1,84010	0,00000	-0,37736
6:34	-1,84010	0,00000	-0,37736
6:40	-1,84010	0,00000	-0,37736
6:46	-1,84010	0,00000	-0,37736
6:52	-1,71320	0,00000	-0,37736
6:58	-1,71320	0,00000	-0,37736
7:04	-1,64970	0,00000	-0,37736
7:10	-1,71320	0,00000	-0,37736
7:16	-1,64970	0,00000	-0,37736
7:22	-1,90360	0,00000	-0,37736
7:28	-1,90360	0,00000	-0,45283
7:34	-1,96700	0,00000	-0,45283
7:40	-1,90360	0,00000	-0,45283
7:46	-0,95178	0,00000	-0,52830
7:52	-0,82487	0,00000	-0,52830
7:58	0,00000	0,00000	-0,45283
8:04	-0,50761	0,00000	-0,45283
8:10	-1,52280	0,00000	-0,45283
8:16	-0,63452	0,00000	-0,45283
8:22	0,76142	0,00000	-0,45283
8:28	0,69797	0,00000	-0,45283
8:34	0,69797	0,00000	-0,45283
8:40	0,76142	0,00000	-0,45283
8:46	-0,76142	0,00000	-0,45283
8:52	0,63452	0,00000	-0,45283
8:58	-0,76142	0,00000	-0,45283
9:04	-0,76142	0,00000	-0,45283
9:10	-0,82487	0,00000	-0,45283
9:16	-0,82487	0,00000	-0,45283
9:22	-0,69797	0,00000	-0,45283
9:28	-0,69797	0,00000	-0,37736
9:34	0,69797	0,00000	-0,37736

Time (hh:mm)	DEP-1 Calculated Field, (V/m)	DEP-2 Calculated Field, (V/m)	DEP-3 Calculated Field, (V/m)
9:40	-0,88832	0,00000	-0,45283
9:46	0,69797	0,00000	-0,37736
9:52	0,76142	0,00000	-0,37736
9:58	-0,69797	0,00000	-0,60377
10:04	-0,88832	0,00000	-0,45283
10:10	0,82487	0,00000	-0,45283
10:16	0,57107	0,00000	-0,45283
10:22	-0,82487	0,00000	-0,45283
10:28	-0,82487	0,00000	-0,45283
10:34	-0,88832	0,00000	-0,52830
10:40	-0,82487	0,00000	-0,45283
10:46	-0,82487	0,00000	-0,60377
10:52	-1,01520	0,00000	-0,52830
10:58	-0,95178	0,00000	-0,45283
11:04	-0,76142	0,00000	-0,45283
11:10	-0,88832	0,00000	-0,52830
11:16	0,82487	0,00000	-0,45283
11:22	-0,95178	0,00000	-0,45283
11:28	1,01520	0,00000	-0,45283
11:34	0,82487	0,00000	-0,52830
11:40	-0,95178	0,00000	-0,52830
11:46	0,82487	0,00000	-0,52830
11:52	1,01520	0,00000	-0,52830
11:58	-0,95178	0,00000	-0,52830
12:04	1,01520	0,00000	-0,60377
12:10	1,01520	0,00000	-0,60377
12:16	1,01520	0,00000	-0,60377
12:22	0,57107	0,00000	-0,60377
12:28	-0,83019	0,00000	-0,60377
12:34	-0,83019	0,00000	-0,60377
12:40	-0,83019	0,00000	-0,67925
12:46	-0,83019	0,00000	-0,67925
12:52	-0,83019	0,00000	-0,67925
12:58	-0,83019	0,00000	-0,67925
13:04	-0,90566	0,00000	-0,67925
13:10	-1,13210	0,00000	-0,75472
13:16	-1,28300	0,00000	-0,75472
13:22	-1,20750	0,00000	-0,75472
13:28	-1,28300	0,00000	-0,75472
13:34	-1,58490	0,00000	-0,83019
13:40	-1,66040	0,00000	-0,83019
13:46	-1,73580	0,00000	-0,83019
13:52	0,00000	0,00000	-0,83019
13:58	-1,81130	0,00000	-0,90566
14:04	-1,81130	0,00000	-0,90566
14:10	-1,13210	0,00000	-0,90566
14:16	-1,05660	0,00000	-0,90566
14:22	-0,90566	0,00000	-1,13210
14:28	-0,76142	0,00000	-0,90566
14:34	0,63452	0,00000	0,00000

Time (hh:mm)	DEP-1 Calculated Field, (V/m)	DEP-2 Calculated Field, (V/m)	DEP-3 Calculated Field, (V/m)
14:40	-0,76142	0,00000	-1,05660
14:46	-0,76142	0,00000	-0,90566
14:52	-0,82487	0,00000	-0,98113
14:58	-0,82487	0,00000	-0,90566
15:04	-0,69797	0,00000	-0,90566
15:10	-0,69797	0,00000	-0,90566
15:16	0,69797	0,00000	-0,90566
15:22	-0,88832	0,00000	-0,90566
15:28	0,69797	0,00000	-0,90566
15:34	0,76142	0,00000	-0,83019
15:40	-0,76142	0,00000	-0,90566
15:46	0,63452	0,00000	-0,83019
15:52	-0,76142	0,00000	-0,83019
15:58	-0,76142	0,00000	-0,83019
16:04	-0,82487	0,00000	-0,83019
16:10	-0,82487	0,00000	-0,83019
16:16	-0,69797	0,00000	-0,83019
16:22	-0,69797	0,00000	-0,83019
16:28	0,69797	0,00000	-0,83019
16:34	-0,88832	0,00000	-0,83019
16:40	0,69797	0,00000	-0,83019
16:46	0,76142	0,00000	-0,83019
16:52	-0,69797	0,00000	-0,83019
16:58	-0,88832	0,00000	-0,90566
17:04	0,82487	0,00000	-0,90566
17:10	0,57107	0,00000	-0,83019
17:16	-0,82487	0,00000	-0,83019
17:22	-0,82487	0,00000	-0,83019
17:28	-0,88832	0,00000	-0,83019
17:34	-0,82487	0,00000	-0,83019
17:40	-0,63452	0,00000	-0,90566
17:46	0,76142	0,00000	-0,90566
17:52	0,69797	0,00000	-0,90566
17:58	0,69797	0,00000	-0,90566
18:04	0,76142	0,00000	-0,90566
18:10	-0,76142	0,00000	-0,90566
18:16	0,63452	0,00000	-0,90566
18:22	-0,76142	0,00000	-0,90566
18:28	-0,76142	0,00000	-0,90566
18:34	-0,82487	0,00000	-0,98113
18:40	-0,82487	0,00000	-0,90566
18:46	-0,69797	0,00000	-0,90566
18:52	-0,69797	0,00000	-0,98113
18:58	0,69797	0,00000	-1,35850
19:04	-0,88832	0,00000	-1,35850
19:10	0,69797	0,00000	-1,35850
19:16	0,76142	0,00000	-1,43400
19:22	-0,69797	0,00000	-1,43400
19:28	-0,88832	0,00000	-1,35850
19:34	0,82487	0,00000	-1,35850

Time (hh:mm)	DEP-1 Calculated Field, (V/m)	DEP-2 Calculated Field, (V/m)	DEP-3 Calculated Field, (V/m)
19:40	0,57107	0,00000	-1,35850
19:46	-0,82487	0,00000	-1,35850
19:52	-0,82487	0,00000	-1,43400
19:58	-0,88832	0,00000	-1,43400
20:04	-0,82487	0,00000	-1,43400
20:10	-0,82487	0,00000	-1,43400
20:16	-1,01520	0,00000	-1,43400
20:22	-0,95178	0,00000	-1,43400

Time (hh:mm)	DEP-1 Calculated Field, (V/m)	DEP-2 Calculated Field, (V/m)	DEP-3 Calculated Field, (V/m)
20:28	-0,76142	0,00000	-1,50940
20:34	-0,88832	0,00000	-1,58490
20:40	0,82487	0,00000	-1,50940
20:46	-0,95178	0,00000	-1,50940
20:52	1,01520	0,00000	-1,50940
20:58	0,82487	0,00000	-1,50940
21:04	-0,95178	0,00000	-2,11320
21:10	0,82487	0,00000	-1,88680

Annex 24. Information from DEP-sensors for 10/05/00

Time (hh:mm)	DEP-1 Calculated Field, (V/m)	DEP-2 Calculated Field, (V/m)	DEP-3 Calculated Field, (V/m)
0:02	0,31726	0,00000	-1,66040
0:08	0,06345	0,00000	-1,66040
0:14	0,06345	0,00000	-1,73580
0:20	0,31726	0,00000	-1,73580
0:26	0,45801	0,00000	-1,81130
0:32	0,45801	0,00000	-1,81130
0:38	0,31726	0,00000	-1,81130
0:44	0,31726	0,00000	-1,66040
0:50	0,31726	0,00000	-1,73580
0:56	0,24531	0,00000	-1,73580
1:02	0,24531	0,00000	-1,73580
1:08	0,31726	0,00000	-1,73580
1:14	0,31726	0,00000	-1,58490
1:20	0,06345	0,00000	-1,20750
1:26	0,06345	0,00000	-1,35850
1:32	0,06345	0,00000	-1,43400
1:38	0,06345	0,00000	-1,66040
1:44	-0,06345	0,00000	-1,73580
1:50	0,00000	0,00000	-1,73580
1:56	-0,06345	0,00000	-1,73580
2:02	-1,52280	0,00000	-1,73580
2:08	-2,22080	0,00000	-1,73580
2:14	-1,52280	0,00000	-1,73580
2:20	-1,90360	0,00000	-1,66040
2:26	-0,12690	0,00000	-0,45283
2:32	0,00000	0,00000	0,37736
2:38	-0,12690	0,00000	0,45283
2:44	-0,25381	0,00000	-0,37736
2:50	-0,63452	0,00000	-0,37736
2:56	-1,52280	0,00000	1,28300
3:02	1,39590	0,00000	1,20750
3:08	1,71320	0,00000	1,28300
3:14	1,45940	0,00000	1,13210
3:20	-1,58630	0,00000	1,20750
3:26	-1,33250	0,00000	1,50940
3:32	-1,20560	0,00000	1,43400
3:38	-1,26900	0,00000	1,20750
3:44	-1,52280	0,00000	1,05660
3:50	-1,58630	0,00000	0,98113
3:56	-1,90360	0,00000	1,13210
4:02	-2,03050	0,00000	1,43400
4:08	-2,09390	0,00000	1,43400
4:14	-1,64970	0,00000	1,28300
4:20	-2,15740	0,00000	1,13210
4:26	-1,90360	0,00000	1,43400
4:32	-1,90360	0,00000	1,20750
4:38	-2,22080	0,00000	1,13210
4:44	-1,84010	0,00000	0,98113

Time (hh:mm)	DEP-1 Calculated Field, (V/m)	DEP-2 Calculated Field, (V/m)	DEP-3 Calculated Field, (V/m)
4:50	-2,22080	0,00000	0,75472
4:56	-2,15740	0,00000	0,75472
5:02	-2,09390	0,00000	0,75472
5:08	-1,71320	0,00000	0,67925
5:14	-2,09390	0,00000	0,75472
5:20	-2,03050	0,00000	0,67925
5:26	-1,52280	0,00000	0,60377
5:32	-2,09390	0,00000	0,67925
5:38	-2,03050	0,00000	-0,52830
5:44	-2,03050	0,00000	-0,52830
5:50	-2,09390	0,00000	-0,52830
5:56	-1,64970	0,00000	-0,52830
6:02	-1,52280	0,00000	-0,45283
6:08	-1,71320	0,00000	-0,45283
6:14	-1,84010	0,00000	-0,52830
6:20	-1,64970	0,00000	-0,60377
6:26	-1,33250	0,00000	-0,60377
6:32	-1,64970	0,00000	-0,60377
6:38	-1,71320	0,00000	-0,60377
6:44	-1,77660	0,00000	-0,60377
6:50	-1,71320	0,00000	-0,60377
6:56	-1,77660	0,00000	-0,60377
7:02	-1,52280	0,00000	-0,60377
7:08	-1,64970	0,00000	-0,60377
7:14	-1,77660	0,00000	-0,60377
7:20	-1,39590	0,00000	-0,60377
7:26	-1,45940	0,00000	-0,60377
7:32	-1,45940	0,00000	-0,67925
7:38	-1,33250	0,00000	-0,67925
7:44	0,38071	0,00000	-0,67925
7:50	0,25381	0,00000	-0,67925
7:56	0,06345	0,00000	-0,67925
8:02	0,00000	0,00000	-0,67925
8:08	-0,06345	0,00000	-0,67925
8:14	-0,64970	0,00000	-0,75472
8:20	-1,39590	0,00000	-0,67925
8:26	-1,20560	0,00000	-0,67925
8:32	-0,50761	0,00000	-0,75472
8:38	-0,49036	0,00000	-0,75472
8:44	0,06345	0,00000	-0,75472
8:50	0,06345	0,00000	-0,75472
8:56	-0,06345	0,00000	-0,75472
9:02	0,12690	0,00000	-0,75472
9:08	0,06345	0,00000	-0,75472
9:14	0,06345	0,00000	-0,75472
9:20	0,06345	0,00000	-0,75472
9:26	-0,12690	0,00000	-0,75472
9:32	-0,12690	0,00000	-0,75472

Time (hh:mm)	DEP-1 Calculated Field, (V/m)	DEP-2 Calculated Field, (V/m)	DEP-3 Calculated Field, (V/m)
9:38	0,19036	0,00000	-0,75472
9:44	-0,19036	0,00000	-0,75472
9:50	0,19036	0,00000	-0,75472
9:56	0,12690	0,00000	-0,75472
10:02	-0,19036	0,00000	-0,67925
10:08	-0,19036	0,00000	-0,67925
10:14	-0,19036	0,00000	-0,67925
10:20	-0,19036	0,00000	-0,67925
10:26	-0,19036	0,00000	-0,60377
10:32	-0,19036	0,00000	-0,60377
10:38	-0,19036	0,00000	-0,60377
10:44	-0,34210	0,00000	-0,60377
10:50	0,25381	0,00000	-0,60377
10:56	-0,12690	0,00000	-0,60377
11:02	0,19036	0,00000	-0,60377
11:08	-0,19036	0,00000	-0,60377
11:14	-0,19036	0,00000	-0,60377
11:20	-0,06345	0,00000	-0,52830
11:26	-0,12690	0,00000	-0,60377
11:32	0,12690	0,00000	-0,60377
11:38	-0,12690	0,00000	-0,60377
11:44	0,12690	0,00000	-0,60377
11:50	0,12690	0,00000	-0,60377
11:56	-0,12690	0,00000	-0,60377
12:02	-0,12690	0,00000	-0,60377
12:08	0,19036	0,00000	-0,67925
12:14	-0,19036	0,00000	-0,67925
12:20	-0,12690	0,00000	-0,67925
12:26	-0,12690	0,00000	-0,75472
12:32	0,12690	0,00000	-0,83019
12:38	-0,19036	0,00000	-0,75472
12:44	-0,12690	0,00000	-0,75472
12:50	-0,12690	0,00000	-0,75472
12:56	-0,12690	0,00000	-0,83019
13:02	-0,12690	0,00000	-0,83019
13:08	-0,19036	0,00000	-0,83019
13:14	-0,12690	0,00000	-0,83019
13:20	-0,19036	0,00000	-0,83019
13:26	0,19036	0,00000	-0,90566
13:32	0,12690	0,00000	-0,90566
13:38	-0,12690	0,00000	-0,98113
13:44	0,12690	0,00000	-0,90566
13:50	-0,12690	0,00000	-0,90566
13:56	0,12690	0,00000	-0,90566
14:02	-0,12690	0,00000	-0,90566
14:08	-0,12690	0,00000	-0,90566
14:14	-0,12690	0,00000	-0,90566
14:20	0,06345	0,00000	-0,98113
14:26	0,06345	0,00000	-1,05660
14:32	0,06345	0,00000	-0,90566

Time (hh:mm)	DEP-1 Calculated Field, (V/m)	DEP-2 Calculated Field, (V/m)	DEP-3 Calculated Field, (V/m)
14:38	-0,12690	0,00000	-0,90566
14:44	-0,12690	0,00000	-1,13210
14:50	0,06345	0,00000	-1,13210
14:56	-0,12690	0,00000	-1,28300
15:02	0,06345	0,00000	-1,28300
15:08	-0,12690	0,00000	-1,20750
15:14	-0,06345	0,00000	-1,28300
15:20	-0,06345	0,00000	-1,20750
15:26	-0,06345	0,00000	-1,28300
15:32	-0,12690	0,00000	-1,20750
15:38	0,06345	0,00000	-1,28300
15:44	0,12690	0,00000	-1,28300
15:50	0,12690	0,00000	-1,35850
15:56	0,06345	0,00000	-1,28300
16:02	0,06345	0,00000	-1,28300
16:08	-0,06345	0,00000	-1,28300
16:14	-0,12690	0,00000	-1,20750
16:20	0,12690	0,00000	-1,13210
16:26	-0,06345	0,00000	-1,05660
16:32	0,12690	0,00000	-1,13210
16:38	-0,12690	0,00000	-1,05660
16:44	-0,06345	0,00000	-1,13210
16:50	0,12690	0,00000	-1,05660
16:56	0,06345	0,00000	-1,05660
17:02	0,06345	0,00000	-1,05660
17:08	0,12690	0,00000	-1,13210
17:14	-0,06345	0,00000	-0,90566
17:20	-0,12690	0,00000	-0,90566
17:26	0,12690	0,00000	-1,05660
17:32	-0,12690	0,00000	-0,98113
17:38	0,12690	0,00000	-1,13210
17:44	-0,12690	0,00000	-1,13210
17:50	-0,12690	0,00000	-1,13210
17:56	-0,12690	0,00000	-1,20750
18:02	-0,90566	0,00000	-0,98113
18:08	0,12690	0,00000	-1,13210
18:14	-0,12690	0,00000	-1,20750
18:20	0,12690	0,00000	-1,20750
18:26	0,12690	0,00000	-1,13210
18:32	0,12690	0,00000	-1,13210
18:38	-0,12690	0,00000	-1,13210
18:44	-0,12690	0,00000	-1,13210
18:50	-0,12690	0,00000	-1,20750
18:56	0,19036	0,00000	-1,13210
19:02	-0,19036	0,00000	-1,13210
19:08	-0,12690	0,00000	-1,13210
19:14	0,12690	0,00000	-0,90566
19:20	-0,12690	0,00000	-1,13210
19:26	0,12690	0,00000	-1,13210
19:32	-0,12690	0,00000	-1,20750

Time (hh:mm)	DEP-1 Calculated Field, (V/m)	DEP-2 Calculated Field, (V/m)	DEP-3 Calculated Field, (V/m)
19:38	-0,12690	0,00000	-1,13210
19:44	-0,12690	0,00000	-1,20750
19:50	-0,12690	0,00000	-1,50940
19:56	0,12690	0,00000	-1,50940
20:02	-0,12690	0,00000	-1,50940
20:08	0,12690	0,00000	-1,43400
20:14	0,12690	0,00000	-1,43400
20:20	-0,19036	0,00000	-1,35850
20:26	-0,19036	0,00000	-1,28300
20:32	0,25381	0,00000	-1,28300
20:38	-0,25381	0,00000	-1,28300
20:44	-0,19036	0,00000	-1,28300
20:50	-0,25381	0,00000	-1,28300
20:56	0,25381	0,00000	-1,28300
21:02	0,25381	0,00000	-1,28300
21:08	0,25381	0,00000	-1,20750
21:14	0,19036	0,00000	-1,20750
21:20	0,25381	0,00000	-1,20750
21:26	-0,31726	0,00000	-1,20750
21:32	-0,25381	0,00000	-1,28300
21:38	0,19036	0,00000	-1,28300
21:44	0,31726	0,00000	-1,28300

Time (hh:mm)	DEP-1 Calculated Field, (V/m)	DEP-2 Calculated Field, (V/m)	DEP-3 Calculated Field, (V/m)
21:50	0,31726	0,00000	-1,20750
21:56	0,63215	0,00000	-1,20750
22:02	0,63215	0,00000	-1,28300
22:08	0,95489	0,00000	-1,88680
22:14	0,31726	0,00000	-1,88680
22:20	0,31726	0,00000	-1,88680
22:26	0,63452	0,00000	-1,88680
22:32	0,31726	0,00000	0,00000
22:38	0,31726	0,00000	-1,96230
22:44	0,06345	0,00000	-2,18870
22:50	0,25381	0,00000	-2,33960
22:56	0,31726	0,00000	-2,33960
23:02	0,19036	0,00000	-2,33960
23:08	0,19036	0,00000	-2,26420
23:14	0,12690	0,00000	-2,18870
23:20	0,06345	0,00000	-1,96230
23:26	0,00000	0,00000	-1,96230
23:32	0,00000	0,00000	-1,96230
23:38	0,06345	0,00000	-1,96230
23:44	0,06345	0,00000	-2,18870
23:50	0,06345	0,00000	-2,11320
23:56	0,06345	0,00000	-1,96230

Annex 25. Information from DEP-sensors for 11/05/00

Time (hh:mm)	DEP-1 Calculated Field, (V/m)	DEP-2 Calculated Field, (V/m)	DEP-3 Calculated Field, (V/m)
0:02	0,06345	0,00000	-1,88680
0:08	0,06345	0,00000	-1,81130
0:14	0,06345	0,00000	-1,73580
0:20	0,31726	0,00000	-1,66040
0:26	0,31726	0,00000	-1,50940
0:32	0,24531	0,00000	-1,43400
0:38	0,24531	0,00000	-1,28300
0:44	0,06345	0,00000	-1,13210
0:50	0,06345	0,00000	-0,98113
0:56	0,11198	0,00000	-0,90566
1:02	0,11198	0,00000	-0,75472
1:08	0,06345	0,00000	-0,67925
1:14	0,06345	0,00000	-0,67925
1:20	0,06345	0,00000	-0,60377
1:26	0,06345	0,00000	-0,60377
1:32	0,11198	0,00000	-0,60377
1:38	0,31726	0,00000	-0,67925
1:44	0,31726	0,00000	-0,98113
1:50	0,06345	0,00000	-1,28300
1:56	0,06345	0,00000	-1,28300
2:02	0,06345	0,00000	-1,28300
2:08	-1,52280	0,00000	-1,28300
2:14	-1,52280	0,00000	-1,13210
2:20	-0,06345	0,00000	-0,98113
2:26	0,25381	0,00000	-0,98113
2:32	-3,04570	0,00000	-0,90566
2:38	-1,52280	0,00000	-0,75472
2:44	1,33250	0,00000	-0,75472
2:50	1,26900	0,00000	-0,90566
2:56	-3,29950	0,00000	-0,83019
3:02	1,84010	0,00000	-0,83019
3:08	1,84010	0,00000	-0,83019
3:14	1,90360	0,00000	-0,83019
3:20	-2,22080	0,00000	-0,90566
3:26	2,03050	0,00000	-0,90566
3:32	-1,90360	0,00000	-0,90566
3:38	-1,96700	0,00000	-0,90566
3:44	1,96700	0,00000	-0,90566
3:50	3,99750	0,00000	-0,90566
3:56	0,00000	0,00000	-0,67925
4:02	-1,84010	0,00000	-0,45283
4:08	1,58630	0,00000	-0,45283
4:14	1,33250	0,00000	-0,37736
4:20	0,69797	0,00000	-0,45283
4:26	0,76142	0,00000	-0,45283
4:32	-0,63452	0,00000	0,67925
4:38	0,57107	0,00000	0,75472
4:44	-1,20560	0,00000	0,52830

Time (hh:mm)	DEP-1 Calculated Field, (V/m)	DEP-2 Calculated Field, (V/m)	DEP-3 Calculated Field, (V/m)
4:50	-0,82487	0,00000	0,52830
4:56	0,95178	0,00000	0,60377
5:02	-0,88832	0,00000	0,52830
5:08	-1,07870	0,00000	0,52830
5:14	-1,14210	0,00000	0,60377
5:20	-1,64970	0,00000	0,52830
5:26	-1,52280	0,00000	0,52830
5:32	-1,64970	0,00000	-0,45283
5:38	-1,39590	0,00000	0,52830
5:44	-1,71320	0,00000	0,60377
5:50	-1,39590	0,00000	0,60377
5:56	-1,64970	0,00000	0,60377
6:02	-1,64970	0,00000	-0,45283
6:08	-1,77660	0,00000	0,60377
6:14	-1,77660	0,00000	0,52830
6:20	-1,45940	0,00000	0,52830
6:26	-1,45940	0,00000	-0,52830
6:32	-1,64970	0,00000	-0,52830
6:38	-1,39590	0,00000	-0,52830
6:44	-1,90360	0,00000	-0,45283
6:50	-1,90360	0,00000	-0,52830
6:56	-1,52280	0,00000	-0,52830
7:02	-1,58630	0,00000	-0,52830
7:08	-1,58630	0,00000	-0,52830
7:14	-1,71320	0,00000	-0,52830
7:20	-2,09390	0,00000	-0,45283
7:26	-1,71320	0,00000	-0,52830
7:32	-1,45940	0,00000	-0,52830
7:38	-1,52280	0,00000	-0,45283
7:44	0,50761	0,00000	-0,52830
7:50	0,38071	0,00000	-0,45283
7:56	-0,06345	0,00000	-0,52830
8:02	0,00000	0,00000	-0,45283
8:08	-0,25381	0,00000	-0,45283
8:14	0,00000	0,00000	-0,52830
8:20	0,00000	0,00000	-0,52830
8:26	0,00000	0,00000	-0,45283
8:32	0,12690	0,00000	-1,88680
8:38	13,13450	0,00000	-3,84910
8:44	13,13450	0,00000	-4,67920
8:50	13,13450	0,00000	-4,98110
8:56	12,37310	0,00000	-4,90570
9:02	12,37310	0,00000	-5,05660
9:08	13,13450	0,00000	-4,90570
9:14	12,37310	0,00000	-4,60380
9:20	10,34260	0,00000	-4,37740
9:26	10,34260	0,00000	-4,37740
9:32	13,13450	0,00000	-4,30190

Time (hh:mm)	DEP-1 Calculated Field, (V/m)	DEP-2 Calculated Field, (V/m)	DEP-3 Calculated Field, (V/m)
9:38	9,70810	0,00000	-3,62260
9:44	9,70810	0,00000	-3,54720
9:50	9,13710	0,00000	-3,39620
9:56	9,13710	0,00000	-3,47170
10:02	3,36290	0,00000	-3,47170
10:08	8,12180	0,00000	-3,39620
10:14	7,61420	0,00000	-3,39620
10:20	5,96450	0,00000	-3,47170
10:26	-5,01270	0,00000	-3,39620
10:32	2,28430	0,00000	-3,39620
10:38	1,14210	0,00000	-3,47170

Time (hh:mm)	DEP-1 Calculated Field, (V/m)	DEP-2 Calculated Field, (V/m)	DEP-3 Calculated Field, (V/m)
10:44	-1,33250	0,00000	-3,47170
10:50	1,33250	0,00000	-3,47170
10:56	1,39590	0,00000	-3,47170
11:02	1,26900	0,00000	-3,39620
11:08	-1,52280	0,00000	-3,39620
11:14	1,45940	0,00000	-3,39620
11:20	1,33250	0,00000	-3,32080
11:26	-1,39590	0,00000	-3,32080
11:32	-1,52280	0,00000	-3,47170
11:38	1,45940	0,00000	-3,39620

Annex 26. Information from DEP-sensors for 17/05/00

Time (hh:mm)	DEP-1 Calculated Field, (V/m)	DEP-2 Calculated Field, (V/m)	DEP-3 Calculated Field, (V/m)
0:00	-0,06345	0,00000	-1,81130
0:06	-0,06345	0,00000	-1,88680
0:12	-0,06345	0,00000	-1,88680
0:18	-0,06345	0,00000	-1,66040
0:24	-0,06345	0,00000	-1,73580
0:30	-0,06345	0,00000	-1,73580
0:36	-0,06345	0,00000	-1,73580
0:42	-0,06345	0,00000	-1,73580
0:48	-0,06345	0,00000	-1,88680
0:54	-0,06345	0,00000	-1,88680
1:00	-0,06345	0,00000	-1,81130
1:06	-0,06345	0,00000	-1,81130
1:12	-0,06345	0,00000	-1,81130
1:18	-0,06345	0,00000	-1,81130
1:24	-0,06345	0,00000	-1,88680
1:30	-0,06345	0,00000	-1,81130
1:36	-0,06345	0,00000	-1,81130
1:42	-0,06345	0,00000	-1,81130
1:48	-0,06345	0,00000	-1,81130
1:54	-0,06345	0,00000	0,00000
2:00	-0,06345	0,00000	-1,73580
2:06	-0,06345	0,00000	-0,45283
2:12	-0,06345	0,00000	-1,73580
2:18	-0,06345	0,00000	-0,52830
2:24	-0,06345	0,00000	-0,37736
2:30	-0,06345	0,00000	-0,45283
2:36	-0,06345	0,00000	-0,52830
2:42	-0,06345	0,00000	-0,83019
2:48	-0,06345	0,00000	-1,43400
2:54	-0,06345	0,00000	-1,73580
3:00	-1,52280	0,00000	-1,73580
3:06	-0,06345	0,00000	-2,26420
3:12	-1,52280	0,00000	-0,90566
3:18	2,98220	0,00000	-0,83019
3:24	0,19036	0,00000	-0,90566
3:30	-0,06345	0,00000	-0,90566
3:36	-1,52280	0,00000	-0,90566
3:42	-1,52280	0,00000	-0,90566
3:48	-1,52280	0,00000	-0,67925
3:54	-1,52280	0,00000	-0,60377
4:00	1,90360	0,00000	-0,52830
4:06	-2,91880	0,00000	1,35850
4:12	3,55330	0,00000	1,50940
4:18	-3,99750	0,00000	1,50940
4:24	-3,80710	0,00000	1,28300
4:30	-3,42640	0,00000	1,28300
4:36	-3,36290	0,00000	1,66040
4:42	-5,64720	0,00000	4,90570

Time (hh:mm)	DEP-1 Calculated Field, (V/m)	DEP-2 Calculated Field, (V/m)	DEP-3 Calculated Field, (V/m)
4:48	-5,01270	0,00000	5,96230
4:54	-3,17260	0,00000	2,49060
5:00	-1,52280	0,00000	1,20750
5:06	-1,90360	0,00000	1,05660
5:12	-1,45940	0,00000	1,05660
5:18	-1,96700	0,00000	1,28300
5:24	-1,64970	0,00000	0,83019
5:30	-2,03050	0,00000	1,05660
5:36	-2,34770	0,00000	1,13210
5:42	-1,84010	0,00000	1,20750
5:48	-1,84010	0,00000	0,75472
5:54	-1,84010	0,00000	-0,52830
6:00	-1,84010	0,00000	-0,75472
6:06	-1,71320	0,00000	-0,60377
6:12	-1,77660	0,00000	-0,67925
6:18	-1,84010	0,00000	-0,60377
6:24	-1,90360	0,00000	0,67925
6:30	-2,15740	0,00000	0,60377
6:36	-1,96700	0,00000	-0,52830
6:42	-2,34770	0,00000	-0,60377
6:48	-2,22080	0,00000	-0,67925
6:54	-2,15740	0,00000	-0,67925
7:00	-1,71320	0,00000	-0,67925
7:06	-1,96700	0,00000	-0,75472
7:12	-1,90360	0,00000	-0,90566
7:18	-1,77660	0,00000	-0,75472
7:24	-1,90360	0,00000	-0,83019
7:30	-2,34770	0,00000	-0,83019
7:36	-1,90360	0,00000	-0,83019
7:42	-1,96700	0,00000	-0,90566
7:48	-1,14210	0,00000	-0,83019
7:54	1,26900	0,00000	-0,83019
8:00	-1,52280	0,00000	-0,83019
8:06	0,00000	0,00000	-0,83019
8:12	0,00000	0,00000	-0,83019
8:18	-0,06345	0,00000	-0,83019
8:24	0,00000	0,00000	-0,83019
8:30	0,00000	0,00000	-0,83019
8:36	-0,06345	0,00000	-0,90566
8:42	-0,83019	0,00000	-0,90566
8:48	-0,83019	0,00000	-0,90566
8:54	0,67925	0,00000	-0,75472
9:00	0,90566	0,00000	-0,90566
9:06	0,83019	0,00000	-0,90566
9:12	-1,52280	0,00000	-0,90566
9:18	0,00000	0,00000	-0,90566
9:24	0,00000	0,00000	-0,90566
9:30	-0,06345	0,00000	-0,90566

Time (hh:mm)	DEP-1 Calculated Field, (V/m)	DEP-2 Calculated Field, (V/m)	DEP-3 Calculated Field, (V/m)
9:36	0,00000	0,00000	-0,90566
9:42	0,00000	0,00000	-0,98113
9:48	-0,06345	0,00000	-0,98113
9:54	-0,83019	0,00000	-0,98113
10:00	-0,83019	0,00000	-0,98113
10:06	0,67925	0,00000	-0,90566
10:12	-0,98113	0,00000	-0,90566
10:18	-0,98113	0,00000	-0,90566
10:24	-0,98113	0,00000	-0,90566
10:30	-0,90566	0,00000	-0,83019
10:36	-0,90566	0,00000	-0,83019
10:42	-0,15094	0,00000	-0,83019
10:48	-0,15094	0,00000	-0,83019
10:54	-0,15094	0,00000	-0,83019
11:00	-0,15094	0,00000	-0,83019
11:06	-0,15094	0,00000	-0,75472
11:12	-0,15094	0,00000	-0,83019
11:18	-0,15094	0,00000	-0,75472
11:24	-0,15094	0,00000	-0,75472
11:30	-0,15094	0,00000	-0,75472
11:36	-0,15094	0,00000	-0,75472
11:42	-0,15094	0,00000	-0,75472
11:48	-0,22642	0,00000	-0,75472
11:54	-0,22642	0,00000	-0,75472
12:00	-0,22642	0,00000	-0,83019
12:06	-0,22642	0,00000	-0,83019
12:12	3,15005	0,00000	0,67925
12:18	3,98001	0,00000	0,90566
12:24	1,90176	0,00000	0,83019
12:30	3,00986	0,00000	0,67925
12:36	2,98034	0,00000	0,90566
12:42	3,15005	0,00000	-0,67925
12:48	3,15005	0,00000	-0,60377
12:54	2,98034	0,00000	-0,60377
13:00	3,45367	0,00000	-0,60377
13:06	3,98001	0,00000	-0,60377
13:12	-0,83019	0,00000	-1,13210
13:18	-0,83019	0,00000	-1,28300
13:24	-0,83019	0,00000	-1,28300
13:30	0,67925	0,00000	-1,35850
13:36	0,90566	0,00000	-1,35850
13:42	0,83019	0,00000	-1,28300
13:48	-0,21352	0,00000	-1,28300
13:54	-0,14235	0,00000	-1,35850
14:00	-0,14235	0,00000	-1,28300
14:06	0,14235	0,00000	-1,28300
14:12	0,14235	0,00000	-1,35850
14:18	0,21352	0,00000	-1,28300
14:24	-0,28470	0,00000	-1,35850
14:30	0,14235	0,00000	-1,35850

Time (hh:mm)	DEP-1 Calculated Field, (V/m)	DEP-2 Calculated Field, (V/m)	DEP-3 Calculated Field, (V/m)
14:36	0,28470	0,00000	-1,35850
14:42	0,21352	0,00000	-1,35850
14:48	0,28470	0,00000	-1,35850
14:54	0,21352	0,00000	-1,35850
15:00	-0,07547	0,00000	-1,43400
15:06	-0,07547	0,00000	-1,43400
15:12	-0,15094	0,00000	-1,43400
15:18	0,07547	0,00000	-1,43400
15:24	-0,07547	0,00000	-1,50940
15:30	0,15094	0,00000	-1,43400
15:36	-0,31726	0,00000	-1,50940
15:42	-0,38071	0,00000	-1,50940
15:48	-0,38071	0,00000	-1,50940
15:54	-0,50761	0,00000	-1,50940
16:00	-0,44416	0,00000	-1,50940
16:06	-0,76142	0,00000	-1,43400
16:12	-0,76142	0,00000	-1,43400
16:18	0,76142	0,00000	-1,43400
16:24	0,63452	0,00000	-1,35850
16:30	-0,69797	0,00000	-1,35850
16:36	-0,63452	0,00000	-1,43400
16:42	-0,69797	0,00000	-1,35850
16:48	-0,82487	0,00000	-1,28300
16:54	-0,88832	0,00000	-1,28300
17:00	-0,63452	0,00000	-1,28300
17:06	-0,31726	0,00000	-1,28300
17:12	-0,38071	0,00000	-1,28300
17:18	-0,38071	0,00000	-1,28300
17:24	-0,50761	0,00000	-1,28300
17:30	-0,44416	0,00000	-1,28300
17:36	-0,76142	0,00000	-1,28300
17:42	-0,76142	0,00000	-1,28300
17:48	0,76142	0,00000	-1,28300
17:54	0,63452	0,00000	-1,28300
18:00	-0,69797	0,00000	-1,28300
18:06	-0,63452	0,00000	-1,28300
18:12	-0,69797	0,00000	-1,20750
18:18	-0,82487	0,00000	-1,28300
18:24	-0,88832	0,00000	-1,20750
18:30	-0,63452	0,00000	-1,28300
18:36	-0,98113	0,00000	-1,20750
18:42	-0,98113	0,00000	-1,28300
18:48	-0,98113	0,00000	-1,28300
18:54	-0,90566	0,00000	-1,28300
19:00	-0,90566	0,00000	-1,28300
19:06	-0,30189	0,00000	-1,28300
19:12	-0,30189	0,00000	-1,28300
19:18	-0,30189	0,00000	-1,28300
19:24	-0,30189	0,00000	-1,28300
19:30	-0,30189	0,00000	-1,28300

Time (hh:mm)	DEP-1 Calculated Field, (V/m)	DEP-2 Calculated Field, (V/m)	DEP-3 Calculated Field, (V/m)
19:36	-1,45940	0,00000	-1,28300
19:42	-1,45940	0,00000	-1,28300
19:48	-1,45940	0,00000	-1,28300
19:54	-1,45940	0,00000	-1,73580
20:00	-1,52280	0,00000	-1,66040
20:06	-1,45940	0,00000	-1,73580
20:12	-0,07547	0,00000	-1,73580
20:18	-0,07547	0,00000	-1,66040
20:24	-0,15094	0,00000	-1,66040
20:30	0,07547	0,00000	-1,66040
20:36	-0,07547	0,00000	-1,66040
20:42	0,15094	0,00000	-1,66040
20:48	0,15094	0,00000	-1,66040
20:54	0,15094	0,00000	-1,66040
21:00	-0,15094	0,00000	-1,66040
21:06	-1,45940	0,00000	-1,66040
21:12	-1,45940	0,00000	-1,66040
21:18	-1,45940	0,00000	-1,66040
21:24	-1,45940	0,00000	-1,66040
21:30	-1,52280	0,00000	-1,66040
21:36	-1,45940	0,00000	-1,73580
21:42	-0,90566	0,00000	-1,73580

Time (hh:mm)	DEP-1 Calculated Field, (V/m)	DEP-2 Calculated Field, (V/m)	DEP-3 Calculated Field, (V/m)
21:48	-0,90566	0,00000	-1,73580
21:54	-0,90566	0,00000	-1,73580
22:00	-0,90566	0,00000	-1,73580
22:06	-0,90566	0,00000	-1,73580
22:12	-0,90566	0,00000	-1,73580
22:18	-0,90566	0,00000	-1,73580
22:24	-0,90566	0,00000	-1,66040
22:30	-0,90566	0,00000	-1,66040
22:36	-0,90566	0,00000	-1,43400
22:42	-0,90566	0,00000	-1,58490
22:48	-0,90566	0,00000	-1,35850
22:54	-0,90566	0,00000	-1,35850
23:00	-0,90566	0,00000	-1,28300
23:06	-0,90566	0,00000	-1,35850
23:12	-0,90566	0,00000	-1,96230
23:18	0,06345	0,00000	-1,96230
23:24	0,06345	0,00000	-2,26420
23:30	0,06345	0,00000	-2,26420
23:36	0,12690	0,00000	-2,33960
23:42	0,12690	0,00000	-2,33960
23:48	0,12690	0,00000	-2,26420
23:54	0,12690	0,00000	-2,26420

Annex 27. Information from DEP-sensors for 18/05/00

Time (hh:mm)	DEP-1 Calculated Field, (V/m)	DEP-2 Calculated Field, (V/m)	DEP-3 Calculated Field, (V/m)
0:00	0,06345	0,00000	-1,96230
0:06	0,06345	0,00000	-2,18870
0:12	0,06345	0,00000	-1,96230
0:18	0,00000	0,00000	-1,96230
0:24	0,00000	0,00000	-1,81130
0:30	0,00000	0,00000	-1,73580
0:36	0,00000	0,00000	-1,66040
0:42	0,00000	0,00000	-1,43400
0:48	0,00000	0,00000	-1,35850
0:54	0,00000	0,00000	-1,28300
1:00	0,00000	0,00000	-1,20750
1:06	-0,06345	0,00000	-1,13210
1:12	-0,06345	0,00000	-1,13210
1:18	-0,06345	0,00000	-0,98113
1:24	-0,06345	0,00000	0,00000
1:30	-0,06345	0,00000	-0,98113
1:36	-0,06345	0,00000	-0,98113
1:42	-0,06345	0,00000	-0,98113
1:48	-0,06345	0,00000	-0,90566
1:54	-0,06345	0,00000	-0,98113
2:00	-0,06345	0,00000	-0,90566
2:06	-0,06345	0,00000	-0,90566
2:12	-0,06345	0,00000	-0,90566
2:18	-0,06345	0,00000	-0,90566
2:24	-0,06345	0,00000	-0,98113
2:30	0,06345	0,00000	-0,98113
2:36	0,06345	0,00000	0,00000
2:42	-0,06345	0,00000	-0,98113
2:48	-0,06345	0,00000	0,00000
2:54	-0,06345	0,00000	-0,98113
3:00	-0,06345	0,00000	-0,98113
3:06	-0,06345	0,00000	-0,98113
3:12	-1,26900	0,00000	-0,98113
3:18	0,06345	0,00000	-0,98113
3:24	-0,06345	0,00000	-0,98113
3:30	-0,06345	0,00000	-1,05660
3:36	-1,77660	0,00000	-1,05660
3:42	-1,52280	0,00000	-1,05660
3:48	-0,06345	0,00000	-1,05660
3:54	-0,06345	0,00000	-1,13210
4:00	0,88832	0,00000	-0,52830
4:06	0,76142	0,00000	-0,37736
4:12	-1,52280	0,00000	-0,37736
4:18	1,33250	0,00000	-0,45283
4:24	-1,33250	0,00000	-0,37736
4:30	1,14210	0,00000	-0,52830
4:36	-1,33250	0,00000	-0,52830
4:42	1,39590	0,00000	-0,52830

Time (hh:mm)	DEP-1 Calculated Field, (V/m)	DEP-2 Calculated Field, (V/m)	DEP-3 Calculated Field, (V/m)
4:48	0,63452	0,00000	-0,52830
4:54	-1,01520	0,00000	-0,45283
5:00	0,95178	0,00000	-0,45283
5:06	-1,07870	0,00000	-0,52830
5:12	-1,20560	0,00000	-0,52830
5:18	-0,82487	0,00000	0,52830
5:24	-1,07870	0,00000	-0,52830
5:30	-1,07870	0,00000	-0,45283
5:36	-1,26900	0,00000	-0,45283
5:42	-1,20560	0,00000	-0,45283
5:48	-1,90360	0,00000	-0,45283
5:54	-1,84010	0,00000	-0,45283
6:00	-1,45940	0,00000	-0,52830
6:06	-1,71320	0,00000	-0,52830
6:12	-1,71320	0,00000	-0,52830
6:18	-1,84010	0,00000	-0,45283
6:24	-1,84010	0,00000	-0,45283
6:30	-1,90360	0,00000	-0,45283
6:36	-1,90360	0,00000	-0,45283
6:42	-1,96700	0,00000	-0,45283
6:48	-1,96700	0,00000	-0,45283
6:54	-2,03050	0,00000	-0,45283
7:00	-2,03050	0,00000	-0,45283
7:06	-2,03050	0,00000	-0,45283
7:12	-1,90360	0,00000	-0,45283
7:18	-2,09390	0,00000	-0,52830
7:24	-2,15740	0,00000	-0,52830
7:30	-1,84010	0,00000	-0,52830
7:36	-2,28430	0,00000	-0,52830
7:42	-2,22080	0,00000	-0,45283
7:48	-2,15740	0,00000	-0,52830
7:54	-1,39590	0,00000	-0,60377
8:00	0,57107	0,00000	-0,60377
8:06	0,00000	0,00000	-0,60377
8:12	0,00000	0,00000	-0,60377
8:18	-0,06345	0,00000	-0,60377
8:24	-0,52830	0,00000	-0,60377
8:30	-0,52830	0,00000	-0,60377
8:36	-0,52830	0,00000	-0,67925
8:42	-0,52830	0,00000	-0,67925
8:48	-0,45283	0,00000	-0,67925
8:54	-0,52830	0,00000	-0,67925
9:00	-0,60377	0,00000	-0,67925
9:06	-0,60377	0,00000	-0,67925
9:12	-0,60377	0,00000	-0,67925
9:18	-0,60377	0,00000	-0,67925
9:24	-0,60377	0,00000	-0,75472
9:30	-0,60377	0,00000	-0,75472

Time (hh:mm)	DEP-1 Calculated Field, (V/m)	DEP-2 Calculated Field, (V/m)	DEP-3 Calculated Field, (V/m)
9:36	-0,60377	0,00000	-0,75472
9:42	-0,67925	0,00000	-0,75472
9:48	-0,60377	0,00000	-0,75472
9:54	-0,60377	0,00000	-0,75472
10:00	-0,60377	0,00000	-0,75472
10:06	-0,60377	0,00000	-0,67925
10:12	-0,60377	0,00000	-0,67925
10:18	-0,67925	0,00000	-0,67925
10:24	-0,67925	0,00000	-0,67925
10:30	-0,67925	0,00000	-0,60377
10:36	-0,67925	0,00000	-0,60377
10:42	-0,67925	0,00000	-0,60377
10:48	-0,67925	0,00000	-0,60377
10:54	-0,67925	0,00000	-0,60377
11:00	-0,90566	0,00000	-0,60377
11:06	-0,90566	0,00000	-0,60377
11:12	-0,90566	0,00000	-0,60377
11:18	-0,90566	0,00000	-0,60377
11:24	-0,90566	0,00000	-0,60377
11:30	-0,90566	0,00000	-0,52830
11:36	-0,90566	0,00000	-0,60377
11:42	-0,90566	0,00000	-0,60377
11:48	-0,90566	0,00000	-0,60377
11:54	-0,90566	0,00000	-0,60377
12:00	-0,90566	0,00000	-0,60377
12:06	2,98701	0,00000	-0,60377
12:12	2,98701	0,00000	0,90566
12:18	3,78901	0,00000	0,90566
12:24	3,54621	0,00000	0,83019
12:30	3,11109	0,00000	0,75472
12:36	3,11109	0,00000	0,90566
12:42	2,98701	0,00000	0,67925
12:48	3,67805	0,00000	0,67925
12:54	3,67805	0,00000	0,60377
13:00	2,90076	0,00000	0,90566
13:06	-0,52830	0,00000	-0,83019
13:12	-0,52830	0,00000	-1,13210
13:18	-0,52830	0,00000	-1,20750
13:24	-0,52830	0,00000	-1,28300
13:30	-0,45283	0,00000	-1,28300
13:36	-0,52830	0,00000	-1,28300
13:42	-0,60377	0,00000	-1,28300
13:48	-0,60377	0,00000	-1,20750
13:54	-0,60377	0,00000	-1,28300
14:00	-0,60377	0,00000	-1,20750
14:06	-0,60377	0,00000	-1,20750
14:12	-0,60377	0,00000	-1,20750
14:18	-0,60377	0,00000	-1,20750
14:24	-0,67925	0,00000	-1,20750
14:30	-0,45283	0,00000	-1,20750

Time (hh:mm)	DEP-1 Calculated Field, (V/m)	DEP-2 Calculated Field, (V/m)	DEP-3 Calculated Field, (V/m)
14:36	-0,45283	0,00000	-1,20750
14:42	-0,45283	0,00000	-1,20750
14:48	-0,45283	0,00000	-1,20750
14:54	-0,45283	0,00000	-1,20750
15:00	-0,37736	0,00000	-1,28300
15:06	-0,45283	0,00000	-1,28300
15:12	-0,60377	0,00000	-1,28300
15:18	-0,60377	0,00000	-1,28300
15:24	-0,67925	0,00000	-1,28300
15:30	-0,67925	0,00000	-1,28300
15:36	-0,67925	0,00000	-1,28300
15:42	-0,67925	0,00000	-1,35850
15:48	-0,31726	0,00000	-1,28300
15:54	-0,38071	0,00000	-1,28300
16:00	-0,38071	0,00000	-1,28300
16:06	-0,50761	0,00000	-1,28300
16:12	-0,44416	0,00000	-1,20750
16:18	-0,76142	0,00000	-1,20750
16:24	-0,76142	0,00000	-1,20750
16:30	0,76142	0,00000	-1,13210
16:36	0,63452	0,00000	-1,13210
16:42	-0,69797	0,00000	-1,13210
16:48	-0,63452	0,00000	-1,05660
16:54	-0,69797	0,00000	-0,90566
17:00	-0,82487	0,00000	-0,90566
17:06	-0,88832	0,00000	-1,05660
17:12	-0,63452	0,00000	-1,05660
17:18	-0,52830	0,00000	0,00000
17:24	-0,52830	0,00000	0,00000
17:30	-0,52830	0,00000	0,00000
17:36	-0,52830	0,00000	-1,05660
17:42	-0,45283	0,00000	-1,05660
17:48	-0,52830	0,00000	-1,13210
17:54	-0,60377	0,00000	-0,90566
18:00	-0,60377	0,00000	-1,05660
18:06	-0,60377	0,00000	-1,13210
18:12	-0,60377	0,00000	-0,98113
18:18	-0,60377	0,00000	0,00000
18:24	-0,60377	0,00000	-0,98113
18:30	-0,60377	0,00000	-1,13210
18:36	-0,67925	0,00000	-1,13210
18:42	-0,31726	0,00000	-0,98113
18:48	-0,38071	0,00000	-1,13210
18:54	-0,38071	0,00000	-1,13210
19:00	-0,50761	0,00000	-1,13210
19:06	-0,44416	0,00000	-1,20750
19:12	-0,76142	0,00000	-1,13210
19:18	-0,76142	0,00000	-1,20750
19:24	0,76142	0,00000	-1,20750
19:30	0,63452	0,00000	-1,20750

Time (hh:mm)	DEP-1 Calculated Field, (V/m)	DEP-2 Calculated Field, (V/m)	DEP-3 Calculated Field, (V/m)
19:36	-0,69797	0,00000	-1,20750
19:42	-0,63452	0,00000	-1,20750
19:48	-0,69797	0,00000	-1,28300
19:54	-0,82487	0,00000	-1,66040
20:00	-0,88832	0,00000	-1,73580
20:06	-0,63452	0,00000	-1,58490
20:12	-1,52280	0,00000	-1,58490
20:18	0,00000	0,00000	-1,50940
20:24	0,00000	0,00000	-1,58490
20:30	-0,06345	0,00000	-1,50940
20:36	0,00000	0,00000	-1,50940
20:42	0,00000	0,00000	-1,50940
20:48	-0,06345	0,00000	-1,50940
20:54	-0,83019	0,00000	-1,43400
21:00	-0,83019	0,00000	-1,50940
21:06	0,67925	0,00000	-1,50940
21:12	-0,15094	0,00000	-1,43400
21:18	-0,15094	0,00000	-1,43400
21:24	-0,15094	0,00000	-1,58490
21:30	-0,15094	0,00000	-1,66040
21:36	-0,15094	0,00000	-1,58490
21:42	-0,15094	0,00000	-1,66040

Time (hh:mm)	DEP-1 Calculated Field, (V/m)	DEP-2 Calculated Field, (V/m)	DEP-3 Calculated Field, (V/m)
21:48	-0,15094	0,00000	-1,50940
21:54	-0,15094	0,00000	-1,50940
22:00	-0,15094	0,00000	-1,58490
22:06	-0,15094	0,00000	-1,50940
22:12	-0,15094	0,00000	-1,50940
22:18	-0,22642	0,00000	-1,50940
22:24	-0,22642	0,00000	-1,50940
22:30	-0,22642	0,00000	-1,50940
22:36	-0,22642	0,00000	-1,58490
22:42	-0,22642	0,00000	-1,58490
22:48	-0,52830	0,00000	-1,58490
22:54	-0,52830	0,00000	-1,58490
23:00	-0,52830	0,00000	-1,50940
23:06	-0,52830	0,00000	-1,50940
23:12	-0,45283	0,00000	-1,43400
23:18	-0,52830	0,00000	-1,43400
23:24	-0,60377	0,00000	-1,43400
23:30	-0,60377	0,00000	-1,43400
23:36	-0,60377	0,00000	-1,35850
23:42	-0,60377	0,00000	-1,20750
23:48	-0,60377	0,00000	-1,20750
23:54	-0,60377	0,00000	-1,20750

Annex 28. Information from DEP-sensors for 19/05/00

Time (hh:mm)	DEP-1 Calculated Field, (V/m)	DEP-2 Calculated Field, (V/m)	DEP-3 Calculated Field, (V/m)
0:00	-0,06345	0,00000	-1,05660
0:06	-0,06345	0,00000	-1,13210
0:12	-0,06345	0,00000	-1,05660
0:18	-0,06345	0,00000	-0,98113
0:24	-0,06345	0,00000	-0,98113
0:30	-0,06345	0,00000	0,00000
0:36	0,00000	0,00000	-0,90566
0:42	0,00000	0,00000	-0,90566
0:48	0,00000	0,00000	-0,98113
0:54	0,00000	0,00000	-0,90566
1:00	0,00000	0,00000	-0,90566
1:06	0,00000	0,00000	-0,90566
1:12	0,00000	0,00000	-0,83019
1:18	-0,06345	0,00000	-0,83019
1:24	-0,06345	0,00000	-0,83019
1:30	0,00000	0,00000	-0,90566
1:36	-0,06345	0,00000	-0,83019
1:42	-0,06345	0,00000	-0,90566
1:48	-0,06345	0,00000	-0,83019
1:54	-0,06345	0,00000	-0,83019
2:00	-0,06345	0,00000	-0,83019
2:06	-0,06345	0,00000	-0,83019
2:12	-0,06345	0,00000	-0,90566
2:18	-0,06345	0,00000	-0,90566
2:24	-0,06345	0,00000	-0,90566
2:30	-0,06345	0,00000	-0,90566
2:36	-0,06345	0,00000	-0,98113
2:42	-0,06345	0,00000	-1,13210
2:48	-0,06345	0,00000	-1,05660
2:54	-0,06345	0,00000	-0,98113
3:00	-0,06345	0,00000	-1,05660
3:06	-0,06345	0,00000	-1,05660
3:12	-0,06345	0,00000	-1,05660
3:18	-0,06345	0,00000	-1,05660
3:24	-1,52280	0,00000	-1,13210
3:30	1,52280	0,00000	-1,20750
3:36	-0,06345	0,00000	-1,20750
3:42	1,52280	0,00000	-1,28300
3:48	0,12690	0,00000	-1,28300
3:54	-1,52280	0,00000	-1,13210
4:00	1,96700	0,00000	-0,67925
4:06	1,52280	0,00000	-0,37736
4:12	-1,07870	0,00000	-0,45283
4:18	2,03050	0,00000	-0,45283
4:24	1,14210	0,00000	-0,37736
4:30	-1,14210	0,00000	-0,52830
4:36	-1,64970	0,00000	-0,52830
4:42	-1,71320	0,00000	0,52830

Time (hh:mm)	DEP-1 Calculated Field, (V/m)	DEP-2 Calculated Field, (V/m)	DEP-3 Calculated Field, (V/m)
4:48	-1,20560	0,00000	-0,52830
4:54	-1,20560	0,00000	-0,45283
5:00	-1,33250	0,00000	-0,52830
5:06	-1,07870	0,00000	-0,52830
5:12	-1,33250	0,00000	-0,52830
5:18	-1,58630	0,00000	-0,30189
5:24	-1,84010	0,00000	-0,45283
5:30	-1,84010	0,00000	-0,45283
5:36	-1,84010	0,00000	-0,45283
5:42	-1,90360	0,00000	-0,45283
5:48	-1,71320	0,00000	-0,45283
5:54	-1,96700	0,00000	-0,45283
6:00	-1,64970	0,00000	-0,45283
6:06	-1,77660	0,00000	-0,45283
6:12	-1,84010	0,00000	-0,45283
6:18	-1,71320	0,00000	-0,45283
6:24	-1,71320	0,00000	-0,52830
6:30	-2,15740	0,00000	-0,45283
6:36	-2,22080	0,00000	-0,45283
6:42	-2,22080	0,00000	-0,45283
6:48	-2,22080	0,00000	-0,45283
6:54	-2,22080	0,00000	-0,45283
7:00	-2,22080	0,00000	-0,45283
7:06	-2,28430	0,00000	-0,45283
7:12	-1,84010	0,00000	-0,52830
7:18	-1,96700	0,00000	-0,52830
7:24	-1,96700	0,00000	-0,45283
7:30	-2,41120	0,00000	-0,52830
7:36	-1,90360	0,00000	-0,52830
7:42	-2,34770	0,00000	-0,52830
7:48	0,95178	0,00000	-0,52830
7:54	0,00000	0,00000	-0,52830
8:00	-0,25381	0,00000	-0,52830
8:06	0,00000	0,00000	-0,52830
8:12	0,00000	0,00000	-0,52830
8:18	0,00000	0,00000	-0,52830
8:24	0,00000	0,00000	-0,52830
8:30	-0,06345	0,00000	-0,60377
8:36	-0,06345	0,00000	-0,60377
8:42	-0,06345	0,00000	-0,60377
8:48	-0,06345	0,00000	-0,60377
8:54	-0,06345	0,00000	-0,67925
9:00	0,00000	0,00000	-0,67925
9:06	-0,06345	0,00000	-0,67925
9:12	-0,06345	0,00000	-0,67925
9:18	-0,06345	0,00000	-0,67925
9:24	-0,06345	0,00000	-0,67925
9:30	-0,06345	0,00000	-0,67925

Time (hh:mm)	DEP-1 Calculated Field, (V/m)	DEP-2 Calculated Field, (V/m)	DEP-3 Calculated Field, (V/m)
9:36	-0,06345	0,00000	-0,67925
9:42	0,00000	0,00000	-0,67925
9:48	-0,06345	0,00000	-0,67925
9:54	-0,06345	0,00000	-0,67925
10:00	-0,06345	0,00000	-0,67925
10:06	-0,06345	0,00000	-0,67925
10:12	-0,06345	0,00000	-0,67925
10:18	-0,06345	0,00000	-0,60377
10:24	0,00000	0,00000	-0,60377
10:30	-0,06345	0,00000	-0,60377
10:36	-0,67925	0,00000	-0,60377
10:42	-0,67925	0,00000	-0,52830
10:48	-0,67925	0,00000	-0,60377
10:54	-0,67925	0,00000	-0,52830
11:00	-0,67925	0,00000	-0,52830
11:06	-0,67925	0,00000	-0,52830
11:12	-0,67925	0,00000	-0,52830
11:18	-0,67925	0,00000	-0,52830
11:24	-0,60377	0,00000	-0,60377
11:30	-0,60377	0,00000	-0,52830
11:36	-0,60377	0,00000	-0,60377
11:42	-0,60377	0,00000	-0,52830
11:48	-0,52830	0,00000	-0,52830
11:54	-0,60377	0,00000	-0,52830
12:00	-0,52830	0,00000	-0,52830
12:06	2,00056	0,00000	0,90566
12:12	1,58971	0,00000	1,05660
12:18	1,58971	0,00000	0,98113
12:24	2,00056	0,00000	0,98113
12:30	2,24306	0,00000	0,83019
12:36	2,00056	0,00000	0,90566
12:42	2,24306	0,00000	0,90566
12:48	1,98056	0,00000	0,75472
12:54	1,98056	0,00000	0,67925
13:00	2,24306	0,00000	0,60377
13:06	-0,52830	0,00000	-0,98113
13:12	-0,52830	0,00000	-1,13210
13:18	-0,52830	0,00000	-1,20750
13:24	-0,52830	0,00000	-1,20750
13:30	-0,67925	0,00000	-1,13210
13:36	-0,67925	0,00000	-1,20750
13:42	-0,67925	0,00000	-1,20750
13:48	-0,67925	0,00000	-1,20750
13:54	-0,67925	0,00000	-1,13210
14:00	-0,67925	0,00000	-1,13210
14:06	-0,67925	0,00000	-1,13210
14:12	-0,67925	0,00000	-1,13210
14:18	-0,67925	0,00000	-1,13210
14:24	-0,67925	0,00000	-1,13210
14:30	-0,67925	0,00000	-1,13210

Time (hh:mm)	DEP-1 Calculated Field, (V/m)	DEP-2 Calculated Field, (V/m)	DEP-3 Calculated Field, (V/m)
14:36	-0,67925	0,00000	-0,90566
14:42	-0,60377	0,00000	-0,90566
14:48	-0,60377	0,00000	-1,13210
14:54	-0,31726	0,00000	-1,05660
15:00	-0,38071	0,00000	-1,20750
15:06	-0,38071	0,00000	-1,20750
15:12	-0,50761	0,00000	-0,98113
15:18	-0,44416	0,00000	-1,20750
15:24	-0,76142	0,00000	-1,20750
15:30	-0,76142	0,00000	-1,20750
15:36	0,76142	0,00000	-1,20750
15:42	0,63452	0,00000	-1,20750
15:48	-0,69797	0,00000	-1,20750
15:54	-0,63452	0,00000	-1,20750
16:00	-0,69797	0,00000	-1,13210
16:06	-0,82487	0,00000	-1,20750
16:12	-0,88832	0,00000	-1,13210
16:18	-0,63452	0,00000	-0,98113
16:24	-0,45283	0,00000	-0,90566
16:30	-0,45283	0,00000	-1,05660
16:36	-0,45283	0,00000	-0,90566
16:42	-0,45283	0,00000	-1,05660
16:48	-0,45283	0,00000	-0,90566
16:54	-0,37736	0,00000	-1,05660
17:00	-0,45283	0,00000	-1,05660
17:06	-0,60377	0,00000	-1,05660
17:12	-0,60377	0,00000	-0,98113
17:18	-0,67925	0,00000	-1,05660
17:24	-0,67925	0,00000	-0,90566
17:30	-0,67925	0,00000	-1,05660
17:36	-0,67925	0,00000	-1,05660
17:42	-0,30189	0,00000	-1,05660
17:48	-0,30189	0,00000	-1,13210
17:54	-0,30189	0,00000	-1,05660
18:00	-0,30189	0,00000	-0,90566
18:06	-0,30189	0,00000	-0,90566
18:12	-0,30189	0,00000	-1,05660
18:18	-0,30189	0,00000	0,00000
18:24	-0,30189	0,00000	-0,98113
18:30	-0,37736	0,00000	-0,98113
18:36	-0,07547	0,00000	-0,98113
18:42	-0,07547	0,00000	-0,98113
18:48	-0,15094	0,00000	-1,05660
18:54	0,07547	0,00000	-1,13210
19:00	-0,07547	0,00000	-1,13210
19:06	0,15094	0,00000	-1,13210
19:12	0,15094	0,00000	-0,98113
19:18	0,15094	0,00000	-1,13210
19:24	-0,15094	0,00000	-1,20750
19:30	-0,45283	0,00000	-1,28300

Time (hh:mm)	DEP-1 Calculated Field, (V/m)	DEP-2 Calculated Field, (V/m)	DEP-3 Calculated Field, (V/m)
19:36	-0,45283	0,00000	-1,20750
19:42	-0,45283	0,00000	-1,20750
19:48	-0,45283	0,00000	-1,20750
19:54	-0,45283	0,00000	-1,66040
20:00	-0,37736	0,00000	-1,58490
20:06	-0,45283	0,00000	-1,58490
20:12	-0,60377	0,00000	-1,58490
20:18	-0,60377	0,00000	-1,58490
20:24	-0,67925	0,00000	-1,50940
20:30	-0,67925	0,00000	-1,43400
20:36	-0,67925	0,00000	-1,43400
20:42	-0,67925	0,00000	-1,43400
20:48	-0,31726	0,00000	-1,43400
20:54	-0,38071	0,00000	-1,43400
21:00	-0,38071	0,00000	-1,43400
21:06	-0,50761	0,00000	-1,43400
21:12	-0,44416	0,00000	-1,43400
21:18	-0,76142	0,00000	-1,43400
21:24	-0,76142	0,00000	-1,35850
21:30	0,76142	0,00000	-1,35850
21:36	0,63452	0,00000	-1,35850
21:42	-0,69797	0,00000	-1,43400

Time (hh:mm)	DEP-1 Calculated Field, (V/m)	DEP-2 Calculated Field, (V/m)	DEP-3 Calculated Field, (V/m)
21:48	-0,63452	0,00000	-1,35850
21:54	-0,69797	0,00000	-1,43400
22:00	-0,82487	0,00000	-1,35850
22:06	-0,88832	0,00000	-1,35850
22:12	-0,63452	0,00000	-1,35850
22:18	-1,52280	0,00000	-1,35850
22:24	0,00000	0,00000	-1,35850
22:30	0,00000	0,00000	-1,28300
22:36	-0,06345	0,00000	-1,28300
22:42	0,00000	0,00000	-1,28300
22:48	0,00000	0,00000	-1,28300
22:54	-0,06345	0,00000	-1,20750
23:00	-0,83019	0,00000	-1,20750
23:06	-0,83019	0,00000	-1,20750
23:12	0,67925	0,00000	-1,13210
23:18	-0,98113	0,00000	-1,20750
23:24	-0,98113	0,00000	-1,13210
23:30	-0,98113	0,00000	-1,13210
23:36	-0,90566	0,00000	-1,05660
23:42	-0,90566	0,00000	-0,98113
23:48	-0,07547	0,00000	-0,98113
23:54	-0,07547	0,00000	-0,98113

Annex 29. Information from DEP-sensors for 20/05/00

Time (hh:mm)	DEP-1 Calculated Field, (V/m)	DEP-2 Calculated Field, (V/m)	DEP-3 Calculated Field, (V/m)
0:00	-0,06345	0,00000	-0,98113
0:06	-0,06345	0,00000	-0,98113
0:12	-0,06345	0,00000	-0,90566
0:18	-0,06345	0,00000	-0,90566
0:24	-0,06345	0,00000	0,00000
0:30	-0,06345	0,00000	-0,98113
0:36	-0,06345	0,00000	-0,90566
0:42	-0,06345	0,00000	0,00000
0:48	-0,06345	0,00000	-0,90566
0:54	-0,06345	0,00000	-0,90566
1:00	-0,06345	0,00000	-0,83019
1:06	-0,06345	0,00000	-0,90566
1:12	-0,06345	0,00000	-0,83019
1:18	-0,06345	0,00000	-0,90566
1:24	-0,06345	0,00000	-0,90566
1:30	-0,06345	0,00000	-0,83019
1:36	-0,06345	0,00000	-0,83019
1:42	-0,06345	0,00000	-0,90566
1:48	-0,06345	0,00000	-0,90566
1:54	-0,06345	0,00000	-0,90566
2:00	-0,06345	0,00000	-0,90566
2:06	-0,06345	0,00000	-0,90566
2:12	-0,06345	0,00000	-0,90566
2:18	-0,06345	0,00000	-0,90566
2:24	-0,06345	0,00000	-0,90566
2:30	-0,06345	0,00000	-0,98113
2:36	-0,06345	0,00000	-0,90566
2:42	-0,06345	0,00000	-0,90566
2:48	-0,06345	0,00000	-0,90566
2:54	-0,06345	0,00000	-0,90566
3:00	-0,06345	0,00000	-0,90566
3:06	-0,06345	0,00000	-0,98113
3:12	-0,06345	0,00000	-0,98113
3:18	-0,06345	0,00000	-1,13210
3:24	0,06345	0,00000	-1,13210
3:30	-0,06345	0,00000	-1,20750
3:36	0,06345	0,00000	-1,20750
3:42	-0,06345	0,00000	-1,20750
3:48	0,06345	0,00000	-1,28300
3:54	-0,06345	0,00000	-1,20750
4:00	0,00000	0,00000	-0,67925
4:06	-0,06345	0,00000	-0,45283
4:12	-0,31726	0,00000	-0,37736
4:18	0,06345	0,00000	-0,45283
4:24	0,00000	0,00000	-0,45283
4:30	-0,06345	0,00000	-0,45283
4:36	0,00000	0,00000	-0,45283
4:42	-0,06345	0,00000	-0,52830

Time (hh:mm)	DEP-1 Calculated Field, (V/m)	DEP-2 Calculated Field, (V/m)	DEP-3 Calculated Field, (V/m)
4:48	-0,12690	0,00000	-0,52830
4:54	-1,52280	0,00000	0,45283
5:00	-1,52280	0,00000	-0,45283
5:06	-1,52280	0,00000	-0,52830
5:12	-1,52280	0,00000	-0,52830
5:18	-1,77660	0,00000	0,52830
5:24	-2,22080	0,00000	-0,52830
5:30	-3,80710	0,00000	-0,52830
5:36	-2,60150	0,00000	-0,45283
5:42	1,96700	0,00000	-0,45283
5:48	1,77660	0,00000	-0,45283
5:54	-1,20560	0,00000	-0,45283
6:00	-1,26900	0,00000	-0,45283
6:06	-1,07870	0,00000	0,45283
6:12	-0,95178	0,00000	-0,52830
6:18	-1,39590	0,00000	-0,45283
6:24	-1,52280	0,00000	-0,45283
6:30	-1,39590	0,00000	-0,52830
6:36	-1,33250	0,00000	-0,45283
6:42	-1,14210	0,00000	-0,45283
6:48	1,07870	0,00000	-0,45283
6:54	1,96700	0,00000	0,52830
7:00	-1,96700	0,00000	-0,45283
7:06	1,20560	0,00000	-0,45283
7:12	-0,88832	0,00000	-0,37736
7:18	-1,14210	0,00000	-0,52830
7:24	-1,33250	0,00000	-0,52830
7:30	-0,88832	0,00000	-0,52830
7:36	-1,52280	0,00000	-0,45283
7:42	0,00000	0,00000	-0,52830
7:48	0,00000	0,00000	-0,45283
7:54	-0,06345	0,00000	-0,45283
8:00	-1,52280	0,00000	-0,45283
8:06	0,00000	0,00000	-0,52830
8:12	0,00000	0,00000	-0,45283
8:18	-0,06345	0,00000	-0,45283
8:24	-0,06345	0,00000	-0,45283
8:30	-0,06345	0,00000	-0,45283
8:36	-0,06345	0,00000	-0,45283
8:42	-0,06345	0,00000	-0,52830
8:48	-0,06345	0,00000	-0,45283
8:54	0,00000	0,00000	-0,52830
9:00	0,00000	0,00000	-0,52830
9:06	0,00000	0,00000	-0,52830
9:12	-0,06345	0,00000	-0,52830
9:18	0,00000	0,00000	-0,60377
9:24	-0,15094	0,00000	-0,60377
9:30	0,07547	0,00000	-0,60377

Time (hh:mm)	DEP-1 Calculated Field, (V/m)	DEP-2 Calculated Field, (V/m)	DEP-3 Calculated Field, (V/m)
9:36	-0,07547	0,00000	-0,60377
9:42	0,15094	0,00000	-0,60377
9:48	0,15094	0,00000	-0,60377
9:54	0,15094	0,00000	-0,60377
10:00	-0,15094	0,00000	-0,52830
10:06	-0,15094	0,00000	-0,52830
10:12	0,07547	0,00000	-0,52830
10:18	-0,07547	0,00000	-0,52830
10:24	0,15094	0,00000	-0,52830
10:30	0,15094	0,00000	-0,45283
10:36	0,15094	0,00000	-0,45283
10:42	-0,15094	0,00000	-0,45283
10:48	-0,45283	0,00000	-0,45283
10:54	-0,45283	0,00000	-0,45283
11:00	-0,45283	0,00000	-0,45283
11:06	-0,45283	0,00000	-0,45283
11:12	-0,45283	0,00000	-0,52830
11:18	-0,37736	0,00000	-0,45283
11:24	-0,45283	0,00000	-0,45283
11:30	-0,60377	0,00000	-0,52830
11:36	-0,60377	0,00000	-0,52830
11:42	-0,67925	0,00000	-0,52830
11:48	-0,67925	0,00000	-0,45283
11:54	-0,67925	0,00000	-0,45283
12:00	3,45611	0,00000	0,98113
12:06	3,06701	0,00000	1,05660
12:12	2,90888	0,00000	1,05660
12:18	3,11105	0,00000	0,98113
12:24	3,11105	0,00000	0,98113
12:30	3,67801	0,00000	0,83019
12:36	3,48911	0,00000	0,83019
12:42	3,22288	0,00000	0,90566
12:48	3,22288	0,00000	0,75472
12:54	3,00678	0,00000	0,75472
13:00	-1,45940	0,00000	-0,75472
13:06	-1,45940	0,00000	-0,90566
13:12	-1,45940	0,00000	-0,98113
13:18	-1,45940	0,00000	-0,90566
13:24	-1,52280	0,00000	-1,05660
13:30	-1,45940	0,00000	-1,13210
13:36	-1,58630	0,00000	-0,90566
13:42	-0,45283	0,00000	-1,13210
13:48	-0,45283	0,00000	-1,05660
13:54	-0,45283	0,00000	-0,90566
14:00	-0,45283	0,00000	0,00000
14:06	-0,45283	0,00000	-0,90566
14:12	-0,37736	0,00000	-1,05660
14:18	-0,45283	0,00000	0,00000
14:24	-0,60377	0,00000	-1,05660
14:30	-0,60377	0,00000	0,00000

Time (hh:mm)	DEP-1 Calculated Field, (V/m)	DEP-2 Calculated Field, (V/m)	DEP-3 Calculated Field, (V/m)
14:36	-0,67925	0,00000	-1,05660
14:42	-0,67925	0,00000	-1,05660
14:48	-0,67925	0,00000	-0,90566
14:54	-0,67925	0,00000	-1,05660
15:00	-0,30189	0,00000	-1,13210
15:06	-0,30189	0,00000	-1,05660
15:12	-0,30189	0,00000	-1,13210
15:18	-0,30189	0,00000	-1,05660
15:24	-0,30189	0,00000	0,00000
15:30	-0,30189	0,00000	-1,13210
15:36	-0,30189	0,00000	-1,05660
15:42	-0,30189	0,00000	-1,13210
15:48	-0,37736	0,00000	-0,90566
15:54	-0,30189	0,00000	-1,05660
16:00	-0,30189	0,00000	-1,13210
16:06	-0,30189	0,00000	-1,05660
16:12	-0,30189	0,00000	-1,05660
16:18	-0,30189	0,00000	-1,05660
16:24	-0,30189	0,00000	-1,05660
16:30	-0,30189	0,00000	-0,98113
16:36	-0,30189	0,00000	-0,98113
16:42	-0,37736	0,00000	-0,98113
16:48	-0,15094	0,00000	-0,90566
16:54	0,07547	0,00000	-0,98113
17:00	-0,07547	0,00000	-0,90566
17:06	0,15094	0,00000	-0,90566
17:12	0,15094	0,00000	-0,90566
17:18	0,15094	0,00000	-0,90566
17:24	-0,15094	0,00000	-0,98113
17:30	-0,15094	0,00000	-0,98113
17:36	0,07547	0,00000	-0,98113
17:42	-0,07547	0,00000	-0,98113
17:48	0,15094	0,00000	-0,98113
17:54	0,15094	0,00000	-0,98113
18:00	0,15094	0,00000	-0,98113
18:06	-0,15094	0,00000	-0,98113
18:12	-0,06345	0,00000	-0,98113
18:18	-0,06345	0,00000	-0,98113
18:24	-0,06345	0,00000	-0,98113
18:30	-0,06345	0,00000	-0,98113
18:36	-0,06345	0,00000	-0,98113
18:42	-0,06345	0,00000	-0,98113
18:48	-0,06345	0,00000	-0,98113
18:54	-0,06345	0,00000	-0,98113
19:00	-0,06345	0,00000	-0,98113
19:06	-0,06345	0,00000	-0,98113
19:12	-0,06345	0,00000	-0,98113
19:18	-0,06345	0,00000	-0,90566
19:24	-0,06345	0,00000	-0,90566
19:30	-0,06345	0,00000	-0,98113

Time (hh:mm)	DEP-1 Calculated Field, (V/m)	DEP-2 Calculated Field, (V/m)	DEP-3 Calculated Field, (V/m)
19:36	-0,06345	0,00000	-0,98113
19:42	-0,06345	0,00000	-1,05660
19:48	-0,06345	0,00000	-1,13210
19:54	-0,06345	0,00000	-1,50940
20:00	-0,06345	0,00000	-1,50940
20:06	-0,06345	0,00000	-1,50940
20:12	-0,06345	0,00000	-1,50940
20:18	-0,06345	0,00000	-1,43400
20:24	-0,60377	0,00000	-1,50940
20:30	-0,60377	0,00000	-1,43400
20:36	-0,60377	0,00000	-1,43400
20:42	-0,60377	0,00000	-1,43400
20:48	-0,60377	0,00000	-1,43400
20:54	-0,67925	0,00000	-1,43400
21:00	-0,67925	0,00000	-1,43400
21:06	-0,67925	0,00000	-1,43400
21:12	-0,67925	0,00000	-1,35850
21:18	-0,67925	0,00000	-1,43400
21:24	-0,67925	0,00000	-1,43400
21:30	-0,67925	0,00000	-1,43400
21:36	-1,52280	0,00000	-1,43400
21:42	0,00000	0,00000	-1,43400

Time (hh:mm)	DEP-1 Calculated Field, (V/m)	DEP-2 Calculated Field, (V/m)	DEP-3 Calculated Field, (V/m)
21:48	0,00000	0,00000	-1,43400
21:54	-0,06345	0,00000	-1,43400
22:00	0,00000	0,00000	-1,35850
22:06	0,00000	0,00000	-1,35850
22:12	-0,06345	0,00000	-1,35850
22:18	-0,83019	0,00000	-1,35850
22:24	-0,83019	0,00000	-1,35850
22:30	-0,07547	0,00000	-1,35850
22:36	-0,07547	0,00000	-1,35850
22:42	-0,15094	0,00000	-1,28300
22:48	0,07547	0,00000	-1,28300
22:54	-0,07547	0,00000	-1,28300
23:00	0,15094	0,00000	-1,28300
23:06	0,15094	0,00000	-1,28300
23:12	0,15094	0,00000	-1,28300
23:18	-0,15094	0,00000	-1,28300
23:24	-0,98113	0,00000	-1,35850
23:30	-0,98113	0,00000	-1,50940
23:36	-0,98113	0,00000	-1,50940
23:42	-0,90566	0,00000	-1,43400
23:48	-0,90566	0,00000	-1,43400
23:54	0,00000	0,00000	-1,35850

Annex 30. Information from DEP-sensors for 21/05/00

Time (hh:mm)	DEP-1 Calculated Field, (V/m)	DEP-2 Calculated Field, (V/m)	DEP-3 Calculated Field, (V/m)
0:00	-0,60377	0,00000	-1,28300
0:06	-0,60377	0,00000	-1,20750
0:12	-0,60377	0,00000	-1,13210
0:18	-0,60377	0,00000	-1,05660
0:24	-0,60377	0,00000	-0,98113
0:30	-0,67925	0,00000	-0,98113
0:36	-0,30189	0,00000	-0,90566
0:42	-0,30189	0,00000	-0,90566
0:48	-0,30189	0,00000	-0,90566
0:54	-0,30189	0,00000	-0,90566
1:00	-0,30189	0,00000	-0,90566
1:06	-0,30189	0,00000	-0,90566
1:12	-0,30189	0,00000	-0,83019
1:18	-0,30189	0,00000	-0,83019
1:24	-0,37736	0,00000	-0,83019
1:30	0,00000	0,00000	-0,83019
1:36	-0,06345	0,00000	-0,83019
1:42	-0,06345	0,00000	-0,83019
1:48	-0,06345	0,00000	-0,83019
1:54	-0,06345	0,00000	-0,83019
2:00	-0,06345	0,00000	-0,83019
2:06	-0,06345	0,00000	-0,83019
2:12	-0,06345	0,00000	-0,83019
2:18	-0,06345	0,00000	-0,83019
2:24	-0,06345	0,00000	-0,83019
2:30	-0,06345	0,00000	-0,90566
2:36	-0,06345	0,00000	-0,98113
2:42	-0,06345	0,00000	-1,73580
2:48	-0,06345	0,00000	-1,81130
2:54	-0,06345	0,00000	-1,81130
3:00	0,00000	0,00000	-1,28300
3:06	0,00000	0,00000	-0,90566
3:12	0,50761	0,00000	-0,83019
3:18	0,06345	0,00000	-0,83019
3:24	0,00000	0,00000	-0,75472
3:30	0,12690	0,00000	-0,83019
3:36	0,00000	0,00000	-0,83019
3:42	0,00000	0,00000	-0,83019
3:48	0,00000	0,00000	-0,90566
3:54	0,00000	0,00000	-0,90566
4:00	0,06345	0,00000	-0,52830
4:06	-1,52280	0,00000	-0,45283
4:12	0,57107	0,00000	-0,45283
4:18	0,00000	0,00000	0,52830
4:24	-0,06345	0,00000	0,60377
4:30	0,12690	0,00000	0,67925
4:36	-1,52280	0,00000	0,67925
4:42	0,12690	0,00000	0,75472

Time (hh:mm)	DEP-1 Calculated Field, (V/m)	DEP-2 Calculated Field, (V/m)	DEP-3 Calculated Field, (V/m)
4:48	3,29950	0,00000	0,98113
4:54	-2,98220	0,00000	0,67925
5:00	-1,52280	0,00000	0,75472
5:06	-3,17260	0,00000	0,67925
5:12	2,15740	0,00000	0,67925
5:18	-1,52280	0,00000	0,45283
5:24	-1,33250	0,00000	0,67925
5:30	-1,90360	0,00000	0,60377
5:36	-1,77660	0,00000	0,60377
5:42	-1,45940	0,00000	0,52830
5:48	-0,82487	0,00000	-0,52830
5:54	0,82487	0,00000	0,52830
6:00	-1,33250	0,00000	-0,52830
6:06	-0,82487	0,00000	-0,52830
6:12	-0,95178	0,00000	-0,45283
6:18	-1,58630	0,00000	-0,52830
6:24	-1,33250	0,00000	-0,52830
6:30	-1,45940	0,00000	-0,45283
6:36	-1,33250	0,00000	-0,52830
6:42	-1,07870	0,00000	-0,52830
6:48	1,33250	0,00000	-0,52830
6:54	-0,88832	0,00000	-0,52830
7:00	-1,01520	0,00000	-0,52830
7:06	0,63452	0,00000	-0,52830
7:12	-0,57107	0,00000	-0,52830
7:18	0,63452	0,00000	-0,52830
7:24	-0,50761	0,00000	-0,52830
7:30	0,82487	0,00000	-0,52830
7:36	-0,38071	0,00000	-0,52830
7:42	0,00000	0,00000	-0,52830
7:48	0,69797	0,00000	-0,52830
7:54	-0,12690	0,00000	-0,52830
8:00	-1,52280	0,00000	-0,52830
8:06	-0,30189	0,00000	-0,60377
8:12	-0,30189	0,00000	-0,60377
8:18	-0,30189	0,00000	-0,60377
8:24	-0,30189	0,00000	-0,60377
8:30	-0,30189	0,00000	-0,60377
8:36	-0,30189	0,00000	-0,60377
8:42	-0,30189	0,00000	-0,67925
8:48	-0,30189	0,00000	-0,67925
8:54	-0,37736	0,00000	-0,67925
9:00	-1,45940	0,00000	-0,67925
9:06	-1,45940	0,00000	-0,75472
9:12	-1,45940	0,00000	-0,75472
9:18	-1,45940	0,00000	-0,75472
9:24	-1,52280	0,00000	-0,75472
9:30	-1,45940	0,00000	-0,75472

Time (hh:mm)	DEP-1 Calculated Field, (V/m)	DEP-2 Calculated Field, (V/m)	DEP-3 Calculated Field, (V/m)
9:36	-1,58630	0,00000	-0,83019
9:42	-1,52280	0,00000	-0,75472
9:48	-0,60377	0,00000	-0,75472
9:54	-0,60377	0,00000	-0,75472
10:00	-0,60377	0,00000	-0,75472
10:06	-0,60377	0,00000	-0,75472
10:12	-0,60377	0,00000	-0,75472
10:18	-0,67925	0,00000	-0,75472

Time (hh:mm)	DEP-1 Calculated Field, (V/m)	DEP-2 Calculated Field, (V/m)	DEP-3 Calculated Field, (V/m)
10:24	-0,67925	0,00000	-0,67925
10:30	-0,67925	0,00000	-0,67925
10:36	-0,67925	0,00000	-0,67925
10:42	-0,67925	0,00000	-0,67925
10:48	-0,67925	0,00000	-0,60377
10:54	-0,67925	0,00000	-0,60377
11:00	-0,67925	0,00000	-0,60377
11:06	-0,67925	0,00000	-0,60377

Annex 31. Information from DEP-sensors for 23/05/00

Time (hh:mm)	DEP-1 Calculated Field, (V/m)	DEP-2 Calculated Field, (V/m)	DEP-3 Calculated Field, (V/m)
0:02	-0,06345	0,00000	-1,05660
0:08	-0,06345	0,00000	-0,98113
0:14	-0,06345	0,00000	-0,98113
0:20	-0,06345	0,00000	-0,98113
0:26	-0,06345	0,00000	-0,90566
0:32	-0,06345	0,00000	-0,90566
0:38	-0,06345	0,00000	-0,90566
0:44	-0,06345	0,00000	-0,90566
0:50	0,00000	0,00000	-0,90566
0:56	0,00000	0,00000	-0,90566
1:02	0,00000	0,00000	-0,90566
1:08	0,00000	0,00000	-0,90566
1:14	0,00000	0,00000	-0,90566
1:20	0,00000	0,00000	-0,90566
1:26	-0,06345	0,00000	-0,83019
1:32	0,00000	0,00000	-0,90566
1:38	-0,06345	0,00000	-0,90566
1:44	-0,06345	0,00000	-0,90566
1:50	-0,06345	0,00000	-0,90566
1:56	-0,06345	0,00000	-0,90566
2:02	-0,06345	0,00000	-0,90566
2:08	-0,06345	0,00000	-0,90566
2:14	-0,06345	0,00000	-0,90566
2:20	-0,06345	0,00000	-0,90566
2:26	-0,06345	0,00000	-0,90566
2:32	-0,06345	0,00000	-0,90566
2:38	-0,06345	0,00000	-0,90566
2:44	-0,06345	0,00000	-0,98113
2:50	-0,06345	0,00000	-0,98113
2:56	-0,06345	0,00000	-0,98113
3:02	-1,01520	0,00000	-0,98113
3:08	-1,52280	0,00000	-0,98113
3:14	0,82487	0,00000	-1,05660
3:20	-0,50761	0,00000	-1,05660
3:26	-0,06345	0,00000	-1,05660
3:32	-1,52280	0,00000	-1,13210
3:38	-0,88832	0,00000	-1,05660
3:44	-1,52280	0,00000	-1,13210
3:50	-1,52280	0,00000	-1,13210
3:56	1,90360	0,00000	-0,83019
4:02	-0,06345	0,00000	-0,45283
4:08	1,64970	0,00000	-0,45283
4:14	-1,52280	0,00000	-0,37736
4:20	-1,52280	0,00000	-0,45283
4:26	-1,52280	0,00000	-0,45283
4:32	-0,06345	0,00000	-0,52830
4:38	-1,52280	0,00000	-0,52830
4:44	1,20560	0,00000	-0,52830

Time (hh:mm)	DEP-1 Calculated Field, (V/m)	DEP-2 Calculated Field, (V/m)	DEP-3 Calculated Field, (V/m)
4:50	-0,95178	0,00000	-0,52830
4:56	1,26900	0,00000	0,52830
5:02	-1,77660	0,00000	-0,52830
5:08	-1,07870	0,00000	-0,45283
5:14	-0,88832	0,00000	-0,45283
5:20	-0,82487	0,00000	-0,52830
5:26	-0,95178	0,00000	-0,52830
5:32	-1,96700	0,00000	-0,45283
5:38	0,76142	0,00000	-0,45283
5:44	-0,82487	0,00000	-0,45283
5:50	-0,88832	0,00000	-0,52830
5:56	-0,88832	0,00000	-0,45283
6:02	0,82487	0,00000	-0,45283
6:08	-1,07870	0,00000	-0,45283
6:14	-1,96700	0,00000	-0,45283
6:20	-1,71320	0,00000	-0,52830
6:26	-1,52280	0,00000	-0,52830
6:32	-1,52280	0,00000	-0,45283
6:38	-1,71320	0,00000	-0,45283
6:44	-1,77660	0,00000	-0,45283
6:50	-1,84010	0,00000	-0,52830
6:56	-1,64970	0,00000	-0,52830
7:02	-2,22080	0,00000	-0,45283
7:08	-2,09390	0,00000	-0,52830
7:14	-1,77660	0,00000	-0,45283
7:20	1,20560	0,00000	-0,45283
7:26	-0,76142	0,00000	-0,52830
7:32	1,20560	0,00000	-0,52830
7:38	0,00000	0,00000	-0,52830
7:44	0,00000	0,00000	-0,52830
7:50	-0,44416	0,00000	-0,52830
7:56	0,00000	0,00000	-0,52830
8:02	-0,06345	0,00000	-0,52830
8:08	0,00000	0,00000	-0,60377
8:14	0,00000	0,00000	-0,60377
8:20	0,00000	0,00000	-0,60377
8:26	-0,06345	0,00000	-0,60377
8:32	-0,06345	0,00000	-0,60377
8:38	-0,06345	0,00000	-0,67925
8:44	-0,06345	0,00000	-0,67925
8:50	-0,06345	0,00000	-0,67925
8:56	-0,06345	0,00000	-0,67925
9:02	-0,06345	0,00000	-0,67925
9:08	-0,06345	0,00000	-0,67925
9:14	0,00000	0,00000	-0,67925
9:20	0,00000	0,00000	-0,75472
9:26	0,00000	0,00000	-0,67925
9:32	-0,45283	0,00000	-0,75472

Time (hh:mm)	DEP-1 Calculated Field, (V/m)	DEP-2 Calculated Field, (V/m)	DEP-3 Calculated Field, (V/m)
9:38	-0,45283	0,00000	-0,75472
9:44	-0,52830	0,00000	-0,75472
9:50	-0,45283	0,00000	-0,75472
9:56	-0,45283	0,00000	-0,67925
10:02	-0,45283	0,00000	-0,67925
10:08	-0,45283	0,00000	-0,67925
10:14	-0,52830	0,00000	-0,67925
10:20	-0,52830	0,00000	-0,67925
10:26	-0,45283	0,00000	-0,60377
10:32	-0,45283	0,00000	-0,60377
10:38	-0,45283	0,00000	-0,60377
10:44	-0,06345	0,00000	-0,60377
10:50	-0,06345	0,00000	-0,60377
10:56	-0,06345	0,00000	-0,60377
11:02	-0,06345	0,00000	-0,60377
11:08	-0,06345	0,00000	-0,60377
11:14	-0,06345	0,00000	-0,60377
11:20	-0,06345	0,00000	-0,52830
11:26	-0,06345	0,00000	-0,60377
11:32	0,00000	0,00000	-0,60377
11:38	0,00000	0,00000	-0,60377
11:44	-0,06345	0,00000	-0,60377
11:50	-0,06345	0,00000	-0,60377
11:56	-0,06345	0,00000	-0,60377
12:02	-0,06345	0,00000	-0,67925
12:08	-0,06345	0,00000	-0,67925
12:14	-0,06345	0,00000	-0,67925
12:20	-0,06345	0,00000	-0,67925
12:26	-0,06345	0,00000	-0,75472
12:32	0,00000	0,00000	-0,75472
12:38	0,00000	0,00000	-0,75472
12:44	0,00000	0,00000	-0,75472
12:50	3,67825	0,00000	0,75472
12:56	3,67925	0,00000	0,75472
13:02	4,00001	0,00000	0,60377
13:08	3,67925	0,00000	-0,52830
13:14	3,52830	0,00000	-0,60377
13:20	3,52830	0,00000	-0,52830
13:26	3,52830	0,00000	-0,45283
13:32	3,12543	0,00000	-0,52830
13:38	3,67925	0,00000	-0,52830
13:44	3,67925	0,00000	-0,60377
13:50	3,52830	0,00000	-0,60377
13:56	3,52830	0,00000	-0,60377
14:02	3,67825	0,00000	-0,67925
14:08	3,67825	0,00000	-0,67925
14:14	3,12543	0,00000	-0,83019
14:20	2,98703	0,00000	-0,75472
14:26	2,98703	0,00000	-1,05660
14:32	3,52830	0,00000	-0,83019

Time (hh:mm)	DEP-1 Calculated Field, (V/m)	DEP-2 Calculated Field, (V/m)	DEP-3 Calculated Field, (V/m)
14:38	3,12543	0,00000	-0,83019
14:44	3,67825	0,00000	-0,83019
14:50	-0,45283	0,00000	-1,28300
14:56	-0,45283	0,00000	-1,58490
15:02	-0,52830	0,00000	-1,66040
15:08	-0,45283	0,00000	-1,66040
15:14	-0,45283	0,00000	-1,66040
15:20	-0,45283	0,00000	-1,66040
15:26	-0,45283	0,00000	-1,58490
15:32	-0,52830	0,00000	-1,58490
15:38	-0,52830	0,00000	-1,58490
15:44	-0,06345	0,00000	-1,58490
15:50	-0,06345	0,00000	-1,58490
15:56	-0,06345	0,00000	-1,50940
16:02	-0,06345	0,00000	-1,50940
16:08	-0,06345	0,00000	-1,58490
16:14	-0,06345	0,00000	-1,50940
16:20	-0,06345	0,00000	-1,50940
16:26	-0,06345	0,00000	-1,35850
16:32	0,00000	0,00000	-1,43400
16:38	0,00000	0,00000	-1,43400
16:44	0,00000	0,00000	-1,35850
16:50	0,00000	0,00000	-1,35850
16:56	0,00000	0,00000	-1,35850
17:02	-0,67925	0,00000	-1,35850
17:08	-0,67925	0,00000	-1,43400
17:14	-0,75472	0,00000	-1,35850
17:20	-0,67925	0,00000	-1,35850
17:26	-0,75472	0,00000	-1,35850
17:32	-0,75472	0,00000	-1,35850
17:38	-0,75472	0,00000	-1,35850
17:44	-0,75472	0,00000	-1,35850
17:50	-0,67925	0,00000	-1,35850
17:56	-0,67925	0,00000	-1,43400
18:02	-0,67925	0,00000	-1,35850
18:08	-0,67925	0,00000	-1,35850
18:14	-0,67925	0,00000	-1,35850
18:20	-0,60377	0,00000	-1,35850
18:26	-0,60377	0,00000	-1,28300
18:32	-0,60377	0,00000	-1,28300
18:38	-0,60377	0,00000	-1,28300
18:44	-0,60377	0,00000	-1,28300
18:50	-0,60377	0,00000	-1,28300
18:56	-0,45283	0,00000	-1,28300
19:02	-0,45283	0,00000	-1,28300
19:08	-0,52830	0,00000	-1,28300
19:14	-0,45283	0,00000	-1,35850
19:20	-0,45283	0,00000	-1,28300
19:26	-0,45283	0,00000	-1,35850
19:32	-0,45283	0,00000	-1,35850

Time (hh:mm)	DEP-1 Calculated Field, (V/m)	DEP-2 Calculated Field, (V/m)	DEP-3 Calculated Field, (V/m)
19:38	-0,52830	0,00000	-1,35850
19:44	-0,52830	0,00000	-1,35850
19:50	-0,67925	0,00000	-1,58490
19:56	-0,67925	0,00000	-1,73580
20:02	-0,75472	0,00000	-1,66040
20:08	-0,67925	0,00000	-1,58490
20:14	-0,75472	0,00000	-1,58490
20:20	-0,75472	0,00000	-1,58490
20:26	-0,75472	0,00000	-1,50940
20:32	-0,75472	0,00000	-1,58490
20:38	-0,67925	0,00000	-1,58490
20:44	-0,67925	0,00000	-1,58490
20:50	-0,67925	0,00000	-1,50940
20:56	-0,67925	0,00000	-1,50940
21:02	-0,67925	0,00000	-1,50940
21:08	-0,60377	0,00000	-1,43400
21:14	-0,60377	0,00000	-1,43400
21:20	-0,60377	0,00000	-1,43400
21:26	-0,60377	0,00000	-1,43400
21:32	-0,06345	0,00000	-1,43400
21:38	-0,06345	0,00000	-1,43400
21:44	-0,06345	0,00000	-1,43400

Time (hh:mm)	DEP-1 Calculated Field, (V/m)	DEP-2 Calculated Field, (V/m)	DEP-3 Calculated Field, (V/m)
21:50	-0,06345	0,00000	-1,43400
21:56	-0,06345	0,00000	-1,43400
22:02	-0,06345	0,00000	-1,43400
22:08	-0,06345	0,00000	-1,43400
22:14	-0,06345	0,00000	-1,50940
22:20	0,00000	0,00000	-1,50940
22:26	0,00000	0,00000	-1,58490
22:32	-0,06345	0,00000	-1,43400
22:38	-0,06345	0,00000	-1,81130
22:44	-0,06345	0,00000	-1,81130
22:50	-0,06345	0,00000	-1,88680
22:56	-0,06345	0,00000	-1,88680
23:02	-0,06345	0,00000	-1,81130
23:08	-0,06345	0,00000	-1,81130
23:14	-0,06345	0,00000	-1,73580
23:20	0,00000	0,00000	-1,66040
23:26	0,00000	0,00000	-1,73580
23:32	0,00000	0,00000	-1,81130
23:38	-0,45283	0,00000	-1,81130
23:44	-0,45283	0,00000	-1,88680
23:50	-0,52830	0,00000	-1,81130
23:56	-0,45283	0,00000	-1,96230

Annex 32. Information from DEP-sensors for 24/05/00

Time (hh:mm)	DEP-1 Calculated Field, (V/m)	DEP-2 Calculated Field, (V/m)	DEP-3 Calculated Field, (V/m)
0:02	-0,06345	0,00000	-1,88680
0:08	-0,06345	0,00000	-1,66040
0:14	-0,06345	0,00000	-1,58490
0:20	-0,06345	0,00000	-1,73580
0:26	-0,06345	0,00000	-1,81130
0:32	-0,06345	0,00000	-1,58490
0:38	-0,06345	0,00000	-1,66040
0:44	-0,06345	0,00000	-1,28300
0:50	0,00000	0,00000	-1,43400
0:56	0,00000	0,00000	-1,50940
1:02	0,00000	0,00000	-1,66040
1:08	0,00000	0,00000	-1,73580
1:14	0,00000	0,00000	-1,81130
1:20	-0,06345	0,00000	-1,81130
1:26	0,00000	0,00000	-1,73580
1:32	0,00000	0,00000	-1,73580
1:38	0,00000	0,00000	-1,73580
1:44	0,00000	0,00000	-1,73580
1:50	-0,06345	0,00000	-1,81130
1:56	0,00000	0,00000	-1,88680
2:02	0,00000	0,00000	-1,88680
2:08	-0,06345	0,00000	-1,81130
2:14	-0,06345	0,00000	-1,73580
2:20	-0,06345	0,00000	-1,81130
2:26	-0,06345	0,00000	-1,50940
2:32	-0,06345	0,00000	-1,35850
2:38	-0,06345	0,00000	-1,43400
2:44	-0,06345	0,00000	-1,43400
2:50	-0,06345	0,00000	-1,50940
2:56	-0,06345	0,00000	-1,58490
3:02	0,00000	0,00000	-1,81130
3:08	-0,06345	0,00000	-1,43400
3:14	-0,06345	0,00000	-1,88680
3:20	-1,52280	0,00000	-1,81130
3:26	-1,52280	0,00000	-1,88680
3:32	-1,52280	0,00000	-1,88680
3:38	-0,06345	0,00000	-1,88680
3:44	-0,06345	0,00000	-1,88680
3:50	-1,77660	0,00000	-1,88680
3:56	0,25381	0,00000	-0,98113
4:02	0,00000	0,00000	-0,98113
4:08	0,00000	0,00000	-0,67925
4:14	-0,06345	0,00000	-0,60377
4:20	-0,06345	0,00000	-0,52830
4:26	-1,52280	0,00000	-0,52830
4:32	-0,06345	0,00000	-0,52830
4:38	2,03050	0,00000	-0,52830
4:44	-1,64970	0,00000	-0,52830

Time (hh:mm)	DEP-1 Calculated Field, (V/m)	DEP-2 Calculated Field, (V/m)	DEP-3 Calculated Field, (V/m)
4:50	0,00000	0,00000	-0,52830
4:56	0,06345	0,00000	-0,60377
5:02	-1,52280	0,00000	-0,75472
5:08	-0,06345	0,00000	-0,67925
5:14	0,19036	0,00000	-0,75472
5:20	0,00000	0,00000	-0,75472
5:26	0,50761	0,00000	-0,60377
5:32	3,80710	0,00000	-2,03770
5:38	1,45940	0,00000	-1,81130
5:44	5,64720	0,00000	-2,64150
5:50	-4,06090	0,00000	-2,18870
5:56	5,96450	0,00000	-2,49060
6:02	-5,32990	0,00000	-1,96230
6:08	3,10910	0,00000	-2,33960
6:14	-2,72840	0,00000	-1,96230
6:20	-2,98220	0,00000	-1,96230
6:26	-3,36290	0,00000	-1,96230
6:32	-3,42640	0,00000	-2,03770
6:38	-2,66500	0,00000	-2,03770
6:44	-3,10910	0,00000	-2,49060
6:50	1,96700	0,00000	-1,20750
6:56	-2,79190	0,00000	-1,43400
7:02	-1,64970	0,00000	-1,20750
7:08	-2,47460	0,00000	-1,73580
7:14	1,58630	0,00000	-1,28300
7:20	2,15740	0,00000	-1,20750
7:26	-0,38071	0,00000	-1,13210
7:32	-0,06345	0,00000	-1,43400
7:38	0,00000	0,00000	-0,98113
7:44	0,00000	0,00000	-0,98113
7:50	0,00000	0,00000	-0,98113
7:56	0,00000	0,00000	-0,98113
8:02	0,00000	0,00000	-0,98113
8:08	0,00000	0,00000	-0,98113
8:14	0,00000	0,00000	-0,98113
8:20	0,00000	0,00000	-0,98113
8:26	0,00000	0,00000	-0,98113
8:32	-0,06345	0,00000	-0,98113
8:38	0,00000	0,00000	-0,98113
8:44	-0,06345	0,00000	-1,05660
8:50	0,00000	0,00000	-1,05660
8:56	0,00000	0,00000	-0,98113
9:02	0,00000	0,00000	-1,13210
9:08	0,00000	0,00000	-1,13210
9:14	0,00000	0,00000	-1,05660
9:20	-0,06345	0,00000	-1,05660
9:26	-0,06345	0,00000	-1,05660
9:32	-0,06345	0,00000	-1,13210

Time (hh:mm)	DEP-1 Calculated Field, (V/m)	DEP-2 Calculated Field, (V/m)	DEP-3 Calculated Field, (V/m)
9:38	-0,06345	0,00000	-1,05660
9:44	-0,06345	0,00000	-1,05660
9:50	-0,06345	0,00000	-0,98113
9:56	-0,06345	0,00000	-0,98113
10:02	-0,06345	0,00000	-0,98113
10:08	-0,06345	0,00000	-0,98113
10:14	-0,06345	0,00000	0,00000
10:20	-0,06345	0,00000	0,00000
10:26	-0,06345	0,00000	-0,98113
10:32	-0,06345	0,00000	-0,98113
10:38	-0,06345	0,00000	-0,98113
10:44	-0,06345	0,00000	-0,98113
10:50	-0,06345	0,00000	-0,98113
10:56	0,00000	0,00000	-0,98113
11:02	0,00000	0,00000	-1,05660
11:08	0,00000	0,00000	-1,13210
11:14	-0,67925	0,00000	-0,98113
11:20	-0,67925	0,00000	-0,90566
11:26	-0,75472	0,00000	-0,98113
11:32	-0,67925	0,00000	-0,98113
11:38	-0,75472	0,00000	-0,98113
11:44	-0,75472	0,00000	-0,90566
11:50	-0,75472	0,00000	-0,90566
11:56	-0,75472	0,00000	-0,90566
12:02	-0,45283	0,00000	-0,90566
12:08	-0,45283	0,00000	-0,90566
12:14	-0,52830	0,00000	-0,90566
12:20	-0,45283	0,00000	-0,90566
12:26	-0,45283	0,00000	-0,83019
12:32	-0,45283	0,00000	-0,83019
12:38	-0,45283	0,00000	-0,90566
12:44	5,28301	0,00000	0,90566
12:50	5,28301	0,00000	0,98113
12:56	4,52834	0,00000	-0,60377
13:02	4,52834	0,00000	-0,60377
13:08	4,52834	0,00000	-0,52830
13:14	3,98113	0,00000	-0,45283
13:20	3,98113	0,00000	-0,67925
13:26	4,52834	0,00000	-0,67925
13:32	3,98113	0,00000	-0,75472
13:38	5,28301	0,00000	-0,60377
13:44	5,28301	0,00000	-0,67925
13:50	5,00056	0,00000	-0,75472
13:56	5,00056	0,00000	-0,90566
14:02	4,52834	0,00000	-0,90566
14:08	4,52834	0,00000	-0,90566
14:14	5,00056	0,00000	-0,90566
14:20	5,00056	0,00000	-0,98113
14:26	5,28301	0,00000	-1,05660
14:32	3,98113	0,00000	-1,05660

Time (hh:mm)	DEP-1 Calculated Field, (V/m)	DEP-2 Calculated Field, (V/m)	DEP-3 Calculated Field, (V/m)
14:38	3,98113	0,00000	-1,05660
14:44	-0,67925	0,00000	-1,66040
14:50	-0,67925	0,00000	-1,81130
14:56	-0,75472	0,00000	-1,88680
15:02	-0,67925	0,00000	-1,88680
15:08	-0,75472	0,00000	-1,88680
15:14	-0,75472	0,00000	-1,81130
15:20	-0,75472	0,00000	-1,81130
15:26	-0,75472	0,00000	-1,81130
15:32	-0,67925	0,00000	-1,81130
15:38	-0,67925	0,00000	-1,81130
15:44	-0,67925	0,00000	-1,81130
15:50	-0,67925	0,00000	-1,73580
15:56	-0,67925	0,00000	-1,73580
16:02	-0,60377	0,00000	-1,73580
16:08	-0,60377	0,00000	-1,66040
16:14	-0,60377	0,00000	-1,66040
16:20	-0,60377	0,00000	-1,66040
16:26	-0,60377	0,00000	-1,66040
16:32	-0,60377	0,00000	-1,58490
16:38	-0,06345	0,00000	-1,66040
16:44	0,06345	0,00000	-1,66040
16:50	-0,06345	0,00000	-1,50940
16:56	-0,06345	0,00000	-1,58490
17:02	-0,06345	0,00000	-1,50940
17:08	0,06345	0,00000	-1,50940
17:14	-0,06345	0,00000	-1,50940
17:20	-0,06345	0,00000	-1,58490
17:26	0,00000	0,00000	-1,50940
17:32	0,00000	0,00000	-1,50940
17:38	0,00000	0,00000	-1,43400
17:44	0,06345	0,00000	-1,43400
17:50	-0,06345	0,00000	-1,43400
17:56	-0,06345	0,00000	-1,50940
18:02	-0,06345	0,00000	-1,43400
18:08	-0,06345	0,00000	-1,50940
18:14	-0,06345	0,00000	-1,43400
18:20	0,06345	0,00000	-1,43400
18:26	0,06345	0,00000	-1,43400
18:32	0,00000	0,00000	-1,43400
18:38	0,00000	0,00000	-1,43400
18:44	0,00000	0,00000	-1,43400
18:50	0,00000	0,00000	-1,43400
18:56	0,00000	0,00000	-1,43400
19:02	0,67925	0,00000	-1,50940
19:08	0,67925	0,00000	-1,43400
19:14	-0,75472	0,00000	-1,43400
19:20	-0,67925	0,00000	-1,43400
19:26	-0,75472	0,00000	-1,43400
19:32	0,75472	0,00000	-1,43400

Time (hh:mm)	DEP-1 Calculated Field, (V/m)	DEP-2 Calculated Field, (V/m)	DEP-3 Calculated Field, (V/m)
19:38	-0,75472	0,00000	-1,43400
19:44	-0,75472	0,00000	-1,43400
19:50	-0,67925	0,00000	-1,58490
19:56	-0,67925	0,00000	-1,73580
20:02	-0,67925	0,00000	-1,73580
20:08	-0,67925	0,00000	-1,66040
20:14	-0,67925	0,00000	-1,66040
20:20	0,60377	0,00000	-1,58490
20:26	0,60377	0,00000	-1,50940
20:32	-0,60377	0,00000	-1,50940
20:38	-0,60377	0,00000	-1,50940
20:44	-0,60377	0,00000	-1,50940
20:50	-0,60377	0,00000	-1,43400
20:56	0,06345	0,00000	-1,43400
21:02	0,12690	0,00000	-1,43400
21:08	0,06345	0,00000	-1,43400
21:14	0,06345	0,00000	-1,35850
21:20	0,06345	0,00000	-1,50940
21:26	-0,67925	0,00000	-1,96230
21:32	-0,67925	0,00000	-1,96230
21:38	-0,75472	0,00000	-1,81130
21:44	-0,67925	0,00000	-1,81130

Time (hh:mm)	DEP-1 Calculated Field, (V/m)	DEP-2 Calculated Field, (V/m)	DEP-3 Calculated Field, (V/m)
21:50	0,75472	0,00000	-1,81130
21:56	0,75472	0,00000	-1,81130
22:02	0,75472	0,00000	-1,88680
22:08	0,75472	0,00000	-1,88680
22:14	-0,67925	0,00000	-1,88680
22:20	0,67925	0,00000	-1,88680
22:26	-0,67925	0,00000	-1,96230
22:32	0,67925	0,00000	-1,96230
22:38	0,67925	0,00000	-1,96230
22:44	0,60377	0,00000	-1,96230
22:50	-0,60377	0,00000	-1,88680
22:56	-0,60377	0,00000	-1,88680
23:02	0,60377	0,00000	-2,03770
23:08	-0,60377	0,00000	-2,49060
23:14	0,06345	0,00000	-2,56600
23:20	0,12690	0,00000	-2,49060
23:26	0,06345	0,00000	-2,26420
23:32	0,06345	0,00000	-2,26420
23:38	0,06345	0,00000	-2,03770
23:44	0,06345	0,00000	-2,03770
23:50	0,06345	0,00000	-2,18870
23:56	0,00000	0,00000	-1,96230

Annex 33. Information from DEP-sensors for 29/05/00

Time (hh:mm)	DEP-1 Calculated Field, (V/m)	DEP-2 Calculated Field, (V/m)	DEP-3 Calculated Field, (V/m)
0:02	0,06345	0,00000	-1,81130
0:08	0,00000	0,00000	-1,81130
0:14	0,12690	0,00000	-1,58490
0:20	0,12690	0,00000	-1,50940
0:26	0,12690	0,00000	-1,35850
0:32	0,12690	0,00000	-1,43400
0:38	0,06345	0,00000	-1,43400
0:44	0,06345	0,00000	-1,58490
0:50	-0,06345	0,00000	-1,66040
0:56	-0,06345	0,00000	-1,66040
1:02	-0,06345	0,00000	-1,50940
1:08	0,00000	0,00000	-1,43400
1:14	-0,06345	0,00000	-1,50940
1:20	-0,06345	0,00000	-1,58490
1:26	-0,06345	0,00000	-1,58490
1:32	-0,06345	0,00000	-1,58490
1:38	0,06345	0,00000	-1,58490
1:44	0,00000	0,00000	-1,66040
1:50	0,12690	0,00000	-1,66040
1:56	0,12690	0,00000	-1,66040
2:02	0,12690	0,00000	-1,66040
2:08	0,12690	0,00000	-1,66040
2:14	0,06345	0,00000	-1,73580
2:20	0,06345	0,00000	-1,73580
2:26	0,00000	0,00000	-1,73580
2:32	-0,06345	0,00000	-1,66040
2:38	-0,06345	0,00000	-1,73580
2:44	-0,06345	0,00000	-1,66040
2:50	0,00000	0,00000	-1,73580
2:56	-0,06345	0,00000	-1,66040
3:02	-0,06345	0,00000	-1,50940
3:08	-0,06345	0,00000	-0,75472
3:14	-0,06345	0,00000	-0,75472
3:26	-0,06345	0,00000	-0,75472
3:32	-0,06345	0,00000	-0,83019
3:38	-0,06345	0,00000	-0,75472
3:44	0,06345	0,00000	-0,75472
3:50	-0,06345	0,00000	-0,83019
3:56	0,00000	0,00000	-0,75472
4:02	-0,06345	0,00000	-0,83019
4:08	-0,06345	0,00000	-0,45283
4:14	0,00000	0,00000	-0,52830
4:20	0,00000	0,00000	-0,45283
4:26	0,00000	0,00000	-0,45283
4:32	-0,06345	0,00000	-0,45283
4:38	-0,06345	0,00000	-0,45283
4:44	-0,06345	0,00000	-0,45283
4:50	0,00000	0,00000	-0,52830

Time (hh:mm)	DEP-1 Calculated Field, (V/m)	DEP-2 Calculated Field, (V/m)	DEP-3 Calculated Field, (V/m)
4:56	0,06345	0,00000	-0,45283
5:02	0,00000	0,00000	-0,45283
5:08	0,12690	0,00000	-0,45283
5:14	0,12690	0,00000	-0,52830
5:20	0,12690	0,00000	-0,45283
5:26	0,12690	0,00000	-0,52830
5:32	0,06345	0,00000	-0,52830
5:38	0,06345	0,00000	-0,52830
5:44	-0,63452	0,00000	-0,52830
5:50	0,76142	0,00000	-0,52830
5:56	0,69797	0,00000	-0,45283
6:02	0,69797	0,00000	-0,52830
6:08	0,76142	0,00000	-0,52830
6:14	-0,76142	0,00000	-0,45283
6:20	0,63452	0,00000	-0,45283
6:26	-0,76142	0,00000	-0,45283
6:32	-0,76142	0,00000	-0,52830
6:38	-0,82487	0,00000	-0,52830
6:44	-0,82487	0,00000	-0,45283
6:50	-0,69797	0,00000	-0,52830
6:56	-0,69797	0,00000	-0,52830
7:02	0,69797	0,00000	-0,52830
7:08	-0,88832	0,00000	-0,52830
7:14	0,69797	0,00000	-0,52830
7:20	0,76142	0,00000	-0,45283
7:26	-0,69797	0,00000	-0,52830
7:32	-0,88832	0,00000	-0,52830
7:38	0,82487	0,00000	-0,52830
7:44	0,57107	0,00000	-0,52830
7:50	-0,82487	0,00000	-0,52830
7:56	-0,82487	0,00000	-0,52830
8:02	-0,88832	0,00000	-0,60377
8:08	-0,82487	0,00000	-0,60377
8:14	-0,82487	0,00000	-0,60377
8:20	-1,01520	0,00000	-0,60377
8:26	-0,95178	0,00000	-0,60377
8:32	-0,76142	0,00000	-0,60377
8:38	-0,88832	0,00000	-0,67925
8:44	0,82487	0,00000	-0,67925
8:50	-0,95178	0,00000	-0,67925
8:56	1,01520	0,00000	-0,67925
9:02	0,82487	0,00000	-0,67925
9:08	-0,95178	0,00000	-0,67925
9:14	0,82487	0,00000	-0,67925
9:20	1,01520	0,00000	-0,60377
9:26	-0,95178	0,00000	-0,67925
9:32	1,01520	0,00000	-0,75472
9:38	1,01520	0,00000	-0,75472

Time (hh:mm)	DEP-1 Calculated Field, (V/m)	DEP-2 Calculated Field, (V/m)	DEP-3 Calculated Field, (V/m)
9:44	1,01520	0,00000	-0,75472
9:50	0,57107	0,00000	-0,75472
9:56	-1,73580	0,00000	-0,75472
10:02	-1,73580	0,00000	-0,67925
10:08	-1,73580	0,00000	-0,67925
10:14	-2,03770	0,00000	-0,67925
10:20	-1,73580	0,00000	-0,67925
10:26	-1,73580	0,00000	-0,60377
10:32	-1,43400	0,00000	-0,60377
10:38	-0,52830	0,00000	-0,60377
10:44	-0,52830	0,00000	-0,60377
10:50	-0,52830	0,00000	-0,60377
10:56	-0,60377	0,00000	-0,60377
11:02	-0,60377	0,00000	-0,52830
11:08	-0,60377	0,00000	-0,52830
11:14	-0,06345	0,00000	-1,66040
11:20	-0,06345	0,00000	0,00000
11:26	-0,06345	0,00000	-1,73580
11:32	0,00000	0,00000	-1,73580
11:38	-0,06345	0,00000	-1,73580
11:44	-0,06345	0,00000	-2,03770
11:50	-0,06345	0,00000	-1,73580
11:56	-0,06345	0,00000	-1,73580
12:02	-0,83019	0,00000	-1,43400
12:08	-0,45283	0,00000	-0,52830
12:14	-0,52830	0,00000	-0,52830
12:20	-0,45283	0,00000	-0,52830
12:26	-0,45283	0,00000	-0,60377
12:32	-0,45283	0,00000	-0,60377
12:38	-0,45283	0,00000	-0,60377
12:44	-0,45283	0,00000	-0,60377
12:50	-0,52830	0,00000	-0,67925
12:56	-0,45283	0,00000	-0,67925
13:02	-0,45283	0,00000	-0,67925
13:08	-0,45283	0,00000	-0,67925
13:14	-0,52830	0,00000	-0,67925
13:20	-0,45283	0,00000	-0,75472
13:26	-0,52830	0,00000	-0,75472
13:32	-0,52830	0,00000	-0,75472
13:38	-0,52830	0,00000	-0,75472
13:44	-0,52830	0,00000	-0,75472
13:50	-0,52830	0,00000	-0,75472
13:56	-0,45283	0,00000	-0,75472
14:02	-0,52830	0,00000	-0,83019
14:08	-0,52830	0,00000	-0,83019
14:14	-0,45283	0,00000	-0,83019
14:20	-0,75472	0,00000	-0,83019
14:26	-0,75472	0,00000	-0,83019
14:32	-0,75472	0,00000	-0,83019
14:38	-0,75472	0,00000	-0,90566

Time (hh:mm)	DEP-1 Calculated Field, (V/m)	DEP-2 Calculated Field, (V/m)	DEP-3 Calculated Field, (V/m)
14:44	-0,75472	0,00000	-0,90566
14:50	-0,83019	0,00000	-0,90566
14:56	-0,83019	0,00000	-0,90566
15:02	-0,83019	0,00000	-0,98113
15:08	-0,83019	0,00000	-0,98113
15:14	-0,83019	0,00000	-0,98113
15:20	-0,83019	0,00000	-0,90566
15:26	-0,90566	0,00000	-0,90566
15:32	-0,90566	0,00000	-1,05660
15:38	-0,90566	0,00000	-1,05660
15:44	-0,45283	0,00000	-1,05660
15:50	-0,45283	0,00000	-1,05660
15:56	-0,45283	0,00000	-1,13210
16:02	-0,45283	0,00000	-1,05660
16:08	-0,45283	0,00000	-0,98113
16:14	-0,37736	0,00000	-1,05660
16:20	-0,37736	0,00000	-1,05660
16:26	-0,45283	0,00000	-1,05660
16:32	-0,37736	0,00000	-0,98113
16:38	-0,37736	0,00000	-0,98113
16:44	-0,60377	0,00000	-0,98113
16:50	-0,45283	0,00000	-0,98113
16:56	0,06345	0,00000	-0,98113
17:02	0,00000	0,00000	-0,98113
17:08	0,12690	0,00000	-0,90566
17:14	0,12690	0,00000	-0,90566
17:20	0,12690	0,00000	-0,98113
17:26	0,12690	0,00000	-0,98113
17:32	0,06345	0,00000	-0,98113
17:38	0,06345	0,00000	-0,98113
17:44	-0,45283	0,00000	0,00000
17:50	-0,45283	0,00000	-0,98113
17:56	-0,45283	0,00000	-0,98113
18:02	-0,45283	0,00000	-0,90566
18:08	-0,45283	0,00000	-0,90566
18:14	-0,37736	0,00000	-0,90566
18:20	-0,37736	0,00000	-0,98113
18:26	-0,45283	0,00000	-0,90566
18:32	-0,37736	0,00000	-0,98113
18:38	-0,37736	0,00000	-0,90566
18:44	-0,60377	0,00000	-1,13210
18:50	-0,45283	0,00000	-0,98113
18:56	-0,07614	0,00000	-0,98113
19:02	0,63452	0,00000	-1,20750
19:08	-0,07614	0,00000	-1,13210
19:14	-0,07614	0,00000	-0,98113
19:20	-0,08249	0,00000	-0,98113
19:26	-0,02487	0,00000	-0,98113
19:32	-0,06980	0,00000	-0,98113
19:38	-0,06980	0,00000	-0,98113

Time (hh:mm)	DEP-1 Calculated Field, (V/m)	DEP-2 Calculated Field, (V/m)	DEP-3 Calculated Field, (V/m)
19:44	0,06980	0,00000	-0,98113
19:50	-0,28832	0,00000	-0,98113
19:56	0,06980	0,00000	-0,98113
20:02	0,36142	0,00000	-1,28300
20:08	-0,07854	0,00000	-1,28300
20:14	-0,07854	0,00000	-1,28300
20:20	-0,36142	0,00000	-1,35850
20:26	-0,06345	0,00000	-1,35850
20:32	0,00000	0,00000	-1,28300
20:38	0,00000	0,00000	-1,28300
20:44	-1,52280	0,00000	-1,43400
20:50	-1,42560	0,00000	-1,50940
20:56	0,06345	0,00000	-1,35850
21:02	0,00000	0,00000	-1,35850
21:08	0,12690	0,00000	-1,35850
21:14	0,12690	0,00000	-1,43400
21:20	0,12690	0,00000	-1,35850
21:26	0,12690	0,00000	-1,35850
21:32	0,06345	0,00000	-1,43400
21:38	0,06345	0,00000	-1,43400
21:44	-0,37736	0,00000	-1,66040
21:50	-0,37736	0,00000	-1,58490

Time (hh:mm)	DEP-1 Calculated Field, (V/m)	DEP-2 Calculated Field, (V/m)	DEP-3 Calculated Field, (V/m)
21:56	-0,37736	0,00000	-1,73580
22:02	-0,37736	0,00000	-1,66040
22:08	-0,37736	0,00000	-1,66040
22:14	-0,37736	0,00000	-1,66040
22:20	-0,37736	0,00000	-1,58490
22:26	-0,37736	0,00000	-1,58490
22:32	-0,37736	0,00000	-1,58490
22:38	-0,37736	0,00000	-1,66040
22:44	-0,37736	0,00000	-1,50940
22:50	-0,37736	0,00000	-1,58490
22:56	-0,37736	0,00000	-1,58490
23:02	-0,45283	0,00000	-1,58490
23:08	-0,45283	0,00000	-1,58490
23:14	-0,45283	0,00000	-1,58490
23:20	-0,52830	0,00000	-1,35850
23:26	-0,52830	0,00000	-1,43400
23:32	-0,45283	0,00000	-1,43400
23:38	-0,45283	0,00000	-1,50940
23:44	-1,23987	0,00000	-1,73580
23:50	-1,45001	0,00000	-1,35850
23:56	-1,45001	0,00000	-1,43400

Annex 34. Information from DEP-sensors for 02/06/00

Time (hh:mm)	DEP-1 Calculated Field, (V/m)	DEP-2 Calculated Field, (V/m)	DEP-3 Calculated Field, (V/m)
0:00	-0,06345	0,00000	-0,90566
0:06	-0,06345	0,00000	-0,90566
0:12	-0,06345	0,00000	-0,90566
0:18	-0,06345	0,00000	-0,90566
0:24	-0,06345	0,00000	-0,90566
0:30	-0,06345	0,00000	-0,90566
0:36	-0,06345	0,00000	-0,90566
0:42	-0,06345	0,00000	-0,83019
0:48	-0,06345	0,00000	-0,83019
0:54	-0,06345	0,00000	-0,83019
1:00	-0,06345	0,00000	-0,83019
1:06	-0,06345	0,00000	-0,83019
1:12	-0,06345	0,00000	-0,83019
1:18	0,00000	0,00000	-0,83019
1:24	0,00000	0,00000	-0,83019
1:30	0,00000	0,00000	-0,83019
1:36	0,00000	0,00000	-0,90566
1:42	0,00000	0,00000	-1,13210
1:48	0,00000	0,00000	-1,13210
1:54	0,00000	0,00000	-1,13210
2:00	0,06345	0,00000	-1,13210
2:06	-0,06345	0,00000	-1,20750
2:12	-0,06345	0,00000	-1,05660
2:18	-0,06345	0,00000	-1,13210
2:24	-0,06345	0,00000	-1,13210
2:30	-0,06345	0,00000	-1,13210
2:36	-0,06345	0,00000	-1,13210
2:42	-0,06345	0,00000	-1,20750
2:48	0,00000	0,00000	-1,20750
2:54	-0,06345	0,00000	-1,13210
3:00	-0,06345	0,00000	-1,13210
3:06	-0,06345	0,00000	-1,05660
3:12	-0,06345	0,00000	-1,13210
3:18	-0,06345	0,00000	-1,05660
3:24	-0,06345	0,00000	-1,13210
3:30	-0,06345	0,00000	-1,13210
3:36	-0,06345	0,00000	-1,13210
3:42	-0,06345	0,00000	-1,05660
3:48	-0,06345	0,00000	-1,05660
3:54	-0,06345	0,00000	-1,13210
4:00	0,00000	0,00000	-0,75472
4:06	-0,06345	0,00000	-0,45283
4:12	-0,06345	0,00000	-0,45283
4:18	0,00000	0,00000	-0,45283
4:24	-0,06345	0,00000	-0,52830
4:30	-0,06345	0,00000	-0,52830
4:36	0,00000	0,00000	-0,60377
4:42	0,00000	0,00000	-0,52830
4:48	-0,06345	0,00000	-0,52830
4:54	-0,06345	0,00000	-0,52830
5:00	-0,06345	0,00000	-0,52830

Time (hh:mm)	DEP-1 Calculated Field, (V/m)	DEP-2 Calculated Field, (V/m)	DEP-3 Calculated Field, (V/m)
5:06	0,00000	0,00000	-0,52830
5:12	0,00000	0,00000	0,52830
5:18	0,00000	0,00000	-0,52830
5:24	0,00000	0,00000	-0,45283
5:30	0,00000	0,00000	-0,52830
5:36	-0,06345	0,00000	-0,52830
5:42	-0,06345	0,00000	-0,52830
5:48	-0,06345	0,00000	-0,52830
5:54	-0,06345	0,00000	-0,52830
6:00	-0,06345	0,00000	-0,52830
6:06	-0,06345	0,00000	-0,45283
6:12	-0,06345	0,00000	-0,52830
6:18	-0,06345	0,00000	-0,52830
6:24	0,00000	0,00000	-0,52830
6:30	0,00000	0,00000	-0,52830
6:36	0,00000	0,00000	-0,52830
6:42	0,00000	0,00000	-0,45283
6:48	0,00000	0,00000	-0,45283
6:54	0,00000	0,00000	-0,52830
7:00	0,00000	0,00000	-0,45283
7:06	-0,06345	0,00000	-0,52830
7:12	-0,06345	0,00000	-0,45283
7:18	-0,06345	0,00000	-0,52830
7:24	-0,06345	0,00000	-0,52830
7:30	-0,06345	0,00000	-0,52830
7:36	-0,06345	0,00000	-0,52830
7:42	-0,06345	0,00000	-0,52830
7:48	-0,06345	0,00000	-0,52830
7:54	-0,45283	0,00000	-0,60377
8:00	-0,45283	0,00000	-0,60377
8:06	-0,52830	0,00000	-0,60377
8:12	-0,45283	0,00000	-0,60377
8:18	-0,45283	0,00000	-0,60377
8:24	-0,45283	0,00000	-0,67925
8:30	-0,45283	0,00000	-0,67925
8:36	-0,52830	0,00000	-0,67925
8:42	-0,52830	0,00000	-0,67925
8:48	-0,45283	0,00000	-0,67925
8:54	-0,06345	0,00000	-0,67925
9:00	-0,06345	0,00000	-0,67925
9:06	-0,06345	0,00000	-0,67925
9:12	-0,06345	0,00000	-0,67925
9:18	-0,06345	0,00000	-0,75472
9:24	-0,06345	0,00000	-0,75472
9:30	-0,06345	0,00000	-0,75472
9:36	-0,06345	0,00000	-0,75472
9:42	0,00000	0,00000	-0,75472
9:48	0,00000	0,00000	-0,75472
9:54	0,00000	0,00000	-0,75472
10:00	0,00000	0,00000	-0,75472
10:06	0,00000	0,00000	-0,75472

Time (hh:mm)	DEP-1 Calculated Field, (V/m)	DEP-2 Calculated Field, (V/m)	DEP-3 Calculated Field, (V/m)
10:12	0,06345	0,00000	-0,75472
10:18	0,12690	0,00000	-0,75472
10:24	0,06345	0,00000	-0,67925
10:30	0,06345	0,00000	-0,67925
10:36	0,06345	0,00000	-0,67925
10:42	0,06345	0,00000	-0,67925
10:48	0,00000	0,00000	-0,67925
10:54	0,06345	0,00000	-0,67925
11:00	0,06345	0,00000	-0,60377
11:06	0,06345	0,00000	-0,60377
11:12	0,00000	0,00000	-0,60377
11:18	0,00000	0,00000	-0,60377
11:24	0,00000	0,00000	-0,60377
11:30	0,00000	0,00000	-0,52830
11:36	3,60377	0,00000	1,13210
11:42	3,60377	0,00000	1,28300
11:48	4,00045	0,00000	0,98113
11:54	4,00045	0,00000	0,98113
12:00	4,00045	0,00000	0,83019
12:06	4,28120	0,00000	0,98113
12:12	3,95760	0,00000	0,83019
12:18	3,95760	0,00000	0,75472
12:24	4,00045	0,00000	-0,75472
12:30	4,11119	0,00000	-0,75472
12:36	4,28120	0,00000	-0,75472
12:42	4,28120	0,00000	-0,67925
12:48	4,28120	0,00000	-0,67925
12:54	4,00045	0,00000	-0,67925
13:00	4,28120	0,00000	-0,67925
13:06	3,95760	0,00000	-0,67925
13:12	3,60377	0,00000	-0,75472
13:18	3,95760	0,00000	-0,83019
13:24	3,95760	0,00000	-0,75472
13:30	4,28120	0,00000	-0,75472
13:36	0,67925	0,00000	-1,28300
13:42	0,67925	0,00000	-1,50940
13:48	0,75472	0,00000	-1,50940
13:54	0,67925	0,00000	-1,58490
14:00	-0,75472	0,00000	-1,58490
14:06	-0,75472	0,00000	-1,58490
14:12	0,75472	0,00000	-1,58490
14:18	0,75472	0,00000	-1,58490
14:24	-0,67925	0,00000	-1,58490
14:30	-0,67925	0,00000	-1,58490
14:36	-0,06345	0,00000	-1,66040
14:42	-0,06345	0,00000	-1,58490
14:48	-0,06345	0,00000	-1,66040
14:54	-0,06345	0,00000	-1,66040
15:00	-0,06345	0,00000	-1,66040
15:06	-0,06345	0,00000	-1,58490
15:12	-0,06345	0,00000	-1,58490
15:18	-0,06345	0,00000	-1,66040
15:24	0,00000	0,00000	-1,66040

Time (hh:mm)	DEP-1 Calculated Field, (V/m)	DEP-2 Calculated Field, (V/m)	DEP-3 Calculated Field, (V/m)
15:30	0,00000	0,00000	-1,58490
15:36	0,00000	0,00000	-1,58490
15:42	0,00000	0,00000	-1,58490
15:48	0,00000	0,00000	-1,58490
15:54	0,00000	0,00000	-1,50940
16:00	0,06345	0,00000	-1,50940
16:06	0,06345	0,00000	-1,58490
16:12	0,06345	0,00000	-1,50940
16:18	0,06345	0,00000	-1,43400
16:24	0,06345	0,00000	-1,35850
16:30	0,06345	0,00000	-1,43400
16:36	-0,06345	0,00000	-1,35850
16:42	-0,06345	0,00000	-1,35850
16:48	0,00000	0,00000	-1,28300
16:54	0,00000	0,00000	-1,28300
17:00	0,00000	0,00000	-1,28300
17:06	0,06345	0,00000	-1,28300
17:12	0,12690	0,00000	-1,28300
17:18	0,06345	0,00000	-1,28300
17:24	0,06345	0,00000	-1,28300
17:30	0,06345	0,00000	-1,28300
17:36	0,12690	0,00000	-1,35850
17:42	0,12690	0,00000	-1,28300
17:48	0,12690	0,00000	-1,28300
17:54	0,12690	0,00000	-1,28300
18:00	0,12690	0,00000	-1,28300
18:06	0,12690	0,00000	-1,28300
18:12	0,06345	0,00000	-1,20750
18:18	0,12690	0,00000	-1,28300
18:24	0,06345	0,00000	-1,28300
18:30	0,06345	0,00000	-1,28300
18:36	0,06345	0,00000	-1,28300
18:42	0,06345	0,00000	-1,28300
18:48	0,06345	0,00000	-1,28300
18:54	0,06345	0,00000	-1,28300
19:00	0,06345	0,00000	-1,28300
19:06	0,06345	0,00000	-1,28300
19:12	0,06345	0,00000	-1,28300
19:18	0,12690	0,00000	-1,20750
19:24	0,06345	0,00000	-1,28300
19:30	0,06345	0,00000	-1,28300
19:36	0,06345	0,00000	-1,28300
19:42	-0,45283	0,00000	-1,28300
19:48	-0,45283	0,00000	-1,28300
19:54	-0,52830	0,00000	-1,66040
20:00	-0,45283	0,00000	-1,58490
20:06	-0,45283	0,00000	-1,50940
20:12	-0,45283	0,00000	-1,50940
20:18	-0,45283	0,00000	-1,43400
20:24	-0,52830	0,00000	-1,43400
20:30	-0,52830	0,00000	-1,35850
20:36	-0,45283	0,00000	-1,35850
20:42	-0,45283	0,00000	-1,35850

Time (hh:mm)	DEP-1 Calculated Field, (V/m)	DEP-2 Calculated Field, (V/m)	DEP-3 Calculated Field, (V/m)
20:48	-0,45283	0,00000	-1,35850
20:54	-0,06345	0,00000	-1,28300
21:00	-0,06345	0,00000	-1,28300
21:06	-0,06345	0,00000	-1,28300
21:12	-0,06345	0,00000	-1,28300
21:18	-0,06345	0,00000	-1,28300
21:24	-0,06345	0,00000	-1,28300
21:30	-0,06345	0,00000	-1,28300
21:36	-0,06345	0,00000	-1,28300
21:42	-0,06345	0,00000	-1,28300
21:48	-0,06345	0,00000	-1,28300
21:54	-0,06345	0,00000	-1,35850
22:00	-0,06345	0,00000	-1,28300
22:06	-0,06345	0,00000	-1,35850
22:12	-0,06345	0,00000	-1,35850
22:18	-0,06345	0,00000	-1,28300

Time (hh:mm)	DEP-1 Calculated Field, (V/m)	DEP-2 Calculated Field, (V/m)	DEP-3 Calculated Field, (V/m)
22:24	-0,06345	0,00000	-1,28300
22:30	-0,45283	0,00000	-1,28300
22:36	-0,45283	0,00000	-1,35850
22:42	-0,52830	0,00000	-1,28300
22:48	-0,45283	0,00000	-1,28300
22:54	-0,45283	0,00000	-1,28300
23:00	-0,45283	0,00000	-1,20750
23:06	-0,45283	0,00000	-1,20750
23:12	-0,52830	0,00000	-1,20750
23:18	-0,52830	0,00000	-1,20750
23:24	-0,45283	0,00000	-1,13210
23:30	-0,45283	0,00000	-1,20750
23:36	-0,45283	0,00000	-1,20750
23:42	0,00000	0,00000	-1,13210
23:48	0,00000	0,00000	-1,13210
23:54	0,00000	0,00000	-1,20750

Annex 35. Information from DEP-sensors for 03/06/00

Time (hh:mm)	DEP-1 Calculated Field, (V/m)	DEP-2 Calculated Field, (V/m)	DEP-3 Calculated Field, (V/m)
0:00	-0,06345	0,00000	-1,20750
0:06	-0,06345	0,00000	-1,28300
0:12	-0,06345	0,00000	-1,58490
0:18	-0,06345	0,00000	-1,81130
0:24	-0,06345	0,00000	-1,81130
0:30	-0,06345	0,00000	-1,66040
0:36	-0,06345	0,00000	-1,58490
0:42	-0,06345	0,00000	-1,43400
0:48	0,00000	0,00000	-1,43400
0:54	0,00000	0,00000	-1,66040
1:00	0,00000	0,00000	-1,73580
1:06	0,00000	0,00000	-1,73580
1:12	0,00000	0,00000	-1,73580
1:18	0,00000	0,00000	-1,73580
1:24	0,00000	0,00000	-1,73580
1:30	0,00000	0,00000	-1,73580
1:36	0,00000	0,00000	-1,73580
1:42	0,00000	0,00000	-1,66040
1:48	0,00000	0,00000	-1,58490
1:54	0,00000	0,00000	-1,58490
2:00	0,00000	0,00000	-1,43400
2:06	0,00000	0,00000	-1,35850
2:12	-0,06345	0,00000	-1,05660
2:18	-0,06345	0,00000	-0,83019
2:24	-0,06345	0,00000	-0,83019
2:30	-0,06345	0,00000	-0,90566
2:36	0,00000	0,00000	-0,98113
2:42	-0,06345	0,00000	-0,98113
2:48	-0,06345	0,00000	-1,05660
2:54	-0,06345	0,00000	-1,05660
3:00	-0,06345	0,00000	-1,05660
3:06	-0,06345	0,00000	-1,05660
3:12	-0,06345	0,00000	-1,05660
3:18	0,00000	0,00000	-1,05660
3:24	-0,06345	0,00000	-1,05660
3:30	-0,06345	0,00000	-1,05660
3:36	-0,06345	0,00000	-1,05660
3:42	-0,06345	0,00000	-1,05660
3:48	0,00000	0,00000	-1,13210
3:54	0,00000	0,00000	-1,13210
4:00	-0,06345	0,00000	-0,75472
4:06	-0,06345	0,00000	-0,45283
4:12	-0,06345	0,00000	-0,45283
4:18	-0,06345	0,00000	-0,52830
4:24	0,00000	0,00000	-0,52830
4:30	-0,06345	0,00000	-0,60377
4:36	-0,06345	0,00000	-0,52830
4:42	0,00000	0,00000	-0,52830
4:48	0,00000	0,00000	-0,52830
4:54	-0,06345	0,00000	-0,52830
5:00	0,00000	0,00000	-0,45283

Time (hh:mm)	DEP-1 Calculated Field, (V/m)	DEP-2 Calculated Field, (V/m)	DEP-3 Calculated Field, (V/m)
5:06	0,00000	0,00000	-0,45283
5:12	0,00000	0,00000	-0,52830
5:18	0,00000	0,00000	-0,52830
5:24	0,00000	0,00000	-0,52830
5:30	-0,06345	0,00000	-0,52830
5:36	0,00000	0,00000	-0,52830
5:42	0,00000	0,00000	-0,52830
5:48	0,00000	0,00000	-0,37736
5:54	0,00000	0,00000	-0,45283
6:00	-0,06345	0,00000	-0,45283
6:06	0,00000	0,00000	-0,45283
6:12	0,00000	0,00000	-0,45283
6:18	0,00000	0,00000	-0,45283
6:24	0,00000	0,00000	-0,37736
6:30	0,00000	0,00000	-0,52830
6:36	0,00000	0,00000	-0,45283
6:42	0,00000	0,00000	-0,52830
6:48	0,00000	0,00000	-0,52830
6:54	0,00000	0,00000	-0,52830
7:00	-0,06345	0,00000	-0,60377
7:06	0,00000	0,00000	-0,52830
7:12	0,00000	0,00000	-0,52830
7:18	0,00000	0,00000	-0,60377
7:24	0,00000	0,00000	-0,60377
7:30	0,00000	0,00000	-0,60377
7:36	0,00000	0,00000	-0,60377
7:42	0,00000	0,00000	-0,60377
7:48	0,00000	0,00000	-0,60377
7:54	0,00000	0,00000	-0,60377
8:00	0,00000	0,00000	-0,60377
8:06	0,00000	0,00000	-0,60377
8:12	0,00000	0,00000	-0,60377
8:18	0,00000	0,00000	-0,60377
8:24	0,00000	0,00000	-0,67925
8:30	-0,06345	0,00000	-0,67925
8:36	0,00000	0,00000	-0,67925
8:42	0,00000	0,00000	-0,67925
8:48	0,00000	0,00000	-0,67925
8:54	0,00000	0,00000	-0,75472
9:00	0,00000	0,00000	-0,75472
9:06	0,00000	0,00000	-0,75472
9:12	0,00000	0,00000	-0,75472
9:18	-0,06345	0,00000	-0,75472
9:24	-0,06345	0,00000	-0,75472
9:30	-0,06345	0,00000	-0,75472
9:36	-0,06345	0,00000	-0,75472
9:42	-0,06345	0,00000	-0,75472
9:48	-0,06345	0,00000	-0,75472
9:54	-0,06345	0,00000	-0,75472
10:00	-0,06345	0,00000	-0,75472
10:06	-0,06345	0,00000	-0,67925

Time (hh:mm)	DEP-1 Calculated Field, (V/m)	DEP-2 Calculated Field, (V/m)	DEP-3 Calculated Field, (V/m)
10:12	-0,06345	0,00000	-0,67925
10:18	-0,06345	0,00000	-0,67925
10:24	-0,06345	0,00000	-0,60377
10:30	-0,06345	0,00000	-0,60377
10:36	-0,06345	0,00000	-0,60377
10:42	-0,06345	0,00000	-0,60377
10:48	-0,06345	0,00000	-0,60377
10:54	0,00000	0,00000	-0,52830
11:00	0,00000	0,00000	-0,60377
11:06	0,00000	0,00000	-0,52830
11:12	0,00000	0,00000	-0,52830
11:18	3,98701	0,00000	0,67925
11:24	4,00019	0,00000	0,90566
11:30	4,00019	0,00000	0,83019
11:36	3,83019	0,00000	0,67925
11:42	4,52830	0,00000	0,75472
11:48	4,52830	0,00000	0,67925
11:54	4,52830	0,00000	0,67925
12:00	4,52830	0,00000	0,60377
12:06	4,60377	0,00000	-0,52830
12:12	4,00019	0,00000	-0,52830
12:18	3,98701	0,00000	-0,52830
12:24	4,52830	0,00000	-0,52830
12:30	3,98701	0,00000	-0,60377
12:36	4,52830	0,00000	-0,60377
12:42	4,60377	0,00000	-0,60377
12:48	4,60377	0,00000	-0,67925
12:54	4,60377	0,00000	-0,60377
13:00	4,60377	0,00000	-0,67925
13:06	4,60377	0,00000	-0,67925
13:12	4,52830	0,00000	-0,75472
13:18	-0,67925	0,00000	-0,98113
13:24	-0,67925	0,00000	-1,43400
13:30	-0,75472	0,00000	-1,50940
13:36	-0,67925	0,00000	-1,50940
13:42	-0,75472	0,00000	-1,50940
13:48	-0,75472	0,00000	-1,50940
13:54	-0,75472	0,00000	-1,50940
14:00	-0,75472	0,00000	-1,50940
14:06	-0,67925	0,00000	-1,50940
14:12	-0,67925	0,00000	-1,50940
14:18	-0,67925	0,00000	-1,43400
14:24	-0,67925	0,00000	-1,50940
14:30	-0,67925	0,00000	-1,50940
14:36	-0,60377	0,00000	-1,43400
14:42	-0,60377	0,00000	-1,43400
14:48	-0,60377	0,00000	-1,35850
14:54	0,06345	0,00000	-1,28300
15:00	0,12690	0,00000	-1,35850
15:06	0,06345	0,00000	-1,28300
15:12	0,06345	0,00000	-1,28300
15:18	0,06345	0,00000	-1,28300
15:24	-0,06345	0,00000	-1,28300

Time (hh:mm)	DEP-1 Calculated Field, (V/m)	DEP-2 Calculated Field, (V/m)	DEP-3 Calculated Field, (V/m)
15:30	-0,06345	0,00000	-1,28300
15:36	-0,06345	0,00000	-1,28300
15:42	-0,06345	0,00000	-1,28300
15:48	-0,06345	0,00000	-1,28300
15:54	-0,06345	0,00000	-1,35850
16:00	-0,06345	0,00000	-1,28300
16:06	-0,06345	0,00000	-1,28300
16:12	0,06345	0,00000	-1,28300
16:18	0,12690	0,00000	-1,20750
16:24	0,06345	0,00000	-1,20750
16:30	0,06345	0,00000	-1,20750
16:36	0,06345	0,00000	-1,20750
16:42	0,00000	0,00000	-1,28300
16:48	0,00000	0,00000	-1,28300
16:54	0,00000	0,00000	-1,28300
17:00	0,00000	0,00000	-1,20750
17:06	0,00000	0,00000	-1,20750
17:12	0,06345	0,00000	-1,20750
17:18	0,12690	0,00000	-1,20750
17:24	0,06345	0,00000	-1,20750
17:30	0,06345	0,00000	-1,20750
17:36	0,06345	0,00000	-1,20750
17:42	0,12690	0,00000	-1,20750
17:48	0,00000	0,00000	-1,20750
17:54	0,12690	0,00000	-1,20750
18:00	0,12690	0,00000	-1,20750
18:06	0,12690	0,00000	-1,20750
18:12	0,12690	0,00000	-1,20750
18:18	0,12690	0,00000	-1,20750
18:24	0,12690	0,00000	-1,20750
18:30	0,00000	0,00000	-1,20750
18:36	0,00000	0,00000	-1,20750
18:42	0,00000	0,00000	-1,20750
18:48	0,00000	0,00000	-1,20750
18:54	0,00000	0,00000	-1,20750
19:00	0,00000	0,00000	-1,20750
19:06	0,00000	0,00000	-1,20750
19:12	0,00000	0,00000	-1,20750
19:18	0,00000	0,00000	-1,20750
19:24	0,06345	0,00000	-1,20750
19:30	0,12690	0,00000	-1,20750
19:36	0,06345	0,00000	-1,20750
19:42	0,06345	0,00000	-1,20750
19:48	0,06345	0,00000	-1,20750
19:54	0,00000	0,00000	-1,58490
20:00	0,00000	0,00000	-1,58490
20:06	0,00000	0,00000	-1,58490
20:12	0,12690	0,00000	-1,50940
20:18	0,06345	0,00000	-1,50940
20:24	0,06345	0,00000	-1,43400
20:30	0,06345	0,00000	-1,35850
20:36	0,00000	0,00000	-1,43400
20:42	0,00000	0,00000	-1,35850

Time (hh:mm)	DEP-1 Calculated Field, (V/m)	DEP-2 Calculated Field, (V/m)	DEP-3 Calculated Field, (V/m)
20:48	0,00000	0,00000	-1,35850
20:54	0,00000	0,00000	-1,35850
21:00	0,00000	0,00000	-1,35850
21:06	0,00000	0,00000	-1,35850
21:12	-0,06345	0,00000	1,43400
21:18	-0,06345	0,00000	-2,11320
21:24	-0,06345	0,00000	-1,81130
21:30	-0,06345	0,00000	-1,81130
21:36	-0,06345	0,00000	-1,73580
21:42	-0,06345	0,00000	-1,81130
21:48	-0,06345	0,00000	-1,81130
21:54	-0,06345	0,00000	-1,73580
22:00	-0,06345	0,00000	-1,58490
22:06	-0,06345	0,00000	-1,58490
22:12	-0,06345	0,00000	-1,58490
22:18	-0,06345	0,00000	-1,58490

Time (hh:mm)	DEP-1 Calculated Field, (V/m)	DEP-2 Calculated Field, (V/m)	DEP-3 Calculated Field, (V/m)
22:24	-0,06345	0,00000	-1,66040
22:30	-0,06345	0,00000	-1,66040
22:36	-0,06345	0,00000	-1,58490
22:42	-0,06345	0,00000	-1,50940
22:48	0,00000	0,00000	-1,50940
22:54	0,00000	0,00000	-1,43400
23:00	0,00000	0,00000	-1,43400
23:06	-0,06345	0,00000	-1,35850
23:12	-0,06345	0,00000	-1,28300
23:18	-0,06345	0,00000	-1,28300
23:24	-0,06345	0,00000	-1,20750
23:30	-0,06345	0,00000	-1,13210
23:36	-0,06345	0,00000	-1,13210
23:42	-0,06345	0,00000	-1,05660
23:48	-0,06345	0,00000	-1,05660
23:54	0,00000	0,00000	-1,05660

Annex 36. Information from DEP-sensors for 04/06/00

Time (hh:mm)	DEP-1 Calculated Field, (V/m)	DEP-2 Calculated Field, (V/m)	DEP-3 Calculated Field, (V/m)
0:00	0,00000	0,00000	-0,98113
0:06	0,00000	0,00000	-0,98113
0:12	0,00000	0,00000	-0,90566
0:18	-0,06345	0,00000	-0,90566
0:24	-0,06345	0,00000	-0,90566
0:30	-0,06345	0,00000	-0,90566
0:36	-0,06345	0,00000	-0,90566
0:42	-0,06345	0,00000	-0,90566
0:48	-0,06345	0,00000	-0,90566
0:54	-0,06345	0,00000	-0,83019
1:00	-0,06345	0,00000	-0,83019
1:06	0,00000	0,00000	-0,83019
1:12	0,00000	0,00000	-0,83019
1:18	0,00000	0,00000	-0,83019
1:24	0,00000	0,00000	-0,83019
1:30	0,00000	0,00000	-0,83019
1:36	0,00000	0,00000	-0,83019
1:42	0,00000	0,00000	-0,83019
1:48	0,00000	0,00000	-0,83019
1:54	0,00000	0,00000	-0,83019
2:00	-0,06345	0,00000	-0,83019
2:06	-0,06345	0,00000	-0,83019
2:12	-0,06345	0,00000	-0,83019
2:18	-0,06345	0,00000	-0,90566
2:24	0,00000	0,00000	-0,90566
2:30	-0,06345	0,00000	-0,90566
2:36	-0,06345	0,00000	-0,90566
2:42	-0,06345	0,00000	-0,90566
2:48	-0,06345	0,00000	-0,90566
2:54	-0,06345	0,00000	-0,90566
3:00	-0,06345	0,00000	-0,90566
3:06	-0,06345	0,00000	-0,90566
3:12	-0,06345	0,00000	-0,98113
3:18	-0,06345	0,00000	-1,05660
3:24	-0,06345	0,00000	-1,05660
3:30	-0,06345	0,00000	-1,13210
3:36	-0,06345	0,00000	-1,05660
3:42	-0,06345	0,00000	-1,05660
3:48	-0,06345	0,00000	-1,13210
3:54	-0,06345	0,00000	-1,13210
4:00	-0,06345	0,00000	-0,83019
4:06	-0,06345	0,00000	-0,45283
4:12	-0,06345	0,00000	-0,45283
4:18	-0,06345	0,00000	-0,45283
4:24	-0,06345	0,00000	-0,52830
4:30	0,06345	0,00000	-0,37736
4:36	-0,06345	0,00000	-0,60377
4:42	-0,06345	0,00000	-0,52830
4:48	-0,06345	0,00000	-0,52830
4:54	0,00000	0,00000	-0,45283
5:00	0,00000	0,00000	-0,45283

Time (hh:mm)	DEP-1 Calculated Field, (V/m)	DEP-2 Calculated Field, (V/m)	DEP-3 Calculated Field, (V/m)
5:06	-0,06345	0,00000	-0,45283
5:12	-0,06345	0,00000	-0,45283
5:18	0,00000	0,00000	-0,45283
5:24	0,00000	0,00000	-0,45283
5:30	0,00000	0,00000	-0,45283
5:36	-0,06345	0,00000	-0,45283
5:42	0,00000	0,00000	-0,45283
5:48	0,00000	0,00000	-0,45283
5:54	-0,06345	0,00000	-0,45283
6:00	0,00000	0,00000	-0,45283
6:06	0,00000	0,00000	-0,52830
6:12	0,00000	0,00000	-0,52830
6:18	0,00000	0,00000	-0,45283
6:24	0,00000	0,00000	-0,52830
6:30	0,00000	0,00000	-0,52830
6:36	0,00000	0,00000	-0,52830
6:42	-0,06345	0,00000	-0,52830
6:48	-0,06345	0,00000	-0,52830
6:54	-0,06345	0,00000	-0,52830
7:00	-0,06345	0,00000	-0,52830
7:06	-0,06345	0,00000	-0,52830
7:12	-0,06345	0,00000	-0,60377
7:18	-0,06345	0,00000	-0,60377
7:24	-0,06345	0,00000	-0,60377
7:30	-0,06345	0,00000	-0,60377
7:36	-0,06345	0,00000	-0,60377
7:42	-0,06345	0,00000	-0,60377
7:48	-0,06345	0,00000	-0,60377
7:54	-0,06345	0,00000	-0,67925
8:00	-0,06345	0,00000	-0,67925
8:06	-0,06345	0,00000	-0,67925
8:12	-0,06345	0,00000	-0,67925
8:18	-0,06345	0,00000	-0,67925
8:24	0,06345	0,00000	-0,67925
8:30	0,12690	0,00000	-0,67925
8:36	0,06345	0,00000	-0,75472
8:42	0,06345	0,00000	-0,75472
8:48	0,06345	0,00000	-0,75472
8:54	0,00000	0,00000	-0,75472
9:00	0,00000	0,00000	-0,83019
9:06	0,00000	0,00000	-0,83019
9:12	0,00000	0,00000	-0,75472
9:18	0,00000	0,00000	-0,83019
9:24	0,06345	0,00000	-0,83019
9:30	0,12690	0,00000	-0,83019
9:36	0,06345	0,00000	-0,83019
9:42	0,06345	0,00000	-0,83019
9:48	0,06345	0,00000	-0,83019
9:54	0,12690	0,00000	-0,75472
10:00	0,12690	0,00000	-0,83019
10:06	0,12690	0,00000	-0,75472

Time (hh:mm)	DEP-1 Calculated Field, (V/m)	DEP-2 Calculated Field, (V/m)	DEP-3 Calculated Field, (V/m)
10:12	0,12690	0,00000	-0,75472
10:18	-0,06345	0,00000	-0,75472
10:24	-0,06345	0,00000	-0,67925
10:30	-0,06345	0,00000	-0,67925
10:36	-0,06345	0,00000	-0,67925
10:42	-0,06345	0,00000	-0,67925
10:48	-0,06345	0,00000	-0,67925
10:54	-0,06345	0,00000	-0,60377
11:00	-0,06345	0,00000	-0,60377
11:06	0,00000	0,00000	-0,52830
11:12	4,00011	0,00000	0,90566
11:18	4,28120	0,00000	0,83019
11:24	3,90566	0,00000	0,75472
11:30	4,00011	0,00000	0,75472
11:36	3,60377	0,00000	0,75472
11:42	3,60377	0,00000	0,67925
11:48	3,60377	0,00000	0,60377
11:54	3,60377	0,00000	0,60377
12:00	3,60377	0,00000	0,60377
12:06	3,90566	0,00000	0,60377
12:12	3,90566	0,00000	-0,52830
12:18	4,00011	0,00000	-0,52830
12:24	4,00011	0,00000	-0,60377
12:30	3,90666	0,00000	-0,60377
12:36	4,00011	0,00000	-0,60377
12:42	4,28120	0,00000	-0,60377
12:48	3,90566	0,00000	-0,67925
12:54	4,00011	0,00000	-0,67925
13:00	4,28120	0,00000	-0,67925
13:06	3,90666	0,00000	-0,60377
13:12	0,06345	0,00000	-1,35850
13:18	0,12690	0,00000	-1,43400
13:24	0,06345	0,00000	-1,50940
13:30	0,06345	0,00000	-1,50940
13:36	0,06345	0,00000	-1,50940
13:42	0,06345	0,00000	-1,50940
13:48	0,00000	0,00000	-1,50940
13:54	0,06345	0,00000	-1,50940
14:00	0,06345	0,00000	-1,43400
14:06	0,06345	0,00000	-1,43400
14:12	-0,06345	0,00000	-1,43400
14:18	-0,06345	0,00000	-1,43400
14:24	-0,06345	0,00000	-1,43400
14:30	-0,06345	0,00000	-1,43400
14:36	-0,06345	0,00000	-1,35850
14:42	-0,06345	0,00000	-1,43400
14:48	-0,06345	0,00000	-1,43400
14:54	-0,06345	0,00000	-1,43400
15:00	0,00000	0,00000	-1,43400
15:06	0,00000	0,00000	-1,43400
15:12	0,00000	0,00000	-1,43400
15:18	0,00000	0,00000	-1,43400
15:24	0,00000	0,00000	-1,43400

Time (hh:mm)	DEP-1 Calculated Field, (V/m)	DEP-2 Calculated Field, (V/m)	DEP-3 Calculated Field, (V/m)
15:30	0,00000	0,00000	-1,43400
15:36	0,00000	0,00000	-1,43400
15:42	0,00000	0,00000	-1,43400
15:48	-0,06345	0,00000	-1,43400
15:54	-0,06345	0,00000	-1,50940
16:00	-0,06345	0,00000	-1,43400
16:06	-0,06345	0,00000	-1,43400
16:12	-0,06345	0,00000	-1,43400
16:18	-0,06345	0,00000	-1,43400
16:24	-0,06345	0,00000	-1,35850
16:30	-0,06345	0,00000	-1,43400
16:36	0,00000	0,00000	-1,35850
16:42	-0,06345	0,00000	-1,43400
16:48	-0,06345	0,00000	-1,35850
16:54	-0,06345	0,00000	-1,35850
17:00	-0,06345	0,00000	-1,35850
17:06	-0,06345	0,00000	-1,35850
17:12	-0,06345	0,00000	-1,35850
17:18	-0,06345	0,00000	-1,35850
17:24	-0,06345	0,00000	-1,35850
17:30	0,06345	0,00000	-1,35850
17:36	0,12690	0,00000	-1,35850
17:42	0,00000	0,00000	-1,35850
17:48	0,00000	0,00000	-1,35850
17:54	0,06345	0,00000	-1,35850
18:00	0,00000	0,00000	-1,35850
18:06	0,00000	0,00000	-1,35850
18:12	0,00000	0,00000	-1,35850
18:18	0,00000	0,00000	-1,35850
18:24	-0,06345	0,00000	-1,28300
18:30	-0,06345	0,00000	-1,35850
18:36	-0,06345	0,00000	-1,35850
18:42	-0,06345	0,00000	-1,35850
18:48	-0,06345	0,00000	-1,35850
18:54	-0,06345	0,00000	-1,28300
19:00	0,06345	0,00000	-1,35850
19:06	0,12690	0,00000	-1,28300
19:12	0,06345	0,00000	-1,35850
19:18	0,06345	0,00000	-1,35850
19:24	0,06345	0,00000	-1,35850
19:30	0,12690	0,00000	-1,35850
19:36	0,06345	0,00000	-1,35850
19:42	0,06345	0,00000	-1,28300
19:48	0,06345	0,00000	-1,35850
19:54	0,00000	0,00000	-1,66040
20:00	0,00000	0,00000	-1,73580
20:06	-0,06345	0,00000	-1,66040
20:12	-0,06345	0,00000	-1,58490
20:18	-0,06345	0,00000	-1,58490
20:24	-0,06345	0,00000	-1,50940
20:30	-0,06345	0,00000	-1,43400
20:36	-0,06345	0,00000	-1,50940
20:42	-0,06345	0,00000	-1,43400

Time (hh:mm)	DEP-1 Calculated Field, (V/m)	DEP-2 Calculated Field, (V/m)	DEP-3 Calculated Field, (V/m)
20:48	-0,06345	0,00000	-1,35850
20:54	0,00000	0,00000	-1,43400
21:00	0,00000	0,00000	-1,35850
21:06	0,00000	0,00000	-1,50940
21:12	0,00000	0,00000	-1,50940
21:18	0,00000	0,00000	-1,50940
21:24	0,06345	0,00000	-1,43400
21:30	0,12690	0,00000	-1,43400
21:36	0,06345	0,00000	-1,43400
21:42	0,06345	0,00000	-1,43400
21:48	0,06345	0,00000	-1,50940
21:54	-0,67925	0,00000	-1,50940
22:00	-0,67925	0,00000	-1,50940
22:06	-0,75472	0,00000	-1,43400
22:12	-0,67925	0,00000	-1,43400
22:18	-0,75472	0,00000	-1,43400

Time (hh:mm)	DEP-1 Calculated Field, (V/m)	DEP-2 Calculated Field, (V/m)	DEP-3 Calculated Field, (V/m)
22:24	-0,06345	0,00000	-1,35850
22:30	-0,06345	0,00000	-1,35850
22:36	-0,06345	0,00000	-1,35850
22:42	-0,45283	0,00000	-1,35850
22:48	-0,45283	0,00000	-1,35850
22:54	-0,52830	0,00000	-1,35850
23:00	-0,45283	0,00000	-1,28300
23:06	-0,45283	0,00000	-1,28300
23:12	-0,45283	0,00000	-1,28300
23:18	-0,45283	0,00000	-1,50940
23:24	-0,52830	0,00000	-1,50940
23:30	-0,52830	0,00000	-1,50940
23:36	-0,45283	0,00000	-1,50940
23:42	-0,45283	0,00000	-1,35850
23:48	-0,45283	0,00000	-1,81130

Annex 37. Information from DEP-sensors for 08/06/00

Time (hh:mm)	DEP-1 Calculated Field, (V/m)	DEP-2 Calculated Field, (V/m)	DEP-3 Calculated Field, (V/m)
0:00	-0,06345	0,00000	-2,18870
0:06	-0,06345	0,00000	-2,03770
0:12	-0,06345	0,00000	-1,96230
0:18	-0,06345	0,00000	-1,96230
0:24	-0,06345	0,00000	-1,96230
0:30	-0,06345	0,00000	-1,88680
0:36	-0,06345	0,00000	-1,88680
0:42	-0,06345	0,00000	-1,88680
0:48	0,00000	0,00000	-1,88680
0:54	0,00000	0,00000	-1,96230
1:00	0,00000	0,00000	-1,88680
1:06	0,00000	0,00000	-1,88680
1:12	0,00000	0,00000	-1,81130
1:18	0,00000	0,00000	-1,58490
1:24	-0,06345	0,00000	0,60377
1:30	0,06345	0,00000	0,52830
1:36	0,06345	0,00000	-0,37736
1:42	-0,06345	0,00000	-0,45283
1:48	0,00000	0,00000	-0,37736
1:54	0,00000	0,00000	-0,45283
2:00	0,00000	0,00000	-0,45283
2:06	0,00000	0,00000	-0,45283
2:12	-0,06345	0,00000	-0,45283
2:18	0,00000	0,00000	0,83019
2:24	0,00000	0,00000	0,90566
2:30	0,00000	0,00000	0,75472
2:36	0,00000	0,00000	0,75472
2:42	0,00000	0,00000	-0,52830
2:48	-0,06345	0,00000	-0,52830
2:54	-0,06345	0,00000	-0,52830
3:00	-0,06345	0,00000	-0,67925
3:06	0,00000	0,00000	-0,67925
3:12	-0,06345	0,00000	-0,75472
3:18	-0,06345	0,00000	-0,83019
3:24	0,06345	0,00000	-0,83019
3:30	-0,06345	0,00000	-0,98113
3:36	-0,06345	0,00000	-0,98113
3:42	-0,06345	0,00000	-0,98113
3:48	0,00000	0,00000	-1,05660
3:54	-0,06345	0,00000	-1,13210
4:00	-0,06345	0,00000	-1,28300
4:06	-0,06345	0,00000	-0,60377
4:12	-0,06345	0,00000	-0,60377
4:18	0,06345	0,00000	-0,60377
4:24	-0,06345	0,00000	-0,52830
4:30	0,00000	0,00000	-0,52830
4:36	0,00000	0,00000	-0,52830
4:42	0,00000	0,00000	-0,45283
4:48	-0,06345	0,00000	-0,52830
4:54	-0,06345	0,00000	-0,52830
5:00	0,00000	0,00000	-0,52830

Time (hh:mm)	DEP-1 Calculated Field, (V/m)	DEP-2 Calculated Field, (V/m)	DEP-3 Calculated Field, (V/m)
5:06	-0,06345	0,00000	-0,45283
5:12	-0,06345	0,00000	-0,45283
5:18	0,00000	0,00000	-0,45283
5:24	0,00000	0,00000	-0,45283
5:30	0,00000	0,00000	-0,45283
5:36	-0,06345	0,00000	-0,52830
5:42	0,00000	0,00000	-0,45283
5:48	0,00000	0,00000	-0,45283
5:54	0,00000	0,00000	-0,45283
6:00	0,00000	0,00000	-0,52830
6:06	0,00000	0,00000	-0,52830
6:12	-0,06345	0,00000	-0,52830
6:18	-0,06345	0,00000	-0,52830
6:24	-0,06345	0,00000	-0,52830
6:30	-0,06345	0,00000	-0,52830
6:36	-0,06345	0,00000	-0,52830
6:42	-0,06345	0,00000	-0,52830
6:48	-0,06345	0,00000	-0,52830
6:54	-0,06345	0,00000	-0,52830
7:00	-0,06345	0,00000	-0,52830
7:06	-0,06345	0,00000	-0,52830
7:12	-0,06345	0,00000	-0,52830
7:18	-0,06345	0,00000	-0,52830
7:24	-0,06345	0,00000	-0,52830
7:30	-0,06345	0,00000	-0,52830
7:36	-0,06345	0,00000	-0,52830
7:42	-0,06345	0,00000	-0,60377
7:48	0,00000	0,00000	-0,60377
7:54	0,00000	0,00000	-0,60377
8:00	0,00000	0,00000	-0,60377
8:06	0,00000	0,00000	-0,60377
8:12	0,00000	0,00000	-0,60377
8:18	0,00000	0,00000	-0,67925
8:24	0,00000	0,00000	-0,67925
8:30	0,06345	0,00000	-0,67925
8:36	0,00000	0,00000	-0,75472
8:42	0,06345	0,00000	-0,75472
8:48	0,06345	0,00000	-0,75472
8:54	0,06345	0,00000	-0,75472
9:00	-0,06345	0,00000	-0,75472
9:06	-0,06345	0,00000	-0,83019
9:12	-0,06345	0,00000	-0,83019
9:18	-0,06345	0,00000	-0,83019
9:24	-0,06345	0,00000	-0,83019
9:30	-0,06345	0,00000	-0,83019
9:36	-0,06345	0,00000	-0,83019
9:42	-0,06345	0,00000	-0,83019
9:48	-0,06345	0,00000	-0,83019
9:54	-0,06345	0,00000	-0,83019
10:00	-0,06345	0,00000	-0,90566
10:06	-0,06345	0,00000	-0,90566

Time (hh:mm)	DEP-1 Calculated Field, (V/m)	DEP-2 Calculated Field, (V/m)	DEP-3 Calculated Field, (V/m)
10:12	-0,06345	0,00000	-0,90566
10:18	-0,06345	0,00000	-0,90566
10:24	-0,06345	0,00000	-0,90566
10:30	-0,06345	0,00000	-0,90566
10:36	0,00000	0,00000	-0,83019
10:42	0,00000	0,00000	-0,83019
10:48	2,90110	0,00000	0,67925
10:54	3,01253	0,00000	0,52830
11:00	3,01253	0,00000	0,52830
11:06	2,87560	0,00000	0,52830
11:12	3,00023	0,00000	-0,52830
11:18	2,90110	0,00000	-0,45283
11:24	3,12420	0,00000	0,52830
11:30	3,12420	0,00000	0,52830
11:36	3,44560	0,00000	-0,45283
11:42	3,12420	0,00000	0,37736
11:48	0,06345	0,00000	-0,90566
11:54	0,12690	0,00000	-0,98113
12:00	0,12690	0,00000	-1,05660
12:06	0,06345	0,00000	-0,90566
12:12	0,06345	0,00000	-0,90566
12:18	0,00000	0,00000	-0,90566
12:24	0,00000	0,00000	-0,90566
12:30	0,00000	0,00000	-0,90566
12:36	0,00000	0,00000	-0,90566
12:42	0,00000	0,00000	-0,90566
12:48	0,00000	0,00000	-0,90566
12:54	0,06345	0,00000	-0,98113
13:00	0,00000	0,00000	-0,98113
13:06	0,06345	0,00000	-0,98113
13:12	0,06345	0,00000	-0,90566
13:18	0,06345	0,00000	-1,05660
13:24	0,00000	0,00000	-0,98113
13:30	0,00000	0,00000	-0,98113
13:36	0,00000	0,00000	-0,90566
13:42	-0,06345	0,00000	-0,90566
13:48	-0,06345	0,00000	-1,05660
13:54	-0,06345	0,00000	-0,90566
14:00	-0,06345	0,00000	-0,98113
14:06	-0,06345	0,00000	-0,90566
14:12	-0,06345	0,00000	-0,90566
14:18	-0,06345	0,00000	-0,90566
14:24	-0,06345	0,00000	-0,90566
14:30	0,00000	0,00000	-0,90566
14:36	0,06345	0,00000	-0,90566
14:42	0,00000	0,00000	-0,98113
14:48	0,06345	0,00000	-0,98113
14:54	0,06345	0,00000	-0,98113
15:00	0,06345	0,00000	-0,90566
15:06	0,06345	0,00000	-0,90566
15:12	0,06345	0,00000	-0,98113
15:18	0,00000	0,00000	-0,98113
15:24	0,00000	0,00000	-0,90566

Time (hh:mm)	DEP-1 Calculated Field, (V/m)	DEP-2 Calculated Field, (V/m)	DEP-3 Calculated Field, (V/m)
15:30	0,00000	0,00000	-0,98113
15:36	0,00000	0,00000	-0,90566
15:42	0,00000	0,00000	-0,98113
15:48	-0,06345	0,00000	-1,13210
15:54	-0,06345	0,00000	-1,13210
16:00	-0,06345	0,00000	-1,13210
16:06	-0,06345	0,00000	-1,13210
16:12	-0,06345	0,00000	-1,43400
16:18	-0,06345	0,00000	-1,20750
16:24	-0,06345	0,00000	-1,13210
16:30	-0,06345	0,00000	-1,20750
16:36	0,00000	0,00000	-1,58490
16:42	-0,06345	0,00000	-1,73580
16:48	-0,06345	0,00000	-1,20750
16:54	-0,06345	0,00000	-0,98113
17:00	-0,06345	0,00000	-0,98113
17:06	-0,06345	0,00000	-0,98113
17:12	-0,06345	0,00000	-0,90566
17:18	-0,06345	0,00000	-0,98113
17:24	-0,06345	0,00000	-0,98113
17:30	0,00000	0,00000	-0,98113
17:36	-0,67925	0,00000	-0,90566
17:42	-0,67925	0,00000	-0,90566
17:48	-0,75472	0,00000	-0,90566
17:54	-0,67925	0,00000	-0,90566
18:00	-0,75472	0,00000	-0,90566
18:06	-0,06345	0,00000	-0,98113
18:12	-0,06345	0,00000	-0,98113
18:18	-0,06345	0,00000	-0,98113
18:24	-0,06345	0,00000	-0,98113
18:30	-0,06345	0,00000	-0,98113
18:36	-0,06345	0,00000	-1,28300
18:42	-0,06345	0,00000	-1,20750
18:48	-0,06345	0,00000	-1,05660
18:54	0,00000	0,00000	-0,98113
19:00	0,00000	0,00000	-0,98113
19:06	0,00000	0,00000	-0,98113
19:12	-0,60377	0,00000	-0,90566
19:18	-0,06345	0,00000	-0,90566
19:24	-0,06345	0,00000	-0,83019
19:30	-0,06345	0,00000	-0,90566
19:36	-0,06345	0,00000	-0,90566
19:42	-0,06345	0,00000	-0,90566
19:48	-0,06345	0,00000	-0,90566
19:54	-0,45283	0,00000	-0,90566
20:00	-0,45283	0,00000	-1,58490
20:06	-0,06345	0,00000	-1,58490
20:12	-0,06345	0,00000	-1,58490
20:18	-0,06345	0,00000	-1,50940
20:24	-0,06345	0,00000	-1,58490
20:30	-0,06345	0,00000	-1,66040
20:36	-0,45283	0,00000	-1,66040
20:42	-0,45283	0,00000	-1,73580

Time (hh:mm)	DEP-1 Calculated Field, (V/m)	DEP-2 Calculated Field, (V/m)	DEP-3 Calculated Field, (V/m)
20:48	-0,52830	0,00000	-1,58490
20:54	-0,45283	0,00000	-1,66040
21:00	-0,45283	0,00000	-1,81130
21:06	-0,45283	0,00000	-1,73580
21:12	-0,45283	0,00000	-1,88680
21:18	-0,06345	0,00000	-1,73580
21:24	-0,06345	0,00000	-1,58490
21:30	-0,06345	0,00000	-1,66040
21:36	-0,06345	0,00000	-1,73580
21:42	-0,06345	0,00000	-1,81130
21:48	-0,06345	0,00000	-2,18870
21:54	-0,06345	0,00000	-2,11320
22:00	-0,06345	0,00000	-2,26420
22:06	0,00000	0,00000	-2,56600
22:12	0,00000	0,00000	-2,41510
22:18	0,00000	0,00000	-1,88680

Time (hh:mm)	DEP-1 Calculated Field, (V/m)	DEP-2 Calculated Field, (V/m)	DEP-3 Calculated Field, (V/m)
22:24	0,00000	0,00000	-1,88680
22:30	0,00000	0,00000	-2,11320
22:36	0,00000	0,00000	-2,11320
22:42	0,00000	0,00000	-2,33960
22:48	0,06345	0,00000	-2,41510
22:54	0,06345	0,00000	-2,41510
23:00	0,12690	0,00000	-2,49060
23:06	0,19036	0,00000	-2,41510
23:12	0,12690	0,00000	-2,41510
23:18	0,12690	0,00000	-2,33960
23:24	0,12690	0,00000	-2,33960
23:30	0,12690	0,00000	-2,26420
23:36	0,12690	0,00000	-2,03770
23:42	0,06345	0,00000	-2,03770
23:48	0,00000	0,00000	-2,18870
23:54	0,00000	0,00000	-2,26420

Annex 38. Information from DEP-sensors for 11/06/00

Time (hh:mm)	DEP-1 Calculated Field, (V/m)	DEP-2 Calculated Field, (V/m)	DEP-3 Calculated Field, (V/m)
0:00	0,00000	0,00000	-1,88680
0:06	0,00000	0,00000	-1,81130
0:12	0,00000	0,00000	-1,66040
0:18	0,00000	0,00000	-1,81130
0:24	0,00000	0,00000	-1,88680
0:30	0,00000	0,00000	-1,88680
0:36	0,06345	0,00000	-0,90566
0:42	0,06345	0,00000	-0,52830
0:48	0,06345	0,00000	-1,81130
0:54	0,06345	0,00000	-1,81130
1:00	-0,06345	0,00000	-1,88680
1:06	-0,06345	0,00000	-1,81130
1:12	0,06345	0,00000	-0,60377
1:18	0,06345	0,00000	-0,90566
1:24	0,06345	0,00000	-1,58490
1:30	0,06345	0,00000	-1,73580
1:36	0,00000	0,00000	-1,73580
1:42	0,00000	0,00000	-1,81130
1:48	0,00000	0,00000	-1,81130
1:54	-0,06345	0,00000	-1,81130
2:00	0,00000	0,00000	-1,81130
2:06	0,06345	0,00000	-1,81130
2:12	-0,06345	0,00000	-1,81130
2:18	-0,06345	0,00000	-1,81130
2:24	-0,06345	0,00000	-1,81130
2:30	0,00000	0,00000	-1,81130
2:36	-0,06345	0,00000	-1,81130
2:42	0,06345	0,00000	-1,81130
2:48	-0,06345	0,00000	-1,81130
2:54	-0,06345	0,00000	-1,81130
3:00	-0,06345	0,00000	-1,81130
3:06	-0,06345	0,00000	-1,73580
3:12	-0,06345	0,00000	-1,28300
3:18	-0,06345	0,00000	-1,20750
3:24	-0,06345	0,00000	-1,13210
3:30	-0,06345	0,00000	-1,05660
3:36	-0,06345	0,00000	-1,13210
3:42	-0,06345	0,00000	-1,20750
3:48	-0,06345	0,00000	-1,20750
3:54	-0,06345	0,00000	-1,20750
4:00	-0,06345	0,00000	-1,28300
4:06	-0,06345	0,00000	-0,75472
4:12	-0,06345	0,00000	-0,52830
4:18	0,00000	0,00000	-0,45283
4:24	-0,06345	0,00000	-0,45283
4:30	-0,06345	0,00000	-0,52830
4:36	0,00000	0,00000	-0,45283
4:42	-0,06345	0,00000	-0,45283
4:48	0,00000	0,00000	-0,52830
4:54	0,00000	0,00000	-0,52830
5:00	-0,06345	0,00000	-0,52830

Time (hh:mm)	DEP-1 Calculated Field, (V/m)	DEP-2 Calculated Field, (V/m)	DEP-3 Calculated Field, (V/m)
5:06	-0,06345	0,00000	-0,45283
5:12	-0,06345	0,00000	-0,45283
5:18	-0,06345	0,00000	-0,45283
5:24	-0,06345	0,00000	-0,45283
5:30	-0,06345	0,00000	-0,45283
5:36	-0,06345	0,00000	-0,45283
5:42	-0,06345	0,00000	-0,45283
5:48	-0,06345	0,00000	-0,52830
5:54	-0,06345	0,00000	-0,52830
6:00	-0,06345	0,00000	-0,52830
6:06	-0,06345	0,00000	-0,52830
6:12	-0,06345	0,00000	-0,52830
6:18	-0,06345	0,00000	-0,52830
6:24	-0,06345	0,00000	-0,52830
6:30	-0,06345	0,00000	-0,45283
6:36	-0,06345	0,00000	-0,52830
6:42	-0,06345	0,00000	-0,52830
6:48	-0,06345	0,00000	-0,52830
6:54	-0,06345	0,00000	-0,52830
7:00	-0,06345	0,00000	-0,52830
7:06	-0,06345	0,00000	-0,60377
7:12	-0,06345	0,00000	-0,60377
7:18	-0,06345	0,00000	-0,60377
7:24	0,06345	0,00000	-0,60377
7:30	0,00000	0,00000	-0,60377
7:36	0,06345	0,00000	-0,60377
7:42	0,06345	0,00000	-0,67925
7:48	0,06345	0,00000	-0,67925
7:54	0,00000	0,00000	-0,67925
8:00	0,00000	0,00000	-0,67925
8:06	0,00000	0,00000	-0,67925
8:12	-0,06345	0,00000	-0,67925
8:18	-0,06345	0,00000	-0,67925
8:24	-0,06345	0,00000	-0,75472
8:30	-0,06345	0,00000	-0,75472
8:36	-0,06345	0,00000	-0,75472
8:42	-0,06345	0,00000	-0,75472
8:48	-0,06345	0,00000	-0,83019
8:54	-0,06345	0,00000	-0,75472
9:00	-0,06345	0,00000	-0,83019
9:06	-0,06345	0,00000	-0,83019
9:12	0,00000	0,00000	-0,83019
9:18	-0,45283	0,00000	-0,83019
9:24	-0,45283	0,00000	-0,83019
9:30	-0,52830	0,00000	-0,83019
9:36	-0,45283	0,00000	-0,83019
9:42	-0,45283	0,00000	-0,83019
9:48	-0,45283	0,00000	-0,83019
9:54	-0,45283	0,00000	-0,83019
10:00	-0,52830	0,00000	-0,83019
10:06	-0,52830	0,00000	-0,83019

Time (hh:mm)	DEP-1 Calculated Field, (V/m)	DEP-2 Calculated Field, (V/m)	DEP-3 Calculated Field, (V/m)
10:12	-0,45283	0,00000	-0,75472
10:18	-0,45283	0,00000	-0,75472
10:24	-0,45283	0,00000	-0,75472
10:30	3,77360	0,00000	-0,75472
10:36	4,12440	0,00000	0,75472
10:42	2,90897	0,00000	0,60377
10:48	3,77360	0,00000	0,52830
10:54	3,56903	0,00000	0,45283
11:00	3,68770	0,00000	0,45283
11:06	4,12440	0,00000	0,45283
11:12	3,77360	0,00000	-0,45283
11:18	4,00011	0,00000	0,45283
11:24	4,12420	0,00000	-0,37736
11:30	3,56903	0,00000	-0,45283
11:36	0,45283	0,00000	-0,90566
11:42	0,45283	0,00000	-1,05660
11:51	0,06345	0,00000	-0,98113
11:57	0,45283	0,00000	-0,98113
12:03	0,45283	0,00000	-1,13210
12:09	0,06345	0,00000	-1,13210
12:15	0,06345	0,00000	-1,13210
12:21	0,00000	0,00000	-1,13210
12:27	0,00000	0,00000	-1,13210
12:33	0,00000	0,00000	-1,20750
12:39	0,06345	0,00000	-1,13210
12:45	0,45283	0,00000	-1,13210
12:51	0,45283	0,00000	-1,13210
12:57	0,45283	0,00000	-1,13210
13:03	0,45283	0,00000	-1,13210
13:09	0,45283	0,00000	-1,13210
13:15	0,45283	0,00000	-1,13210
13:21	0,00000	0,00000	-1,13210
13:27	0,06345	0,00000	-1,13210
13:33	0,00000	0,00000	-1,13210
13:39	0,06345	0,00000	-1,13210
13:45	0,06345	0,00000	-1,20750
13:51	0,06345	0,00000	-1,20750
13:57	0,00000	0,00000	-1,13210
14:03	0,00000	0,00000	-0,98113
14:09	0,00000	0,00000	-1,13210
14:15	0,00000	0,00000	-1,13210
14:21	0,00000	0,00000	-1,13210
14:27	-0,06345	0,00000	-1,13210
14:33	-0,06345	0,00000	-1,13210
14:39	-0,06345	0,00000	-1,13210
14:45	-0,06345	0,00000	-1,13210
14:51	-0,06345	0,00000	-0,98113
14:57	-0,06345	0,00000	-0,98113
15:03	-0,06345	0,00000	-1,13210
15:09	-0,06345	0,00000	-1,13210
15:15	-0,06345	0,00000	-1,13210
15:21	-0,06345	0,00000	-1,13210
15:27	-0,06345	0,00000	-1,13210

Time (hh:mm)	DEP-1 Calculated Field, (V/m)	DEP-2 Calculated Field, (V/m)	DEP-3 Calculated Field, (V/m)
15:33	-0,06345	0,00000	-1,20750
15:39	-0,06345	0,00000	-1,20750
15:45	-0,06345	0,00000	-1,20750
15:51	-0,06345	0,00000	-1,20750
15:57	-0,06345	0,00000	-1,20750
16:03	0,00000	0,00000	-1,20750
16:09	0,00000	0,00000	-1,20750
16:15	0,00000	0,00000	-1,20750
16:21	0,00000	0,00000	-1,20750
16:27	0,00000	0,00000	-1,13210
16:33	-0,67925	0,00000	-1,13210
16:39	-0,67925	0,00000	-1,13210
16:45	-0,06345	0,00000	-1,13210
16:51	-0,06345	0,00000	-1,13210
16:57	-0,06345	0,00000	-1,13210
17:03	-0,06345	0,00000	-1,13210
17:09	-0,06345	0,00000	-1,13210
17:15	-0,06345	0,00000	-1,13210
17:21	-0,06345	0,00000	-1,13210
17:27	-0,06345	0,00000	-1,13210
17:33	0,00000	0,00000	-1,13210
17:39	0,00000	0,00000	-1,13210
17:45	0,00000	0,00000	-1,13210
17:51	-0,60377	0,00000	-1,13210
17:57	-0,60377	0,00000	-1,13210
18:03	-0,06345	0,00000	-1,13210
18:09	-0,06345	0,00000	-1,13210
18:15	-0,06345	0,00000	-1,13210
18:21	-0,06345	0,00000	-1,13210
18:27	-0,06345	0,00000	-1,13210
18:33	-0,06345	0,00000	-1,20750
18:39	-0,06345	0,00000	-1,20750
18:45	-0,06345	0,00000	-1,20750
18:51	0,00000	0,00000	-1,20750
18:57	0,00000	0,00000	-1,20750
19:03	-0,06345	0,00000	-1,13210
19:09	-0,06345	0,00000	-1,13210
19:15	-0,06345	0,00000	-1,13210
19:21	-0,06345	0,00000	-1,13210
19:27	-0,06345	0,00000	-1,20750
19:33	-0,06345	0,00000	-1,20750
19:39	-0,06345	0,00000	-1,20750
19:45	-0,06345	0,00000	-1,20750
19:51	-0,06345	0,00000	-1,20750
19:57	-0,06345	0,00000	-1,20750
20:03	-0,06345	0,00000	-1,66040
20:09	-0,06345	0,00000	-1,58490
20:15	0,00000	0,00000	-1,58490
20:21	0,00000	0,00000	-1,58490
20:27	0,00000	0,00000	-1,58490
20:33	0,00000	0,00000	-1,66040
20:39	0,00000	0,00000	-1,58490
20:45	0,06345	0,00000	-1,58490

Time (hh:mm)	DEP-1 Calculated Field, (V/m)	DEP-2 Calculated Field, (V/m)	DEP-3 Calculated Field, (V/m)
20:51	0,06345	0,00000	-1,58490
20:57	0,06345	0,00000	-1,58490
21:03	0,00000	0,00000	-1,58490
21:09	0,06345	0,00000	-1,58490
21:15	0,06345	0,00000	-1,58490
21:21	0,06345	0,00000	-1,58490
21:27	0,00000	0,00000	-1,58490
21:33	0,45283	0,00000	-1,58490
21:39	0,45283	0,00000	-1,58490
21:45	0,45283	0,00000	-1,58490
21:51	-0,06345	0,00000	-1,58490
21:57	-0,06345	0,00000	-1,66040
22:03	-0,06345	0,00000	-1,58490
22:09	-0,06345	0,00000	-1,66040
22:15	-0,06345	0,00000	-1,66040
22:21	-0,06345	0,00000	-1,66040

Time (hh:mm)	DEP-1 Calculated Field, (V/m)	DEP-2 Calculated Field, (V/m)	DEP-3 Calculated Field, (V/m)
22:27	-0,06345	0,00000	-1,66040
22:33	-0,06345	0,00000	-1,73580
22:39	-0,06345	0,00000	-1,73580
22:45	-0,06345	0,00000	-1,81130
22:51	-0,06345	0,00000	-1,88680
22:57	-0,06345	0,00000	-1,81130
23:03	-0,06345	0,00000	-1,81130
23:09	-0,06345	0,00000	-1,81130
23:15	0,06345	0,00000	-1,81130
23:21	0,00000	0,00000	-1,73580
23:27	0,06345	0,00000	-1,58490
23:33	0,06345	0,00000	-1,66040
23:39	0,06345	0,00000	-1,66040
23:45	0,00000	0,00000	-1,66040
23:51	0,00000	0,00000	-1,58490
23:57	0,00000	0,00000	-1,58490

Annex 39. Information from DRT-sensors for 16/03/00

Time (hh:mm:ss)	DRT-1 Current, (μA)	DRT-2 Current, (μA)
14:05:53	0,000000	0,000000
14:06:57	0,000000	0,000000
14:08:02	0,009898	0,000000
14:09:06	0,009655	0,000000
14:10:10	0,000000	0,000000
14:11:14	0,000000	0,000000
14:12:18	0,000000	0,000000
14:13:22	0,009634	0,000000
14:14:26	0,009562	0,000000
14:15:30	0,009557	0,000000
14:16:34	0,000000	0,000000
14:17:39	0,000000	0,000000
14:18:43	0,000000	0,000000
14:19:47	0,009459	0,000000
14:20:51	0,009433	0,000000
14:21:55	0,000000	0,000000
14:22:59	0,000000	0,000000
14:24:03	0,000000	0,000000
14:25:07	0,009407	0,000000
14:26:11	0,009400	0,000000
14:27:15	0,009385	0,000000
14:28:20	0,000000	0,000000
14:29:23	0,000000	0,000000
14:30:27	0,000000	0,000000
14:31:31	0,009438	0,000000
14:32:35	0,009369	0,000000
14:33:39	0,000000	0,000000
14:34:43	0,000000	0,000000
14:35:47	0,000000	0,000000
14:36:51	0,009272	0,000000
14:37:55	0,009300	0,000000
14:39:00	0,009253	0,000000
14:40:04	0,000000	0,000000
14:41:08	0,000000	0,000000
14:42:12	0,000000	0,000000
14:43:16	0,009884	0,000000
14:44:20	0,009799	0,000000
14:45:24	0,000000	0,000000
14:46:28	0,000000	0,000000
14:47:32	0,000000	0,000000
14:48:36	0,009609	0,000000
14:49:41	0,009515	0,000000
14:50:45	0,009459	0,000000
14:51:49	0,000000	0,000000
14:52:52	0,000000	0,000000
14:53:57	0,000000	0,000000
14:55:00	0,000000	0,000000
14:56:04	0,000000	0,000000
14:57:08	0,000000	0,000000
14:58:12	0,000000	0,000000

Time (hh:mm:ss)	DRT-1 Current, (μA)	DRT-2 Current, (μA)
14:59:16	0,000000	0,000000
15:00:20	0,000000	0,000000
15:01:24	0,000000	0,000000
15:02:29	0,000000	0,000000
15:03:33	0,000000	0,000000
15:04:37	0,000000	0,000000
15:05:41	0,000000	0,000000
15:06:45	0,000000	0,000000
15:07:49	0,000000	0,000000
15:08:53	0,000000	0,000000
15:09:57	0,000000	0,000000
15:11:01	0,000000	0,000000
15:12:06	0,000000	0,000000
15:13:10	0,000000	0,000000
15:14:14	0,000000	0,000000
15:15:18	0,000000	0,000000
15:16:22	0,000000	0,000000
15:17:25	0,000000	0,000000
15:18:29	1,263702	0,000000
15:19:33	1,333040	0,000000
15:20:37	0,000000	0,000000
15:21:41	0,000000	0,000000
15:22:46	0,000000	0,000000
15:23:50	0,967416	0,000000
15:24:54	0,791946	0,000000
15:25:58	0,826444	0,000000
15:27:02	0,000000	0,000000
15:28:06	0,000000	0,000000
15:29:10	0,000000	0,000000
15:30:14	2,573287	0,000000
15:31:18	2,347337	0,000000
15:32:22	-0,686409	0,000000
15:33:26	0,000000	0,000000
15:34:30	0,000000	0,000000
15:35:35	2,199950	0,000000
15:36:39	1,770020	0,000000
15:37:43	1,335888	0,000000
15:39:51	0,000000	0,000000
15:40:55	0,000000	0,000000
15:41:59	0,000000	0,000000
15:43:02	0,000000	0,000000
15:44:06	0,000000	0,000000
15:45:10	0,000000	0,000000
15:46:15	0,000000	0,000000
15:47:19	0,000000	0,000000
15:48:23	0,000000	0,000000
15:49:27	0,000000	0,000000
15:50:31	0,000000	0,000000
15:51:35	0,000000	0,000000
15:56:56	0,000000	0,000000

Time (hh:mm:ss)	DRT-1 Current, (μA)	DRT-2 Current, (μA)
15:58:00	0,000000	0,000000
15:59:04	0,000000	0,000000
16:00:08	0,009480	0,000000
16:01:12	0,009408	0,000000
16:02:16	0,009391	0,000000
16:03:20	0,000000	0,000000
16:04:24	0,000000	0,000000
16:05:28	0,000000	0,000000
16:06:33	0,009407	0,000000
16:07:36	0,009391	0,000000
16:08:40	0,000000	0,000000
16:09:44	0,000000	0,000000
16:10:48	0,000000	0,000000
16:11:52	0,009369	0,000000
16:12:56	0,009349	0,000000
16:14:00	0,009323	0,000000
16:15:04	0,000000	0,000000
16:16:08	0,000000	0,000000
16:17:13	0,000000	0,000000
16:18:17	0,009415	0,000000
16:19:21	0,009337	0,000000
16:20:25	0,000000	0,000000
16:21:29	0,000000	0,000000
16:22:33	0,000000	0,000000
16:23:37	0,009373	0,000000
16:24:41	0,009297	0,000000
16:25:45	0,009314	0,000000
16:26:49	0,000000	0,000000
16:27:54	0,000000	0,000000
16:28:58	0,000000	0,000000
16:30:02	0,009720	0,000000
16:31:05	0,009686	0,000000
16:32:09	0,000000	0,000000
16:33:13	0,000000	0,000000
16:34:17	0,000000	0,000000
16:35:21	0,009531	0,000000
16:36:25	0,009486	0,000000
16:37:29	0,009484	0,000000
16:38:33	0,000000	0,000000
16:39:38	0,000000	0,000000
16:40:42	0,000000	0,000000
16:41:46	0,000000	0,000000
16:42:50	0,000000	0,000000
16:43:54	0,000000	0,000000
16:44:58	0,000000	0,000000
16:46:02	0,000000	0,000000
16:47:06	0,000000	0,000000
16:48:10	0,000000	0,000000
16:49:15	0,000000	0,000000
16:50:19	0,000000	0,000000
16:51:23	0,000000	0,000000
16:52:27	0,000000	0,000000

Time (hh:mm:ss)	DRT-1 Current, (μA)	DRT-2 Current, (μA)
16:53:31	0,000000	0,000000
16:54:35	0,000000	0,000000
16:55:38	0,000000	0,000000
16:56:42	0,000000	0,000000
16:57:46	0,000000	0,000000
16:58:50	0,000000	0,000000
16:59:54	0,000000	0,000000
17:00:58	0,000000	0,000000
17:02:02	0,000000	0,000000
17:03:07	0,000000	0,000000
17:04:11	0,000000	0,000000
17:05:15	0,683257	0,000000
17:06:19	0,812077	0,000000
17:07:23	0,000000	0,000000
17:08:27	0,000000	0,000000
17:09:31	0,000000	0,000000
17:10:35	0,804312	0,000000
17:11:39	0,842177	0,000000
17:12:44	0,828072	0,000000
17:13:48	0,000000	0,000000
17:14:52	0,000000	0,000000
17:15:56	0,000000	0,000000
17:17:00	1,890160	0,000000
17:18:04	1,765008	0,000000
17:19:07	-0,568901	0,000000
17:20:11	0,000000	0,000000
17:21:15	0,000000	0,000000
17:22:19	1,963921	0,000000
17:23:23	1,908987	0,000000
17:24:28	1,519891	0,000000
17:25:32	0,000000	0,000000
17:26:36	0,000000	0,000000
17:27:40	0,000000	0,000000
17:28:44	0,000000	0,000000
17:29:48	0,000000	0,000000
17:30:52	0,000000	0,000000
17:31:56	0,000000	0,000000
17:35:08	0,000000	0,000000
17:36:12	0,000000	0,000000
17:37:16	0,000000	0,000000
17:38:21	0,000000	0,000000
17:39:25	0,000000	0,000000
17:40:29	0,000000	0,000000
17:41:33	0,000000	0,000000
17:42:37	0,000000	0,000000
17:43:41	0,000000	0,000000
17:44:45	0,000000	0,000000
17:45:49	0,000000	0,000000

Annex 40. Information from DRT-sensors for 17/03/00

Time (hh:mm:ss)	DRT-1 Current, (μA)	DRT-2 Current, (μA)
2:58:49	0,000000	0,000000
2:59:53	0,000000	0,000000
3:00:57	0,009781	0,000000
3:02:01	0,009884	0,000000
3:03:05	0,009642	0,000000
3:04:09	0,009642	0,000000
3:05:13	0,009567	0,000000
3:06:18	0,009487	0,000000
3:07:22	0,009466	0,000000
3:08:26	0,009391	0,000000
3:09:30	0,009291	0,000000
3:10:34	0,009171	0,000000
3:11:38	0,009466	0,000000
3:12:42	0,009466	0,000000
3:13:46	0,008981	0,000000
3:14:50	0,009132	0,000000
3:15:54	0,009240	0,000000
3:16:58	0,009353	0,000000
3:18:03	0,009326	0,000000
3:19:06	0,009294	0,000000
3:20:10	0,009327	0,000000
3:21:14	0,009291	0,000000
3:22:18	0,009291	0,000000
3:23:22	0,009291	0,000000
3:24:26	0,009236	0,000000
3:25:30	0,009249	0,000000
3:26:34	0,009125	0,000000
3:27:38	0,009192	0,000000
3:28:43	0,009214	0,000000
3:29:47	0,009140	0,000000
3:30:51	0,009133	0,000000
3:31:55	0,009133	0,000000
3:32:59	0,009132	0,000000
3:34:03	0,009137	0,000000
3:35:07	0,009234	0,000000
3:36:11	0,009291	0,000000
3:37:15	0,009261	0,000000
3:38:19	0,009285	0,000000
3:39:24	0,009285	0,000000
3:40:28	0,009243	0,000000
3:41:32	0,009258	0,000000
3:42:36	0,009274	0,000000
3:43:39	0,009300	0,000000
3:44:43	0,009266	0,000000
3:45:47	0,009178	0,000000
3:46:51	0,009139	0,000000
3:47:55	0,009287	0,000000
3:48:59	0,009144	0,000000
3:50:04	0,009125	0,000000

Time (hh:mm:ss)	DRT-1 Current, (μA)	DRT-2 Current, (μA)
3:51:08	0,009150	0,000000
3:52:12	0,009098	0,000000
3:53:16	0,009150	0,000000
3:54:20	0,009185	0,000000
3:55:24	0,009172	0,000000
3:56:28	0,009065	0,000000
3:57:32	0,009134	0,000000
3:58:36	0,009143	0,000000
3:59:41	0,009170	0,000000
4:00:44	0,000000	0,000000
4:03:56	0,000000	0,000000
4:05:00	0,000000	0,000000
4:06:04	0,000000	0,000000
4:07:08	0,000000	0,000000
4:08:12	0,000000	0,000000
4:09:17	0,000000	0,000000
4:10:21	0,000000	0,000000
4:11:25	0,000000	0,000000
4:12:29	0,000000	0,000000
4:13:33	0,000000	0,000000
4:14:37	0,000000	0,000000
4:15:41	0,000000	0,000000
4:16:45	0,000000	0,000000
12:36:22	0,000000	0,000000
12:37:26	0,000000	0,000000
12:38:30	0,000000	0,000000
12:39:34	0,000000	0,000000
12:40:39	0,009563	0,000000
12:41:44	0,009623	0,000000
12:42:47	0,009615	0,000000
12:43:51	0,009616	0,000000
12:44:55	0,009618	0,000000
12:45:59	0,009603	0,000000
12:47:03	0,009605	0,000000
12:48:07	0,009557	0,000000
12:49:11	0,009539	0,000000
12:50:15	0,009556	0,000000
12:51:20	0,009610	0,000000
12:52:24	0,009588	0,000000
12:53:28	0,009610	0,000000
12:54:32	0,009611	0,000000
12:55:37	0,009540	0,000000
12:56:40	0,009588	0,000000
12:57:43	0,009588	0,000000
12:58:47	0,009583	0,000000
12:59:51	0,009583	0,000000
13:00:55	0,009583	0,000000
13:02:00	0,009584	0,000000

Time (hh:mm:ss)	DRT-1 Current, (μA)	DRT-2 Current, (μA)
13:03:04	0,009572	0,000000
13:04:08	0,009573	0,000000
13:05:12	0,009583	0,000000
13:06:16	0,009588	0,000000
13:10:32	0,009571	0,000000
13:11:36	0,009578	0,000000
13:12:41	0,009595	0,000000
13:13:45	0,009604	0,000000
13:14:49	0,009594	0,000000
13:15:53	0,009605	0,000000
13:16:57	0,009595	0,000000
13:18:01	0,009593	0,000000
13:19:04	0,009594	0,000000
13:20:08	0,009605	0,000000
13:21:12	0,009583	0,000000
13:22:16	0,009590	0,000000
13:23:21	0,009605	0,000000
13:24:26	0,009585	0,000000
13:25:29	0,009592	0,000000
13:26:33	0,009603	0,000000
13:27:37	0,009593	0,000000
13:28:41	0,009593	0,000000
13:29:45	0,009603	0,000000
13:30:49	0,009588	0,000000
13:31:53	0,009594	0,000000
13:32:58	0,009606	0,000000
13:34:02	0,009584	0,000000
13:35:06	0,009594	0,000000
13:36:10	0,009588	0,000000
13:37:14	0,009593	0,000000
13:38:19	0,009605	0,000000
13:39:22	0,009605	0,000000
13:40:26	0,009593	0,000000
13:41:30	0,009605	0,000000
13:42:34	0,009604	0,000000
13:43:37	0,009593	0,000000
13:44:41	0,009605	0,000000
13:45:45	0,009589	0,000000
13:46:50	0,009593	0,000000
13:47:54	0,009594	0,000000
13:48:58	0,009591	0,000000
13:50:02	0,009556	0,000000
13:51:06	0,009594	0,000000
13:52:10	0,009617	0,000000
13:53:14	0,009617	0,000000
13:54:18	0,009616	0,000000
13:55:22	0,009568	0,000000
13:56:27	0,009617	0,000000
13:57:31	0,009594	0,000000
13:58:38	0,009610	0,000000
13:59:39	0,009605	0,000000
14:00:44	0,009611	0,000000

Time (hh:mm:ss)	DRT-1 Current, (μA)	DRT-2 Current, (μA)
14:01:47	0,009610	0,000000
14:02:51	0,009624	0,000000
14:03:55	0,009612	0,000000
14:04:59	0,009572	0,000000
14:06:05	0,009588	0,000000
14:07:07	0,009630	0,000000
14:08:11	0,009625	0,000000
14:09:15	0,009610	0,000000
14:10:19	0,009618	0,000000
14:11:23	0,009630	0,000000
14:12:27	0,009628	0,000000
14:13:31	0,009624	0,000000
14:14:35	0,009630	0,000000
14:15:39	0,009568	0,000000
14:16:44	0,009606	0,000000
14:17:48	0,009618	0,000000
14:18:52	0,009652	0,000000
14:19:56	0,009610	0,000000
14:21:00	0,009639	0,000000
14:22:04	0,009520	0,000000
14:23:08	0,009656	0,000000
14:24:12	0,009672	0,000000
14:25:16	0,009639	0,000000
14:26:20	0,009617	0,000000
14:27:24	0,009656	0,000000
14:28:28	0,009625	0,000000
14:29:33	0,009634	0,000000
14:30:37	0,009578	0,000000
14:31:40	0,009638	0,000000
14:32:44	0,009588	0,000000
14:33:48	0,009629	0,000000
14:34:52	0,009651	0,000000
14:35:56	0,009624	0,000000
14:37:00	0,009676	0,000000
14:38:04	0,009534	0,000000
14:39:08	0,009672	0,000000
14:40:13	0,009573	0,000000
14:41:17	0,009657	0,000000
14:42:21	0,009651	0,000000
14:43:25	0,009648	0,000000
14:44:29	0,009633	0,000000
14:45:33	0,009639	0,000000
14:46:37	0,009654	0,000000
14:47:41	0,009640	0,000000
14:48:45	0,009578	0,000000
14:49:49	0,009587	0,000000
14:50:54	0,009568	0,000000
14:51:58	0,009556	0,000000
14:53:02	0,009605	0,000000
14:54:06	0,009605	0,000000
14:55:10	0,009461	0,000000
14:56:13	0,009480	0,000000

Time (hh:mm:ss)	DRT-1 Current, (μA)	DRT-2 Current, (μA)
14:57:17	0,009515	0,000000
14:58:21	0,009542	0,000000
14:59:25	0,009629	0,000000
15:00:29	0,009624	0,000000
15:01:34	0,009568	0,000000
15:02:38	0,009584	0,000000
15:03:42	0,009635	0,000000
15:04:46	0,009635	0,000000
15:05:50	0,009513	0,000000
15:06:54	0,009542	0,000000
15:07:58	0,009506	0,000000
15:09:02	0,009611	0,000000
15:10:06	0,009618	0,000000
15:11:11	0,009605	0,000000
15:12:14	0,009569	0,000000
15:13:19	0,009605	0,000000
15:14:23	0,009595	0,000000
15:15:27	0,009564	0,000000
15:16:31	0,009565	0,000000
15:17:35	0,009440	0,000000
15:18:39	0,009519	0,000000
15:19:42	0,009541	0,000000
15:20:47	0,009519	0,000000
15:21:50	0,009533	0,000000
15:22:54	0,009513	0,000000
15:23:58	0,009542	0,000000
15:25:03	0,008959	0,000000
15:26:07	0,009556	0,000000
15:27:11	0,009458	0,000000
19:10:19	0,009219	0,000000
19:11:23	0,009314	0,000000
19:12:27	0,009317	0,000000
19:13:31	0,009336	0,000000
19:14:35	0,009317	0,000000
19:15:39	0,009244	0,000000
19:16:43	0,009336	0,000000
19:17:47	0,009112	0,000000
19:18:51	0,009219	0,000000
19:19:55	0,009112	0,000000
19:20:59	0,009336	0,000000
19:22:03	0,009244	0,000000
19:23:07	0,009219	0,000000
19:24:11	0,009314	0,000000
19:25:15	0,009336	0,000000
19:26:19	0,009317	0,000000
19:27:23	0,009365	0,000000
19:28:28	0,009428	0,000000
19:29:31	0,009370	0,000000
19:30:36	0,009391	0,000000

Time (hh:mm:ss)	DRT-1 Current, (μA)	DRT-2 Current, (μA)
19:31:40	0,009170	0,000000
19:32:45	0,009013	0,000000
19:33:48	0,009115	0,000000
19:34:52	0,009112	0,000000
19:35:56	0,009170	0,000000
19:37:00	0,009154	0,000000
19:38:04	0,009427	0,000000
19:39:08	0,009365	0,000000
19:40:11	0,009428	0,000000
19:41:16	0,009406	0,000000
19:42:21	0,009372	0,000000
19:43:24	0,009370	0,000000
19:44:28	0,009391	0,000000
19:45:32	0,009358	0,000000
19:46:36	0,009369	0,000000
19:47:40	0,009335	0,000000
19:48:44	0,009336	0,000000
19:49:48	0,009331	0,000000
19:50:52	0,009331	0,000000
19:51:56	0,009238	0,000000
19:53:01	0,009330	0,000000
19:54:05	0,009342	0,000000
19:55:09	0,009323	0,000000
19:56:14	0,009340	0,000000
19:57:17	0,009256	0,000000
19:58:21	0,009313	0,000000
19:59:25	0,009313	0,000000
20:00:29	0,000000	0,000000
20:01:33	0,000000	0,000000
20:02:37	0,000000	0,000000
20:03:42	0,000000	0,000000
20:04:46	0,000000	0,000000
20:05:49	0,000000	0,000000
20:06:53	0,000000	0,000000
20:07:57	0,000000	0,000000
20:09:01	0,000000	0,000000
20:10:05	0,000000	0,000000
20:11:10	0,000000	0,000000
20:12:13	0,000000	0,000000
20:13:17	0,000000	0,000000
20:14:22	0,000000	0,000000
20:15:26	0,000000	0,000000
20:16:30	0,000000	0,000000
20:17:34	0,000000	0,000000
20:18:38	0,000000	0,000000
20:19:42	0,000000	0,000000

Annex 41. Information from DRT-sensors for 19/03/00

Time (hh:mm:ss)	DRT-1 Current, (μA)	DRT-2 Current, (μA)
17:47:20	0,000000	0,000000
17:48:24	0,000000	0,000000
17:49:28	0,000000	0,000000
17:50:32	0,000000	0,000000
17:51:36	0,000000	0,000000
17:52:40	0,000000	0,000000
17:53:44	0,000000	0,000000
17:54:48	0,000000	0,000000
17:55:53	0,000000	0,000000
17:58:01	0,000000	0,000000
17:59:05	0,000000	0,000000
18:00:09	0,009429	0,000000
18:01:13	0,009540	0,000000
18:02:17	0,009440	0,000000
18:03:21	0,009499	0,000000
18:04:25	0,009489	0,000000
18:05:28	0,009488	0,000000
18:06:32	0,009501	0,000000
18:07:37	0,009568	0,000000
18:08:41	0,009568	0,000000
18:09:45	0,009589	0,000000
18:10:49	0,009594	0,000000
18:11:53	0,009572	0,000000
18:12:57	0,009556	0,000000
18:14:01	0,009533	0,000000
18:15:05	0,009501	0,000000
18:16:09	0,009521	0,000000
18:17:13	0,009519	0,000000
18:18:17	0,009515	0,000000
18:19:22	0,009499	0,000000
18:20:26	0,009488	0,000000
18:21:30	0,009457	0,000000
18:22:34	0,009480	0,000000
18:23:38	0,009482	0,000000
18:24:42	0,009479	0,000000
18:25:46	0,009468	0,000000
18:26:50	0,009466	0,000000
18:27:54	0,009407	0,000000
18:28:59	0,009446	0,000000
18:30:02	0,009446	0,000000
18:35:22	0,009394	0,000000
18:36:26	0,009436	0,000000
18:37:30	0,009436	0,000000
18:38:35	0,009415	0,000000
18:39:38	0,009416	0,000000
18:40:43	0,009429	0,000000
18:41:47	0,009407	0,000000
18:42:51	0,009446	0,000000
18:43:55	0,009416	0,000000
18:44:59	0,009436	0,000000

Time (hh:mm:ss)	DRT-1 Current, (μA)	DRT-2 Current, (μA)
18:46:03	0,009446	0,000000
18:47:07	0,009407	0,000000
18:48:11	0,009416	0,000000
21:44:20	0,000000	0,000000
21:45:24	0,000000	0,000000
21:46:28	0,000000	0,000000
21:47:32	0,000000	0,000000
21:48:36	0,000000	0,000000
21:49:40	0,000000	0,000000
21:50:44	0,000000	0,000000
21:51:48	0,000000	0,000000
21:52:52	0,000000	0,000000
21:53:56	0,000000	0,000000
21:55:00	0,000000	0,000000
21:56:04	0,000000	0,000000
21:57:09	0,000000	0,000000
21:58:13	0,000000	0,000000
21:59:17	0,000000	0,000000
22:00:21	0,009480	0,000000
22:01:25	0,009529	0,000000
22:02:29	0,009430	0,000000
22:03:33	0,009430	0,000000
22:04:37	0,009428	0,000000
22:05:41	0,009428	0,000000
22:06:45	0,009441	0,000000
22:07:50	0,009441	0,000000
22:08:54	0,009532	0,000000
22:09:59	0,009539	0,000000
22:11:02	0,009533	0,000000
22:12:06	0,009485	0,000000
22:13:10	0,009534	0,000000
22:14:13	0,009500	0,000000
22:15:17	0,009514	0,000000
22:17:25	0,009486	0,000000
22:18:29	0,009443	0,000000
22:19:33	0,009478	0,000000
22:20:37	0,009468	0,000000
22:21:42	0,009469	0,000000
22:22:46	0,009453	0,000000
22:23:50	0,009455	0,000000
22:24:55	0,009416	0,000000
22:25:58	0,009445	0,000000
22:27:02	0,009435	0,000000
22:28:06	0,009459	0,000000
22:29:10	0,009408	0,000000
22:30:14	0,009408	0,000000

Annex 42. Information from DRT-sensors for 20/03/00

Time (hh:mm:ss)	DRT-1 Current, (μ A)	DRT-2 Current, (μ A)
1:11:26	0,009344	0,000000
1:12:31	0,009323	0,000000
1:13:35	0,009339	0,000000
1:14:39	0,009352	0,000000
1:15:43	0,009317	0,000000
1:16:47	0,009315	0,000000
1:17:51	0,009317	0,000000
1:18:55	0,009312	0,000000
1:19:59	0,009291	0,000000
1:21:03	0,009339	0,000000
1:22:08	0,009318	0,000000
1:23:11	0,009317	0,000000
1:24:15	0,009317	0,000000
1:25:19	0,009302	0,000000
1:26:23	0,009316	0,000000
1:27:27	0,009271	0,000000
1:28:31	0,009287	0,000000
1:29:35	0,009301	0,000000
1:30:39	0,009301	0,000000
1:31:43	0,009300	0,000000
1:32:48	0,009318	0,000000
1:33:52	0,009307	0,000000
1:34:56	0,009301	0,000000
1:36:00	0,009301	0,000000
1:37:04	0,009291	0,000000
1:38:08	0,009306	0,000000
1:39:12	0,009285	0,000000
1:40:16	0,000000	0,000000
1:41:20	0,000000	0,000000
1:42:24	0,000000	0,000000

Annex 43. Information from DRT-sensors for 12/04/00

Time (hh:mm:ss)	DRT-1 Current, (μA)	DRT-2 Current, (μA)
8:56:03	0,000000	0,000000
8:57:07	0,000000	0,000000
8:58:11	0,000000	0,000000
8:59:15	0,000000	0,000000
9:00:19	1,447665	0,000000
9:01:23	1,304541	0,000000
9:02:27	1,227159	0,000000
9:03:31	1,184789	0,000000
9:04:35	1,022943	0,000000
9:05:38	1,048060	0,000000
9:06:43	1,080161	0,000000
9:07:47	1,106360	0,000000
9:08:51	1,073232	0,000000
9:09:55	1,048135	0,000000
9:10:59	0,996567	0,000000
9:12:03	1,024195	0,000000
9:13:07	1,037738	0,000000
9:14:11	0,995777	0,000000
9:15:15	1,083426	0,000000
9:16:20	1,096207	0,000000
9:17:24	1,107337	0,000000
9:18:28	1,100052	0,000000
9:19:32	1,104411	0,000000
9:20:36	1,095250	0,000000
9:21:40	1,106360	0,000000
9:22:44	1,107826	0,000000
9:23:48	1,082491	0,000000
9:24:52	1,064131	0,000000
9:25:56	1,105385	0,000000
9:27:00	1,151051	0,000000
9:28:05	1,152639	0,000000
9:29:09	1,167131	0,000000
9:30:13	1,132336	0,000000
9:31:16	1,170948	0,000000
9:32:20	1,172043	0,000000
9:33:24	1,170948	0,000000
9:34:28	1,172043	0,000000
9:35:32	1,170401	0,000000
9:36:36	1,097646	0,000000
9:37:40	1,172592	0,000000
9:38:45	1,128768	0,000000
9:39:49	1,205309	0,000000
9:40:53	1,192117	0,000000
9:41:57	1,209383	0,000000
9:43:01	1,187597	0,000000
9:44:05	1,209967	0,000000
9:45:09	1,187597	0,000000
9:46:13	1,209383	0,000000
9:47:17	1,208799	0,000000

Time (hh:mm:ss)	DRT-1 Current, (μA)	DRT-2 Current, (μA)
9:48:22	1,205889	0,000000
9:49:26	1,203572	0,000000
9:50:29	1,212309	0,000000
9:51:34	1,212309	0,000000
9:52:38	1,209967	0,000000
9:53:41	1,186937	0,000000
9:54:46	1,210942	0,000000
9:55:49	1,208799	0,000000
9:56:53	1,207633	0,000000
9:57:57	1,230778	0,000000
9:59:01	1,213484	0,000000
10:00:05	1,234564	0,000000
10:01:09	1,254833	0,000000
10:02:14	1,255463	0,000000
10:03:18	1,235027	0,000000
10:04:22	1,212309	0,000000
10:05:26	1,213484	0,000000
10:06:30	1,209967	0,000000
10:07:34	1,257354	0,000000
10:08:38	1,257986	0,000000
10:09:42	1,250446	0,000000
10:11:54	1,268183	0,000000
10:13:05	1,250446	0,000000
10:15:09	1,280292	0,000000
10:18:23	1,277243	0,000000
10:21:37	1,268183	0,000000
10:23:41	1,244645	0,000000
10:25:54	1,305222	0,000000
10:29:00	1,274208	0,000000
10:30:10	1,277243	0,000000
10:32:14	1,268183	0,000000
10:34:27	1,277243	0,000000
10:36:31	1,268183	0,000000
10:39:45	1,295759	0,000000
10:42:59	1,305222	0,000000
10:47:07	1,298898	0,000000
10:48:18	1,314824	0,000000
10:50:21	1,274208	0,000000
10:54:38	1,311608	0,000000
10:56:51	1,286434	0,000000
10:58:54	1,274208	0,000000
11:02:09	0,000000	0,000000
11:05:23	0,000000	0,000000
11:07:27	0,000000	0,000000
11:09:40	0,000000	0,000000
11:11:53	0,000000	0,000000
11:14:06	0,000000	0,000000
11:16:19	0,000000	0,000000
11:18:32	0,000000	0,000000

Time (hh:mm:ss)	DRT-1 Current, (μA)	DRT-2 Current, (μA)
11:20:45	0,000000	0,000000
11:22:58	0,000000	0,000000
11:25:11	0,000000	0,000000
11:27:24	0,000000	0,000000
11:29:37	0,000000	0,000000
11:31:50	0,000000	0,000000

Time (hh:mm:ss)	DRT-1 Current, (μA)	DRT-2 Current, (μA)
11:34:03	0,000000	0,000000
11:36:16	0,000000	0,000000
11:38:29	0,000000	0,000000
11:40:42	0,000000	0,000000
11:42:55	0,000000	0,000000

Annex 44. Information from DRT-sensors for 13/04/00

Time (hh:mm:ss)	DRT-1 Current, (μA)	DRT-2 Current, (μA)
8:50:51	0,000000	0,000000
8:51:56	0,000000	0,000000
8:55:16	0,000000	0,000000
8:58:30	0,000000	0,000000
9:03:49	2,001002	0,000000
9:05:52	1,845367	0,000000
9:07:03	2,083031	0,000000
9:09:05	2,601571	0,000000
9:10:05	2,803234	0,000000
9:11:08	2,910135	0,000000
9:12:12	2,991450	0,000000
9:13:17	3,151137	0,000000
9:14:21	3,191656	0,000000
9:15:25	3,385410	0,000000
9:16:29	3,396911	0,000000
9:17:33	3,395077	0,000000
9:18:37	3,496331	0,000000
9:19:40	3,451524	0,000000
9:20:44	3,456147	0,000000
9:21:48	3,431055	0,000000
9:22:52	3,493869	0,000000
9:23:57	3,550119	0,000000
9:25:01	3,491411	0,000000
9:26:05	3,498797	0,000000
9:27:09	3,457352	0,000000
9:28:13	3,500031	0,000000
9:29:17	3,518647	0,000000
9:30:21	3,634651	0,000000
9:31:25	3,548849	0,000000
9:32:29	3,720525	0,000000
9:33:33	3,639985	0,000000
9:34:37	3,628006	0,000000
9:35:41	3,613715	0,000000
9:36:46	3,613471	0,000000
9:37:50	3,630661	0,000000
9:38:54	3,637316	0,000000
9:39:58	3,621385	0,000000
9:41:02	3,698333	0,000000
9:42:06	3,690079	0,000000
9:43:10	3,683280	0,000000
9:44:14	3,684597	0,000000
9:45:17	3,543780	0,000000
9:46:21	3,680445	0,000000
9:47:26	3,724716	0,000000
9:48:30	3,745813	0,000000

Time (hh:mm:ss)	DRT-1 Current, (μA)	DRT-2 Current, (μA)
9:49:34	3,800345	0,000000
9:50:38	3,750061	0,000000
9:51:42	3,789805	0,000000
9:52:46	3,822312	0,000000
9:53:50	3,975524	0,000000
9:54:54	3,826736	0,000000
9:55:58	3,847518	0,000000
9:57:02	3,817899	0,000000
9:58:07	3,975524	0,000000
9:59:11	3,903545	0,000000
10:00:15	3,822558	0,000000
10:01:19	3,851582	0,000000
10:02:23	4,015770	0,000000
10:03:27	4,090309	0,000000
10:04:31	3,878359	0,000000
10:05:45	4,061826	0,000000
10:07:49	3,941292	0,000000
10:10:02	4,132931	0,000000
10:12:06	3,855494	0,000000
10:14:18	4,132931	0,000000
10:16:22	3,970749	0,000000
10:19:37	4,061826	0,000000
10:21:40	4,140986	0,000000
10:22:51	3,862501	0,000000
10:27:07	4,108954	0,000000
10:29:11	3,970749	0,000000
10:34:29	4,000650	0,000000
10:40:58	4,061826	0,000000
10:43:02	3,912271	0,000000
10:45:15	4,015770	0,000000
10:47:19	3,970749	0,000000
10:49:31	3,926728	0,000000
10:52:33	3,747228	0,000000
10:53:37	4,023917	0,000000
10:54:42	4,014145	0,000000
10:55:45	4,071834	0,000000
10:56:49	3,970749	0,000000
10:57:53	4,019025	0,000000
10:58:58	3,847518	0,000000
11:00:02	0,000000	0,000000
...	0,000000	0,000000
11:21:33	0,000000	0,000000

Annex 45. Information from DRT-sensors for 15/04/00

Time (hh:mm:ss)	DRT-1 Current, (μA)	DRT-2 Current, (μA)
4:27:27	0,000000	0,000000
4:28:32	0,000000	0,000000
4:29:36	0,000000	0,000000
4:30:40	0,000000	0,000000
4:31:44	0,000000	0,000000
4:32:48	1,531073	0,000000
4:33:52	1,906795	0,000000
4:34:56	1,924471	0,000000
4:35:59	1,892040	0,000000
4:37:04	1,769299	0,000000
4:38:07	1,377840	0,000000
4:39:12	1,292413	0,000000
4:40:16	1,305222	0,000000
4:41:20	1,293749	0,000000
4:42:24	1,264340	0,000000
4:43:28	1,295759	0,000000
4:44:32	1,266258	0,000000
4:45:36	1,291746	0,000000
4:46:40	1,291746	0,000000
4:47:44	1,293749	0,000000
4:48:49	1,291080	0,000000
4:49:52	1,292413	0,000000
4:50:56	1,306585	0,000000
4:52:01	1,262427	0,000000
4:53:05	1,261791	0,000000
4:54:09	1,262427	0,000000
4:55:13	1,264979	0,000000
4:56:17	1,250446	0,000000
4:57:21	1,293081	0,000000
4:58:25	1,266899	0,000000
4:59:29	1,291252	0,000000
5:00:33	1,291746	0,000000
5:01:36	1,291746	0,000000
5:02:41	1,268183	0,000000
5:03:45	1,267541	0,000000
5:04:49	1,263702	0,000000
5:05:53	1,265618	0,000000
5:06:57	1,264979	0,000000
5:08:01	1,293749	0,000000
5:09:05	1,264340	0,000000
5:10:09	1,271404	0,000000
5:11:13	1,252949	0,000000
5:12:18	1,295089	0,000000
5:13:22	1,253577	0,000000
5:14:26	1,255463	0,000000
5:15:30	1,267541	0,000000
5:16:34	1,268826	0,000000
5:17:38	1,270114	0,000000
5:18:42	1,293081	0,000000
5:19:46	1,298449	0,000000

Time (hh:mm:ss)	DRT-1 Current, (μA)	DRT-2 Current, (μA)
5:20:50	1,268183	0,000000
5:21:54	1,297103	0,000000
5:22:59	1,305903	0,000000
5:24:02	1,267563	0,000000
5:25:07	1,292636	0,000000
5:26:10	1,267541	0,000000
5:27:14	1,264198	0,000000
5:28:18	1,264340	0,000000
5:29:22	1,271404	0,000000
5:30:26	1,253577	0,000000
5:31:30	1,255463	0,000000
5:32:34	1,255463	0,000000
5:33:38	1,267541	0,000000
5:34:42	1,253577	0,000000
5:35:46	1,255463	0,000000
5:36:50	1,264340	0,000000
5:37:54	1,271404	0,000000
5:38:58	1,267541	0,000000
5:40:02	1,267541	0,000000
5:41:06	1,268826	0,000000
5:42:10	1,253577	0,000000
5:43:14	1,255463	0,000000
5:44:18	1,267541	0,000000
5:45:22	1,267541	0,000000
5:46:26	1,268826	0,000000
5:47:30	1,264340	0,000000
5:48:34	1,271404	0,000000
5:49:38	1,267541	0,000000
5:50:42	1,268826	0,000000
5:51:46	1,253577	0,000000
5:52:50	1,255463	0,000000
5:53:54	1,267541	0,000000
5:54:58	1,253577	0,000000
5:56:02	1,255463	0,000000
5:57:06	1,264340	0,000000
5:58:10	1,271404	0,000000
5:59:14	1,267541	0,000000
6:00:18	1,268826	0,000000
6:01:22	1,270114	0,000000
6:02:26	1,293081	0,000000
6:03:30	1,253577	0,000000
6:04:34	1,255463	0,000000
6:05:38	1,268826	0,000000
6:06:42	1,253577	0,000000
6:07:46	1,255463	0,000000
6:08:50	1,264340	0,000000
6:09:54	1,271404	0,000000
6:10:58	0,000000	0,000000

Annex 46. Information from DRT-sensors for 16/04/00

Time (hh:mm:ss)	DRT-1 Current, (μA)	DRT-2 Current, (μA)
4:25:27	0,000000	0,000000
4:26:31	0,000000	0,000000
4:27:36	0,000000	0,000000
4:28:40	1,410092	0,000000
4:29:44	1,412084	0,000000
4:30:48	1,402372	0,000000
4:31:52	1,488194	0,000000
4:32:56	1,328086	0,000000
4:34:00	1,328792	0,000000
4:35:04	1,321073	0,000000
4:36:08	1,304541	0,000000
4:37:13	1,303182	0,000000
4:38:17	1,323169	0,000000
4:39:21	1,304541	0,000000
4:40:25	1,306585	0,000000
4:41:29	1,291746	0,000000
4:42:33	1,305903	0,000000
4:46:52	1,305222	0,000000
4:48:03	1,277243	0,000000
4:50:06	1,280292	0,000000
4:56:35	1,286434	0,000000
5:03:57	1,305222	0,000000
5:10:26	1,277243	0,000000
5:12:30	1,311608	0,000000
5:14:43	1,286434	0,000000
5:17:57	1,305222	0,000000
5:20:01	1,250446	0,000000

Time (hh:mm:ss)	DRT-1 Current, (μA)	DRT-2 Current, (μA)
5:22:14	1,305222	0,000000
5:25:20	1,262215	0,000000
5:26:30	1,277243	0,000000
5:32:50	1,305222	0,000000
5:34:54	1,292636	0,000000
5:38:09	1,292636	0,000000
5:40:21	1,295759	0,000000
5:45:40	1,295759	0,000000
5:47:43	1,305222	0,000000
5:48:54	1,305222	0,000000
5:53:10	1,268183	0,000000
5:55:14	1,305222	0,000000
6:00:33	1,292636	0,000000
6:01:43	1,259252	0,000000
6:03:47	1,268183	0,000000
6:06:00	1,314824	0,000000
6:09:05	1,292636	0,000000
6:10:16	1,295759	0,000000
6:16:36	1,295759	0,000000
6:19:51	1,268183	0,000000
6:21:55	1,311608	0,000000
6:24:07	1,295759	0,000000
6:26:11	1,324570	0,000000
6:28:24	0,000000	0,000000
6:30:28	0,000000	0,000000
6:33:42	0,000000	0,000000

Annex 47. Information from DRT-sensors for 17/04/00

Time (hh:mm:ss)	DRT-1 Current, (μA)	DRT-2 Current, (μA)
4:18:08	0,000000	0,000000
4:19:12	0,000000	0,000000
4:20:16	0,000000	0,000000
4:21:20	0,000000	0,000000
4:22:24	0,000000	0,000000
4:23:28	1,293081	0,000000
4:24:32	1,305903	0,000000
4:25:36	1,319679	0,000000
4:26:41	1,534576	0,000000
4:27:44	1,625806	0,000000
4:28:48	1,369539	0,000000
4:29:52	1,303861	0,000000
4:30:56	1,305222	0,000000
4:32:01	1,305222	0,000000
4:33:05	1,324570	0,000000
4:34:09	1,304541	0,000000
4:35:13	1,309320	0,000000
4:36:17	1,292413	0,000000
4:37:21	1,303182	0,000000
4:38:25	1,291746	0,000000
4:39:29	1,305903	0,000000
4:40:33	1,293081	0,000000
4:41:38	1,259886	0,000000
4:42:42	1,293081	0,000000
4:43:46	1,296431	0,000000
4:44:50	1,270114	0,000000
4:45:54	1,306585	0,000000
4:46:58	1,295089	0,000000
4:48:02	1,307951	0,000000
4:49:06	1,294716	0,000000
4:50:09	1,303908	0,000000
4:51:13	1,291746	0,000000
4:52:17	1,266899	0,000000
4:53:21	1,268183	0,000000
4:54:25	1,288421	0,000000
4:55:30	1,291080	0,000000
4:56:34	1,295759	0,000000
4:57:38	1,295089	0,000000
4:58:42	1,272050	0,000000
4:59:46	1,305903	0,000000
5:00:50	1,304541	0,000000
5:01:54	1,271404	0,000000
5:02:58	1,295089	0,000000
5:04:02	1,261155	0,000000
5:05:07	1,297103	0,000000
5:06:11	1,293081	0,000000
5:07:15	1,293081	0,000000
5:08:19	1,291746	0,000000
5:09:23	1,268826	0,000000

Time (hh:mm:ss)	DRT-1 Current, (μA)	DRT-2 Current, (μA)
5:10:27	1,305903	0,000000
5:11:31	1,271404	0,000000
5:12:35	1,292413	0,000000
5:13:38	1,274641	0,000000
5:14:44	1,294022	0,000000
5:15:47	1,309320	0,000000
5:16:51	1,294419	0,000000
5:17:55	1,294419	0,000000
5:18:59	1,270758	0,000000
5:20:03	1,295759	0,000000
5:21:07	1,296431	0,000000
5:22:11	1,295089	0,000000
5:23:15	1,295759	0,000000
5:24:19	1,293081	0,000000
5:25:24	1,295759	0,000000
5:26:28	1,268826	0,000000
5:27:32	1,291080	0,000000
5:28:36	1,296431	0,000000
5:29:40	1,307267	0,000000
5:30:44	1,267541	0,000000
5:31:48	1,295089	0,000000
5:32:52	1,270114	0,000000
5:33:56	1,292413	0,000000
5:35:00	1,270114	0,000000
5:36:04	1,297103	0,000000
5:37:08	1,297775	0,000000
5:38:11	1,292206	0,000000
5:39:16	1,268826	0,000000
5:40:20	1,269469	0,000000
5:41:24	1,295759	0,000000
5:42:28	1,293749	0,000000
5:43:32	1,290414	0,000000
5:44:36	1,297103	0,000000
5:45:40	1,295089	0,000000
5:46:44	1,295759	0,000000
5:47:48	1,268183	0,000000
5:48:53	1,293081	0,000000
5:49:57	1,292413	0,000000
5:51:01	1,308635	0,000000
5:52:05	1,292413	0,000000
5:53:09	1,324570	0,000000
5:54:13	1,303182	0,000000
5:55:17	1,297775	0,000000
5:56:21	1,305903	0,000000
5:57:25	1,297103	0,000000
5:58:30	1,295089	0,000000
5:59:34	1,293749	0,000000
6:00:38	1,295759	0,000000
6:01:41	1,296732	0,000000

Time (hh:mm:ss)	DRT-1 Current, (μA)	DRT-2 Current, (μA)
6:02:46	1,304541	0,000000
6:03:49	1,307267	0,000000
6:04:53	1,295089	0,000000
6:05:57	1,296431	0,000000
6:07:01	1,305222	0,000000
6:08:05	1,290414	0,000000
6:09:09	1,302504	0,000000
6:10:14	1,305903	0,000000
6:11:18	1,294419	0,000000
6:12:22	1,297103	0,000000
6:13:26	1,293081	0,000000

Time (hh:mm:ss)	DRT-1 Current, (μA)	DRT-2 Current, (μA)
6:14:30	1,305903	0,000000
6:15:34	1,297775	0,000000
6:16:38	1,307267	0,000000
6:17:42	1,325974	0,000000
6:18:46	1,295759	0,000000
6:19:51	1,305903	0,000000
6:20:55	1,266258	0,000000
6:21:59	1,305222	0,000000
6:23:03	1,307951	0,000000
6:24:07	0,000000	0,000000
6:27:22	0,000000	0,000000

Annex 48. Information from DRT-sensors for 28/04/00

Time (hh:mm:ss)	DRT-1 Current, (μ A)	DRT-2 Current, (μ A)
15:50:50	0,000000	0,000000
15:51:54	0,000000	0,000000
15:52:58	0,000000	0,000000
15:54:02	0,000000	0,000000
15:55:06	0,000000	0,000000
15:56:10	0,000000	0,000000
15:57:14	0,000000	0,000000
15:58:18	0,000000	0,000000
15:59:22	0,000000	0,000000
16:00:26	0,009609	0,000000
16:01:30	0,009515	0,000000
16:02:34	0,009459	0,000000
16:03:38	0,009486	0,000000
16:04:42	0,009484	0,000000
16:05:46	0,009481	0,000000
16:06:50	0,009467	0,000000
16:07:54	0,009483	0,000000
16:08:58	0,009480	0,000000
16:10:02	0,009480	0,000000
16:11:06	0,009481	0,000000
16:12:10	0,009480	0,000000
16:13:14	0,009479	0,000000
16:14:18	0,009500	0,000000
16:15:22	0,009487	0,000000
16:16:26	0,009459	0,000000
16:17:30	0,009486	0,000000
16:18:34	0,009484	0,000000
17:42:30	0,009561	0,000000
17:43:34	0,009606	0,000000
17:44:38	0,009615	0,000000
17:45:43	0,009603	0,000000
17:46:47	0,009603	0,000000
17:47:51	0,009596	0,000000
17:48:55	0,009586	0,000000
17:51:03	0,009541	0,000000
17:52:07	0,009590	0,000000
17:53:11	0,009596	0,000000
17:54:15	0,009606	0,000000
17:55:20	0,009551	0,000000
17:56:24	0,009595	0,000000
17:57:28	0,009557	0,000000
17:58:32	0,009615	0,000000
17:59:36	0,009560	0,000000
18:00:40	0,009590	0,000000
18:01:44	0,009561	0,000000
18:02:48	0,009605	0,000000
18:03:52	0,009542	0,000000
18:04:55	0,009551	0,000000

Time (hh:mm:ss)	DRT-1 Current, (μ A)	DRT-2 Current, (μ A)
18:05:59	0,009595	0,000000
18:07:04	0,009596	0,000000
18:08:08	0,009595	0,000000
18:09:12	0,009550	0,000000

Annex 49. Information from DRT-sensors for 29/04/00

Time (hh:mm:ss)	DRT-1 Current, (μA)	DRT-2 Current, (μA)
4:03:50	0,009589	0,000000
4:09:11	0,009542	0,000000
4:10:15	0,009542	0,000000
4:11:19	0,009566	0,000000
4:12:23	0,009594	0,000000
4:13:27	0,009531	0,000000
4:14:31	0,009558	0,000000
4:15:35	0,009541	0,000000
4:16:39	0,009556	0,000000
4:17:42	0,009558	0,000000
4:18:47	0,009539	0,000000
4:19:51	0,009592	0,000000
4:20:55	0,009590	0,000000
4:21:59	0,009540	0,000000
4:23:03	0,009540	0,000000
4:24:07	0,009578	0,000000
4:25:11	0,009584	0,000000
4:26:15	0,009590	0,000000
4:27:19	0,009593	0,000000
4:28:23	0,009594	0,000000
4:29:28	0,009539	0,000000
4:30:31	0,009598	0,000000
4:31:36	0,009541	0,000000
4:32:40	0,009588	0,000000
4:33:44	0,009588	0,000000
4:34:48	0,009533	0,000000
4:35:52	0,009542	0,000000
4:36:56	0,009543	0,000000
4:38:00	0,009584	0,000000
4:39:04	0,009542	0,000000
4:40:08	0,009559	0,000000
4:41:11	0,009557	0,000000
4:42:16	0,009534	0,000000
4:43:20	0,009568	0,000000
4:44:24	0,009535	0,000000
4:45:28	0,009589	0,000000
4:46:32	0,009585	0,000000
4:47:36	0,009556	0,000000
4:48:40	0,009574	0,000000
4:49:44	0,009556	0,000000
4:50:48	0,009556	0,000000
4:51:53	0,009541	0,000000
4:52:57	0,009540	0,000000
4:54:01	0,009561	0,000000
4:57:19	0,009590	0,000000
5:01:36	0,009541	0,000000
5:03:48	0,009558	0,000000
5:09:07	0,009578	0,000000
5:11:10	0,009541	0,000000

Time (hh:mm:ss)	DRT-1 Current, (μA)	DRT-2 Current, (μA)
5:12:21	0,009572	0,000000
5:17:30	0,009574	0,000000
5:18:34	0,009574	0,000000
5:19:39	0,009570	0,000000
5:20:42	0,009575	0,000000
5:21:47	0,009566	0,000000
5:22:50	0,009568	0,000000
5:23:54	0,009534	0,000000
5:24:58	0,009621	0,000000
5:26:02	0,009574	0,000000
5:27:06	0,009521	0,000000
5:28:10	0,009566	0,000000
5:29:14	0,009533	0,000000
5:30:18	0,009516	0,000000
14:20:54	0,009690	0,000000
14:21:58	0,009566	0,000000
14:23:02	0,009533	0,000000
14:24:06	0,009690	0,000000
14:25:10	0,009625	0,000000
14:26:14	0,009566	0,000000
14:27:18	0,009533	0,000000
14:28:22	0,009661	0,000000
14:29:26	0,009690	0,000000
14:30:30	0,009690	0,000000
14:31:34	0,009661	0,000000
14:32:38	0,009669	0,000000
14:33:42	0,009670	0,000000
14:34:46	0,009708	0,000000
14:35:50	0,009708	0,000000
14:36:55	0,009661	0,000000
14:37:58	0,009690	0,000000
14:39:02	0,009662	0,000000
14:40:06	0,009635	0,000000
14:41:09	0,009625	0,000000
14:42:14	0,009691	0,000000
14:43:18	0,009635	0,000000
14:44:22	0,009672	0,000000
14:45:26	0,009636	0,000000
14:46:30	0,009633	0,000000
14:47:34	0,009689	0,000000
14:54:02	0,009646	0,000000
14:55:13	0,009684	0,000000
14:57:17	0,009662	0,000000
14:59:21	0,009684	0,000000

Annex 50. Information from DRT-sensors for 30/04/00

Time (hh:mm:ss)	DRT-1 Current, (μ A)	DRT-2 Current, (μ A)
3:30:53	0,009464	0,000000
3:31:57	0,009443	0,000000
3:33:01	0,009499	0,000000
3:34:05	0,009465	0,000000
3:35:09	0,009481	0,000000
3:36:13	0,009467	0,000000
3:37:17	0,009483	0,000000
3:38:21	0,009480	0,000000
3:39:25	0,009480	0,000000
3:40:30	0,009481	0,000000
3:41:34	0,009480	0,000000
3:42:38	0,009479	0,000000
3:43:42	0,009500	0,000000
3:44:46	0,009487	0,000000
3:45:50	0,009518	0,000000
3:46:54	0,009459	0,000000
3:47:58	0,009464	0,000000
3:49:01	0,009514	0,000000
3:50:05	0,009466	0,000000
3:51:10	0,009505	0,000000
3:52:14	0,009521	0,000000
3:53:18	0,009469	0,000000
3:54:22	0,009485	0,000000
3:55:26	0,009506	0,000000
3:56:30	0,009485	0,000000
3:57:34	0,009514	0,000000
3:58:38	0,009505	0,000000
3:59:42	0,009505	0,000000
4:00:47	0,000000	0,000000
4:01:51	0,000000	0,000000
4:02:54	0,000000	0,000000
4:03:59	0,000000	0,000000
4:05:03	0,000000	0,000000
4:06:07	0,000000	0,000000
4:07:11	0,000000	0,000000
4:08:15	0,000000	0,000000
4:09:19	0,000000	0,000000

Annex 51. Information from DRT-sensors for 04/05/00

Time (hh:mm:ss)	DRT-1 Current, (μ A)	DRT-2 Current, (μ A)
12:00:40	0,000000	0,000000
12:01:44	0,000000	0,000000
12:02:48	0,000000	0,000000
12:03:52	0,000000	0,000000
12:04:56	1,302504	0,000000
12:06:00	1,314824	0,000000
12:07:04	1,643474	0,000000
12:08:08	1,330205	0,000000
12:09:12	1,402576	0,000000
12:10:16	1,580005	0,000000
12:11:20	1,356170	0,000000
12:13:29	1,302504	0,000000
12:14:33	1,301826	0,000000
12:15:37	1,301826	0,000000
12:16:41	1,283136	0,000000
12:17:45	1,300473	0,000000
12:18:49	1,281822	0,000000
12:19:52	0,000000	0,000000
12:20:57	0,000000	0,000000
12:22:00	0,000000	0,000000
12:23:05	0,000000	0,000000
12:24:09	0,000000	0,000000
...	0,000000	0,000000
13:11:05	0,000000	0,000000
14:01:18	0,000000	0,000000
14:02:22	0,000000	0,000000
14:03:26	0,000000	0,000000
14:04:30	0,000000	0,000000
14:05:34	1,283794	0,000000
14:06:39	1,627396	0,000000
14:07:43	1,283794	0,000000
14:08:47	1,328086	0,000000
14:09:50	1,435194	0,000000
14:10:54	1,264340	0,000000
14:11:58	1,253577	0,000000
14:13:02	1,250446	0,000000
14:14:06	1,259886	0,000000
14:15:10	1,302504	0,000000
14:16:14	1,278548	0,000000
14:17:18	1,280510	0,000000
14:18:22	1,278548	0,000000
14:19:26	1,262427	0,000000
14:20:30	0,000000	0,000000
14:21:34	0,000000	0,000000
14:22:38	0,000000	0,000000
14:23:42	0,000000	0,000000
14:24:46	0,000000	0,000000

Time (hh:mm:ss)	DRT-1 Current, (μ A)	DRT-2 Current, (μ A)
14:25:50	0,000000	0,000000
14:26:54	0,000000	0,000000
14:27:58	0,000000	0,000000
14:29:02	0,000000	0,000000
16:02:06	0,000000	0,000000
...	0,000000	0,000000
16:09:28	0,000000	0,000000
16:12:42	1,221970	0,000000
16:16:59	1,163699	0,000000
16:19:11	1,168764	0,000000
16:25:31	0,000000	0,000000
16:32:01	0,000000	0,000000
17:53:02	0,000000	0,000000
...	0,000000	0,000000
18:02:45	0,000000	0,000000
18:11:09	1,256303	0,000000
18:13:22	1,250446	0,000000
18:16:36	1,216431	0,000000
18:18:40	1,227560	0,000000
18:20:53	1,216431	0,000000
18:23:59	1,221970	0,000000
18:25:09	1,224759	0,000000
18:28:15	0,000000	0,000000
18:30:27	0,000000	0,000000
20:07:29	0,000000	0,000000
20:08:32	0,000000	0,000000
20:09:36	0,000000	0,000000
20:10:41	1,224160	0,000000
20:11:44	1,519429	0,000000
20:12:48	1,242380	0,000000
20:13:52	1,304541	0,000000
20:14:56	1,372546	0,000000
20:16:00	1,219986	0,000000
20:17:04	1,217022	0,000000
20:18:08	1,225358	0,000000
20:19:13	1,227159	0,000000
20:20:17	1,239919	0,000000
20:21:21	1,212309	0,000000
20:22:25	1,226558	0,000000
20:23:29	1,226558	0,000000
20:24:34	1,227761	0,000000
20:25:37	0,000000	0,000000
20:27:55	0,000000	0,000000
20:32:11	0,000000	0,000000

Time (hh:mm:ss)	DRT-1 Current, (μ A)	DRT-2 Current, (μ A)
22:05:58	0,000000	0,000000
22:07:02	0,000000	0,000000
22:08:06	0,000000	0,000000
22:09:10	0,000000	0,000000
22:10:14	1,181437	0,000000
22:11:18	1,302504	0,000000
22:12:23	1,289872	0,000000
22:13:27	1,303861	0,000000
22:14:31	1,396309	0,000000
22:15:35	1,303861	0,000000
22:16:39	1,258619	0,000000

Time (hh:mm:ss)	DRT-1 Current, (μ A)	DRT-2 Current, (μ A)
22:17:44	1,259252	0,000000
22:18:47	1,234418	0,000000
22:19:51	1,261791	0,000000
22:20:55	1,260520	0,000000
22:21:59	1,259580	0,000000
22:23:02	1,234418	0,000000
22:24:07	1,267541	0,000000
22:25:11	0,000000	0,000000
22:26:15	0,000000	0,000000
22:27:19	0,000000	0,000000
22:28:23	0,000000	0,000000

Annex 52. Information from DRT-sensors for 05/05/00

Time (hh:mm:ss)	DRT-1 Current, (μA)	DRT-2 Current, (μA)
0:05:32	0,000000	0,000000
0:06:36	0,000000	0,000000
0:07:40	0,000000	0,000000
0:08:44	0,000000	0,000000
0:09:48	1,263064	0,000000
0:10:52	1,303861	0,000000
0:11:56	1,567110	0,000000
0:13:00	1,263064	0,000000
0:14:05	1,395529	0,000000
0:15:09	1,472840	0,000000
0:16:13	1,263064	0,000000
0:17:17	1,284453	0,000000
0:18:21	1,287096	0,000000
0:19:25	1,286434	0,000000
0:20:29	1,261155	0,000000
0:21:33	1,265618	0,000000
0:22:37	1,235636	0,000000
0:23:41	1,285113	0,000000
0:24:45	0,000000	0,000000
0:25:49	0,000000	0,000000
0:26:53	0,000000	0,000000
0:27:57	0,000000	0,000000
2:05:07	0,000000	0,000000
2:06:11	0,000000	0,000000
2:07:15	0,000000	0,000000
2:08:19	0,000000	0,000000
2:09:23	0,000000	0,000000
2:10:27	1,330205	0,000000
2:11:31	1,705263	0,000000
2:12:35	1,331884	0,000000
2:13:38	1,301149	0,000000
2:14:42	1,459504	0,000000
2:15:46	1,257354	0,000000
2:16:50	1,256723	0,000000
2:17:55	1,225358	0,000000
2:18:59	1,258619	0,000000
2:20:03	1,256723	0,000000
2:21:07	1,264979	0,000000
2:22:11	1,266899	0,000000
2:23:15	1,264979	0,000000
2:24:19	1,261791	0,000000
2:25:23	0,000000	0,000000
2:26:27	0,000000	0,000000
2:27:31	0,000000	0,000000
2:28:36	0,000000	0,000000
4:03:37	0,000000	0,000000
4:04:40	0,000000	0,000000

Time (hh:mm:ss)	DRT-1 Current, (μA)	DRT-2 Current, (μA)
4:05:44	0,000000	0,000000
4:06:48	0,000000	0,000000
4:07:52	0,000000	0,000000
4:08:56	0,000000	0,000000
4:10:00	0,888192	0,000000
4:11:04	1,335175	0,000000
4:12:08	1,321073	0,000000
4:13:12	1,295089	0,000000
4:14:17	1,401004	0,000000
4:15:21	1,338748	0,000000
4:16:25	1,259886	0,000000
4:17:29	1,292413	0,000000
4:18:33	1,264340	0,000000
4:19:37	1,267541	0,000000
4:20:41	1,267541	0,000000
4:21:45	1,261155	0,000000
4:22:49	1,261791	0,000000
4:23:54	1,258619	0,000000
4:24:58	0,000000	0,000000
4:26:02	0,000000	0,000000
4:27:06	0,000000	0,000000
4:34:34	0,000000	0,000000
4:35:38	0,000000	0,000000
4:36:42	0,000000	0,000000
6:06:23	0,000000	0,000000
6:07:26	0,000000	0,000000
6:08:30	0,000000	0,000000
6:09:34	0,000000	0,000000
6:10:38	1,223562	0,000000
6:11:42	1,189288	0,000000
6:12:46	1,244851	0,000000
6:13:51	1,260520	0,000000
6:14:56	1,342340	0,000000
6:15:59	1,299123	0,000000
6:17:03	1,065486	0,000000
6:18:07	1,224160	0,000000
6:19:11	1,263064	0,000000
6:20:15	1,225958	0,000000
6:21:19	1,246710	0,000000
6:22:23	1,246710	0,000000
6:23:27	1,257986	0,000000
6:24:32	1,259886	0,000000
6:25:36	0,000000	0,000000
6:26:40	0,000000	0,000000
6:27:44	0,000000	0,000000
6:28:49	0,000000	0,000000
6:29:52	0,000000	0,000000
6:30:55	0,000000	0,000000

Time (hh:mm:ss)	DRT-1 Current, (μA)	DRT-2 Current, (μA)
8:04:52	0,000000	0,000000
8:05:56	0,000000	0,000000
8:07:00	0,000000	0,000000
8:08:04	0,000000	0,000000
8:09:08	0,000000	0,000000
8:10:13	1,113234	0,000000
8:11:17	1,153700	0,000000
8:12:21	1,115214	0,000000
8:13:25	1,166588	0,000000
8:14:29	1,228966	0,000000
8:15:33	1,170948	0,000000
8:16:37	1,012634	0,000000
8:17:41	1,096207	0,000000
8:18:45	1,223562	0,000000
8:19:49	1,219986	0,000000
8:20:54	1,221771	0,000000
8:21:59	1,249822	0,000000
8:23:02	1,225404	0,000000
8:24:06	1,228966	0,000000
8:25:09	0,000000	0,000000
8:26:13	0,000000	0,000000
8:27:17	0,000000	0,000000
8:28:21	0,000000	0,000000
8:29:25	0,000000	0,000000
8:30:29	0,000000	0,000000
10:05:31	0,000000	0,000000
10:06:35	0,000000	0,000000
10:07:39	0,000000	0,000000
10:08:43	0,000000	0,000000
10:09:47	1,228363	0,000000
10:10:51	1,282479	0,000000
10:11:55	1,475449	0,000000
10:12:59	1,228363	0,000000
10:14:03	1,279855	0,000000
10:15:07	1,424559	0,000000
10:16:12	1,249822	0,000000
10:17:14	1,223315	0,000000
10:18:18	1,205309	0,000000
10:19:23	1,229569	0,000000
10:20:27	1,249822	0,000000
10:21:31	1,228363	0,000000
10:22:35	1,220580	0,000000
10:23:39	1,200687	0,000000
10:24:43	0,000000	0,000000
10:25:47	0,000000	0,000000
10:26:51	0,000000	0,000000
10:27:55	0,000000	0,000000
10:29:00	0,000000	0,000000
10:30:05	0,000000	0,000000

Time (hh:mm:ss)	DRT-1 Current, (μA)	DRT-2 Current, (μA)
12:10:25	0,000000	0,000000
12:11:29	0,000000	0,000000
12:12:32	0,000000	0,000000
12:13:36	0,000000	0,000000
12:14:40	0,000000	0,000000
12:15:45	5,111196	0,000000
12:16:49	5,515284	0,000000
12:17:53	5,596306	0,000000
12:18:57	5,521433	0,000000
12:20:01	5,015463	0,000000
12:21:05	4,376023	0,000000
12:22:09	3,393298	0,000000
12:23:13	3,479170	0,000000
12:24:17	3,699712	0,000000
12:25:22	3,801802	0,000000
12:26:26	3,762863	0,000000
12:27:30	3,754318	0,000000
12:28:34	3,765932	0,000000
12:29:38	3,707547	0,000000
12:30:42	0,000000	0,000000
12:31:46	0,000000	0,000000
12:32:50	0,000000	0,000000
12:33:54	0,000000	0,000000
12:34:58	0,000000	0,000000
12:36:02	0,000000	0,000000
12:37:05	0,000000	0,000000
14:12:06	0,000000	0,000000
14:13:10	0,000000	0,000000
14:14:14	0,000000	0,000000
14:15:18	3,526149	0,000000
14:16:23	5,213404	0,000000
14:17:27	5,211271	0,000000
14:18:31	4,977668	0,000000
14:19:35	4,466207	0,000000
14:20:39	3,726115	0,000000
14:21:43	2,514709	0,000000
14:22:47	2,490772	0,000000
14:23:51	3,272673	0,000000
14:24:55	3,570559	0,000000
14:26:00	3,701092	0,000000
14:27:04	3,654735	0,000000
14:28:08	3,702474	0,000000
14:29:12	3,646675	0,000000
14:30:16	0,000000	0,000000
14:31:20	0,000000	0,000000
14:32:24	0,000000	0,000000
14:33:28	0,000000	0,000000
14:34:32	0,000000	0,000000
14:35:35	0,000000	0,000000
16:10:37	0,000000	0,000000

Time (hh:mm:ss)	DRT-1 Current, (μA)	DRT-2 Current, (μA)
16:11:41	0,000000	0,000000
16:12:45	0,000000	0,000000
16:13:49	0,000000	0,000000
16:14:53	4,894076	0,000000
16:15:57	5,023091	0,000000
16:17:01	4,894076	0,000000
16:18:05	4,552359	0,000000
16:19:09	3,727774	0,000000
16:20:14	2,331930	0,000000
16:21:18	2,188342	0,000000
16:22:22	2,188342	0,000000
16:23:26	2,976575	0,000000
16:24:30	3,279159	0,000000
16:25:33	3,473352	0,000000
16:26:37	3,441764	0,000000
16:27:41	3,513663	0,000000
16:28:45	3,435806	0,000000
16:29:49	0,000000	0,000000
16:30:53	0,000000	0,000000
16:31:57	0,000000	0,000000
16:33:01	0,000000	0,000000
16:34:07	0,000000	0,000000
16:35:10	0,000000	0,000000
18:10:11	0,000000	0,000000
18:11:14	0,000000	0,000000
18:12:19	0,000000	0,000000
18:13:24	0,000000	0,000000
18:14:27	0,000000	0,000000
18:15:31	3,641321	0,000000
18:16:35	4,896494	0,000000
18:17:39	4,980169	0,000000
18:18:43	4,641907	0,000000
18:19:47	3,983508	0,000000
18:20:51	2,550838	0,000000
18:21:56	2,219575	0,000000
18:23:00	2,233522	0,000000
18:24:04	2,382189	0,000000
18:25:07	3,267287	0,000000
18:26:11	3,390035	0,000000
18:27:15	3,521931	0,000000
18:28:20	3,551390	0,000000
18:29:23	3,501266	0,000000
18:30:27	0,000000	0,000000
18:31:31	0,000000	0,000000
18:32:36	0,000000	0,000000
18:33:40	0,000000	0,000000

Time (hh:mm:ss)	DRT-1 Current, (μA)	DRT-2 Current, (μA)
18:34:44	0,000000	0,000000
18:35:48	0,000000	0,000000
20:10:49	0,000000	0,000000
20:11:53	0,000000	0,000000
20:12:57	0,000000	0,000000
20:14:01	0,000000	0,000000
20:15:04	1,863352	0,000000
20:16:09	4,452165	0,000000
20:17:12	4,858085	0,000000
20:18:17	4,652803	0,000000
20:19:21	4,158934	0,000000
20:20:25	3,154140	0,000000
20:21:30	2,229519	0,000000
20:22:33	2,280616	0,000000
20:23:37	2,329746	0,000000
20:24:41	3,029061	0,000000
20:25:45	3,311982	0,000000
20:26:49	3,486504	0,000000
20:27:53	3,630661	0,000000
20:28:58	3,511177	0,000000
20:30:02	0,000000	0,000000
20:31:06	0,000000	0,000000
22:12:31	0,000000	0,000000
22:13:34	0,000000	0,000000
22:14:38	0,000000	0,000000
22:15:43	3,475514	0,000000
22:16:47	4,654988	0,000000
22:17:51	4,813250	0,000000
22:18:55	4,391028	0,000000
22:21:03	2,313493	0,000000
22:22:07	2,342914	0,000000
22:23:11	2,414573	0,000000
22:24:15	2,960441	0,000000
22:25:20	3,299871	0,000000
22:26:24	3,516153	0,000000
22:27:28	3,523228	0,000000
22:28:33	3,569275	0,000000
22:29:36	3,630661	0,000000
22:30:40	0,000000	0,000000
22:31:44	0,000000	0,000000
22:32:48	0,000000	0,000000

Annex 53. Information from DRT-sensors for 06/05/00

Time (hh:mm:ss)	DRT-1 Current, (μA)	DRT-2 Current, (μA)
0:11:01	0,000000	0,000000
0:12:05	0,000000	0,000000
0:13:09	0,000000	0,000000
0:14:13	0,000000	0,000000
0:15:17	3,758533	0,000000
0:16:21	4,108954	0,000000
0:17:25	4,672545	0,000000
0:18:29	4,551043	0,000000
0:19:33	4,033738	0,000000
0:20:37	2,856730	0,000000
0:21:41	2,458747	0,000000
0:22:46	2,445446	0,000000
0:23:50	2,704939	0,000000
0:24:54	2,704939	0,000000
0:25:58	3,565427	0,000000
0:27:02	3,694201	0,000000
0:28:06	3,705239	0,000000
0:29:10	3,650949	0,000000
0:30:13	0,000000	0,000000
0:31:16	0,000000	0,000000
0:32:19	0,000000	0,000000
0:33:22	0,000000	0,000000
0:35:28	0,000000	0,000000
0:36:31	0,000000	0,000000
2:10:35	0,000000	0,000000
2:11:39	0,000000	0,000000
2:12:43	0,000000	0,000000
2:13:47	0,000000	0,000000
2:14:51	3,147142	0,000000
2:15:56	4,259119	0,000000
2:17:00	4,540233	0,000000
2:18:04	4,080895	0,000000
2:19:08	3,523645	0,000000
2:20:11	2,458747	0,000000
2:21:15	2,456318	0,000000
2:22:19	2,786868	0,000000
2:23:23	3,294395	0,000000
2:24:27	3,387721	0,000000
2:25:31	3,520635	0,000000
2:26:36	3,635687	0,000000
2:27:40	3,561588	0,000000
2:28:44	3,569275	0,000000
2:29:48	0,000000	0,000000
2:30:52	0,000000	0,000000
2:35:08	0,000000	0,000000
2:36:13	0,000000	0,000000
4:10:09	0,000000	0,000000

Time (hh:mm:ss)	DRT-1 Current, (μA)	DRT-2 Current, (μA)
4:11:13	0,000000	0,000000
4:12:17	0,000000	0,000000
4:13:21	0,000000	0,000000
4:14:25	0,000000	0,000000
4:15:29	3,490183	0,000000
4:16:34	3,481611	0,000000
4:17:38	4,316462	0,000000
4:18:42	4,112362	0,000000
4:19:46	3,734531	0,000000
4:20:50	2,816892	0,000000
4:21:54	2,350335	0,000000
4:22:57	2,579411	0,000000
4:24:01	3,116049	0,000000
4:25:05	3,416879	0,000000
4:26:09	3,484056	0,000000
4:27:13	3,482833	0,000000
4:28:17	3,439378	0,000000
4:29:22	3,527403	0,000000
4:30:26	0,000000	0,000000
4:31:30	0,000000	0,000000
4:32:35	0,000000	0,000000
4:33:38	0,000000	0,000000
4:34:42	0,000000	0,000000
4:35:46	0,000000	0,000000
6:10:47	0,000000	0,000000
6:11:52	0,000000	0,000000
6:12:56	0,000000	0,000000
6:13:59	0,000000	0,000000
6:15:03	0,000000	0,000000
6:16:07	0,000000	0,000000
6:17:11	0,000000	0,000000
6:18:15	0,000000	0,000000
6:19:19	0,000000	0,000000
6:20:23	3,184490	0,000000
6:21:27	4,080895	0,000000
6:22:31	4,259119	0,000000
6:23:35	3,425134	0,000000
6:24:39	3,184490	0,000000
6:25:44	3,223382	0,000000
6:26:49	2,325139	0,000000
6:28:56	2,991450	0,000000
6:30:00	3,184490	0,000000
6:31:04	3,286759	0,000000
6:32:08	3,425134	0,000000
6:33:12	3,393513	0,000000
6:34:17	3,327526	0,000000
6:35:21	0,000000	0,000000

Time (hh:mm:ss)	DRT-1 Current, (μA)	DRT-2 Current, (μA)
8:15:41	0,000000	0,000000
8:16:45	0,000000	0,000000
8:17:49	0,000000	0,000000
8:18:53	0,000000	0,000000
8:19:57	3,214391	0,000000
8:21:01	3,398160	0,000000
8:22:05	3,973931	0,000000
8:23:09	3,750061	0,000000
8:24:14	3,543780	0,000000
8:25:18	2,339608	0,000000
8:26:22	2,435863	0,000000
8:27:26	2,799431	0,000000
8:28:30	3,162177	0,000000
8:29:34	3,231130	0,000000
8:30:38	3,342092	0,000000
8:31:42	3,399324	0,000000
8:32:46	3,293302	0,000000
8:33:51	3,432241	0,000000
8:34:55	0,000000	0,000000
10:15:15	0,000000	0,000000
10:16:19	0,000000	0,000000
10:17:23	0,000000	0,000000
10:18:28	0,000000	0,000000
10:19:32	0,000000	0,000000
10:20:36	3,278076	0,000000
10:21:40	2,975650	0,000000
10:22:44	3,726115	0,000000
10:23:48	3,832651	0,000000
10:24:52	3,657430	0,000000
10:25:56	3,273752	0,000000
10:27:00	2,385617	0,000000
10:28:04	2,644483	0,000000
10:29:07	3,128302	0,000000
10:30:11	3,274832	0,000000
10:31:16	3,237452	0,000000
10:32:20	3,395835	0,000000
10:33:24	3,371609	0,000000
10:34:28	3,442958	0,000000
10:35:32	0,000000	0,000000
10:36:36	0,000000	0,000000
10:37:40	0,000000	0,000000
10:38:44	0,000000	0,000000
10:39:48	0,000000	0,000000
10:40:52	0,000000	0,000000
10:41:56	0,000000	0,000000
10:42:00	0,000000	0,000000
10:43:04	0,000000	0,000000
15:15:14	0,000000	0,000000
15:16:18	0,000000	0,000000
15:17:22	0,000000	0,000000

Time (hh:mm:ss)	DRT-1 Current, (μA)	DRT-2 Current, (μA)
15:18:26	0,000000	0,000000
15:19:30	0,000000	0,000000
15:20:36	1,389562	0,000000
15:21:38	1,345228	0,000000
15:22:42	1,300473	0,000000
15:23:46	1,327381	0,000000
15:24:51	1,404152	0,000000
15:25:55	1,687382	0,000000
15:26:59	1,278548	0,000000
15:28:03	1,280510	0,000000
15:29:07	1,300473	0,000000
15:30:11	1,301149	0,000000
15:31:15	1,283136	0,000000
15:32:19	1,314134	0,000000
15:33:23	1,311378	0,000000
15:34:28	1,301149	0,000000
15:35:32	0,000000	0,000000
15:36:35	0,000000	0,000000
15:37:39	0,000000	0,000000
15:38:43	0,000000	0,000000
15:39:47	0,000000	0,000000
15:40:51	0,000000	0,000000
21:15:01	0,000000	0,000000
21:16:04	0,000000	0,000000
21:17:09	0,000000	0,000000
21:18:13	0,000000	0,000000
21:19:17	0,000000	0,000000
21:20:21	1,323869	0,000000
21:21:25	1,402576	0,000000
21:22:29	1,644558	0,000000
21:23:32	1,395529	0,000000
21:24:36	1,412084	0,000000
21:25:40	1,616329	0,000000
21:26:44	1,335175	0,000000
21:27:48	1,323869	0,000000
21:28:54	1,305222	0,000000
21:29:57	1,304541	0,000000
21:31:01	1,365799	0,000000
21:32:05	1,323169	0,000000
21:33:09	1,324570	0,000000
21:34:13	1,369539	0,000000
21:35:17	0,000000	0,000000
21:36:21	0,000000	0,000000
21:37:25	0,000000	0,000000
21:38:30	0,000000	0,000000
21:39:34	0,000000	0,000000
21:40:38	0,000000	0,000000

Annex 54. Information from DRT-sensors for 07/05/00

Time (hh:mm:ss)	DRT-1 Current, (μ A)	DRT-2 Current, (μ A)
3:10:30	0,000000	0,000000
3:11:34	0,000000	0,000000
3:12:38	0,000000	0,000000
3:13:42	0,000000	0,000000
3:14:46	0,000000	0,000000
3:15:50	0,000000	0,000000
3:16:54	0,000000	0,000000
3:17:58	0,000000	0,000000
3:19:03	0,000000	0,000000
3:20:07	1,740977	0,000000
3:21:11	1,420914	0,000000
3:22:15	1,741585	0,000000
3:23:19	1,397870	0,000000
3:24:23	1,399929	0,000000
3:25:27	1,566619	0,000000
3:26:31	1,366545	0,000000
3:27:35	1,321073	0,000000
3:28:40	1,320376	0,000000
3:29:44	1,333751	0,000000
3:30:48	1,317594	0,000000
3:31:52	1,331621	0,000000
3:32:56	1,321193	0,000000
3:33:59	1,328086	0,000000
3:35:03	0,000000	0,000000
3:36:07	0,000000	0,000000
3:37:11	0,000000	0,000000

Time (hh:mm:ss)	DRT-1 Current, (μ A)	DRT-2 Current, (μ A)
3:38:15	0,000000	0,000000
3:39:19	0,000000	0,000000
9:19:53	0,000000	0,000000
9:20:57	0,000000	0,000000
9:22:01	0,000000	0,000000
9:23:05	0,000000	0,000000
9:24:09	0,000000	0,000000
9:25:13	1,263064	0,000000
9:26:17	1,310691	0,000000
9:27:21	1,675482	0,000000
9:28:25	1,302504	0,000000
9:29:30	1,328086	0,000000
9:30:34	1,434370	0,000000
9:31:38	1,386243	0,000000
9:32:42	1,274641	0,000000
9:33:46	1,259886	0,000000
9:34:50	1,298449	0,000000
9:35:54	1,263064	0,000000
9:36:58	1,261791	0,000000
9:38:01	1,296431	0,000000
9:39:05	1,278548	0,000000
9:40:09	0,000000	0,000000
9:41:14	0,000000	0,000000

Annex 55. Information from DRT-sensors for 08/05/00

Time (hh:mm:ss)	DRT-1 Current, (μA)	DRT-2 Current, (μA)
13:00:00	0,000000	0,000000
.....	0,000000	0,000000
13:59:43	0,000000	0,000000
14:00:47	0,009731	0,000000
14:01:51	0,009496	0,000000
14:02:56	0,009394	0,000000
14:04:00	0,009384	0,000000
14:05:04	0,009378	0,000000
14:06:08	0,009419	0,000000
14:07:12	0,009395	0,000000
14:08:16	0,009416	0,000000
14:09:20	0,009426	0,000000
14:10:23	0,009415	0,000000
14:11:27	0,009425	0,000000
14:12:31	0,009410	0,000000
14:13:36	0,009418	0,000000
14:14:40	0,009426	0,000000
14:15:44	0,009407	0,000000
14:16:49	0,009433	0,000000
14:17:52	0,009443	0,000000
14:18:56	0,009477	0,000000
14:20:00	0,009478	0,000000
14:21:04	0,009459	0,000000
14:22:08	0,009462	0,000000
14:23:12	0,009473	0,000000
14:24:16	0,009461	0,000000
14:25:20	0,009459	0,000000
14:26:25	0,009459	0,000000
14:27:29	0,009451	0,000000
14:28:33	0,009476	0,000000
14:29:37	0,009471	0,000000
14:30:42	0,009457	0,000000
14:31:45	0,009458	0,000000
14:32:49	0,009499	0,000000
14:33:52	0,009459	0,000000
14:34:56	0,009454	0,000000
14:36:00	0,009476	0,000000
14:37:05	0,009461	0,000000
14:38:09	0,009445	0,000000
14:39:13	0,009472	0,000000
14:40:17	0,009472	0,000000
14:41:21	0,009455	0,000000
14:42:25	0,009459	0,000000
14:43:29	0,009445	0,000000
14:44:33	0,009460	0,000000
14:45:38	0,009486	0,000000
14:46:42	0,009471	0,000000
14:47:46	0,009485	0,000000
14:48:50	0,009458	0,000000

Time (hh:mm:ss)	DRT-1 Current, (μA)	DRT-2 Current, (μA)
14:49:54	0,009458	0,000000
14:50:58	0,009427	0,000000
14:52:02	0,009486	0,000000
14:53:06	0,009525	0,000000
14:54:10	0,009476	0,000000
14:55:14	0,009457	0,000000
14:56:19	0,009473	0,000000
14:57:23	0,009460	0,000000
14:58:26	0,009545	0,000000
15:42:13	0,009426	0,000000
15:43:16	0,009420	0,000000
15:44:20	0,009432	0,000000
15:45:24	0,009431	0,000000
15:46:28	0,009417	0,000000
15:47:32	0,009419	0,000000
15:48:36	0,009418	0,000000
15:49:41	0,009419	0,000000
15:50:45	0,009419	0,000000
15:51:49	0,009425	0,000000
15:52:53	0,009434	0,000000
15:53:57	0,009417	0,000000
15:55:01	0,009385	0,000000
15:56:06	0,009427	0,000000
15:57:09	0,009420	0,000000
15:58:13	0,009418	0,000000
15:59:18	0,009427	0,000000
16:00:21	0,009407	0,000000
16:01:26	0,009418	0,000000
16:02:30	0,009408	0,000000
16:03:34	0,009419	0,000000
16:04:37	0,009410	0,000000
16:05:41	0,009426	0,000000
16:06:45	0,009377	0,000000
16:07:49	0,009393	0,000000
16:08:53	0,009427	0,000000
16:09:57	0,009420	0,000000
16:11:02	0,009431	0,000000
16:12:06	0,009418	0,000000
16:13:10	0,009460	0,000000
16:14:14	0,009408	0,000000
16:15:18	0,009407	0,000000
16:16:22	0,009371	0,000000
16:17:26	0,009419	0,000000
16:18:30	0,009393	0,000000
16:19:34	0,009395	0,000000
16:20:38	0,009393	0,000000

Annex 56. Information from DRT-sensors for 09/05/00

Time (hh:mm:ss)	DRT-1 Current, (μ A)	DRT-2 Current, (μ A)
9:50:03	0,009393	0,000000
9:51:07	0,009395	0,000000
9:52:11	0,009407	0,000000
9:53:15	0,009371	0,000000
9:54:19	0,009329	0,000000
9:55:23	0,009369	0,000000
9:56:27	0,009377	0,000000
9:57:31	0,009393	0,000000
9:58:35	0,009394	0,000000
9:59:39	0,009384	0,000000
10:00:43	0,009394	0,000000
10:01:47	0,009395	0,000000
10:02:51	0,009407	0,000000
10:03:55	0,009329	0,000000
10:04:59	0,009369	0,000000
10:06:07	0,009329	0,000000
10:07:12	0,009394	0,000000
10:08:17	0,009373	0,000000
10:09:22	0,000000	0,000000
.....	0,000000	0,000000
12:15:31	0,000000	0,000000

Annex 57. Information from DRT-sensors for 11/05/00

Time (hh:mm:ss)	DRT-1 Current, (μA)	DRT-2 Current, (μA)
8:03:00	0,000000	0,000000
.....	0,000000	0,000000
8:25:59	0,000000	0,000000
8:27:03	0,000000	0,000000
8:28:07	0,000000	0,000000
8:29:11	0,000000	0,000000
8:30:15	0,009455	0,000000
8:31:19	0,009392	0,000000
8:32:24	0,009408	0,000000
8:33:28	0,009441	0,000000
8:34:32	0,009427	0,000000
8:35:36	0,009392	0,000000
8:36:40	0,009415	0,000000
8:37:44	0,009371	0,000000
8:38:48	0,009372	0,000000
8:39:52	0,009449	0,000000
8:40:56	0,009430	0,000000
8:42:00	0,009377	0,000000
8:43:04	0,009393	0,000000
8:44:08	0,009418	0,000000
8:45:13	0,009377	0,000000
8:46:17	0,009419	0,000000
8:47:20	0,009429	0,000000
8:48:24	0,009419	0,000000
8:49:28	0,009429	0,000000
8:50:32	0,009417	0,000000
8:51:36	0,009418	0,000000
8:52:40	0,009409	0,000000
8:53:44	0,009420	0,000000
8:54:48	0,009417	0,000000
8:55:53	0,009427	0,000000
8:56:57	0,009407	0,000000
8:58:01	0,009417	0,000000
8:59:05	0,009397	0,000000
9:00:09	0,009417	0,000000
9:01:13	0,009427	0,000000
9:02:17	0,009417	0,000000
11:24:16	0,009384	0,000000
11:25:20	0,009378	0,000000
11:26:24	0,009378	0,000000
11:27:28	0,009385	0,000000
11:28:32	0,009387	0,000000
11:29:36	0,009364	0,000000
11:30:40	0,009477	0,000000
11:31:44	0,009373	0,000000
11:32:48	0,009397	0,000000
11:33:52	0,009379	0,000000
11:34:56	0,009487	0,000000

Time (hh:mm:ss)	DRT-1 Current, (μA)	DRT-2 Current, (μA)
11:36:01	0,009477	0,000000
11:48:49	0,009395	0,000000
11:49:53	0,009384	0,000000
11:50:57	0,009378	0,000000
11:52:01	0,009378	0,000000
11:53:05	0,009373	0,000000
11:54:10	0,009378	0,000000
11:55:14	0,009365	0,000000
11:56:18	0,009388	0,000000
11:57:22	0,009396	0,000000
11:58:26	0,009385	0,000000
11:59:31	0,009387	0,000000
12:00:34	0,009364	0,000000
12:01:38	0,009378	0,000000
12:02:42	0,009407	0,000000
12:03:47	0,009378	0,000000
12:04:51	0,009526	0,000000
12:05:55	0,009373	0,000000
12:06:59	0,009385	0,000000
12:08:02	0,009384	0,000000
12:09:06	0,009365	0,000000
12:10:10	0,009378	0,000000
12:11:14	0,009385	0,000000
12:12:18	0,009407	0,000000
12:13:22	0,009378	0,000000
12:14:26	0,009385	0,000000
12:15:30	0,009387	0,000000
12:16:34	0,009385	0,000000
12:17:38	0,009378	0,000000
12:18:42	0,009407	0,000000
12:19:46	0,009385	0,000000
12:20:50	0,009387	0,000000
12:21:54	0,009378	0,000000
12:22:58	0,009385	0,000000
15:10:35	0,009413	0,000000
15:11:39	0,009435	0,000000
15:12:43	0,009429	0,000000
15:13:47	0,009411	0,000000
15:14:51	0,009413	0,000000
15:15:55	0,009420	0,000000
15:17:00	0,009428	0,000000
15:18:05	0,009409	0,000000
15:19:08	0,009378	0,000000
15:20:12	0,009373	0,000000
15:21:16	0,009386	0,000000
15:22:20	0,009427	0,000000
15:23:24	0,009411	0,000000
15:24:28	0,009384	0,000000

Time (hh:mm:ss)	DRT-1 Current, (μ A)	DRT-2 Current, (μ A)
15:25:32	0,009388	0,000000
15:26:37	0,009406	0,000000
15:27:41	0,009410	0,000000
15:28:44	0,009387	0,000000
15:29:49	0,009387	0,000000
15:30:52	0,009397	0,000000
15:31:56	0,009380	0,000000
15:33:00	0,009408	0,000000

Time (hh:mm:ss)	DRT-1 Current, (μ A)	DRT-2 Current, (μ A)
15:34:04	0,009410	0,000000
15:35:08	0,009436	0,000000
15:36:12	0,009397	0,000000
15:37:17	0,009432	0,000000
15:38:21	0,009386	0,000000
15:39:25	0,009384	0,000000
15:40:29	0,009410	0,000000

REPORT DOCUMENTATION PAGE

Form Approved
OMB No. 0704-0188

Public reporting burden for this collection of information is estimated to average 1 hour per response, including the time for reviewing instructions, searching existing data sources, gathering and maintaining the data needed, and completing and reviewing the collection of information. Send comments regarding this burden estimate or any other aspect of this collection of information, including suggestions for reducing this burden, to Washington Headquarters Services, Directorate for Information Operations and Reports, 1215 Jefferson Davis Highway, Suite 1204, Arlington, VA 22202-4302, and to the Office of Management and Budget, Paperwork Reduction Project (0704-0188), Washington, DC 20503.

1. AGENCY USE ONLY <i>(Leave blank)</i>		2. REPORT DATE June 2003	3. REPORT TYPE AND DATES COVERED Final Contractor Report	
4. TITLE AND SUBTITLE Hall Effect Thruster Interactions Data From the Russian Express-A2 and Express-A3 Satellites Acquire TM-Data for Type B Sensors for "Express-A" Number 2 Satellite for the Period of March 12, 2000 to and Including June 15, 2000, Task 25			5. FUNDING NUMBERS WBS-22-800-91-01 NAS3-99151 NAS3-99204	
6. AUTHOR(S) N. Sitnikova, D. Volkov, I. Maximov, V. Petrushevich, and D. Allen				
7. PERFORMING ORGANIZATION NAME(S) AND ADDRESS(ES) Nauchno-Proizvodstvennoe Obiedinenie Prikladnoi Mekhaniki (NPO PM) 52 Lenin Street, Zheleznogorsk-2 Krasnoyarsk region, 662990, Russia			8. PERFORMING ORGANIZATION REPORT NUMBER E-13691-2	
9. SPONSORING/MONITORING AGENCY NAME(S) AND ADDRESS(ES) National Aeronautics and Space Administration Washington, DC 20546-0001			10. SPONSORING/MONITORING AGENCY REPORT NUMBER NASA CR-2003-212005-PART2	
11. SUPPLEMENTARY NOTES N. Sitnikova, D. Volkov, I. Maximov, and V. Petrushevich, Nauchno-Proizvodstvennoe Obiedinenie Prikladnoi (NPO PM) 52 Lenin Street, Zheleznogorsk-2, Mekhaniki, Krasnoyarsk region, 662990, Russia. D. Allen, Schafer Corporation, 321 Billerica Road, Chelmsford, Massachusetts 01824-4191. Project Manager, John Dunning, Power and Propulsion Office, NASA Glenn Research Center, organization code 6900, 216-433-5298.				
12a. DISTRIBUTION/AVAILABILITY STATEMENT Unclassified - Unlimited Subject Category: 20 Available electronically at http://gltrs.grc.nasa.gov This publication is available from the NASA Center for AeroSpace Information, 301-621-0390.			12b. DISTRIBUTION CODE	
13. ABSTRACT <i>(Maximum 200 words)</i> This 12-part report documents the data obtained from various sensor measurements taken aboard the Russian Express-A2 and Express-A3 spacecraft in Geosynchronous Earth Orbit (GEO). These GEO communications satellites, which were designed and built by NPO Prikladnoy Mekhaniki (NPO PM) of Zheleznogorsk, Russia, utilize Hall thruster propulsion systems for north-south and east-west stationkeeping and as of June 2002, were still operating at 80° E. and 11° W., respectively. Express-A2 was launched on March 12, 2000, while Express-A3 was launched on June 24, 2000. The diagnostic equipment from which these data were taken includes electric field strength sensors, ion current and energy sensors, and pressure sensors. The diagnostics and the Hall thruster propulsion systems are described in detail along with lists of tabular data from those diagnostics and propulsion system and other satellite systems. Space Power, Inc., now part of Pratt & Whitney's Chemical Systems Division, under contract NAS3-99151 to the NASA Glenn Research Center, obtained these data over several periods from March 12, 2000, through September 30, 2001. Each of the 12 individual reports describe, in detail, the propulsion systems as well as the diagnostic sensors utilized. Finally, parts 11 and 12 include the requirements to which NPO PM prepared and delivered these data.				
14. SUBJECT TERMS Propulsion; Electric propulsion; Hall thrusters; Hall effect			15. NUMBER OF PAGES 163	
			16. PRICE CODE	
17. SECURITY CLASSIFICATION OF REPORT Unclassified	18. SECURITY CLASSIFICATION OF THIS PAGE Unclassified	19. SECURITY CLASSIFICATION OF ABSTRACT Unclassified	20. LIMITATION OF ABSTRACT	