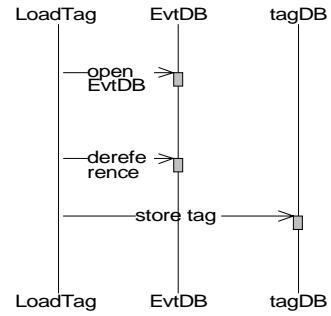


Load tagDB

Description

- Select EvtDB
- open EvtDB
- Scan
- Iterate oParticles
  - read event
  - compute tag
  - store tag
- End Iteration
- End EvtDB



Query Execution

Description

- New Query
  - create query object
  - bind to qe and register new query object
  - query token is returned
  - issue predicate
  - user decides to execute
  - execute query
  - qe tells qm to execute qid
  - iterate over query results
    - next
      - release previous file
      - request oid sublist
      - file is staged
      - stage file
      - retrieve oid sublist
    - return next
    - return oid ref
    - retrieve this event and process it
  - End Iteration
- End Query

