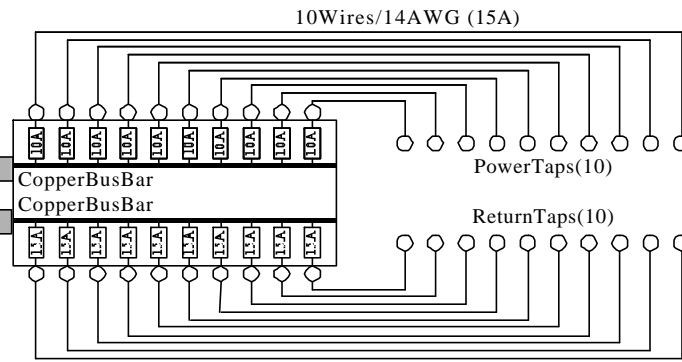


# Port Card Burn-In Power Supply Configuration

## +5 Volt Digital Supply

Lambda  
0-8V @ 100A  
Set Current Limit to  
75A(Max) Before  
Using!

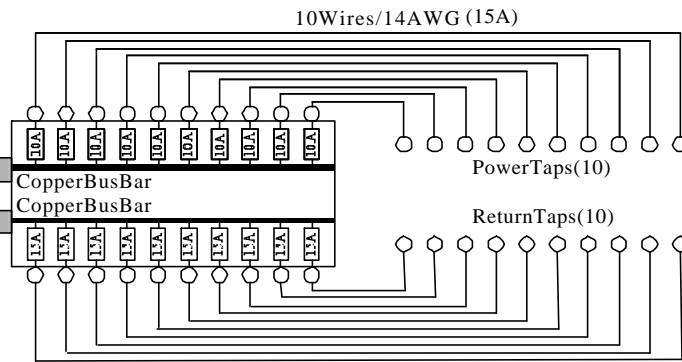
#4GA(100A)  
#4GA(100A)  
#12AWG(20A)



## +7 Volt Analog Supply

Lambda  
0-8V @ 100A  
Set Current Limit to  
75A(Max) Before  
Using!

#4GA(100A)  
#4GA(100A)

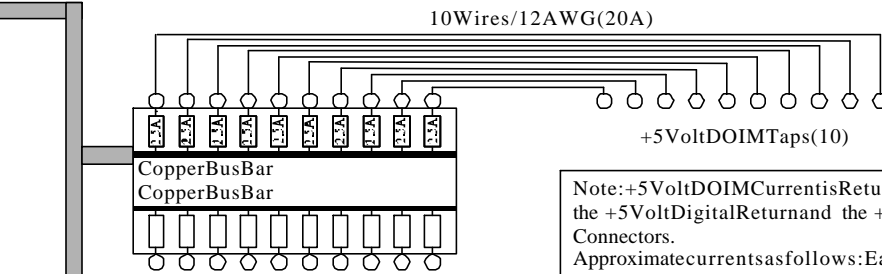


Note: Chillertemperatureismonitored sothatthe+5VDOIMsupplycan bepowereddownintheeventof achillermalfuction.

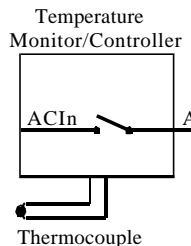
## +5 Volt DOIM Supply

Lambda  
0-8V @ 35A  
Set Current Limit to  
25A(Max) Before  
Using!

#6GA(75A)  
#12AWG(20A)



Note: +5VoltDOIMCurrentisReturnedThroughBoth the +5VoltDigitalReturnand the +2VoltDOIM Connectors. Approximatecurrentsasfollows: Each+2VoltTap=1A andeach+5VoltDigitalReturnTap=1.5A



## +3 Volt DOIM Supply

Lambda  
0-8V @ 35A  
Set Current Limit to  
25A(Max) Before  
Using!

#6GA(75A)  
#12AWG(20A)

