

INTRODUCTORY NOTE

This directory contains the names and addresses of physicians who are authorized to perform physical examinations and issue airman medical certificates for the Administrator of the Federal Aviation Administration. This 2008 edition follows the same format as previous editions, and contains updated Aviation Medical Examiner information compiled through Mar. 10, 2008. All Aviation Medical Examiners listed in this directory are authorized to conduct airman physical examinations for Second and Third Class Medical Certificates. They are also authorized to issue the combined Medical-Student Pilot Certificate. Aviation Medical Examiners authorized to issue First Class Medical Certificates are identified by an (*) asterisk symbol.

Part 61 of the Federal Aviation Regulations describes the various types of airman operations and indicates the class of medical certification required.

Physicians interested in becoming Aviation Medical Examiners should request application forms from the FAA Regional Flight Surgeon.

NORTHWEST MOUNTAIN REGION

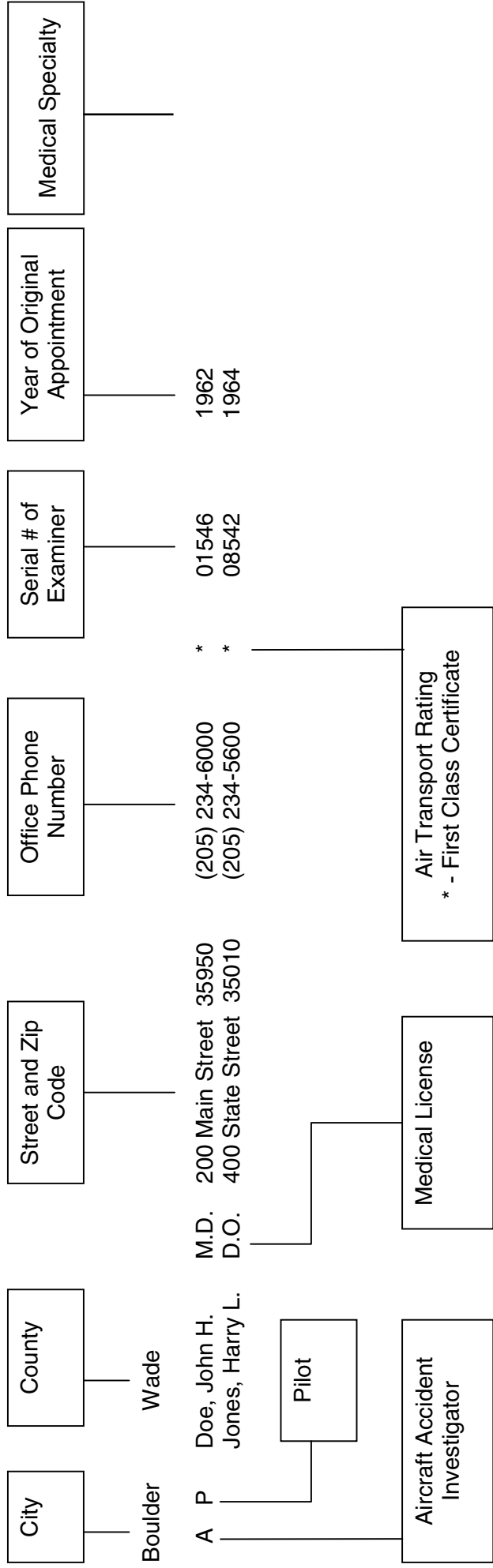
Michael D. Jones, M.D.
Regional Flight Surgeon, ANM-300
Federal Aviation Administration
1601 Lind Avenue, S.W.
Renton, Washington 98055-4056

Telephone (425) 227-2300
(800) 233-5811
FAX (425) 227-1300

The following states are in the Northwest Mountain Region:

Colorado	Idaho
Montana	Oregon
Utah	Washington
Wyoming	

FORMAT OF AVIATION MEDICAL EXAMINER DIRECTORY



You should make requests for changes or Corrections to your Regional Flight Surgeon.

COLORADO

ASPEN

MINK, BARRY D

ASPEN CLNC 100 EAST MAIN STREET 81611-0000

(970) 925-5440 * 14794 1978 Family Practice/General Practice

AURORA

P GILMER, T SCOTT

AURORA INTERNAL MEDICINE, 1400 S POTOMAC STE 190
80012-4514

(303) 369-4932 18778 1983 Internal Medicine

P FELL, WILLIAM F

830 POTOMAC CIR STE 250 80011-6744

(303) 360-0958 * 18814 1984 Internal Medicine

KICK, STEVEN D

12605 E 16 AVE MAIL STOP F784 80045-

(720) 848-2370 02038 2005 Internal Medicine

KICK, STEVEN D

UNIVERSITY OF COLORADO HOSPITAL P.O. BOX 6510 F784
80045-

02038 2005 Internal Medicine

P NORTON, PHILIP H.

730 POTOMAC ST STE 214 80011-0000

(303) 364-3376 * 08410 1962 Family Practice/General Practice

BOULDER

P SANCETTA, ROBERT L

1803 SOUTH FOOTHILLS HWY STE #200-S 80303-7392

(303) 499-5228 * 14035 1994 Family Practice/General Practice

P WEBER, PHILIP F

805 S. BROADWAY, STE. 103 80305-

(303) 996-6804 18895 1986 Family Practice/General Practice

HICKMAN, GERALD M.

1755 48TH ST STE 200 80301-2712

(303) 494-5263 * 19921 1987 Family Practice/General Practice

BRIGHTON

P SISK, JERALD L.

15797 FORTUNE CT 80603-0000

(303) 659-5867 14771 1992 Family Practice/General Practice

P EUSER, ANTHONY G

36 S 18TH AVE STE B 80601-0000

(303) 659-7600 01923 2003 Family Practice/General Practice

BROOMFIELD

ROBERTSON, SUSAN JE/

1420 W MIDWAY BLVD 80020-0000

(303) 466-1866 * 12934 1991 Family Practice/General Practice

P LEISTIKOW, DAVID C

1022 DEPOT HILL RD 80020-1068

(303) 465-2323 * 04331 1971 Family Practice/General Practice

MARKEL, WILLIAM R.

BROOMFIELD FAMILY PRACTICE, 1420 W MIDWAY BLVD
80020-0000

(303) 466-1866 * 03469 1960 Family Practice/General Practice

STANTON, JOHN K

HEALTH MATTERS PC, JEFFCO CLINIC 11945 AIRPORT
WAY STE 106 80021-2565

(303) 466-8730 01917 2003 Family Practice/General Practice

HILL, JAMES R.

1420 W MIDWAY BLVD 80020-0000

(303) 466-1866 * 14785 1978 Family Practice/General Practice

P ROBINSON, RONALD R

11945 AIRPORT WAY 80021-

(303) 868-1724 80035 1997 Aerospace Medicine

CEDAREGGE

PULSIPHER, KEVIN L.

SURFACE CREEK FAMILY PRACTICE PC, 255 SW 8TH AVE
81413-

(970) 856-3146 02024 2004 Family Practice/General Practice

CENTENNIAL

MEYER, JAMES J.

7030 S. YOSEMITE STR. 80122-

(303) 721-9984 02327 2006 Family Practice/General Practice

CLIFTON

STELMACH, LAWRENCE .

PEACH VALLEY FAMILY MED CTR, 3225 I-70 BUSINESS
LOOP A-4 81520-0000

(970) 434-6542 01872 2002 Family Practice/General Practice

COLORADO SPRINGS

DEWHIRST, MILTON C

1255 LAKE PLAZA DR STE 100 80906-3541

(719) 596-0008 * 09733 2004 Family Practice/General Practice

P RAPP, ALAN D

625 N CASCADE STE 120 80903-0000

(719) 442-1715 * 08665 1963 Internal Medicine

P HAMSTRA, GERALD A

2120 ACADEMY CIR STE G 80909-0000

(719) 574-7849 * 10952 1992 Family Practice/General Practice

BRADLEY, J DOUGLAS

3002 S ACADEMY BLVD 80916-3202

(719) 390-7017 * 17708 1980 Family Practice/General Practice

P LIMOGE JR, JEROME P.

SOUTHWEST DIAGNOSTICS, 2020 N ACADEMY BLVD STE
155 80909-

(719) 219-0914 * 02341 2007 Aerospace Medicine

HARCLERODE, DAVID A

30 LANGLEY PLACE 80906-

(719) 527-0797 19685 1988 Family Practice/General Practice

CHRISTOFF, ANTHONY J

715 N CASCADE AVE 80903-0000

(719) 471-9891 20340 1999 Family Practice/General Practice

COPPER MOUNTAIN

A FREEDMAN, PHILIP E

860 COPPER RD PO BOX 3808 80443-0000

(970) 968-2330 * 14724 1976 Family Practice/General Practice

CRAIG

TOLD, THOMAS N

CRAIG MEDICAL CLINIC, 580 PERSHING ST 81625-3047

(970) 824-3213 11504 1990 Family Practice/General Practice

PITKIN

ARAPAHOE

BOULDER

WELD

BROOMFIELD

DELTA

ARAPAHOE

MESA

EL PASO

SUMMIT

MOFFAT

COLORADO - (Cont.)

DENVER		DENVER							
P	BLEASE JR, ERNEST B	2121 S ONEIDA SUITE 270 80224-2556	(303) 759-5021	*	06622	1961	Family Practice/General Practice		
	LANDSMAN, GORDON S.	UNITED AIRLINES MEDICAL, 8900 PENA BLVD 80249-6363	(303) 348-4301	*	14023	2007	Family Practice/General Practice		
	MAESTAS, GILBERT B.	2005 FRANKLIN ST BLDG I STE 695 80205-0000	(303) 388-5985	*	14459	1992	Aerospace Medicine		
	FRADL, DEMERICK C	1855 S PEARL ST #20 80210-0000	(720) 480-8777	*	18810	1984	Family Practice/General Practice		
	BRIGNONI, HECTOR J	AVIATION & OCCUPATIONAL MEDICINE, 6900 EAST 47TH AVE DR STE 100 80216-0000	(303) 333-4411	*	01957	2003	Family Practice/General Practice		
	ARTIST, RICKY L	DENVER HEALTH MED CTR @DIA, 8400 PENA BLVD PO BOX 492073 80249-6325	(303) 317-0607	*	01903	2002	Family Practice/General Practice		
	SOLER, JOSE (JOSEPH)	4809 ARGONNE ST. STE. 100 80249-0000	(303) 344-8700		01893	2002	Family Practice/General Practice		
	SZCZUKOWSKI, LORI C	DENVER HLTH MED CTR @DIA, 8400 PENA BLVD PO BOX 492073 80249-6325	(303) 317-0607	*	20336	1999	Internal Medicine		
	PETERS, WAYNE L	4700 E ILIFF AVE 80222-0000	(303) 584-8900	*	10987	1993	Internal Medicine		
	LADWIG, MICHAEL V.	6900 EAST 47TH AVE STE 100 80216-0000	(303) 333-4411	*	19912	1987	Occupational/Industrial Medicine		
P	RAMSEY, CAROL S	HEALTH ONE OCCUP & AVIATION MEDICINE, 4809 ARGONNE ST STE 150 80249-	(303) 563-2750	*	16920	2007	Occupational/Industrial Medicine		
	WADA, AYAKO	3700 HAVANA ST STE 200 80239-0000	(303) 373-4456	*	11463	1989	Family Practice/General Practice		
P	KLUCK, CLARENCE J	3700 HAVANA ST STE 200 80239-0000	(303) 373-4456	*	10953	1992	Internal Medicine		
DURANGO		LA PLATA							
P	GROSSMAN, RICHARD A	1 MERCADO ST STE 105 81301-0000	(970) 382-8800		14808	1978	Family Practice/General Practice		
P	LEVINE, DAVID B.	1199 MAIN AVE. 81301-	(970) 764-7145	*	18764	1983	Family Practice/General Practice		
ELIZABETH		ELBERT							
P	VAN VONDEREN, VERNO	34061 FOREST PARK DR PO BOX 397 80107-	(303) 646-4071	*	19215	1992	Occupational/Industrial Medicine		
ENGLEWOOD		ARAPAHOE							
P	SEVER, JOSEPH G	221 EAST HAMPDEN AVE 80110-2620	(303) 789-2251	*	09934	1969	Family Practice/General Practice		
	HARRIS, JOHN C	12150 EAST BRIARWOOD AVE STE 105 80112-6701	(303) 790-1999	*	17918	1981	Family Practice/General Practice		
EVERGREEN		JEFFERSON							
	STALLER, RICHARD L.	ELK RIDGE FAMILY PHYSICIANS, 30940 STAGECOACH BLVD #E290 80439-0000	(303) 674-8153	*	20346	1999	Family Practice/General Practice		
	FEDACK, KATHLEEN A	5861 HIGH ST 80439-	(303) 324-1254		02303	2005	Anesthesiology		
	AUGUSTITUS, V K	30940 STAGECOACH STE 270E 80439-0000	(303) 674-6062	*	20062	1994	Internal Medicine		
FORT COLLINS		LARIMER							
P	THIEMAN, WILLIAM J	1217 E ELIZABETH ST 80524-4040	(970) 484-7245	*	14843	1979	Family Practice/General Practice		
P	PADDACK, MICHAEL R	2519 S. SHIELDS ST #108 80526-1855	(970) 461-3470	*	20378	2001	Family Practice/General Practice		
	HOMBURG, ROBERT C.	1100 POUFRE RIVER DR 80524-3551	(970) 224-9508		19936	1987	Internal Medicine		
	SMITH, JEROME I	2025 BIGHORN DR 80525-0000	(970) 229-9800		17925	1981	Family Practice/General Practice		
FORT MORGAN		MORGAN							
P	FORTUNATO, JOSEPH G	53 LAKEVIEW CIRCLE 80701-	(970) 867-0660		02682	2002	Family Practice/General Practice		
	THOMPSON, SHAUN P.	GENERATIONS HEALTH CARE, 931 LINCOLN ST 80701-3103	(970) 867-1900		01983	2004	Family Practice/General Practice		
FRISCO		SUMMIT							
	LACKEY, CHARLES W	101 W MAIN ST STE 103 PO BOX 653 80443-9999	(970) 668-5584		18887	1986	Family Practice/General Practice		
GLENWOOD SPRINGS		GARFIELD							
	BROKERING, HARRY R	GLENWOOD MEDICAL ASSOCIATES, 1830 BLAKE AVE 81601-0000	(970) 945-8503	*	20343	1999	Family Practice/General Practice		
GRAND JUNCTION		MESA							
P	JONES, PAUL B.	2525 N EIGHTH ST 81501-8845	(970) 245-1168		14837	1979	Obstetrics/Gynecology		
P	CAMPBELL, DENIS P	3150 N 12TH STREET 81501-0000	(970) 256-8440	*	14756	1977	Ophthalmology		
P	RIGG, ROBERT W	3150 NORTH 12TH ST 81502-	(970) 256-8440	*	08558	1962	Ophthalmology		
GREELEY		WELD							
P	BUDENSIEK, RICHARD L	5623 W 19TH ST 80634-0000	(970) 353-9011	*	07102	1988	Family Practice/General Practice		
P	GROVES, FRED B	621 ED BEEGLE LANE 80631-0000	(970) 352-4590	*	14189	1974	General Surgery		
P	FAHRENHOLTZ, H DANIE	N COLORADO FAMILY MED 1600 23RD AVE 80631-0000	(970) 356-2424	*	13198	1976	Family Practice/General Practice		
P	OLDS JR., KENNETH M.	6801 W 20TH STE 101 80634-0000	(970) 378-8000	*	14188	1974	Family Practice/General Practice		
	KAILASAM, VELUSAMY	1130 38TH AVE 80634-0000	(970) 330-5391		20381	2001	Internal Medicine		
GUNNISON		GUNNISON							
	TARR JR, JOHN S	130 E VIRGINIA AVE 81230-2246	(970) 641-0211		14831	1979	Family Practice/General Practice		
HIGHLANDS RANCH		DOUGLAS							
	MIGNOLI, MICHAEL D	4185 E. WILDCAT RESERVE PKWY STE 100 80126-0000	(303) 791-7896		01963	2003	Internal Medicine		

COLORADO - (Cont.)

LAKEWOOD		JEFFERSON				
AUGUSTITUS, V K	165 S UNION BLVD STE 800 ATTN JOANN 80228-0000	(303) 988-2680	*	20062	1994	Internal Medicine
SMITH JR., VERNON M.	KIPLING PHYSICIANS, 10090 WEST 26TH AVE 80215-4848	(303) 232-7660	*	20335	1999	Internal Medicine
P COSH, GLENN M	1555 S WADSWORTH BLVD 80232-0000	(303) 985-1597	*	09777	1968	Family Practice/General Practice
LEADVILLE		LAKE				
CALLEN, WAYNE L	825 WEST SIXTH STREET 80461-3825	(719) 486-1264		18714	1982	Family Practice/General Practice
LITTLETON		JEFFERSON				
P CRAM, JON JACOB	6169 S BALSAM WAY STE 220 80123-0000	(303) 963-0566		10965	1992	Family Practice/General Practice
QUICK, DARREL K	OCCUP MEDICINE PHYSICIANS OF COLORADO, 20 W DRY CREEK CIRCLE STE 100 80120-0000	(303) 798-1009	*	20375	2001	Occupational/Industrial Medicine
HUGHES, JOHN S	20 W DRY CREEK CIRCLE #100 80120-0000	(303) 798-1009	*	19916	1987	Occupational/Industrial Medicine
LONE TREE		DOUGLAS				
MEIER, KATYA I.	CLEAR SKY MEDICAL, 10103 RIDGEGATE PARKWAY ASPEN BUILDING STE 221 80124-	(303) 790-7860		02336	2007	Family Practice/General Practice
LONETREE		DOUGLAS				
DAVIS, KAREN ANN	9224 TEDDY LANE STE 100 80124-6799	(303) 649-1253		10998	1993	Family Practice/General Practice
LONGMONT		BOULDER				
CAVANAUGH, PATRICK F	205 S. MAIN ST. 80501-	(303) 772-6244	*	14695	1975	Family Practice/General Practice
MC KENNA, MICHAEL P.	CARE PLUS, 850-A 23RD AVENUE 80501-0000	(303) 776-2001	*	11004	1993	Family Practice/General Practice
LOVELAND		LARIMER				
P PADDACK, MICHAEL R	4826 EARHART RD 80538-	(970) 461-3470	*	20378	2001	Family Practice/General Practice
MEEKER		RIO BLANCO				
BULLARD, BRANCH R	RIO BLANCO COUNTY, 345 CLEVELAND ST 81641-	(970) 878-5047		20382	2001	Family Practice/General Practice
NORWOOD		SAN MIGUEL				
MC CALLEN, JULIE ANN	NORWOOD FAMILY MEDICINE PC, 1175 GRAND AVE PO BOX 1000 81423-1000	(970) 327-4470	*	20392	2001	Family Practice/General Practice
PUEBLO		PUEBLO				
BRADLEY, J DOUGLAS	4117 N ELIZABETH AVE 81008-2009	(719) 545-0788	*	17708	1980	Family Practice/General Practice
P SCHMIDT, JOHN J	509 W 17TH ST 81003-0000	(719) 543-2211		20277	1997	Internal Medicine
RIFLE		GARFIELD				
MORTON, G THOMAS	220 EAST AVE 81650-0000	(970) 625-5521	*	14165	1973	Internal Medicine
SALIDA		CHAFFEE				
P GROSS, BRUCE A	HEART OF THE ROCKIES, REGIONAL MED CTR 448 EAST 1ST ST 81201-0000	(719) 539-8697		17890	2001	Family Practice/General Practice
STEAMBOAT SPRINGS		ROUTT				
P WILLIAMS, DAVID M	STEAMBOAT MED GRP, 1475 PINE GROVE RD #102 80487-8803	(970) 879-0203	*	14766	1977	Family Practice/General Practice
STERLING		LOGAN				
P ELLIFF, JOHN E	220 S 3RD ST STE #1 PO BOX 951 80751-4302	(970) 522-1833	*	08750	1963	Ophthalmology
SUPERIOR		BOULDER				
LIEBENTRITT, MATTHEW	ROCK CREEK MEDICAL CENTER, 500 DISCOVERY PARKWAY STE 100 80027-	(303) 403-7800	*	02026	2004	Family Practice/General Practice
TELLURIDE		SAN MIGUEL				
P GAYLORD, KENT D	TELLURIDE MEDICAL CENTER, 500 WEST PACIFIC PO BOX 1229 81435-	(970) 728-3848		02019	2004	Family Practice/General Practice
THORNTON		ADAMS				
P STRIPLIN, MICHAEL R	COLORADO OCC MED PHYS, 8515 PEARL ST STE 300 80229-0000	(303) 853-8989	*	18770	1983	Occupational/Industrial Medicine
P DILLON, JADE E	550 E THORNTON PRWY, STE.110 80229-0000	(303) 341-1799	*	20361	2000	Occupational/Industrial Medicine
VAIL		EAGLE				
ECK, FREDERICK J	COLORADO MTN MED, 181 W MEADOW DR STE 800 81657-0000	(970) 476-7600	*	14164	1999	Internal Medicine
WESTMINSTER		ADAMS				
P ENGEL, BERNARD E.	8461 TURNPIKE DR STE 200 80031-4379	(303) 426-1616		14774	1994	Family Practice/General Practice
P FORD III, JOHN J	8601 TURNPIKE DR STE 200 80031-7044	(303) 428-7449	*	14779	1977	Family Practice/General Practice
STANTON, JOHN K	HEALTH MATTERS PC, 12004 MELODY DR 80234-0000	(303) 452-9585		01917	2003	Family Practice/General Practice
WINTER PARK		GRAND				
P SEVER, JOSEPH G	PO BOX 1825 78336 US HIGHWAY 40 80482-	(970) 726-8989	*	09934	1969	Family Practice/General Practice
WRAY		YUMA				
BUCHANAN, DOUGLAS J	THE WRAY CLINIC, 1017 WEST 7TH PO BOX 216 80758-0216	(970) 332-4895		01944	2003	Family Practice/General Practice

IDAHO

BLACKFOOT

SOUICIE, GARY W. BLACKFOOT MEDICAL CLINIC, 1441 PARKWAY DRIVE (208) 785-2600 02339 2007 Family Practice/General Practice
83221-

BOISE

POGUE, BRYAN C. 6565 WEST EMERALD 83706-0000 (208) 377-5055 10960 1992 Family Practice/General Practice
HIGGINBOTHAM, RONALI 7685 WEST EMERALD ST 83704-9018 (208) 376-2522 * 11526 1990 Family Practice/General Practice
P SIM, DAVID N 6014 EMERALD STREET 83704-8855 (208) 376-8666 18816 1984 Internal Medicine
P WEISS, MICHAEL S. ST LUKES, 703 AMERICANA STE 130 83702-0000 (208) 706-5454 20399 2001 Occupational/Industrial Medicine
P JACOBSEN, ERIC S BOISE FAMILY MEDICINE, 10798 WEST OVERLAND RD (208) 377-3368 07889 2000 Family Practice/General Practice
83709-0000
BURKE, BRIANT E 6003 OVERLAND RD STE 104 83706-0000 (208) 353-0158 20350 2003 Family Practice/General Practice
P DZIECZKOWSKI, JEFFER ST. ALPHONSUS MEDICAL CENTER, 6094 EMERALD AVE (208) 367-6575 02332 2006 Internal Medicine
83706-
P JONAKIN, WILLIAM L CAPITAL CITY FAMILY MEDICINE, 1520 WEST STATE ST (208) 947-7700 02018 2004 Family Practice/General Practice
83702-
P COLLINS, PAUL C ORTHOPEDIC HEALTH CARE CLINIC, 1520 W STATE ST (208) 287-1110 14713 1994 Orthopedic Surgery
STE 220 83702-

CHALLIS

P PARIS, RICHARD F WOOD RIVER FAMILY MEDICINE, POB 357 83226-0000 (208) 879-4351 * 18783 1983 Family Practice/General Practice

COEUR D ALENE

BELL, RICHARD K 914 IRONWOOD DRIVE SUITE 101 83814-2675 (208) 765-5922 18074 1981 Family Practice/General Practice

GOODING

P GIES, FLORIAN J 425 IDAHO ST PO BOX 447 83330-0447 (208) 934-5900 * 14095 1992 Aerospace Medicine
P SPENCER, MARK D ASSOC IN FAMILY PRACTICE, 425 IDAHO ST PO BOX 447 (208) 934-5900 10968 1992 Family Practice/General Practice
83330-0447

HAILEY

BARBEE, CARL A. 706 S MAIN 83333-0000 (208) 788-3434 * 18079 1981 Family Practice/General Practice
P PARIS, RICHARD F WOOD RIVER FAMILY MEDICINE, 706 S MAIN ST 83333-0000 (208) 788-3434 * 18783 1983 Family Practice/General Practice

HAYDEN

P WEST, ROBERT S. COEUR D'ALENE FLIGHT MEDICINE, 2701 CESSNA AVE PO (208) 772-6647 * 14570 1975 Cardiovascular Surgery
BOX 3017 83835-3017
P MANTEUFFEL, MARK E PO BOX 3017 83835-3017 (208) 772-6647 * 01852 2002 Family Practice/General Practice

HOMEDALE

P NOAK, JOHN F. OWYHEE MEDICAL CLINIC, PO BOX 907 106 W IDAHO AVE (208) 337-3233 02035 2005 Family Practice/General Practice
83628-0907

IDAHO FALLS

P KRANTZ, LELAND K 2001 SOUTH WOODRUFF SUITE 15 83404-0000 (208) 522-7310 18027 1980 Internal Medicine

KETCHUM

P MC CLURE, ROYAL A 100 HOSPITAL DR #201 PO BOX 100 83340-0000 (208) 727-8888 * 17022 1978 Internal Medicine

LEWISTON

P JEFFERSON JR, GLENN E 2315 8TH ST 83501-0000 (208) 746-1383 * 20068 1995 Family Practice/General Practice

MCCALL

HARRIS, SCOTT S 211 W FOREST ST PO BOX 1047 83638-0000 (208) 634-2225 * 20250 1996 Family Practice/General Practice

MERIDIAN

SUTHERLIN, RALPH M ST. LUKE'S OCCUP HEALTH SERVICES, 520 SOUTH EAGLE (208) 706-5447 * 01973 2003 Aerospace Medicine
RD 83642-0000
POGUE, BRYAN C. 1618 SOUTH MILLENNIUM WAY 83642- (208) 288-1717 10960 1992 Family Practice/General Practice
P WEISS, MICHAEL S. ST LUKES, 520 S. EAGLE RD STE 2213 83642- (208) 706-7500 20399 2001 Occupational/Industrial Medicine

MOSCOW

GRAUKE, JOHN H 213 NORTH MAIN 83843-2700 (208) 882-7565 14029 1992 Family Practice/General Practice

NAMPA

P MARTIN, DAVID A 215 EAST HAWAII 83686-0000 (208) 467-1121 * 11166 1989 Family Practice/General Practice

POST FALLS

CARRAHER, MICHAEL J 1300 E MULLAN 83854-0729 (208) 773-0721 * 20061 1994 Occupational/Industrial Medicine

RUPERT

P BROWN, LEO R MINIDOKA MEMORIAL HOSPITAL, 1224 8TH ST 83350-0000 (208) 436-6810 13437 1993 General Surgery

SAINT MARIES

KATOVICH, JOHN R. BENEWAH COMMUNITY HOSPITAL, 229 S. 7TH ST 83861- (208) 245-5551 02329 2006 Family Practice/General Practice

BINGHAM

ADA

CUSTER

KOOTENAI

GOODING

BLAINE

KOOTENAI

OWYHEE

BONNEVILLE

BLAINE

NEZ PERCE

VALLEY

ADA

LATAH

CANYON

KOOTENAI

MINIDOKA

BENEWAH

IDAHO - (Cont.)

SANDPOINT

RUST, ROBERT E
BONINE, TIMOTHY R

302 S FIRST AVE 83864-1202
1309 PONDEROSA DR STE 103 83864-8278

(208) 263-5109 * 14650 1977 Family Practice/General Practice
(208) 263-9545 * 01969 2003 Family Practice/General Practice

TWIN FALLS

P DOBLE II, H PETER
P FORTUIN, BRIAN W.

1330 FILER AVE E PO BOX 1864 83301-0000
MAGIC VALLEY MEDICAL SERVICES, 660 SHOSHONE ST
EAST 83301-

(208) 734-4555 * 20071 1995 Otorhinolaryngology
(208) 732-3400 02340 2007 Internal Medicine

WENDELL

P SPENCER, MARK D
P GIES, FLORIAN J

ASSOC IN FAMILY PRACTICE, 410 N IDAHO ST 83355-0000
410 NORTH IDAHO ST PO BOX 500 83355-0000

(208) 536-6663 10968 1992 Family Practice/General Practice
(208) 536-5900 * 14095 1992 Aerospace Medicine

BONNER

TWIN FALLS

GOODING

MONTANA

ABSAROKEE

P EXLEY JR., JACK L.

ABSAROKEE MEDICAL CLINIC, PO BOX 425 59001-0000

(406) 328-4497 14707 1975 Family Practice/General Practice

BAKER

ESPELAND, DARRYL M

PO BOX 1119 202 SOUTH 4 WEST 59313-0000

(406) 778-2833 * 11607 1988 Family Practice/General Practice

BELGRADE

KING, DAVID B.
LAYMAN, MICHAEL A
ALLEN, EDWARD G.

33 W MAIN 59714-4438
BELGRADE URGENT CARE, 403 W MAIN ST 59714-0000
201 W MADISON ST BLDG 1 STE 101 59714-

(406) 388-3334 18854 1985 Family Practice/General Practice
(406) 388-8708 * 01951 2003 Emergency Medicine
(406) 388-7050 * 14176 1973 Family Practice/General Practice

BIG TIMBER

P WALKER, WALLACE C

301 WEST 7TH PO BOX 1267 59011-0000

(406) 932-4199 20080 1996 Family Practice/General Practice

BILLINGS

ETCHART, LEONARD W.
HEMMER JR, LAWRENCE
P GREWELL, DONALD A
JOHNSON JR, D FRANK

2900 12TH AVE N SUITE 265W 59101-0000
2675 CENTRAL AVENUE 59102-0000
BILLINGS CLINIC WEST, 2675 CENTRAL AVE 59102-0000
670 KINK PARK DR #1 59102-

(406) 238-6265 * 08138 1994 Internal Medicine
(406) 238-2900 18893 1986 Family Practice/General Practice
(406) 238-2900 * 11548 1990 Family Practice/General Practice
(406) 655-4940 * 08139 1964 Internal Medicine

BOZEMAN

P PATTERSON, JOHN S
LOEFFELHOLZ, JAMES E
HATHAWAY, ROBERT A

MED ASSOC PC, 935 HIGHLAND BLVD #4400 59715-0000
905 HIGHLAND BLVD STE 3220 59715-6902
INTERNAL MED ASSOC, 931 HIGHLAND BLVD #3330
59715-6902

(406) 587-5123 * 14792 1978 Family Practice/General Practice
(406) 522-2400 01882 2002 Internal Medicine
(406) 556-5533 14840 1979 Family Practice/General Practice

BUTTE

HUNT, KENNETH C
P HUGHES JR, EUGENE F

MERCURY STREET MEDICAL, 300 WEST MERCURY
59701-0000
BUTTE AVIATION INC., 4602 HARRISON AVE 59701-

(406) 723-1300 11474 1989 Family Practice/General Practice
(406) 494-6694 17882 2005 Radiation Oncology

CHESTER

YOUNG, GLADYS E

TRIANGLE HEALTH CARE, PO BOX 506 418 WEST MONROE
AVE 59522-0506

(406) 759-5194 01937 2003 Family Practice/General Practice

GREAT FALLS

JOHNSON, MARCUS A
ONSTAD, LYLE J.

NORTH CENTRAL PRIMARY CARE ASSOCIATES, 400 13TH
AVE S STE 206 59405-4375
401 15TH AVE. S., STE. 201 59405-

(406) 771-7300 14788 1978 Family Practice/General Practice
(406) 727-2121 02314 2005 Family Practice/General Practice

HAMILTON

PETTY, CHARLES R
MORELAND, JOHN P.

1224 W MAIN ST 59840-2338
1170 WESTWOOD DR PO BOX 1500 59840-1500

(406) 363-1100 * 11106 1966 Family Practice/General Practice
(406) 363-5101 * 14776 1977 Internal Medicine

HARDIN

P OSTAHOWSKI, GARY A

HARDIN CLINIC, 16 NORTH MILES AVE 59034-0000

(406) 665-2205 18769 1983 Family Practice/General Practice

HAVRE

RICHARDSON, BRUCE W

124 13TH ST POB 1231 59501-5223

(406) 265-5408 14816 1978 Family Practice/General Practice

HELENA

P GOODWIN, REGINALD J
KUBICKA, KURT T

405 SADDLE DRIVE 59601-5632
HELENA FAMILY PHYSICIANS, 3330 PTARMIGAN LN
59602-0000

(406) 442-0120 * 14722 1976 Family Practice/General Practice
(406) 442-3570 * 20348 1999 Family Practice/General Practice

KALISPELL

WINKEL, R DENNIS
PETERSON, DENNIS L.
DIXON, CHARLES L
VRANISH, LOREN S

1250 BURNS WAY 59901-0000
WOODLAND CLINIC, 610 7TH ST EAST 59901-3135
FAMILY HEALTH CARE PC, 1287 BURNS WAY 59901-0000
FAMILY HEALTH CARE 1287 BURNS WAY 59901-0000

(406) 752-8877 * 20066 1995 Family Practice/General Practice
(406) 755-7366 10982 1993 Internal Medicine
(406) 752-8120 01934 2003 Family Practice/General Practice
(406) 752-8120 13615 1991 Family Practice/General Practice

STILLWATER

FALLON

GALLATIN

SWEET GRASS

YELLOWSTONE

GALLATIN

SILVER BOW

LIBERTY

CASCADE

RAVALLI

BIG HORN

HILL

LEWIS AND CLARK

FLATHEAD

MONTANA - (Cont.)

LIVINGSTON		PARK					
P	NOTEBOOM, DENNIS L	1001 RIVER DR 59047-	(406) 222-0800	17914	1980	Family Practice/General Practice	
MCALLISTER		MADISON					
	HAYWARD, BRUCE T	24 COACHMAN LANE 59740-0000	(406) 682-7459	10983	1993	Family Practice/General Practice	
	HAYWARD, BRUCE T	P.O. BOX 179 59740-0179	(208) 756-5655	10983	1993	Family Practice/General Practice	
MILES CITY		CUSTER					
P	BASE, STEPHEN J	MILES CITY HEALTH CARE CLINIC, 620 SOUTH HAYNES AVE 59301-	(406) 233-7000	01902	2002	Internal Medicine	
MISSOULA		MISSOULA					
	PRIDDY, MICHAEL R	612 W. ALDER ST. 59802-	(406) 728-3111	*	11604	1988	Family Practice/General Practice
PLENTYWOOD		SHERIDAN					
	STONER, KIRK L.	448 W LAUREL AVE BOX 217 59254-0000	(406) 765-1501	10986	1993	Family Practice/General Practice	
POLSON		LAKE					
	RAUSCH, DANIEL P.	WESTERN MONTANA MED CLNC, SIX 13TH AVE EAST STE 1 59860-1331	(406) 883-5680	20278	1997	Family Practice/General Practice	
ROBERTS		CARBON					
P	GRAHAM, STEPHEN J	7736 HIGHWAY 212 59070-0000	(406) 425-1355	09162	1994	Ophthalmology	
RONAN		LAKE					
P	CULLIS, WILLIAM C	126 6TH AVE SW 59864-0000	(406) 676-3600	*	19648	1996	Family Practice/General Practice
SHELBY		TOOLE					
	BIANCARELLI, GEORGE /	MARIAS HEALTHCARE SERVICES INC, 670 PARK AVENUE 59474-	(406) 434-3100	02317	2006	Family Practice/General Practice	
WHITEFISH		FLATHEAD					
	HOLDHUSEN, CHRIS J	GLACIER MEDICAL ASSOCIATES, 1111 BAKER AVE 59937-0000	(406) 862-2515	01877	2002	Family Practice/General Practice	
WHITEHALL		JEFFERSON					
P	SACRY, GAYLE	108 FIRST WEST BOX 339 59759-0000	(406) 287-3003	04292	1966	Family Practice/General Practice	
WOLF POINT		ROOSEVELT					
	ZILKOSKI, MARK W	LISTERUD RURAL HLTH CLNC, 301 KNAPP ST 59201-0000	(406) 653-2150	11522	1994	Family Practice/General Practice	

OREGON

ASHLAND		JACKSON					
P	SAMMONS, WILLIAM M.	935 SISKIYOU BLVD STE A 97520-2143	(541) 482-3472	*	13926	1972	Family Practice/General Practice
ASTORIA		CLATSOP					
P	BOBEK, BRUCE L	ANGEL MEDICAL, 515 15TH STREET 97103-	(503) 325-5411	02009	2004	Internal Medicine	
AURORA		MARION					
P	SMITH, ROGER G.	22785 N.E. AIRPORT RD PO BOX 127 97002-	(503) 678-1217	*	09809	1968	Internal Medicine
BAKER CITY		BAKER					
P	MC KIM, ROBERT M	3175 POCAHONTAS RD 97814-9801	(541) 523-4415	09772	1968	Family Practice/General Practice	
BEND		DESCHUTES					
	DIGIULIO, CHRISTOPHER	CASCADE OCCUPATIONAL MEDICINE, 63595 HUNNELL RD STE 120 97701-	(541) 749-2043	02342	2007	Family Practice/General Practice	
P	SKOTTE, DANIEL M.	FLIGHT SHOP BEND AIRPORT 97702-	(541) 593-5400	*	13125	1991	Family Practice/General Practice
CLACKAMAS		CLACKAMAS					
	HICKERSON, THOMAS H	14450 SE ROYER RD 97015-8711	(503) 658-5521	17023	1978	Family Practice/General Practice	
P	LLOYD, CLEE E.	MT SCOTT MED OFFICE, 9800 SE SUNNYSIDE 97015-9764	(503) 652-2880	18847	1984	Otorhinolaryngology	
	LISOOK, STEVEN M	11211 SOUTHEAST SUNNYSIDE RD 97015-9713	(503) 698-7777	*	14640	1977	Family Practice/General Practice
COOS BAY		COOS					
P	GIVENS, JEFFERY S.	NORTH BEND MEDICAL CENTER, 1900 WOODLAND DR 97420-	(541) 267-5151	02312	2005	Family Practice/General Practice	
CORVALLIS		BENTON					
P	WIGGINS, LLOYD H	2743 NW ROLLING GREEN DR 97330-3521	(541) 757-1822	*	13857	1992	Internal Medicine
	FERGUSON, WILLIAM R.	444 NW ELKS DR 97330-0000	(541) 753-1786	14616	1999	Family Practice/General Practice	
	BARRETT, DANIEL P	3680 NW SAMARITAN DR 97330-0000	(541) 754-1987	01820	2001	Family Practice/General Practice	
CRESWELL		LANE					
P	HANSEN, RICHARD A.	EMERALD VALLEY WELLNESS CLINIC, 600 DALE KUNI RD STE 210 97426-	(541) 895-5300	02025	2004	Family Practice/General Practice	

OREGON - (Cont.)

ENTERPRISE		WALLOWA					
	SIEBE, SCOTT K.	406 NE FIRST ST PO BOX 430 97828-1168	(541) 426-4502	18782	1983	Internal Medicine	
P	EUHUS, LOWELL E	406 NORTHEAST FIRST STREET POB 430 97828-1168	(541) 426-4502	13937	1973	Family Practice/General Practice	
ESTACADA		CLACKAMAS					
	RAMBOUSEK, EDWARD L	381 NE MAIN ST PO BOX 640 97023-0000	(503) 630-4234	20367	2000	Family Practice/General Practice	
EUGENE		LANE					
	STRUTIN, DAVID M	920 COUNTRY CLUB RD STE 200A 97401-0000	(541) 342-2134 *	10966	1992	Internal Medicine	
	PEDERSON, CHARLES L.	2650 SUZANNE WAY 97408-	(541) 228-3000	02036	2005	Occupational/Industrial Medicine	
	PEDERSON, CHARLES L.	2650 SUZANNE WAY STE 200 97408-	(541) 228-3000	02036	2005	Occupational/Industrial Medicine	
GOLD BEACH		CURRY					
P	WILLIAMS, REGINALD G	94180 2ND ST 97444-9761	(541) 247-7047	13962	1973	Family Practice/General Practice	
GRANTS PASS		JOSEPHINE					
P	HOELLRICH, ROBERT G	520 SW RAMSEY STE 203 97527-9998	(541) 479-8308	18708	1982	General Surgery	
	WILSON, TIMOTHY L.	ASANTE OCC HLTH/URGENT CARE, 1505 NW WASHINGTON BLVD 97526-0000	(541) 956-6250	20322	1998	Family Practice/General Practice	
HILLSBORO		WASHINGTON					
P	SMITH, ROGER G.	561 SE OAK ST 97123-	(503) 693-8007 *	09809	1968	Internal Medicine	
	SOHRIAKOFF, JAMES R	527 SE BASELINE, STE. E 97123-0000	(503) 648-1121 *	11056	1988	Family Practice/General Practice	
	MILLER, BRYAN D	HILLSBORO URGENT & OCCUP HEALTH, 434 S 1ST AVE STE 300 97123-	(503) 648-8210	02008	2004	Family Practice/General Practice	
	CHEN, WAN-JUI	364 SE 8TH AVE STE 101 97123-0000	(503) 681-0816	01833	2002	Neurology	
HOOD RIVER		HOOD RIVER					
	HENDERSON, J ALLAN	1021 JUNE ST 97031-1510	(541) 386-2568	18888	1986	General Surgery	
KLAMATH FALLS		KLAMATH					
P	KOCHEVAR, MARK S	1905 MAIN STREET 97601-0000	(541) 882-4691	03433	1959	Family Practice/General Practice	
	BEGGS, JAMES N	WEST OCCUPATIONAL HEALTH, 2633 CROSBY AVE SOUTH 97603-5777	(541) 882-3937	14821	1978	Family Practice/General Practice	
P	ECCLES, RALPH P.	CASCADE EAST FAMILY PRACTICE CLINIC, 2801 DAGGETT AVENUE 97601-1106	(541) 274-6733	02338	2007	Family Practice/General Practice	
LAKE OSWEGO		CLACKAMAS					
	HARRIS, H. FREEMAN	OAKRIDGE MEDICAL CLINIC, 4309 OAKRIDGE RD 97035-	(503) 636-9687	02335	2007	Internal Medicine	
P	SELBY, DAVID W.	LAKE OSWEGO FAMILY PHYSICIANS, 4035 SW MERCANTILE DR #104 97035-	(503) 635-1350	02344	2007	Family Practice/General Practice	
LINCOLN CITY		LINCOLN					
	OKSENHOLT, ERLING J.	LINCOLN CITY MEDICAL CENTER, 2870 WEST DEVILS LAKE RD 97367-0000	(541) 994-9191	20354	1999	Family Practice/General Practice	
MADRAS		JEFFERSON					
	EVANS, DAVID V.	MADRAS MEDICAL GROUP, 76 NE 12TH ST 97741-1894	(541) 475-3874	20307	1998	Family Practice/General Practice	
MCMINNVILLE		YAMHILL					
	THORNTON, CRAIG E.	PHYSICIANS' MEDICAL CTR P.C., 254 NE NORTON LANE 97128-	(503) 472-6161	20064	1995	Internal Medicine	
P	LAUTENBACH, JOHN C.	349 SOUTH BAKER 97128-6039	(503) 472-9438 *	17055	1979	Internal Medicine	
MEDFORD		JACKSON					
P	HELMAN, EDWARD A	1017 ROYAL AVENUE 97504-6242	(541) 770-5188 *	18100	1981	Family Practice/General Practice	
	WILLIAMS, JEFFREY G.	VALLEY IMMEDIATE CARE LLC, 1600 DELTA WATERS RD STE 107 97504-	(541) 858-2515	02005	2004	Aerospace Medicine	
	KORPA, MICHAEL A	PROVIDENCE CTR FOR OCC. MED, 1390 BIDDLE RD STE 101 97504-0000	(541) 732-5554	20401	2001	Occupational/Industrial Medicine	
P	WAYMAN, DANIEL M	S. OREGON EAR, NOSE & THROAT, 555 BLACK OAK DR STE 210 97504-0000	(541) 734-3540	20386	2001	Otorhinolaryngology	
MILWAUKIE		CLACKAMAS					
P	BECKER, SARA C.	NW PRIMARY CARE GRP, 3033 SE MONROE ST 97222-0000	(503) 659-4988	20306	1998	Family Practice/General Practice	
MOLALLA		CLACKAMAS					
	SMUCKER, RAY E	MOLALLA MEDICAL CLINIC, 110 CENTER AVE POB 189 97038-0000	(503) 829-2273	13017	1991	Family Practice/General Practice	
NEWBERG		YAMHILL					
	BAILEY, WILLIAM M.	308 VILLA ROAD STE 114 97132-	(503) 538-9431	02323	2006	Family Practice/General Practice	
NEWPORT		LINCOLN					
P	LEE, W SHERROD	904 SW BAY ST 97365-	(541) 574-4677 *	14617	1998	Otorhinolaryngology	
	FARIA, RUSSELL W	130 NE 4TH ST 97365-3132	(541) 265-5865	20344	1999	Family Practice/General Practice	
NYSSA		MALHEUR					
P	BEUS, MICHEAL L.	3097 CLARK BLVD PO BOX 2381 97913-	(801) 540-4565	02306	2005	Family Practice/General Practice	

OREGON - (Cont.)

ONTARIO		MALHEUR					
P	BARTON, VERNON E	915 SW 3RD AVE 97914-	(541) 889-0771	18092	1981	Family Practice/General Practice	
PENDLETON		UMATILLA					
	DIEHL, JOSEPH H	125 SOUTHEAST COURT STREET PO BOX 549 97801-0000	(541) 276-5951 *	13928	1972	Family Practice/General Practice	
PORTLAND		MULTNOMAH					
	TARRO, JIMMIE N	5331 SW MACADAM AVE STE 307 97239-3859	(503) 294-7193 *	13403	1971	Internal Medicine	
P	LITTLE, JAMES R.	ZOOMCARE, 202 NW 13TH AVE. 97209-	(503) 684-8252 *	02027	2004	Family Practice/General Practice	
P	MILLER, THOMAS S.	9155 SW BARNES RD STE 238 97255-	(503) 223-7214 *	14625	1976	Internal Medicine	
	CLEVEN, JEFFREY C	800 SW 13TH AVE 97205-1902	(503) 221-0161	18885	1986	Internal Medicine	
	MILLER, F. WILLIAM	10373 NE HANCOCK #115 97220-	(503) 853-8631	14603	1976	Internal Medicine	
REDMOND		DESCHUTES					
P	DETWILER, JAMES K	211 NORTHWEST LARCH 97756-1357	(541) 548-2164 *	17001	1977	Family Practice/General Practice	
P	BASS, JERRY J	5745 NW HOMESTEAD WAY 97756-0000	(541) 923-5398 *	20376	2001	Anesthesiology	
ROSEBURG		DOUGLAS					
P	WAHLS, STEVEN ALAN	2570 NW EDENBOWER STE 100 97470-6214	(541) 229-3365 *	20349	1999	Family Practice/General Practice	
SALEM		POLK					
P	PRICE, HARVEY B	1717 KENARD ST NW 97304-	(503) 390-6663	13906	1971	Family Practice/General Practice	
P	CURRIE, JOHN M	2441 GREAR ST NE 97301-0000	(503) 364-3321	20385	2001	Aerospace Medicine	
SILVERTON		MARION					
P	LARSON JR., ROBERT L.	335 FAIRVIEW STREET 97381-0000	(503) 873-8686	14920	1994	Family Practice/General Practice	
SUNRIVER		DESCHUTES					
P	SKOTTE, DANIEL M.	57057 BEAVER DRIVE PO BOX 3572 97707-0000	(541) 593-5400 *	13125	1991	Family Practice/General Practice	
THE DALLES		WASCO					
	PERUZZO, PETER A	COLUMBIA HILLS FAMILY MEDICINE, 1620 EAST 12TH STREET 97058-0000	(541) 296-9151	11673	1990	Family Practice/General Practice	

UTAH

AMERICAN FORK		UTAH					
	WELCH, KERRY D	120 NORTH 1220 EAST SUITE 15 84003-0000	(801) 756-5241 *	18720	1982	Aerospace Medicine	
BRIGHAM CITY		BOX ELDER					
P	HESS, DAVID G.	COLUMBIA/BRIGHAM CITY HOSPITAL, 950 S 500 W 84302-0000	(435) 734-4144 *	20293	1997	Anesthesiology	
CEDAR CITY		IRON					
	THINNES JR, CHARLES J	1303 NORTH MAIN STE C 84720-0000	(435) 868-5500	18822	1984	Family Practice/General Practice	
DELTA		MILLARD					
	HENRIE, DAVID P	130 S WHITE SAGE STE B POB 849 84624-0000	(435) 864-2708	14714	1976	Family Practice/General Practice	
IVINS		WASHINGTON					
	HARDIN, DANA B	SNOW CANYON CLINIC INC, 272 E CENTER ST STE 206 84738-0000	(435) 656-4477 *	20389	2001	Family Practice/General Practice	
	MIDDLETON, RAYMOND .	SNOW CANYON FAMILY PRACTICE, 272 E CENTER ST STE 206 84738-0000	(435) 656-4477 *	18722	1997	Family Practice/General Practice	
LAYTON		DAVIS					
P	KIRKHAM, MARK D.	TANNER CLINIC KAYSVILLE, 2121 NORTH 1700 WEST 84041-0000	(801) 773-4840 *	20302	1998	Family Practice/General Practice	
	OLSEN, CARLA H.	WORK CARE, 2084 NORTH 1700 WEST, STE. D 84041-	(801) 773-3400	02318	2006	Occupational/Industrial Medicine	
	BAXTER, MARK E	TANNER CLINIC, 2121 NORTH 1700 WEST 84041-0000	(801) 773-4840 *	15023	1994	Family Practice/General Practice	
	KAMALU, LAYNE K	934 S MAIN 84041-0000	(801) 544-4227 *	20362	2000	Family Practice/General Practice	
	REES, JAMES H	DAVIS FAMILY PHYSICIANS, 2084 N 1700 W STE A 84041-0000	(801) 773-7232	20356	2000	Family Practice/General Practice	
LOGAN		CACHE					
P	HOUSLEY, MICHAEL	WORK MED CLNC, LOGAN REGIONAL HOSP 1400 N 500 EAST 84341-0000	(435) 716-5478 *	20321	1998	Family Practice/General Practice	
	LEAMAN, HOWARD M.	MURRAY WORKMED, 500 EAST 1400 NORTH 84341-	(435) 716-2600	02305	2005	Internal Medicine	
MIDWAY		WASATCH					
	SPEAKMAN, ROBERT L	730 DUTCH CREEK CT 84049-0000	(801) 494-7882 *	20695	2002	Family Practice/General Practice	
MOAB		GRAND					
P	KEYS, DELL A	798 HUNT RIDGE DR 84532-0000	(435) 259-1560	15064	1994	Family Practice/General Practice	

UTAH - (Cont.)

MURRAY

		SALT LAKE					
	LEAMAN, HOWARD M.	MURRAY WORKMED, 201 EAST 5900 SOUTH #100 84107-	(801) 288-4900	02305	2005	Internal Medicine	
P	HOUSLEY, MICHAEL	WORK MED CLNC, 201 E 5900 S 84107-	(801) 288-4900	*	20321	1998	Family Practice/General Practice
P	SYMKOVIAK, GARY P.	HEART & LUNG INSTITUTE OF UTAH INC, 5979 S. FASHION BLVD 5169 S. COTTONWOOD DR., STE. 620, MURRAY, UT 84107 84107-	(801) 263-2370	02333	2006	Internal Medicine	

OGDEN

		WEBER					
P	MAJOR, MICHAEL SCOTT	5896 S RIDGELENE DR STE B 84405-	(801) 866-0170	*	01863	2002	Otorhinolaryngology
	BELFRY, CAROLYN A	OGDEN CLINIC, 4650 HARRISON BLVD 84403-0000	(801) 476-2618	01960	2003	Family Practice/General Practice	

OREM

		UTAH					
	HARDY, MICHAEL K.	WORK CARE, 601 NORTH 1200 WEST 84057-	(801) 224-4211	02322	2006	Occupational/Industrial Medicine	
	ANDERSON, MARK V	601 NORTH 1200 WEST 84057-0000	(801) 224-4211	*	19934	1987	Occupational/Industrial Medicine

PARK CITY

		SUMMIT					
P	FINKLEMAN, ARNOLD	SNOW CREEK EMERG & MED CTR, 1600 SNOW CREEK DR STE B 84060-0000	(435) 655-0055	*	20260	1996	Emergency Medicine
P	STADLER JR. E. WARREN	1500 THREE KINGS DR #31 PO BOX 68-1599 84068-	(801) 599-9864	*	02016	2004	PHYSICAL MEDICINE & REHAB
	OROSZ, LARRY J	SNOW CREEK EMERG & MED CTR, 1600 SNOW CREEK DR 84060-0000	(435) 655-0055	*	20265	1996	Emergency Medicine
	SPEAKMAN, ROBERT L	1743 W. REDSTONE CENTER DR STE 115 84098-	(435) 658-9200	*	20695	2002	Family Practice/General Practice

PAYSON

		UTAH					
	ARCHER, FRANK J	UTAH COUNTY MEDICAL ASSOCIATES, 97 S. PROFESSIONAL WAY 84651-	(801) 465-4896	01885	2002	Family Practice/General Practice	

PLEASANT GROVE

		UTAH					
	WILLIS, MARSHALL F	TRI CITY MEDICAL CLINIC, 830 NORTH 2000 WEST 84062-0000	(801) 756-3511	*	20329	1999	Family Practice/General Practice

PROVO

		UTAH					
P	HOLMES, RICHARD J	2230 N UNIVERSITY PARK WAY #1A 84604-0000	(801) 377-3413	20075	1996	Family Practice/General Practice	

SALT LAKE CITY

		SALT LAKE					
	MUSE, DEREK D.	4460 S HIGHLAND DR #400 84124-0000	(801) 272-4111	*	10980	1993	Family Practice/General Practice
	JEPPSON, TAYLOR A	3920 SOUTH 11TH EAST SUITE 220 84124-0000	(801) 268-2584	*	18864	1985	Family Practice/General Practice
	HARDY, MICHAEL K.	WORK CARE, 2390 SOUTH REDWOOD ROAD 84119-	(801) 975-1600	02322	2006	Occupational/Industrial Medicine	
	OLSEN, CARLA H.	WORK CARE, 2390 SOUTH REDWOOD ROAD 84119-	(801) 975-1600	02318	2006	Occupational/Industrial Medicine	
	ARCHULETA, LETITIA	WORKCARE, 8TH AVE & C STREET 84103-0000	(801) 408-1396	*	20339	1999	Occupational/Industrial Medicine
	RASMUSSEN, BRIAN C.	HOLLADAY FAMILY PRACTICE, 3920 S 1100 E #220 84124-	(801) 268-2584	02350	2007	Family Practice/General Practice	
	MATTINGLY, DEBORAH L	WORKCARE, 2390 S REDWOOD RD 84119-0000	(801) 975-1600	*	01853	2002	Occupational/Industrial Medicine
A P	GIBBONS, HARRY L	LDS HOSPITAL, C/O FITNESS INSTITUTE 8TH AVE & C STREET 84103-0000	(801) 277-5128	*	04517	1961	Aerospace Medicine
P	ALBANO, JOSEPH J	TOSH, 5848 SOUTH FASHION BLVD 84107-0000	(801) 314-4020	*	20391	2001	Family Practice/General Practice
	COLEMAN, STEPHEN D	FOOTHILL FAMILY MED CLNC, 6360 S 3000 EAST STE 100 84121-0000	(801) 365-1032	20345	1999	Family Practice/General Practice	
	ARCHULETA, LETITIA	WORKCARE, 2390 SO REDWOOD RD 84119-0000	(801) 975-1600	*	20339	1999	Occupational/Industrial Medicine
	ANDERSON, MARK V	2390 S REDWOOD RD 84119-0000	(801) 975-1600	*	19934	1987	Occupational/Industrial Medicine
P	CHANDLER JR. SWITHIN	BEEHIVE MED BLDG, 6069 S HIGHLAND DR #B 84121-1375	(801) 272-4495	*	01977	1958	Family Practice/General Practice

SANDY

		SALT LAKE					
	CLARK, S. CORBIN	ALTA VIEW UROLOGY CLINIC, 9690 SOUTH 1300 EAST STE 100 84094-0000	(801) 571-5121	*	20357	2000	Urology

SOUTH JORDAN

		SALT LAKE					
	TURNER, BRYAN W	10393 S 1300 W STE 102 84095-	(801) 302-5827	02039	2005	Family Practice/General Practice	

ST GEORGE

		WASHINGTON					
P	SYMOND, MICHAEL D	190 S 100 E 84770-3423	(435) 986-9483	*	18850	1996	Family Practice/General Practice

WEST VALLEY

		SALT LAKE					
	MORRIS III, RAY	BENITA MEDICAL LLC, 3465 SOUTH 4155 WEST STE 2 84120-0000	(801) 963-7636	20341	1999	Family Practice/General Practice	

WASHINGTON

ANACORTES

		SKAGIT					
P	BECKER, LAWRENCE D.	9586 PADILLA HTS 98221-0000	(360) 293-7771	20074	1996	Anesthesiology	
	BOGOSIAN, ARMEN J	5010 TOTEM TRAIL RD 98221-9018	(360) 293-2760	*	17100	1980	Anesthesiology

ARLINGTON

		SNOHOMISH					
P	THULINE, DALE N.	3131 SMOKEY POINT DR STE J 98223-0000	(360) 653-5960	*	18858	1985	Family Practice/General Practice

WASHINGTON - (Cont.)

AUBURN		KING							
	REEDY, R GRAHAM	1314 8TH ST NE STE 101 98002-0000	(253) 804-2788	*	14615	1976	Family Practice/General Practice		
	CRIDDLE, KEITH J	202 N DIVISION STE 405 98001-0000	(253) 939-3604		18872	1986	Family Practice/General Practice		
P	STUMPP, DENNIS A	VALLEY OCCUP HEALTH SERVICES, 1000 AUBURN WAY S 98002-0000	(253) 395-2002	*	01840	2002	Occupational/Industrial Medicine		
BELFAIR		MASON							
	LYON, LAWRENCE	70 B NE MEDICAL CTR RD PO BOX 3121 98528-	(360) 275-9833		01988	2004	Family Practice/General Practice		
BELLEVUE		KING							
P	ANDERSON, ARTHUR M	9047 NE 41ST 98004-1226	(425) 454-6056	*	11582	1990	Cardiology		
	GRIMES JR., WILLIAM T.	12443 BEL RED RD SUITE 390 98005-	(425) 785-1236	*	18807	1984	Internal Medicine		
	GREENBLATT, LAWRENC	1407 116TH AVE NE #102E 98004-3819	(425) 637-0636	*	17062	1979	Family Practice/General Practice		
	KRAFT, DENISE S.	1200 112TH AVE. NE, STE. C160 98004-0000	(425) 453-1039	*	11401	1989	Family Practice/General Practice		
	JONES, CALVIN T.	HEALTHFORCE OCC MED, 13033 NE BEL-RED ROAD, STE. 110 98005-	(425) 468-6500	*	20324	1998	Occupational/Industrial Medicine		
BELLINGHAM		WHATCOM							
	TISDALL, JOHN R	1815 C ST SUITE J-35 98225-4017	(360) 671-7017	*	18050	1980	Ophthalmology		
	SMITH, ERIC S.	3015 SQUALICUM STE 220 98225-1898	(360) 676-1693	*	18865	1985	Occupational/Industrial Medicine		
	AMBROSE, PETER M.	3015 SQUALICUM PKWY SUITE 220 98225-1898	(360) 676-1693	*	11879	1990	Internal Medicine		
BREMERTON		KITSAP							
	FERMAN, WILLIAM B	1310 BERTHA AVE., STE. A 98312-0000	(360) 373-0200	*	10999	1993	Family Practice/General Practice		
CASTLE ROCK		COWLITZ							
	AYOUB, ANWAR F.	CASTLE ROCK PEDIATRICS, & FAMILY WELLNESS CENTER 139 FIRST AVE PO BOX 160 98611-0160	(360) 274-2353		02309	2005	Family Practice/General Practice		
CATHLAMET		WAHKIAKUM							
P	WRIGHT, KEITH J.	WAHKIAKUM FAMILY PRACTICE CLINIC, 335 UNA AVE PO BOX 398 98612-	(360) 795-3201		02315	2005	Family Practice/General Practice		
CENTRALIA		LEWIS							
P	SMITH, FLOYD D.	CENTRALIA MED CTR, 1800 COOKS HILL RD 98531-0000	(360) 330-2023		18808	1984	Internal Medicine		
P	HENNESSEY, STEPHEN I	1720 COOKS HILL RD. 98531-	(406) 538-6262		02011	2004	Aerospace Medicine		
CHEHALIS		LEWIS							
	MILLER, HARLEY D	STECK MEDICAL GROUP, 1299 BISHOP RD POB 1267 98532-8758	(360) 740-4183	*	04282	1965	Family Practice/General Practice		
CLE ELUM		KITTITAS							
P	ANDERSON, JOHN C.	201 ALPHA WAY 98922-1045	(509) 674-5331	*	18735	1982	Family Practice/General Practice		
COLFAX		WHITMAN							
	PARSONS, MARK E	WHITMAN MEDICAL GROUP, 1210 WEST FAIRVIEW ST 99111-0000	(509) 397-4717		20390	2001	Family Practice/General Practice		
COLVILLE		STEVENS							
	HERMAN, JOHN P	1200 EAST COLUMBIA 99114-3354	(509) 684-3701		09726	1967	Family Practice/General Practice		
DAVENPORT		LINCOLN							
P	ST CLAIR, ROBERT C	100 3RD ST 99122-0000	(509) 725-7501		14700	1994	Family Practice/General Practice		
EASTSOUND		SAN JUAN							
P	SHINSTROM, DAVID C.	ORCAS FAMILY PHYSICIANS, 1286 MT. BAKER RD STE B102 98245-1269	(360) 376-7778		18052	1980	Family Practice/General Practice		
	GIEFER, ANTHONY J	ORCAS, 7 DEYE LANE PO BOX 1269 98245-	(360) 376-2561		18458	2007	Family Practice/General Practice		
EDMONDS		SNOHOMISH							
	HANSON, MARK T.	7315 212TH ST SW #101 98020-0000	(425) 775-9474	*	14637	1977	Family Practice/General Practice		
P	SUMME, JEFF LYLE	SUMME MEDICAL CLINIC, 7614 195TH ST SW STE 200 98026-	(425) 744-0709		20298	1997	Family Practice/General Practice		
P	WALTZ, RONALD N.	21616 76TH AVE W, STE.109 98026-0000	(425) 670-6788	*	17074	1979	Family Practice/General Practice		
P	HOCHBERG, HENRY M	22721 76 AVE W SUITE B 98026-0000	(425) 672-2427		01862	2002	Family Practice/General Practice		
ELLENSBURG		KITTITAS							
	DEPALMA, ARTHUR E	STUDENT HEALTH CENTER, 400 E UNIVERSITY WAY 98926-7585	(509) 963-1874	*	13605	1991	Family Practice/General Practice		
EPHRATA		GRANT							
	ALLRED, LOWELL C	EPHRATA MEDICAL CENTER 508 W DIVISION 98823-0000	(509) 754-3563	*	13890	1994	Family Practice/General Practice		
EVERETT		SNOHOMISH							
	FRANKE, RANDAL C	HEALTHFORCE OCC MED, 11001 31ST PLACE W STE 1 98204-0000	(425) 267-0299	*	10978	1993	Aerospace Medicine		
	STEWART, HAROLD V.	GROUP HEALTH COOPERATIVE, EVERETT MEDICAL CENTER 2930 MAPLE STREET 98201-	(425) 261-1500		02343	2007	Occupational/Industrial Medicine		
P	HENRIKSEN, GARY L	10108 32ND AVE WEST STE C 98204-	(253) 549-6874	*	20286	1997	Aerospace Medicine		

WASHINGTON - (Cont.)

FEDERAL WAY		KING						
P	KOSS, GEORGE W	720 S 320TH ST STE A 98003-5254	(253) 831-4100	*	08764	1963	Family Practice/General Practice	
	QUICK, MATTHEW B	FEDERAL WAY MEDICAL CENTER, 301 S. 320TH STREET 98003-	(253) 874-7018		01916	2003	Family Practice/General Practice	
	ROCHIER, DENNIS B.	33501 FIRST WAY SOUTH 98003-	(253) 874-1601		02334	2007	Internal Medicine	
	CHAFFEE, JOHN R	UW PHYSICIANS FEDERAL WAY CLNC, 32018 23RD AVE SOUTH 98003-0000	(206) 520-1700	*	01901	2002	Family Practice/General Practice	
FIFE		PIERCE						
	HARMON, KIRK THOMAS	502 54TH AVE EAST 98424-	(253) 459-7525	*	13144	1991	Internal Medicine	
P	URAGA, NICK W.	4703 PACIFIC HWY E 98424-2638	(253) 922-9570	*	18856	1985	Family Practice/General Practice	
FRIDAY HARBOR		SAN JUAN						
	MAHONEY, SUSAN M	INTER ISLAND MEDICAL CENTER, 550 WEST SPRING ST PO BOX 370 98250-0000	(360) 378-2141		01890	2002	Family Practice/General Practice	
GIG HARBOR		PIERCE						
	PINGREY, GARY R.	4700 POINT FOSDICK DR NW STE #220 98335-1706	(253) 851-5121	*	10956	1992	Family Practice/General Practice	
P	BABSON, THOMAS F.	3417 HARBORVIEW DR STE 101 98335-	(253) 851-3390		02345	2007	Emergency Medicine	
	STUART, ROBERT E.	4700 POINT FOSDICK DR NW STE 310 98335-	(253) 853-2150		02031	2004	Family Practice/General Practice	
P	MORSE, JEFFREY W.	3417 HARBORVIEW DR STE 101 98335-	(253) 851-3390		02348	2007	Emergency Medicine	
ISSAQUAH		KING						
	WARRICK, DELILAH	UW PHYSICIANS-ISSAQUAH, 1455 11TH AVE NW 98027-0000	(425) 391-3900		01819	2001	Family Practice/General Practice	
KENNEWICK		BENTON						
P	WOODS, DONALD E.	5219 CLEARWATER #15 99336-7747	(509) 783-3744	*	08747	1963	Family Practice/General Practice	
KENT		KING						
P	RANNIGER, DAN E	13210 SOUTH EAST 240TH ST #A-6 98042-0000	(253) 854-9570	*	06255	1960	Family Practice/General Practice	
	CHOUDHARY, RANU	104TH AVE MED CLNC, 24604 104TH AVE. SE, STE. 202 98030-0000	(253) 859-8371	*	20366	2000	Internal Medicine	
KIRKLAND		KING						
	MARINKOVICH, FRANK F.	EASTSIDE FAMILY HEALTH CENTER P.D., 11821 NE 128TH ST STE D 98034-0000	(425) 899-2525		02347	2007	Internal Medicine	
LONGVIEW		COWLITZ						
	BRIGMAN, LANCE DEE	1004 FIR STREET 98632-2544	(360) 423-6110		18800	1984	Family Practice/General Practice	
	THOMPSON, CRAIG F	COLUMBIA RIVER OCCUP HEALTH, 803 VANDERCOOK WAY #2 98632-	(360) 414-8818	*	20332	1999	Occupational/Industrial Medicine	
LOPEZ ISLAND		SAN JUAN						
	WILSON, ROBERT A	LOPEZ ISLAND MED CLNC, 103 WASHBURN LN 98261-0000	(360) 468-2245		20359	2000	Family Practice/General Practice	
LYNDEN		WHATCOM						
	PETERSEN, L DANA	1610 GROVER STREET SUITE D-1 98264-0000	(360) 354-1333		18060	1981	Family Practice/General Practice	
LYNNWOOD		SNOHOMISH						
	PHAN, DANIEL V	VVMD, 6508 196TH ST SW 98036-5922	(425) 673-2572	*	20360	2000	Internal Medicine	
MOSES LAKE		GRANT						
	KEARNS, DENNIS P.	MOSES LAKE CLINIC, 844 HILL 98837-0000	(509) 765-2929		13985	1992	Family Practice/General Practice	
	GRAHAM, E MICHAEL	840 HILL STREET 98837-0000	(509) 765-0216	*	19932	1987	Internal Medicine	
MOUNT VERNON		SKAGIT						
	ANDERSON, MARSHALL	1400 E KINCAID ST 98274-	(360) 848-4150		20395	2001	Occupational/Industrial Medicine	
MOUNTLAKE TERRACE		SNOHOMISH						
	LY, KEITH K	BALLINGER CLINIC, 6007-B 244 ST SW 98043-	(425) 673-8000		01912	2003	Family Practice/General Practice	
NEWMAN LAKE		SPOKANE						
	LLOYD-DAVIES, STEPHEI	5024 N. POWELL RD. 99025-	(509) 220-6958	*	01940	2003	Family Practice/General Practice	
OAK HARBOR		ISLAND						
P	BIBBY, CHRISTOPHER J	WHIDBEY COMMUNITY PHYSICIANS, 275 SE CABOT DR STE B 101 98277-0000	(360) 675-6648	*	20380	2001	Family Practice/General Practice	
OLYMPIA		THURSTON						
P	WAITE, BRADLEY E	410 A BLACK HILLS LN SW 98502-	(360) 252-2425	*	14139	1992	Aerospace Medicine	
	EDWARDS, CURTIS J	4310 FOXHALL DR NE 98516-0000	(360) 923-0476	*	01816	2001	General Surgery	
OTHELLO		ADAMS						
P	BUNCH, RICHARD P	PO BOX 546475 NORTH 14TH STREET 99344-1228	(509) 488-6644		14569	1975	Family Practice/General Practice	

WASHINGTON - (Cont.)

PORT ANGELES

P FAIRSHTER, JACOB J 306 E FRONT ST 98362-0000
 REDLIN, MARK S. 433 E EIGHTH ST 98362-6219
 P KINTNER, WILLIAM R. 433 EAST EIGHTH STREET 98362-6219

(360) 457-3451 * 03551 1949 Family Practice/General Practice
 (360) 452-3373 * 04442 1986 Family Practice/General Practice
 (360) 452-3373 * 18719 1982 Family Practice/General Practice

PORT TOWNSEND

BRINGGOLD, BRADLEY A 934 SHERIDAN 98368-0000

(360) 385-3500 * 04479 1991 Family Practice/General Practice

POULSBO

LUDWIG JR, ROGER D 19245 7TH AVENUE 98370-7504
 A P HADLEY, KARL D 19245 7TH AVE 98370-0000

(360) 782-3513 * 20369 2000 Aerospace Medicine
 (360) 779-4462 * 18828 1984 Family Practice/General Practice

PUYALLUP

SINDEN, DONALD L 3908 10TH ST SE STE 200 98374-0000
 GARNER, CYNTHIA A H 1430 3RD ST SE 98372-

(253) 848-5951 * 20073 1995 Family Practice/General Practice
 (253) 435-4100 01954 2003 Family Practice/General Practice

REDMOND

SCHNEBLE, WILLIAM J. 8105 166TH AVE NE STE 202 98052-3999

(425) 885-6200 * 18080 1981 Internal Medicine

RENTON

P STRAUB, HOWARD N. THE EYE CENTER, 3915 TALBOT RD SOUTH STE 100
 98055-5783
 P STRAUB, HOWARD N. THE EYE CENTER, 3915 TALBOT RD S STE 209 98055-

(425) 656-5345 * 10957 1992 Ophthalmology
 (425) 656-5345 * 10957 1992 Ophthalmology

RICHLAND

P SMITH, STEPHEN L. 1901 GEORGE WASHINGTON WAY STE E 99354-
 P COKER, MARTIN J. PHYSICIANS IMMEDIATE CARE & MED CTRS, 1516 JADWIN
 AVE 99354-
 P KALICHMAN, WILLIAM D. LESLIE-GAGE MEDICAL CENTER, 560 GAGE BLVD, STE. 101
 99352-

(509) 943-2101 18830 1984 Emergency Medicine
 (509) 946-1695 02349 2007 Family Practice/General Practice
 (509) 628-2843 03555 2004 Internal Medicine

SEATTLE

GARDNER, BRUCE QUEEN ANNE FAMILY MEDICINE, 1915 QUEEN ANNE AVE N
 98109-
 P PELLERIN, RICHARD A 4100 SW ADMIRAL WAY 98116-0000
 JOHNSON, MAUREEN GROUP HLTH COOPERATIVE, 201 16TH AVE E CMB-D138
 98112-0000
 P GILMORE, TIMOTHY M 200 FIFTEENTH AVE E 98112-0000
 CHOI, JACK HIGHLINE WEST SEATTLE FAMILY MEDICINE, 4744 41 AVE
 SW SUITE 101 98116-
 P NIXON, JOHN E 16110 8TH AVE SW BLDG B-3 98166-0000
 NAYAN, ALVIN S THE WORK CLINIC, 13030 MILITARY RD SOUTH STE 100
 98168-0000
 SZALAY, ANDREW G 7210 ROOSEVELT WAY NE 98115-0000
 WILSON, CLYDE H HEALTH FORCE OCC MED, 3223 FIRST AVE SOUTH STE C
 98134-1850
 MORRIS, GABRIELLE US HEALTHWORKS, 1151 DENNY WAY 98109-
 P WILSON, CHARLES L 5402 47TH AVE NE 98105-0000
 PALERMO JR, JOSEPH T STUDENT HEALTH CENTER, 10564 FIFTH AVE NE STE 201
 98125-7200
 OKEEFFE, KEVIN M 726 BROADWAY STE 201 98122-4303
 P BENSINGER, WILLIAM I 8684 ISLAND DRIVE SOUTH 98118-5225
 P DEAL, THOMAS J 5343 TALLMAN AVENUE NW 98107-3933

(206) 284-6132 10970 2006 Family Practice/General Practice
 (206) 932-0070 * 18833 1984 Family Practice/General Practice
 (206) 326-3661 * 20275 1997 Internal Medicine
 (206) 326-3661 * 18879 1986 Occupational/Industrial Medicine
 (206) 933-1041 02307 2005 Family Practice/General Practice
 (360) 588-1341 * 03485 1960 Emergency Medicine
 (206) 243-9675 01959 2003 Occupational/Industrial Medicine
 (206) 320-3400 01926 2003 Family Practice/General Practice
 (206) 624-3651 * 20402 2001 Occupational/Industrial Medicine
 (206) 682-7418 * 20398 2001 Occupational/Industrial Medicine
 (206) 525-4090 20372 2000 Family Practice/General Practice
 (206) 367-1222 * 14463 1992 Internal Medicine
 (206) 682-2234 * 11508 1988 Occupational/Industrial Medicine
 (206) 723-9693 * 17025 1978 Internal Medicine
 (206) 789-5555 13899 1994 Family Practice/General Practice

SEDRO WOOLLEY

P KARTMAN, ADAM A PHYSICIANS CARE FAMILY MEDICINE, 19999 HOSPITAL DR
 98284-0000
 STICKLE, HERBERT EDW PHYSICIANS CARE FAMILY MEDICINE, 1990 HOSPITAL DR
 98284-0000

(360) 856-4141 * 20303 1998 Family Practice/General Practice
 (360) 856-4141 * 20333 1999 Family Practice/General Practice

SEQUIM

BERRY III, ALLEN L JAMESTOWN FAMILY HEALTH CLINIC, 777 NORTH 5TH AVE.
 98382-

(360) 582-2880 18871 1986 Family Practice/General Practice

SHELTON

WEBER, TIMOTHY J. 939 MOUNTAIN VIEW DR STE 100 98584-4400

(360) 426-2653 12488 1991 Family Practice/General Practice

SHORELINE

P JENSEN, ERIC H 1306 N 175TH AVE STE 111 98133-5019

(206) 542-2149 * 09545 1965 Family Practice/General Practice

SILVERDALE

P BLISS, DONALD G 4409 NW ANDERSON HILL RD 98383-0000

(360) 698-6630 * 20370 2000 Family Practice/General Practice

SNOHOMISH

P BROWN, MICHAEL L. 9900 AIRPORT WAY MEDICAL DIVISION 98296-0000

(360) 568-1541 * 10967 1992 Family Practice/General Practice

WASHINGTON - (Cont.)

SPOKANE

P	MONROE, PHILIP L	NORTH 1414 VERCLER RD BLDG #2 99216-1093	(509) 928-6434	*	14572	1975	Family Practice/General Practice
	GRAY, WILLIAM L	NORTH 1414 VERCLER BLDG #5 99216-1092	(509) 924-8721	*	18878	1986	Family Practice/General Practice
P	HERSHEY, JOHN E	5904 N DIVISION ST 99208-1026	(509) 489-1150	*	13902	1981	General Surgery
P	CONDON, DONALD F	9631 N NEVADA ST STE 202 99218-1133	(509) 467-1100	*	18101	1981	Family Practice/General Practice
P	FERRARO, ANGELO S	HEART CLINICS NORTHWEST, 112 W 7TH AVE STE 310 99204-0000	(509) 838-7711	*	01874	2002	Cardiology
A P	GILMAN, DAVID C	NORTH 1414 VERCLER BLDG 4 99216-1024	(509) 924-4681	*	18057	1981	Family Practice/General Practice

SPOKANE

TACOMA

P	BILLINGSLEY, JAMES G	2420 S.UNION AVE., STE. 240 98405-0000	(253) 572-0370	*	09960	1970	Family Practice/General Practice
P	LUKENS, DAVID L	1802 SOUTH YAKIMA SUITE 304 98405-5305	(253) 572-7101	*	13932	1972	Family Practice/General Practice
P	PATTISON, BRADLEY D.	CARE AVETON, 2420 UNION AVE. S, STE. 240 98405-0000	(253) 272-7407	*	11686	1990	Anesthesiology
	ALINEA, MARIO G.	MULTICARE HEALTHWORKS, 1901 S UNION AVE STE A203 98407-	(253) 459-6811		02033	2005	Family Practice/General Practice
	DARBY, PAUL S	FRANCISCAN OCCUP HEALTH, 1930 PORT OF TACOMA RD 98421-0000	(253) 272-6677	*	01919	2003	Occupational/Industrial Medicine

PIERCE

TENINO

JUMP, LEYTON E.	TENINO FAMILY PRACTICE, 297 E SUSSEX POB 4020 98589-0000	(360) 264-5665	10954	1992	Family Practice/General Practice
-----------------	---	----------------	-------	------	----------------------------------

THURSTON

TOPPENISH

P	SMITH, FRANK L	516 WEST FOURTH AVE 98948-0000	(509) 865-2500		19563	1985	General Surgery
---	----------------	--------------------------------	----------------	--	-------	------	-----------------

YAKIMA

TUKWILA

JONES, CALVIN T.	HEALTHFORCE OCC MED, 6720 FORT DENT WAY STE 110 98188-0000	(206) 242-3651	*	20324	1998	Occupational/Industrial Medicine
MORRIS, GABRIELLE	US HEALTHWORKS, 200 ANDOVER PARK E. STE 8 98188-	(206) 575-3136	*	20398	2001	Occupational/Industrial Medicine

KING

TUMWATER

PACKER, BRENT C	712C TROSPER RD. SW MAILING: 120 STATE AVE. NE #284, OLYMPIA,WA 98501 98512-	(701) 610-1046	*	01821	2003	Family Practice/General Practice
-----------------	---	----------------	---	-------	------	----------------------------------

THURSTON

UNION GAP

P	TRUHLER, TERRENCE D	2 E VALLEY MALL BLVD 98903-0000	(509) 453-1770	*	18771	1983	Family Practice/General Practice
---	---------------------	---------------------------------	----------------	---	-------	------	----------------------------------

YAKIMA

VANCOUVER

FOLTZ, LAWRENCE E	NORWEST PHYSICIANS CLINIC LLC, 406 S E 131ST AVE STE 203B 98683-0000	(360) 254-4402	*	10991	1993	Family Practice/General Practice	
P	COPPOCK, MICHAEL A	700 NE 87TH AVENUE 98664-1998	(360) 254-1240	*	13898	1994	Internal Medicine
	PROANO, FERNANDO D.	14201 NE 20TH AVE STE 3101 - ATTN: JESSICA 98686-0000	(360) 571-9799	*	20883	1998	Family Practice/General Practice
	KRETSCHMAR, PAUL O	700 NORTHEAST 87TH AVENUE 98664-1913	(360) 254-1240	*	06585	1961	Internal Medicine
P	THORNTON, ROBERT D	NW OCCUPATIONAL MED CLINIC, 4421 NE ST JOHNS STE D 98661-0000	(360) 694-9099		10997	1993	Occupational/Industrial Medicine
	THOMPSON, CRAIG F	COLUMBIA RIVER OCCUP HEALTH, 2105 NE 129 STREET STE 107 98686-0000	(360) 891-4900	*	20332	1999	Occupational/Industrial Medicine
P	FOSTER-OLSON, CLAUDI	THE VANCOUVER CLINIC, 700 NE 87TH AVE 98664-1998	(360) 253-1405		02331	2006	Family Practice/General Practice
	VALBUENA, MICHAEL A.	THE VANCOUVER CLINIC, 700 NE 87TH AVE 98664-	(360) 253-1285	*	02028	2004	Internal Medicine

CLARK

WALLA WALLA

P	SHANNON, JOHN P	301 W POPLAR STE 50 99362-2834	(509) 522-5765	*	14628	1977	General Surgery
	FACKENTHALL, JOHN A	1312 EAST ISAACS 99362-0000	(509) 525-4100	*	14612	1976	Family Practice/General Practice

WALLA WALLA

WENATCHEE

P	ROSS, TOM L	707 NORTH EMERSON STREET 98801-0000	(509) 662-6109	*	18075	1992	Family Practice/General Practice
P	BASSETT, GERALD A	175 E. PENNY RD STE C 98801-0000	(509) 664-0530	*	10996	1993	Internal Medicine

CHELAN

YAKIMA

P	TRUHLER, TERRENCE D	4001 TIETON DR 98908-0000	(509) 965-1770	*	18771	1983	Family Practice/General Practice
---	---------------------	---------------------------	----------------	---	-------	------	----------------------------------

YAKIMA

ZILLA

P	DONALDSON, WALLACE	102 N SIXTH ST PO BOX 1529 98953-0000	(509) 829-5699	*	14118	1972	Family Practice/General Practice
---	--------------------	---------------------------------------	----------------	---	-------	------	----------------------------------

YAKIMA

WYOMING

BUFFALO

KIRVEN, LAWRENCE E.	JOHNSON CO HLTH CARE CTR, 497 W LOTT ST 82834-0000	(307) 684-2228	*	20310	1998	Family Practice/General Practice
---------------------	--	----------------	---	-------	------	----------------------------------

JOHNSON

CASPER

P	BRUBAKER, E LEE	1311 E THIRD STREET 82601-2934	(307) 265-2772	*	14103	1971	Family Practice/General Practice
P	ISAACS, BRANDON G.	UNIVERSITY OF WYOMING, FAMILY PRACTICE ASSOC -CASPER 1522 EAST A ST 82601-	(307) 233-6000		02022	2004	Family Practice/General Practice
P	TOEWS, BERTON J	231 S WILSON 82601-0000	(307) 265-3791	*	19925	1987	Family Practice/General Practice

NATRONA

WYOMING - (Cont.)

CHEYENNE

P HALLER, JAMES G
P BABSON, JOHN H
PERAKOS, PETER G

123 COLE SHOPPING CENTER 82001-0000
1331 PRAIRIE AVENUE SUITE 1 82009-4841
5050 POWDERHOUSE ROAD 82009-4800

(307) 634-8802 * 09610 1966 Family Practice/General Practice
(307) 632-0728 * 18867 1986 Family Practice/General Practice
(307) 634-1311 12835 1991 Internal Medicine

CODY

P MC CUE, GREGORY P
MORTON, DOUGLAS E

201 YELLOWSTONE AVE 82414-0000
CODY FAMILY PRACTICE, 201 YELLOWSTONE AVE
82414-0000

(307) 527-7561 * 18793 1983 Family Practice/General Practice
(307) 527-7561 01823 2001 Family Practice/General Practice

DOUGLAS

MORGAN, JAMES F

111 SOUTH 5TH STREET 82633-0000

(307) 358-9844 15825 1994 Family Practice/General Practice

GILLETTE

P NARAMORE, JAMES J

407 SOUTH MEDICAL ARTS COURT SUITE D 82716-3365

(807) 686-0308 18890 1986 Family Practice/General Practice

GREYBULL

PULL, JOEL M

444 GREYBULL AVE 82426-

(307) 765-2233 01855 2002 Family Practice/General Practice

JACKSON

P BLUE, BRENT A
A P SUGDEN, RICHARD G

PO BOX 15240 982 WEST BROADWAY 83002-0000
PO BOX 2468 83001-2468

(307) 733-8002 * 18733 1982 Emergency Medicine
(307) 733-7771 * 14717 1976 Family Practice/General Practice

LANDER

P GULLICKSON, DONALD A

LANDER MED CLNC, 745 BUENA VISTA 82520-3449

(307) 332-2941 * 14147 1972 Internal Medicine

LOVELL

P BAUMSTARCK JR., JOSEI

STRONG TREE CLINIC, 342 E MAIN 82431-0000

(307) 548-7092 * 20294 1998 Family Practice/General Practice

LUSK

P HUITT, CARLTON D

225 SOUTH MAIN STREET PO BOX 360 82225-0000

(307) 334-3242 * 08724 1963 Family Practice/General Practice

NEWCASTLE

REIMER, LANNY B.

CEDAR HILLS FAM CLNC, 1121 WASHINGTON BLVD
82701-0000

(307) 746-3582 18834 1984 Family Practice/General Practice

SHERIDAN

STRAHAN, MICHAEL J

1333 WEST 5TH STE 103 82801-0000

(307) 672-8921 11911 1990 Family Practice/General Practice

THERMOPOLIS

P WILLSON, HOWARD T

GOTTSCHKE REHAB CENTER, PO BOX 710 203 EAST
ARAPAHOE 82443-0000

(307) 864-2146 * 14749 1977 Family Practice/General Practice

TORRINGTON

P SCHMITZ, G. DOUGLAS

665 ALBANY AVE 82240-1530

(307) 532-5141 12949 1991 General Surgery

LARAMIE

PARK

CONVERSE

CAMPBELL

BIG HORN

TETON

FREMONT

BIG HORN

NIOBRARA

WESTON

SHERIDAN

HOT SPRINGS

GOSHEN