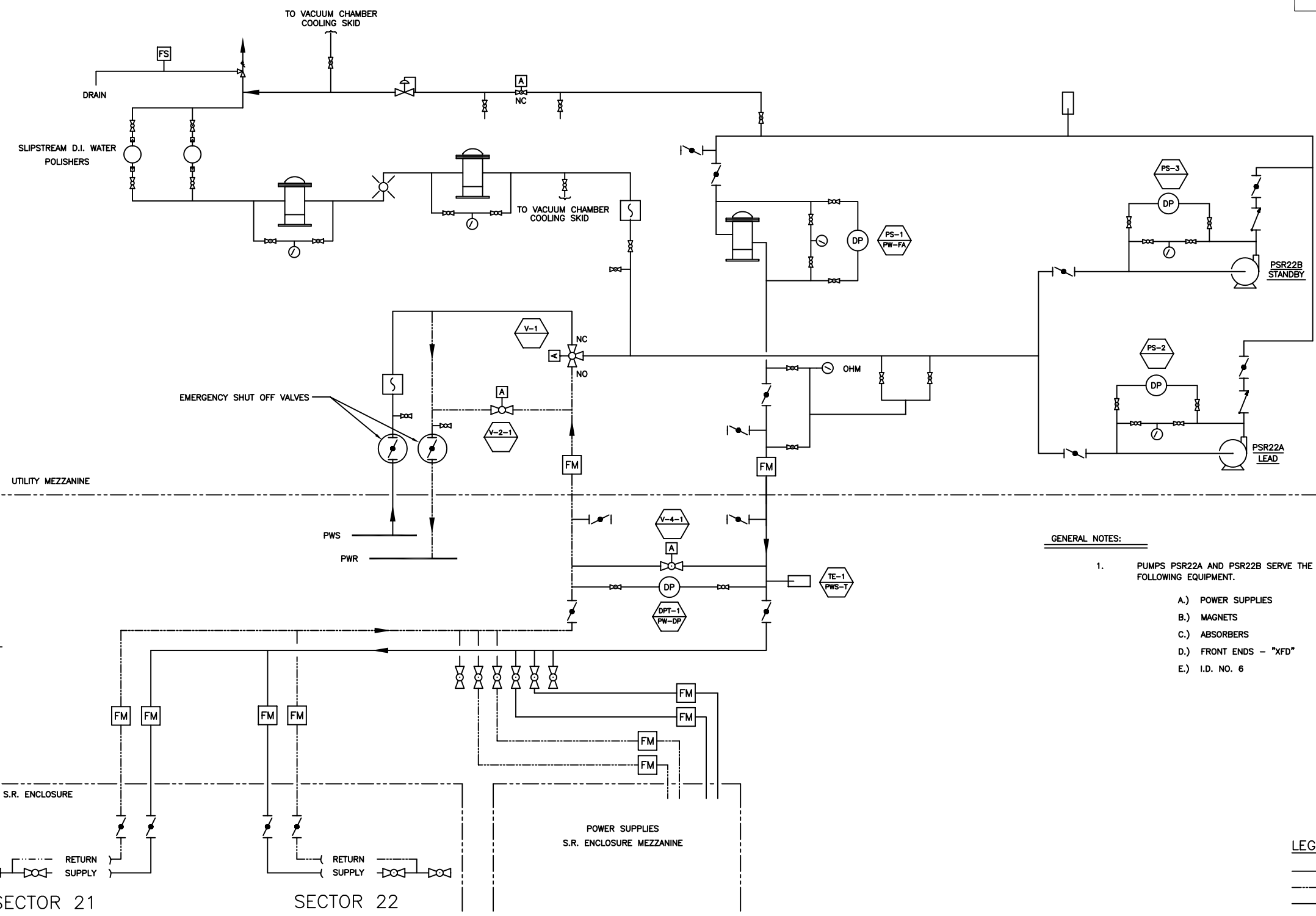


REVISIONS					
ZONE	REV	DESCRIPTION	BY	APPROVED	DATE
	01	PUMP NAMES CHANGED PER DCN 960710-03	HPC		



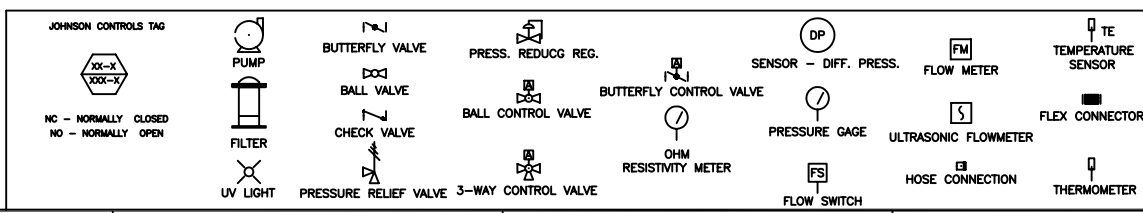
- GENERAL NOTES:**
- PUMPS PSR22A AND PSR22B SERVE THE FOLLOWING EQUIPMENT.
 - A.) POWER SUPPLIES
 - B.) MAGNETS
 - C.) ABSORBERS
 - D.) FRONT ENDS - "XFD"
 - E.) I.D. NO. 6

- LEGEND:**
- SUPPLY LINE
 - - - RETURN LINE
 - INSTRUMENTATION LINE

PUMPS P-SR22A AND PSR22B SECTORS 21 AND 22

NO SCALE

NOTE: THIS DRAWING ORIGINALLY FACILITY DRAWING NUMBER J0400-1185-E-P011 SHEET 11 OF 20



ITEM	DRAWING / PART NUMBER	NOMENCLATURE OR DESCRIPTION	MATERIAL / SPEC	QTY
PARTS LIST / BILL OF MATERIALS				
UNLESS OTHERWISE SPECIFIED: ALL DIMENSIONS ARE IN INCHES		DRAWN BY: H.P. CZERWINSKI CHECKED BY: E. SWETIN DESIGNED BY: SWETIN EUGENE RESPONSIBLE ENGINEER: SWETIN EUGENE GROUP LEADER: S. SHARMA APPROVED BY:	DATE: 01/10/96 DATE: 2/22/96 DATE: 2/22/96 DATE: 2/23/96 DATE:	THIS DRAWING IS THE PROPERTY OF ARGONNE NATIONAL LABORATORY ADVANCED PHOTON SOURCE TITLE: PIPING & INSTRUMENT DIAGRAM PIPING & INSTRUMENT DIAGRAM EXPERIMENTAL HALL SECTORS 21 & 22 PUMPS PSR22A & PSR22B
TOLERANCES: DECIMALS: .X ±.1 .XX ±.01 .XXX ±.005 SURFACE ROUGHNESS: 125 REMOVE ALL BURRS AND BREAK SHARP EDGES .03 MAX. SURFACE TEXTURE TO BE IN ACCORDANCE WITH LATEST ANSI B46.1 DIMENSIONING & TOLERANCING IN ACCORDANCE WITH LATEST ANSI Y14.5		MATERIAL: SEE PART LIST ELECTRONIC FILE NAME: A2403001	APPROVED BY: DATE: SCALE: 1:1 APPROVED BY: DATE:	DRAWING NUMBER: 31-101100 REV: 01 DO NOT SCALE DRAWING SHEET: 1 of 1