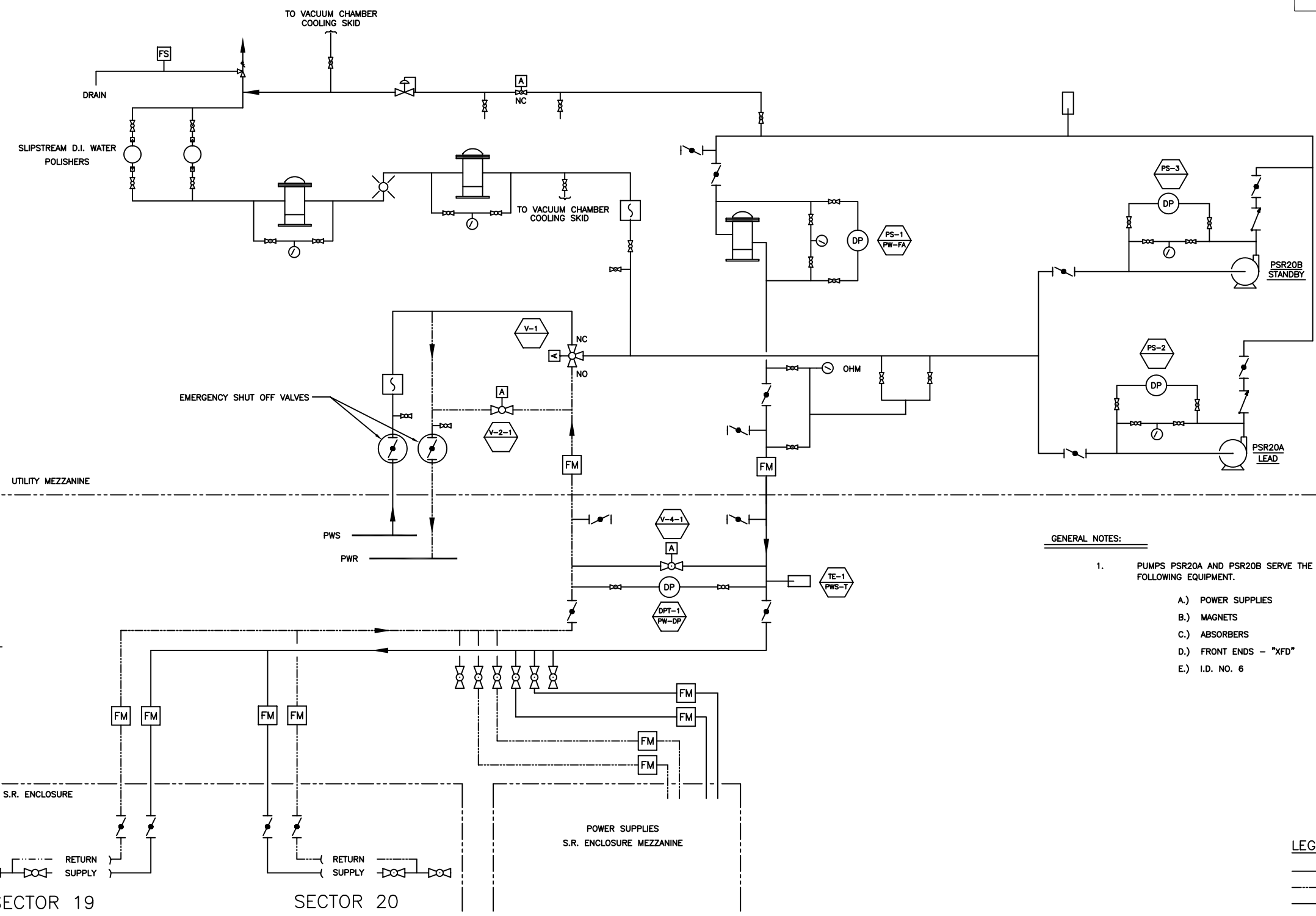


REVISIONS					
ZONE	REV	DESCRIPTION	BY	APPROVED	DATE
	01	PUMP NAMES CHANGED PER DCN 960710-03	HPC		



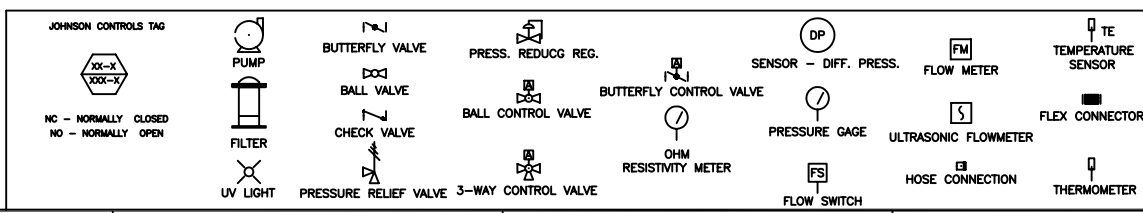
- GENERAL NOTES:**
- PUMPS PSR20A AND PSR20B SERVE THE FOLLOWING EQUIPMENT.
 - A.) POWER SUPPLIES
 - B.) MAGNETS
 - C.) ABSORBERS
 - D.) FRONT ENDS - "XFD"
 - E.) I.D. NO. 6

- LEGEND:**
- SUPPLY LINE
 - - - RETURN LINE
 - INSTRUMENTATION LINE

PUMPS PSR20A AND PSR20B SECTORS 19 AND 20

NO SCALE

NOTE: THIS DRAWING ORIGINALLY FACILITY DRAWING NUMBER J0400-1184-E-P010 SHEET 10 OF 20



ITEM	DRAWING / PART NUMBER	NOMENCLATURE OR DESCRIPTION	MATERIAL / SPEC	QTY
PARTS LIST / BILL OF MATERIALS				
UNLESS OTHERWISE SPECIFIED: ALL DIMENSIONS ARE IN INCHES		DRAWN BY: H.P. CZERWINSKI	DATE: 01/10/96	<p>THIS DRAWING IS THE PROPERTY OF ARGONNE NATIONAL LABORATORY ADVANCED PHOTON SOURCE</p>
TOLERANCES:		CHECKED BY: E. SWETIN	DATE: 2/22/96	
DECIMALS: .X ±.1 .XX ±.01 .XXX ±.005		DESIGNED BY: CZERWINSKI HOWARD	DATE:	
ANGULAR: ±.05°		RESPONSIBLE ENGINEER: SWETIN EUGENE	DATE: 2/22/96	
SURFACE ROUGHNESS: 125		GROUP LEADER: SWETIN EUGENE	DATE: 2/22/96	TITLE: PIPING & INSTRUMENT DIAGRAM PIPING & INSTRUMENT DIAGRAM EXPERIMENTAL HALL SECTORS 19 & 20 PUMPS PSR20A & PSR20B
REMOVE ALL BURRS AND BREAK SHARP EDGES .03 MAX. SURFACE TEXTURE THIRU IN ACCORDANCE WITH LATEST ANSI ACCORDANCE WITH LATEST ANSI Y14.5		APPROVED BY:	DATE:	SIZE: D
MATERIAL: SEE PART LIST		APPROVED BY:	DATE:	FSCM No. OHRH5
ELECTRONIC FILE NAME: A2402901		APPROVED BY:	DATE:	DRAWING NUMBER: 31-101000
				REV. 01
				SCALE: 1:1
				DO NOT SCALE DRAWING
				SHEET: 1 of 1