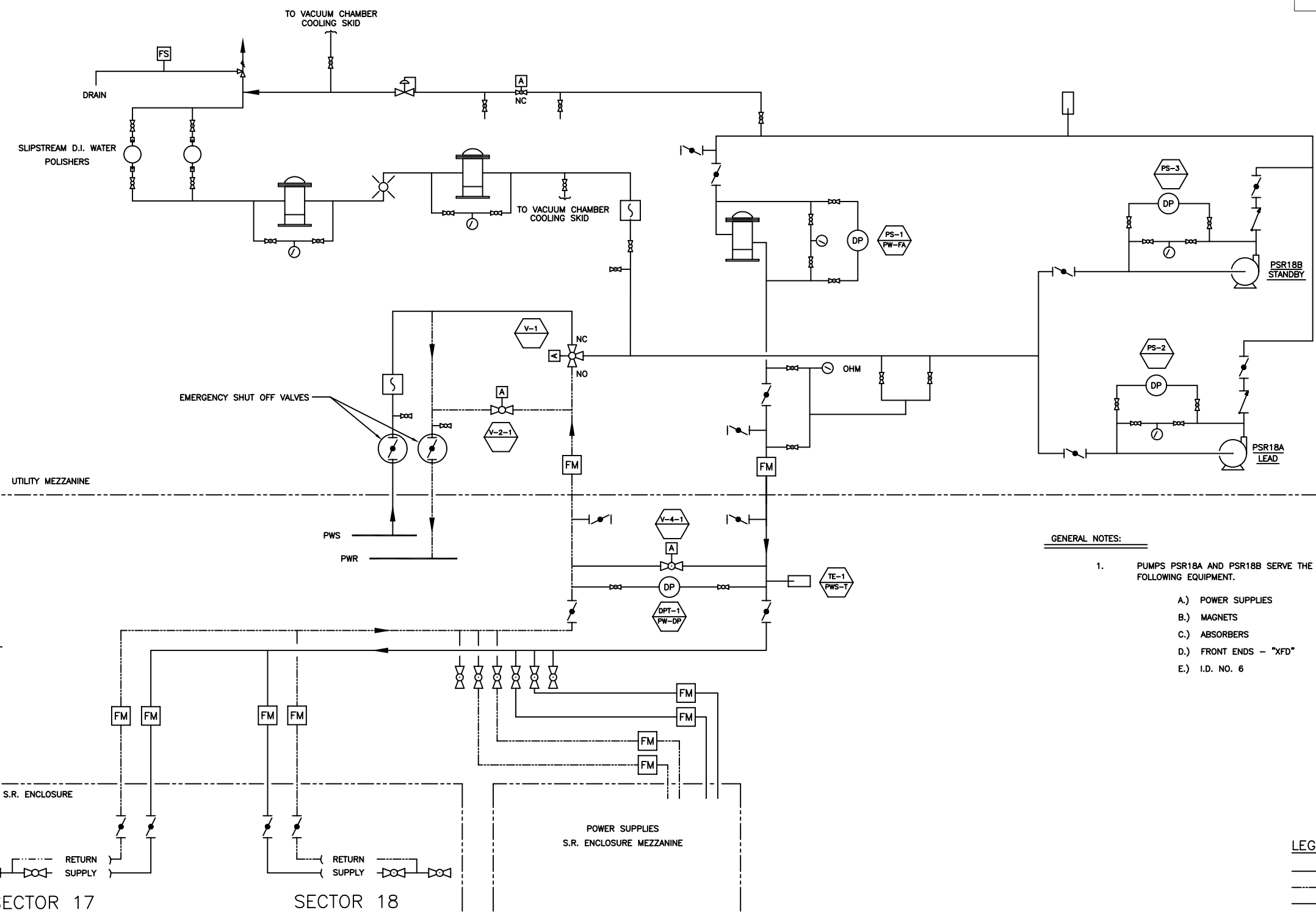


REVISIONS					
ZONE	REV	DESCRIPTION	BY	APPROVED	DATE
	01	PUMP NAMES CHANGED PER DCN 960710-03	HPC		



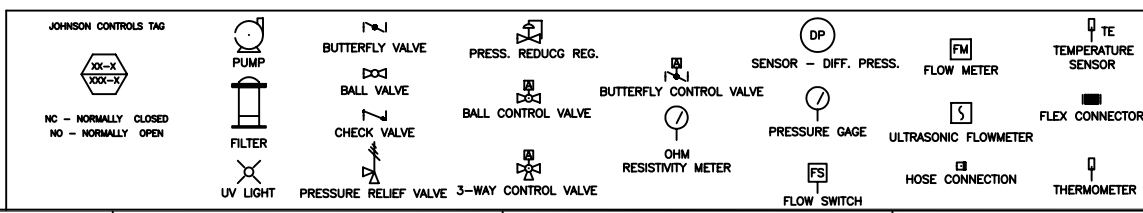
- GENERAL NOTES:**
- PUMPS PSR18A AND PSR18B SERVE THE FOLLOWING EQUIPMENT.
    - A.) POWER SUPPLIES
    - B.) MAGNETS
    - C.) ABSORBERS
    - D.) FRONT ENDS - "XFD"
    - E.) I.D. NO. 6

- LEGEND:**
- SUPPLY LINE
  - - - RETURN LINE
  - INSTRUMENTATION LINE

PUMPS PSR18A AND PSR18B SECTORS 17 AND 18

NO SCALE

NOTE: THIS DRAWING ORIGINALLY FACILITY DRAWING NUMBER L0400-1183-E-P009 SHEET 9 OF 20



ITEM	DRAWING / PART NUMBER	NOMENCLATURE OR DESCRIPTION	MATERIAL / SPEC	QTY
PARTS LIST / BILL OF MATERIALS				
UNLESS OTHERWISE SPECIFIED: ALL DIMENSIONS ARE IN INCHES		DRAWN BY: H.P. CZERWINSKI CHECKED BY: E. SWETIN DESIGNED BY: CZERWINSKI HOWARD RESPONSIBLE ENGINEER: SWETIN EUGENE GROUP LEADER: S. SHARMA APPROVED BY:	DATE: 01/10/96 DATE: 2/22/96 DATE: 2/22/96 DATE: 2/23/96 DATE:	THIS DRAWING IS THE PROPERTY OF <b>ARGONNE NATIONAL LABORATORY</b> <b>ADVANCED PHOTON SOURCE</b> TITLE: PIPING & INSTRUMENT DIAGRAM PIPING & INSTRUMENT DIAGRAM EXPERIMENTAL HALL SECTORS 17 & 18 PUMPS PSR18A & PSR18B
MATERIAL: SEE PART LIST ELECTRONIC FILE NAME: A2402801		APPROVED BY:	DATE:	SIZE: D FSCM No.: OHRH5 DRAWING NUMBER: 31-100900 REV: 01 SCALE: 1:1 DO NOT SCALE DRAWING SHEET: 1 of 1