

LS006-002-2H
LUNAR ROVING VEHICLE
OPERATIONS HANDBOOK

SECTION 4

AUXILIARY EQUIPMENT

4.0 INTRODUCTION

This section contains the LRV and 1G Trainer auxiliary equipment which includes provisions for transporting miscellaneous equipment for support of lunar activities including experiments, communications and photograph.

4.1 FORWARD CHASSIS PAYLOAD PROVISIONS

The forward chassis contains the equipment necessary to transport the LCRU, the high gain antenna, and the ground controlled television camera assembly (GCTA).

4.1.1 Lunar Communications Relay Unit (LCRU)

The LCRU is mounted in the two inboard receptacles on the forward chassis forward frame member as shown in figure 4-1. To conserve crew time on the lunar surface, the two LCRU support posts are installed in these receptacles at KSC before securing the LRV in the LM. In addition, the LRV/LCRU power cable is also connected to the LRV auxiliary connector before launch. The LCRU support posts and LRV/LCRU power cable are stowed on the LRV as shown in figure 4-2.

4.1.2 High Gain Antenna and GCTA

The high gain antenna is secured to the left outboard receptacle on the forward chassis forward frame member (figure 4-1). This receptacle is identical to the one on the right outboard side for the GCTA.

Provisions for securing the LCRU low gain antenna coax cable to the LRV are shown on figure 4-3.

4.2 CENTER CHASSIS PAYLOAD PROVISIONS

The center chassis has provisions to carry auxiliary equipment on the inboard handholds, under the crew seats and on the chassis floor.

4.2.1 Inboard Handhold Payload Receptacle

The inboard handholds are provided with receptacles for supporting the 16 mm Data Acquisition Camera and low gain antenna as shown in figure 4-4.

4.2.2 Under-Seat Stowage

One collapsible stowage bag is provided under each seat for transporting miscellaneous payload items. These bags are installed on the LRV before launch.

LS006-002-2H
LUNAR ROVING VEHICLE
OPERATIONS HANDBOOK

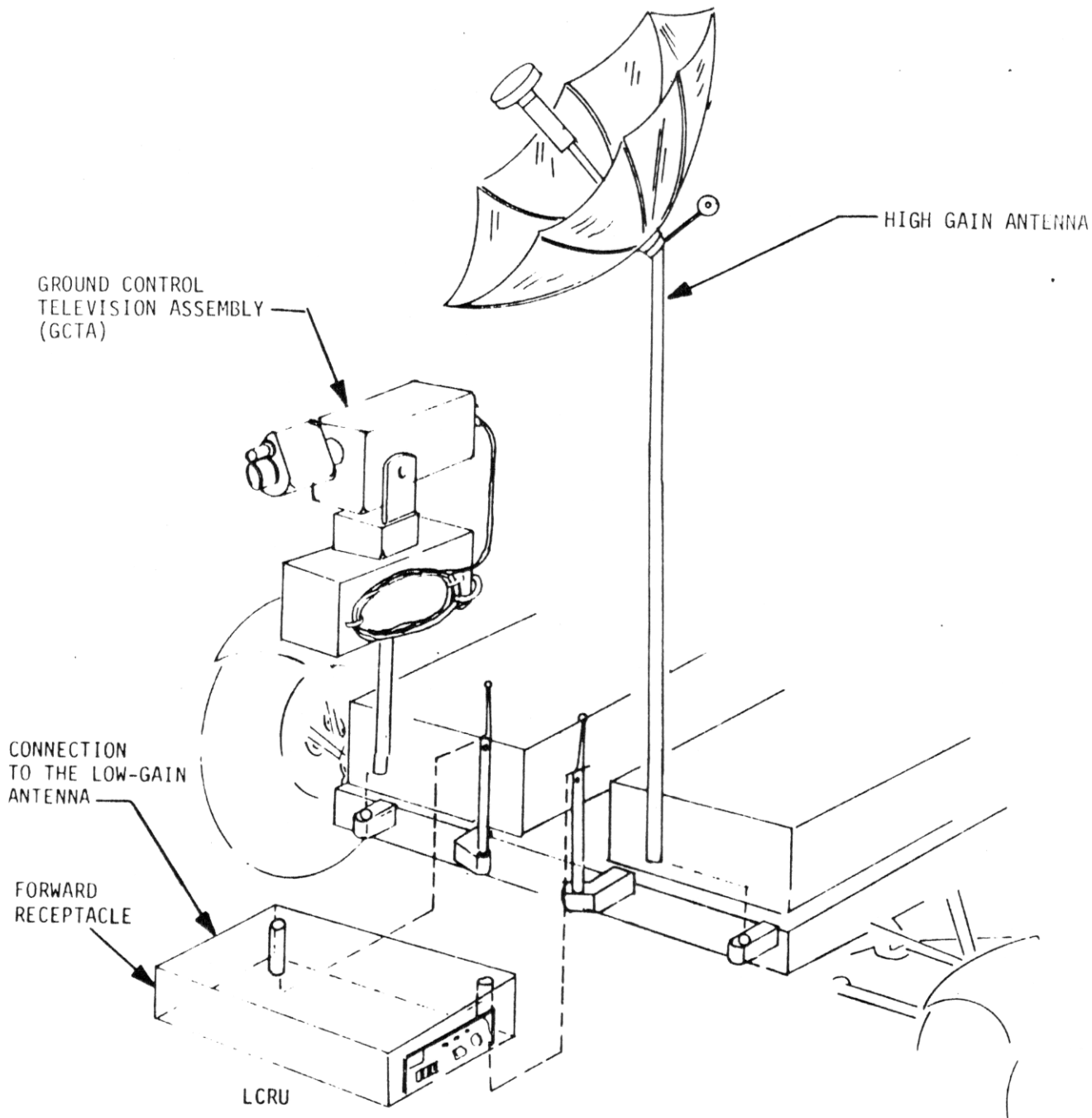


FIGURE 4-1. LCRU, HIGH GAIN ANTENNA, TV CAMERA INSTALLATION

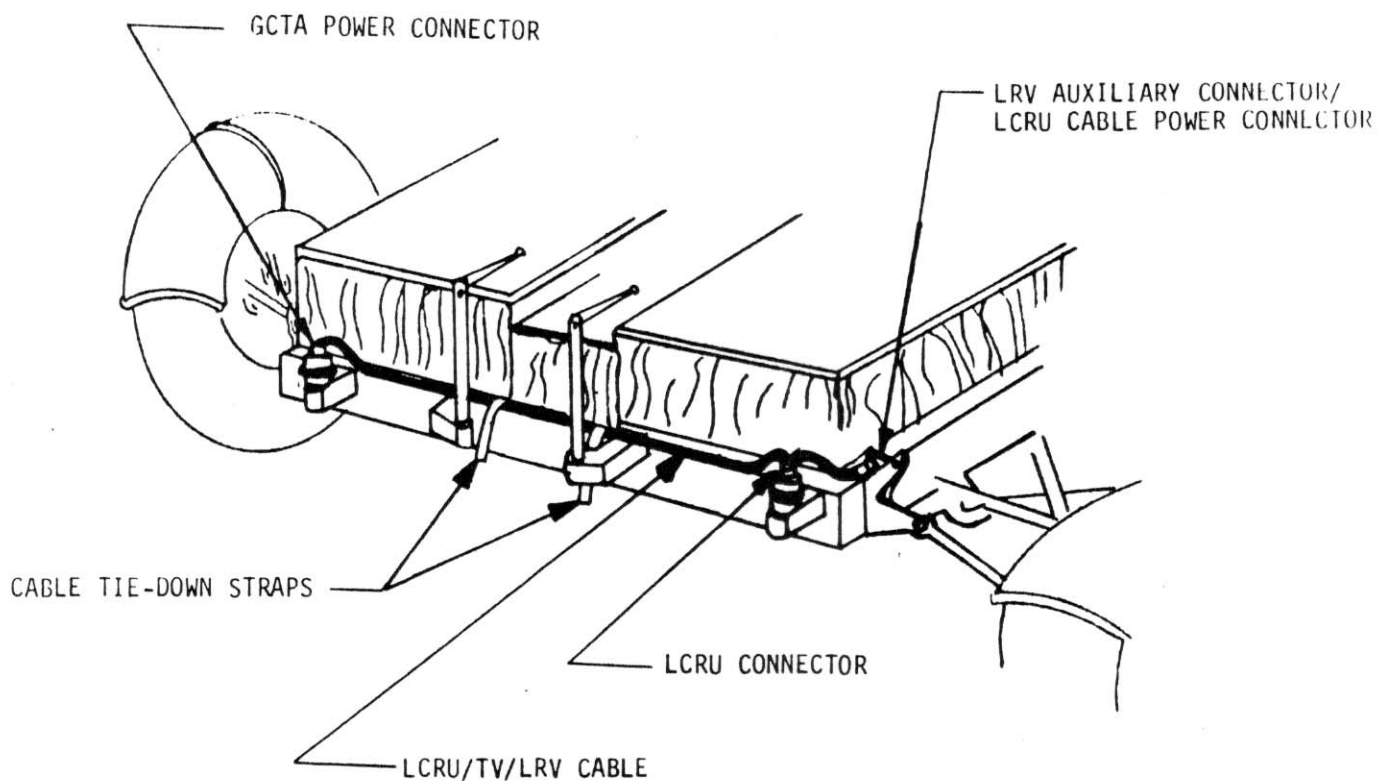


FIGURE 4-2. LCRU/TV/LRV CABLE STOWAGE

LS006-002-2H
LUNAR ROVING VEHICLE
OPERATIONS HANDBOOK

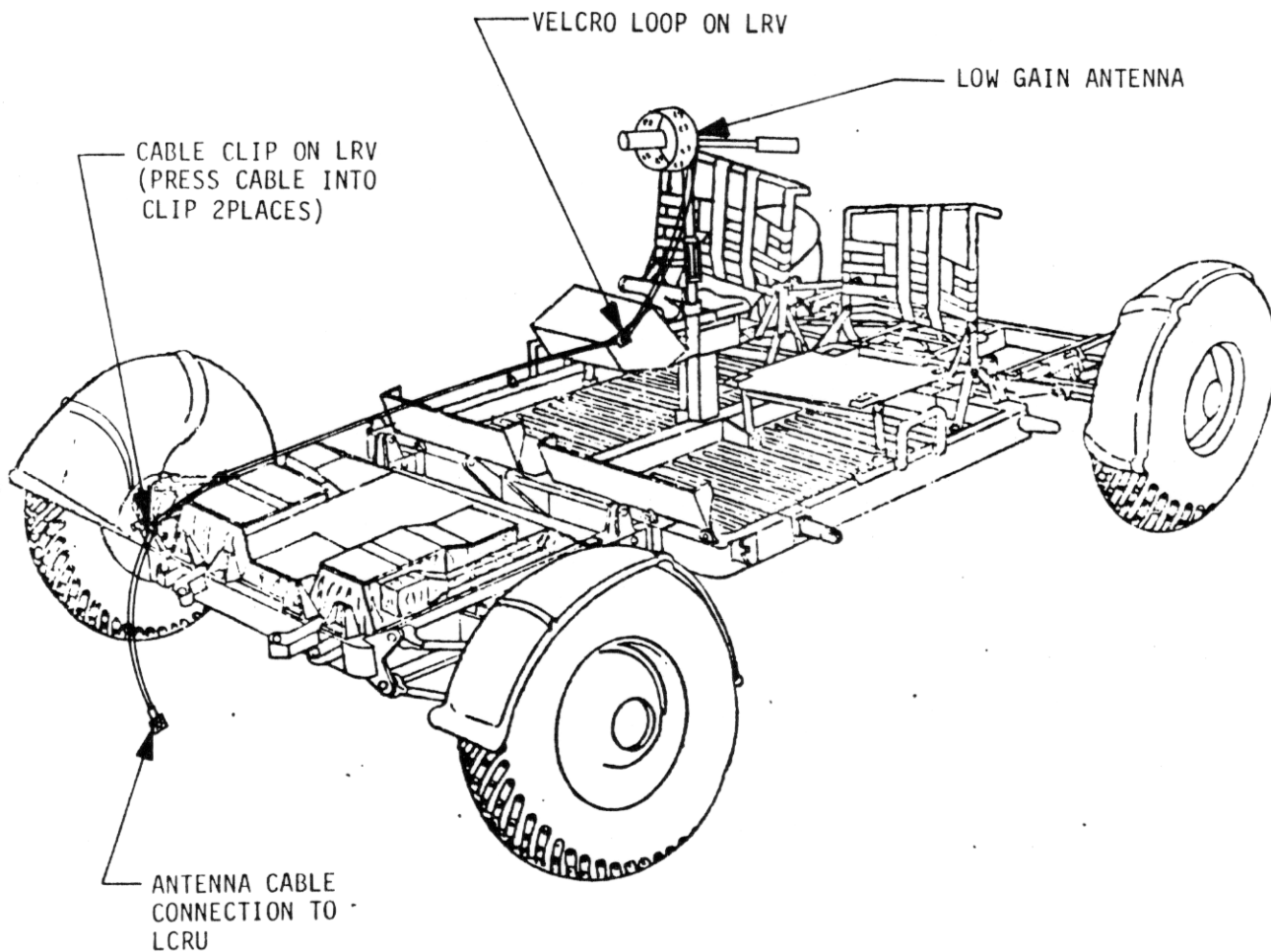


FIGURE 4-3 LCRU LOW GAIN ANTENNA CABLE
INSTALLATION ON LUNAR SURFACE

LS006-002-2H
LUNAR ROVING VEHICLE
OPERATIONS HANDBOOK

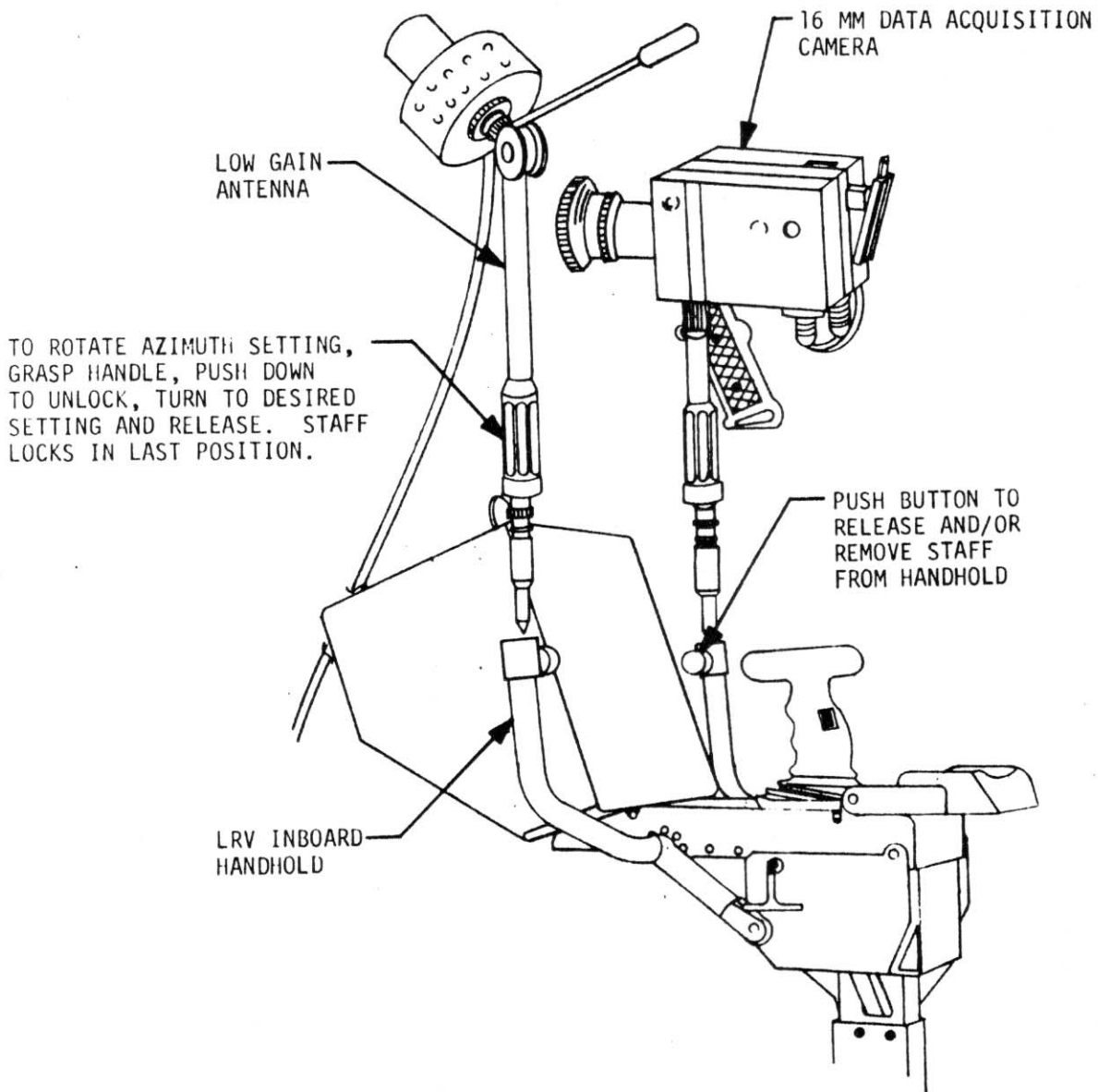


FIGURE 4-4 . 16 MM DAC AND LOW GAIN ANTENNA INSTALLATION

LS006-002-2H
LUNAR ROVING VEHICLE
OPERATIONS HANDBOOK

4.2.2 (Continued)

The two bags are identical and are of the configuration shown in figure 4-5. The forward end of each bag is secured to the seat support frame. The bags are automatically erected to the useable position when the seat support frames are raised during LRV activation. The aft ends of the bags are held in place by springs attached to the rear member of the center chassis and by attachment to cross member on the seat back.

During operations, access to the stowage bags is gained by raising the seat off the seat support which exposes the entire bag and contents.

4.2.3 Floor Payload Stowage

When only one astronaut is operating the LRV, the area normally used by the second crewman may be used for payload stowage. This is accomplished by placing the seat in the operational stowage position shown in figure 4-6. The seat is secured in the stowed position by velcro straps.

NOTE: The under seat stowage bag must be removed to use the floor area as a stowage area.

4.2.4 Back-of-Seat Payload Stowage

The Buddy SLSS umbilical is carried in a bag attached to the back of the LRV right seat. Specific interface is shown in figure 4-7.

4.3 REAR CHASSIS PAYLOAD PROVISIONS

Payload stowage provisions for the rear chassis are shown in figures 4-8 and 4-9. The LH and RH adapters and pallet support posts are installed on the LRV before launch, arriving on the lunar surface in the configuration shown in figure 4-8. The payload pallet which interfaces with the adapters and support posts is stowed in LM Quadrant III, and arrives on the lunar surface with payload items already installed on the pallet. The crew removes the pallet from Quadrant III and installs the pallet, with attached payload, onto the support post and adapters on the LRV.

*** IG Trainer Note ***

The rear chassis payload adapters for the IG Trainer will allow identical astronaut functions to be performed, but the configuration of the adapters is not exactly identical to the LRV adapters.

LS006-002-2H
LUNAR ROVING VEHICLE
OPERATIONS HANDBOOK

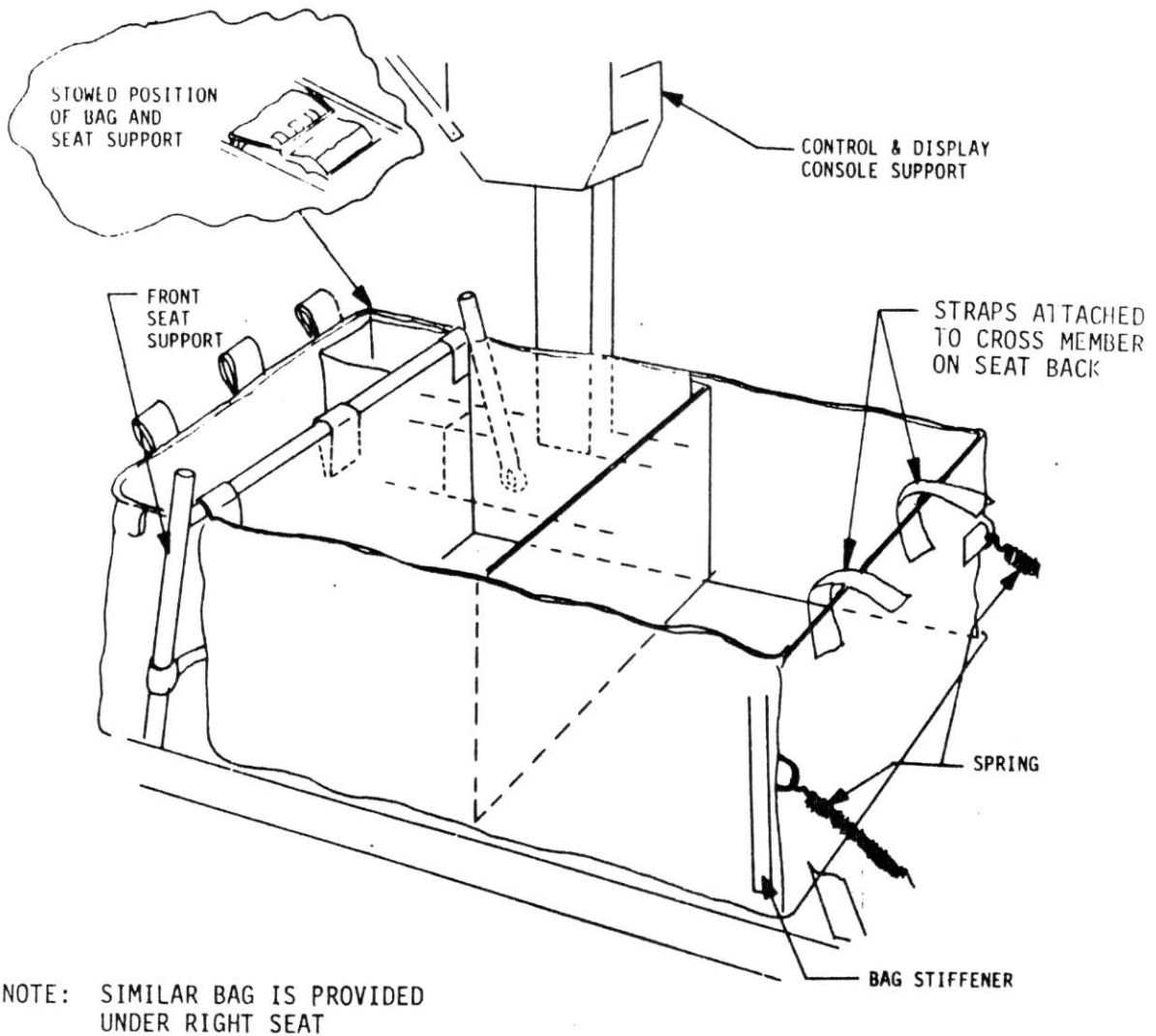


FIGURE 4-5 UNDER-SEAT STOWAGE BAG (LEFT SEAT)

LS006-002-2H
 LUNAR ROVING VEHICLE
 OPERATIONS HANDBOOK

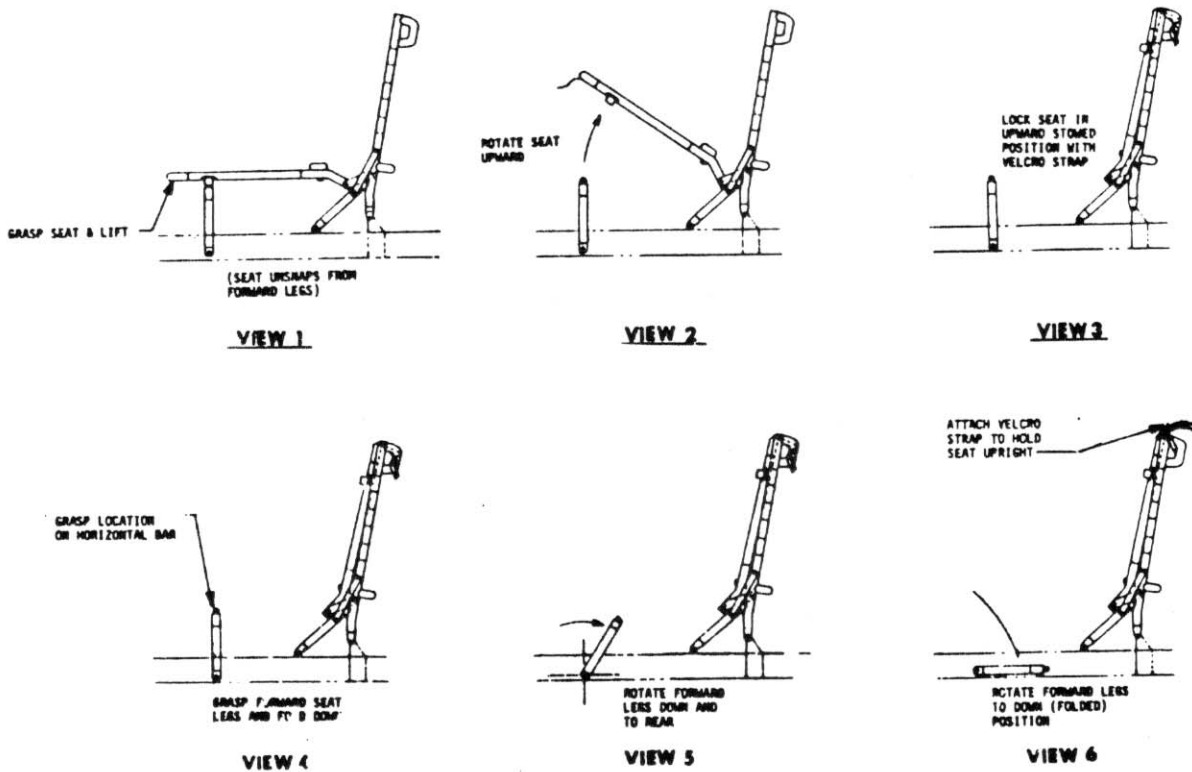


FIGURE 4-6 PASSENGER SEAT STOWAGE TO CREATE PAYLOAD AREA ON CENTER CHASSIS FLOOR

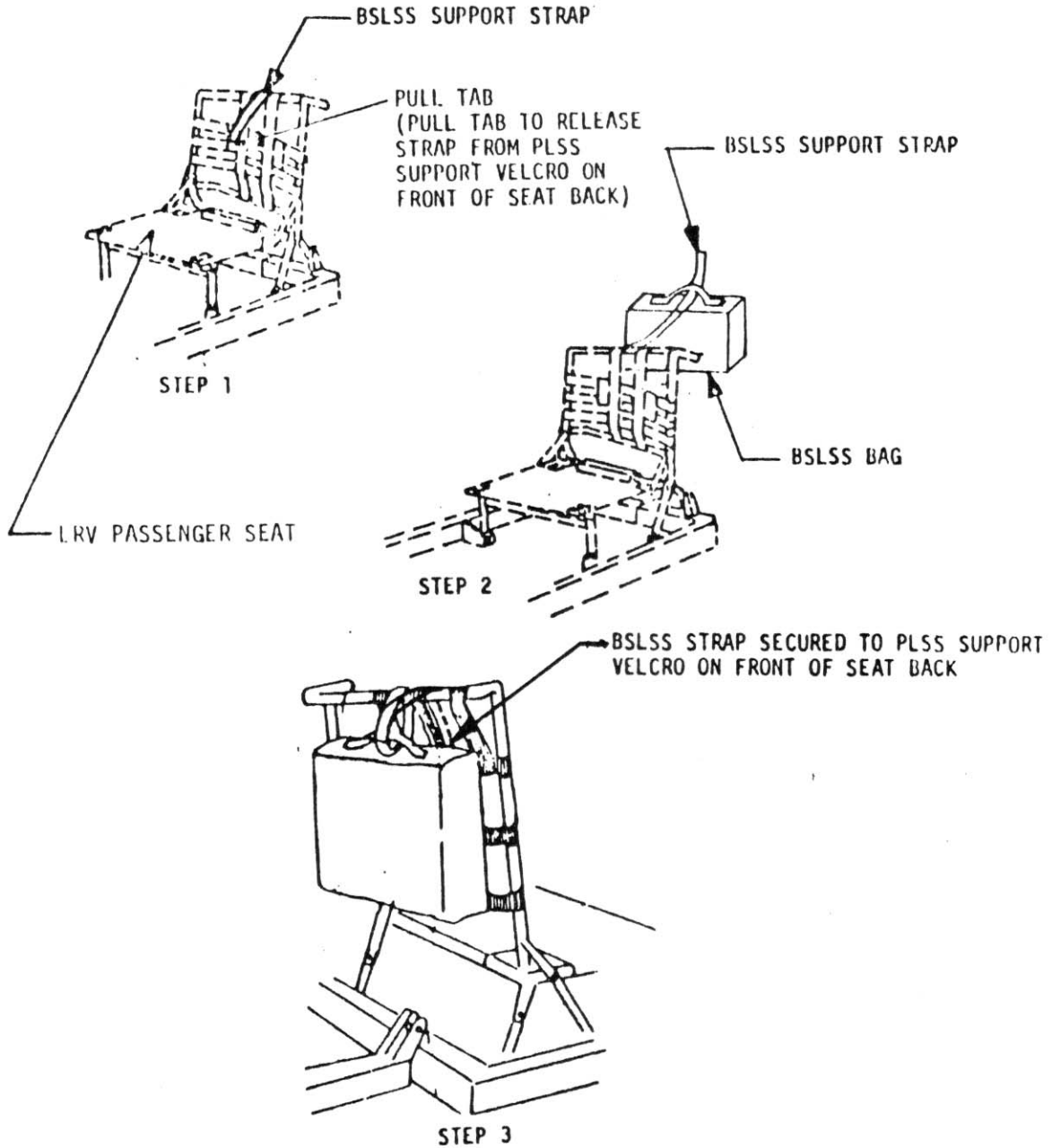


FIGURE 4-7. BUDDY SLSS INSTALLATION

LS006-002-2H
LUNAR ROVING VEHICLE
OPERATIONS HANDBOOK

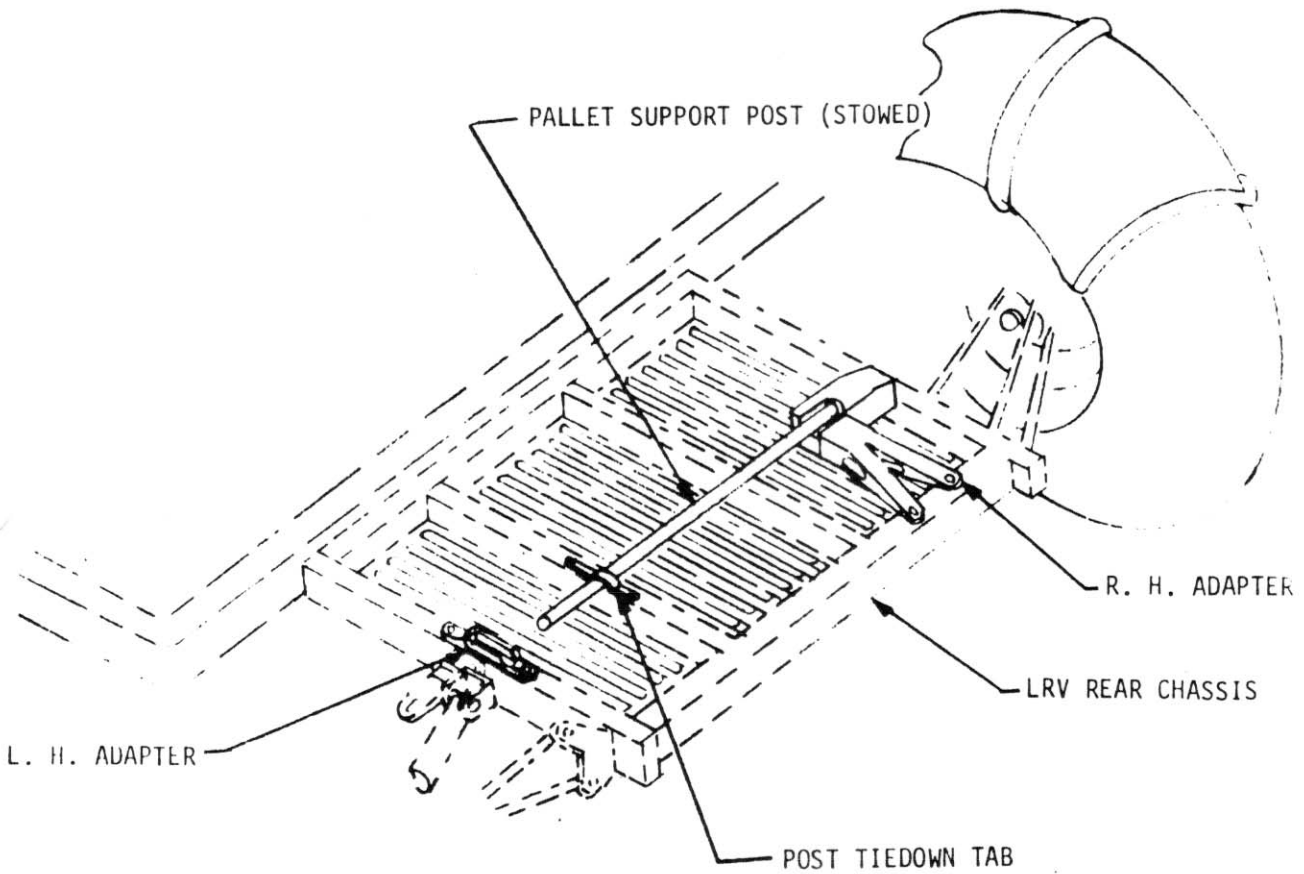


FIGURE 4-8 LRV REAR PAYLOAD PALLET ADAPTERS

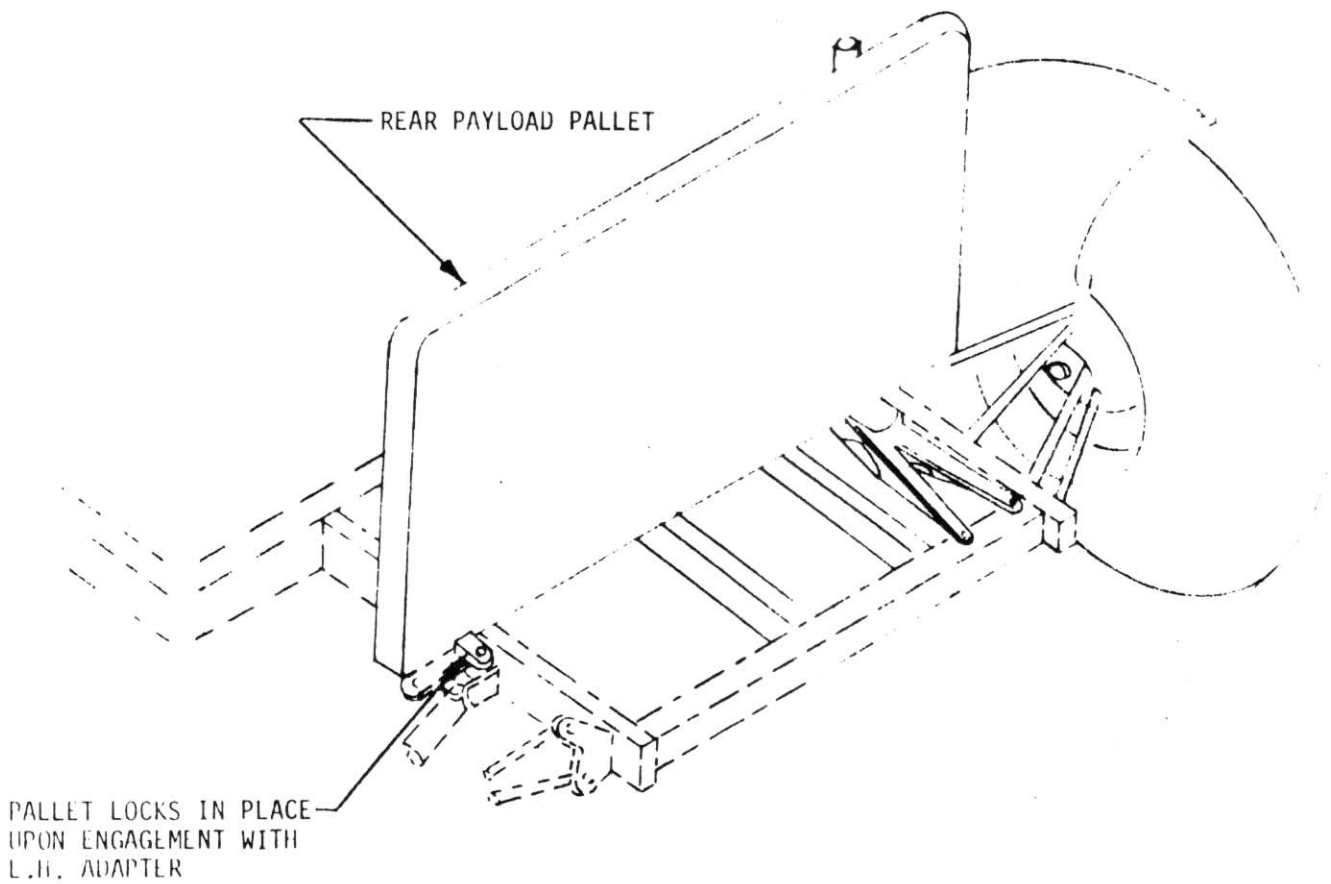


FIGURE 4-9 REAR PAYLOAD PALLET INSTALLED

SECTION 5
OPERATING LIMITATIONS

5.0 INTRODUCTION

This section contains the LRV operating limitations.

5.1 PAYLOAD LIMITATIONS

The LRV is designed for lunar operation a total payload of 970 pounds earth weight distributed as defined by the LRV to Stowed Payload Interface Control Document, 13M07391. Loading the LRV beyond the 970 pound limit will cause the structural factor of safety to be lessened below the 1.5 design case.

The allowable center of gravity location for the total LRV, including payload, is shown in Figure 5-1. Loading the LRV such that the center of gravity falls outside the defined envelope will cause degradation of performance, including:

- a. Possible steering discontinuity
- b. Possible traction drive discontinuity
- c. Possible periods of instability

1G TRAINER NOTE

The 1G Trainer is designed for a gross payload of 800 pounds. Performance degradation will occur if overloaded.

5.2 PARKING LIMITATIONS

To achieve proper thermal control of the LRV and stowed payload during between-EVA parking periods, the LRV must be oriented per figure 5-2. Parking the LRV outside these limits will result in display and control component overheating or LCRU overheating. There are no orientation constraints imposed on short-term parking during EVA's.

1G TRAINER NOTE

There are no parking limitations for the 1G Trainer.

5.3 SORTIE LIMITATIONS

The LRV is designed for EVA's of 6 hours duration. The thermal design is based on 3 hours of mobility operation in the 6-hour EVA, with the navigation system and controls and displays remaining on during the entire 6-hour EVA. Operation of the vehicle beyond these time durations will cause thermal limits to be exceeded.

The LRV is designed for continuous operation in shadows for not more than 2 hours due to temperature limits on the Control and Display components. See Appendix A for temperature rise and cooldown times.

LS006-002-2H
 LUNAR ROVING VEHICLE
 OPERATIONS HANDBOOK

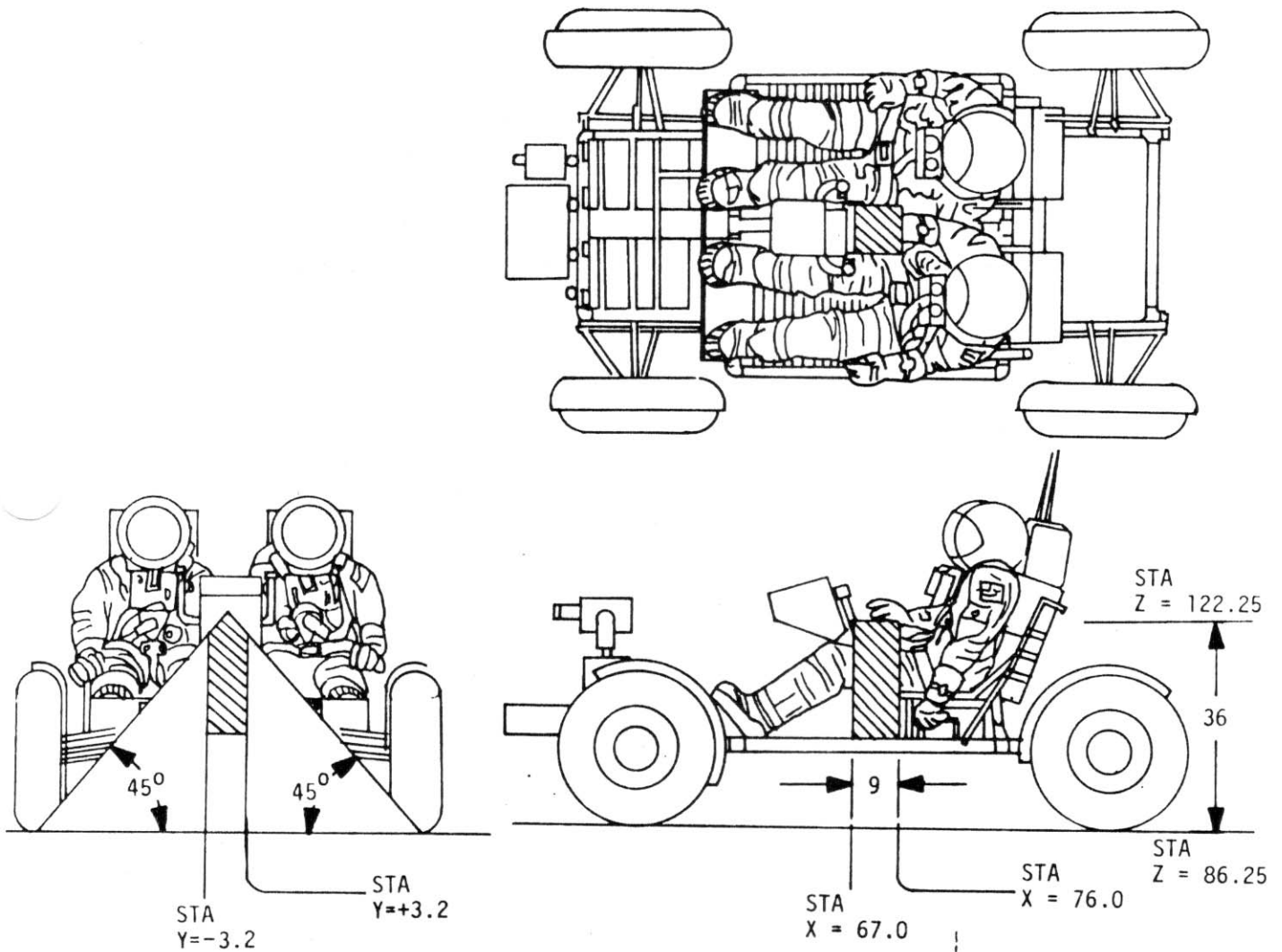


FIGURE 5-1. ALLOWABLE C.G. ENVELOPE FOR VEHICLE FULLY LOADED

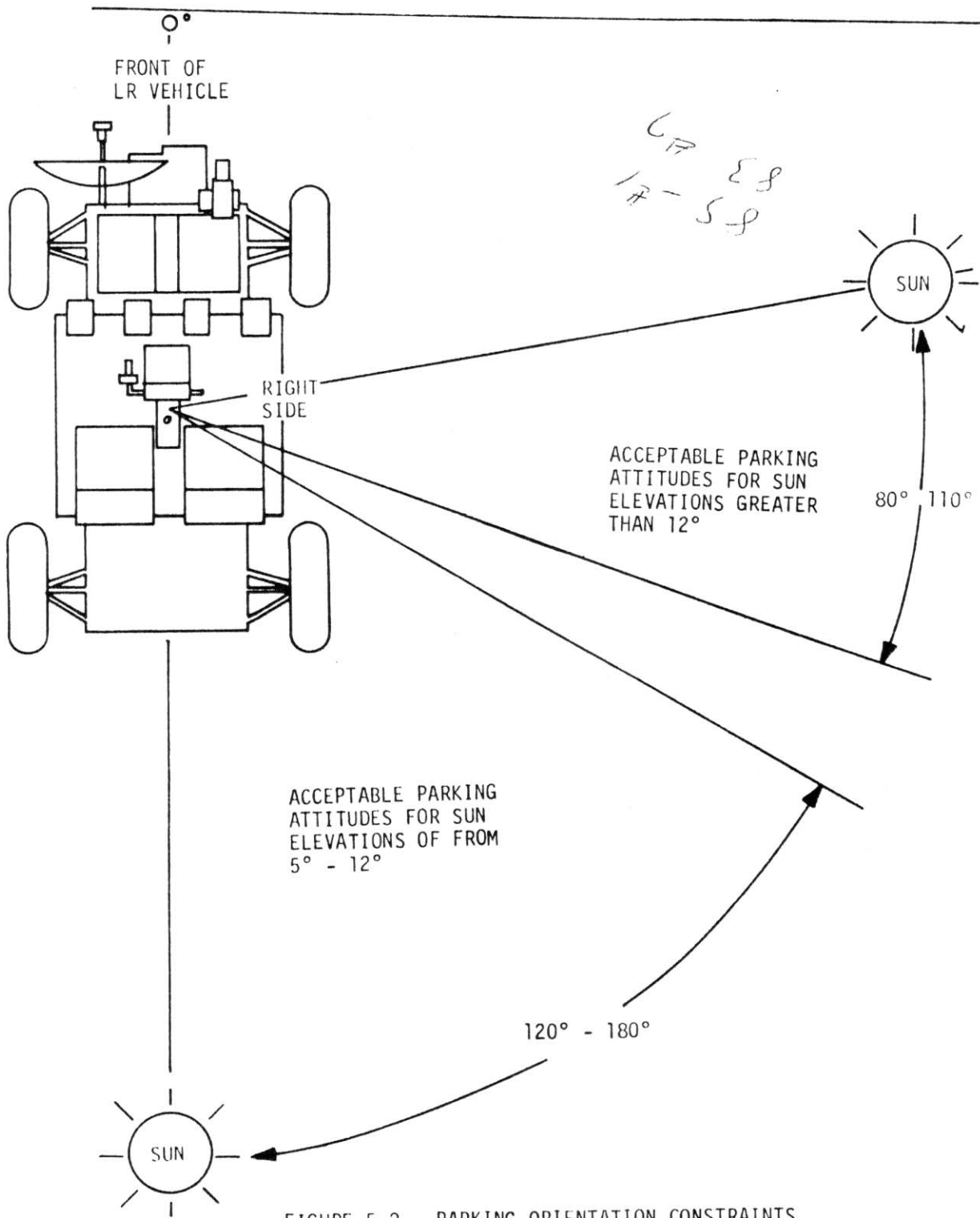


FIGURE 5-2. PARKING ORIENTATION CONSTRAINTS

LS006-002-2H
LUNAR ROVING VEHICLE
OPERATIONS HANDBOOK

5.4 NAVIGATION SYSTEM LIMITATIONS

The following limitations are placed on operating the LRV and IG Trainer Navigation System.

- a. The Navigation System is to be on for a minimum of three minutes before initialization to allow the gyro to reach operating speed.
- b. The GYRO TORQUING Switch is not to be kept in the LEFT or RIGHT position for more than two minutes. After two minutes on, the switch must be kept OFF for a minimum of five minutes to prevent damage to the gyro torquing motor.
- c. The navigation input voltage must not be allowed to be less than 30 VDC to prevent excessive computation and display errors and to prevent damage to navigation equipment if the under-voltage situation is prolonged. Therefore, it is imperative that the NAV POWER circuit breaker be open if the VOLTS indicator indicates less than 60. The VOLTS indicator should be checked periodically (at least each 15 minutes) to verify readings of not less than 60.

SECTION 6
OPERATING TIMELINES

6.0 INTRODUCTION

This section defines the approximate times for performing LRV functions on the lunar surface and 1G Trainer functions on earth.

1G TRAINER NOTE

Timelines for 1G Trainer operation are identical to those shown for LRV lunar surface operations except for traction drive decoupling and steering decoupling.

Included in this section are timelines for:

- Figure 6-1 - LRV Deployment
- 6-2 - Post-Deployment Checkout
- 6-3 - Pre-Sortie Checkout and Preparation
- 6-4 - Post-Sortie Shutdown
- 6-5 - Navigation Update
- 6-6 - Traction Drive Decoupling
- 6-7 - Steering Decoupling
- 6-8 - Rear Steering Recoupling
- 6-9 - 1G Trainer Battery Changeout
- 6-10 - 1G Trainer Traction Drive Decoupling
- 6-11 - 1G Trainer Steering Decoupling

LS006-002-2H
LUNAR ROVING VEHICLE
OPERATIONS HANDBOOK

| | |
|--|----------|
| PULL VELCRO TAPE LOOSE FROM LEFT TRIPOD AND REMOVE INSULATION FROM AROUND LEFT LOWER SUPPORT ARM. | (.1 MIN) |
| RELEASE CENTER BRAKED REEL DEPLOYMENT TAPE FROM NYLON BAG ATTACHED TO LEFT LOWER SUPPORT ARM; DRAPE TAPE OVER LM LANDING STRUT. | (.2 MIN) |
| RELEASE DEPLOYMENT CABLE; DEPLOY FULL LENGTH OF CABLE AT 45° ANGLE FROM QUAD I TOWARD DESCENT LADDER. | (.2 MIN) |
| PULL VELCRO TAPE LOOSE FROM RIGHT TRIPOD AND REMOVE INSULATION FROM AROUND RIGHT LOWER SUPPORT ARM. PULL INSULATION BLANKET LOOSE FROM VELCRO ON LOWER END OF LRV CENTER CHASSIS. | (.2 MIN) |
| RELEASE DOUBLE BRAKED REEL DEPLOYMENT TAPE FROM NYLON BAG ATTACHED TO RIGHT LOWER SUPPORT ARM; DRAPE TAPE OVER CONVENIENT PROTRUSION. | (.2 MIN) |
| VISUALLY INSPECT BOTH LOWER SUPPORT ARMS. | (.1 MIN) |
| ASCEND TO LM PLATFORM TO DEPLOY LRV; OTHER CREWMAN GRASPS DEPLOYMENT CABLE AND MONITOR DEPLOYMENT. | (.2 MIN) |
| PULL D-HANDLE TO RELEASE LRV FROM LM AND VISUALLY VERIFY THAT LRV MOVED OUTWARD FROM LM ABOUT 4°. | (.2 MIN) |
| CREWMAN DESCENDS LM LADDER AND RETRIVES DOUBLE BRAKED REEL TAPE AT RIGHT SIDE OF VEHICLE. | (.2 MIN) |
| PULL TAPE FROM DOUBLE BRAKED REEL; VERIFY THAT LRV ROTATES OUTWARD FROM LM AND CAM FITTING ENGAGE LOWER SUPPORT ARMS. CONTINUE PULLING TAPE UNTIL AFT CHASSIS UNFOLDS ABOUT 45°; THEN VERIFY THAT AFT CHASSIS IS LOCKED INTO POSITION, THAT REAR WHEELS HAVE UNFOLDED AND THE TETHERED WHEEL STRUTS HAVE FALLEN FREE. ALSO VERIFY THAT THE FORWARD CHASSIS IS RELEASED FROM THE CONSOLE POST AND HAS RETURNED TO THE 35° POSITION. | (.5 MIN) |

FIGURE 6-1 LRV DEPLOYMENT TIMELINE

LS006-002-2H
LUNAR ROVING VEHICLE
OPERATIONS HANDBOOK

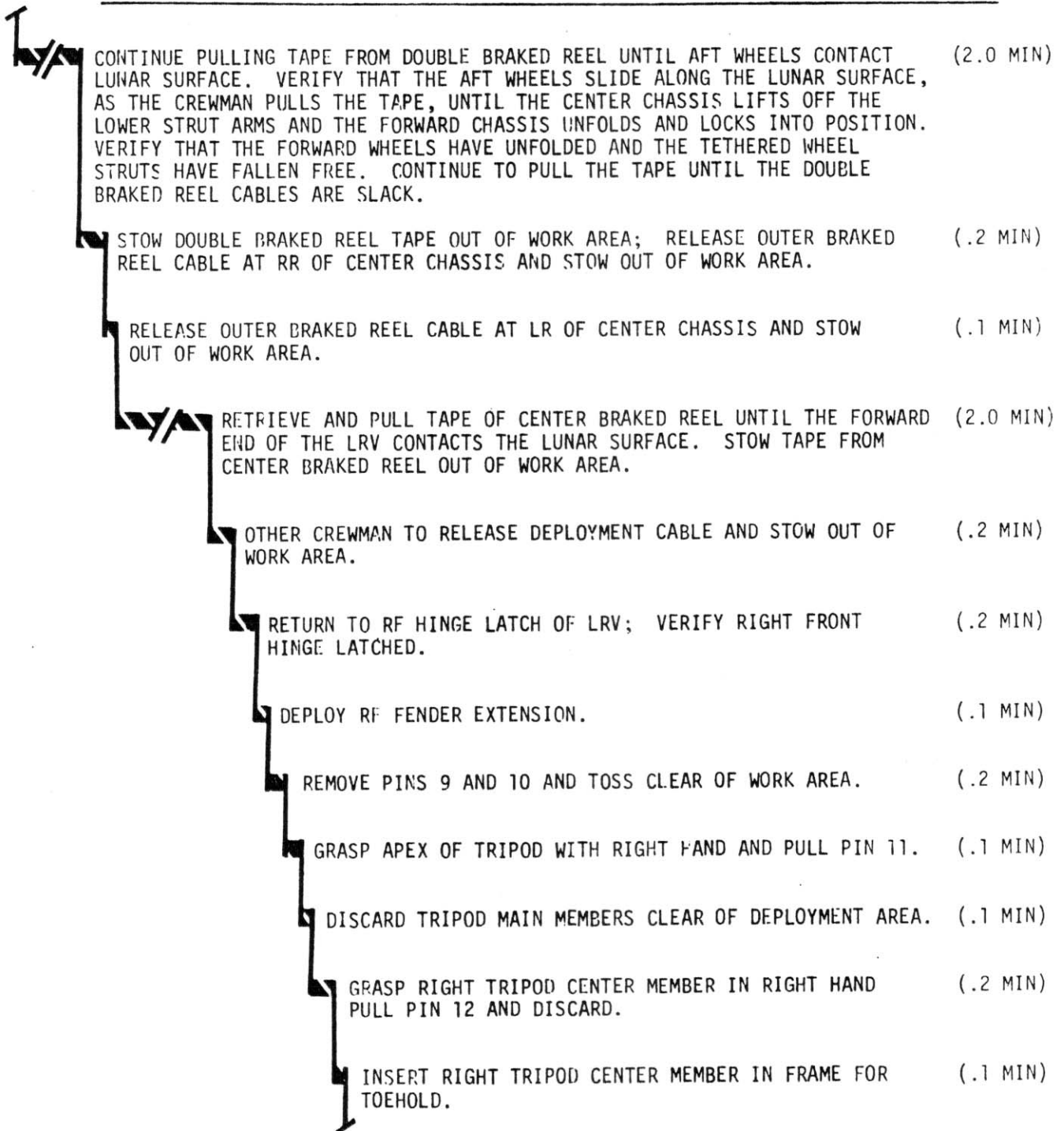


FIGURE 6-1 LRV DEPLOYMENT TIMELINE (CONTINUED)

LS006-002-2H
LUNAR ROVING VEHICLE
OPERATIONS HANDBOOK

| | |
|--|----------|
| RELEASE RIGHT FOOTREST RESTRAINT AND ERECT RIGHT FOOTREST AND VERIFY LATCHED IN POSITION. | (.1 MIN) |
| PULL AND TURN C/D CONSOLE LATCH P13, 90° CW. WHEN CONSOLE DEPLOYS, RAISE INBOARD HANDHOLDS AND LOCK IN OPERATIONAL POSITION, ROTATE P13 90° CW AND VERIFY CONSOLE LOCKED IN POSITION | (.1 MIN) |
| RELEASE RIGHT SEAT BELT FROM STOWAGE POSITION AND STOW IN TEMPORARY LOCATION. | (.1 MIN) |
| GRASP FRONT OF RIGHT SEAT FRAME AND LIFT TO STABLE OVERCENTER POSITION AND ERECT RIGHT SEAT FRONT LEGS. VERIFY SEAT STOWAGE BAG ERECTS. | (.1 MIN) |
| PULL SEAT PAN FRAME UP AND POSITION ENDS OF FRAME UNDER BACK REST SUPPORT MEMBER LOWER SEAT FRAME TO ENGAGE FRONT LEGS AND VERIFY LATCHED. | (.1 MIN) |
| VERIFY RIGHT REAR HINGE LATCHED. | (.1 MIN) |
| VISUALLY VERIFY REAR STEERING DECOUPLING RING SEAL HAS NOT BEEN BROKEN. | (.1 MIN) |
| DEPLOY RIGHT REAR FENDER EXTENSION. | (.1 MIN) |
| VERIFY LEFT REAR HINGE LATCHED AND DEPLOY LEFT REAR FENDER EXTENSION. | (.2 MIN) |
| RELEASE INBOARD HANDHOLD VELCRO TIEDOWN STRAP. | (.1 MIN) |
| RELEASE LEFT SEAT BELT FROM STOWAGE POSITION AND STOW IN TEMPORARY LOCATION. | (.1 MIN) |
| GRASP FRONT OF LEFT SEAT FRAME AND LIFT TO STABLE OVERCENTER POSITION AND ERECT LEFT SEAT FRONT LEGS. VERIFY SEAT STOWAGE BAG ERECTS. | (.1 MIN) |

FIGURE 6-1 LRV DEPLOYMENT TIMELINE (CONTINUED)

LS006-002-2H
LUNAR ROVING VEHICLE
OPERATIONS HANDBOOK

| | | |
|---|---|----------|
| 1 | PULL SEAT PAN FRAME UP AND POSITION ENDS OF FRAME UNDER BACK REST SUPPORT MEMBER. LOWER SEAT FRAME TO ENGAGE FRONT LEGS AND VERIFY LATCHED. | (.1 MIN) |
| | FOLD INBOARD ARMREST DOWN. | (.1 MIN) |
| | SUPPORT CONSOLE WITH LEFT HAND; GRASP C/D CONSOLE PANEL "T" HANDLE P7, TURN 90° CW TO LOCKED POSITION. | (.1 MIN) |
| | ROTATE INBOARD HANDHOLD TO LOCKED POSITION WHILE ROTATING CONSOLE DOWNWARD WITH LEFT HAND. | (.1 MIN) |
| | ROTATE T-HANDLE P7 90° CW AND FOLD FLUSH WITH CONSOLE BOX AND SECURE INTO POSITION WITH VELCRO STRAP. | (.1 MIN) |
| | REMOVE ATTITUDE INDICATOR LOCK PIN AND DISCARD. | (.1 MIN) |
| | REMOVE C&W FLAG LOCK PIN AND DISCARD. | (.1 MIN) |
| | PULL PINS P3 AND 4 AND TOSS CLEAR OF WORK AREA. | (.1 MIN) |
| | GRASP TRIPOD APEX WITH LEFT HAND AND PULL PIN P5; DISCARD PIN P5 AND TRIPOD MAIN MEMBERS. | (.1 MIN) |
| | GRASP TRIPOD CENTER MEMBER IN LEFT HAND; PULL PIN P6 AND DISCARD. | (.2 MIN) |
| | USE HOOKED END OF SHORT TRIPOD MEMBER TO PULL CABLE P2 AND VERIFY THAT TELESCOPING RODS SADDLE FALLS AWAY. | (.1 MIN) |
| | INSERT TRIPOD CENTER MEMBER IN LRV FRAME FOR TOEHOLD. | (.1 MIN) |
| | RELEASE LEFT FOOTREST RESTRAINT DEVICE AND ERECT LEFT FOOTREST AND VERIFY LATCHED POSITION. | (.1 MIN) |

FIGURE 6-1 LRV DEPLOYMENT TIMELINE (CONTINUED)

LS006-002-2H
LUNAR ROVING VEHICLE
OPERATIONS HANDBOOK

| | | |
|---|--|----------|
| 1 | MOVE TO LEFT FRONT HINGE AREA AND VERIFY LEFT FRONT HINGE LATCHED. | (.1 MIN) |
| | DEPLOY LEFT FRONT FENDER EXTENSION. | (.1 MIN) |
| | INSPECT AND VERIFY BATTERY NO. 1 AND SPU DUST COVERS ARE CLOSED AND SECURED. | (.1 MIN) |
| | VERIFY THAT THE FORWARD STEERING DECOUPLING RING SEAL HAS NOT BEEN BROKEN. | (.1 MIN) |
| | MOVE TO RIGHT SIDE OF VEHICLE AND VERIFY THAT BATTERY NO. 2 DUST COVER IS CLOSED AND SECURED. | (.2 MIN) |
| | AT RIGHT SIDE OF VEHICLE ROTATE "T" HANDLE P13 90° CW AND FOLD "T" HANDLE FLUSH WITH CONSOLE BOX AND SECURE. | (.2 MIN) |

LRV DEPLOYMENT COMPLETE.

TOTAL TIME 11.0 MINUTES

FIGURE 6-1. LRV DEPLOYMENT TIMELINE (CONTINUED)

LS006-002-211
LUNAR ROVING VEHICLE
OPERATIONS HANDBOOK

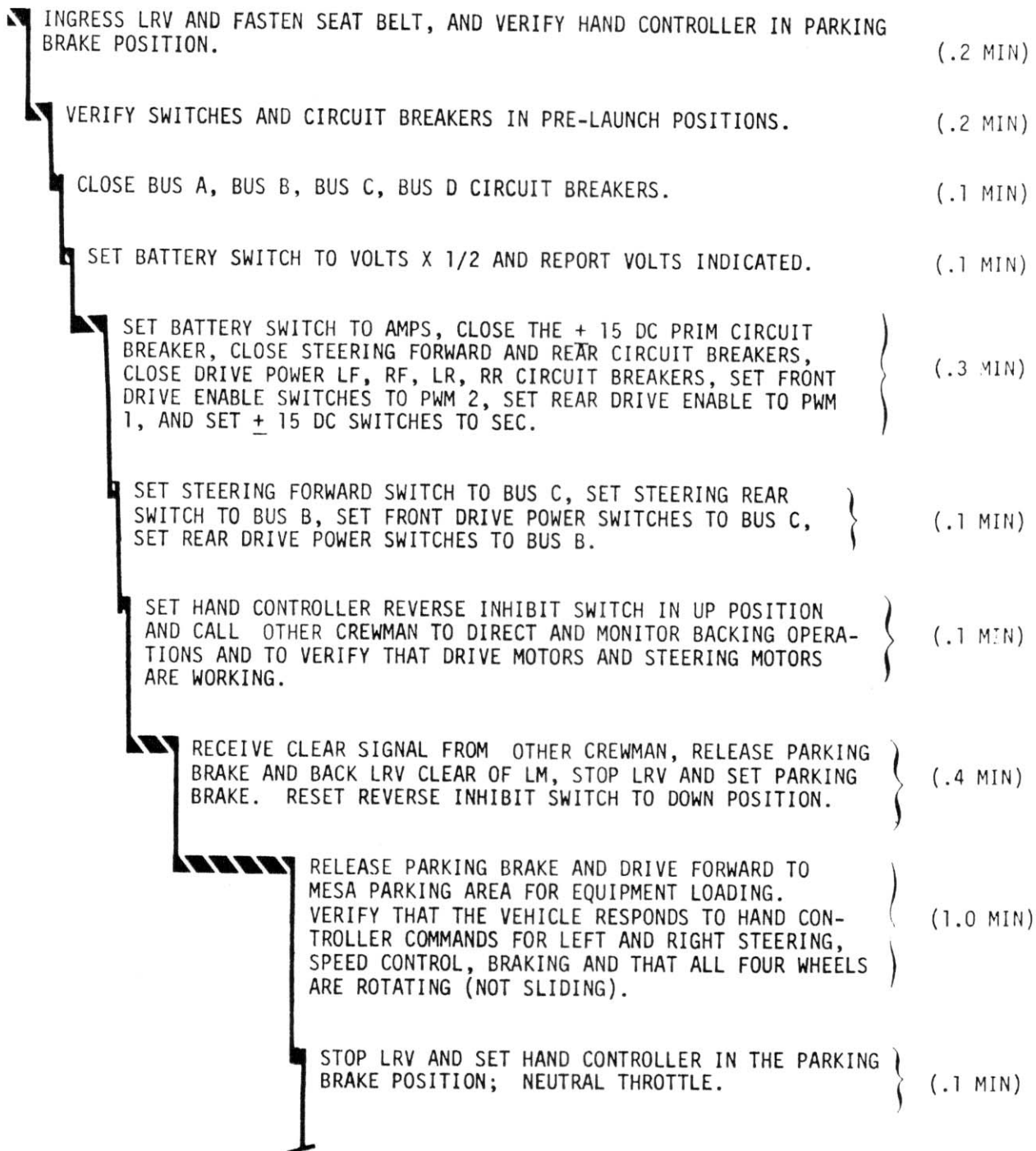


FIGURE 6-2. LRV POST DEPLOYMENT CHECKOUT TIMELINE

LS006-002-2H
LUNAR ROVING VEHICLE
OPERATIONS HANDBOOK

SHUT DOWN LRV POWER AND VERIFY THAT THE HAND CONTROLLER IS IN THE PARKING BRAKE POSITION, THAT THE FRONT AND REAR DRIVE POWER SWITCHES ARE OFF, THAT THE FORWARD AND REAR STEERING SWITCHES ARE OFF, THAT THE \pm 15 VDC SWITCH IS OFF AND THAT THE NAV POWER CIRCUIT BREAKER IS OPEN. } (.2 MIN)

RELEASE AND STOW SEAT BELT; EGRESS VEHICLE. (.3 MIN)

(TOTAL TIME 3.1 MIN.)

FIGURE 6-2. LRV POST DEPLOYMENT CHECKOUT TIMELINE
(CONTINUED)

LS006-002-2H
LUNAR ROVING VEHICLE
OPERATIONS HANDBOOK

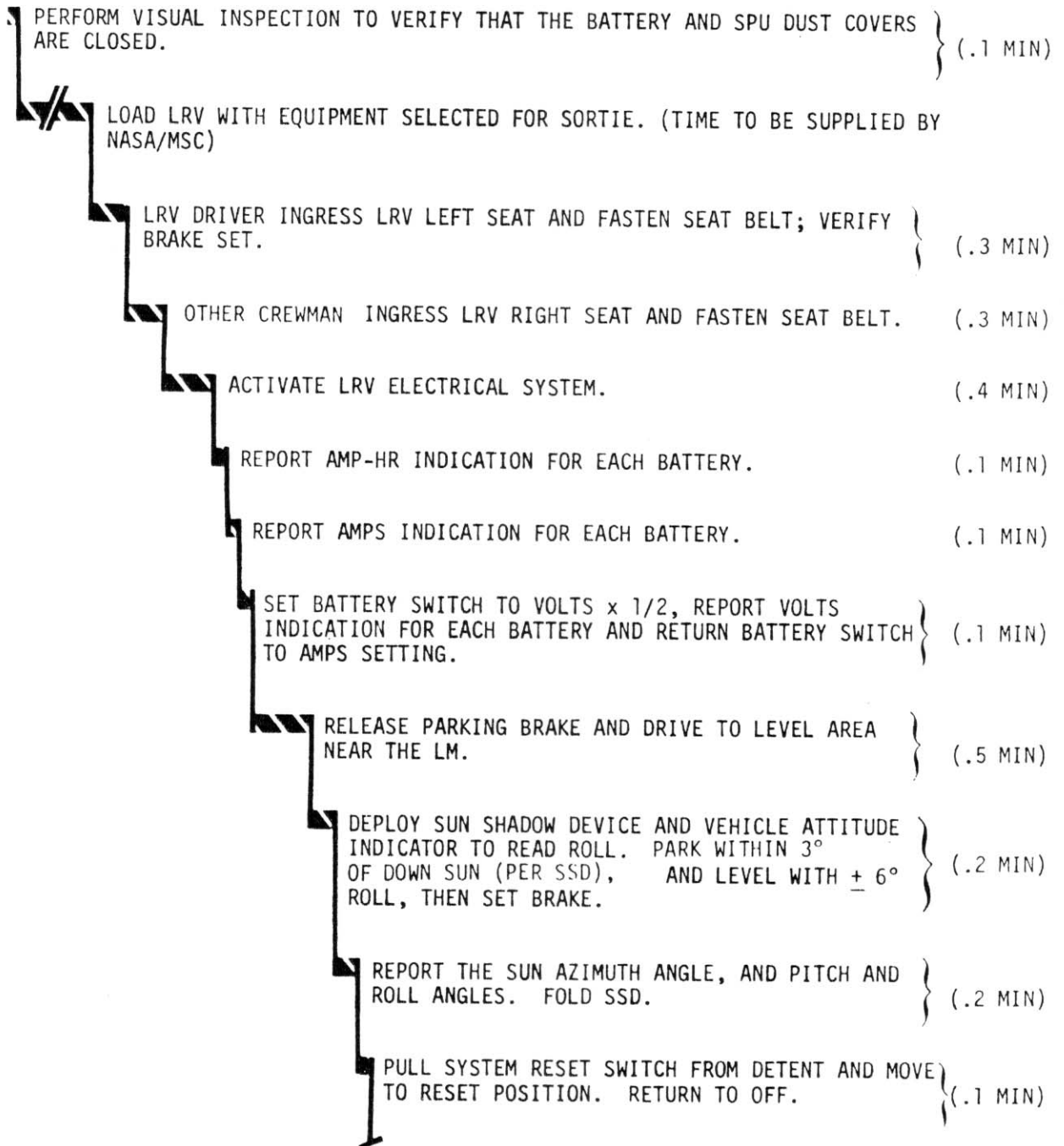
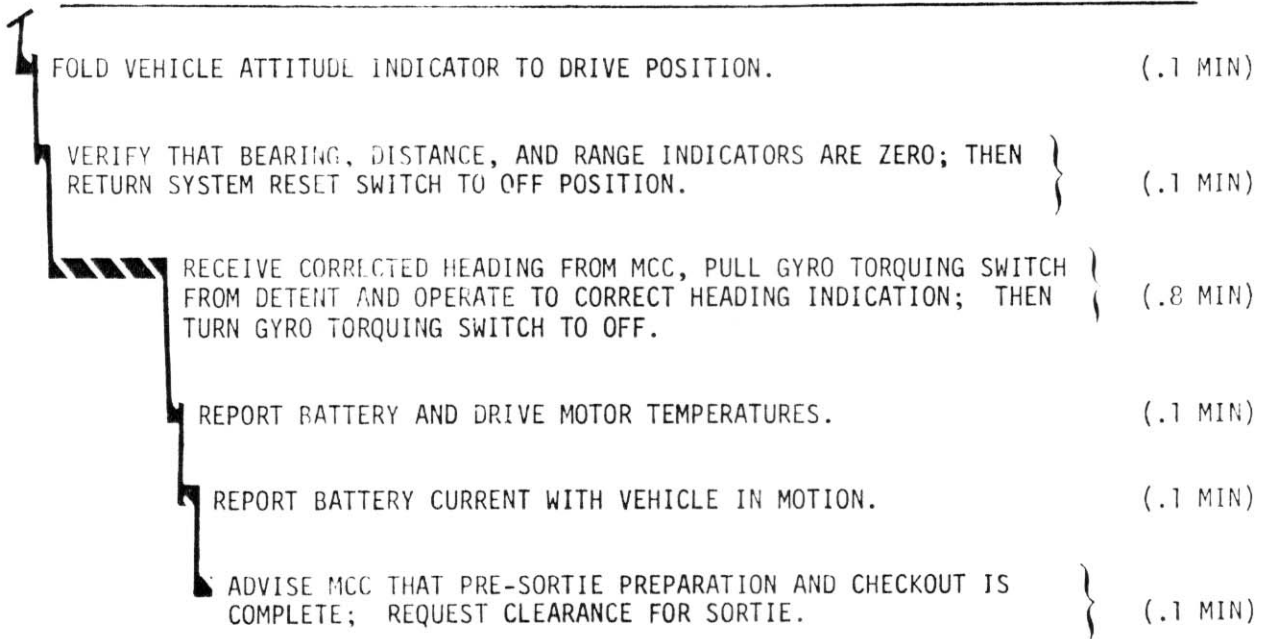


FIGURE 6-3. PRE-SORTIE CHECKOUT AND PREPARATION TIMELINE

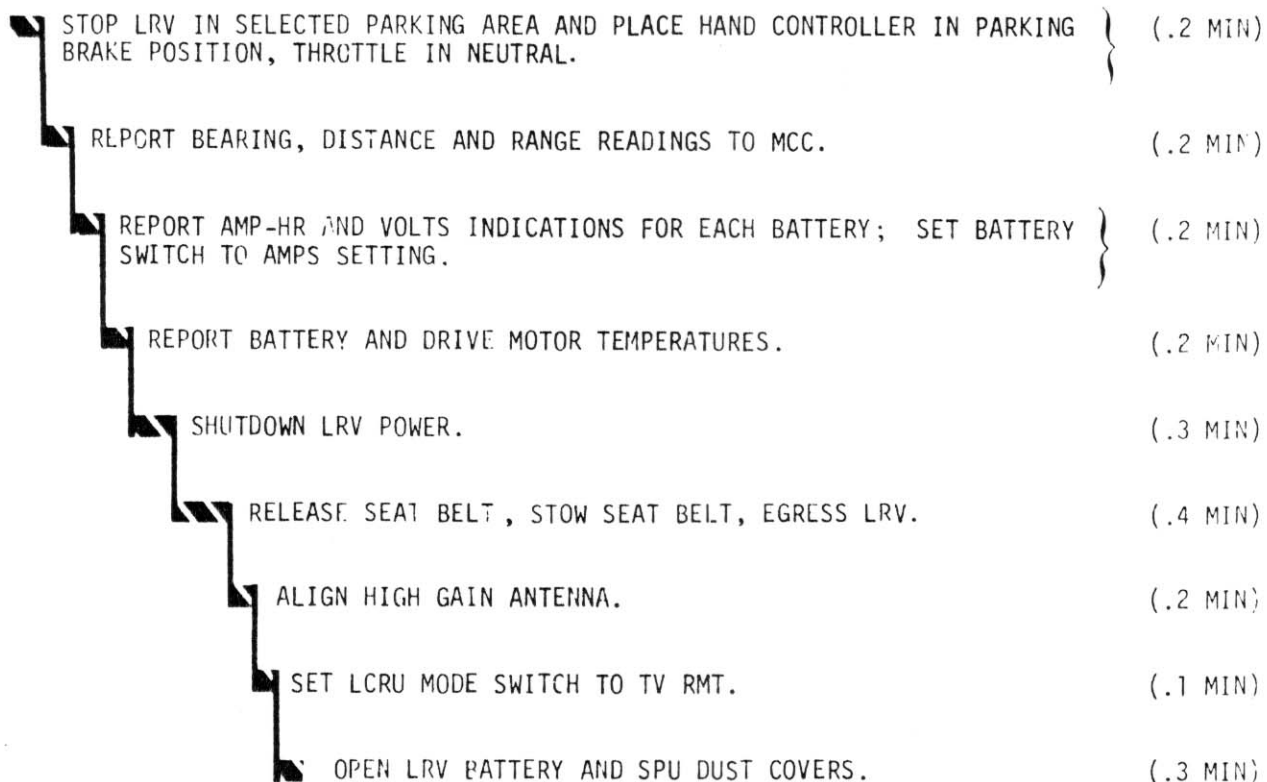
LS006-002-2H
LUNAR ROVING VEHICLE
OPERATIONS HANDBOOK



(TOTAL TIME 3.7 MIN. PLUS
EQUIPMENT LOADING TIME)

FIGURE 6-3. PRE-SORTIE CHECKOUT AND PREPARATION TIMELINE
(CONTINUED)

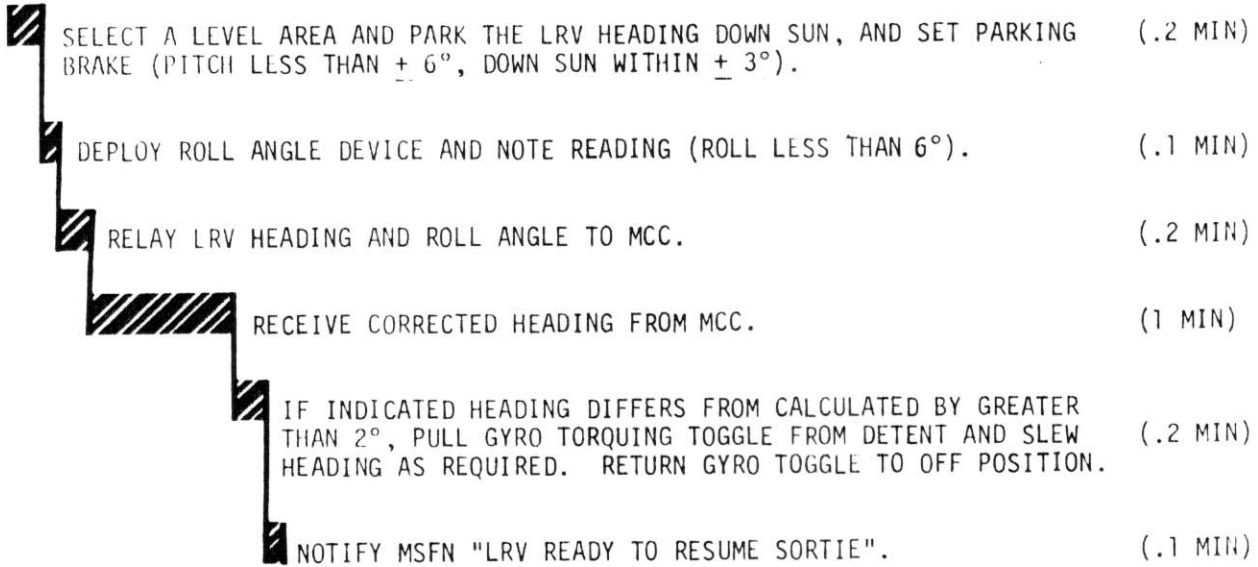
LS006-002-2H
LUNAR ROVING VEHICLE
OPERATIONS HANDBOOK



TOTAL TIME 2.1 MIN

FIGURE 6-4. POST-SORTIE SHUTDOWN
TIMELINE

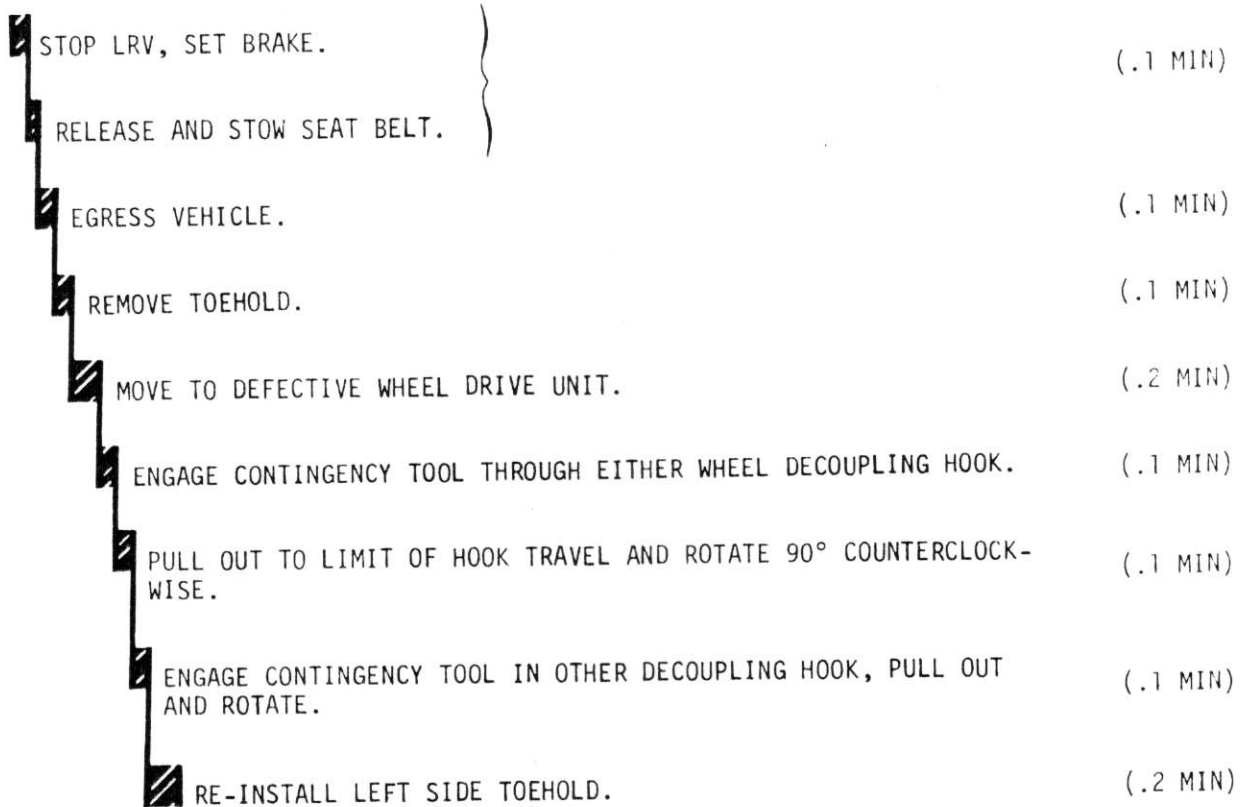
LS006-002-2H
LUNAR ROVING VEHICLE
OPERATIONS HANDBOOK



TOTAL TIME 1.8 MIN

FIGURE 6-5. NAVIGATION UPDATE TIMELINE

LS006-002-2H
LUNAR ROVING VEHICLE
OPERATIONS HANDBOOK



1G TRAINER NOTE

TIMES ARE IDENTICAL FOR 1G TRAINER
SIMULATED DECOUPLING. (SEE FIGURE
6-9 FOR ACTUAL TIME REQUIRED FOR
TECHNICIAN TO EFFECT DECOUPLING)

TOTAL TIME (1.0 MIN)

FIGURE 6-6. LRV TRACTION DRIVE DECOUPLING TIMELINE
(CONTINGENCY OPERATION)

LS006-002-2H
LUNAR ROVING VEHICLE
OPERATIONS HANDBOOK

| | |
|---|----------|
| STOP LRV AND SET BRAKE. TURN DRIVE POWER AND STEERING OFF | (.2 MIN) |
| RELEASE AND STOW SEAT BELT. | (.1 MIN) |
| EGRESS VEHICLE. | (.2 MIN) |
| MOVE TO LEFT FRONT OR RIGHT REAR DECOUPLING RING LOCATION AS APPROPRIATE. | (.2 MIN) |
| PULL STEERING DECOUPLING RING AS APPROPRIATE. | (.1 MIN) |
| MANUALLY STRAIGHTEN WHEELS OF DEFECTIVE DRIVE SYSTEM. MOVEMENT OF WHEEL MAY BE NECESSARY FOR DECOUPLING | (.3 MIN) |

1G TRAINER NOTE

TIMES ARE IDENTICAL FOR 1G TRAINER
SIMULATED DECOUPLING. (SEE FIGURE
6-10 FOR ACTUAL TIME REQUIRED FOR
TECHNICIAN TO EFFECT DECOUPLING)
TOTAL TIME 1.1 MIN

FIGURE 6-7. LRV STEERING DECOUPLING TIMELINE
(CONTINGENCY OPERATION)

LS006-002-2H
LUNAR ROVING VEHICLE
OPERATIONS HANDBOOK

| | |
|--|----------|
| STOP LRV AND SET BRAKE. TURN DRIVE POWER AND STEERING OFF | (.2 MIN) |
| RELEASE AND STOW SEAT BELT | (.1 MIN) |
| EGRESS VEHICLE | (.2 MIN) |
| MOVE TO AREA FRONT OF RIGHT REAR FENDER | (.2 MIN) |
| RELEASE RECOUPLING TOOL TIEDOWN VELCRO STRAP AND REMOVE RECOUPLING TOOL FROM STOWAGE BLOCK | (.1 MIN) |
| PULL TAB TO OPEN REAR STEERING SECTOR DUST COVER AND PULL DUST COVER BACK | (.1 MIN) |
| PUSH BUTTON ON TOP OF SECTOR GEAR TO RE-ENGAGE GEAR | (.1 MIN) |
| INSERT RECOUPLING TOOL IN TOP OF RAISED AREA ON SECTOR GEAR, ROTATE TOOL TO ENGAGE LOCK PIN AND LIFT TOOL UNTIL PIN LOCKS IN RAISED POSITION. REMOVE TOOL. | (.2 MIN) |
| REPLACE STEERING SECTOR DUST COVER | (.1 MIN) |
| REPLACE RECOUPLING TOOL IN STOWAGE BLOCK AND SECURE WITH VELCRO STRAP. | (.1 MIN) |

1G Trainer Note

RECOUPLING OF THE REAR STEERING FOR THE 1G
TRAINER WILL BE PERFORMED BY A TECHNICIAN.

TOTAL TIME 1.4 MINUTES

FIGURE 6-8. LRV REAR STEERING RECOUPLING TIMELINE (CONTINGENCY
OPERATION)