

TYPOGRAPHICAL CORRECTIONS TO *CDMA Systems Engineering Handbook*
19 January 1999

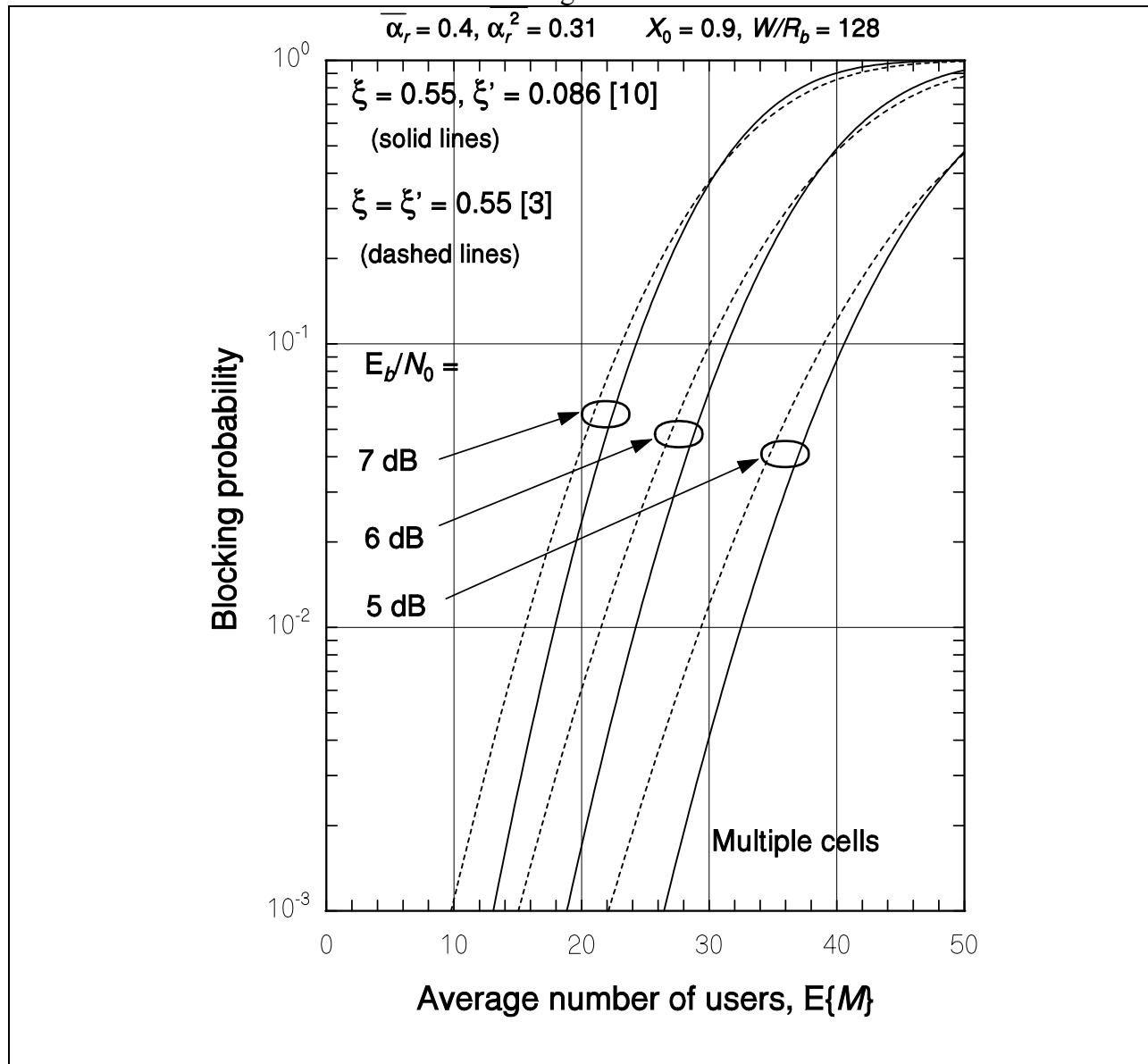
Page	Correction	File
x	“Multlplexing” corrected to “Multiplexing”	Contents.wxp
1	Frequency assignments (bullets at bottom of page) switched!	Intro.wxp
25	Two incorrect references to (1.13c) changed to (1.17c)	Intro3.wxp
36	ω changed to ω_0 at bottom of page	Intro3.wxp
37	ω changed to ω_0 at top of page	Intro3.wxp
42	Incorrect reference to (1.20) changed to (1.24)	Intro3.wxp
43	“rectangular window $\text{sinc}(f/2W)$ ” changed to “rectangular window $\text{Rect}(f/2W)$ ”	Intro3.wxp
51	Period removed from (1.31b)	Intro4.wxp
59	Needed “the” inserted on bottom line	Intro4.wxp
62	Missing references to Figures 1.51 and 1.52 added	Intro5.wxp
154	Extra quotation mark in [1] removed	Intro8.wxp
776	Missing brackets added to (7.103b)	Modem7.wxp
1166	Incorrect “ ρ_{traf} ” in Figure 11.20 changed to “ ρ_{pil} ”	Cdmaopt3.wxp, asymcap2.gra
1171	“ $N_m L_{\text{net}}$ ” in (11.39a) changed to “ $N_m L_T(R)$ ”	Cdmaopt4.wxp

TYPOGRAPHICAL CORRECTIONS TO *CDMA Systems Engineering Handbook*
SECOND SET OF CORRECTIONS
22 June 1999

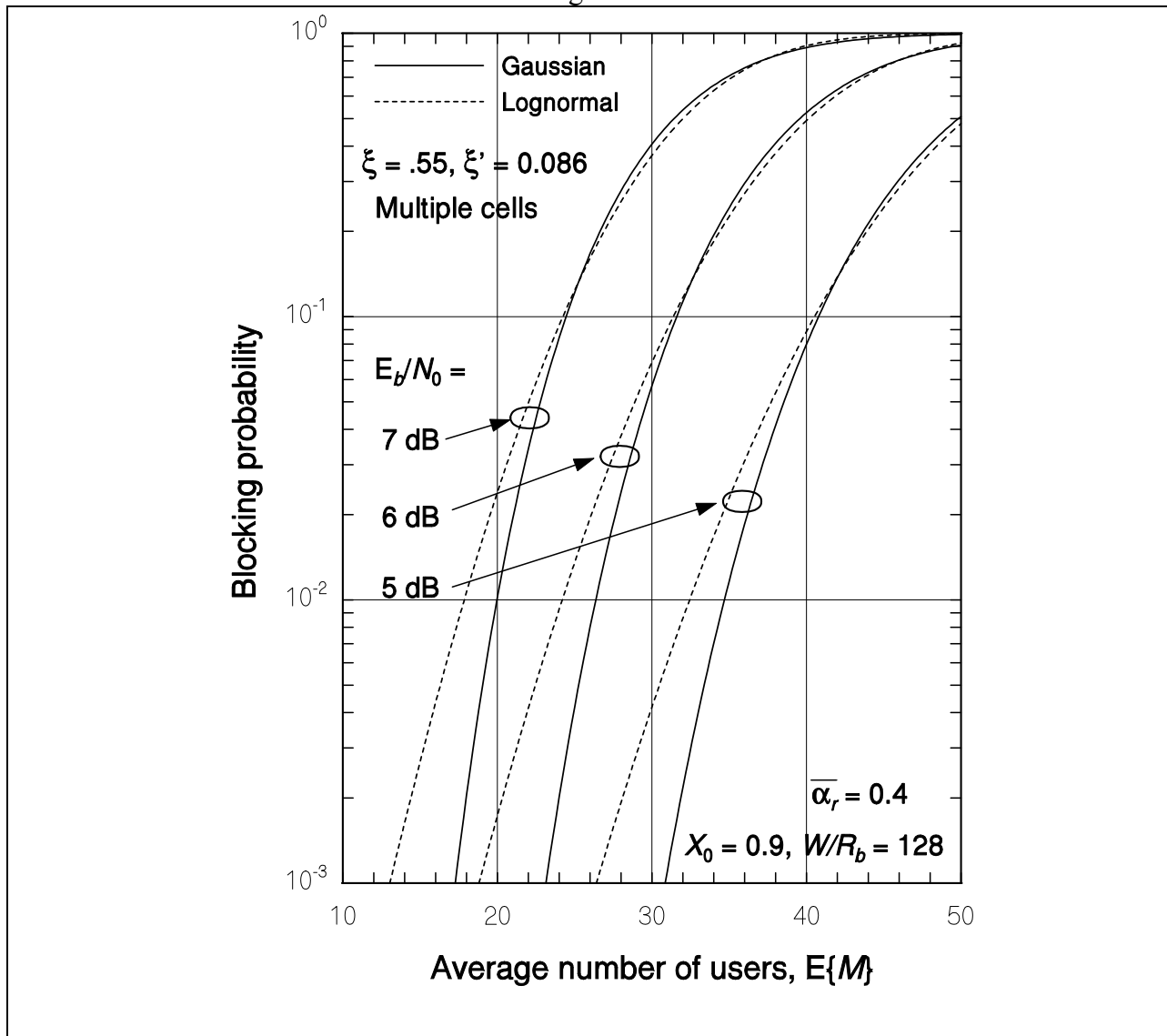
Page	Correction	File
446	Subscripts in (5.17a) and (5.17b): i should be first.	Walcrc2.wxp
565	Fourth element in bottom row of matrix in (6.17d) should be c_{n-3} , not c_{n-1}	Pnseq.wxp
565	Third element in left column of matrix in (6.17f) should be c_{n-3} , not c_3	Pnseq.wxp
593	Third line of 6.3.4: “register” should be “registor”	Pnseq3.wxp
596	“the the”	pnseq3.wxp
602	Last character on page: “ n ” should be “4”	pnseq3.wxp
770	Two places: “BPSK” should be “QPSK”	Modem7.wxp
797	Top line: “waveforms” should be singular	Modem9.wxp
833	End of line above “(7D.7b)”: “[1 + 2•0 + 1]” should be “[1 – 2•0 + 1]”	Modem10.wxp
1070	(10.61c) should have $e^{\beta^2 \sigma_{dB}^2}$ in the numerator inside the brackets	Cdmaeng4.wxp
1071	Corrections to (10.62a) and (10.62b) in accordance with the correction to (10.61c)	Cdmaeng4.wxp
1071	5th and 4th lines from the bottom: 18, 24, and 33 should be 16, 22, and 29	Cdmaeng4.wxp
1072	Figure 10.30 should be replaced with new calculations	Cdmaeng4.wxp

1073	Figure 10.31 should be replaced with new calculations	Cdmaeng4.wxp
1074	4th line: 18, 24, and 26% should be 16, 22, and 35%	Cdmaeng4.wxp
1074	7th line from bottom: “nearly the same result for CDMA blocking probability” should be “similar results for CDMA blocking probabilities greater than 1%.”	Cdmaeng4.wxp
1075	Figure 10.32 should be replaced with new calculations	Cdmaeng5.wxp
1076	Figure 10.33 should be replaced with some new calculation	Cdmaeng5.wxp

New Figure 10.32



New Figure 10.33



TYPOGRAPHICAL CORRECTIONS TO *CDMA Systems Engineering Handbook*
 THIRD SET OF CORRECTIONS
 18 October 1999

Page	Correction	File
166	Capitalize beginning of line following (2.4a)	Moprop.wxp
178	Capitalize beginning of line following (2.18a)	Moprop2.wxp
220	Delete "multipath signals" at top of page (duplicated from previous page!)	Moprop7.wxp
227	"recived" corrected to "received"	Moprop7.wxp
232	"space-frequency" corrected to "spaced-frequency"	Moprop7.wxp
234	"affects" corrected to "effects"	Moprop7.wxp

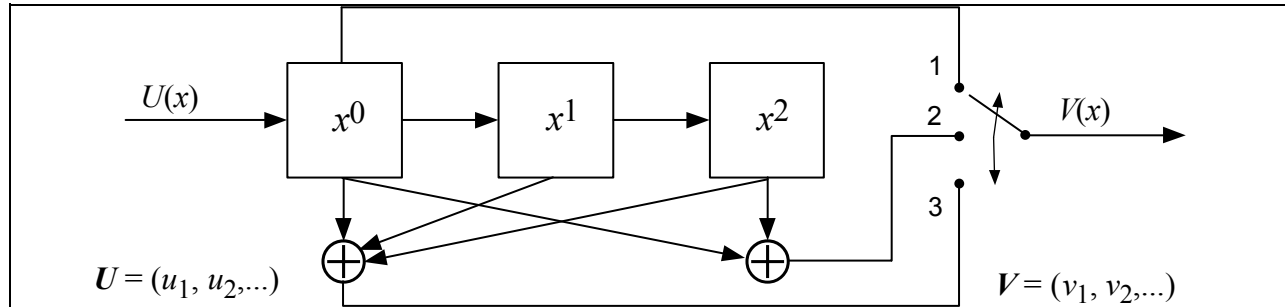
244	Equal sign missing after first 0.7172 in (2.110a)	Moprop8.wxp
247	"speed" corrected to "speed" on first line	Moprop8.wxp
247	"fade rate" corrected to "fade duration" in line before (2.112a)	Moprop8.wxp
372	"are" corrected to "there are" on first line of second paragraph	Is95ov3.wxp
372	"Therefore" corrected to "Therefore"	Is95ov3.wxp
373	"an small amount" corrected to "a small amount"	Is95ov4.wxp
427	3rd line from bottom: (0, 1) corrected to (0, T)	Walcrc.wxp
473	(5.41b): Missing correlation with W_{14} was added	Walcrc3.wxp
474	2nd paragraph of 5.5.2: "set if" corrected to "set of"	Walcrc3.wxp
476	Example 5.19: "by given by" corrected to "be given by"	Walcrc3.wxp
626	Last line: "autocorrelations" corrected to "autocorrelation"	Pnseq5.wxp
722	Corrected font used for subscript Q in (7.35c)	Modem3.wxp
722	Corrected first parts of equations (7.35b) and (7.35c)	Modem3.wxp
728	Changed the phase θ to θ' to distinguish from received phase	Modem3.wxp
730	Changed the phase θ to θ' to distinguish from received phase	Modem3.wxp

TYPOGRAPHICAL CORRECTIONS TO *CDMA Systems Engineering Handbook*
 FOURTH SET OF CORRECTIONS
 27 October 1999

Page	Correction	File
502	2nd line from bottom: 2^k corrected to 2^{n-k}	Walcrc4.wxp
504	Last line of definition: c_n corrected to c_{n-1}	Walcrc4.wxp
511	Step 4: added missing prime to remainder: $r'(x)$	Walcrc4.wxp
521	Equation above section 5.8.3: removed right parenthesis	Walcrc5.wxp
538	Made font of $g(x)$ consistent by changing to $\mathbf{g}(x)$	Walcrc7.wxp
540	Made font of $g(x)$ consistent by changing to $\mathbf{g}(x)$	Walcrc7.wxp
851	Bottom line: font of G changed to make it consistent	Cvcod.wxp
858	Figure 8.11: notation changed for consistency	Cvcod2.wxp
861	5th line: "transition if" corrected to "transition is"	Cvcod2.wxp
873	4th line above (8.20a): "is" corrected to "are"	Cvcod4.wxp
876	5th line from bottom "single-state" corrected to "single state"	Cvcod4.wxp
880	Unnumbered equation: notation changed for consistency	Cvcod5.wxp
880	Last two paragraphs: bold added to \mathbf{a} where missing	Cvcod5.wxp
882	3rd line from bottom: "other" corrected to "other over"	Cvcod6.wxp
890	Section 8.4: "that" changed to "the" (2nd line), "the" changed to "a" (4th line), "difference" changed to "different" (5th line)	Cvcod6.wxp
892	2nd line before (8.26a): "of a" corrected to "of error for a"	Cvcod7.wxp
893	3rd line before (8.28a): second argument of P_2 corrected to be d	Cvcod7.wxp
901	1st line of (8.35c): numerator corrected to $D^3N (D- D^3N + D^3N)$	Cvcod7.wxp
958	2nd line after (9.19a): corrected to "independent squared Rayleigh"	Divers3.wxp
969	(9.31a): delete "2" just before last ρ_l in the equation	Divers3.wxp
982	Change the wording of the first two sentences of the final paragraph	Divers4.wxp

	<p>to read: "...transmitter uses the zero-offset I- and Q-code times of arrival to confine the search to mobile signals from users affiliated with that base station. The searcher receiver at the base station can distinguish the desired mobile signal by means of its unique scrambling long PN code offset, acquired before voice or data transmission begins on the link using a special preamble for that purpose."</p>	
--	--	--

New Figure 8.11



TYPOGRAPHICAL CORRECTIONS TO *CDMA Systems Engineering Handbook*
 FIFTH SET OF CORRECTIONS
 24 November 1999

Page	Correction	File
451	3rd paragraph: "from multiplication table" corrected to "from the multiplication table"	Walcrc2.wxp
547	3rd line below (6.6a): (6.2-2) corrected to (6.5b)	Pnseq.wxp
549	4th line: "Another method" changed to "Another addition method"	Pnseq.wxp
564	4th line of second paragraph: replace "the loading vector" with "a"	Pnseq.wxp
564	T corrected to T_S in (6.17b)	Pnseq.wxp
565	Lines above (6.17f): "these equation" corrected to "these equations"	Pnseq.wxp
565	2nd line after (6.17f): "PN based" corrected to "PN generator based"	Pnseq.wxp
1042	Line above (10.35e): corrected font of quantity X	Cdmaeng3.wxp
1060	Line below (10.51a): corrected font of first character on line	Cdmaeng4.wxp
1065	Line above (10.59a): delete "and"	Cdmaeng4.wxp
1087	3rd line from bottom: correct "assumption" to "assumptions"	Cdmaeng5.wxp
1087	2nd line from bottom: correct "channels" to "channels with $N = 30$ "	Cdmaeng5.wxp
1088	4th line of last paragraph: font of last character in "values" corrected	Cdmaeng5.wxp
1097	2nd line above (10.77): "26 log 835" corrected to "26 log ₁₀ 835"	Cdmaeng6.wxp
1103	Line 8: extra space deleted in "each propagation"	Cdmaeng6.wxp

TYPOGRAPHICAL CORRECTIONS TO *CDMA Systems Engineering Handbook*
SIXTH SET OF CORRECTIONS
 29 November 1999

Page	Correction	File
247	9th line from bottom: "Section 1.5.4" corrected to "Section 1.5.10"	Moprop8.wxp
1040	In (10.33e), d_r corrected to α_r	Cdmaeng3.wxp

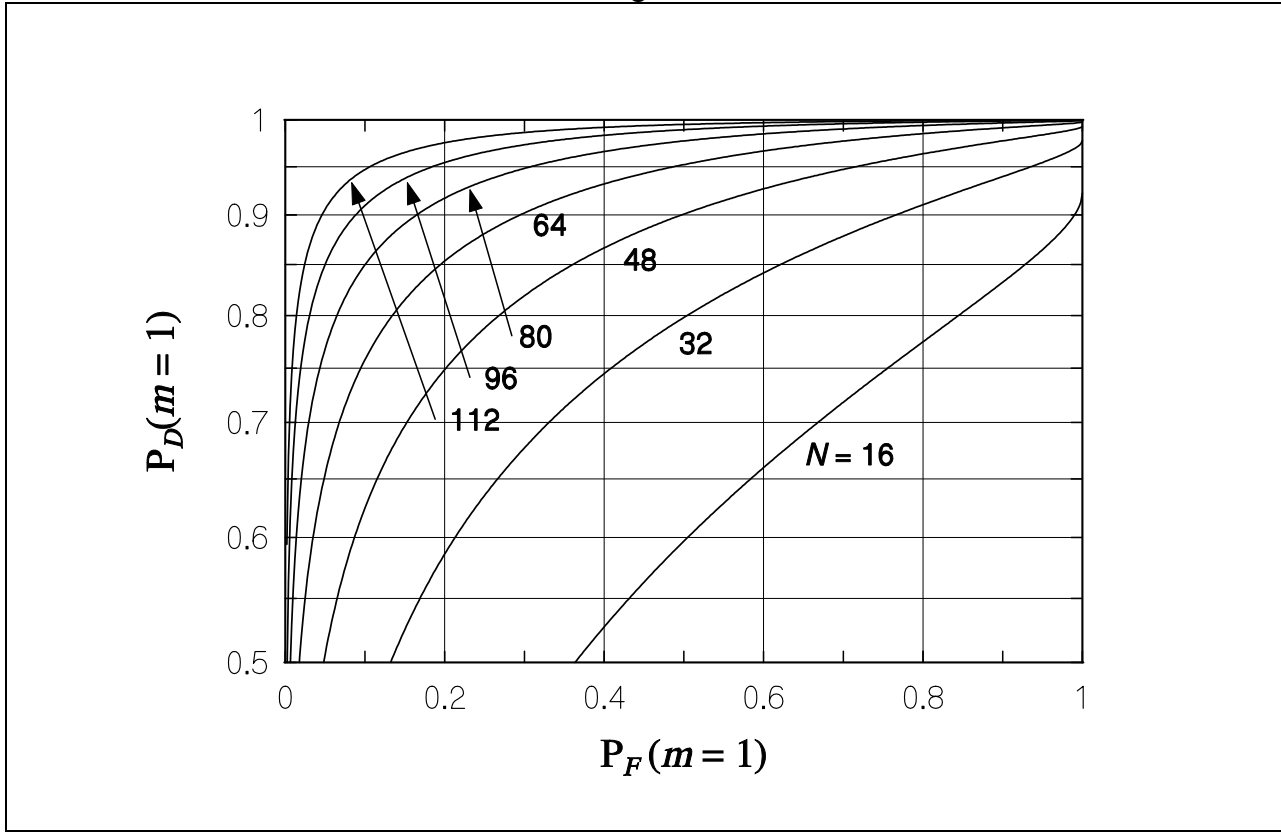
TYPOGRAPHICAL CORRECTIONS TO *CDMA Systems Engineering Handbook*
SEVENTH SET OF CORRECTIONS
 31 March 2000

Page	Correction	File
1041	In (10.35d), "-299" corrected to "-199"	Cdmaeng3.wxp
1045	In (10.37c), N_{tot} corrected to $N_{0,r}$	Cdmaeng3.wxp
1046	In (10.37f), N_{tot} corrected to $N_{0,r}$ (two places)	Cdmaeng3.wxp
1047	In middle of page, N_{tot} corrected to $N_{0,r}$	Cdmaeng3.wxp
1047	Last word on page corrected to "change"	Cdmaeng3.wxp
1175	5th line from the bottom: "as means" corrected to "as a means"	Cdmaopt4.wxp

TYPOGRAPHICAL CORRECTIONS TO *CDMA Systems Engineering Handbook*
EIGHTH SET OF CORRECTIONS
 9 August 2000

Page	Correction	File
672	2nd line of proof: subscript to f on right upper bracket is b, not a	Pnseq7.wxp
789	5th line from bottom: (7.118d) corrected to (7.118f)	Modem9.wxp
789	Bottom line: 224 corrected to 112	Modem9.wxp
790	Figure 7.64 replaced	Modem9.wxp
815	Name in Reference [12] is "Davenport", not "Daveport"	Modem10.wxp
971	1st line after (9.34a): "To the find" corrected to "To find"	Divers3.wxp

New Figure 7.64



TYPOGRAPHICAL CORRECTIONS TO *CDMA Systems Engineering Handbook*
 NINTH SET OF CORRECTIONS
 8 February 2001

Page	Correction	File
564	First line of (6.17a) corrected to $x_n(t+1) = x_{n-1}(t)$	Pnseq.wxp
564	Second line of (6.17a) corrected to $x_{n-1}(t+1) = x_{n-2}(t)$	Pnseq.wxp
564	Third line of (6.17a) corrected to $x_2(t+1) = x_1(t)$	Pnseq.wxp
565	Line following (6.17e): equation reference corrected to (6.17b)	Pnseq.wxp
569	14 th line from bottom: “the the” corrected to “the”	Pnseq.wxp
1059	Size of font on right side of (10.49b) corrected	Cdmaeng4.wxp

TYPOGRAPHICAL CORRECTIONS TO *CDMA Systems Engineering Handbook*
 TENTH SET OF CORRECTIONS
 24 May 2001

Page	Correction	File
182	Minus required after first equal sign in (2.23d)	Moprop2.wxp
192	$L_{\text{m}ds}$ in (2.31a) should be $L_{\text{m}sd}$	Moprop3.wxp
339	8 th line of second paragraph: spelling of “synchronization” corrected	Is95ov.wxp
343	2 nd line from bottom: spelling of “spectrum” corrected	Is95ov.wxp
352	3 rd line above (4.5): corrected “and and”	Is95ov2.wxp
356	2 nd line of Table 4.3: “Parameter” should be “Data rate”	Is95ov2.wxp

TYPOGRAPHICAL CORRECTIONS TO *CDMA Systems Engineering Handbook*
 ELEVENTH SET OF CORRECTIONS
 15 August 2001

Page	Correction	File
11	Insert the word “of” at the end of the second line after (1.4)	Intro2.wxp
1082	Following the heading “Ideal capacity equation,” the two sentences should read: “When we derived the ideal capacity equations, we neglected thermal noise, and perfect power control was assumed. The expression for the maximum number of users was given in (10.59d) as”	Cdmaeng5.wxp

TYPOGRAPHICAL CORRECTIONS TO *CDMA Systems Engineering Handbook*
 TWELFTH SET OF CORRECTIONS
 3 October 2001

Page	Correction	File
218	On the right side of (2.47) correct “t” to “ τ ”.	Moprop7.wxp
228	In the third term of (2.77b), correct “ α_2/κ ” to “ α_2 ”.	Moprop7.wxp

TYPOGRAPHICAL CORRECTIONS TO *CDMA Systems Engineering Handbook*
 THIRTEENTH SET OF CORRECTIONS
 25 April 2002

Page	Correction	File
753	Figure 7.48 corrected: $C_I(t - T/2)$ to $C_O(t - T/2)$	Modem5.wxp
1041	Numbers on right side of (10.35d) corrected: –138.1 to –137.9 and –108.1 to –107.9	Cdmaeng3.wxp

TYPOGRAPHICAL CORRECTIONS TO *CDMA Systems Engineering Handbook*
 FOURTEENTH SET OF CORRECTIONS
 21 October 2002

Page	Correction	File
183	Line above (2.24): $\frac{h_0^2}{d_r^2}$ corrected to $\frac{h_0^2}{2d_r^2}$	Moprop2.wxp

TYPOGRAPHICAL CORRECTIONS TO *CDMA Systems Engineering Handbook*
 FIFTEENTH SET OF CORRECTIONS
 4 November 2004

Page	Correction	File
173	Right side of (2.13a) corrected to: $\begin{cases} h_{gi}, & \text{random siting} \\ h_{gi} + \left[1 + c \sin\left(\frac{\pi h_{gi}}{10m}\right) \right] \cdot e^{-2h_{gi}/\Delta h}, & \text{selected siting}(h_{gi} \leq 5m) \\ h_{gi} + (1+c) \cdot e^{-2h_{gi}/\Delta h}, & \text{selected siting}(h_{gi} > 5m) \end{cases}$	Moprop.wxp
178	(2.16) corrected to: $h_{eb} = h_{gb} + (1+4)e^{-2h_{gb}/\Delta h} = 50 + 5e^{-2 \cdot 50/100} = 51.8 m$	Moprop2.wxp
895	$D = \sqrt{p(1-p)}$ corrected to $D = \sqrt{4p(1-p)}$ in (8.29e)	Cvcode7.wxp
904	Top curve uses (8.29d), not (8.29b)	Cvcode7.wxp
923	Corrected journal in citation of reference [8] to <i>IEEE Trans. on Communication Technology</i> , Vol. COM-19	Cvcode8.wxp