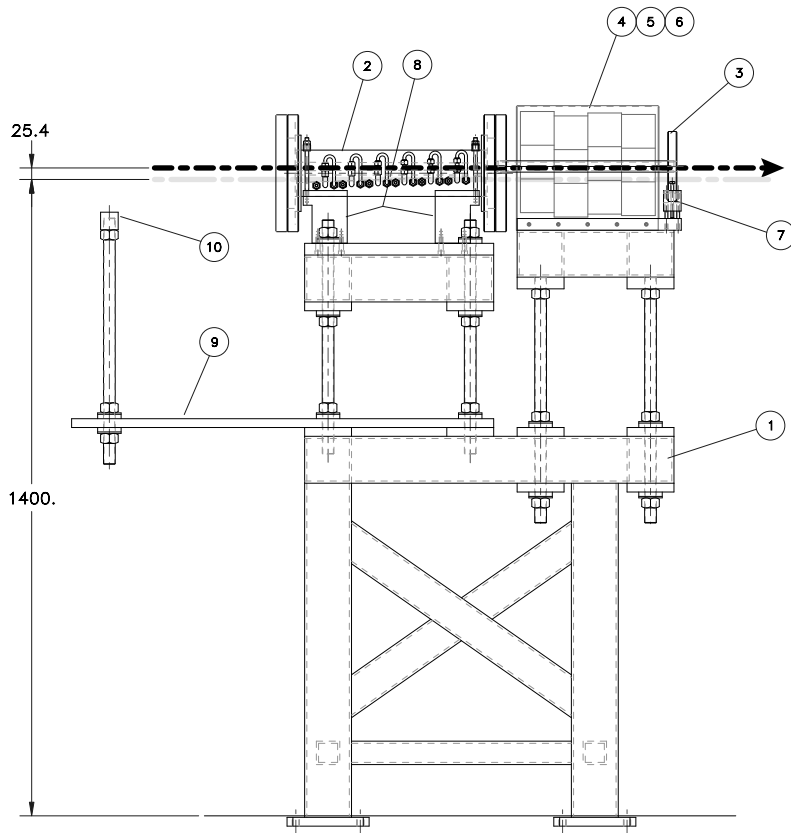
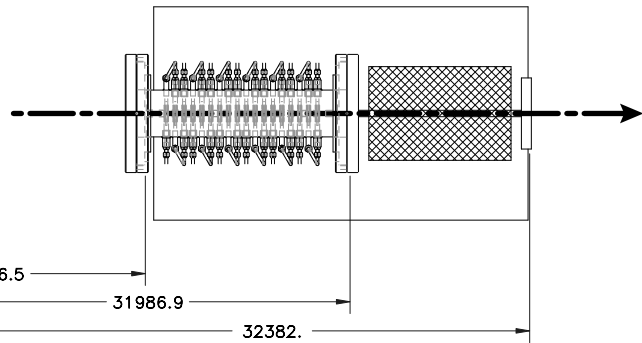


# White Beam Absorber Assembly



10	FLANGE SUPPORT BAR	IND. SPEC.	CMC-70537	CMC-50292	
9	SUPPORT PLATE				
8	SUPPORT BAR	IND. SPEC.	CMC-109-0103	CMC-50227	
7	FLANGE SUPPORT	IND. SPEC.	CMC-109-0102	CMC-50218	
6	SPACERS	IND. SPEC.	CMC-109-0104	CMC-50218	
5	LEAD BAR COVER	IND. SPEC.	CMC-109-0105	CMC-50218	
4	LEAD BARS	CENTRAL SHOP	CMC-109-0150	CMC-50231	
3	BS109 APERTURE TUBE ASSEMBLY	MDC	CMC-109-0106	CMC-50220	
2	FM109 W.B.A. ASSEMBLY		P4-91CM000-01		
1	W.B.A. TABLE	AM. GR.	CMC-109-0101	CMC-50215	
Item	Designator	Description	Vendor	Dwg./Part No.	P.O. #

**CMC-CAT**

DESIGN  
R.C. Hewitt  
R. Krakora  
T. Gog 630 252 0320

SCALE

DATE  
03/02/99

SHEET #

TITLE  
9-ID PRIMARY BEAMLINE  
SECTION 109

WHITE BEAM STOP  
BREMSSTRAHLUNG BEAM STOP

DWG  
P1DIS109