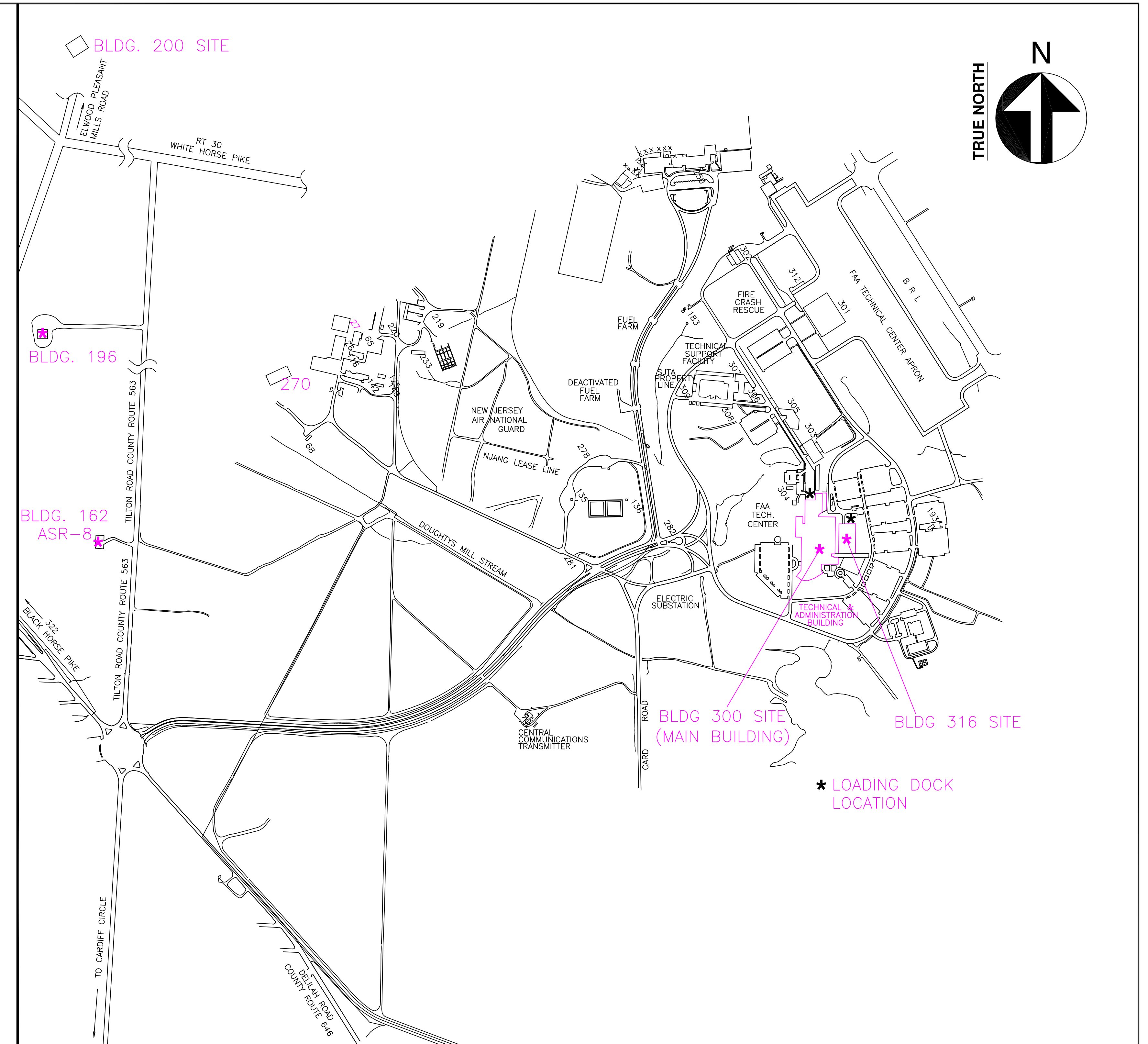




U.S. DEPARTMENT OF TRANSPORTATION  
FEDERAL AVIATION ADMINISTRATION

RAISED FLOOR CARPET CLEANING CONTRACT

**WILLIAM J. HUGHES  
FAA TECHNICAL CENTER  
ATLANTIC CITY INT'L AIRPORT  
NEW JERSEY**



**LOCATION MAP  
N.T.S.**

**INDEX OF DRAWINGS**

**ARCHITECTURAL, ELECTRICAL, & MECHANICAL**

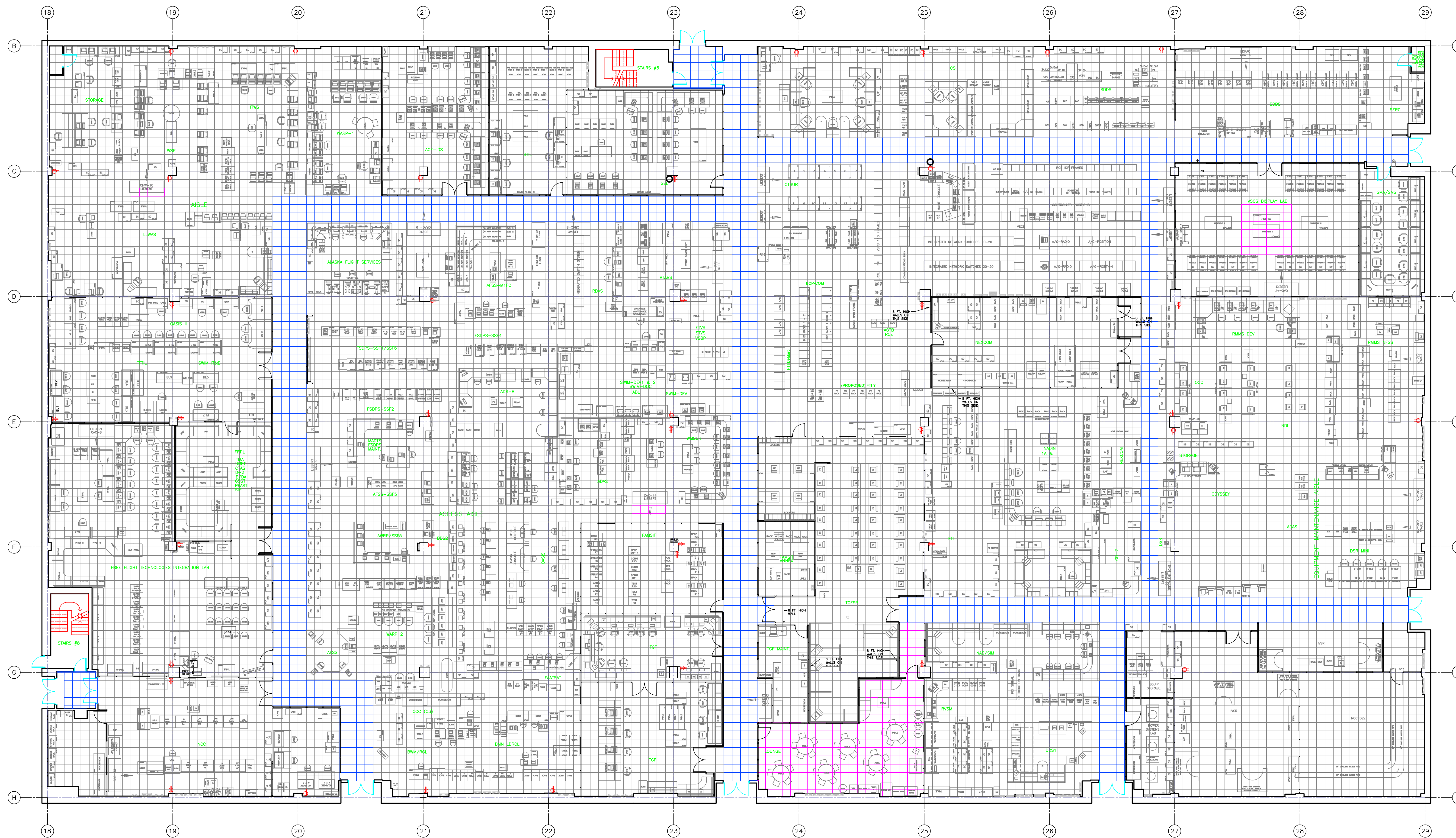
<b>DRAWING NUMBER</b>	<b>SHEET #</b>	<b>TITLE</b>	<b>CAD FILE</b>
CT-E-101731-G01 (CS)	SHEET 1 OF 4	COVER SHEET	WJHTC-BLDG300-2-2007-06-1
CT-E-101731-A01 (FP,L & N)	SHEET 2 OF 4	FLOOR PLAN, LEGEND & NOTES 2ND FLOOR BUILDING 300	WJHTC-BLDG300-2-2007-06-1
CT-E-101732-A02 (FP,L & N)	SHEET 3 OF 4	FLOOR PLAN, LEGEND & NOTES 3RD FLOOR BUILDING 300	WJHTC-BLDG300-3-2007-06-2
CT-E-101733-A03 (FP,L & N)	SHEET 4 OF 4	FLOOR PLAN, LEGEND & NOTES 3RD FLOOR BUILDING 316	WJHTC-BLDG316-3-2007-06-3

FOR REFERENCE USE ONLY

REV	DATE	DESCRIPTION	CHECK	APRVD
UNITED STATES DEPARTMENT OF TRANSPORTATION FEDERAL AVIATION ADMINISTRATION WILLIAM J. HUGHES TECHNICAL CENTER ATLANTIC CITY INT'L AIRPORT, N.J. 08405				
FAA				
<b>RAISED FLOOR CARPET CLEANING CONTRACT</b> <b>COVER SHEET</b> <b>LABORATORY MAPS</b> <b>2ND &amp; 3RD FLOOR BUILDING 300 AND 3RD FLOOR BUILDING 316</b>				
FILE: S:\jones\convert\WJHTC-BLDG300-2-2007-06-1.dwg				
APPROVED BY	ISSUED/SUBMITTED BY		APPROVED BY	
H. VAZQUEZ	LABORATORY ENGINEERING TEAM		H. VAZQUEZ	
D. BATTIN			SITE INFRASTRUCTURE SYSTEM ENGINEER FOR LABORATORY ENGINEERING	
DISSEFANO	DESIGN: WICKERSHAM	ISSUE #	DATE: 8/7/07	
	DRAWN: HILL	ACC-40 ORDER #	DRAWING NO.	SHEET 1 OF 4 REV.
	CHECK: HILL	ACC-40 WORK REQUEST #	CT-E-101731-G01	

**PROJECT NOTES**

- 1.) INFORMATION ACCURATE AS OF 6/8/07.
- 2.) GENERAL USE ONLY. DRAWINGS MAY NOT REFLECT ACTUAL DIMENSIONS AND OR ARRANGEMENT.
3. LABORATORIES ARE DYNAMIC. OPEN-SPACE, WALLS AND OR EQUIPMENT MAY CHANGE AT ANYTIME.
4. ALL WORK MUST COMPLY WITH THE ATTACHED SPECIFICATIONS (REF. DOC.-CT-E-101731).

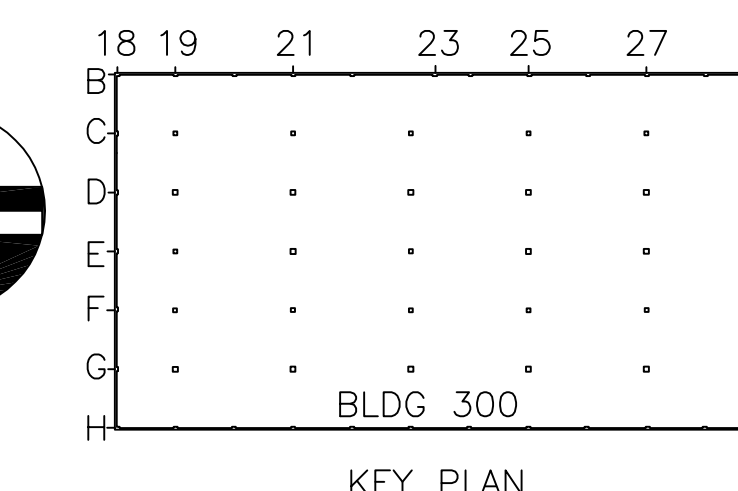


**FLOOR PLAN**

SCALE: 3/32" = 1'-0"

**LEGEND**

- 2' X 2' RAISED FLOOR TILE W/CARPET
- OR 2' X 2' MANDATORY EGRESS ROUTE FLOOR TILE W/CARPET
- INACCESSIBLE OR 2' X 2' RAISED FLOOR TILE W/LAMINATE
- ELECTRICAL OUTLET ON COLUMN OR WALL
- SURGE STRIP NEEDED



KEY PLAN

FOR REFERENCE USE ONLY

REV	DATE	DESCRIPTION	CHECK/APPV'D
UNITED STATES DEPARTMENT OF TRANSPORTATION FEDERAL AVIATION ADMINISTRATION WILLIAM J. HUGHES TECHNICAL CENTER ATLANTIC CITY INT'L AIRPORT, N.J. 08405			
<b>RAISED FLOOR CARPET CLEANING CONTRACT</b> <b>FLOOR PLAN, LEGEND AND NOTES</b> <b>LABORATORY MAP</b> <b>2ND FLOOR BUILDING 300</b>			FAA 2
<small>FILES:\jones\convert\WJHC-BLDG300-2-2007-06-1.dwg</small>			
<small>APPROVED BY</small> H.VAZQUEZ		<small>ISSUED/SUBMITTED BY</small> LABORATORY ENGINEERING TEAM	
<small>DESIGNED BY</small> D.BATTIN		<small>APPROVED BY</small> SITE INFRASTRUCTURE SYSTEM ENGINEER FOR LABORATORY ENGINEERING	
<small>DIST/FANO</small> DESIGN: WICKERSHAM		<small>DATE</small> 8/7/07	
<small>DRAWN</small> HILL		<small>DRAWING NO.</small> CT-E-101731-A01	
<small>CHECK</small> HILL		<small>WORK REQUEST #</small> CT-E-101731-A01	

**PROJECT NOTES**

- 1.) INFORMATION ACCURATE AS OF 5/24/07.
- 2.) GENERAL USE ONLY. DRAWINGS MAY NOT REFLECT ACTUAL DIMENSIONS AND OR ARRANGEMENT.
3. LABORATORIES ARE DYNAMIC. OPEN-SPACE. WALLS AND OR EQUIPMENT MAY CHANGE AT ANYTIME.
4. ALL WORK MUST COMPLY WITH THE ATTACHED SPECIFICATIONS (REF. DOC.-CT-E-101732).

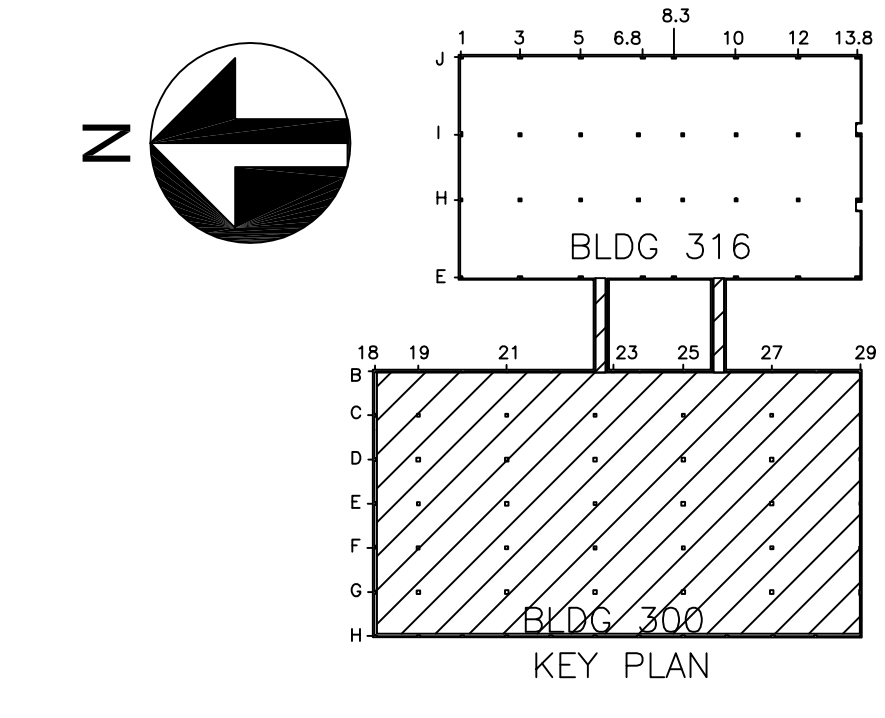


**FLOOR PLAN**  
SCALE: 3/32" = 1'-0"

**LEGEND**

- 2' x 2' RAISED FLOOR TILE W/CARPET
- OR 2' x 2' MANDATORY EGRESS ROUTE FLOOR TILE W/CARPET
- INACCESSIBLE OR 2' x 2' RAISED FLOOR TILE W/LAMINATE
- ELECTRICAL OUTLET ON COLUMN OR WALL
- SURGE STRIP NEEDED

FOR REFERENCE USE ONLY



REV	DATE	DESCRIPTION	CHECK	APPR'D

UNITED STATES DEPARTMENT OF TRANSPORTATION  
FEDERAL AVIATION ADMINISTRATION  
WILLIAM J. HUGHES TECHNICAL CENTER  
ATLANTIC CITY INT'L AIRPORT, N.J. 08405

FAA

**RAISED FLOOR CARPET CLEANING CONTRACT  
FLOOR PLAN, LEGEND AND NOTES  
LABORATORY MAP  
3RD FLOOR BUILDING 300**

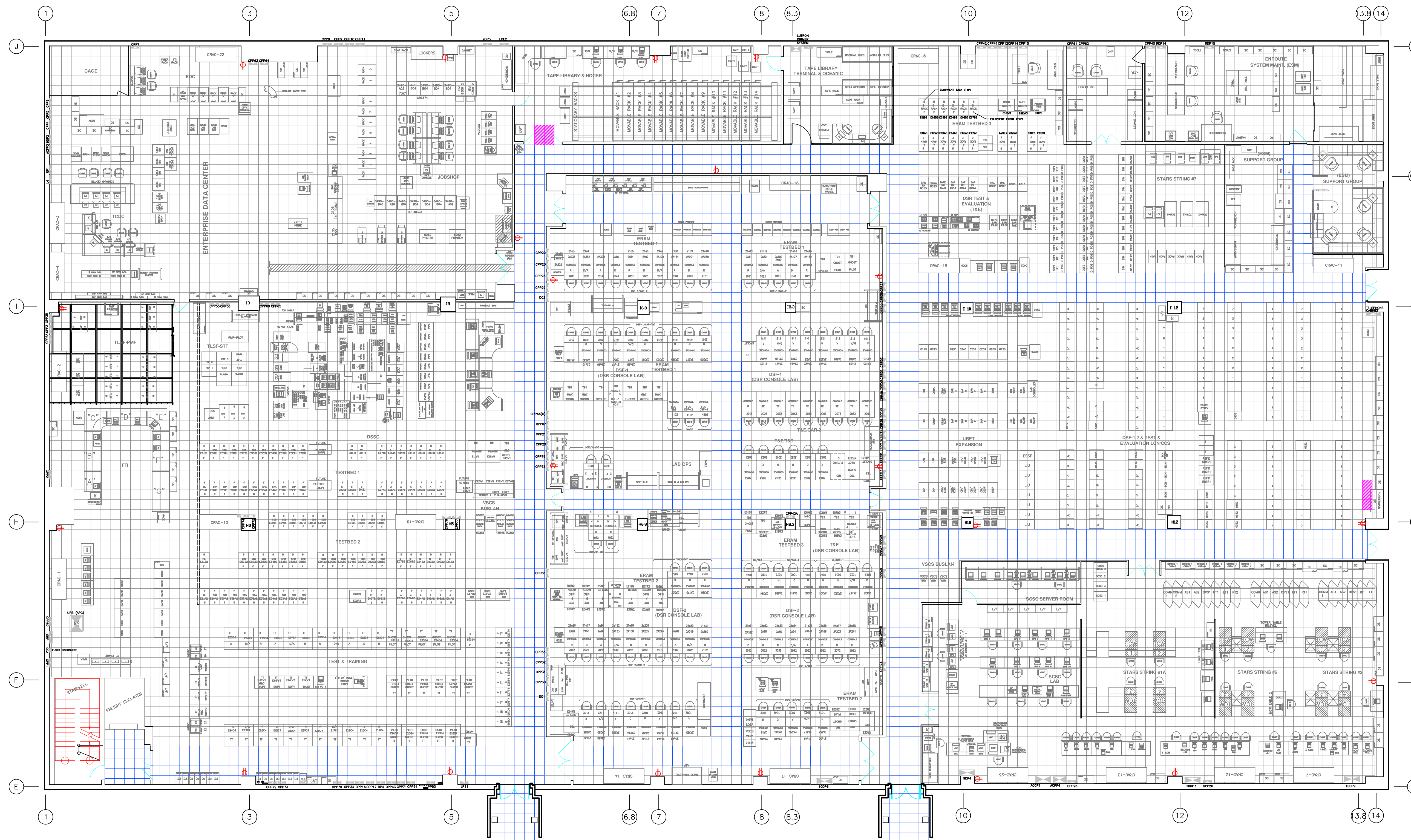
FILES:\jones\convert\WJHTC-BLDG300-3-2007-06-2.dwg

APPROVED BY	ISSUED/SUBMITTED BY	APPROVED BY
H.VAZQUEZ	LABORATORY ENGINEERING TEAM	H. VAZQUEZ
D.BATTIN		SITE INFRASTRUCTURE SYSTEM ENGINEER FOR LABORATORY ENGINEERING
DISTEFANO	DESIGN: WICKERSHAM	DATE: 8/7/07
	PKG-850 TR NUM: 1311	DRAWING NO.
	DRAWN: HILL	CHECK-40 ORDER NUM:
	CHECK: HILL	ACK-40 APPROVAL:
		CT-E-101732-A02

SHEET 3 OF 4 REV.

**PROJECT NOTES**

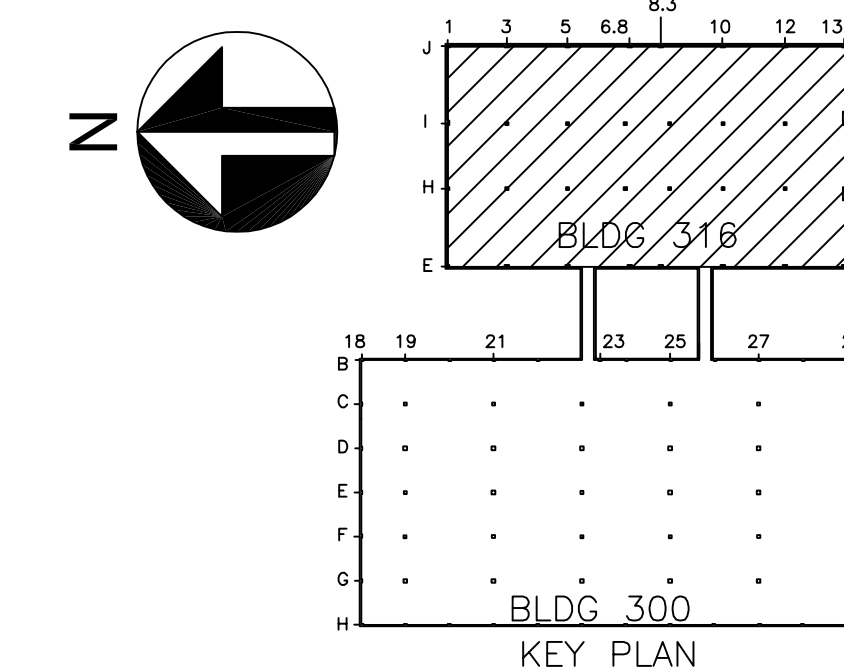
- 1.) INFORMATION ACCURATE AS OF 6/8/07.
- 2.) GENERAL USE ONLY, DRAWINGS MAY NOT REFLECT ACTUAL DIMENSIONS AND OR ARRANGEMENT.
3. LABORATORIES ARE DYNAMIC, OPEN-SPACE. WALLS AND OR EQUIPMENT MAY CHANGE AT ANYTIME.
4. ALL WORK MUST COMPLY WITH THE ATTACHED SPECIFICATIONS (REF. DOC.-CT-E-101733).



**FLOOR PLAN**  
SCALE: 3/32" = 1'-0"

**LEGEND**

- 2' x 2' RAISED FLOOR TILE W/CARPET
- OR 2' x 2' MANDATORY EGRESS ROUTE FLOOR TILE W/CARPET
- INACCESSIBLE OR 2' x 2' RAISED FLOOR TILE W/LAMINATE
- ELECTRICAL OUTLET ON COLUMN OR WALL
- SURGE STRIP NEEDED



FOR REFERENCE USE ONLY

REV	DATE	DESCRIPTION	CHECK	APPR'D

UNITED STATES DEPARTMENT OF TRANSPORTATION  
FEDERAL AVIATION ADMINISTRATION  
WILLIAM J. HUGHES TECHNICAL CENTER  
ATLANTIC CITY INT'L AIRPORT, N.J. 08405

FAA

RAISED FLOOR CARPET CLEANING CONTRACT  
LABORATORY MAP, LEGEND & NOTES  
LABORATORY MAP  
3RD FLOOR BUILDING 316

APPROVED BY H. VAZQUEZ D. BATTIN	ISSUED/SUBMITTED BY LABORATORY ENGINEERING TEAM	APPROVED BY H. VAZQUEZ SITE INFRASTRUCTURE SYSTEM ENGINEER FOR LABORATORY ENGINEERING
DESIGN: WICKERSHAM	DATE: 8/7/07	SHEET 4 OF 4 REV.
DRAWN: HILL	DRAWING NO.	
CHECK: HILL	CT-E-101733-A03	