

SUPPRESSION OF A NON-PREMIXED FLAME BEHIND A STEP

WILLIAM GROSSHANDLER,¹ ANTHONY HAMINS,¹ KEVIN MCGRATTAN,¹ S. RAO CHARAGUNDLA²
AND CARY PRESSER²

¹*Building and Fire Research Laboratory
National Institute of Standards and Technology
Gaithersburg, MD 20899-8650, USA*

²*Chemical Science and Technology Laboratory
National Institute of Standards and Technology
Gaithersburg, MD 20899-8360, USA*

Because of its many positive attributes, halon 1301, or trifluorobromomethane (CF_3Br), has been used as a fire extinguishing agent in many applications, including aircraft, ships, and specialized structures. Due to its high ozone depletion potential, however, world-wide production was halted in 1994. In the search for a long-range replacement, novel types of extinguishing agents and delivery mechanisms are under development. To gauge the suitability of a replacement agent, methods are needed to evaluate the material's suppression effectiveness under conditions that relate to field applications.

In this study, a laboratory-scale facility has been developed to screen the suppression effectiveness of agents that are delivered in a transient fashion, such as solid propellant gas generators. The facility features a pool fire stabilized behind an obstruction, which is known to be a highly challenging suppression configuration. The character of the flame and the impact of the air flow, propane flow, obstruction geometry, and rate of agent addition on the amount of material needed for suppression are examined for N_2 and CF_3Br . The impact of the injection process on the flowfield and the transport of the agent downstream are examined. A simple mixing model is useful to explain the observed trend of decreasing suppressant mass fraction with increasing injection duration, even for agents as different as CF_3Br and N_2 . Direct numerical simulation of the suppression event is shown to successfully predict the quantity and rate of N_2 required to extinguish the flame based upon a published global reaction rate for premixed propane/air flame propagation.

Introduction

Agent suppression effectiveness is typically measured by experiments in quasi-laminar diffusion flames (e.g., cup burner or counterflow burner) [1]. Those experiments are conducted by increasing the agent flow slowly until a critical mole fraction is achieved in the oxidizer and flame extinction is observed. In practice, however, agents designed to replace CF_3Br are discharged rapidly, not quasi-statically. Solid propellant gas generators (SPGGs), for example, typically discharge in 60–600 ms. A robust and repeatable means to evaluate the effectiveness of different formulations and burning rates is required, which is impossible with conventional screening devices.

A few researchers have investigated the effectiveness of an agent in suppressing baffle-stabilized flames [2–6]. Hirst, Dyer, and co-workers developed a wind tunnel to explore the impact of step height, air flow, pressure, and agent mass requirements on the suppression of a pool fire [2–4]. Hirst et al. [3] concluded that liquid pool fires established behind an obstacle are highly challenging to extinguish. This

is recognized in the gas turbine industry, in which combustors and afterburners exploit the enhanced stability associated with combustion in a recirculation zone [7]. Hamins et al. [5] developed a phenomenological model to characterize the stability of baffle-stabilized fires. Takahashi et al. [6] examined the character of methane/air flames for varying air velocity and baffle step height. The amount of halon 1301 required to suppress the flames as a function of the flow parameters and injection interval was measured.

This paper describes an experimental facility and numerical modeling study of the suppression effectiveness of different agents discharged in a transient manner into a baffle-stabilized pool fire. The transient application recirculating pool fire (TARPF) is designed to simulate challenging fire situations and to precisely control the air flow, agent mass, discharge rate, and discharge duration. Air is metered through a sonic orifice to overcome the unintended disruption that occurred in previous studies during the agent discharge period [2–4,6]. The influence of common geometric complexities (baffles, a backward-facing step, and a cavity) on flowfield dynamics

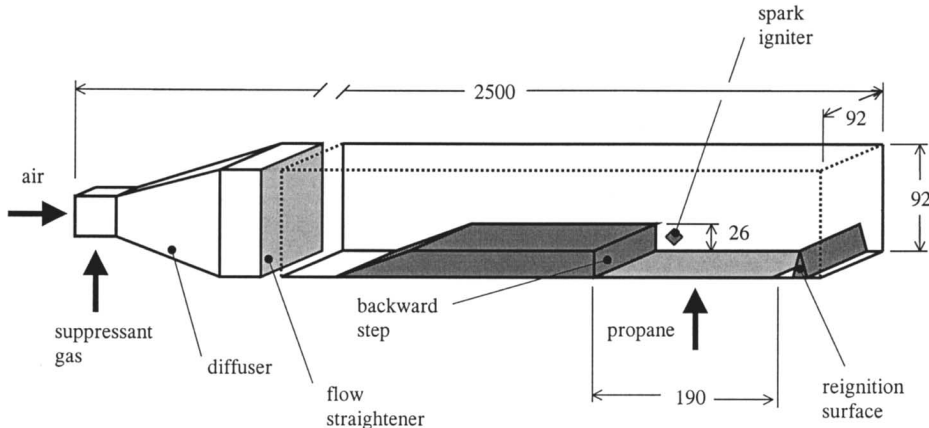


FIG. 1. Schematic of step-stabilized pool fire apparatus. Dimensions are in millimeters.

and flame stability is investigated, and a relationship is constructed between the amount of agent necessary for suppression and the agent injection duration. Direct numerical simulation of flame suppression is used to help explain the observations.

Experimental Facility

The TARPF facility, shown schematically in Fig. 1, consists of a 2.5 m long steel duct with a square cross-section 92 mm on a side. A compressor supplies dried ambient air, which is monitored using a calibrated sonic orifice and a piezoelectric pressure transducer. A diffuser (with a 12° half-angle expansion) provides a smooth transition from the 38 mm air line to the square duct. A honeycomb flow straightener and mixing screens are located downstream of the diffuser. A 26 mm high, 0.3 m long stainless steel ramp is located just before the burner for most experiments. Baffles between 10 mm and 55 mm high and 6 mm thick are used in lieu of the ramp in a number of experiments. The burner is located on the floor of the duct, directly downstream of the ramp or baffle, and consists of a sintered bronze plate, 92 mm wide by 190 mm long. Commercial grade propane, metered by an electronic mass flow controller, is the fuel. The sintered metal plate is cooled by water flowing through copper tubes. The flame is viewed from above and the side through glass windows. The expanded relative uncertainty in the flows of fuel and air are $\pm 5\%$ of the measured value (with a coverage factor of 2) based upon the manufacturers' specifications for the metering orifice and mass flow controller.

The flame is ignited by a spark across two protruding electrodes located on the side wall of the test section 20 mm above the surface of the burner and 20 mm downstream of the step. For some experiments, a heated plate is inserted into the flow from

the bottom surface of the duct directly downstream of the burner to create a cavity and can act as a possible source for reignition.

Nitrogen (0.99995 mole fraction pure), CF_3Br (commercial grade), and C_2HF_5 (commercial grade) are stored as gases in 1 and 2 L stainless steel vessels with the pressure monitored by a high speed (1 ms response) piezoelectric transducer, and the temperature is measured with a chromel-alumel ($76\ \mu\text{m}$ diameter) thermocouple. An electronic timer controls the opening interval (10–1000 ms) of a solenoid valve on the agent vessel. The agent passes through a 6 mm diameter orifice before it is injected through two opposed radial ports into the air passage upstream of the diffuser. Because the air is choked at the metering orifice plate, the introduction of the agent is accomplished without altering the total air flow. The velocity in the tunnel upstream of the burner is measured with a 3 mm diameter pitot tube. The relative concentration of C_2HF_5 in the air stream during a discharge with no flame present is measured with an instrument developed by Pitts et al. [8] based upon narrowband IR absorption at $8.7 \pm 0.1\ \mu\text{m}$.

A 30 Hz video camera records the flame and indicates suppression success. For some experiments, a high speed digital camera (1000 Hz) is used to investigate suppression dynamics. A computer monitors the flow controllers, pressure transducers, and thermocouples and sends a signal to the electronic timer to open and close the solenoid valve while releasing the flow of suppressant. Pressure and temperature in the agent storage vessel and the output from the pitot tube are measured at a frequency of 1000 Hz during the discharge process.

The mass of the gaseous agent released is determined from the change in pressure and temperature in the storage vessels [5]. The expanded uncertainty (with a coverage factor of 2) in the calculated mass

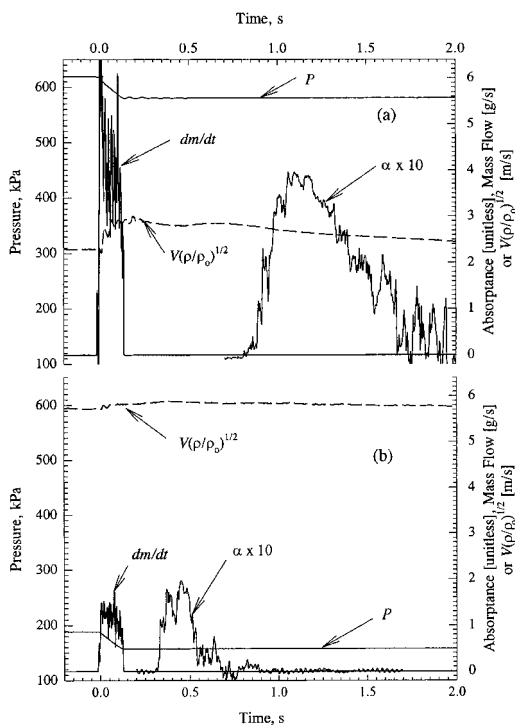


FIG. 2. Bottle pressure, agent mass flow, velocity above step, and IR absorbance 1 m downstream of step during 0.125 s discharge of C_2HF_5 . (a) Low air flow, high agent flow; (b) High air flow, low agent flow.

is $\pm 2\%$, with a minimum absolute uncertainty of ± 0.12 g attributable to the resolution of the pressure transducer. The piezoelectric pressure transducers can follow the transient but the thermocouple is too slow, so the transient temperature in the agent storage vessel is estimated by assuming an isentropic expansion of an ideal gas. From the temperature and pressure measurement, the rate of suppressant addition to the incoming air dm/dt is estimated using an equation of state [6]. The expanded uncertainty of dm/dt is ± 2 g/s, with a coverage factor of 2.

Experimental Results

Facility Characterization

The facility was operated over a range of propane and air flows to examine the flame behavior. Blowout can be achieved either by increasing the air flow or decreasing the propane flow. At low air velocities, a fluctuating laminar flame is anchored on the top downstream edge of the step or baffle and extends well downstream of the porous plate. As the velocity

increases, the flame becomes turbulent and less luminous. Near blowout, the orange color disappears and the visible blue flame shrinks. With the backward-facing step installed, an average air velocity (the volumetric flow divided by the duct area above the step) of over 23 m/s is necessary to blow out the flame if the propane flow is greater than 33 mL/s (corresponding to a transverse velocity of 1.9 mm/s).

Two air flows were chosen to evaluate the ability of the agents to suppress the propane pool fire stabilized by the backward-facing step. The low and high mean air velocities (just above the step) were 2.1 ± 0.2 m/s and 5.4 ± 0.2 m/s, respectively. Corresponding propane flows of 33 ± 2 mL/s and 85 ± 2 mL/s, respectively, were utilized. The low flow condition corresponds to what Takahashi et al. [6] describe as regime I suppression (rim-stabilized flame), and the high flow is transitional between regimes I and II (intermittent turbulent flame).

The velocity distribution of the air 76 mm upstream of the burner was measured with the pitot tube at five locations across the duct for both the high and low flow conditions. With no flame present, the velocity profile was flat within 5% over the central three-fourths of the duct. The boundary layer above the step was less than 7 mm thick.

The facility is designed to impulsively introduce suppressant without altering the air flow. This is achieved by maintaining a choked condition for the air independent of modest changes in downstream pressure generated by the injection process. The pitot tube was used to measure the instantaneous flow 76 mm ahead of and 5 mm above the backward step during the discharge of C_2HF_5 into the air stream for the two different air flow conditions (without fuel flowing). The dashed lines in Fig. 2 show the combined effect of the velocity (V) and density (ρ) change, $V(\rho/\rho_0)^{1/2}$, created by the injection process, where ρ_0 is the initial density of the air stream. Fig. 2a is for the low air flow condition and a high rate of agent discharge; Fig. 2b represents a high air flow with a low rate of agent addition. The pressure P in the agent storage vessel is also plotted in Fig. 2, from which the rate of C_2HF_5 mass added, dm/dt , is calculated. The injection interval is 130 ± 5 ms for both cases, but the amount of agent added in Fig. 2b is one-third the amount added in Fig. 2a because the agent storage volume was 1 L and 3 L, respectively.

The sizable increase in $V(\rho/\rho_0)^{1/2}$ seen in Fig. 2a within 0.10 s of the passage of the acoustic wave results from the slug of air between the injector and the pitot tube being shifted downstream by the addition of agent. High speed video images of the flame during the discharge corroborate this description. The shift is barely discernable in Fig. 2b since the amount of agent added is small relative to the flow of air. The time that the agent itself arrives at

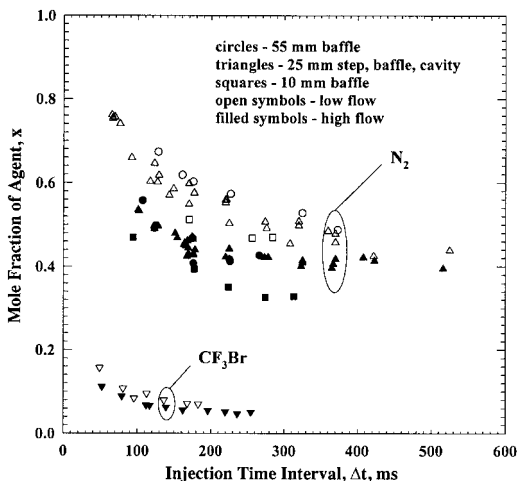


FIG. 3. Mole fraction of agents (N_2 and CF_3Br) added to air at extinction boundary for high and low flow conditions, as a function of the injection time interval and obstacle geometry.

the pitot tube is limited by the bulk convection and the distance the probe is downstream of the point of injection (1.1 m). The times of arrival of the agent at the pitot tube can be estimated to be 0.58 s and 0.24 s for the conditions in Fig. 2a and b, respectively. Interpretation of the pitot signal is complicated by the much higher density of C_2HF_5 as compared to air.

To determine the presence of the agent independent of velocity, the IR absorbance α of C_2HF_5 across the width of the duct was measured and plotted in Fig. 2. The viewing port is 2.3 m downstream of the injector and 1.1 m downstream of the pitot tube. The absorbance pulse in Fig. 2b is similar in shape to the rate of discharge, but about 0.1 s wider. Nonuniform mixing of the agent with air as it flows over the step and into the recirculation zone contributes to the long absorbance tail that is evident for over a second in Fig. 2a, although the agent injection duration was only 0.13 s.

N_2 and CF_3Br Suppression Experiments

The mass of suppressant required to extinguish the step-stabilized fire is a function of both the air flow and the injection interval (as well as suppressant type), whereas the magnitude of the propane flow was found not to have much affect on the required mass of suppressant. As the injection interval increases from about 0.05 s to almost 0.40 s, the minimum mass required increases ~ 3 times. Almost 10 g of N_2 is required when the injection interval is 0.37 ± 0.01 s for the high air flow; 4.8 ± 0.2 g of N_2 is needed for the low flow condition with the same injection interval.

Experiments were conducted with and without the reignition obstruction shown in Fig. 1, and another experiment was conducted with the backward step replaced by a straight baffle protruding 25 mm from the lower surface. The amount of N_2 necessary for suppression was unchanged for these three configurations within the uncertainty of the measurements. Experiments were also conducted with a 10 mm baffle and a 55 mm baffle. The short baffle produces a fire that is easier to extinguish, whereas the 55 mm baffle yields fires that are more difficult to extinguish. For example, with the air velocity at 3.9 m/s (based upon the full duct cross-section) and the nitrogen injection interval around 0.10 s, the 10 mm, 25 mm, and 55 mm obstructions required 3.4 g, 3.9 g, and 4.3 g of N_2 to extinguish the fire, respectively, within an uncertainty of ± 0.2 g.

Figure 3 is a plot of the minimum agent mole fraction that extinguished the fires (X) as a function of the agent injection time interval (Δt) for both N_2 and CF_3Br . The parameter X is defined as the average volume flow of agent during the injection interval divided by the sum of the agent and bulk air flows. The data represent experiments conducted over a range of conditions, including air velocities (defined above the obstacles) that varied from 2 to 9 m/s, propane flows from 33 to 85 mL/s, and baffle heights between 10 and 55 mm, in addition to the 25 mm backward step. The open and closed symbols represent the low and high air flow conditions, respectively. Fig. 3 shows that X decreases with increasing injection time interval for all obstacle types and both agents. The highest mole fraction requirements were consistently for the low air flow conditions. For some experiments, the value of X was nearly 0.8 for short injection intervals. The most challenging geometric configuration was the 55 mm baffle, followed by the 25 mm obstacles and the 10 mm baffles. There was little difference in X between the 25 mm step, 25 mm cavity, and the 25 mm baffle, and those data are presented as one group in Fig. 3. The effectiveness of CF_3Br was compared to that of N_2 using the 25 mm high backward step. The 1 L storage vessel was used to accentuate the pressure change associated with the small quantities of CF_3Br required for suppression. Only 1.6 ± 0.2 g of CF_3Br injected for 100 ms was needed to extinguish the flame under the high air flow conditions (corresponding to $X \cong 0.075$), as compared to 3.9 ± 0.2 g for N_2 as agent ($X \cong 0.5$) under similar conditions.

Analysis

Data Correlation

For premixed flames stabilized by a baffle in the middle of the flowfield, the rate of agent entrainment from the free stream into the recirculation

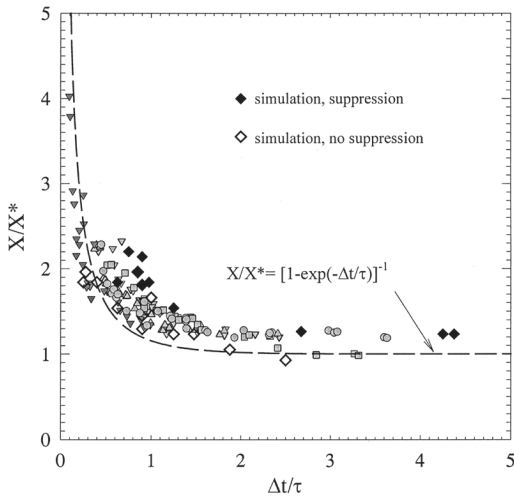


FIG. 4. Suppression mole fraction of agent (N_2 or CF_3Br) normalized by cup burner values (X^*) as a function of injection time interval normalized by characteristic residence time (τ). Gray symbols are experimental results keyed to Fig. 3; black diamonds are direct numerical simulations with N_2 .

zone was suggested by Winterfeld [9] to be proportional to the ratio of the baffle size to the free stream velocity. In the current work, the baffle size is taken as the obstacle height h . The bulk free stream velocity during the discharge event is determined from the volume flow of air plus agent ($V'_{air} + V'_{agent}$) divided by the cross-sectional area above the obstacle $(L - h)L$ where L is the length of the side of the square duct.

A characteristic time τ for mixing of the agent into the flame zone is defined in terms of the bulk flow and the obstacle size as

$$\tau \equiv \gamma h / \{(V'_{air} + V'_{agent}) / [(L - h)L]\} \quad (1)$$

where γ is an empirical non-dimensional parameter that relates the ratio of the distance that a fluid element travels within the recirculation zone to the obstacle height. Takahashi et al. [6] measured the characteristic mixing time in a similar facility and found γ to be around 40. Evaluating equation 1 for the range of flows and baffle heights examined in the current study and using a value of 40 for γ , τ is found to vary between 0.04 and 0.40 s.

In a baffle-stabilized spray flame, Hamins et al. [5] found that for a specified injection duration it is possible to relate the mole fraction of agent in the free stream required to achieve extinction to τ :

$$X/X^* = [1 - \exp(-\Delta t/\tau)]^{-1} \quad (2)$$

where X^* can be found experimentally by flowing agent continuously into the air stream at increasing rates until extinction occurs. If the air flow is low

enough, the value of X^* is expected to be similar to the cup burner extinction requirements [5]. For propane in a cup burner, Trees et al. [1] found X^* to be approximately 0.320 for N_2 and 0.039 for CF_3Br . In counterflow nonpremixed flames, Trees et al. [1] showed how the extinction mole fraction of agent in a counterflow flame varies with the strain rate, taking on the cup burner value for a low strain rate (approximately 50 s^{-1}) and smaller values as the strain rate increases. Although the flow in the recirculating region behind an obstacle is much more complicated than in a counterflow flame, the strain rate in the current study should scale with $1/\tau$. When the flow of air is increased sufficiently, the flame becomes strained to the point that agent is not needed for extinguishment (i.e., $X^* \rightarrow 0$), and the flame blows out.

Takahashi et al. [6] correlated the mole fraction of CF_3Br required for suppression in a manner similar to that used here for X in suppression of their baffle-stabilized methane flames in a rectangular duct. Agent suppression requirements for baffle heights of 32 and 64 mm collapsed to a single curve when plotted against the injection time normalized by the ratio of the step height to the free stream air velocity (7.1 m/s). The velocity increase due to the agent flow was not accounted for, but satisfactory correlation of the results was obtained because the fraction of CF_3Br injected into the air stream was small. That approximation is not used in this study because nitrogen can constitute more than two-thirds of the total flow during the injection interval.

Takahashi et al. [6] found the value of X^* to be slightly less than the cup burner value. Others have found different results. Dyer et al. [10] found that X^* was greater than the cup burner value in nitrogen suppression measurements of baffle-stabilized kerosene pool fires with air speeds below 0.2 m/s. Hamins et al. [5] arrived at a similar conclusion when C_2HF_5 and C_3HF_7 were used to suppress heptane pool fires under low air flow conditions.

The data in Fig. 3 have been normalized by their respective cup burner values and characteristic mixing times, and they are replotted as the gray symbols in Fig. 4. When viewed this way, the geometric, flow, and chemical differences among all the experiments conducted in the current study are consistent with equation 2, which is shown as the dotted line in Fig. 4. Although the simple correlation helps explain the overall trends, a more sophisticated analysis may account for discrepancies due to differences in chemical activity of the two agents, differences in agent mixing patterns (see Fig. 2), and differences between the cup burner value and X^* .

Direct Numerical Simulations

To better understand the dynamics of the suppression event, a computational fluid dynamics

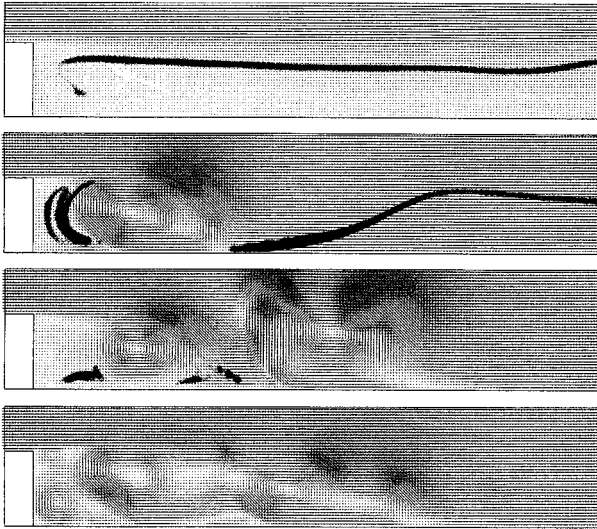


FIG. 5. The disruption of a stabilized flame by the injection of nitrogen upstream of step. The darkness of the flame indicates the heat release rate per unit volume. The frames are separated by 0.01 s.

(CFD) model was used to simulate the baffle and step-stabilized suppression experiments. Some recent studies have numerically modeled flow past an obstacle, but there are no investigations that we are aware of that have used CFD to model suppression by an agent in such a configuration. Liou and Hwang [11] used a two-dimensional CFD model to study the residence time of tracer particles within the recirculation zone of a backward-facing step. Weller et al. [12] applied large eddy simulation techniques (LES) in three dimensions to study a premixed turbulent flame stabilized by a backward-facing step. Here, a low Mach number CFD model is applied to study the dynamics of the suppression event in the TARPF facility. The transport algorithm is based on a previously developed LES fire model [13]. A sub-grid scale turbulence model is not used, but rather the coefficients of viscosity, thermal conductivity, and mass diffusivity from kinetic theory and empirical extrapolation are implemented [14]. Thus, the calculations are direct numerical simulations.

Both two- and three-dimensional simulations were performed. The advantage of the two-dimensional calculations is that greater spatial and temporal resolution can be exploited. The disadvantage is that much of the complex structure of the turbulent flame cannot be simulated. Three-dimensional calculations are costly, but yield a great deal of information about the flame structure. Flame chemistry is approximated as a one-step, finite-rate reaction of propane and oxygen: $C_3H_8 + 5 O_2 \rightarrow (\text{products})$. The reaction rate is given by the global expression based on the premixed flame studies of Westbrook and Dryer [15]:

$$d[C_3H_8]/dt = -A[C_3H_8]^a[O_2]^b \exp(-E/RT) \quad (3)$$

where $A = 8.6 \times 10^{11}$, $E/R = 15.1$, $a = 0.1$, and

$b = 1.65$ (in units of cm, s, mole, and K). The heat of combustion of propane is 46,400 J/g. It is assumed that 20% of the chemical energy is radiated from the flame to the surrounding walls for the diluted near-extinction propane flames. A sensitivity analysis shows that the agent concentration requirements at extinction increase by 15% if the radiation-loss parameter is set equal to zero.

The solution of the conservation equations governing the flow in the tunnel is computed on uniformly spaced grids spanning a plane 552 mm long and 92 mm high (576 by 96 cells) in two dimensions or a volume 552 mm long, 92 mm wide, and 92 mm high (256 by 48 by 60 cells) in three dimensions. The reactant stream consists of oxygen, nitrogen, and propane. Nitrogen is used to represent the products of combustion to reduce computational time. As in the experiments, propane is introduced through a 190 mm long by 92 mm wide slot at a uniform rate of 33 mL/s. Air and agent are introduced into the domain 100 mm upstream of the step with a top hat velocity profile. A constant ambient pressure is assumed at the downstream boundary. Ignition is numerically achieved by momentarily heating up a small wall region just downstream of the step. At all other wall locations, the temperature is maintained at 200 °C. Suppression is distinguished from non-suppression in the computations when the reaction in equation 3 becomes negligible throughout the flowfield.

Figure 5 shows a sequence of images from a two-dimensional simulation that illustrates the dynamics of the suppression event. The first image shows the flame just prior to discharge of the agent (nitrogen) into the air stream. Upon injection, the flame is disturbed by a large vortex generated by the pressure pulse. The gas upstream of the step is essentially

incompressible, and the velocity jump from 2.1 to 5.7 m/s is conveyed to all points in the flow domain in about 0.02 s, consistent with the pitot probe measurements in Fig. 2 and the high speed video. Thus, even before the agent arrives at the step, the flame has been dramatically transformed as a large vortex is generated. This produces a pathway (see the velocity vectors in Fig. 5) that allows the agent to penetrate the region behind the step, where it mixes with the reactants and suppresses the flame through cooling and dilution. Figure 4 shows that the numerical suppression calculations (plotted as diamonds) are consistent with the experimental results.

Summary and Conclusions

A TARPF facility has been built for screening the suppression effectiveness of halon 1301 replacements. Nominal air velocities between 2 and 23 m/s flowing over a backward-facing step and baffles that are 10 to 55 mm high were examined. Because the air is metered with a sonic orifice, the injection of agent does not modulate the air flow. The minimum amount of agent for flame extinguishment is substantially and directly affected by the air velocity and the interval of injection. The height of the obstacle, whether it is a baffle or a backward facing step, and the propane blowing velocity have only a minor influence on the mass of agent needed for suppression.

A simple mixing model is useful to explain the observed trend of decreasing suppressant mass fraction with increasing injection duration, even for agents as different as CF_3Br and N_2 . Several areas, however, require further investigation, including the effect of the air flow on the steady-state extinction mass fraction of agent, the relationship between agent injection and its concentration history at the flame, and the observed differences in the normalized mass fractions of CF_3Br and N_2 for very short injection time intervals. The success of the direct numerical simulation of the suppression of the baffle-stabilized flame by N_2 is encouraging and will be pursued for chemically active agents.

The ability to measure the relative effectiveness of alternative agents is key to the development of new fire suppression systems. The physical and chemical properties and the manner of storage and release of the next generation suppression systems may be quite unlike CF_3Br , but their effectiveness must still be bench-marked against it. The TARPF facility provides the means to screen gaseous agents, powders, and solid propellant gas generator concepts in the laboratory for applications in protected spaces involving baffle-stabilized pool fires.

Acknowledgments

This work has been sponsored by the Department of Defense Next Generation Fire Suppression Technology

Program, co-funded by the DoD Strategic Environmental Research and Development Program. Mrs. Michelle Donnelly and Mr. Michael Selepak have been instrumental in developing the facility and taking the experimental data; their assistance is gratefully acknowledged. The authors acknowledge the assistance of Erik Johnsson with the infrared absorbance measurements.

REFERENCES

1. Trees, D., Seshadri, K., and Hamins, A. M., "Experimental Studies of Diffusion Flame Extinction with Halogenated and Inert Fire Suppressants," in *Halon Replacements: Technology and Science, ACS Symposium Series 611*, (A. Miziolek and W. Tsang, eds.), American Chemical Society, Washington, DC, 1995.
2. Hirst, R., and Sutton, D., *Combust. Flame* 5:319 (1961).
3. Hirst, R., Farenden, P. J., and Simmons, R. F., *Fire Technol.* 12:266 (1976).
4. Hirst, R., Farenden, P. J., and Simmons, R. F., *Fire Tech.* 13:59 (1977).
5. Hamins, A., Cleary, T., Borthwick, P., Gorchov, N., McGrattan, K., Forney, G., Grosshandler, W., Presser, C., and Melton, L., "Suppression of Engine Nacelle Fires," in *Fire Suppression System Performance of Alternative Agents in Aircraft Engine and Dry Bay Laboratory Simulations, NIST SP 890: Vol. II* (R. G. Gann, ed.), National Institute of Standards and Technology, Washington, DC, Nov. 1995, chap. 9.
6. Takahashi, F., Schmoll, W. J., Strader, E. A., and Belovich, V. M., *Combust. Flame* 122:105 (2000).
7. Lefebvre, A. H., *Gas Turbine Combustion*, McGraw Hill, New York, 1983.
8. Pitts, W. M., Mulholland, G. W., Bruel, B. D., Johnsson, E. L., Chung, S., Harris, R. H., and Hess, D., "Real-Time Suppressant Concentration Measurement," in *Fire Suppression Systems Performance of Alternative Agents in Aircraft Engine and Dry Bay Laboratory Simulations, NIST SP 890: Vol. II*, (R. G. Gann, ed.), National Institute of Standards and Technology, Washington, DC, Nov. 1995, chap. 11.
9. Winterfeld, G., *Proc. Combust. Inst.* 10:1265 (1965).
10. Dyer, J. H., Marjoram, M. J., and Simmons, R. F., *Fire Technol.* 13:126 (1977).
11. Liou, T. M., and Hwang, P. W., *Proc. Combust. Inst.* 27:1131 (1998).
12. Weller, H. G., Tabor, G., Gosman, A. D., and Fureby, C., *Proc. Combust. Inst.* 27:899 (1998).
13. McGrattan, K. B., Baum, H. R., and Rehm, R. G., *Fire Safety J.* 30:161 (1998).
14. Reid, R. C., *Properties of Gases and Liquids, 4th Ed.*, McGraw-Hill, New York, 1987.
15. Westbrook, C. K., and Dreyer, F. L., *Combust. Sci. Technol.* 27:31 (1981).

COMMENTS

Kozo Saito, University of Kentucky, USA. This is a very practical and useful work. I have a question related to the scale effect on the results. If you use an apparatus with certain dimensions, can its result be the same for another dimension to evaluate the relative importance of agents and why?

Author's Reply. The main objective of the current study is to relate the performance of an impulsively added fire suppressant in a laboratory-scale facility to the expected

performance in a full-scale aircraft engine nacelle fire. By correlating the data in terms of a characteristic mixing time and the cup-burner mole fraction, the performance of gaseous agents in a number of past studies [Refs. 3,7 in paper] using different geometry, fuel, and air flow can be predicted almost quantitatively. Full-scale engine nacelle testing at Wright-Patterson Air Force base demonstrated that relative rankings of different gaseous agents are also consistently predicted with the RARPF apparatus. Predicting the performance of condensed-phase agents remains a challenge.