

DOCKET NO. SA-510
EXHIBIT NO. 10A

**NATIONAL TRANSPORTATION SAFETY BOARD
WASHINGTON, D.C.**

**GROUP CHAIRMAN'S REPORT OF INVESTIGATION
FLIGHT DATA RECORDER FACTUAL REPORT**

NATIONAL TRANSPORTATION SAFETY BOARD

Office of Research and Engineering
Washington, D.C. 20594

November 28, 1994

FLIGHT DATA RECORDER FACTUAL REPORT

DCA-94-MA-076

A. ACCIDENT

Location : Aliquippa, Pennsylvania

Date : September 8, 1994

Time : 1904 Eastern Daylight Time (EDT)

Airplane : Boeing B737-300, N513AU

B. GROUP

The flight data recorder group convened at the Vehicle Performance Division's Laboratory on September 10, 1994. The following group members participated in the investigation.

Chairman : K. Jeremy Akel, National Transportation Safety Board

Member : Roy Beiber, USAir, Inc.

Member : H. Keith Hagy, Airline Pilots Association

Member : Martin D. Ingham, Boeing Commercial Airplane Group

Member : Jean-Marc Lapene, Bureau Enquetes - Accidents

Member : Frank Rock, Federal Aviation Administration

C. SUMMARY

On September 8, 1994, at 1904 Eastern Daylight Time (EDT), USAir flight 427, a Boeing B737-300, N513AU, crashed while maneuvering to land at Pittsburgh International Airport, Pittsburgh, Pennsylvania. The airplane was being operated on an instrument flight rules (IFR) flight plan under the provisions of Title 14, Code of Federal Regulation (CFR), Part 121, on a regularly scheduled flight from Chicago-O'Hare International Airport, Chicago, Illinois, to Pittsburgh. The airplane was destroyed by impact forces and fire near Aliquippa, Pennsylvania. All 132 persons on board the airplane

were fatally injured.

The solid state flight data recorder (SSFDR), a Loral/Fairchild Data Systems model F1000, part number S603-1000-00, and serial number 442, was removed from the wreckage and sent to the Vehicle Performance Division's laboratory at the National Transportation Safety Board on September 8, 1994 for readout and evaluation.

The SSFDR data indicated that at 103 1:37 DFDR elapsed time, while the airplane was descending through a pressure altitude of 5,984 feet, maintaining a magnetic heading of 139 degrees, and flying at an indicated airspeed of 191.47 knots, roll attitude values consistent with a left wing down motion were observed. Engine data at this time indicated N1 values to be 30.3% and 31.4% for the left and right engine, respectively. The left wing down motion trend lasted for 14 seconds until roll attitude values stabilized at approximately -15 degrees (left wing down). During this time frame, pitch attitude values increased from approximately +4 degrees to +8 degrees nose up. At 103 1:58, magnetic heading indicated 121.11 degrees, roll attitude values changed to approximately -14 degrees (left wing down), and engine N1 data indicated 64.4% and 64.5% for the left and right engine, respectively.

At 1032: 10, roll attitude values began to change towards a wings level state from a left wing down state. At 1032: 12 fluctuations were observed in the longitudinal acceleration and the vertical acceleration data. These fluctuations continued until the end of the flight with the majority of each subsequent peak increasing in magnitude. At 1032: 13, a 4.6 knot increase from 190.70 knots to 195.30 knots was observed. One second later, indicated airspeed was observed at 189.60 knots, roll attitude at -7.78 degrees (left wing down), and the first fluctuations were observed in the control column position data.

At 1032:15, roll angles values began to increase towards left wing down. One second later roll attitudes reached -20.28 degrees (left wing down) and pitch attitude values departed from +7.0 degrees (nose up) and decreased for the next 14 seconds. At 1032: 17, a roll attitude value of -14.57 degrees (left wing down) was observed followed by a departure in roll attitude values in the left wing down direction for the majority of the remainder of flight. Concurrently, engine N1 values were observed to increase for two seconds. Engine N1 parameters then decreased and stabilized between 30% and 32% at 1032:28.

At 1032:30 pitch attitude values were observed at a local minimum value of -86.50 degrees (nose down). Pitch attitude values increased for the next 5 seconds and decreased again until the last recorded value of -79.05 degrees (nose down) was observed at 1032:39. At 1032:37, maximum vertical acceleration values of 3.852 Gs and maximum longitudinal acceleration values of 0.587 Gs were observed in the data. The recorded data terminated at 1032:39. At this time, pressure altitude indicated 1,188 feet and indicated airspeed was observed at 26 1.70 knots.

The airplane's SSFDR is configured to record the data parameters presented in attachment I. The data sources for each parameter are presented in attachment II. A diagram of the SSFDR assembly unit is presented in attachment III.

D. DETAILS OF THE INVESTIGATION

1. Description of Data

This model flight recorder records airplane data in Aeronautical Radio Incorporated (ARINC) 542A format (expanded from 5 to 13 parameters) in a digital format using solid state non-volatile Flash Memory as the recording medium. It records 64 12-bit words of digital data every second. Each grouping of 64 words (one second) is called a subframe. A group of four subframes comprise one frame. Each subframe has a 12-bit synchronization (sync) word in the first word slot which marks the beginning of a subframe. The data stream is "in sync" when successive words appear at 64-word intervals. Each data parameter has a specifically assigned word number within the subframe.

If the data stream is interrupted, the sync words will not appear at the proper interval or in sequence and sync will be lost along with data surrounding the sync words. An interruption of power to the SSFDR will disrupt the serial data stream and cause a loss of sync.

At least 25 hours of the latest operational data are retained on the recording medium. This is accomplished by erasing the oldest data while simultaneously sampling new data.

2. Examination and Read-out

a. Examination

The SSFDR was examined upon receipt was found to be in bad physical condition with indications of external and internal impact damage. The crash survivable memory module unit was separated from its mounts and had translated to the rear of the unit destroying all of the circuit boards in the flight recorder. Insulation and dirt, which are not intrinsic to the SSFDR, were found inside the unit.

The crash protected memory module unit was extracted from the SSFDR. There were indications of damage to a circuit board (STIF card) fixed to the top of the crash protected memory module unit. The data ribbon from the memory module to the STIF card was then disconnected and the crash protected memory module unit was opened. The memory module was examined for damage and discontinuity to its memory cable, circuit boards, or integrated circuits. No damage was noted on any of the

- b. memory module components.
Read-out

The memory module of the damaged SSFDR was connected via the STIF card to an SSFDR maintained at Safety Board's laboratory exclusively for the readout of damaged recorders. This SSFDR was connected to the Read Out Center (ROC) using an RS422 cable. Power was applied to the recorder and the data were downloaded to the ROC. A "quick-access" file was generated representing the last 10.5 hours of total data. The quick access file was used for all data processing.

The flight data were reduced from the recorded decimal values (0-4095) to engineering units (e.g., feet, knots, etc.) by conversion formulas obtained from the USAir and verified by the DFDR group members. The actual conversion is accomplished by an automated process that incorporates the laboratory's ROC. Relative (elapsed) time, recorded by the internal clock of the SSFDR was used as a time base for all data output.

The ROC software is limited to the conversion of only complete frames (4 seconds). Therefore, in order to recover the complete data from the flight, a raw data file containing the entire down loaded data set was sent to Loral/Fairchild on floppy disk. Loral/Fairchild was able to recover approximately 1.9375 seconds (124 words) of additional data at the end of the flight. The raw data values were sent back to the Safety Board and conversion formulas were applied to obtain engineering units. The last 1.9375 seconds of data are represented in all the attached data tables and in one data plot.

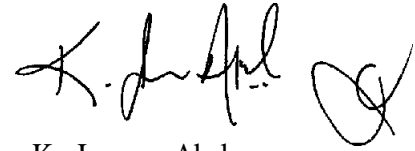
E. DATA TABLES

Attachment IV contains data from the last 5 minutes of flight 427 and the raw decimal data from the last 1.9375 seconds of flight that were recovered by Loral/Fairchild Data Systems. An "XX" for pitch attitude and EGT values at 1032:39 elapsed time represents two word locations where data were unrecoverable. Attachment V contains data representing flight 427's take off from Chicago O'Hare (2.5 minutes).

F. DATA PLOTS

Five data plots of the flight are presented in attachment VI. The elapsed time correlation on the plots are as follows:

1030:00 DFDR elapsed time = 0.0 plot elapsed time.



K. Jeremy Akel
Aerospace Engineer

Attachments

- I. SSFDR parameter list
- II. SSFDR data source table
- III. SSFDR assembly diagram
- IV. ORD-PIT last 5 minutes data table
- V. ORD-PIT takeoff data table
- VI. ORD-PIT plots

ATTACHMENT I
(S SFDR parameter list)

File Version #: 1.500
 Configuration name: CONFIG:737-300/400 SSFDR 542A ELEC VER. 1.2 PRINTER
 Configuration description: Wed Mar 09 15:40:07 1994
 Data source: GS/2 Standard Database And USAir Data
 FDR File: SS542E.DFR

```
=====
1. ALTITUDE                WN=19+58
Type: COMBINATION
Subframes in which parameter occurs: 1 2 3 4
Range of E/U data: -1000 - 135000
Report header: Altitude    WN=19+58
Percent error allowed in the E/U values: ± 0
Absolute error allowed in the E/U values: ± 50
Combination method: STD. 542 ALTITUDE 1. ALTITUDE COARSE      WN=19 (1)
                2. ALTITUDE FINE          WN=58 (2)
=====
```

```
=====
2. ALTITUDE COARSE        WN=19
Type: RECORDED
Subframes in which parameter occurs: 1 2 3 4
Range of E/U data: 0 - 135000
Report header: Alt. Coarse WN=19
Percent error allowed in the E/U values: ± 0
Absolute error allowed in the E/U values: ± 1
FDR input signal: SYNCHRO-Alt. Coarse (S0, S1-4)
Prerequisite conditions: 0
Data words: 1
Word Number      Signed      Mask      Shift Count
-----
      19          NO      OXOFFF      0
Conversion algorithm: STANDARD 542 CONVERSION
=====
```

```
=====
3. ALTITUDE FINE          WN=58
Type: RECORDED
Subframes in which parameter occurs: 1 2 3 4
Range of E/U data: 0 - 5000
Report header: Alt. Fine WN=58
Percent error allowed in the E/U values: ± 0
Absolute error allowed in the E/U values: ± 1
FDR input signal: SYNCHRO-Alt. Fine      (S1, S1-5)
Prerequisite conditions: 0
Data words: 1
Word Number      Signed      Mask      Shift Count
-----
      58          NO      OXOFFF      0
Conversion algorithm: STANDARD 542 CONVERSION
=====
```



```

=====
4. ATC KEYING                WN=11
Type: RECORDED
Subframes in which parameter occurs:  12  3  4
Range of E/U data: 0 - 1
Report header: ATC Keying WN=11
Percent error allowed in the E/U values: ± 0
Absolute error allowed in the E/U values: ± 0
FDR input signal: DISCRETE/OTHER-Binary 2
Prerequisite conditions: 0
Data words: 1
Word Number      Signed      Mask      Shift Count
-----
      11          NO      0x0004          2
Conversion algorithm: STANDARD 542 CONVERSION
=====

```

```

=====
5. CONTROL COLUMN PITCH 1 WN=23
Type: RECORDED
Subframes in which parameter occurs:  12  3  4
Range of E/U data: -42.857 - 42.857
Report header: CCP Fitch WN=23
Percent error allowed in the E/U values: ± 0
Absolute error allowed in the E/U values: ± 1.5
FDR input signal: SYNCHRO-Flaps          (S6,  S2-6)
Prerequisite conditions: 0
Data words: 1
Word Number      Signed      Mask      Shift Count
-----
      23          NO      0XOFFF          0
Conversion algorithm: DISCONTINUOUS LINEAR SYNCHRO
y= -42.857 + 0.02093137973138*x
=====

```

```

=====
6. CONTROL COLUMN PITCH 2 WN=55
Type: RECORDED
Subframes in which parameter occurs:  12  3  4
Range of E/U data: -42.857 - 42.857
Report header: Cont. Col. Pitch 2 WN=55
Percent error allowed in the E/U values: ± 0
Absolute error allowed in the E/U values: ± 1.5
FDR input signal: SYNCHRO-Flaps          (S6,  S2-6)
Prerequisite conditions: 0
Data words: 1
Word Number      Signed      Mask      Shift Count
-----
      55          NO      0XOFFF          0
Conversion algorithm: DISCONTINUOUS LINEAR SYNCHRO
y= -42.857 + 0.02093137973138*x
=====

```

```

=====
7. EGT ENGINE 1           WN=32
Type: RECORDED
Subframes in which parameter occurs: 1 2 3 4
Range of E/U data: 0 - 1150
Report header: EGT Eng.1  WN=32
Percent error allowed in the E/U values: ± 0
Absolute error allowed in the E/U values: ± 0
FDR input signal: DC SYNCHRO-Engine 3      (S10, S2-5)
Prerequisite conditions: 0

```

```

Data words: 1
Word Number      Signed      Mask      Shift Count
-----
      32          NO      OXOFFF          0

```

Conversion algorithm: CURVE FIT

Type: POLYNOMIAL Order: 3 Data Points: 11

| | | |
|-----|-------|------|
| 1. | 242, | 0 |
| 2. | 356, | 50 |
| 3. | 565, | 150 |
| 4. | 835, | 300 |
| 5. | 1068, | 450 |
| 6. | 1270, | 600 |
| 7. | 1391, | 700 |
| 8. | 1448, | 750 |
| 9. | 1603, | 900 |
| 10. | 1741, | 1050 |
| 11. | 1826, | 1150 |

Standard Error: 1.460 Maximum Error: 1.873

$$y = -108.44390633398 + 0.44067448767131x + -9.4262462786354e-006*(x^2) + 7.953482647536e-008*(x^3)$$

```

=====
8. EGT ENGINE 2          WN=64
Type: RECORDED
Subframes in which parameter occurs:  12  3  4
Range of E/U data: 0 - 1150
Report header: EGT Eng.2  WN=64
Percent error allowed in the E/U values: ± 0
Absolute error allowed in the E/U values: ± 0
FDR input signal: DC SYNCHRO-Engine 4      (S11, S2-2)
Prerequisite conditions: 0

```

Data words: 1

| Word Number | Signed | Mask | Shift Count |
|-------------|--------|--------|-------------|
| ----- | ----- | ---- | ----- |
| 64 | NO | OXOFFF | 0 |

Conversion algorithm: CURVE FIT

Type: POLYNOMIAL Order: 3 Data Points: 11

| | | |
|-----|-------|------|
| 1. | 242, | 0 |
| 2. | 356, | 50 |
| 3. | 565, | 150 |
| 4. | 835, | 300 |
| 5. | 1068, | 450 |
| 6. | 1270, | 600 |
| 7. | 1391, | 700 |
| 8. | 1448, | 750 |
| 9. | 1603, | 900 |
| 10. | 1741, | 1050 |
| 11. | 1826, | 1150 |

Standard Error: 1.460 Maximum Error: 1.873

$$y = -108.44390633398 + 0.44067448767131*x + -9.4262462786354e-006*(x^2) + 7.953482647536e-008*(x^3)$$

9. FUEL FLOW ENGINE 1 WN=16

Type: RECORDED

Subframes in which parameter occurs: 1 2 3 4

Range of E/U data: 0 - 12000

Report header: F.Flow Eng.1 WN=16

Percent error allowed in the E/U values: ± 0 Absolute error allowed in the E/U values: ± 0

FDR input signal: DC SYNCHRO-Engine 1 (S8, S2-7)

Prerequisite conditions: 0

Data words: 1

| Word Number | Signed | Mask | Shift Count |
|-------------|--------|--------|-------------|
| 16 | NO | OXOFFF | 0 |

Conversion algorithm: CURVE FIT

Type: POLYNOMIAL Order: 3 Data Points: 17

| | | |
|-----|-------|-------|
| 1. | 191, | 280 |
| 2. | 242, | 500 |
| 3. | 355, | 1000 |
| 4. | 463, | 1500 |
| 5. | 564, | 2000 |
| 6. | 660, | 2500 |
| 7. | 749, | 3000 |
| 8. | 835, | 3500 |
| 9. | 994, | 4500 |
| 10. | 1138, | 5500 |
| 11. | 1271, | 6500 |
| 12. | 1391, | 7500 |
| 13. | 1501, | 8500 |
| 14. | 1604, | 9500 |
| 15. | 1697, | 10500 |
| 16. | 1784, | 11500 |
| 17. | 1826, | 12000 |

Standard Error: 13.858 Maximum Error: 24.446

$$y = -563.07100186032 + 4.3299033112825 * x + -1,4997055434239e-005 * (x^2) + 7.7080038017104e-007 * (x^3)$$

=====

10. FUEL FLOW ENGINE 2

WN=48

Type: RECORDED

Subframes in which parameter occurs: 1 2 3 4

Range of E/U data: 0 - 12000

Report header: F.Flow Eng.2 WN=48

Percent error allowed in the E/U values: ± 0

Absolute error allowed in the E/U values: ± 0

FDR input signal: DC SYNCHRO-Engine 2 (S9, S2-4)

Prerequisite conditions: 0

Data words: 1

| Word Number | Signed | Mask | Shift Count |
|-------------|--------|--------|-------------|
| 48 | NO | OXOFFF | 0 |

Conversion algorithm: CURVE FIT

Type: POLYNOMIAL Order: 3 Data Points: 17

| | | |
|-----|-------|-------|
| 1. | 191, | 280 |
| 2. | 242, | 500 |
| 3. | 355, | 1000 |
| 4. | 463, | 1500 |
| 5. | 564, | 2000 |
| 6. | 660, | 2500 |
| 7. | 749, | 3000 |
| 8. | 835, | 3500 |
| 9. | 994, | 4500 |
| 10. | 1138, | 5500 |
| 11. | 1271, | 6500 |
| 12. | 1391, | 7500 |
| 13. | 1501, | 8500 |
| 14. | 1604, | 9500 |
| 15. | 1697, | 10500 |
| 16. | 1784, | 11500 |
| 17. | 1826, | 12000 |

Standard Error: 13.858 Maximum Error: 24.446

$$y = -563.07100186032 + 4.3299033112825 * x + -1.4997055434239e-005 * (x^2) + 7.7080038017104e-007 * (x^3)$$

=====

11. HEADING

WN=09

Type: RECORDED

Subframes in which parameter occurs: 1 2 3 4

Range of E/U data: 0 - 359.912

Report header: Head WN=09

Percent error allowed in the E/U values: ± 0

Absolute error allowed in the E/U values: ± 0

FDR input signal: SYNCHRO-Heading (S3, S1-6)

Prerequisite conditions: 0

Data words: 1

| Word Number | Signed | Mask | Shift Count |
|-------------|--------|--------|-------------|
| 9 | NO | OXOFFF | 0 |

Conversion algorithm: STANDARD 542 CONVERSION


```
=====
15. LONG ACC 3                WN=37
Type: RECORDED
Subframes in which parameter occurs: 1 2 3 4
Range of E/U data: -1.05 - 1.05
Report header: Long Acc 3 WN=37
Percent error allowed in the E/U values: ± 0
Absolute error allowed in the E/U values: ± 0.015
FDR input signal: ACCELERATION-DC Longitudinal
Prerequisite conditions: 0
Data words: 1
Word Number      Signed      Mask      Shift count
-----
      37          NO      OXOFFF      0
Conversion algorithm: STANDARD 542 CONVERSION
=====
```

```
=====
16. LONG ACC 4                WN=53
Type: RECORDED
Subframes in which parameter occurs: 12 3 4
Range of E/U data: -1.05 - 1.05
Report header: Long Acc 4 WN=53
Percent error allowed in the E/U values: ± 0
Absolute error allowed in the E/U values: ± 0.015
FDR input signal: ACCELERATION-DC Longitudinal
Prerequisite conditions: 0
Data words: 1
Word Number      Signed      Mask      Shift Count
-----
      53          NO      OXOFFF      0
Conversion algorithm: STANDARD 542 CONVERSION
=====
```

```
=====
17. N1 ENGINE 1              WN=51
Type: RECORDED
Subframes in which parameter occurs: 1 2 3 4
Range of E/U data: 0 - 120
Report header: N1 Eng.1 WN=51
Percent error allowed in the E/U values: ± 0
Absolute error allowed in the E/U values: ± 0
FDR input signal: LOW-LEVEL DC VOLTAGE-DC6
Prerequisite conditions: 0
Data words: 1
Word Number      Signed      Mask      Shift Count
-----
      51          NO      OXOFFF      0
Conversion algorithm: CURVE FIT
Type: POLYNOMIAL   Order: 1   Data Points: 2
1.      135,          0
2.      3771,         120
Standard Error: 0.000 Maximum Error: 0.000
y= -4.4554455445545 + 0.033003300330033*x
=====
```

```

-----
18. N1 ENGINE 2                WN=30
Type: RECORDED
Subframes in which parameter occurs: 1 2 3 4
Range of E/U data: 0 - 120
Report header: N1 Eng.2 WN=30
Percent error allowed in the E/U values: ± 0
Absolute error allowed in the E/U values: ± 0
FDR input signal: LOW-LEVEL DC VOLTAGE-DC1
Prerequisite conditions: 0
Data words: 1
Word Number      Signed      Mask      Shift Count
-----
      30          NO      OXOFFF          0
Conversion algorithm: CURVE FIT
Type: POLYNOMIAL   Order: 1   Data Points: 2
1.      135,          0
2.      3771,        120
Standard Error: 0.000 Maximum Error: 0.000
y = -4.4554455445545 + 0.033003300330033*x
-----

```

```

-----
19. N2 ENGINE 1                WN=31
Type: RECORDED
Subframes in which parameter occurs: 1 2 3 4
Range of E/U data: 0 - 120
Report header: N2 Eng.1 WN=31
Percent error allowed in the E/U values: ± 0
Absolute error allowed in the E/U values: ± 0
FDR input signal: LOW-LEVEL DC VOLTAGE-DC5
Prerequisite conditions: 0
Data words: 1
Word Number      Signed      Mask      Shift Count
-----
      31          NO      OXOFFF          0
Conversion algorithm: CURVE FIT
Type: POLYNOMIAL   Order: 1   Data Points: 2
1.      135,          0
2.      3771,        120
Standard Error: 0.000 Maximum Error: 0.000
y= -4.4554455445545 + 0.033003300330033*x
-----

```



```

=====
20. N2 ENGINE 2                WN=06
Type: RECORDED
Subframes in which parameter occurs: 1 2 3 4
Range of E/U data: 0 - 120
Report header: N2 Eng.2  WN=06
Percent error allowed in the E/U values: ± 0
Absolute error allowed in the E/U values: ± 0
FDR input signal: LOW-LEVEL DC VOLTAGE-DC7
Prerequisite conditions: 0
Data words: 1
Word Number      Signed      Mask      Shift Count
-----
      6           NO      OXOFFF      0
Conversion algorithm: CURVE FIT
Type: POLYNOMIAL   Order: 1   Data Points: 2
1.      135,      0
2.      3771,    120
Standard Error: 0.000 Maximum Error: 0.000
y= -4.4554455445545 + 0.033003300330033*x
=====

```

```

=====
21. PITCH ATT 1                WN=13
Type: RECORDED
Subframes in which parameter occurs: 1 2 3 4
Range of E/U data: -180 - 180
Report header: Pitch Att 1 WN=13
Percent error allowed in the E/U values: ± 0
Absolute error allowed in the E/U values: ± 1
FDR input signal: SYNCHRO-Pitch Att. (s4, S1-2)
Prerequisite conditions: 0
Data words: 1
Word Number      Signed      Mask      Shift Count
-----
     13           NO      OXOFFF      0
Conversion algorithm: STANDARD 542 CONVERSION
=====

```

```

=====
22. PITCH ATT 2                WN=29
Type: RECORDED
Subframes in which parameter occurs: 12 3 4
Range of E/U data: -180 - 180
Report header: Pitch Att 2 WN=29
Percent error allowed in the E/U values: ± 0
Absolute error allowed in the E/U values: ± 1
FDR input signal: SYNCHRO-Pitch Att. (s4, S1-2)
Prerequisite conditions: 0
Data words: 1
Word Number      Signed      Mask      Shift Count
-----
     29           NO      OXOFFF      0
Conversion algorithm: STANDARD 542 CONVERSION
=====

```

23. PITCH ATT 3 WN=45
 Type: RECORDED
 Subframes in which parameter occurs: 1 2 3 4
 Range of E/U data: -180 - 180
 Report header: Pitch Att 3 WN=45
 Percent error allowed in the E/U values: \pm 0
 Absolute error allowed in the E/U values: \pm 1
 FDR input signal: SYNCHRO-Pitch Att. (s4, S1-2)
 Prerequisite conditions: 0
 Data words: 1

| Word Number | Signed | Mask | Shift Count |
|-------------|--------|--------|-------------|
| ----- | ----- | ----- | ----- |
| 45 | NO | OXOFFF | 0 |

Conversion algorithm: STANDARD 542 CONVERSION

=====

24. PITCH ATT 4 WN=61
 Type: RECORDED
 Subframes in which parameter occurs: 1 2 3 4
 Range of E/U data: -180 - 180
 Report header: Pitch Att 4 WN=61
 Percent error allowed in the E/U values: \pm 0
 Absolute error allowed in the E/U values: \pm 1
 FDR input signal: SYNCHRO-Pitch Att. (s4, S1-2)
 Prerequisite conditions: 0
 Data words: 1

| Word Number | Signed | Mask | Shift Count |
|-------------|--------|--------|-------------|
| ----- | ----- | ----- | ----- |
| 61 | NO | OXOFFF | 0 |

Conversion algorithm: STANDARD 542 CONVERSION

=====

25. ROLL ATT 1 WN=14
 Type: RECORDED
 Subframes in which parameter occurs: 1 2 3 4
 Range of E/U data: -180 - 179.999
 Report header: Roll Att 1 WN=14
 Percent error allowed in the E/U values: \pm 0
 Absolute error allowed in the E/U values: \pm 1
 FDR input signal: SYNCHRO-Roll Att. (s5, S1-3)
 Prerequisite conditions: 0
 Data words: 1

| Word Number | Signed | Mask | Shift Count |
|-------------|--------|--------|-------------|
| ----- | ----- | ----- | ----- |
| 14 | NO | OXOFFF | 0 |

Conversion algorithm: STANDARD 542 CONVERSION

```

=====
26. ROLL ATT 2                WN=46
Type: RECORDED
Subframes in which parameter occurs:  12  3  4
Range of E/U data: -180 - 180
Report header: Roll att 2 WN=46
Percent error allowed in the E/U values: ± 0
Absolute error allowed in the E/U values: ± 1
FDR input signal: SYNCHRO-Roll Att.      (S5, S1-3)
Prerequisite conditions: 0
Data words: 1
Word Number      Signed      Mask      Shift Count
-----
      46          NO      OXOFFF          0
Conversion algorithm: STANDARD 542 CONVERSION
=====

```

```

=====
27. VERT ACC 1                WN=04
Type: RECORDED
Subframes in which parameter occurs:  1  2  3  4
Range of E/U data: -3.375 - 6.46875
Report header: Vert Acc 1 WN=04
Percent error allowed in the E/U values: ± 0
Absolute error allowed in the E/U values: ± 0.045
FDR input signal: ACCELERATION-DC Vertical
Prerequisite conditions: 0
Data words: 1
Word Number      Signed      Mask      Shift Count
-----
      4          NO      OXOFFF          0
Conversion algorithm: POLYNOMIAL
y= -3.25451484 + 0.002392069*x
=====

```

```

=====
28. VERT ACC 2                WN=12
Type: RECORDED
Subframes in which parameter occurs:  12  3  4
Range of E/U data: -3.375 - 6.46875
Report header: Vert Acc 2 WN=12
Percent error allowed in the E/U values: ± 0
Absolute error allowed in the E/U values: ± 0.045
FDR input signal: ACCELERATION-DC Vertical
Prerequisite conditions: 0
Data words: 1
Word Number      Signed      Mask      Shift Count
-----
      12          NO      OXOFFF          0
Conversion algorithm: POLYNOMIAL
y= -3.25451484 + 0.002392069*x
=====

```

```

=====
29. VERT ACC 3                WN=20
Type: RECORDED
Subframes in which parameter occurs: 12 3 4
Range of E/U data: -3.375 - 6.46875
Report header: Vert Acc 3 WN=20
Percent error allowed in the E/U values: ± 0
Absolute error allowed in the E/U values: ± 0.045
FDR input signal: ACCELERATION-DC Vertical
Prerequisite conditions: 0
Data words: 1
Word Number      Signed      Mask      Shift Count
-----
      20          NO      OXOFFF          0
Conversion algorithm: POLYNOMIAL
y = -3.25451484 + 0.002392069*x
=====

```

```

=====
30. VERT ACC 4                WN=28
Type: RECORDED
Subframes in which parameter occurs: 1 2 3 4
Range of E/U data: -3.375 - 6.46875
Report header: Vert Acc 4 WN=28
Percent error allowed in the E/U values: ± 0
Absolute error allowed in the E/U values: ± 0.045
FDR input signal: ACCELERATION-DC Vertical
Prerequisite conditions: 0
Data words: 1
Word Number      Signed      Mask      Shift Count
-----
      28          NO      OXOFFF          0
Conversion algorithm: POLYNOMIAL
y = -3.25451484 + 0.002392069*x
=====

```

```

=====
31. VERT ACC 5                WN=36
Type: RECORDED
Subframes in which parameter occurs: 1 2 3 4
Range of E/U data: -3.375 - 6.46875
Report header: Vert Acc 5 WN=36
Percent error allowed in the E/U values: ± 0
Absolute error allowed in the E/U values: ± 0.045
FDR input signal: ACCELERATION-DC Vertical
Prerequisite conditions: 0
Data words: 1
Word Number      Signed      Mask      Shift Count
-----
      36          NO      OXOFFF          0
Conversion algorithm: POLYNOMIAL
y = -3.25451484 + 0.002392069*x
=====

```

```

=====
32. VERT ACC 6                WN=44
Type : RECORDED
Subframes in which parameter occurs: 12 3 4
Range of E/U data: -3.375 - 6.46875
Report header: Vert Acc 6 WN=44
Percent error allowed in the E/U values: ± 0
Absolute error allowed in the E/U values: ± 0.045
FDR input signal: ACCELERATION-DC Vertical
Prerequisite conditions: 0
Data words: 1
Word Number      Signed      Mask      Shift Count
-----
      44          NO      OXOFFF      0
Conversion algorithm: POLYNOMIAL
y = -3.25451484 + 0.002392069*x
=====

```

```

=====
33. VERT ACC 7                WN=52
Type: RECORDED
Subframes in which parameter occurs: 12 3 4
Range of E/U data: -3.375 - 6.46875
Report header: Vert Acc 7 WN=52
Percent error allowed in the E/U values: ± 0
Absolute error allowed in the E/U values: ± 0.045
FDR input signal: ACCELERATION-DC Vertical
Prerequisite conditions: 0
Data words: 1
Word Number      Signed      Mask      Shift Count
-----
      52          NO      OXOFFF      0
Conversion algorithm: POLYNOMIAL
y = -3.25451484 + 0.002392069*x
=====

```

```

=====
34. VERT ACC 8                WN=60
Type: RECORDED
Subframes in which parameter occurs: 12 3 4
Range of E/U data: -3.375 - 6.46875
Report header: Vert Acc 8 WN=60
Percent error allowed in the E/U values: ± 0
Absolute error allowed in the E/U values: ± 0.045
FDR input signal: ACCELERATION-DC Vertical
Prerequisite conditions: 0
Data words: 1
Word Number      Signed      Mask      Shift Count
-----
      60          NO      OXOFFF      0
Conversion algorithm: POLYNOMIAL
=====

```

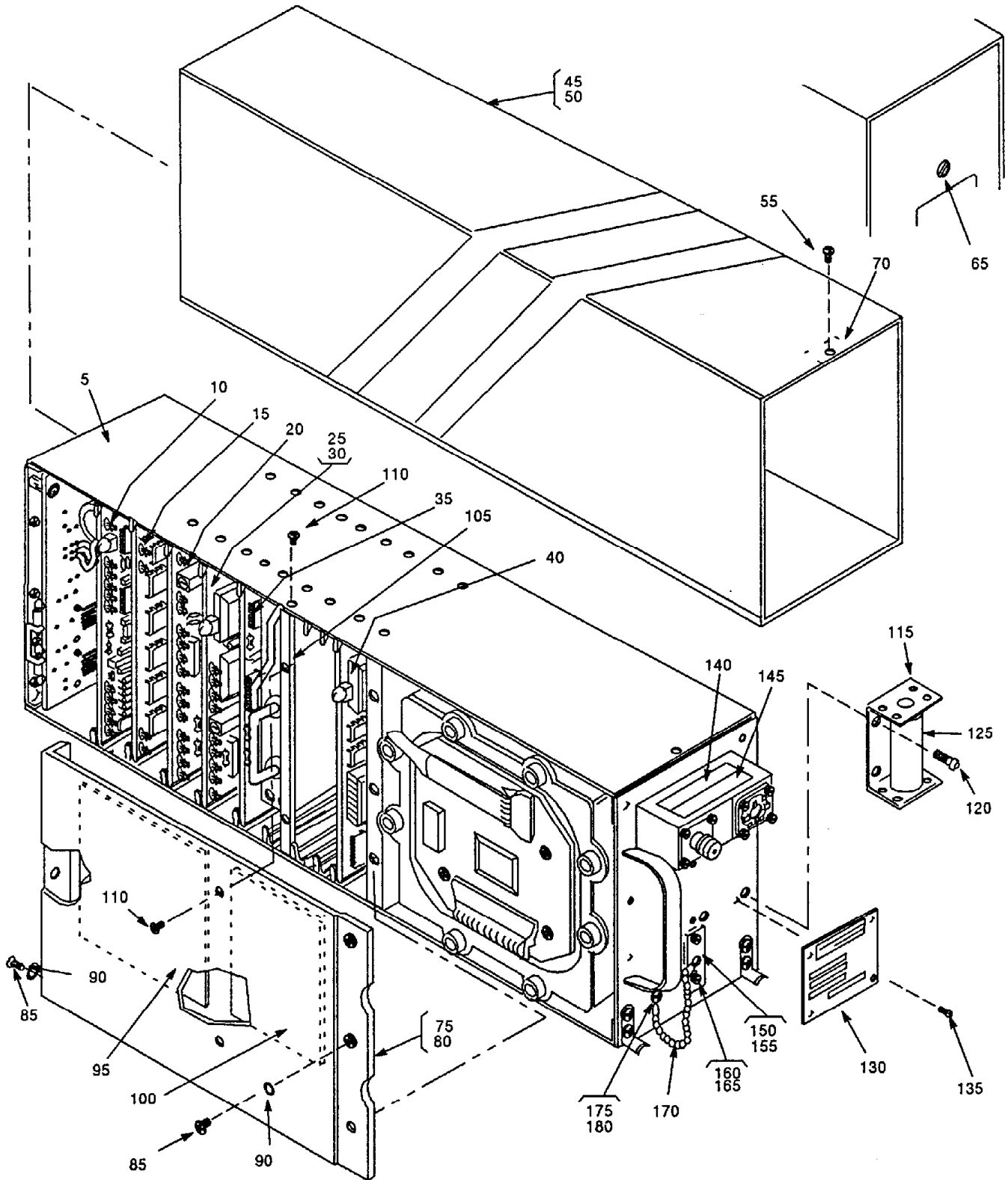
000021

ATTACHMENT II
(SSFDR data source table)

**USAir 427, B737-300
DATA SOURCE TABLE**

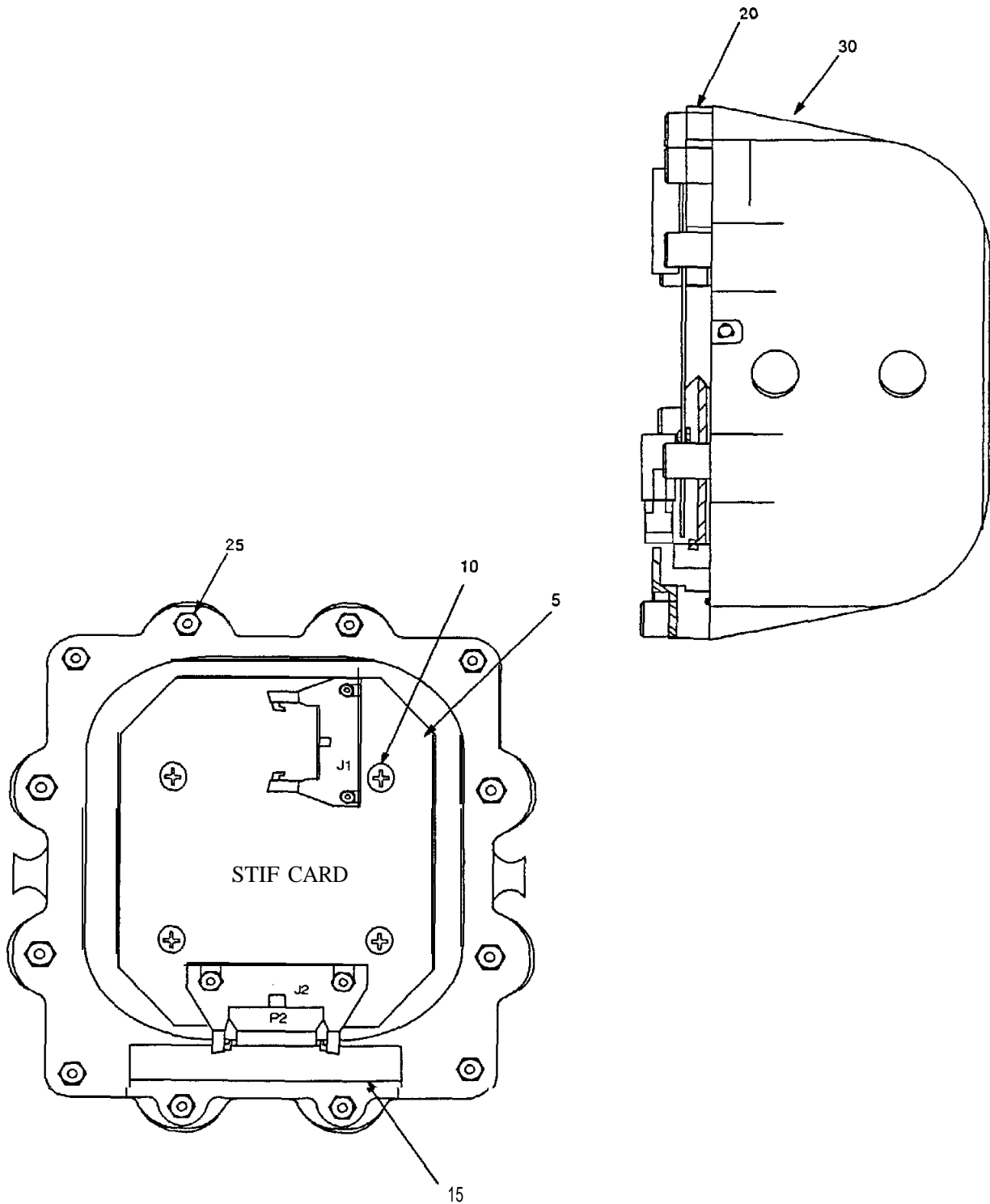
| DATA PARAMETER | SOURCE | UNITS | SIGN |
|---|--|----------------------------|-----------------------------|
| RELATIVE TIME | INTERNAL CLOCK | SECONDS | N/A |
| PRESSURE ALTITUDE (Altitude) | CAPTAINS PRIMARY STATIC SYSTEM | FEET | N/A |
| INDICATED AIRSPEED (IAS) | CAPTAINS PRIMARY PITOT STATIC SYSTEM | NAUTICAL MILES PER HOUR | N/A |
| MAGNETIC HEADING (HEAD) | #2 COMPASS SYSTEM | DEGREES | 0.0 = MAG. NORTH |
| PITCH ATTITUDE (Pitch Att) | #1 IRU SYSTEM | DEGREES | + = Nose up |
| ROLL ATTITUDE (Roll Att) | #1 IRU SYSTEM | DEGREES | + = Left wing up |
| VERTICAL ACCELERATION (Vert Acc) | 2 - Axis Accelerometer (Right, main wheel well) | Gs (+1.0 = nominal) | + = Upward acceleration |
| LONGITUDINAL ACCELERATION (Long) | 2 - Axis Accelerometer (Right, main wheel well) | Gs (0.0 = nominal) | + = Forward acceleration |
| CONTROL COLUMN POSITION (Cont. Col. Pitch) | Synchro (Base of Captain's control column) | DEGREES | - = Back deflection |
| N1 (N1) | SPEED SENSOR | PERCENT | N/A |
| N2 (N2) | CONTROL ALTERNATOR | PERCENT | N/A |
| EXHAUST GAS TEMPERATURE (EGT) | THERMOCOUPLE | DEGREES CELSIUS | N/A |
| FUEL FLOW (F. Flow) | FUEL FLOW TRANSMITTER | POUNDS PER HOUR | N/A |
| MICROPHONE KEYING (ATC Keying) | AUDIO ACCESSORY UNIT (All keys) | DISCRETE | 0 = Keyed |

ATTACHMENT III
(SSFDR Assembly Diagram)



Fairchild Model F1000 Solid State Flight Data Recorder, SSFDR, Final Assembly,
S903-2000-00, S800-2000-00, S703-1000-00, S603-1000-00, S800-3000-00

Figure 1



Flash Crash Survivable Unit,
253E0348-00, -01, -02
Figure 12

ATTACHMENT IV
(ORD-PIT Final 5 Minutes)

| S | RELATIVE TIME | Altitude | IAS | Head | Pitch Att 1 | Pitch Att 2 | Pitch Att 3 | Pitch Att 4 | Roll Att 1 | Roll Att 2 |
|---|----------------|----------|--------|--------|-------------|-------------|-------------|-------------|------------|------------|
| F | HH:MM:WN=19+58 | WN=10 | WN=09 | WN=13 | WN=29 | WN=45 | WN=61 | WN=14 | WN=46 | |
| 3 | 10:27:24 | 10840 | 217.39 | 160.18 | 5.85 | 5.85 | 5.85 | 5.91 | 0.79 | 0.57 |
| 4 | 10:27:25 | 10835 | 216.68 | 160.37 | 5.91 | 5.91 | 5.91 | 5.98 | 0.28 | -0.17 |
| 1 | 10:27:26 | 10830 | 215.97 | 160.55 | 5.91 | 5.98 | 5.98 | 5.91 | -0.39 | -0.51 |
| 2 | 10:27:27 | 10825 | 215.61 | 160.55 | 5.85 | 5.71 | 5.71 | 5.58 | -0.57 | -0.57 |
| 3 | 10:27:28 | 10818 | 215.12 | 160.64 | 5.51 | 5.44 | 5.38 | 5.31 | -0.57 | -0.57 |
| 4 | 10:27:29 | 10811 | 214.39 | 160.82 | 5.24 | 5.18 | 5.11 | 5.05 | -0.62 | -0.62 |
| 1 | 10:27:30 | 10802 | 213.77 | 160.64 | 4.98 | 4.91 | 4.85 | 4.78 | -0.68 | -0.62 |
| 2 | 10:27:31 | 10791 | 213.40 | 160.73 | 4.72 | 4.65 | 4.65 | 4.59 | -0.57 | -0.62 |
| 3 | 10:27:32 | 10778 | 213.15 | 160.55 | 4.59 | 4.52 | 4.52 | 4.52 | -0.74 | -0.85 |
| 4 | 10:27:33 | 10764 | 213.03 | 160.37 | 4.46 | 4.46 | 4.46 | 4.46 | -0.91 | -0.97 |
| 1 | 10:27:34 | 10751 | 212.90 | 160.46 | 4.46 | 4.46 | 4.46 | 4.46 | -1.03 | -1.03 |
| 2 | 10:27:35 | 10736 | 212.90 | 160.27 | 4.52 | 4.52 | 4.52 | 4.52 | -1.03 | -0.97 |
| 3 | 10:27:36 | 10719 | 212.52 | 160.37 | 4.59 | 4.59 | 4.65 | 4.65 | -0.91 | -0.85 |
| 4 | 10:27:37 | 10703 | 212.14 | 160.37 | 4.65 | 4.65 | 4.65 | 4.65 | -0.79 | -0.74 |
| 1 | 10:27:38 | 10688 | 211.64 | 160.18 | 4.65 | 4.65 | 4.65 | 4.65 | -0.68 | -0.57 |
| 2 | 10:27:39 | 10672 | 211.25 | 160.18 | 4.59 | 4.59 | 4.59 | 4.59 | -0.57 | -0.57 |
| 3 | 10:27:40 | 10657 | 210.74 | 160.09 | 4.59 | 4.52 | 4.52 | 4.46 | -0.51 | -0.45 |
| 4 | 10:27:41 | 10641 | 210.35 | 160.27 | 4.46 | 4.39 | 4.39 | 4.33 | -0.45 | -0.39 |
| 1 | 10:27:42 | 10624 | 209.83 | 160.09 | 4.27 | 4.20 | 4.14 | 4.07 | -0.34 | -0.34 |
| 2 | 10:27:43 | 10606 | 209.57 | 160.18 | 4.01 | 4.01 | 3.95 | 3.88 | -0.22 | -0.17 |
| 3 | 10:27:44 | 10587 | 209.18 | 160.00 | 3.82 | 3.75 | 3.69 | 3.63 | 0.17 | 0.28 |
| 4 | 10:27:45 | 10567 | 208.91 | 160.00 | 3.63 | 3.57 | 3.50 | 3.44 | 0.28 | 0.34 |
| 1 | 10:27:46 | 10545 | 208.52 | 160.00 | 3.38 | 3.31 | 3.25 | 3.19 | 0.34 | 0.34 |
| 2 | 10:27:47 | 10522 | 208.65 | 159.81 | 3.19 | 3.13 | 3.13 | 3.07 | 0.22 | -0.06 |
| 3 | 10:27:48 | 10498 | 208.78 | 159.91 | 3.00 | 3.00 | 3.00 | 2.94 | -0.22 | -0.28 |
| 4 | 10:27:49 | 10471 | 208.91 | 159.81 | 2.88 | 2.88 | 2.82 | 2.88 | -0.28 | -0.28 |
| 1 | 10:27:50 | 10444 | 209.18 | 159.91 | 2.82 | 2.76 | 2.82 | 2.82 | -0.17 | -0.11 |
| 2 | 10:27:51 | 10415 | 209.44 | 160.09 | 2.82 | 2.82 | 2.82 | 2.82 | -0.11 | -0.11 |
| 3 | 10:27:52 | 10386 | 209.83 | 160.09 | 2.82 | 2.82 | 2.82 | 2.82 | -0.06 | -0.06 |
| 4 | 10:27:53 | 10358 | 210.48 | 160.09 | 2.88 | 2.88 | 2.94 | 2.88 | -0.06 | -0.11 |
| 1 | 10:27:54 | 10329 | 210.87 | 160.27 | 3.00 | 3.00 | 3.07 | 3.07 | -0.11 | -0.11 |
| 2 | 10:27:55 | 10301 | 211.38 | 160.37 | 3.07 | 3.13 | 3.13 | 3.19 | -0.11 | -0.06 |
| 3 | 10:27:56 | 10274 | 211.76 | 160.27 | 3.19 | 3.25 | 3.31 | 3.31 | 0.11 | 0.17 |
| 4 | 10:27:57 | 10249 | 212.14 | 160.46 | 3.31 | 3.31 | 3.38 | 3.38 | 0.17 | 0.22 |
| 1 | 10:27:58 | 10223 | 212.40 | 160.37 | 3.38 | 3.38 | 3.38 | 3.44 | 0.22 | 0.17 |
| 2 | 10:27:59 | 10199 | 212.65 | 160.46 | 3.44 | 3.44 | 3.44 | 3.44 | -0.17 | -0.28 |
| 3 | 10:28:00 | 10174 | 212.77 | 160.46 | 3.44 | 3.44 | 3.44 | 3.44 | -0.51 | -0.79 |
| 4 | 10:28:01 | 10150 | 213.15 | 160.37 | 3.44 | 3.50 | 3.50 | 3.50 | -0.91 | -0.79 |
| 1 | 10:28:02 | 10128 | 213.28 | 160.37 | 3.50 | 3.50 | 3.50 | 3.50 | -0.68 | -0.62 |
| 2 | 10:28:03 | 10104 | 212.65 | 160.00 | 3.50 | 3.50 | 3.50 | 3.44 | -0.62 | -0.62 |
| 3 | 10:28:04 | 10081 | 212.40 | 159.81 | 3.44 | 3.44 | 3.44 | 3.38 | -0.74 | -0.74 |
| 4 | 10:28:05 | 10058 | 212.27 | 159.72 | 3.38 | 3.38 | 3.31 | 3.31 | -0.74 | -0.62 |
| 1 | 10:28:06 | 10034 | 212.02 | 159.54 | 3.25 | 3.25 | 3.25 | 3.19 | -0.45 | -0.39 |
| 2 | 10:28:07 | 10009 | 212.02 | 159.54 | 3.19 | 3.19 | 3.19 | 3.19 | -0.22 | 0.11 |
| 3 | 10:28:08 | 9983 | 212.02 | 159.72 | 3.19 | 3.19 | 3.13 | 3.13 | 0.28 | 0.34 |
| 4 | 10:28:09 | 9957 | 211.89 | 159.54 | 3.13 | 3.13 | 3.13 | 3.13 | 0.39 | 0.34 |
| 1 | 10:28:10 | 9931 | 211.76 | 159.72 | 3.13 | 3.13 | 3.13 | 3.13 | 0.34 | 0.34 |
| 2 | 10:28:11 | 9905 | 211.76 | 159.81 | 3.13 | 3.13 | 3.13 | 3.13 | 0.34 | 0.39 |
| 3 | 10:28:12 | 9878 | 211.89 | 159.91 | 3.13 | 3.13 | 3.19 | 3.13 | 0.39 | 0.34 |
| 4 | 10:28:13 | 9851 | 211.89 | 160.00 | 3.19 | 3.19 | 3.19 | 3.19 | 0.34 | 0.22 |
| 1 | 10:28:14 | 9823 | 212.14 | 160.18 | 3.19 | 3.25 | 3.25 | 3.25 | 0.17 | 0.11 |
| 2 | 10:28:15 | 9797 | 212.14 | 160.09 | 3.31 | 3.31 | 3.38 | 3.38 | -0.11 | -0.17 |
| 3 | 10:28:16 | 9771 | 212.27 | 160.09 | 3.44 | 3.38 | 3.44 | 3.44 | -0.22 | -0.28 |
| 4 | 10:28:17 | 9744 | 212.40 | 160.09 | 3.44 | 3.50 | 3.50 | 3.50 | -0.34 | -0.39 |

| S | RELATIVE TIME | Altitude | IAS | Head | Pitch Att 1 | Pitch Att 2 | Pitch Att 3 | Pitch Att 4 | Roll Att 1 | Roll Att 2 |
|---|----------------|----------|--------|--------|-------------|-------------|-------------|-------------|------------|------------|
| F | HH:MM:WN=19+58 | WN=10 | WN=09 | WN=13 | WN=29 | WN=45 | WN=61 | WN=14 | WN=46 | |
| 1 | 10:28:18 | 9718 | 212.52 | 160.09 | 3.50 | 3.57 | 3.57 | 3.57 | -0.45 | -0.51 |
| 2 | 10:28:19 | 9694 | 212.52 | 160.00 | 3.63 | 3.63 | 3.63 | 3.63 | -0.57 | -0.57 |
| 3 | 10:28:20 | 9668 | 212.40 | 160.09 | 3.63 | 3.63 | 3.63 | 3.63 | -0.57 | -0.51 |
| 4 | 10:28:21 | 9644 | 212.40 | 160.09 | 3.63 | 3.69 | 3.63 | 3.69 | -0.45 | -0.45 |
| 1 | 10:28:22 | 9618 | 212.14 | 160.00 | 3.63 | 3.63 | 3.63 | 3.63 | -0.39 | -0.45 |
| 2 | 10:28:23 | 9596 | 212.27 | 160.00 | 3.63 | 3.63 | 3.63 | 3.63 | -0.51 | -0.51 |
| 3 | 10:28:24 | 9572 | 212.40 | 160.09 | 3.63 | 3.57 | 3.63 | 3.57 | -0.45 | -0.39 |
| 4 | 10:28:25 | 9547 | 212.65 | 160.00 | 3.63 | 3.57 | 3.63 | 3.63 | -0.34 | -0.34 |
| 1 | 10:28:26 | 9525 | 212.90 | 160.00 | 3.63 | 3.63 | 3.63 | 3.63 | -0.34 | -0.39 |
| 2 | 10:28:27 | 9502 | 213.65 | 159.91 | 3.63 | 3.63 | 3.69 | 3.69 | -0.51 | -0.51 |
| 3 | 10:28:28 | 9481 | 213.77 | 159.91 | 3.75 | 3.75 | 3.75 | 3.75 | -0.51 | -0.57 |
| 4 | 10:28:29 | 9458 | 214.39 | 160.00 | 3.82 | 3.82 | 3.88 | 3.88 | -0.51 | -0.45 |
| 1 | 10:28:30 | 9438 | 214.88 | 160.09 | 3.95 | 3.95 | 4.01 | 4.07 | -0.45 | -0.39 |
| 2 | 10:28:31 | 9418 | 215.00 | 160.09 | 4.07 | 4.14 | 4.14 | 4.20 | -0.34 | -0.28 |
| 3 | 10:28:32 | 9399 | 215.49 | 160.09 | 4.20 | 4.20 | 4.27 | 4.27 | -0.17 | -0.22 |
| 4 | 10:28:33 | 9380 | 215.49 | 160.09 | 4.27 | 4.33 | 4.33 | 4.33 | -0.28 | -0.39 |
| 1 | 10:28:34 | 9363 | 215.24 | 160.00 | 4.33 | 4.33 | 4.39 | 4.33 | -0.51 | -0.57 |
| 2 | 10:28:35 | 9346 | 215.24 | 160.09 | 4.39 | 4.33 | 4.33 | 4.33 | -0.57 | -0.57 |
| 3 | 10:28:36 | 9329 | 215.12 | 160.00 | 4.27 | 4.33 | 4.33 | 4.27 | -0.51 | -0.51 |
| 4 | 10:28:37 | 9312 | 215.00 | 160.00 | 4.27 | 4.27 | 4.27 | 4.27 | -0.51 | -0.51 |
| 1 | 10:28:38 | 9295 | 214.88 | 160.09 | 4.27 | 4.27 | 4.27 | 4.20 | -0.51 | -0.51 |
| 2 | 10:28:39 | 9277 | 214.76 | 160.00 | 4.20 | 4.27 | 4.27 | 4.20 | -0.51 | -0.51 |
| 3 | 10:28:40 | 9258 | 214.63 | 160.09 | 4.20 | 4.14 | 4.14 | 4.14 | -0.45 | -0.45 |
| 4 | 10:28:41 | 9240 | 214.39 | 160.00 | 4.14 | 4.14 | 4.14 | 4.14 | -0.45 | -0.45 |
| 1 | 10:28:42 | 9222 | 214.02 | 160.00 | 4.20 | 4.14 | 4.20 | 4.14 | -0.45 | -0.45 |
| 2 | 10:28:43 | 9203 | 213.77 | 160.09 | 4.20 | 4.20 | 4.20 | 4.20 | -0.45 | -0.39 |
| 3 | 10:28:44 | 9184 | 213.52 | 160.00 | 4.20 | 4.20 | 4.20 | 4.20 | -0.39 | -0.45 |
| 4 | 10:28:45 | 9165 | 213.40 | 160.00 | 4.20 | 4.20 | 4.20 | 4.20 | -0.45 | -0.45 |
| 1 | 10:28:46 | 9146 | 213.28 | 160.09 | 4.20 | 4.20 | 4.27 | 4.27 | -0.39 | -0.34 |
| 2 | 10:28:47 | 9126 | 213.03 | 160.09 | 4.27 | 4.27 | 4.20 | 4.27 | -0.39 | -0.39 |
| 3 | 10:28:48 | 9108 | 212.65 | 160.00 | 4.27 | 4.27 | 4.27 | 4.27 | -0.45 | -0.51 |
| 4 | 10:28:49 | 9089 | 212.40 | 160.09 | 4.27 | 4.27 | 4.27 | 4.27 | -0.57 | -0.57 |
| 1 | 10:28:50 | 9070 | 212.40 | 160.09 | 4.27 | 4.27 | 4.27 | 4.27 | -0.57 | -0.51 |
| 2 | 10:28:51 | 9051 | 212.27 | 160.00 | 4.27 | 4.27 | 4.27 | 4.27 | -0.51 | -0.51 |
| 3 | 10:28:52 | 9033 | 212.27 | 160.09 | 4.27 | 4.27 | 4.27 | 4.27 | -0.51 | -0.51 |
| 4 | 10:28:53 | 9014 | 212.27 | 159.91 | 4.27 | 4.33 | 4.33 | 4.33 | -0.57 | -0.57 |
| 1 | 10:28:54 | 8995 | 212.27 | 160.00 | 4.33 | 4.33 | 4.27 | 4.33 | -0.51 | -0.45 |
| 2 | 10:28:55 | 8978 | 212.27 | 159.81 | 4.33 | 4.33 | 4.33 | 4.39 | -0.39 | -0.45 |
| 3 | 10:28:56 | 8960 | 212.27 | 159.81 | 4.39 | 4.33 | 4.39 | 4.39 | -0.45 | -0.39 |
| 4 | 10:28:57 | 8943 | 212.40 | 159.81 | 4.39 | 4.39 | 4.39 | 4.39 | -0.39 | -0.39 |
| 1 | 10:28:58 | 8927 | 212.27 | 159.91 | 4.39 | 4.39 | 4.46 | 4.39 | -0.39 | -0.34 |
| 2 | 10:28:59 | 8911 | 212.02 | 159.91 | 4.39 | 4.46 | 4.39 | 4.39 | -0.28 | -0.28 |
| 3 | 10:29:00 | 8894 | 211.64 | 159.81 | 4.39 | 4.39 | 4.39 | 4.39 | -0.22 | -0.28 |
| 4 | 10:29:01 | 8876 | 211.51 | 159.91 | 4.39 | 4.39 | 4.33 | 4.33 | -0.22 | -0.17 |
| 1 | 10:29:02 | 8859 | 211.51 | 160.09 | 4.33 | 4.33 | 4.33 | 4.27 | -0.17 | -0.11 |
| 2 | 10:29:03 | 8842 | 211.64 | 159.91 | 4.27 | 4.27 | 4.27 | 4.27 | 0.11 | 0.17 |
| 3 | 10:29:04 | 8824 | 211.38 | 160.00 | 4.27 | 4.27 | 4.27 | 4.27 | 0.17 | 0.17 |
| 4 | 10:29:05 | 8806 | 211.12 | 160.00 | 4.27 | 4.27 | 4.27 | 4.27 | 0.11 | -0.11 |
| 1 | 10:29:06 | 8787 | 211.12 | 159.91 | 4.27 | 4.33 | 4.33 | 4.27 | -0.17 | -0.22 |
| 2 | 10:29:07 | 8769 | 211.12 | 159.91 | 4.33 | 4.33 | 4.33 | 4.33 | -0.22 | -0.28 |
| 3 | 10:29:08 | 8751 | 211.12 | 159.91 | 4.33 | 4.33 | 4.33 | 4.33 | -0.22 | -0.22 |
| 4 | 10:29:09 | 8734 | 211.12 | 159.72 | 4.33 | 4.33 | 4.33 | 4.33 | -0.17 | -0.17 |
| 1 | 10:29:10 | 8716 | 211.00 | 159.81 | 4.39 | 4.33 | 4.39 | 4.39 | -0.11 | -0.17 |
| 2 | 10:29:11 | 8698 | 210.87 | 159.81 | 4.39 | 4.39 | 4.39 | 4.39 | -0.17 | -0.17 |

| | RELATIVE | | | | Pitch | Pitch | Pitch | Pitch | Roll | Roll |
|---|----------------|----------|--------|--------|-------|-------|-------|-------|--------|--------|
| S | TIME | Altitude | IAS | Head | Att 1 | Att 2 | Att 3 | Att 4 | Att 1 | Att 2 |
| F | HH:MM:WN=19+58 | WN=10 | WN=09 | WN=13 | WN=29 | WN=45 | WN=61 | WN=14 | WN=46 | |
| 3 | 10:29:12 | 8679 | 210.61 | 159.72 | 4.39 | 4.39 | 4.39 | 4.39 | -0.17 | -0.11 |
| 4 | 10:29:13 | 8661 | 210.48 | 159.81 | 4.39 | 4.33 | 4.33 | 4.33 | -0.11 | -0.06 |
| 1 | 10:29:14 | 8643 | 210.48 | 159.81 | 4.33 | 4.33 | 4.33 | 4.33 | 0.11 | 0.22 |
| 2 | 10:29:15 | 8625 | 210.22 | 159.72 | 4.33 | 4.33 | 4.33 | 4.33 | 0.22 | 0.34 |
| 3 | 10:29:16 | 8606 | 210.35 | 159.72 | 4.33 | 4.33 | 4.33 | 4.27 | 0.45 | 0.45 |
| 4 | 10:29:17 | 8589 | 210.61 | 159.81 | 4.33 | 4.33 | 4.33 | 4.33 | 0.34 | 0.28 |
| 1 | 10:29:18 | 8570 | 210.74 | 159.81 | 4.33 | 4.33 | 4.33 | 4.33 | 0.22 | 0.17 |
| 2 | 10:29:19 | 8552 | 210.74 | 159.72 | 4.33 | 4.33 | 4.33 | 4.33 | 0.17 | 0.11 |
| 3 | 10:29:20 | 8534 | 210.74 | 159.81 | 4.33 | 4.39 | 4.33 | 4.39 | 0.11 | 0.17 |
| 4 | 10:29:21 | 8516 | 210.61 | 159.72 | 4.39 | 4.39 | 4.39 | 4.39 | 0.17 | 0.22 |
| 1 | 10:29:22 | 8496 | 210.35 | 159.81 | 4.39 | 4.39 | 4.39 | 4.39 | 0.22 | 0.22 |
| 2 | 10:29:23 | 8477 | 210.35 | 159.91 | 4.39 | 4.39 | 4.39 | 4.39 | 0.22 | 0.17 |
| 3 | 10:29:24 | 8458 | 210.09 | 159.81 | 4.39 | 4.33 | 4.33 | 4.33 | 0.17 | 0.11 |
| 4 | 10:29:25 | 8440 | 210.09 | 160.00 | 4.33 | 4.33 | 4.27 | 4.33 | -0.11 | -0.17 |
| 1 | 10:29:26 | 8421 | 209.83 | 159.91 | 4.27 | 4.27 | 4.27 | 4.27 | -0.17 | -0.22 |
| 2 | 10:29:27 | 8400 | 209.83 | 160.09 | 4.27 | 4.27 | 4.27 | 4.27 | -0.28 | -0.28 |
| 3 | 10:29:28 | 8381 | 209.57 | 160.00 | 4.20 | 4.27 | 4.20 | 4.20 | -0.28 | -0.28 |
| 4 | 10:29:29 | 8363 | 209.57 | 160.00 | 4.20 | 4.20 | 4.20 | 4.20 | -0.22 | -0.17 |
| 1 | 10:29:30 | 8343 | 209.44 | 160.00 | 4.20 | 4.20 | 4.20 | 4.20 | -0.11 | -0.06 |
| 2 | 10:29:31 | 8324 | 209.18 | 160.00 | 4.20 | 4.20 | 4.20 | 4.20 | 0.11 | -0.11 |
| 3 | 10:29:32 | 8303 | 209.04 | 160.00 | 4.14 | 4.14 | 4.14 | 4.14 | -0.22 | -0.28 |
| 4 | 10:29:33 | 8284 | 208.91 | 159.81 | 4.14 | 4.14 | 4.07 | 4.07 | -0.34 | -0.34 |
| 1 | 10:29:34 | 8263 | 209.04 | 159.91 | 4.07 | 4.07 | 4.07 | 4.07 | -0.39 | -0.39 |
| 2 | 10:29:35 | 8242 | 208.91 | 159.72 | 4.01 | 4.01 | 4.07 | 4.01 | -0.68 | -1.26 |
| 3 | 10:29:36 | 8220 | 208.78 | 159.72 | 4.01 | 4.01 | 4.07 | 4.01 | -2.33 | -3.75 |
| 4 | 10:29:37 | 8199 | 208.78 | 159.63 | 4.01 | 4.01 | 4.07 | 4.07 | -5.51 | -7.22 |
| 1 | 10:29:38 | 8177 | 208.38 | 158.98 | 4.01 | 4.01 | 4.01 | 3.95 | -8.94 | -10.43 |
| 2 | 10:29:39 | 8155 | 207.85 | 158.04 | 3.95 | 3.88 | 3.88 | 3.82 | -11.66 | -12.61 |
| 3 | 10:29:40 | 8134 | 207.45 | 156.60 | 3.82 | 3.75 | 3.82 | 3.75 | -13.33 | -13.99 |
| 4 | 10:29:41 | 8110 | 207.04 | 155.03 | 3.75 | 3.69 | 3.69 | 3.63 | -14.48 | -14.90 |
| 1 | 10:29:42 | 8088 | 207.04 | 153.54 | 3.63 | 3.57 | 3.69 | 3.69 | -15.24 | -15.49 |
| 2 | 10:29:43 | 8065 | 207.18 | 152.22 | 3.75 | 3.75 | 3.82 | 3.82 | -15.58 | -15.58 |
| 3 | 10:29:44 | 8045 | 207.18 | 150.88 | 3.88 | 3.88 | 3.88 | 3.88 | -15.66 | -15.66 |
| 4 | 10:29:45 | 8025 | 207.18 | 149.52 | 3.88 | 3.88 | 3.88 | 3.88 | -15.66 | -15.58 |
| 1 | 10:29:46 | 8005 | 206.91 | 148.47 | 3.88 | 3.82 | 3.82 | 3.88 | -15.49 | -15.32 |
| 2 | 10:29:47 | 7986 | 206.64 | 147.40 | 3.82 | 3.82 | 3.82 | 3.82 | -15.15 | -15.07 |
| 3 | 10:29:48 | 7968 | 206.50 | 146.12 | 3.82 | 3.82 | 3.82 | 3.82 | -14.98 | -14.82 |
| 4 | 10:29:49 | 7950 | 206.37 | 145.14 | 3.82 | 3.69 | 3.69 | 3.69 | -14.57 | -14.15 |
| 1 | 10:29:50 | 7931 | 206.10 | 143.94 | 3.69 | 3.63 | 3.63 | 3.63 | -13.50 | -12.69 |
| 2 | 10:29:51 | 7912 | 205.96 | 142.96 | 3.63 | 3.63 | 3.63 | 3.69 | -11.82 | -10.96 |
| 3 | 10:29:52 | 7892 | 205.82 | 142.30 | 3.69 | 3.69 | 3.75 | 3.82 | -10.05 | -9.08 |
| 4 | 10:29:53 | 7873 | 205.69 | 141.75 | 3.88 | 3.82 | 3.88 | 3.88 | -8.28 | -7.36 |
| 1 | 10:29:54 | 7854 | 205.55 | 141.19 | 3.88 | 3.88 | 3.88 | 3.88 | -6.66 | -5.98 |
| 2 | 10:29:55 | 7834 | 205.55 | 140.97 | 3.95 | 3.95 | 3.95 | 4.01 | -5.38 | -4.91 |
| 3 | 10:29:56 | 7814 | 205.27 | 140.75 | 4.01 | 4.07 | 4.07 | 4.07 | -4.46 | -4.14 |
| 4 | 10:29:57 | 7796 | 205.00 | 140.53 | 4.07 | 4.14 | 4.07 | 4.07 | -3.82 | -3.50 |
| 1 | 10:29:58 | 7778 | 204.86 | 140.31 | 4.14 | 4.07 | 4.07 | 4.07 | -3.31 | -3.07 |
| 2 | 10:29:59 | 7760 | 204.44 | 140.19 | 4.14 | 4.14 | 4.14 | 4.14 | -2.82 | -2.63 |
| 3 | 10:30:00 | 7742 | 204.17 | 140.19 | 4.20 | 4.14 | 4.14 | 4.20 | -2.45 | -2.39 |
| 4 | 10:30:01 | 7723 | 203.75 | 139.86 | 4.20 | 4.20 | 4.20 | 4.20 | -2.27 | -2.21 |
| 1 | 10:30:02 | 7706 | 203.47 | 139.75 | 4.20 | 4.20 | 4.20 | 4.20 | -2.09 | -1.97 |
| 2 | 10:30:03 | 7689 | 203.33 | 139.86 | 4.20 | 4.20 | 4.20 | 4.20 | -1.85 | -1.67 |
| 3 | 10:30:04 | 7672 | 202.76 | 139.64 | 4.27 | 4.20 | 4.20 | 4.27 | -1.49 | -1.38 |
| 4 | 10:30:05 | 7655 | 202.34 | 139.64 | 4.27 | 4.27 | 4.27 | 4.27 | -1.26 | -1.14 |

| S F | RELATIVE | | | Pitch | Pitch | Pitch | Pitch | Roll | Roll | |
|--------|----------------|----------|--------|--------|-------|-------|-------|-------|-------|-------|
| | TIME | Altitude | IAS | Head | Att 1 | Att 2 | Att 3 | Att 4 | Att 1 | Att 2 |
| | HH:MM:WN=19+58 | WN=10 | WN=09 | WN=13 | WN=29 | WN=45 | WN=61 | WN=14 | WN=46 | |
| 1 | 10:30:06 | 7637 | 201.91 | 139.64 | 4.27 | 4.27 | 4.27 | 4.20 | -1.03 | -1.03 |
| 2 | 10:30:07 | 7621 | 201.48 | 139.53 | 4.20 | 4.14 | 4.14 | 4.14 | -1.03 | -1.03 |
| 3 | 10:30:08 | 7604 | 201.05 | 139.42 | 4.20 | 4.14 | 4.20 | 4.20 | -1.03 | -0.97 |
| 4 | 10:30:09 | 7587 | 200.77 | 139.42 | 4.20 | 4.27 | 4.27 | 4.27 | -0.97 | -0.91 |
| 1 | 10:30:10 | 7569 | 200.33 | 139.53 | 4.27 | 4.20 | 4.20 | 4.20 | -0.85 | -0.85 |
| 2 | 10:30:11 | 7552 | 200.04 | 139.30 | 4.20 | 4.20 | 4.20 | 4.27 | -0.79 | -0.79 |
| 3 | 10:30:12 | 7534 | 199.75 | 139.30 | 4.27 | 4.27 | 4.27 | 4.33 | -0.79 | -0.79 |
| 4 | 10:30:13 | 7516 | 199.46 | 139.42 | 4.33 | 4.33 | 4.33 | 4.39 | -0.74 | -0.74 |
| 1 | 10:30:14 | 7496 | 199.46 | 139.19 | 4.39 | 4.39 | 4.46 | 4.46 | -0.74 | -0.68 |
| 2 | 10:30:15 | 7479 | 199.31 | 139.30 | 4.52 | 4.46 | 4.52 | 4.52 | -0.62 | -0.57 |
| 3 | 10:30:16 | 7463 | 199.17 | 139.30 | 4.59 | 4.59 | 4.65 | 4.65 | -0.57 | -0.57 |
| 4 | 10:30:17 | 7445 | 199.02 | 139.42 | 4.72 | 4.72 | 4.72 | 4.78 | -0.57 | -0.62 |
| 1 | 10:30:18 | 7430 | 198.73 | 139.30 | 4.78 | 4.78 | 4.85 | 4.85 | -0.62 | -0.62 |
| 2 | 10:30:19 | 7414 | 198.58 | 139.30 | 4.85 | 4.85 | 4.91 | 4.91 | -0.51 | -0.51 |
| 3 | 10:30:20 | 7399 | 198.44 | 139.30 | 4.91 | 4.91 | 4.98 | 4.98 | -0.51 | -0.51 |
| 4 | 10:30:21 | 7384 | 198.29 | 139.42 | 4.98 | 5.05 | 5.05 | 5.05 | -0.51 | -0.57 |
| 1 | 10:30:22 | 7371 | 197.99 | 139.19 | 5.05 | 5.05 | 5.11 | 5.11 | -0.62 | -0.68 |
| 2 | 10:30:23 | 7357 | 197.85 | 139.19 | 5.11 | 5.18 | 5.18 | 5.18 | -0.68 | -0.68 |
| 3 | 10:30:24 | 7345 | 197.70 | 139.30 | 5.24 | 5.24 | 5.24 | 5.24 | -0.62 | -0.68 |
| 4 | 10:30:25 | 7332 | 196.95 | 139.08 | 5.24 | 5.18 | 5.24 | 5.24 | -0.79 | -0.91 |
| 1 | 10:30:26 | 7319 | 196.80 | 139.19 | 5.24 | 5.24 | 5.31 | 5.31 | -0.85 | -0.74 |
| 2 | 10:30:27 | 7308 | 196.95 | 139.08 | 5.31 | 5.38 | 5.38 | 5.38 | -0.74 | -0.68 |
| 3 | 10:30:28 | 7295 | 196.21 | 138.97 | 5.44 | 5.38 | 5.44 | 5.44 | -0.57 | -0.45 |
| 4 | 10:30:29 | 7284 | 195.15 | 139.19 | 5.44 | 5.44 | 5.44 | 5.38 | -0.39 | -0.28 |
| 1 | 10:30:30 | 7271 | 194.55 | 139.08 | 5.38 | 5.31 | 5.31 | 5.24 | -0.28 | -0.28 |
| 2 | 10:30:31 | 7257 | 194.09 | 139.19 | 5.24 | 5.24 | 5.18 | 5.18 | -0.39 | -0.39 |
| 3 | 10:30:32 | 7242 | 193.48 | 139.30 | 5.11 | 5.11 | 5.11 | 5.11 | -0.34 | -0.28 |
| 4 | 10:30:33 | 7227 | 193.17 | 139.42 | 5.11 | 5.11 | 5.11 | 5.11 | -0.28 | -0.28 |
| 1 | 10:30:34 | 7213 | 192.86 | 139.42 | 5.11 | 5.11 | 5.11 | 5.11 | -0.34 | -0.39 |
| 2 | 10:30:35 | 7198 | 192.40 | 139.30 | 5.11 | 5.18 | 5.18 | 5.18 | -0.45 | -0.51 |
| 3 | 10:30:36 | 7183 | 192.40 | 139.19 | 5.18 | 5.24 | 5.31 | 5.31 | -0.51 | -0.39 |
| 4 | 10:30:37 | 7168 | 192.56 | 139.30 | 5.31 | 5.38 | 5.38 | 5.38 | -0.34 | -0.34 |
| 1 | 10:30:38 | 7155 | 192.09 | 139.08 | 5.38 | 5.38 | 5.38 | 5.31 | -0.34 | -0.39 |
| 2 | 10:30:39 | 7141 | 191.63 | 139.19 | 5.31 | 5.38 | 5.31 | 5.31 | -0.34 | -0.28 |
| 3 | 10:30:40 | 7127 | 191.32 | 139.19 | 5.38 | 5.31 | 5.38 | 5.31 | -0.22 | -0.22 |
| 4 | 10:30:41 | 7113 | 191.01 | 139.08 | 5.31 | 5.31 | 5.24 | 5.24 | -0.11 | -0.11 |
| 1 | 10:30:42 | 7100 | 190.85 | 139.19 | 5.18 | 5.18 | 5.18 | 5.18 | -0.06 | -0.11 |
| 2 | 10:30:43 | 7085 | 191.01 | 139.30 | 5.11 | 5.11 | 5.05 | 5.05 | -0.17 | -0.34 |
| 3 | 10:30:44 | 7072 | 190.70 | 139.19 | 5.05 | 5.05 | 5.05 | 5.05 | -0.39 | -0.45 |
| 4 | 10:30:45 | 7058 | 190.38 | 139.42 | 5.05 | 5.05 | 5.05 | 5.05 | -0.39 | -0.39 |
| 1 | 10:30:46 | 7044 | 190.54 | 139.42 | 5.05 | 4.98 | 5.05 | 5.05 | -0.51 | -0.68 |
| 2 | 10:30:47 | 7029 | 190.23 | 139.42 | 4.98 | 4.98 | 4.98 | 4.98 | -0.74 | -0.74 |
| 3 | 10:30:48 | 7014 | 189.76 | 139.75 | 4.98 | 4.98 | 4.98 | 4.98 | -0.68 | -0.57 |
| 4 | 10:30:49 | 6999 | 189.44 | 139.64 | 4.91 | 4.91 | 4.91 | 4.85 | -0.51 | -0.51 |
| 1 | 10:30:50 | 6982 | 189.13 | 139.75 | 4.85 | 4.85 | 4.78 | 4.78 | -0.45 | -0.39 |
| 2 | 10:30:51 | 6966 | 188.65 | 139.75 | 4.78 | 4.72 | 4.72 | 4.72 | -0.45 | -0.62 |
| 3 | 10:30:52 | 6949 | 188.34 | 139.64 | 4.65 | 4.65 | 4.59 | 4.59 | -0.79 | -0.91 |
| 4 | 10:30:53 | 6930 | 187.86 | 139.64 | 4.52 | 4.52 | 4.46 | 4.46 | -1.08 | -1.14 |
| 1 | 10:30:54 | 6912 | 187.38 | 139.75 | 4.46 | 4.46 | 4.39 | 4.39 | -1.14 | -1.14 |
| 2 | 10:30:55 | 6893 | 187.07 | 139.86 | 4.39 | 4.39 | 4.33 | 4.33 | -1.14 | -1.08 |
| 3 | 10:30:56 | 6871 | 187.07 | 139.75 | 4.33 | 4.27 | 4.27 | 4.27 | -1.03 | -0.97 |
| 4 | 10:30:57 | 6851 | 186.91 | 139.64 | 4.27 | 4.27 | 4.20 | 4.20 | -0.91 | -1.03 |
| 1 | 10:30:58 | 6829 | 186.59 | 139.75 | 4.20 | 4.20 | 4.20 | 4.20 | -1.20 | -1.32 |
| 2 | 10:30:59 | 6807 | 186.43 | 139.64 | 4.20 | 4.14 | 4.14 | 4.14 | -1.49 | -1.67 |

| S | RELATIVE TIME | Altitude | IAS | Head | Pitch Att 1 | Pitch Att 2 | Pitch Att 3 | Pitch Att 4 | Roll Att 1 | Roll Att 2 |
|---|----------------|----------|--------|--------|-------------|-------------|-------------|-------------|------------|------------|
| F | HH:MM:WN=19+58 | WN=10 | WN=10 | WN=09 | WN=13 | WN=29 | WN=45 | WN=61 | WN=14 | WN=46 |
| 3 | 10:31:00 | 6787 | 187.38 | 139.86 | 4.14 | 4.14 | 4.14 | 4.14 | -1.85 | -1.85 |
| 4 | 10:31:01 | 6766 | 187.54 | 139.86 | 4.20 | 4.20 | 4.20 | 4.27 | -1.67 | -1.38 |
| 1 | 10:31:02 | 6746 | 187.86 | 140.08 | 4.20 | 4.20 | 4.27 | 4.27 | -1.20 | -1.20 |
| 2 | 10:31:03 | 6727 | 188.02 | 140.08 | 4.27 | 4.27 | 4.27 | 4.27 | -1.20 | -1.20 |
| 3 | 10:31:04 | 6706 | 188.34 | 139.97 | 4.27 | 4.27 | 4.27 | 4.27 | -1.20 | -1.26 |
| 4 | 10:31:05 | 6686 | 188.34 | 140.19 | 4.27 | 4.27 | 4.27 | 4.27 | -1.26 | -1.20 |
| 1 | 10:31:06 | 6667 | 188.34 | 140.08 | 4.27 | 4.27 | 4.20 | 4.20 | -1.20 | -1.32 |
| 2 | 10:31:07 | 6647 | 188.50 | 140.08 | 4.20 | 4.20 | 4.14 | 4.14 | -1.38 | -1.49 |
| 3 | 10:31:08 | 6626 | 188.50 | 140.19 | 4.14 | 4.07 | 4.07 | 4.01 | -1.55 | -1.49 |
| 4 | 10:31:09 | 6606 | 188.65 | 139.97 | 4.07 | 4.01 | 4.01 | 3.95 | -1.38 | -1.26 |
| 1 | 10:31:10 | 6584 | 188.50 | 139.86 | 3.95 | 3.95 | 3.88 | 3.88 | -1.14 | -1.03 |
| 2 | 10:31:11 | 6564 | 188.50 | 139.86 | 3.95 | 3.95 | 3.95 | 3.88 | -1.03 | -1.14 |
| 3 | 10:31:12 | 6542 | 188.50 | 139.64 | 3.95 | 3.95 | 3.95 | 3.88 | -1.26 | -1.32 |
| 4 | 10:31:13 | 6520 | 188.50 | 139.53 | 3.88 | 3.88 | 3.88 | 3.88 | -1.32 | -1.26 |
| 1 | 10:31:14 | 6498 | 188.65 | 139.53 | 3.88 | 3.82 | 3.82 | 3.88 | -1.03 | -0.97 |
| 2 | 10:31:15 | 6475 | 188.81 | 139.53 | 3.82 | 3.82 | 3.82 | 3.82 | -0.91 | -0.85 |
| 3 | 10:31:16 | 6451 | 189.28 | 139.53 | 3.82 | 3.82 | 3.82 | 3.82 | -0.74 | -0.68 |
| 4 | 10:31:17 | 6428 | 189.28 | 139.53 | 3.88 | 3.82 | 3.88 | 3.82 | -0.57 | -0.57 |
| 1 | 10:31:18 | 6404 | 189.44 | 139.30 | 3.88 | 3.88 | 3.88 | 3.88 | -0.57 | -0.57 |
| 2 | 10:31:19 | 6381 | 189.60 | 139.19 | 3.88 | 3.95 | 3.95 | 3.95 | -0.51 | -0.51 |
| 3 | 10:31:20 | 6359 | 189.60 | 139.08 | 3.95 | 3.95 | 3.95 | 3.95 | -0.45 | -0.45 |
| 4 | 10:31:21 | 6337 | 189.76 | 139.08 | 3.95 | 3.95 | 3.95 | 3.88 | -0.39 | -0.28 |
| 1 | 10:31:22 | 6314 | 189.76 | 138.97 | 3.95 | 3.95 | 3.95 | 3.95 | -0.28 | -0.28 |
| 2 | 10:31:23 | 6291 | 189.91 | 139.08 | 3.95 | 3.95 | 3.95 | 3.95 | -0.28 | -0.39 |
| 3 | 10:31:24 | 6269 | 190.38 | 138.97 | 3.95 | 3.95 | 3.95 | 3.95 | -0.45 | -0.51 |
| 4 | 10:31:25 | 6248 | 190.38 | 139.19 | 3.95 | 3.95 | 3.95 | 3.88 | -0.45 | -0.39 |
| 1 | 10:31:26 | 6227 | 190.23 | 139.08 | 3.88 | 3.88 | 3.88 | 3.82 | -0.28 | -0.22 |
| 2 | 10:31:27 | 6205 | 190.07 | 139.19 | 3.82 | 3.82 | 3.82 | 3.82 | -0.22 | -0.22 |
| 3 | 10:31:28 | 6183 | 189.91 | 139.42 | 3.82 | 3.82 | 3.82 | 3.82 | -0.22 | -0.22 |
| 4 | 10:31:29 | 6160 | 189.76 | 139.53 | 3.82 | 3.82 | 3.75 | 3.75 | -0.22 | -0.28 |
| 1 | 10:31:30 | 6139 | 190.07 | 139.42 | 3.75 | 3.75 | 3.69 | 3.69 | -0.22 | -0.22 |
| 2 | 10:31:31 | 6117 | 190.38 | 139.42 | 3.69 | 3.69 | 3.69 | 3.63 | -0.22 | -0.22 |
| 3 | 10:31:32 | 6095 | 190.38 | 139.64 | 3.69 | 3.63 | 3.63 | 3.63 | -0.34 | -0.51 |
| 4 | 10:31:33 | 6072 | 191.32 | 139.53 | 3.69 | 3.63 | 3.69 | 3.69 | -0.68 | -0.68 |
| 1 | 10:31:34 | 6049 | 191.47 | 139.64 | 3.69 | 3.69 | 3.69 | 3.69 | -0.74 | -0.68 |
| 2 | 10:31:35 | 6028 | 191.47 | 139.64 | 3.75 | 3.75 | 3.75 | 3.75 | -0.62 | -0.57 |
| 3 | 10:31:36 | 6005 | 191.63 | 139.64 | 3.75 | 3.75 | 3.82 | 3.82 | -0.57 | -0.68 |
| 4 | 10:31:37 | 5984 | 191.47 | 139.53 | 3.82 | 3.75 | 3.82 | 3.82 | -0.79 | -0.97 |
| 1 | 10:31:38 | 5962 | 191.63 | 139.53 | 3.82 | 3.82 | 3.82 | 3.82 | -1.08 | -1.20 |
| 2 | 10:31:39 | 5941 | 192.40 | 139.53 | 3.82 | 3.82 | 3.82 | 3.82 | -1.26 | -1.20 |
| 3 | 10:31:40 | 5920 | 192.25 | 139.64 | 3.82 | 3.82 | 3.88 | 3.88 | -1.14 | -1.03 |
| 4 | 10:31:41 | 5898 | 192.09 | 139.75 | 3.88 | 4.01 | 4.14 | 4.27 | -0.97 | -1.03 |
| 1 | 10:31:42 | 5880 | 192.09 | 139.75 | 4.39 | 4.59 | 4.78 | 4.91 | -1.20 | -1.67 |
| 2 | 10:31:43 | 5863 | 192.25 | 139.64 | 5.11 | 5.31 | 5.44 | 5.58 | -2.39 | -3.31 |
| 3 | 10:31:44 | 5847 | 192.25 | 139.53 | 5.64 | 5.78 | 5.85 | 5.98 | -4.52 | -6.18 |
| 4 | 10:31:45 | 5835 | 191.94 | 139.19 | 6.05 | 6.18 | 6.18 | 6.32 | -7.78 | -9.38 |
| 1 | 10:31:46 | 5825 | 191.47 | 137.97 | 6.39 | 6.46 | 6.59 | 6.66 | -10.66 | -11.43 |
| 2 | 10:31:47 | 5819 | 191.32 | 136.51 | 6.80 | 6.94 | 7.01 | 7.08 | -12.13 | -12.77 |
| 3 | 10:31:48 | 5814 | 191.01 | 134.72 | 7.15 | 7.22 | 7.22 | 7.29 | -13.17 | -13.66 |
| 4 | 10:31:49 | 5811 | 190.54 | 133.15 | 7.36 | 7.36 | 7.43 | 7.43 | -14.15 | -14.48 |
| 1 | 10:31:50 | 5808 | 190.38 | 131.59 | 7.43 | 7.43 | 7.43 | 7.43 | -14.82 | -14.98 |
| 2 | 10:31:51 | 5806 | 190.07 | 130.36 | 7.50 | 7.50 | 7.57 | 7.57 | -15.15 | -15.07 |
| 3 | 10:31:52 | 5806 | 190.07 | 128.92 | 7.64 | 7.64 | 7.71 | 7.71 | -14.98 | -14.90 |
| 4 | 10:31:53 | 5806 | 189.91 | 127.70 | 7.64 | 7.64 | 7.64 | 7.64 | -14.90 | -14.90 |

| | RELATIVE | | | | Pitch | Pitch | Pitch | Pitch | Roll | Roll |
|---|----------------|----------|--------|--------|--------|--------|--------|--------|---------|---------|
| S | TIME | Altitude | IAS | Head | Att 1 | Att 2 | Att 3 | Att 4 | Att 1 | Att 2 |
| F | HH:MM:WN=19+58 | WN=10 | WN=09 | WN=13 | WN=29 | WN=45 | WN=61 | WN=14 | WN=46 | |
| 1 | 10:31:54 | 5806 | 189.76 | 126.27 | 7.57 | 7.57 | 7.50 | 7.50 | -14.98 | -15.07 |
| 2 | 10:31:55 | 5808 | 189.60 | 124.97 | 7.43 | 7.50 | 7.50 | 7.50 | -14.98 | -14.82 |
| 3 | 10:31:56 | 5808 | 189.13 | 123.67 | 7.50 | 7.50 | 7.57 | 7.57 | -14.82 | -14.82 |
| 4 | 10:31:57 | 5808 | 189.44 | 122.49 | 7.57 | 7.57 | 7.57 | 7.57 | -14.82 | -14.73 |
| 1 | 10:31:58 | 5808 | 189.28 | 121.11 | 7.57 | 7.57 | 7.57 | 7.57 | -14.57 | -14.40 |
| 2 | 10:31:59 | 5808 | 188.97 | 119.95 | 7.57 | 7.57 | 7.57 | 7.57 | -14.15 | -14.07 |
| 3 | 10:32:00 | 5808 | 189.28 | 118.60 | 7.57 | 7.57 | 7.57 | 7.57 | -13.99 | -13.99 |
| 4 | 10:32:01 | 5809 | 189.28 | 117.38 | 7.57 | 7.57 | 7.57 | 7.57 | -13.99 | -13.99 |
| 1 | 10:32:02 | 5809 | 189.28 | 116.36 | 7.57 | 7.57 | 7.57 | 7.57 | -13.90 | -13.99 |
| 2 | 10:32:03 | 5811 | 189.60 | 115.07 | 7.57 | 7.57 | 7.50 | 7.50 | -13.90 | -13.90 |
| 3 | 10:32:04 | 5811 | 189.76 | 113.69 | 7.50 | 7.50 | 7.50 | 7.50 | -13.90 | -13.82 |
| 4 | 10:32:05 | 5812 | 190.07 | 112.54 | 7.50 | 7.50 | 7.43 | 7.43 | -13.90 | -14.07 |
| 1 | 10:32:06 | 5814 | 190.38 | 111.21 | 7.43 | 7.43 | 7.43 | 7.36 | -13.99 | -13.99 |
| 2 | 10:32:07 | 5815 | 190.38 | 110.09 | 7.36 | 7.36 | 7.36 | 7.36 | -13.99 | -14.07 |
| 3 | 10:32:08 | 5816 | 190.38 | 108.91 | 7.29 | 7.29 | 7.36 | 7.29 | -14.15 | -14.15 |
| 4 | 10:32:09 | 5816 | 190.70 | 107.83 | 7.29 | 7.29 | 7.22 | 7.22 | -14.15 | -14.07 |
| 1 | 10:32:10 | 5818 | 190.54 | 106.61 | 7.22 | 7.22 | 7.22 | 7.15 | -13.74 | -13.33 |
| 2 | 10:32:11 | 5818 | 190.85 | 105.58 | 7.15 | 7.15 | 7.08 | 7.08 | -12.85 | -12.29 |
| 3 | 10:32:12 | 5818 | 190.70 | 104.57 | 7.08 | 7.01 | 7.01 | 7.01 | -11.43 | -10.66 |
| 4 | 10:32:13 | 5816 | 195.30 | 103.99 | 7.08 | 7.22 | 7.22 | 7.08 | -9.23 | -8.43 |
| 1 | 10:32:14 | 5822 | 189.60 | 103.41 | 6.94 | 6.94 | 7.01 | 7.15 | -7.78 | -7.78 |
| 2 | 10:32:15 | 5827 | 192.56 | 102.53 | 7.22 | 7.36 | 7.43 | 7.22 | -11.12 | -16.95 |
| 3 | 10:32:16 | 5812 | 190.70 | 100.58 | 6.87 | 6.46 | 6.05 | 5.58 | -20.28 | -17.39 |
| 4 | 10:32:17 | 5790 | 191.32 | 94.91 | 4.98 | 4.46 | 3.82 | 3.25 | -14.57 | -17.30 |
| 1 | 10:32:18 | 5758 | 191.16 | 88.86 | 2.57 | 1.79 | 1.32 | 1.26 | -26.26 | -35.08 |
| 2 | 10:32:19 | 5719 | 190.70 | 83.47 | 1.43 | 1.32 | 0.79 | -0.45 | -36.71 | -37.92 |
| 3 | 10:32:20 | 5694 | 189.91 | 76.26 | -2.09 | -3.88 | -5.98 | -7.50 | -42.93 | -49.64 |
| 4 | 10:32:21 | 5646 | 188.97 | 70.64 | -8.79 | -9.75 | -10.50 | -11.19 | -54.60 | -57.62 |
| 1 | 10:32:22 | 5606 | 187.38 | 60.98 | -12.05 | -12.77 | -13.66 | -14.48 | -61.40 | -65.43 |
| 2 | 10:32:23 | 5573 | 187.70 | 52.19 | -15.41 | -16.43 | -17.48 | -18.46 | -69.44 | -71.72 |
| 3 | 10:32:24 | 5516 | 187.38 | 40.92 | -19.54 | -20.46 | -21.49 | -22.54 | -71.72 | -70.73 |
| 4 | 10:32:25 | 5495 | 186.27 | 26.26 | -23.69 | -24.97 | -26.46 | -27.99 | -71.36 | -75.93 |
| 1 | 10:32:26 | 5489 | 186.43 | 13.74 | -29.95 | -31.96 | -34.32 | -36.71 | -84.69 | -92.51 |
| 2 | 10:32:27 | 5228 | 191.32 | 5.11 | -39.58 | -42.48 | -45.95 | -49.53 | -98.00 | -101.12 |
| 3 | 10:32:28 | 5007 | 193.33 | 355.02 | -53.62 | -57.72 | -62.11 | -66.31 | -104.15 | -109.36 |
| 4 | 10:32:29 | 4889 | 197.70 | 341.00 | -70.82 | -75.02 | -79.34 | -83.20 | -120.69 | -138.97 |
| 1 | 10:32:30 | 4550 | 207.85 | 347.79 | -86.50 | -86.05 | -82.22 | -78.34 | -163.74 | 77.63 |
| 2 | 10:32:31 | 4051 | 215.61 | 95.31 | -73.65 | -69.35 | -64.44 | -60.15 | 61.91 | 49.53 |
| 3 | 10:32:32 | 3913 | 220.93 | 92.45 | -55.79 | -52.19 | -48.97 | -47.07 | 29.74 | 5.91 |
| 4 | 10:32:33 | 3492 | 230.22 | 77.71 | -46.06 | -45.73 | -45.39 | -44.83 | -14.23 | -15.07 |
| 1 | 10:32:34 | 2929 | 239.32 | 53.07 | -43.60 | -42.03 | -39.92 | -38.36 | -10.35 | -14.23 |
| 2 | 10:32:35 | 2972 | 236.19 | 24.57 | -37.59 | -37.92 | -39.14 | -41.03 | -35.08 | -58.89 |
| 3 | 10:32:36 | 2397 | 245.72 | 5.44 | -43.60 | -46.62 | -50.64 | -54.38 | -68.51 | -63.94 |
| 4 | 10:32:37 | 1880 | 247.86 | 342.78 | -57.83 | -60.26 | -61.91 | -63.13 | -56.98 | -55.58 |
| 1 | 10:32:38 | 1874 | 246.50 | 299.30 | -64.56 | -65.94 | -67.96 | -70.20 | -68.25 | -81.79 |
| 2 | 10:32:39 | 1188 | 261.70 | 271.00 | -73.24 | -76.68 | -79.05 | XX.XX | -76.44 | -40.73 |

| S | RELATIVE TIME | Altitude | Long Acc 1 | Long Acc 2 | Long Acc 3 | Long Acc 4 | ATC Keying |
|---|---------------|-----------|------------|------------|------------|------------|------------|
| F | HH:MM:SS | SWN=19+58 | WN=05 | WN=21 | WN=37 | WN=53 | WN=11 |
| 3 | 10:27:24 | 10840 | 0.021 | 0.021 | 0.022 | 0.022 | 00001 |
| 4 | 10:27:25 | 10835 | 0.024 | 0.023 | 0.024 | 0.026 | 00001 |
| 1 | 10:27:26 | 10830 | 0.027 | 0.027 | 0.028 | 0.027 | 00001 |
| 2 | 10:27:27 | 10825 | 0.027 | 0.026 | 0.025 | 0.026 | 00001 |
| 3 | 10:27:28 | 10818 | 0.024 | 0.024 | 0.024 | 0.022 | 00001 |
| 4 | 10:27:29 | 10811 | 0.022 | 0.024 | 0.022 | 0.022 | 00001 |
| 1 | 10:27:30 | 10802 | 0.022 | 0.022 | 0.022 | 0.023 | 00001 |
| 2 | 10:27:31 | 10791 | 0.022 | 0.022 | 0.022 | 0.024 | 00001 |
| 3 | 10:27:32 | 10778 | 0.024 | 0.024 | 0.024 | 0.025 | 00001 |
| 4 | 10:27:33 | 10764 | 0.025 | 0.026 | 0.026 | 0.027 | 00001 |
| 1 | 10:27:34 | 10751 | 0.027 | 0.027 | 0.027 | 0.029 | 00001 |
| 2 | 10:27:35 | 10736 | 0.029 | 0.028 | 0.029 | 0.030 | 00001 |
| 3 | 10:27:36 | 10719 | 0.030 | 0.032 | 0.032 | 0.032 | 00001 |
| 4 | 10:27:37 | 10703 | 0.033 | 0.033 | 0.034 | 0.033 | 00001 |
| 1 | 10:27:38 | 10688 | 0.033 | 0.034 | 0.033 | 0.034 | 00001 |
| 2 | 10:27:39 | 10672 | 0.034 | 0.033 | 0.033 | 0.033 | 00001 |
| 3 | 10:27:40 | 10657 | 0.033 | 0.033 | 0.033 | 0.033 | 00001 |
| 4 | 10:27:41 | 10641 | 0.032 | 0.032 | 0.032 | 0.031 | 00001 |
| 1 | 10:27:42 | 10624 | 0.031 | 0.030 | 0.030 | 0.030 | 00001 |
| 2 | 10:27:43 | 10606 | 0.029 | 0.029 | 0.030 | 0.029 | 00001 |
| 3 | 10:27:44 | 10587 | 0.029 | 0.029 | 0.029 | 0.029 | 00001 |
| 4 | 10:27:45 | 10567 | 0.030 | 0.029 | 0.028 | 0.029 | 00001 |
| 1 | 10:27:46 | 10545 | 0.030 | 0.029 | 0.028 | 0.028 | 00001 |
| 2 | 10:27:47 | 10522 | 0.028 | 0.027 | 0.030 | 0.029 | 00001 |
| 3 | 10:27:48 | 10498 | 0.029 | 0.029 | 0.030 | 0.029 | 00001 |
| 4 | 10:27:49 | 10471 | 0.030 | 0.029 | 0.030 | 0.030 | 00001 |
| 1 | 10:27:50 | 10444 | 0.031 | 0.030 | 0.031 | 0.030 | 00000 |
| 2 | 10:27:51 | 10415 | 0.032 | 0.033 | 0.033 | 0.033 | 00000 |
| 3 | 10:27:52 | 10386 | 0.033 | 0.034 | 0.034 | 0.035 | 00001 |
| 4 | 10:27:53 | 10358 | 0.035 | 0.036 | 0.035 | 0.035 | 00001 |
| 1 | 10:27:54 | 10329 | 0.035 | 0.036 | 0.037 | 0.037 | 00001 |
| 2 | 10:27:55 | 10301 | 0.037 | 0.037 | 0.037 | 0.037 | 00001 |
| 3 | 10:27:56 | 10274 | 0.037 | 0.038 | 0.037 | 0.037 | 00001 |
| 4 | 10:27:57 | 10249 | 0.037 | 0.037 | 0.037 | 0.036 | 00001 |
| 1 | 10:27:58 | 10223 | 0.036 | 0.036 | 0.036 | 0.035 | 00001 |
| 2 | 10:27:59 | 10199 | 0.035 | 0.034 | 0.034 | 0.035 | 00001 |
| 3 | 10:28:00 | 10174 | 0.034 | 0.034 | 0.034 | 0.033 | 00001 |
| 4 | 10:28:01 | 10150 | 0.033 | 0.033 | 0.032 | 0.033 | 00001 |
| 1 | 10:28:02 | 10128 | 0.033 | 0.032 | 0.033 | 0.033 | 00001 |
| 2 | 10:28:03 | 10104 | 0.033 | 0.033 | 0.033 | 0.032 | 00001 |
| 3 | 10:28:04 | 10081 | 0.032 | 0.032 | 0.032 | 0.032 | 00001 |
| 4 | 10:28:05 | 10058 | 0.030 | 0.030 | 0.030 | 0.030 | 00001 |
| 1 | 10:28:06 | 10034 | 0.031 | 0.030 | 0.029 | 0.030 | 00001 |
| 2 | 10:28:07 | 10009 | 0.029 | 0.030 | 0.030 | 0.031 | 00001 |
| 3 | 10:28:08 | 9983 | 0.030 | 0.031 | 0.029 | 0.030 | 00001 |
| 4 | 10:28:09 | 9957 | 0.030 | 0.030 | 0.032 | 0.032 | 00001 |
| 1 | 10:28:10 | 9931 | 0.031 | 0.032 | 0.032 | 0.032 | 00001 |
| 2 | 10:28:11 | 9905 | 0.032 | 0.032 | 0.032 | 0.033 | 00001 |
| 3 | 10:28:12 | 9878 | 0.032 | 0.032 | 0.032 | 0.033 | 00001 |
| 4 | 10:28:13 | 9851 | 0.033 | 0.032 | 0.034 | 0.033 | 00001 |
| 1 | 10:28:14 | 9823 | 0.033 | 0.034 | 0.033 | 0.033 | 00001 |
| 2 | 10:28:15 | 9797 | 0.034 | 0.033 | 0.034 | 0.034 | 00001 |
| 3 | 10:28:16 | 9771 | 0.035 | 0.034 | 0.034 | 0.035 | 00001 |
| 4 | 10:28:17 | 9744 | 0.034 | 0.035 | 0.035 | 0.035 | 00001 |

| S | RELATIVE TIME | Altitude | Long Acc 1 | Long Acc 2 | Long Acc 3 | Long Acc 4 | ATC Keying |
|---|-----------------|----------|------------|------------|------------|------------|------------|
| F | HH:MM:SWN=19+58 | WN=05 | WN=21 | WN=37 | WN=53 | WN=11 | |
| 1 | 10:28:18 | 9718 | 0.034 | 0.035 | 0.035 | 0.036 | 00001 |
| 2 | 10:28:19 | 9694 | 0.035 | 0.035 | 0.036 | 0.037 | 00001 |
| 3 | 10:28:20 | 9668 | 0.036 | 0.035 | 0.035 | 0.035 | 00001 |
| 4 | 10:28:21 | 9644 | 0.035 | 0.035 | 0.035 | 0.035 | 00001 |
| 1 | 10:28:22 | 9618 | 0.035 | 0.034 | 0.034 | 0.034 | 00001 |
| 2 | 10:28:23 | 9596 | 0.034 | 0.035 | 0.035 | 0.034 | 00001 |
| 3 | 10:28:24 | 9572 | 0.035 | 0.034 | 0.034 | 0.033 | 00001 |
| 4 | 10:28:25 | 9547 | 0.033 | 0.033 | 0.033 | 0.035 | 00001 |
| 1 | 10:28:26 | 9525 | 0.035 | 0.035 | 0.035 | 0.034 | 00001 |
| 2 | 10:28:27 | 9502 | 0.034 | 0.034 | 0.033 | 0.033 | 00001 |
| 3 | 10:28:28 | 9481 | 0.034 | 0.035 | 0.035 | 0.034 | 00001 |
| 4 | 10:28:29 | 9458 | 0.035 | 0.035 | 0.035 | 0.034 | 00001 |
| 1 | 10:28:30 | 9438 | 0.034 | 0.035 | 0.035 | 0.035 | 00001 |
| 2 | 10:28:31 | 9418 | 0.034 | 0.035 | 0.034 | 0.034 | 00001 |
| 3 | 10:28:32 | 9399 | 0.034 | 0.034 | 0.033 | 0.033 | 00001 |
| 4 | 10:28:33 | 9380 | 0.033 | 0.033 | 0.033 | 0.032 | 00001 |
| 1 | 10:28:34 | 9363 | 0.032 | 0.032 | 0.032 | 0.032 | 00001 |
| 2 | 10:28:35 | 9346 | 0.030 | 0.030 | 0.030 | 0.029 | 00001 |
| 3 | 10:28:36 | 9329 | 0.029 | 0.030 | 0.030 | 0.029 | 00001 |
| 4 | 10:28:37 | 9312 | 0.027 | 0.028 | 0.028 | 0.029 | 00001 |
| 1 | 10:28:38 | 9295 | 0.028 | 0.028 | 0.028 | 0.028 | 00001 |
| 2 | 10:28:39 | 9277 | 0.029 | 0.028 | 0.029 | 0.028 | 00001 |
| 3 | 10:28:40 | 9258 | 0.029 | 0.029 | 0.028 | 0.029 | 00001 |
| 4 | 10:28:41 | 9240 | 0.028 | 0.028 | 0.029 | 0.030 | 00001 |
| 1 | 10:28:42 | 9222 | 0.029 | 0.029 | 0.030 | 0.031 | 00001 |
| 2 | 10:28:43 | 9203 | 0.031 | 0.030 | 0.031 | 0.032 | 00001 |
| 3 | 10:28:44 | 9184 | 0.030 | 0.032 | 0.031 | 0.032 | 00001 |
| 4 | 10:28:45 | 9165 | 0.032 | 0.031 | 0.032 | 0.032 | 00001 |
| 1 | 10:28:46 | 9146 | 0.033 | 0.032 | 0.033 | 0.033 | 00001 |
| 2 | 10:28:47 | 9126 | 0.032 | 0.033 | 0.033 | 0.033 | 00001 |
| 3 | 10:28:48 | 9108 | 0.033 | 0.033 | 0.033 | 0.033 | 00001 |
| 4 | 10:28:49 | 9089 | 0.034 | 0.034 | 0.033 | 0.033 | 00001 |
| 1 | 10:28:50 | 9070 | 0.034 | 0.034 | 0.034 | 0.034 | 00001 |
| 2 | 10:28:51 | 9051 | 0.033 | 0.034 | 0.035 | 0.034 | 00001 |
| 3 | 10:28:52 | 9033 | 0.033 | 0.034 | 0.033 | 0.034 | 00001 |
| 4 | 10:28:53 | 9014 | 0.035 | 0.034 | 0.035 | 0.034 | 00001 |
| 1 | 10:28:54 | 8995 | 0.035 | 0.035 | 0.034 | 0.034 | 00001 |
| 2 | 10:28:55 | 8978 | 0.035 | 0.035 | 0.035 | 0.035 | 00001 |
| 3 | 10:28:56 | 8960 | 0.035 | 0.035 | 0.034 | 0.035 | 00001 |
| 4 | 10:28:57 | 8943 | 0.035 | 0.034 | 0.034 | 0.034 | 00001 |
| 1 | 10:28:58 | 8927 | 0.033 | 0.034 | 0.035 | 0.034 | 00001 |
| 2 | 10:28:59 | 8911 | 0.034 | 0.034 | 0.034 | 0.033 | 00001 |
| 3 | 10:29:00 | 8894 | 0.034 | 0.034 | 0.033 | 0.033 | 00001 |
| 4 | 10:29:01 | 8876 | 0.034 | 0.033 | 0.033 | 0.033 | 00001 |
| 1 | 10:29:02 | 8859 | 0.033 | 0.033 | 0.033 | 0.033 | 00001 |
| 2 | 10:29:03 | 8842 | 0.033 | 0.033 | 0.033 | 0.033 | 00001 |
| 3 | 10:29:04 | 8824 | 0.032 | 0.033 | 0.033 | 0.033 | 00001 |
| 4 | 10:29:05 | 8806 | 0.033 | 0.033 | 0.034 | 0.033 | 00001 |
| 1 | 10:29:06 | 8787 | 0.034 | 0.034 | 0.034 | 0.034 | 00001 |
| 2 | 10:29:07 | 8769 | 0.035 | 0.034 | 0.034 | 0.034 | 00001 |
| 3 | 10:29:08 | 8751 | 0.034 | 0.034 | 0.034 | 0.034 | 00001 |
| 4 | 10:29:09 | 8734 | 0.034 | 0.034 | 0.035 | 0.035 | 00001 |
| 1 | 10:29:10 | 8716 | 0.035 | 0.035 | 0.035 | 0.035 | 00001 |
| 2 | 10:29:11 | 8698 | 0.035 | 0.037 | 0.036 | 0.036 | 00001 |

CONFIG:737-300/400 SSFDR 542A ELEC VER. 1.2 PRINTER

| | RELATIVE S TIME F HH:MM:SWN=19+58 | Altitude | Long Acc 1 WN=05 | Long Acc 2 WN=21 | Long Acc 3 WN=37 | Long Acc 4 WN=53 | ATC Keying WN=11 |
|---|---|----------|------------------------|------------------------|------------------------|------------------------|------------------------|
| 3 | 10:29:12 | 8679 | 0.037 | 0.036 | 0.036 | 0.036 | 00001 |
| 4 | 10:29:13 | 8661 | 0.036 | 0.037 | 0.036 | 0.036 | 00001 |
| 1 | 10:29:14 | 8643 | 0.036 | 0.035 | 0.035 | 0.035 | 00001 |
| 2 | 10:29:15 | 8625 | 0.035 | 0.035 | 0.036 | 0.036 | 00001 |
| 3 | 10:29:16 | 8606 | 0.036 | 0.036 | 0.035 | 0.035 | 00001 |
| 4 | 10:29:17 | 8589 | 0.035 | 0.035 | 0.035 | 0.035 | 00001 |
| 1 | 10:29:18 | 8570 | 0.035 | 0.035 | 0.035 | 0.034 | 00001 |
| 2 | 10:29:19 | 8552 | 0.035 | 0.035 | 0.035 | 0.035 | 00001 |
| 3 | 10:29:20 | 8534 | 0.035 | 0.035 | 0.035 | 0.035 | 00001 |
| 4 | 10:29:21 | 8516 | 0.035 | 0.035 | 0.035 | 0.035 | 00001 |
| 1 | 10:29:22 | 8496 | 0.035 | 0.035 | 0.035 | 0.036 | 00001 |
| 2 | 10:29:23 | 8477 | 0.036 | 0.036 | 0.035 | 0.035 | 00001 |
| 3 | 10:29:24 | 8458 | 0.035 | 0.036 | 0.035 | 0.035 | 00001 |
| 4 | 10:29:25 | 8440 | 0.036 | 0.035 | 0.035 | 0.035 | 00001 |
| 1 | 10:29:26 | 8421 | 0.035 | 0.035 | 0.035 | 0.035 | 00001 |
| 2 | 10:29:27 | 8400 | 0.035 | 0.035 | 0.036 | 0.036 | 00001 |
| 3 | 10:29:28 | 8381 | 0.037 | 0.037 | 0.037 | 0.037 | 00001 |
| 4 | 10:29:29 | 8363 | 0.037 | 0.037 | 0.036 | 0.036 | 00001 |
| 1 | 10:29:30 | 8343 | 0.036 | 0.037 | 0.036 | 0.036 | 00001 |
| 2 | 10:29:31 | 8324 | 0.036 | 0.037 | 0.036 | 0.036 | 00001 |
| 3 | 10:29:32 | 8303 | 0.035 | 0.035 | 0.037 | 0.036 | 00001 |
| 4 | 10:29:33 | 8284 | 0.037 | 0.035 | 0.037 | 0.037 | 00001 |
| 1 | 10:29:34 | 8263 | 0.037 | 0.036 | 0.036 | 0.036 | 00001 |
| 2 | 10:29:35 | 8242 | 0.036 | 0.037 | 0.036 | 0.037 | 00000 |
| 3 | 10:29:36 | 8220 | 0.036 | 0.037 | 0.037 | 0.037 | 00000 |
| 4 | 10:29:37 | 8199 | 0.037 | 0.038 | 0.038 | 0.040, | 00000 |
| 1 | 10:29:38 | 8177 | 0.039 | 0.039 | 0.039 | 0.039 | 00000 |
| 2 | 10:29:39 | 8155 | 0.039 | 0.041 | 0.039 | 0.040 | 00000 |
| 3 | 10:29:40 | 8134 | 0.040 | 0.041 | 0.040 | 0.041 | 00001 |
| 4 | 10:29:41 | 8110 | 0.041 | 0.041 | 0.039 | 0.039 | 00001 |
| 1 | 10:29:42 | 8088 | 0.039 | 0.038 | 0.039 | 0.039 | 00001 |
| 2 | 10:29:43 | 8065 | 0.040 | 0.041 | 0.038 | 0.037 | 00001 |
| 3 | 10:29:44 | 8045 | 0.037 | 0.035 | 0.034 | 0.033 | 00001 |
| 4 | 10:29:45 | 8025 | 0.032 | 0.030 | 0.029 | 0.029 | 00001 |
| 1 | 10:29:46 | 8005 | 0.029 | 0.028 | 0.027 | 0.027 | 00001 |
| 2 | 10:29:47 | 7986 | 0.025 | 0.025 | 0.025 | 0.025 | 00001 |
| 3 | 10:29:48 | 7968 | 0.025 | 0.025 | 0.023 | 0.023 | 00001 |
| 4 | 10:29:49 | 7950 | 0.023 | 0.024 | 0.022 | 0.022 | 00001 |
| 1 | 10:29:50 | 7931 | 0.022 | 0.020 | 0.022 | 0.021 | 00001 |
| 2 | 10:29:51 | 7912 | 0.022 | 0.021 | 0.021 | 0.022 | 00001 |
| 3 | 10:29:52 | 7892 | 0.022 | 0.022 | 0.024 | 0.023 | 00001 |
| 4 | 10:29:53 | 7873 | 0.024 | 0.024 | 0.024 | 0.023 | 00001 |
| 1 | 10:29:54 | 7854 | 0.023 | 0.023 | 0.022 | 0.023 | 00001 |
| 2 | 10:29:55 | 7834 | 0.023 | 0.022 | 0.023 | 0.022 | 00001 |
| 3 | 10:29:56 | 7814 | 0.023 | 0.022 | 0.022 | 0.023 | 00001 |
| 4 | 10:29:57 | 7796 | 0.024 | 0.024 | 0.024 | 0.024 | 00001 |
| 1 | 10:29:58 | 7778 | 0.024 | 0.023 | 0.024 | 0.023 | 00001 |
| 2 | 10:29:59 | 7760 | 0.023 | 0.024 | 0.023 | 0.025 | 00001 |
| 3 | 10:30:00 | 7742 | 0.025 | 0.023 | 0.024 | 0.024 | 00001 |
| 4 | 10:30:01 | 7723 | 0.024 | 0.024 | 0.025 | 0.024 | 00001 |
| 1 | 10:30:02 | 7706 | 0.026 | 0.025 | 0.026 | 0.025 | 00001 |
| 2 | 10:30:03 | 7689 | 0.025 | 0.026 | 0.026 | 0.026 | 00001 |
| 3 | 10:30:04 | 7672 | 0.026 | 0.026 | 0.027 | 0.026 | 00001 |
| 4 | 10:30:05 | 7655 | 0.026 | 0.027 | 0.027 | 0.028 | 00001 |

| | RELATIVE | Long | Long | Long | Long | Long ATC | |
|---|-----------------|----------|-------|-------|-------|----------|--------|
| S | TIME | Altitude | Acc 1 | Acc 2 | Acc 3 | Acc 4 | Keying |
| F | HH:MM:SWN=19+58 | WN=05 | WN=21 | WN=37 | WN=53 | WN=11 | |
| 1 | 10:30:06 | 7637 | 0.027 | 0.028 | 0.026 | 0.026 | 00001 |
| 2 | 10:30:07 | 7621 | 0.026 | 0.025 | 0.026 | 0.025 | 00001 |
| 3 | 10:30:08 | 7604 | 0.025 | 0.026 | 0.026 | 0.026 | 00001 |
| 4 | 10:30:09 | 7587 | 0.027 | 0.028 | 0.027 | 0.028 | 00001 |
| 1 | 10:30:10 | 7569 | 0.027 | 0.027 | 0.028 | 0.028 | 00001 |
| 2 | 10:30:11 | 7552 | 0.027 | 0.029 | 0.027 | 0.029 | 00001 |
| 3 | 10:30:12 | 7534 | 0.028 | 0.028 | 0.030 | 0.029 | 00001 |
| 4 | 10:30:13 | 7516 | 0.030 | 0.029 | 0.030 | 0.032 | 00001 |
| 1 | 10:30:14 | 7496 | 0.030 | 0.032 | 0.032 | 0.032 | 00001 |
| 2 | 10:30:15 | 7479 | 0.032 | 0.033 | 0.032 | 0.032 | 00001 |
| 3 | 10:30:16 | 7463 | 0.033 | 0.032 | 0.033 | 0.033 | 00001 |
| 4 | 10:30:17 | 7445 | 0.033 | 0.033 | 0.033 | 0.034 | 00001 |
| 1 | 10:30:18 | 7430 | 0.034 | 0.034 | 0.034 | 0.035 | 00001 |
| 2 | 10:30:19 | 7414 | 0.035 | 0.034 | 0.034 | 0.034 | 00000 |
| 3 | 10:30:20 | 7399 | 0.034 | 0.035 | 0.035 | 0.035 | 00000 |
| 4 | 10:30:21 | 7384 | 0.035 | 0.034 | 0.035 | 0.034 | 00001 |
| 1 | 10:30:22 | 7371 | 0.035 | 0.034 | 0.033 | 0.034 | 00001 |
| 2 | 10:30:23 | 7357 | 0.035 | 0.035 | 0.035 | 0.037 | 00001 |
| 3 | 10:30:24 | 7345 | 0.036 | 0.036 | 0.036 | 0.037 | 00000 |
| 4 | 10:30:25 | 7332 | 0.036 | 0.037 | 0.035 | 0.036 | 00001 |
| 1 | 10:30:26 | 7319 | 0.035 | 0.035 | 0.035 | 0.034 | 00001 |
| 2 | 10:30:27 | 7308 | 0.034 | 0.033 | 0.033 | 0.034 | 00001 |
| 3 | 10:30:28 | 7295 | 0.034 | 0.034 | 0.033 | 0.035 | 00001 |
| 4 | 10:30:29 | 7284 | 0.033 | 0.034 | 0.035 | 0.033 | 00001 |
| 1 | 10:30:30 | 7271 | 0.034 | 0.033 | 0.033 | 0.035 | 00001 |
| 2 | 10:30:31 | 7257 | 0.034 | 0.035 | 0.034 | 0.034 | 00001 |
| 3 | 10:30:32 | 7242 | 0.035 | 0.035 | 0.035 | 0.037 | 00001 |
| 4 | 10:30:33 | 7227 | 0.036 | 0.038 | 0.039 | 0.038 | 00001 |
| 1 | 10:30:34 | 7213 | 0.039 | 0.040 | 0.040 | 0.040 | 00001 |
| 2 | 10:30:35 | 7198 | 0.042 | 0.042 | 0.042 | 0.043 | 00001 |
| 3 | 10:30:36 | 7183 | 0.042 | 0.043 | 0.043 | 0.043 | 00001 |
| 4 | 10:30:37 | 7168 | 0.043 | 0.043 | 0.043 | 0.044 | 00001 |
| 1 | 10:30:38 | 7155 | 0.044 | 0.042 | 0.042 | 0.041 | 00001 |
| 2 | 10:30:39 | 7141 | 0.041 | 0.041 | 0.042 | 0.040 | 00001 |
| 3 | 10:30:40 | 7127 | 0.041 | 0.041 | 0.042 | 0.041 | 00001 |
| 4 | 10:30:41 | 7113 | 0.041 | 0.040 | 0.040 | 0.041 | 00001 |
| 1 | 10:30:42 | 7100 | 0.040 | 0.040 | 0.040 | 0.040 | 00001 |
| 2 | 10:30:43 | 7085 | 0.041 | 0.039 | 0.038 | 0.038 | 00001 |
| 3 | 10:30:44 | 7072 | 0.038 | 0.038 | 0.040 | 0.040 | 00001 |
| 4 | 10:30:45 | 7058 | 0.041 | 0.041 | 0.040 | 0.040 | 00001 |
| 1 | 10:30:46 | 7044 | 0.040 | 0.039 | 0.039 | 0.038 | 00001 |
| 2 | 10:30:47 | 7029 | 0.039 | 0.038 | 0.039 | 0.040 | 00001 |
| 3 | 10:30:48 | 7014 | 0.040 | 0.040 | 0.040 | 0.040 | 00001 |
| 4 | 10:30:49 | 6999 | 0.040 | 0.041 | 0.041 | 0.040 | 00001 |
| 1 | 10:30:50 | 6982 | 0.039 | 0.040 | 0.039 | 0.041 | 00001 |
| 2 | 10:30:51 | 6966 | 0.040 | 0.040 | 0.040 | 0.040 | 00001 |
| 3 | 10:30:52 | 6949 | 0.041 | 0.040 | 0.040 | 0.040 | 00001 |
| 4 | 10:30:53 | 6930 | 0.041 | 0.040 | 0.040 | 0.040 | 00001 |
| 1 | 10:30:54 | 6912 | 0.041 | 0.041 | 0.042 | 0.041 | 00001 |
| 2 | 10:30:55 | 6893 | 0.041 | 0.041 | 0.043 | 0.042 | 00001 |
| 3 | 10:30:56 | 6871 | 0.044 | 0.044 | 0.044 | 0.043 | 00001 |
| 4 | 10:30:57 | 6851 | 0.044 | 0.044 | 0.045 | 0.046 | 00001 |
| 1 | 10:30:58 | 6829 | 0.047 | 0.048 | 0.048 | 0.049 | 00001 |
| 2 | 10:30:59 | 6807 | 0.049 | 0.049 | 0.049 | 0.048 | 00001 |

| S | RELATIVE TIME | Altitude | Long Acc 1 | Long Acc 2 | Long Acc 3 | Long ATC Acc 4 | Keying |
|---|---------------|----------|------------|------------|------------|----------------|--------|
| F | HH:MM:SS | WN=19+58 | WN=05 | WN=21 | WN=37 | WN=53 | WN=11 |
| 3 | 10:31:00 | 6787 | 0.048 | 0.048 | 0.048 | 0.048 | 00001 |
| 4 | 10:31:01 | 6766 | 0.049 | 0.049 | 0.048 | 0.048 | 00001 |
| 1 | 10:31:02 | 6746 | 0.048 | 0.048 | 0.048 | 0.048 | 00001 |
| 2 | 10:31:03 | 6727 | 0.046 | 0.048 | 0.046 | 0.046 | 00001 |
| 3 | 10:31:04 | 6706 | 0.045 | 0.045 | 0.044 | 0.045 | 00001 |
| 4 | 10:31:05 | 6686 | 0.043 | 0.043 | 0.044 | 0.043 | 00001 |
| 1 | 10:31:06 | 6667 | 0.043 | 0.043 | 0.043 | 0.043 | 00001 |
| 2 | 10:31:07 | 6647 | 0.043 | 0.043 | 0.043 | 0.043 | 00001 |
| 3 | 10:31:08 | 6626 | 0.043 | 0.042 | 0.042 | 0.043 | 00001 |
| 4 | 10:31:09 | 6606 | 0.042 | 0.042 | 0.042 | 0.042 | 00001 |
| 1 | 10:31:10 | 6584 | 0.042 | 0.042 | 0.042 | 0.041 | 00001 |
| 2 | 10:31:11 | 6564 | 0.042 | 0.042 | 0.043 | 0.042 | 00001 |
| 3 | 10:31:12 | 6542 | 0.043 | 0.043 | 0.043 | 0.043 | 00001 |
| 4 | 10:31:13 | 6520 | 0.042 | 0.042 | 0.042 | 0.042 | 00001 |
| 1 | 10:31:14 | 6498 | 0.043 | 0.043 | 0.042 | 0.043 | 00001 |
| 2 | 10:31:15 | 6475 | 0.041 | 0.041 | 0.042 | 0.042 | 00001 |
| 3 | 10:31:16 | 6451 | 0.043 | 0.043 | 0.043 | 0.044 | 00001 |
| 4 | 10:31:17 | 6428 | 0.043 | 0.042 | 0.043 | 0.043 | 00001 |
| 1 | 10:31:18 | 6404 | 0.042 | 0.042 | 0.043 | 0.043 | 00001 |
| 2 | 10:31:19 | 6381 | 0.044 | 0.043 | 0.043 | 0.043 | 00001 |
| 3 | 10:31:20 | 6359 | 0.043 | 0.042 | 0.042 | 0.043 | 00001 |
| 4 | 10:31:21 | 6337 | 0.043 | 0.043 | 0.044 | 0.042 | 00001 |
| 1 | 10:31:22 | 6314 | 0.043 | 0.042 | 0.043 | 0.043 | 00001 |
| 2 | 10:31:23 | 6291 | 0.043 | 0.041 | 0.042 | 0.042 | 00001 |
| 3 | 10:31:24 | 6269 | 0.042 | 0.042 | 0.043 | 0.043 | 00001 |
| 4 | 10:31:25 | 6248 | 0.043 | 0.043 | 0.042 | 0.042 | 00001 |
| 1 | 10:31:26 | 6227 | 0.043 | 0.042 | 0.043 | 0.043 | 00001 |
| 2 | 10:31:27 | 6205 | 0.043 | 0.042 | 0.042 | 0.042 | 00001 |
| 3 | 10:31:28 | 6183 | 0.043 | 0.043 | 0.042 | 0.042 | 00001 |
| 4 | 10:31:29 | 6160 | 0.042 | 0.043 | 0.042 | 0.042 | 00001 |
| 1 | 10:31:30 | 6139 | 0.042 | 0.042 | 0.041 | 0.040 | 00001 |
| 2 | 10:31:31 | 6117 | 0.041 | 0.040 | 0.041 | 0.040 | 00001 |
| 3 | 10:31:32 | 6095 | 0.041 | 0.041 | 0.039 | 0.039 | 00001 |
| 4 | 10:31:33 | 6072 | 0.039 | 0.040 | 0.042 | 0.041 | 00001 |
| 1 | 10:31:34 | 6049 | 0.040 | 0.040 | 0.040 | 0.040 | 00001 |
| 2 | 10:31:35 | 6028 | 0.042 | 0.041 | 0.041 | 0.040 | 00001 |
| 3 | 10:31:36 | 6005 | 0.040 | 0.041 | 0.042 | 0.042 | 00001 |
| 4 | 10:31:37 | 5984 | 0.042 | 0.042 | 0.041 | 0.042 | 00001 |
| 1 | 10:31:38 | 5962 | 0.041 | 0.041 | 0.040 | 0.039 | 00001 |
| 2 | 10:31:39 | 5941 | 0.039 | 0.039 | 0.038 | 0.039 | 00001 |
| 3 | 10:31:40 | 5920 | 0.038 | 0.041 | 0.040 | 0.040 | 00001 |
| 4 | 10:31:41 | 5898 | 0.041 | 0.041 | 0.042 | 0.044 | 00001 |
| 1 | 10:31:42 | 5880 | 0.047 | 0.050 | 0.053 | 0.057 | 00001 |
| 2 | 10:31:43 | 5863 | 0.059 | 0.061 | 0.063 | 0.064 | 00001 |
| 3 | 10:31:44 | 5847 | 0.062 | 0.065 | 0.065 | 0.068 | 00001 |
| 4 | 10:31:45 | 5835 | 0.070 | 0.071 | 0.072 | 0.075 | 00001 |
| 1 | 10:31:46 | 5825 | 0.077 | 0.080 | 0.083 | 0.088 | 00001 |
| 2 | 10:31:47 | 5819 | 0.090 | 0.094 | 0.096 | 0.099 | 00001 |
| 3 | 10:31:48 | 5814 | 0.099 | 0.098 | 0.097 | 0.099 | 00001 |
| 4 | 10:31:49 | 5811 | 0.100 | 0.099 | 0.099 | 0.100 | 00000 |
| 1 | 10:31:50 | 5808 | 0.101 | 0.099 | 0.099 | 0.098 | 00000 |
| 2 | 10:31:51 | 5806 | 0.101 | 0.103 | 0.101 | 0.102 | 00000 |
| 3 | 10:31:52 | 5806 | 0.104 | 0.106 | 0.105 | 0.105 | 00001 |
| 4 | 10:31:53 | 5806 | 0.107 | 0.108 | 0.107 | 0.107 | 00001 |

| | RELATIVE S TIME Altitude F HH:MM:SWN=19+58 | Long Acc 1 WN=05 | Long Acc 2 WN=21 | Long Acc 3 WN=37 | Long Acc 4 WN=53 | ATC Keying WN=11 |
|---|--|------------------------|------------------------|------------------------|------------------------|------------------------|
| 1 | 10:31:54 | 5806 | 0.107 | 0.108 | 0.107 | 0.107 00001 |
| 2 | 10:31:55 | 5808 | 0.107 | 0.108 | 0.107 | 0.110 00001 |
| 3 | 10:31:56 | 5808 | 0.110 | 0.110 | 0.107 | 0.111 00001 |
| 4 | 10:31:57 | 5808 | 0.112 | 0.112 | 0.112 | 0.112 00001 |
| 1 | 10:31:58 | 5808 | 0.112 | 0.112 | 0.111 | 0.112 00001 |
| 2 | 10:31:59 | 5808 | 0.114 | 0.114 | 0.115 | 0.115 00001 |
| 3 | 10:32:00 | 5808 | 0.115 | 0.114 | 0.116 | 0.115 00001 |
| 4 | 10:32:01 | 5809 | 0.115 | 0.114 | 0.114 | 0.114 00001 |
| 1 | 10:32:02 | 5809 | 0.114 | 0.115 | 0.114 | 0.114 00001 |
| 2 | 10:32:03 | 5811 | 0.114 | 0.115 | 0.115 | 0.115 00001 |
| 3 | 10:32:04 | 5811 | 0.114 | 0.115 | 0.114 | 0.114 00001 |
| 4 | 10:32:05 | 5812 | 0.115 | 0.114 | 0.113 | 0.114 00001 |
| 1 | 10:32:06 | 5814 | 0.114 | 0.112 | 0.113 | 0.113 00001 |
| 2 | 10:32:07 | 5815 | 0.112 | 0.112 | 0.112 | 0.112 00001 |
| 3 | 10:32:08 | 5816 | 0.111 | 0.110 | 0.110 | 0.110 00001 |
| 4 | 10:32:09 | 5816 | 0.109 | 0.108 | 0.107 | 0.106 00001 |
| 1 | 10:32:10 | 5818 | 0.106 | 0.107 | 0.105 | 0.107 00001 |
| 2 | 10:32:11 | 5818 | 0.107 | 0.105 | 0.104 | 0.102 00001 |
| 3 | 10:32:12 | 5818 | 0.107 | 0.109 | 0.096 | 0.084 00001 |
| 4 | 10:32:13 | 5816 | 0.081 | 0.119 | 0.123 | 0.110 00001 |
| 1 | 10:32:14 | 5822 | 0.080 | 0.076 | 0.081 | 0.096 00001 |
| 2 | 10:32:15 | 5827 | 0.116 | 0.105 | 0.111 | 0.112 00001 |
| 3 | 10:32:16 | 5812 | 0.101 | 0.102 | 0.095 | 0.097 00001 |
| 4 | 10:32:17 | 5790 | 0.096 | 0.095 | 0.081 | 0.088 00001 |
| 1 | 10:32:18 | 5758 | 0.124 | 0.138 | 0.161 | 0.177 00001 |
| 2 | 10:32:19 | 5719 | 0.205 | 0.232 | 0.251 | 0.253 00001 |
| 3 | 10:32:20 | 5694 | 0.237 | 0.203 | 0.170 | 0.135 00001 |
| 4 | 10:32:21 | 5646 | 0.116 | 0.120 | 0.136 | 0.157 00001 |
| 1 | 10:32:22 | 5606 | 0.178 | 0.198 | 0.216 | 0.233 00001 |
| 2 | 10:32:23 | 5573 | 0.244 | 0.254 | 0.265 | 0.272 00001 |
| 3 | 10:32:24 | 5516 | 0.295 | 0.314 | 0.335 | 0.349 00001 |
| 4 | 10:32:25 | 5495 | 0.334 | 0.324 | 0.332 | 0.345 00001 |
| 1 | 10:32:26 | 5489 | 0.356 | 0.360 | 0.361 | 0.354 00001 |
| 2 | 10:32:27 | 5228 | 0.346 | 0.335 | 0.335 | 0.343 00000 |
| 3 | 10:32:28 | 5007 | 0.349 | 0.369 | 0.379 | 0.392 00000 |
| 4 | 10:32:29 | 4889 | 0.414 | 0.428 | 0.410 | 0.382 00000 |
| 1 | 10:32:30 | 4550 | 0.372 | 0.360 | 0.351 | 0.341 00001 |
| 2 | 10:32:31 | 4051 | 0.353 | 0.403 | 0.441 | 0.456 00000 |
| 3 | 10:32:32 | 3913 | 0.490 | 0.509 | 0.496 | 0.465 00000 |
| 4 | 10:32:33 | 3492 | 0.441 | 0.424 | 0.425 | 0.415 00000 |
| 1 | 10:32:34 | 2929 | 0.478 | 0.538 | 0.561 | 0.556 00000 |
| 2 | 10:32:35 | 2972 | 0.560 | 0.494 | 0.468 | 0.467 00000 |
| 3 | 10:32:36 | 2397 | 0.451 | 0.452 | 0.446 | 0.463 00000 |
| 4 | 10:32:37 | 1880 | 0.511 | 0.546 | 0.580 | 0.587 00000 |
| 1 | 10:32:38 | 1874 | 0.541 | 0.501 | 0.473 | 0.458 00000 |
| 2 | 10:32:39 | 1880 | 0.484 | 0.472 | 0.519 | 0.556 00000 |

| S | RELATIVE TIME | Altitude | N1 | N1 | N2 | N2 | EGT | EGT | F.Flow | F.Flow |
|---|------------------|----------|-------|-------|-------|-------|-------|-------|--------|--------|
| | | | Eng.1 | Eng.2 | Eng.1 | Eng.2 | Eng.1 | Eng.2 | Eng.1 | Eng.2 |
| F | HH:MM:WN=19+58 | | WN=51 | WN=30 | WN=31 | WN=06 | WN=32 | WN=64 | WN=16 | WN=48 |
| 3 | 10:27:24 | 10840 | 31.3 | 32.4 | 70.4 | 71.0 | 451.8 | 445.6 | 837 | 874 |
| 4 | 10:27:25 | 10835 | 31.3 | 32.4 | 70.4 | 71.1 | 452.5 | 445.6 | 837 | 874 |
| 1 | 10:27:26 | 10830 | 31.3 | 32.4 | 70.4 | 71.1 | 451.8 | 446.3 | 842 | 864 |
| 2 | 10:27:27 | 10825 | 31.2 | 32.4 | 70.4 | 71.0 | 452.5 | 446.3 | 842 | 869 |
| 3 | 10:27:28 | 10818 | 31.3 | 32.4 | 70.4 | 70.9 | 453.2 | 446.9 | 846 | 874 |
| 4 | 10:27:29 | 10811 | 31.2 | 32.3 | 70.3 | 70.9 | 454.6 | 447.6 | 842 | 874 |
| 1 | 10:27:30 | 10802 | 31.2 | 32.3 | 70.4 | 70.9 | 453.9 | 448.3 | 846 | 874 |
| 2 | 10:27:31 | 10791 | 31.2 | 32.4 | 70.3 | 70.9 | 454.6 | 447.6 | 846 | 878 |
| 3 | 10:27:32 | 10778 | 31.2 | 32.3 | 70.4 | 71.0 | 455.3 | 447.6 | 842 | 874 |
| 4 | 10:27:33 | 10764 | 31.2 | 32.3 | 70.4 | 71.0 | 453.9 | 448.3 | 837 | 869 |
| 1 | 10:27:34 | 10751 | 31.3 | 32.3 | 70.4 | 70.9 | 456.0 | 447.6 | 842 | 864 |
| 2 | 10:27:35 | 10736 | 31.2 | 32.3 | 70.4 | 71.0 | 456.0 | 447.6 | 837 | 869 |
| 3 | 10:27:36 | 10719 | 31.2 | 32.3 | 70.3 | 70.9 | 455.3 | 449.0 | 837 | 869 |
| 4 | 10:27:37 | 10703 | 31.2 | 32.3 | 70.3 | 70.9 | 457.4 | 449.0 | 842 | 878 |
| 1 | 10:27:38 | 10688 | 31.2 | 32.3 | 70.3 | 70.9 | 456.0 | 449.0 | 842 | 878 |
| 2 | 10:27:39 | 10672 | 31.2 | 32.3 | 70.3 | 71.0 | 456.0 | 449.0 | 842 | 874 |
| 3 | 10:27:40 | 10657 | 31.2 | 32.3 | 70.3 | 70.9 | 456.7 | 448.3 | 846 | 878 |
| 4 | 10:27:41 | 10641 | 31.2 | 32.2 | 70.3 | 70.9 | 456.0 | 449.0 | 842 | 874 |
| 1 | 10:27:42 | 10624 | 31.2 | 32.3 | 70.4 | 70.9 | 456.7 | 449.0 | 846 | 878 |
| 2 | 10:27:43 | 10606 | 31.1 | 32.2 | 70.3 | 70.9 | 455.3 | 449.7 | 842 | 874 |
| 3 | 10:27:44 | 10587 | 31.2 | 32.3 | 70.3 | 70.9 | 456.7 | 449.0 | 846 | 878 |
| 4 | 10:27:45 | 10567 | 31.1 | 32.2 | 70.3 | 70.9 | 457.4 | 449.0 | 842 | 874 |
| 1 | 10:27:46 | 10545 | 31.2 | 32.3 | 70.3 | 70.9 | 458.1 | 450.4 | 846 | 883 |
| 2 | 10:27:47 | 10522 | 31.1 | 32.2 | 70.3 | 70.8 | 458.8 | 450.4 | 842 | 874 |
| 3 | 10:27:48 | 10498 | 31.1 | 32.2 | 70.3 | 70.9 | 459.5 | 450.4 | 846 | 887 |
| 4 | 10:27:49 | 10471 | 31.1 | 32.2 | 70.3 | 70.9 | 458.8 | 449.7 | 842 | 883 |
| 1 | 10:27:50 | 10444 | 31.1 | 32.2 | 70.3 | 70.9 | 458.8 | 450.4 | 842 | 878 |
| 2 | 10:27:51 | 10415 | 31.1 | 32.2 | 70.2 | 70.9 | 458.1 | 450.4 | 837 | 883 |
| 3 | 10:27:52 | 10386 | 31.1 | 32.1 | 70.3 | 70.8 | 458.8 | 451.1 | 842 | 883 |
| 4 | 10:27:53 | 10358 | 31.1 | 32.2 | 70.2 | 70.8 | 458.1 | 451.1 | 846 | 883 |
| 1 | 10:27:54 | 10329 | 31.1 | 32.2 | 70.3 | 70.9 | 458.8 | 450.4 | 842 | 878 |
| 2 | 10:27:55 | 10301 | 31.1 | 32.1 | 70.2 | 71.0 | 459.5 | 450.4 | 842 | 887 |
| 3 | 10:27:56 | 10274 | 31.1 | 32.2 | 70.3 | 70.9 | 459.5 | 451.1 | 842 | 878 |
| 4 | 10:27:57 | 10249 | 31.1 | 32.2 | 70.3 | 71.0 | 459.5 | 451.1 | 846 | 887 |
| 1 | 10:27:58 | 10223 | 31.1 | 32.2 | 70.3 | 70.9 | 458.8 | 451.8 | 851 | 887 |
| 2 | 10:27:59 | 10199 | 31.1 | 32.2 | 70.3 | 70.9 | 460.2 | 451.1 | 846 | 892 |
| 3 | 10:28:00 | 10174 | 31.1 | 32.1 | 70.2 | 71.0 | 459.5 | 451.8 | 855 | 896 |
| 4 | 10:28:01 | 10150 | 31.1 | 32.2 | 70.3 | 70.9 | 460.2 | 451.1 | 851 | 887 |
| 1 | 10:28:02 | 10128 | 31.1 | 32.1 | 70.3 | 70.9 | 458.8 | 451.1 | 851 | 892 |
| 2 | 10:28:03 | 10104 | 31.1 | 32.2 | 70.3 | 71.0 | 459.5 | 451.8 | 851 | 883 |
| 3 | 10:28:04 | 10081 | 31.1 | 32.2 | 70.3 | 70.9 | 459.5 | 451.8 | 846 | 887 |
| 4 | 10:28:05 | 10058 | 31.1 | 32.2 | 70.2 | 70.8 | 459.5 | 451.1 | 846 | 887 |
| 1 | 10:28:06 | 10034 | 31.1 | 32.2 | 70.3 | 70.8 | 460.9 | 451.1 | 851 | 887 |
| 2 | 10:28:07 | 10009 | 31.1 | 32.2 | 70.2 | 70.8 | 458.8 | 451.8 | 851 | 892 |
| 3 | 10:28:08 | 9983 | 31.1 | 32.2 | 70.3 | 70.8 | 460.9 | 451.8 | 851 | 892 |
| 4 | 10:28:09 | 9957 | 31.1 | 32.2 | 70.2 | 70.8 | 459.5 | 451.8 | 855 | 892 |
| 1 | 10:28:10 | 9931 | 31.1 | 32.2 | 70.3 | 70.8 | 460.9 | 451.1 | 851 | 896 |
| 2 | 10:28:11 | 9905 | 31.1 | 32.2 | 70.3 | 70.9 | 460.2 | 451.8 | 851 | 892 |
| 3 | 10:28:12 | 9878 | 31.1 | 32.2 | 70.3 | 70.9 | 460.9 | 451.8 | 851 | 892 |
| 4 | 10:28:13 | 9851 | 31.1 | 32.2 | 70.3 | 70.9 | 460.9 | 451.1 | 864 | 892 |
| 1 | 10:28:14 | 9823 | 31.1 | 32.2 | 70.3 | 70.7 | 460.2 | 451.8 | 855 | 892 |
| 2 | 10:28:15 | 9797 | 31.1 | 32.2 | 70.3 | 70.9 | 461.6 | 451.8 | 860 | 892 |
| 3 | 10:28:16 | 9771 | 31.1 | 32.2 | 70.3 | 70.9 | 460.9 | 451.8 | 864 | 896 |
| 4 | 10:28:17 | 9744 | 31.1 | 32.2 | 70.3 | 70.9 | 462.3 | 451.8 | 864 | 901 |

| S F | RELATIVE | N1 | N1 | N2 | N2 | EGT | EGT | F.Flow | F.Flow | |
|--------|----------------|-------|-------|-------|-------|-------|-------|--------|--------|-----|
| | TIMEAltitude | Eng.1 | Eng.2 | Eng.1 | Eng.2 | Eng.1 | Eng.2 | Eng.1 | Eng.2 | |
| | HH:MM:WN=19+58 | WN=51 | WN=30 | WN=31 | WN=06 | WN=32 | WN=64 | WN=16 | WN=48 | |
| 1 | 10:28:18 | 9718 | 31.1 | 32.2 | 70.3 | 70.9 | 460.9 | 451.8 | 864 | 901 |
| 2 | 10:28:19 | 9694 | 31.1 | 32.2 | 70.3 | 70.9 | 460.9 | 451.8 | 864 | 906 |
| 3 | 10:28:20 | 9668 | 31.1 | 32.2 | 70.3 | 71.0 | 460.2 | 451.8 | 864 | 910 |
| 4 | 10:28:21 | 9644 | 31.0 | 32.2 | 70.2 | 70.9 | 460.9 | 451.8 | 864 | 906 |
| 1 | 10:28:22 | 9618 | 31.0 | 32.1 | 70.3 | 70.9 | 463.0 | 452.5 | 864 | 910 |
| 2 | 10:28:23 | 9596 | 31.1 | 32.2 | 70.3 | 70.8 | 461.6 | 452.5 | 869 | 906 |
| 3 | 10:28:24 | 9572 | 31.1 | 32.1 | 70.3 | 70.8 | 461.6 | 452.5 | 864 | 901 |
| 4 | 10:28:25 | 9547 | 31.0 | 32.2 | 70.3 | 70.9 | 462.3 | 451.8 | 869 | 910 |
| 1 | 10:28:26 | 9525 | 31.0 | 32.2 | 70.3 | 70.9 | 462.3 | 452.5 | 874 | 906 |
| 2 | 10:28:27 | 9502 | 31.0 | 32.2 | 70.2 | 70.8 | 460.9 | 453.2 | 874 | 910 |
| 3 | 10:28:28 | 9481 | 31.0 | 32.2 | 70.2 | 70.9 | 460.9 | 453.2 | 874 | 906 |
| 4 | 10:28:29 | 9458 | 31.1 | 32.2 | 70.2 | 70.9 | 460.9 | 452.5 | 874 | 906 |
| 1 | 10:28:30 | 9438 | 31.1 | 32.2 | 70.3 | 70.8 | 462.3 | 452.5 | 874 | 915 |
| 2 | 10:28:31 | 9418 | 31.1 | 32.2 | 70.3 | 70.8 | 463.0 | 453.2 | 864 | 906 |
| 3 | 10:28:32 | 9399 | 31.1 | 32.2 | 70.3 | 70.8 | 463.0 | 453.2 | 874 | 910 |
| 4 | 10:28:33 | 9380 | 31.1 | 32.2 | 70.3 | 70.9 | 462.3 | 453.2 | 874 | 910 |
| 1 | 10:28:34 | 9363 | 31.1 | 32.2 | 70.3 | 71.0 | 462.3 | 452.5 | 874 | 910 |
| 2 | 10:28:35 | 9346 | 31.1 | 32.1 | 70.3 | 70.9 | 462.3 | 451.8 | 869 | 910 |
| 3 | 10:28:36 | 9329 | 31.1 | 32.1 | 70.3 | 71.0 | 463.0 | 452.5 | 874 | 910 |
| 4 | 10:28:37 | 9312 | 31.1 | 32.1 | 70.3 | 70.9 | 463.0 | 452.5 | 883 | 910 |
| 1 | 10:28:38 | 9295 | 31.1 | 32.1 | 70.3 | 70.9 | 463.0 | 452.5 | 878 | 915 |
| 2 | 10:28:39 | 9277 | 31.1 | 32.2 | 70.3 | 71.0 | 463.0 | 452.5 | 878 | 919 |
| 3 | 10:28:40 | 9258 | 31.0 | 32.1 | 70.2 | 70.9 | 463.0 | 453.2 | 878 | 919 |
| 4 | 10:28:41 | 9240 | 31.1 | 32.2 | 70.3 | 70.9 | 463.7 | 453.2 | 874 | 915 |
| 1 | 10:28:42 | 9222 | 31.1 | 32.1 | 70.3 | 70.9 | 463.0 | 453.2 | 883 | 910 |
| 2 | 10:28:43 | 9203 | 31.0 | 32.1 | 70.3 | 70.8 | 463.7 | 453.2 | 878 | 915 |
| 3 | 10:28:44 | 9184 | 31.0 | 32.2 | 70.3 | 70.9 | 462.3 | 453.2 | 878 | 915 |
| 4 | 10:28:45 | 9165 | 31.1 | 32.1 | 70.3 | 70.9 | 463.0 | 452.5 | 883 | 915 |
| 1 | 10:28:46 | 9146 | 31.0 | 32.1 | 70.2 | 71.0 | 463.7 | 453.2 | 878 | 919 |
| 2 | 10:28:47 | 9126 | 31.1 | 32.2 | 70.3 | 71.0 | 463.7 | 453.2 | 878 | 910 |
| 3 | 10:28:48 | 9108 | 31.0 | 32.1 | 70.3 | 70.9 | 463.7 | 453.9 | 878 | 919 |
| 4 | 10:28:49 | 9089 | 31.0 | 32.1 | 70.3 | 70.8 | 463.7 | 453.9 | 883 | 915 |
| 1 | 10:28:50 | 9070 | 31.0 | 32.1 | 70.3 | 70.8 | 465.8 | 453.9 | 883 | 924 |
| 2 | 10:28:51 | 9051 | 31.0 | 32.2 | 70.2 | 70.8 | 464.4 | 454.6 | 878 | 924 |
| 3 | 10:28:52 | 9033 | 31.1 | 32.2 | 70.3 | 70.9 | 463.7 | 453.9 | 883 | 915 |
| 4 | 10:28:53 | 9014 | 31.0 | 32.1 | 70.3 | 70.8 | 464.4 | 454.6 | 887 | 924 |
| 1 | 10:28:54 | 8995 | 31.0 | 32.2 | 70.3 | 70.9 | 465.8 | 453.9 | 883 | 919 |
| 2 | 10:28:55 | 8978 | 31.0 | 32.1 | 70.3 | 70.9 | 465.8 | 454.6 | 887 | 924 |
| 3 | 10:28:56 | 8960 | 31.0 | 32.2 | 70.3 | 70.8 | 465.8 | 455.3 | 883 | 928 |
| 4 | 10:28:57 | 8943 | 31.0 | 32.1 | 70.3 | 70.8 | 465.8 | 454.6 | 887 | 924 |
| 1 | 10:28:58 | 8927 | 31.1 | 32.1 | 70.3 | 71.0 | 465.1 | 453.9 | 887 | 928 |
| 2 | 10:28:59 | 8911 | 31.0 | 32.1 | 70.3 | 70.9 | 465.8 | 454.6 | 887 | 924 |
| 3 | 10:29:00 | 8894 | 31.0 | 32.2 | 70.3 | 70.9 | 465.8 | 454.6 | 892 | 919 |
| 4 | 10:29:01 | 8876 | 31.0 | 32.1 | 70.3 | 70.8 | 465.8 | 454.6 | 887 | 924 |
| 1 | 10:29:02 | 8859 | 31.1 | 32.1 | 70.3 | 70.8 | 465.8 | 455.3 | 883 | 938 |
| 2 | 10:29:03 | 8842 | 31.0 | 32.1 | 70.3 | 70.9 | 464.4 | 454.6 | 887 | 933 |
| 3 | 10:29:04 | 8824 | 31.1 | 32.1 | 70.3 | 70.9 | 467.9 | 455.3 | 887 | 928 |
| 4 | 10:29:05 | 8806 | 31.0 | 32.1 | 70.3 | 70.9 | 465.1 | 455.3 | 887 | 933 |
| 1 | 10:29:06 | 8787 | 31.0 | 32.2 | 70.3 | 71.1 | 465.8 | 455.3 | 883 | 928 |
| 2 | 10:29:07 | 8769 | 31.0 | 32.1 | 70.3 | 70.9 | 465.8 | 455.3 | 892 | 933 |
| 3 | 10:29:08 | 8751 | 31.1 | 32.1 | 70.3 | 71.0 | 465.8 | 455.3 | 892 | 938 |
| 4 | 10:29:09 | 8734 | 31.0 | 32.1 | 70.3 | 70.9 | 466.5 | 456.0 | 892 | 933 |
| 1 | 10:29:10 | 8716 | 31.1 | 32.1 | 70.3 | 70.9 | 465.8 | 455.3 | 901 | 938 |
| 2 | 10:29:11 | 8698 | 31.0 | 32.2 | 70.3 | 70.8 | 466.5 | 456.0 | 896 | 938 |

| S F | RELATIVE | Altitude | N1 | N1 | N2 | N2 | EGT | EGT | F.Flow | F.Flow |
|----------------|----------|----------|-------|-------|-------|-------|-------|-------|--------|--------|
| | TIME | | Eng.1 | Eng.2 | Eng.1 | Eng.2 | Eng.1 | Eng.2 | Eng.1 | Eng.2 |
| HH:MM:WN=19+58 | | WN=51 | WN=30 | WN=31 | WN=06 | WN=32 | WN=64 | WN=16 | WN=48 | |
| 3 | 10:29:12 | 8679 | 31.0 | 32.1 | 70.3 | 70.9 | 465.8 | 456.7 | 892 | 942 |
| 4 | 10:29:13 | 8661 | 31.0 | 32.2 | 70.3 | 70.9 | 465.8 | 456.0 | 892 | 928 |
| 1 | 10:29:14 | 8643 | 31.0 | 32.1 | 70.3 | 70.9 | 465.8 | 456.7 | 896 | 933 |
| 2 | 10:29:15 | 8625 | 31.0 | 32.1 | 70.3 | 71.1 | 466.5 | 456.0 | 896 | 938 |
| 3 | 10:29:16 | 8606 | 31.1 | 32.1 | 70.3 | 70.9 | 467.9 | 455.3 | 892 | 938 |
| 4 | 10:29:17 | 8589 | 31.0 | 32.1 | 70.2 | 70.9 | 465.1 | 457.4 | 896 | 933 |
| 1 | 10:29:18 | 8570 | 31.0 | 32.1 | 70.3 | 70.8 | 467.9 | 456.7 | 896 | 938 |
| 2 | 10:29:19 | 8552 | 31.0 | 32.1 | 70.3 | 70.8 | 465.8 | 457.4 | 901 | 938 |
| 3 | 10:29:20 | 8534 | 31.0 | 32.1 | 70.3 | 70.8 | 467.2 | 457.4 | 896 | 933 |
| 4 | 10:29:21 | 8516 | 31.1 | 32.1 | 70.3 | 70.8 | 467.9 | 456.7 | 901 | 938 |
| 1 | 10:29:22 | 8496 | 31.0 | 32.1 | 70.2 | 70.9 | 466.5 | 457.4 | 896 | 942 |
| 2 | 10:29:23 | 8477 | 31.0 | 32.1 | 70.3 | 70.9 | 467.9 | 457.4 | 901 | 938 |
| 3 | 10:29:24 | 8458 | 31.0 | 32.1 | 70.3 | 70.9 | 466.5 | 458.1 | 896 | 938 |
| 4 | 10:29:25 | 8440 | 31.0 | 32.1 | 70.3 | 70.9 | 468.6 | 457.4 | 896 | 942 |
| 1 | 10:29:26 | 8421 | 31.0 | 32.1 | 70.3 | 70.9 | 467.9 | 457.4 | 901 | 942 |
| 2 | 10:29:27 | 8400 | 31.0 | 32.1 | 70.3 | 70.9 | 469.3 | 457.4 | 901 | 942 |
| 3 | 10:29:28 | 8381 | 31.0 | 32.1 | 70.3 | 70.9 | 467.9 | 457.4 | 901 | 951 |
| 4 | 10:29:29 | 8363 | 31.1 | 32.1 | 70.3 | 71.0 | 467.9 | 458.1 | 901 | 938 |
| 1 | 10:29:30 | 8343 | 31.0 | 32.1 | 70.3 | 70.9 | 467.9 | 458.1 | 901 | 947 |
| 2 | 10:29:31 | 8324 | 31.0 | 32.1 | 70.4 | 70.8 | 467.9 | 458.1 | 906 | 947 |
| 3 | 10:29:32 | 8303 | 31.0 | 32.1 | 70.4 | 70.9 | 468.6 | 458.8 | 906 | 942 |
| 4 | 10:29:33 | 8284 | 31.0 | 32.1 | 70.4 | 70.9 | 467.2 | 458.8 | 910 | 942 |
| 1 | 10:29:34 | 8263 | 31.0 | 32.1 | 70.3 | 70.9 | 470.0 | 458.8 | 906 | 951 |
| 2 | 10:29:35 | 8242 | 31.0 | 32.0 | 70.3 | 70.9 | 467.2 | 458.8 | 906 | 951 |
| 3 | 10:29:36 | 8220 | 31.0 | 32.0 | 70.4 | 70.9 | 470.0 | 458.1 | 906 | 951 |
| 4 | 10:29:37 | 8199 | 31.0 | 32.0 | 70.4 | 70.9 | 469.3 | 458.8 | 906 | 951 |
| 1 | 10:29:38 | 8177 | 30.9 | 32.1 | 70.3 | 71.0 | 469.3 | 458.8 | 906 | 947 |
| 2 | 10:29:39 | 8155 | 30.9 | 32.1 | 70.4 | 70.9 | 470.0 | 458.8 | 906 | 947 |
| 3 | 10:29:40 | 8134 | 30.9 | 32.1 | 70.4 | 70.8 | 469.3 | 458.8 | 915 | 947 |
| 4 | 10:29:41 | 8110 | 30.9 | 32.0 | 70.4 | 70.7 | 470.0 | 460.2 | 915 | 951 |
| 1 | 10:29:42 | 8088 | 30.9 | 32.0 | 70.4 | 70.9 | 473.6 | 462.3 | 924 | 965 |
| 2 | 10:29:43 | 8065 | 30.8 | 32.0 | 70.4 | 70.9 | 473.6 | 464.4 | 933 | 965 |
| 3 | 10:29:44 | 8045 | 30.8 | 32.0 | 70.3 | 70.9 | 476.4 | 465.1 | 933 | 965 |
| 4 | 10:29:45 | 8025 | 30.8 | 32.0 | 70.3 | 70.8 | 477.9 | 465.8 | 938 | 974 |
| 1 | 10:29:46 | 8005 | 30.8 | 31.9 | 70.4 | 70.8 | 476.4 | 466.5 | 938 | 970 |
| 2 | 10:29:47 | 7986 | 30.8 | 32.0 | 70.4 | 70.9 | 477.9 | 467.2 | 942 | 965 |
| 3 | 10:29:48 | 7968 | 30.8 | 31.9 | 70.4 | 70.8 | 480.7 | 467.2 | 942 | 965 |
| 4 | 10:29:49 | 7950 | 30.8 | 32.0 | 70.4 | 71.0 | 479.3 | 467.2 | 933 | 974 |
| 1 | 10:29:50 | 7931 | 30.8 | 32.0 | 70.4 | 70.9 | 477.2 | 467.9 | 933 | 970 |
| 2 | 10:29:51 | 7912 | 30.8 | 31.9 | 70.4 | 70.9 | 479.3 | 469.3 | 938 | 974 |
| 3 | 10:29:52 | 7892 | 30.8 | 31.9 | 70.3 | 70.8 | 479.3 | 469.3 | 933 | 974 |
| 4 | 10:29:53 | 7873 | 30.8 | 31.9 | 70.4 | 70.9 | 481.4 | 469.3 | 938 | 979 |
| 1 | 10:29:54 | 7854 | 30.8 | 31.9 | 70.4 | 70.9 | 479.3 | 470.0 | 938 | 979 |
| 2 | 10:29:55 | 7834 | 30.8 | 32.0 | 70.3 | 70.9 | 481.4 | 470.0 | 938 | 974 |
| 3 | 10:29:56 | 7814 | 30.8 | 32.0 | 70.3 | 71.0 | 481.4 | 470.0 | 938 | 979 |
| 4 | 10:29:57 | 7796 | 30.8 | 31.9 | 70.4 | 71.0 | 480.0 | 470.0 | 938 | 979 |
| 1 | 10:29:58 | 7778 | 30.8 | 31.9 | 70.3 | 71.0 | 482.2 | 470.0 | 938 | 979 |
| 2 | 10:29:59 | 7760 | 30.9 | 32.0 | 70.4 | 70.9 | 482.2 | 471.5 | 942 | 974 |
| 3 | 10:30:00 | 7742 | 30.8 | 32.0 | 70.4 | 70.8 | 482.2 | 471.5 | 933 | 979 |
| 4 | 10:30:01 | 7723 | 30.8 | 31.9 | 70.4 | 70.8 | 481.4 | 471.5 | 942 | 979 |
| 1 | 10:30:02 | 7706 | 30.8 | 32.0 | 70.4 | 70.9 | 481.4 | 470.8 | 942 | 984 |
| 2 | 10:30:03 | 7689 | 30.8 | 31.9 | 70.4 | 70.9 | 482.2 | 472.2 | 938 | 984 |
| 3 | 10:30:04 | 7672 | 30.8 | 31.9 | 70.4 | 70.9 | 482.2 | 471.5 | 942 | 988 |
| 4 | 10:30:05 | 7655 | 30.8 | 32.0 | 70.4 | 70.9 | 483.6 | 472.2 | 942 | 984 |

| S | RELATIVE | N1 | N1 | N2 | N2 | EGT | EGT | F.Flow | F.Flow | |
|---|----------------|-------|-------|-------|-------|-------|-------|--------|--------|------|
| | TIMEAltitude | Eng.1 | Eng.2 | Eng.1 | Eng.2 | Eng.1 | Eng.2 | Eng.1 | Eng.2 | |
| F | HH:MM:WN=19+58 | WN=51 | WN=30 | WN=31 | WN=06 | WN=32 | WN=64 | WN=16 | WN=48 | |
| 1 | 10:30:06 | 7637 | 30.8 | 32.0 | 70.4 | 70.9 | 482.9 | 472.2 | 947 | 988 |
| 2 | 10:30:07 | 7621 | 30.7 | 32.0 | 70.4 | 71.0 | 482.9 | 472.2 | 942 | 984 |
| 3 | 10:30:08 | 7604 | 30.8 | 31.9 | 70.4 | 70.9 | 482.9 | 473.6 | 947 | 984 |
| 4 | 10:30:09 | 7587 | 30.8 | 31.9 | 70.4 | 70.9 | 484.3 | 473.6 | 947 | 988 |
| 1 | 10:30:10 | 7569 | 30.8 | 32.0 | 70.4 | 70.9 | 483.6 | 472.9 | 947 | 984 |
| 2 | 10:30:11 | 7552 | 30.8 | 32.0 | 70.4 | 70.9 | 482.9 | 473.6 | 947 | 988 |
| 3 | 10:30:12 | 7534 | 30.8 | 32.0 | 70.4 | 71.0 | 485.0 | 472.9 | 942 | 984 |
| 4 | 10:30:13 | 7516 | 30.8 | 32.0 | 70.4 | 71.0 | 483.6 | 473.6 | 947 | 997 |
| 1 | 10:30:14 | 7496 | 30.8 | 32.0 | 70.4 | 71.0 | 484.3 | 472.9 | 942 | 984 |
| 2 | 10:30:15 | 7479 | 30.8 | 31.9 | 70.4 | 71.0 | 484.3 | 474.3 | 947 | 988 |
| 3 | 10:30:16 | 7463 | 30.8 | 31.9 | 70.4 | 70.9 | 484.3 | 475.0 | 956 | 984 |
| 4 | 10:30:17 | 7445 | 30.7 | 31.9 | 70.4 | 70.9 | 484.3 | 475.0 | 951 | 988 |
| 1 | 10:30:18 | 7430 | 30.7 | 31.9 | 70.4 | 70.9 | 486.5 | 474.3 | 951 | 993 |
| 2 | 10:30:19 | 7414 | 30.6 | 31.9 | 70.4 | 71.1 | 486.5 | 475.0 | 956 | 993 |
| 3 | 10:30:20 | 7399 | 30.7 | 31.9 | 70.4 | 71.0 | 486.5 | 475.7 | 947 | 984 |
| 4 | 10:30:21 | 7384 | 30.6 | 31.9 | 70.4 | 71.0 | 487.9 | 475.0 | 951 | 993 |
| 1 | 10:30:22 | 7371 | 30.7 | 31.9 | 70.4 | 71.0 | 486.5 | 475.7 | 951 | 988 |
| 2 | 10:30:23 | 7357 | 30.7 | 31.9 | 70.4 | 70.9 | 486.5 | 475.0 | 956 | 993 |
| 3 | 10:30:24 | 7345 | 30.6 | 31.8 | 70.4 | 71.0 | 487.2 | 475.7 | 947 | 993 |
| 4 | 10:30:25 | 7332 | 30.7 | 31.8 | 70.5 | 71.0 | 487.9 | 475.7 | 951 | 997 |
| 1 | 10:30:26 | 7319 | 30.7 | 31.9 | 70.5 | 71.0 | 487.2 | 476.4 | 961 | 997 |
| 2 | 10:30:27 | 7308 | 30.7 | 31.9 | 70.4 | 70.9 | 486.5 | 476.4 | 956 | 988 |
| 3 | 10:30:28 | 7295 | 30.7 | 31.9 | 70.5 | 70.9 | 486.5 | 476.4 | 961 | 997 |
| 4 | 10:30:29 | 7284 | 30.7 | 31.9 | 70.4 | 70.9 | 487.2 | 476.4 | 961 | 993 |
| 1 | 10:30:30 | 7271 | 30.7 | 31.8 | 70.4 | 71.0 | 487.2 | 476.4 | 965 | 997 |
| 2 | 10:30:31 | 7257 | 30.7 | 31.8 | 70.4 | 70.9 | 487.9 | 477.2 | 965 | 997 |
| 3 | 10:30:32 | 7242 | 30.7 | 31.8 | 70.4 | 71.0 | 489.4 | 476.4 | 961 | 997 |
| 4 | 10:30:33 | 7227 | 30.7 | 31.9 | 70.4 | 71.0 | 489.4 | 476.4 | 961 | 993 |
| 1 | 10:30:34 | 7213 | 30.7 | 31.8 | 70.4 | 70.9 | 488.6 | 477.2 | 956 | 1002 |
| 2 | 10:30:35 | 7198 | 30.6 | 31.8 | 70.4 | 70.9 | 488.6 | 477.2 | 965 | 1007 |
| 3 | 10:30:36 | 7183 | 30.6 | 31.8 | 70.4 | 71.0 | 490.8 | 477.9 | 965 | 1002 |
| 4 | 10:30:37 | 7168 | 30.7 | 31.8 | 70.5 | 71.0 | 490.1 | 477.2 | 965 | 997 |
| 1 | 10:30:38 | 7155 | 30.7 | 31.8 | 70.4 | 71.0 | 490.8 | 477.2 | 970 | 1002 |
| 2 | 10:30:39 | 7141 | 30.6 | 31.8 | 70.4 | 71.1 | 489.4 | 477.2 | 961 | 997 |
| 3 | 10:30:40 | 7127 | 30.6 | 31.8 | 70.4 | 71.1 | 490.1 | 477.2 | 965 | 1011 |
| 4 | 10:30:41 | 7113 | 30.7 | 31.8 | 70.5 | 71.1 | 489.4 | 477.2 | 961 | 1002 |
| 1 | 10:30:42 | 7100 | 30.6 | 31.8 | 70.4 | 71.1 | 489.4 | 477.9 | 961 | 1002 |
| 2 | 10:30:43 | 7085 | 30.6 | 31.8 | 70.4 | 71.1 | 489.4 | 478.6 | 961 | 993 |
| 3 | 10:30:44 | 7072 | 30.6 | 31.8 | 70.4 | 71.0 | 489.4 | 477.2 | 961 | 1002 |
| 4 | 10:30:45 | 7058 | 30.6 | 31.7 | 70.4 | 71.0 | 489.4 | 477.9 | 961 | 1011 |
| 1 | 10:30:46 | 7044 | 30.7 | 31.8 | 70.4 | 71.0 | 489.4 | 477.9 | 965 | 1002 |
| 2 | 10:30:47 | 7029 | 30.6 | 31.8 | 70.4 | 71.0 | 490.1 | 477.2 | 965 | 1002 |
| 3 | 10:30:48 | 7014 | 30.6 | 31.7 | 70.4 | 70.9 | 490.1 | 477.2 | 965 | 1002 |
| 4 | 10:30:49 | 6999 | 30.6 | 31.7 | 70.4 | 70.9 | 490.1 | 477.2 | 961 | 1002 |
| 1 | 10:30:50 | 6982 | 30.5 | 31.7 | 70.4 | 70.9 | 489.4 | 477.2 | 965 | 1002 |
| 2 | 10:30:51 | 6966 | 30.5 | 31.7 | 70.4 | 71.0 | 487.9 | 477.2 | 961 | 997 |
| 3 | 10:30:52 | 6949 | 30.5 | 31.7 | 70.4 | 70.9 | 489.4 | 477.2 | 961 | 1002 |
| 4 | 10:30:53 | 6930 | 30.6 | 31.7 | 70.4 | 71.0 | 489.4 | 477.9 | 965 | 997 |
| 1 | 10:30:54 | 6912 | 30.5 | 31.7 | 70.4 | 70.9 | 490.8 | 477.2 | 970 | 1007 |
| 2 | 10:30:55 | 6893 | 30.5 | 31.7 | 70.4 | 70.9 | 489.4 | 477.9 | 965 | 1007 |
| 3 | 10:30:56 | 6871 | 30.5 | 31.7 | 70.4 | 70.9 | 490.8 | 477.9 | 965 | 1007 |
| 4 | 10:30:57 | 6851 | 30.5 | 31.7 | 70.4 | 70.8 | 488.6 | 477.9 | 965 | 1002 |
| 1 | 10:30:58 | 6829 | 30.5 | 31.6 | 70.4 | 70.9 | 489.4 | 478.6 | 970 | 1011 |
| 2 | 10:30:59 | 6807 | 30.4 | 31.6 | 70.4 | 70.9 | 489.4 | 477.9 | 970 | 1007 |

| RELATIVE | N1 | N1 | N2 | N2 | EGT | EGT | F.Flow | F.Flow | |
|------------------|-------|-------|-------|-------|-------|-------|--------|--------|------|
| S TIMEAltitude | Eng.1 | Eng.2 | Eng.1 | Eng.2 | Eng.1 | Eng.2 | Eng.1 | Eng.2 | |
| F HH:MM:WN=19+58 | WN=51 | WN=30 | WN=31 | WN=06 | WN=32 | WN=64 | WN=16 | WN=48 | |
| 3 10:31:00 | 6787 | 30.5 | 31.6 | 70.4 | 70.9 | 488.6 | 477.9 | 965 | 1007 |
| 4 10:31:01 | 6766 | 30.4 | 31.6 | 70.4 | 71.0 | 489.4 | 477.2 | 965 | 1011 |
| 1 10:31:02 | 6746 | 30.4 | 31.6 | 70.3 | 70.9 | 490.1 | 477.2 | 970 | 1007 |
| 2 10:31:03 | 6727 | 30.5 | 31.5 | 70.4 | 70.9 | 490.8 | 477.2 | 965 | 1002 |
| 3 10:31:04 | 6706 | 30.4 | 31.5 | 70.4 | 70.8 | 489.4 | 477.2 | 970 | 1011 |
| 4 10:31:05 | 6686 | 30.4 | 31.5 | 70.3 | 70.7 | 489.4 | 477.2 | 965 | 1007 |
| 1 10:31:06 | 6667 | 30.4 | 31.6 | 70.2 | 70.8 | 490.1 | 477.2 | 970 | 1011 |
| 2 10:31:07 | 6647 | 30.4 | 31.6 | 70.3 | 70.7 | 489.4 | 477.2 | 970 | 1007 |
| 3 10:31:08 | 6626 | 30.4 | 31.6 | 70.3 | 70.8 | 489.4 | 476.4 | 965 | 1002 |
| 4 10:31:09 | 6606 | 30.4 | 31.5 | 70.2 | 70.7 | 489.4 | 477.2 | 974 | 1007 |
| 1 10:31:10 | 6584 | 30.4 | 31.5 | 70.3 | 70.7 | 488.6 | 477.2 | 965 | 1002 |
| 2 10:31:11 | 6564 | 30.4 | 31.6 | 70.3 | 70.7 | 489.4 | 477.2 | 970 | 1007 |
| 3 10:31:12 | 6542 | 30.4 | 31.6 | 70.3 | 70.7 | 489.4 | 477.2 | 974 | 1020 |
| 4 10:31:13 | 6520 | 30.5 | 31.6 | 70.3 | 70.7 | 488.6 | 476.4 | 970 | 1020 |
| 1 10:31:14 | 6498 | 30.4 | 31.5 | 70.2 | 70.8 | 489.4 | 475.7 | 974 | 1016 |
| 2 10:31:15 | 6475 | 30.4 | 31.5 | 70.3 | 70.8 | 489.4 | 476.4 | 974 | 1020 |
| 3 10:31:16 | 6451 | 30.4 | 31.6 | 70.3 | 70.7 | 487.9 | 476.4 | 979 | 1016 |
| 4 10:31:17 | 6428 | 30.3 | 31.5 | 70.3 | 70.7 | 489.4 | 477.2 | 974 | 1011 |
| 1 10:31:18 | 6404 | 30.4 | 31.5 | 70.3 | 70.7 | 488.6 | 476.4 | 979 | 1016 |
| 2 10:31:19 | 6381 | 30.4 | 31.5 | 70.2 | 70.7 | 489.4 | 476.4 | 974 | 1020 |
| 3 10:31:20 | 6359 | 30.3 | 31.5 | 70.3 | 70.8 | 491.5 | 476.4 | 974 | 1011 |
| 4 10:31:21 | 6337 | 30.4 | 31.6 | 70.3 | 70.7 | 488.6 | 477.2 | 979 | 1020 |
| 1 10:31:22 | 6314 | 30.3 | 31.5 | 70.3 | 70.7 | 488.6 | 476.4 | 979 | 1025 |
| 2 10:31:23 | 6291 | 30.3 | 31.6 | 70.2 | 70.7 | 490.8 | 477.2 | 979 | 1020 |
| 3 10:31:24 | 6269 | 30.3 | 31.6 | 70.3 | 70.7 | 489.4 | 477.2 | 974 | 1020 |
| 4 10:31:25 | 6248 | 30.4 | 31.6 | 70.2 | 70.7 | 490.1 | 477.2 | 984 | 1020 |
| 1 10:31:26 | 6227 | 30.3 | 31.5 | 70.3 | 70.7 | 488.6 | 476.4 | 988 | 1025 |
| 2 10:31:27 | 6205 | 30.4 | 31.5 | 70.3 | 70.8 | 490.8 | 476.4 | 984 | 1025 |
| 3 10:31:28 | 6183 | 30.4 | 31.5 | 70.2 | 70.8 | 490.1 | 476.4 | 988 | 1020 |
| 4 10:31:29 | 6160 | 30.4 | 31.5 | 70.2 | 70.7 | 490.1 | 477.2 | 988 | 1020 |
| 1 10:31:30 | 6139 | 30.4 | 31.5 | 70.3 | 70.7 | 490.8 | 477.2 | 993 | 1020 |
| 2 10:31:31 | 6117 | 30.4 | 31.6 | 70.2 | 70.6 | 489.4 | 477.2 | 988 | 1025 |
| 3 10:31:32 | 6095 | 30.4 | 31.5 | 70.3 | 70.7 | 489.4 | 477.9 | 988 | 1025 |
| 4 10:31:33 | 6072 | 30.4 | 31.5 | 70.2 | 70.6 | 489.4 | 477.2 | 993 | 1030 |
| 1 10:31:34 | 6049 | 30.4 | 31.5 | 70.3 | 70.7 | 489.4 | 477.2 | 993 | 1025 |
| 2 10:31:35 | 6028 | 30.4 | 31.5 | 70.3 | 70.7 | 490.8 | 476.4 | 988 | 1025 |
| 3 10:31:36 | 6005 | 30.3 | 31.4 | 70.2 | 70.8 | 490.8 | 477.2 | 988 | 1030 |
| 4 10:31:37 | 5984 | 30.3 | 31.4 | 70.3 | 70.8 | 490.1 | 477.2 | 993 | 1020 |
| 1 10:31:38 | 5962 | 30.4 | 31.4 | 70.3 | 70.7 | 490.8 | 477.2 | 997 | 1025 |
| 2 10:31:39 | 5941 | 30.4 | 31.4 | 70.3 | 70.6 | 490.8 | 477.9 | 997 | 1034 |
| 3 10:31:40 | 5920 | 30.4 | 31.4 | 70.3 | 70.7 | 490.8 | 477.2 | 993 | 1025 |
| 4 10:31:41 | 5898 | 30.5 | 31.5 | 70.3 | 70.7 | 491.5 | 477.2 | 997 | 1034 |
| 1 10:31:42 | 5880 | 31.0 | 31.7 | 70.3 | 70.6 | 495.9 | 495.9 | 1002 | 1104 |
| 2 10:31:43 | 5863 | 33.2 | 34.7 | 72.2 | 71.5 | 526.1 | 531.4 | 1244 | 1410 |
| 3 10:31:44 | 5847 | 35.3 | 37.7 | 74.9 | 74.6 | 548.8 | 554.2 | 1433 | 1631 |
| 4 10:31:45 | 5835 | 38.0 | 42.8 | 77.7 | 77.9 | 565.0 | 563.4 | 1583 | 1887 |
| 1 10:31:46 | 5825 | 43.2 | 49.6 | 80.7 | 81.1 | 576.7 | 555.7 | 1778 | 2099 |
| 2 10:31:47 | 5819 | 48.7 | 55.8 | 82.5 | 83.0 | 562.7 | 547.3 | 1917 | 2346 |
| 3 10:31:48 | 5814 | 52.6 | 57.8 | 83.4 | 83.9 | 549.6 | 538.2 | 2058 | 2473 |
| 4 10:31:49 | 5811 | 56.2 | 58.0 | 84.7 | 84.3 | 548.8 | 533.6 | 2248 | 2510 |
| 1 10:31:50 | 5808 | 58.2 | 58.2 | 85.3 | 84.7 | 542.7 | 530.6 | 2404 | 2531 |
| 2 10:31:51 | 5806 | 59.4 | 59.2 | 85.7 | 85.0 | 542.7 | 532.1 | 2499 | 2579 |
| 3 10:31:52 | 5806 | 60.9 | 60.8 | 86.2 | 85.4 | 542.7 | 535.1 | 2595 | 2681 |
| 4 10:31:53 | 5806 | 62.0 | 62.2 | 86.7 | 85.8 | 545.0 | 538.9 | 2698 | 2779 |

| S | RELATIVE TIME | Altitude | N1 | | N2 | | EGT | | F.Flow | |
|---|----------------|----------|-------|-------|-------|-------|-------|-------|--------|-------|
| | | | Eng.1 | Eng.2 | Eng.1 | Eng.2 | Eng.1 | Eng.2 | Eng.1 | Eng.2 |
| F | HH:MM:WN=19+58 | | WN=51 | WN=30 | WN=31 | WN=06 | WN=32 | WN=64 | WN=16 | WN=48 |
| 1 | 10:31:54 | 5806 | 62.8 | 63.0 | 87.0 | 86.2 | 548.8 | 543.5 | 2779 | 2856 |
| 2 | 10:31:55 | 5808 | 63.3 | 63.6 | 87.2 | 86.4 | 551.1 | 546.5 | 2834 | 2906 |
| 3 | 10:31:56 | 5808 | 63.8 | 64.2 | 87.4 | 86.5 | 552.6 | 548.8 | 2890 | 2956 |
| 4 | 10:31:57 | 5808 | 64.1 | 64.5 | 87.5 | 86.8 | 555.7 | 551.9 | 2912 | 2990 |
| 1 | 10:31:58 | 5808 | 64.4 | 64.5 | 87.7 | 86.8 | 557.3 | 552.6 | 2956 | 3001 |
| 2 | 10:31:59 | 5808 | 65.1 | 64.7 | 87.9 | 87.0 | 558.8 | 555.7 | 2984 | 3024 |
| 3 | 10:32:00 | 5808 | 65.6 | 65.2 | 88.0 | 87.1 | 562.7 | 557.3 | 3035 | 3040 |
| 4 | 10:32:01 | 5809 | 65.9 | 65.4 | 88.1 | 87.3 | 565.8 | 558.8 | 3080 | 3069 |
| 1 | 10:32:02 | 5809 | 66.0 | 65.5 | 88.1 | 87.3 | 566.6 | 561.1 | 3097 | 3086 |
| 2 | 10:32:03 | 5811 | 66.1 | 65.6 | 88.2 | 87.3 | 568.9 | 562.7 | 3103 | 3091 |
| 3 | 10:32:04 | 5811 | 66.1 | 65.8 | 88.2 | 87.4 | 568.1 | 564.2 | 3108 | 3114 |
| 4 | 10:32:05 | 5812 | 66.1 | 66.0 | 88.2 | 87.5 | 568.9 | 565.8 | 3108 | 3108 |
| 1 | 10:32:06 | 5814 | 66.1 | 65.9 | 88.3 | 87.5 | 572.0 | 565.8 | 3108 | 3114 |
| 2 | 10:32:07 | 5815 | 66.2 | 65.9 | 88.3 | 87.6 | 572.8 | 566.6 | 3108 | 3114 |
| 3 | 10:32:08 | 5816 | 66.1 | 65.6 | 88.3 | 87.6 | 571.2 | 565.8 | 3114 | 3097 |
| 4 | 10:32:09 | 5816 | 66.1 | 65.0 | 88.3 | 87.5 | 572.0 | 565.0 | 3108 | 3052 |
| 1 | 10:32:10 | 5818 | 65.7 | 64.8 | 88.3 | 87.4 | 572.0 | 565.0 | 3074 | 3007 |
| 2 | 10:32:11 | 5818 | 65.4 | 64.6 | 88.1 | 87.3 | 572.0 | 564.2 | 3040 | 2984 |
| 3 | 10:32:12 | 5818 | 65.2 | 64.4 | 88.0 | 87.2 | 572.8 | 562.7 | 3018 | 2973 |
| 4 | 10:32:13 | 5816 | 65.0 | 64.3 | 88.0 | 87.3 | 570.4 | 562.7 | 2995 | 2951 |
| 1 | 10:32:14 | 5822 | 64.7 | 64.2 | 88.0 | 87.2 | 569.7 | 562.7 | 2973 | 2934 |
| 2 | 10:32:15 | 5827 | 64.4 | 64.1 | 87.8 | 87.2 | 565.0 | 563.4 | 2934 | 2923 |
| 3 | 10:32:16 | 5812 | 64.4 | 64.2 | 87.7 | 87.0 | 567.3 | 562.7 | 2923 | 2917 |
| 4 | 10:32:17 | 5790 | 64.1 | 63.9 | 87.7 | 87.1 | 568.1 | 562.7 | 2912 | 2906 |
| 1 | 10:32:18 | 5758 | 68.2 | 65.7 | 88.0 | 87.0 | 582.2 | 593.3 | 2923 | 3125 |
| 2 | 10:32:19 | 5719 | 75.4 | 74.5 | 90.6 | 88.6 | 618.3 | 604.6 | 3670 | 3749 |
| 3 | 10:32:20 | 5694 | 68.8 | 67.9 | 89.8 | 89.4 | 599.7 | 570.4 | 3834 | 3391 |
| 4 | 10:32:21 | 5646 | 56.0 | 54.1 | 86.7 | 87.0 | 554.9 | 538.2 | 3040 | 2483 |
| 1 | 10:32:22 | 5606 | 46.4 | 45.6 | 83.6 | 83.8 | 529.9 | 522.4 | 2150 | 1862 |
| 2 | 10:32:23 | 5573 | 40.7 | 40.8 | 81.2 | 81.4 | 517.9 | 511.2 | 1607 | 1481 |
| 3 | 10:32:24 | 5516 | 37.0 | 37.5 | 78.9 | 79.2 | 508.3 | 504.6 | 1282 | 1244 |
| 4 | 10:32:25 | 5495 | 34.4 | 34.9 | 76.9 | 77.3 | 501.7 | 501.0 | 1076 | 1085 |
| 1 | 10:32:26 | 5489 | 32.7 | 33.1 | 75.1 | 75.5 | 497.3 | 497.3 | 956 | 988 |
| 2 | 10:32:27 | 5228 | 31.3 | 31.8 | 73.2 | 74.0 | 493.0 | 493.0 | 878 | 938 |
| 3 | 10:32:28 | 5007 | 30.2 | 30.9 | 71.5 | 72.4 | 490.8 | 491.5 | 833 | 887 |
| 4 | 10:32:29 | 4889 | 30.0 | 30.3 | 70.6 | 71.1 | 495.1 | 501.0 | 837 | 906 |
| 1 | 10:32:30 | 4550 | 30.4 | 30.8 | 70.9 | 70.9 | 511.2 | 508.3 | 970 | 1016 |
| 2 | 10:32:31 | 4051 | 30.1 | 30.7 | 71.0 | 71.0 | 512.7 | 506.8 | 1002 | 1011 |
| 3 | 10:32:32 | 3913 | 30.5 | 30.6 | 70.9 | 70.8 | 512.7 | 512.7 | 988 | 1020 |
| 4 | 10:32:33 | 3492 | 30.8 | 31.2 | 71.2 | 70.9 | 521.6 | 515.7 | 1034 | 1095 |
| 1 | 10:32:34 | 2929 | 30.1 | 31.0 | 71.1 | 71.3 | 518.6 | 511.2 | 1053 | 1081 |
| 2 | 10:32:35 | 2972 | 30.6 | 31.4 | 70.8 | 71.2 | 517.2 | 518.6 | 1016 | 1122 |
| 3 | 10:32:36 | 2397 | 30.8 | 31.7 | 71.3 | 71.7 | 524.6 | 515.7 | 1104 | 1160 |
| 4 | 10:32:37 | 1880 | 30.0 | 31.5 | 71.0 | 71.8 | 515.7 | 514.9 | 1062 | 1136 |
| 1 | 10:32:38 | 1874 | 30.8 | 31.8 | 70.8 | 71.5 | 521.6 | 518.6 | 1067 | 1183 |
| 2 | 10:32:39 | 1188 | 30.7 | 31.9 | 71.4 | 71.9 | 526.8 | XXX.X | 1150 | 1197 |

| S | RELATIVE TIME | Vert Acc 1 | Vert Acc 2 | Vert Acc 3 | Vert Acc 4 | Vert Acc 5 | Vert Acc 6 | Vert Acc 7 | Vert Acc 8 | CCCont. PiPitch | Col. 2 |
|---|---------------|------------|------------|------------|------------|------------|------------|------------|------------|-----------------|--------|
| F | HH:MM:SS | WN=04 | WN=12 | WN=20 | WN=28 | WN=36 | WN=44 | WN=52 | WN=60 | WNWN=55 | |
| 3 | 10:27:24 | 0.939 | 0.939 | 0.941 | 0.946 | 0.944 | 0.941 | 0.946 | 0.946 | -0.5 | -0.6 |
| 4 | 10:27:25 | 0.951 | 0.953 | 0.948 | 0.953 | 0.958 | 0.958 | 0.963 | 0.963 | -0.6 | -0.7 |
| 1 | 10:27:26 | 0.967 | 0.970 | 0.970 | 0.972 | 0.977 | 0.972 | 0.975 | 0.972 | -0.6 | -0.5 |
| 2 | 10:27:27 | 0.970 | 0.965 | 0.958 | 0.956 | 0.951 | 0.948 | 0.946 | 0.939 | -0.5 | -0.4 |
| 3 | 10:27:28 | 0.939 | 0.936 | 0.934 | 0.934 | 0.929 | 0.929 | 0.929 | 0.927 | -0.4 | -0.4 |
| 4 | 10:27:29 | 0.924 | 0.924 | 0.927 | 0.924 | 0.922 | 0.917 | 0.924 | 0.922 | -0.4 | -0.4 |
| 1 | 10:27:30 | 0.920 | 0.920 | 0.915 | 0.920 | 0.920 | 0.917 | 0.920 | 0.922 | -0.4 | -0.5 |
| 2 | 10:27:31 | 0.922 | 0.922 | 0.920 | 0.922 | 0.924 | 0.920 | 0.927 | 0.924 | -0.5 | -0.6 |
| 3 | 10:27:32 | 0.924 | 0.927 | 0.927 | 0.924 | 0.924 | 0.932 | 0.934 | 0.932 | -0.6 | -0.7 |
| 4 | 10:27:33 | 0.934 | 0.939 | 0.936 | 0.939 | 0.939 | 0.939 | 0.941 | 0.946 | -0.7 | -0.8 |
| 1 | 10:27:34 | 0.944 | 0.946 | 0.948 | 0.951 | 0.956 | 0.956 | 0.956 | 0.951 | -0.8 | -0.9 |
| 2 | 10:27:35 | 0.956 | 0.958 | 0.958 | 0.965 | 0.956 | 0.958 | 0.965 | 0.975 | -0.9 | -0.9 |
| 3 | 10:27:36 | 0.967 | 0.970 | 0.967 | 0.975 | 0.972 | 0.972 | 0.975 | 0.977 | -0.8 | -0.7 |
| 4 | 10:27:37 | 0.979 | 0.982 | 0.984 | 0.979 | 0.979 | 0.984 | 0.977 | 0.977 | -0.6 | -0.6 |
| 1 | 10:27:38 | 0.977 | 0.979 | 0.979 | 0.975 | 0.975 | 0.977 | 0.977 | 0.972 | -0.5 | -0.4 |
| 2 | 10:27:39 | 0.972 | 0.975 | 0.965 | 0.970 | 0.970 | 0.970 | 0.967 | 0.967 | -0.4 | -0.4 |
| 3 | 10:27:40 | 0.967 | 0.967 | 0.967 | 0.967 | 0.965 | 0.963 | 0.965 | 0.963 | -0.4 | -0.3 |
| 4 | 10:27:41 | 0.958 | 0.958 | 0.956 | 0.956 | 0.956 | 0.951 | 0.948 | 0.946 | -0.3 | -0.3 |
| 1 | 10:27:42 | 0.946 | 0.944 | 0.941 | 0.946 | 0.941 | 0.941 | 0.939 | 0.939 | -0.2 | -0.2 |
| 2 | 10:27:43 | 0.939 | 0.934 | 0.934 | 0.934 | 0.932 | 0.932 | 0.934 | 0.934 | -0.2 | -0.2 |
| 3 | 10:27:44 | 0.929 | 0.932 | 0.929 | 0.927 | 0.927 | 0.924 | 0.929 | 0.927 | -0.2 | -0.1 |
| 4 | 10:27:45 | 0.929 | 0.929 | 0.927 | 0.932 | 0.924 | 0.927 | 0.924 | 0.929 | -0.1 | -0.2 |
| 1 | 10:27:46 | 0.934 | 0.929 | 0.927 | 0.924 | 0.920 | 0.922 | 0.917 | 0.920 | -0.2 | -0.3 |
| 2 | 10:27:47 | 0.920 | 0.917 | 0.922 | 0.922 | 0.922 | 0.924 | 0.924 | 0.927 | -0.2 | -0.2 |
| 3 | 10:27:48 | 0.932 | 0.929 | 0.929 | 0.936 | 0.932 | 0.929 | 0.932 | 0.932 | -0.3 | -0.3 |
| 4 | 10:27:49 | 0.932 | 0.929 | 0.932 | 0.934 | 0.934 | 0.936 | 0.939 | 0.941 | -0.3 | -0.3 |
| 1 | 10:27:50 | 0.941 | 0.941 | 0.946 | 0.944 | 0.946 | 0.946 | 0.946 | 0.948 | -0.4 | -0.4 |
| 2 | 10:27:51 | 0.951 | 0.953 | 0.948 | 0.956 | 0.958 | 0.956 | 0.956 | 0.963 | -0.4 | -0.5 |
| 3 | 10:27:52 | 0.958 | 0.965 | 0.965 | 0.967 | 0.970 | 0.972 | 0.977 | 0.975 | -0.5 | -0.5 |
| 4 | 10:27:53 | 0.975 | 0.982 | 0.977 | 0.979 | 0.982 | 0.984 | 0.982 | 0.982 | -0.6 | -0.6 |
| 1 | 10:27:54 | 0.987 | 0.989 | 0.989 | 0.994 | 0.996 | 0.996 | 0.994 | 0.994 | -0.6 | -0.6 |
| 2 | 10:27:55 | 0.994 | 0.999 | 1.001 | 1.003 | 1.001 | 0.996 | 1.001 | 0.999 | -0.6 | -0.6 |
| 3 | 10:27:56 | 1.001 | 0.999 | 1.003 | 1.001 | 1.003 | 1.003 | 1.001 | 1.003 | -0.6 | -0.6 |
| 4 | 10:27:57 | 1.001 | 1.001 | 1.001 | 1.006 | 1.001 | 1.003 | 1.003 | 1.001 | -0.5 | -0.5 |
| 1 | 10:27:58 | 1.001 | 1.001 | 0.999 | 0.999 | 1.001 | 0.999 | 0.996 | 0.996 | -0.5 | -0.5 |
| 2 | 10:27:59 | 0.996 | 0.999 | 0.996 | 0.989 | 0.996 | 0.994 | 0.987 | 0.989 | -0.5 | -0.4 |
| 3 | 10:28:00 | 0.987 | 0.984 | 0.987 | 0.984 | 0.984 | 0.977 | 0.982 | 0.982 | -0.4 | -0.4 |
| 4 | 10:28:01 | 0.977 | 0.979 | 0.979 | 0.979 | 0.975 | 0.975 | 0.979 | 0.979 | -0.4 | -0.4 |
| 1 | 10:28:02 | 0.979 | 0.979 | 0.979 | 0.982 | 0.979 | 0.979 | 0.977 | 0.975 | -0.3 | -0.3 |
| 2 | 10:28:03 | 0.975 | 0.972 | 0.972 | 0.972 | 0.972 | 0.967 | 0.965 | 0.965 | -0.3 | -0.3 |
| 3 | 10:28:04 | 0.965 | 0.963 | 0.965 | 0.965 | 0.963 | 0.963 | 0.965 | 0.963 | -0.3 | -0.3 |
| 4 | 10:28:05 | 0.963 | 0.960 | 0.958 | 0.960 | 0.958 | 0.953 | 0.958 | 0.958 | -0.3 | -0.3 |
| 1 | 10:28:06 | 0.958 | 0.958 | 0.956 | 0.956 | 0.956 | 0.951 | 0.951 | 0.953 | -0.3 | -0.3 |
| 2 | 10:28:07 | 0.953 | 0.951 | 0.956 | 0.953 | 0.956 | 0.953 | 0.958 | 0.956 | -0.3 | -0.3 |
| 3 | 10:28:08 | 0.953 | 0.960 | 0.958 | 0.958 | 0.958 | 0.958 | 0.958 | 0.960 | -0.3 | -0.3 |
| 4 | 10:28:09 | 0.958 | 0.958 | 0.958 | 0.956 | 0.958 | 0.963 | 0.960 | 0.958 | -0.3 | -0.3 |
| 1 | 10:28:10 | 0.958 | 0.963 | 0.960 | 0.960 | 0.960 | 0.960 | 0.960 | 0.960 | -0.3 | -0.4 |
| 2 | 10:28:11 | 0.963 | 0.963 | 0.963 | 0.963 | 0.965 | 0.963 | 0.963 | 0.965 | -0.4 | -0.4 |
| 3 | 10:28:12 | 0.965 | 0.970 | 0.967 | 0.963 | 0.967 | 0.970 | 0.967 | 0.967 | -0.4 | -0.4 |
| 4 | 10:28:13 | 0.967 | 0.970 | 0.972 | 0.967 | 0.972 | 0.972 | 0.972 | 0.972 | -0.4 | -0.4 |
| 1 | 10:28:14 | 0.975 | 0.972 | 0.975 | 0.977 | 0.975 | 0.979 | 0.977 | 0.979 | -0.4 | -0.4 |
| 2 | 10:28:15 | 0.977 | 0.979 | 0.977 | 0.982 | 0.982 | 0.979 | 0.979 | 0.984 | -0.4 | -0.4 |
| 3 | 10:28:16 | 0.984 | 0.984 | 0.982 | 0.982 | 0.982 | 0.982 | 0.982 | 0.982 | -0.5 | -0.5 |
| 4 | 10:28:17 | 0.984 | 0.982 | 0.984 | 0.987 | 0.984 | 0.982 | 0.984 | 0.987 | -0.5 | -0.5 |

| S | RELATIVE TIME F HH:MM:SS | Vert Acc 1 WN=04 | Vert Acc 2 WN=12 | Vert Acc 3 WN=20 | Vert Acc 4 WN=28 | Vert Acc 5 WN=36 | Vert Acc 6 WN=44 | Vert Acc 7 WN=52 | Vert Acc 8 WN=60 | CCCont. PiPitch WNWN=55 | Col. 2 |
|---|-----------------------------|------------------------|------------------------|------------------------|------------------------|------------------------|------------------------|------------------------|------------------------|-------------------------------|-----------|
| 1 | 10:28:18 | 0.984 | 0.982 | 0.984 | 0.984 | 0.984 | 0.991 | 0.987 | 0.989 | -0.5 | -0.5 |
| 2 | 10:28:19 | 0.989 | 0.994 | 0.989 | 0.991 | 0.987 | 0.991 | 0.989 | 0.989 | -0.4 | -0.4 |
| 3 | 10:28:20 | 0.989 | 0.989 | 0.984 | 0.987 | 0.984 | 0.982 | 0.984 | 0.989 | -0.4 | -0.4 |
| 4 | 10:28:21 | 0.982 | 0.984 | 0.982 | 0.984 | 0.984 | 0.984 | 0.984 | 0.984 | -0.4 | -0.4 |
| 1 | 10:28:22 | 0.984 | 0.984 | 0.984 | 0.982 | 0.979 | 0.982 | 0.979 | 0.982 | -0.4 | -0.4 |
| 2 | 10:28:23 | 0.982 | 0.984 | 0.982 | 0.984 | 0.982 | 0.984 | 0.982 | 0.979 | -0.4 | -0.4 |
| 3 | 10:28:24 | 0.977 | 0.982 | 0.979 | 0.977 | 0.982 | 0.979 | 0.977 | 0.977 | -0.4 | -0.4 |
| 4 | 10:28:25 | 0.977 | 0.979 | 0.977 | 0.982 | 0.982 | 0.987 | 0.984 | 0.984 | -0.4 | -0.4 |
| 1 | 10:28:26 | 0.984 | 0.994 | 0.989 | 0.987 | 0.987 | 0.989 | 0.989 | 0.989 | -0.4 | -0.4 |
| 2 | 10:28:27 | 0.989 | 0.984 | 0.984 | 0.984 | 0.987 | 0.989 | 0.989 | 0.991 | -0.4 | -0.4 |
| 3 | 10:28:28 | 0.994 | 0.991 | 0.994 | 0.991 | 0.996 | 0.996 | 0.994 | 0.999 | -0.4 | -0.4 |
| 4 | 10:28:29 | 0.999 | 0.994 | 0.999 | 0.999 | 0.996 | 0.999 | 1.003 | 0.999 | -0.4 | -0.4 |
| 1 | 10:28:30 | 0.999 | 1.001 | 0.996 | 1.003 | 1.001 | 1.001 | 1.003 | 1.001 | -0.4 | -0.4 |
| 2 | 10:28:31 | 1.001 | 1.001 | 1.001 | 1.001 | 1.001 | 1.001 | 1.003 | 1.001 | -0.4 | -0.4 |
| 3 | 10:28:32 | 0.999 | 1.001 | 0.996 | 0.996 | 0.999 | 0.996 | 0.996 | 0.999 | -0.3 | -0.3 |
| 4 | 10:28:33 | 1.003 | 0.996 | 0.999 | 0.994 | 0.996 | 0.994 | 0.989 | 0.989 | -0.3 | -0.3 |
| 1 | 10:28:34 | 0.989 | 0.987 | 0.987 | 0.984 | 0.987 | 0.987 | 0.982 | 0.984 | -0.3 | -0.2 |
| 2 | 10:28:35 | 0.984 | 0.984 | 0.982 | 0.982 | 0.977 | 0.979 | 0.977 | 0.975 | -0.2 | -0.1 |
| 3 | 10:28:36 | 0.972 | 0.970 | 0.972 | 0.967 | 0.970 | 0.970 | 0.967 | 0.967 | -0.1 | -0.1 |
| 4 | 10:28:37 | 0.967 | 0.963 | 0.967 | 0.963 | 0.965 | 0.963 | 0.963 | 0.960 | -0.1 | -0.1 |
| 1 | 10:28:38 | 0.960 | 0.963 | 0.960 | 0.965 | 0.963 | 0.965 | 0.965 | 0.963 | -0.1 | -0.2 |
| 2 | 10:28:39 | 0.963 | 0.965 | 0.963 | 0.965 | 0.965 | 0.967 | 0.965 | 0.963 | -0.3 | -0.3 |
| 3 | 10:28:40 | 0.963 | 0.958 | 0.965 | 0.960 | 0.958 | 0.953 | 0.956 | 0.956 | -0.4 | -0.4 |
| 4 | 10:28:41 | 0.960 | 0.960 | 0.958 | 0.958 | 0.960 | 0.963 | 0.960 | 0.965 | -0.4 | -0.5 |
| 1 | 10:28:42 | 0.965 | 0.965 | 0.967 | 0.963 | 0.970 | 0.970 | 0.967 | 0.967 | -0.5 | -0.5 |
| 2 | 10:28:43 | 0.965 | 0.965 | 0.965 | 0.970 | 0.965 | 0.967 | 0.970 | 0.967 | -0.5 | -0.5 |
| 3 | 10:28:44 | 0.970 | 0.970 | 0.967 | 0.975 | 0.972 | 0.972 | 0.970 | 0.970 | -0.5 | -0.5 |
| 4 | 10:28:45 | 0.972 | 0.970 | 0.972 | 0.972 | 0.972 | 0.970 | 0.972 | 0.975 | -0.5 | -0.5 |
| 1 | 10:28:46 | 0.972 | 0.972 | 0.970 | 0.975 | 0.977 | 0.975 | 0.975 | 0.977 | -0.5 | -0.5 |
| 2 | 10:28:47 | 0.975 | 0.977 | 0.977 | 0.975 | 0.977 | 0.972 | 0.977 | 0.975 | -0.6 | -0.6 |
| 3 | 10:28:48 | 0.975 | 0.975 | 0.977 | 0.979 | 0.975 | 0.977 | 0.975 | 0.979 | -0.6 | -0.6 |
| 4 | 10:28:49 | 0.979 | 0.982 | 0.979 | 0.975 | 0.977 | 0.972 | 0.977 | 0.977 | -0.6 | -0.6 |
| 1 | 10:28:50 | 0.975 | 0.979 | 0.979 | 0.977 | 0.975 | 0.975 | 0.972 | 0.972 | -0.6 | -0.6 |
| 2 | 10:28:51 | 0.977 | 0.977 | 0.975 | 0.977 | 0.975 | 0.977 | 0.977 | 0.977 | -0.6 | -0.6 |
| 3 | 10:28:52 | 0.979 | 0.977 | 0.982 | 0.979 | 0.982 | 0.979 | 0.982 | 0.977 | -0.6 | -0.6 |
| 4 | 10:28:53 | 0.979 | 0.979 | 0.982 | 0.979 | 0.984 | 0.977 | 0.979 | 0.982 | -0.6 | -0.6 |
| 1 | 10:28:54 | 0.979 | 0.979 | 0.977 | 0.977 | 0.982 | 0.979 | 0.982 | 0.982 | -0.6 | -0.6 |
| 2 | 10:28:55 | 0.979 | 0.982 | 0.982 | 0.982 | 0.984 | 0.982 | 0.984 | 0.984 | -0.6 | -0.6 |
| 3 | 10:28:56 | 0.982 | 0.984 | 0.984 | 0.984 | 0.987 | 0.984 | 0.987 | 0.984 | -0.6 | -0.6 |
| 4 | 10:28:57 | 0.984 | 0.984 | 0.982 | 0.979 | 0.977 | 0.975 | 0.979 | 0.979 | -0.6 | -0.6 |
| 1 | 10:28:58 | 0.979 | 0.977 | 0.979 | 0.979 | 0.977 | 0.979 | 0.977 | 0.977 | -0.6 | -0.6 |
| 2 | 10:28:59 | 0.977 | 0.975 | 0.977 | 0.979 | 0.975 | 0.975 | 0.975 | 0.972 | -0.5 | -0.5 |
| 3 | 10:29:00 | 0.972 | 0.972 | 0.967 | 0.967 | 0.970 | 0.970 | 0.967 | 0.967 | -0.5 | -0.5 |
| 4 | 10:29:01 | 0.965 | 0.965 | 0.963 | 0.963 | 0.965 | 0.967 | 0.965 | 0.963 | -0.5 | -0.5 |
| 1 | 10:29:02 | 0.963 | 0.963 | 0.963 | 0.965 | 0.963 | 0.963 | 0.963 | 0.963 | -0.5 | -0.5 |
| 2 | 10:29:03 | 0.958 | 0.965 | 0.960 | 0.960 | 0.963 | 0.960 | 0.965 | 0.960 | -0.5 | -0.5 |
| 3 | 10:29:04 | 0.963 | 0.967 | 0.963 | 0.963 | 0.965 | 0.963 | 0.963 | 0.965 | -0.5 | -0.6 |
| 4 | 10:29:05 | 0.963 | 0.965 | 0.965 | 0.965 | 0.965 | 0.965 | 0.965 | 0.970 | -0.6 | -0.6 |
| 1 | 10:29:06 | 0.970 | 0.972 | 0.970 | 0.970 | 0.972 | 0.970 | 0.972 | 0.972 | -0.6 | -0.6 |
| 2 | 10:29:07 | 0.967 | 0.970 | 0.972 | 0.970 | 0.970 | 0.975 | 0.972 | 0.972 | -0.6 | -0.6 |
| 3 | 10:29:08 | 0.970 | 0.972 | 0.972 | 0.972 | 0.972 | 0.972 | 0.967 | 0.975 | -0.6 | -0.6 |
| 4 | 10:29:09 | 0.972 | 0.967 | 0.970 | 0.970 | 0.972 | 0.975 | 0.970 | 0.972 | -0.6 | -0.6 |
| 1 | 10:29:10 | 0.975 | 0.977 | 0.972 | 0.972 | 0.972 | 0.975 | 0.975 | 0.975 | -0.6 | -0.6 |
| 2 | 10:29:11 | 0.977 | 0.977 | 0.977 | 0.977 | 0.975 | 0.977 | 0.975 | 0.975 | -0.6 | -0.6 |

| S | RELATIVE TIME | Vert Acc 1 | Vert Acc 2 | Vert Acc 3 | Vert Acc 4 | Vert Acc 5 | Vert Acc 6 | Vert Acc 7 | Vert Acc 8 | CCCont. PiPitch | Col. 2 |
|---|---------------|------------|------------|------------|------------|------------|------------|------------|------------|-----------------|--------|
| F | HH:MM:SS | WN=04 | WN=12 | WN=20 | WN=28 | WN=36 | WN=44 | WN=52 | WN=60 | WNWN-55 | |
| 3 | 10:29:12 | 0.977 | 0.979 | 0.975 | 0.972 | 0.972 | 0.975 | 0.977 | 0.977 | -0.6 | -0.6 |
| 4 | 10:29:13 | 0.972 | 0.975 | 0.975 | 0.977 | 0.977 | 0.977 | 0.975 | 0.972 | -0.6 | -0.6 |
| 1 | 10:29:14 | 0.975 | 0.975 | 0.975 | 0.975 | 0.970 | 0.975 | 0.970 | 0.972 | -0.6 | -0.6 |
| 2 | 10:29:15 | 0.970 | 0.972 | 0.972 | 0.972 | 0.970 | 0.970 | 0.972 | 0.977 | -0.6 | -0.6 |
| 3 | 10:29:16 | 0.972 | 0.975 | 0.975 | 0.975 | 0.972 | 0.972 | 0.972 | 0.975 | -0.6 | -0.6 |
| 4 | 10:29:17 | 0.975 | 0.970 | 0.970 | 0.975 | 0.972 | 0.972 | 0.972 | 0.970 | -0.6 | -0.6 |
| 1 | 10:29:18 | 0.970 | 0.970 | 0.970 | 0.970 | 0.970 | 0.970 | 0.970 | 0.967 | -0.6 | -0.6 |
| 2 | 10:29:19 | 0.970 | 0.970 | 0.970 | 0.967 | 0.972 | 0.970 | 0.972 | 0.970 | -0.6 | -0.6 |
| 3 | 10:29:20 | 0.967 | 0.970 | 0.970 | 0.972 | 0.970 | 0.970 | 0.970 | 0.972 | -0.6 | -0.6 |
| 4 | 10:29:21 | 0.970 | 0.972 | 0.970 | 0.975 | 0.972 | 0.972 | 0.972 | 0.975 | -0.6 | -0.6 |
| 1 | 10:29:22 | 0.972 | 0.970 | 0.970 | 0.970 | 0.970 | 0.975 | 0.972 | 0.972 | -0.6 | -0.6 |
| 2 | 10:29:23 | 0.975 | 0.975 | 0.972 | 0.967 | 0.970 | 0.965 | 0.970 | 0.963 | -0.6 | -0.6 |
| 3 | 10:29:24 | 0.967 | 0.965 | 0.965 | 0.965 | 0.965 | 0.963 | 0.965 | 0.965 | -0.6 | -0.6 |
| 4 | 10:29:25 | 0.965 | 0.963 | 0.970 | 0.965 | 0.965 | 0.965 | 0.965 | 0.970 | -0.6 | -0.6 |
| 1 | 10:29:26 | 0.970 | 0.967 | 0.967 | 0.967 | 0.970 | 0.965 | 0.970 | 0.967 | -0.6 | -0.6 |
| 2 | 10:29:27 | 0.965 | 0.963 | 0.963 | 0.967 | 0.970 | 0.970 | 0.970 | 0.967 | -0.6 | -0.6 |
| 3 | 10:29:28 | 0.970 | 0.975 | 0.975 | 0.975 | 0.975 | 0.975 | 0.970 | 0.972 | -0.6 | -0.6 |
| 4 | 10:29:29 | 0.970 | 0.972 | 0.972 | 0.972 | 0.972 | 0.967 | 0.967 | 0.967 | -0.6 | -0.6 |
| 1 | 10:29:30 | 0.967 | 0.965 | 0.965 | 0.965 | 0.967 | 0.970 | 0.967 | 0.967 | -0.6 | -0.6 |
| 2 | 10:29:31 | 0.967 | 0.970 | 0.965 | 0.967 | 0.965 | 0.967 | 0.965 | 0.967 | -0.6 | -0.6 |
| 3 | 10:29:32 | 0.960 | 0.965 | 0.965 | 0.960 | 0.958 | 0.963 | 0.958 | 0.965 | -0.6 | -0.6 |
| 4 | 10:29:33 | 0.963 | 0.960 | 0.960 | 0.960 | 0.963 | 0.963 | 0.963 | 0.965 | -0.6 | -0.6 |
| 1 | 10:29:34 | 0.965 | 0.963 | 0.963 | 0.963 | 0.965 | 0.965 | 0.967 | 0.965 | -0.6 | -0.6 |
| 2 | 10:29:35 | 0.967 | 0.970 | 0.970 | 0.970 | 0.965 | 0.975 | 0.970 | 0.970 | -0.6 | -0.6 |
| 3 | 10:29:36 | 0.970 | 0.970 | 0.967 | 0.972 | 0.970 | 0.967 | 0.970 | 0.970 | -0.7 | -0.7 |
| 4 | 10:29:37 | 0.967 | 0.970 | 0.970 | 0.970 | 0.975 | 0.975 | 0.970 | 0.970 | -0.6 | -0.6 |
| 1 | 10:29:38 | 0.967 | 0.970 | 0.965 | 0.963 | 0.965 | 0.963 | 0.967 | 0.965 | -0.7 | -0.7 |
| 2 | 10:29:39 | 0.963 | 0.965 | 0.965 | 0.965 | 0.967 | 0.967 | 0.975 | 0.970 | -0.8 | -0.9 |
| 3 | 10:29:40 | 0.970 | 0.970 | 0.975 | 0.977 | 0.984 | 0.987 | 0.991 | 0.991 | -0.9 | -0.9 |
| 4 | 10:29:41 | 0.999 | 1.003 | 1.003 | 1.003 | 1.003 | 1.006 | 1.006 | 1.008 | -1.0 | -1.1 |
| 1 | 10:29:42 | 1.011 | 1.013 | 1.018 | 1.023 | 1.030 | 1.034 | 1.039 | 1.044 | -1.0 | -0.9 |
| 2 | 10:29:43 | 1.051 | 1.051 | 1.061 | 1.061 | 1.061 | 1.063 | 1.058 | 1.056 | -0.6 | -0.5 |
| 3 | 10:29:44 | 1.058 | 1.054 | 1.049 | 1.054 | 1.054 | 1.046 | 1.049 | 1.044 | -0.5 | -0.4 |
| 4 | 10:29:45 | 1.039 | 1.042 | 1.039 | 1.034 | 1.034 | 1.037 | 1.032 | 1.025 | -0.4 | -0.4 |
| 1 | 10:29:46 | 1.020 | 1.023 | 1.023 | 1.018 | 1.013 | 1.015 | 1.018 | 1.015 | -0.4 | -0.4 |
| 2 | 10:29:47 | 1.013 | 1.011 | 1.008 | 1.011 | 1.008 | 1.008 | 1.011 | 1.006 | -0.3 | -0.2 |
| 3 | 10:29:48 | 1.011 | 1.006 | 1.003 | 1.003 | 0.999 | 0.996 | 0.999 | 0.996 | -0.2 | -0.2 |
| 4 | 10:29:49 | 0.991 | 0.989 | 0.987 | 0.984 | 0.982 | 0.977 | 0.977 | 0.979 | -0.3 | -0.3 |
| 1 | 10:29:50 | 0.977 | 0.975 | 0.975 | 0.975 | 0.977 | 0.977 | 0.979 | 0.977 | -0.3 | -0.3 |
| 2 | 10:29:51 | 0.979 | 0.984 | 0.984 | 0.984 | 0.982 | 0.984 | 0.982 | 0.984 | -0.3 | -0.4 |
| 3 | 10:29:52 | 0.987 | 0.984 | 0.987 | 0.989 | 0.994 | 0.991 | 0.994 | 0.996 | -0.4 | -0.4 |
| 4 | 10:29:53 | 0.996 | 0.999 | 0.996 | 1.008 | 0.996 | 0.994 | 0.989 | 0.994 | -0.5 | -0.7 |
| 1 | 10:29:54 | 0.989 | 0.989 | 0.987 | 0.989 | 0.987 | 0.984 | 0.984 | 0.982 | -0.7 | -0.7 |
| 2 | 10:29:55 | 0.984 | 0.984 | 0.984 | 0.984 | 0.982 | 0.984 | 0.982 | 0.977 | -0.6 | -0.6 |
| 3 | 10:29:56 | 0.982 | 0.982 | 0.982 | 0.982 | 0.984 | 0.984 | 0.984 | 0.984 | -0.6 | -0.6 |
| 4 | 10:29:57 | 0.982 | 0.982 | 0.982 | 0.984 | 0.982 | 0.982 | 0.984 | 0.982 | -0.6 | -0.6 |
| 1 | 10:29:58 | 0.984 | 0.979 | 0.982 | 0.979 | 0.977 | 0.979 | 0.977 | 0.975 | -0.6 | -0.6 |
| 2 | 10:29:59 | 0.975 | 0.975 | 0.979 | 0.975 | 0.975 | 0.979 | 0.979 | 0.977 | -0.7 | -0.7 |
| 3 | 10:30:00 | 0.982 | 0.977 | 0.977 | 0.979 | 0.982 | 0.979 | 0.979 | 0.977 | -0.7 | -0.7 |
| 4 | 10:30:01 | 0.979 | 0.977 | 0.977 | 0.977 | 0.975 | 0.977 | 0.982 | 0.979 | -0.7 | -0.7 |
| 1 | 10:30:02 | 0.977 | 0.979 | 0.979 | 0.979 | 0.977 | 0.977 | 0.977 | 0.977 | -0.7 | -0.7 |
| 2 | 10:30:03 | 0.982 | 0.977 | 0.977 | 0.977 | 0.982 | 0.984 | 0.982 | 0.977 | -0.8 | -0.8 |
| 3 | 10:30:04 | 0.979 | 0.977 | 0.977 | 0.979 | 0.979 | 0.979 | 0.982 | 0.979 | -0.8 | -0.8 |
| 4 | 10:30:05 | 0.977 | 0.979 | 0.979 | 0.979 | 0.979 | 0.982 | 0.982 | 0.979 | -0.8 | -0.8 |

| S | RELATIVE TIME | Vert Acc 1 | Vert Acc 2 | Vert Acc 3 | Vert Acc 4 | Vert Acc 5 | Vert Acc 6 | Vert Acc 7 | Vert Acc 8 | CCCont. PiPitch | Col. 2 |
|---|---------------|------------|------------|------------|------------|------------|------------|------------|------------|-----------------|--------|
| F | HH:MM:SS | WN=04 | WN=12 | WN=20 | WN=28 | WN=36 | WN=44 | WN=52 | WN=60 | WNWN=55 | |
| 1 | 10:30:06 | 0.977 | 0.979 | 0.979 | 0.977 | 0.972 | 0.972 | 0.970 | 0.970 | -0.8 | -0.7 |
| 2 | 10:30:07 | 0.967 | 0.963 | 0.963 | 0.965 | 0.958 | 0.958 | 0.960 | 0.960 | -0.6 | -0.5 |
| 3 | 10:30:08 | 0.958 | 0.960 | 0.963 | 0.965 | 0.965 | 0.965 | 0.970 | 0.967 | -0.5 | -0.5 |
| 4 | 10:30:09 | 0.970 | 0.967 | 0.967 | 0.972 | 0.970 | 0.967 | 0.970 | 0.970 | -0.5 | -0.5 |
| 1 | 10:30:10 | 0.967 | 0.970 | 0.967 | 0.965 | 0.965 | 0.970 | 0.963 | 0.967 | -0.5 | -0.5 |
| 2 | 10:30:11 | 0.970 | 0.965 | 0.967 | 0.967 | 0.970 | 0.970 | 0.965 | 0.970 | -0.6 | -0.6 |
| 3 | 10:30:12 | 0.970 | 0.972 | 0.972 | 0.970 | 0.975 | 0.977 | 0.972 | 0.975 | -0.6 | -0.6 |
| 4 | 10:30:13 | 0.977 | 0.975 | 0.975 | 0.977 | 0.979 | 0.977 | 0.977 | 0.979 | -0.6 | -0.7 |
| 1 | 10:30:14 | 0.982 | 0.979 | 0.979 | 0.984 | 0.982 | 0.984 | 0.982 | 0.987 | -0.7 | -0.7 |
| 2 | 10:30:15 | 0.987 | 0.984 | 0.987 | 0.987 | 0.989 | 0.987 | 0.989 | 0.989 | -0.7 | -0.8 |
| 3 | 10:30:16 | 0.987 | 0.989 | 0.989 | 0.984 | 0.987 | 0.989 | 0.987 | 0.991 | -0.8 | -0.8 |
| 4 | 10:30:17 | 0.987 | 0.991 | 0.991 | 0.987 | 0.989 | 0.987 | 0.991 | 0.987 | -0.8 | -0.8 |
| 1 | 10:30:18 | 0.989 | 0.989 | 0.989 | 0.991 | 0.994 | 0.989 | 0.991 | 0.994 | -0.8 | -0.8 |
| 2 | 10:30:19 | 0.989 | 0.991 | 0.989 | 0.989 | 0.989 | 0.991 | 0.989 | 0.987 | -0.8 | -0.8 |
| 3 | 10:30:20 | 0.991 | 0.987 | 0.987 | 0.989 | 0.991 | 0.989 | 0.989 | 0.989 | -0.8 | -0.8 |
| 4 | 10:30:21 | 0.991 | 0.989 | 0.989 | 0.989 | 0.989 | 0.989 | 0.987 | 0.987 | -0.8 | -0.8 |
| 1 | 10:30:22 | 0.989 | 0.982 | 0.982 | 0.982 | 0.982 | 0.982 | 0.979 | 0.984 | -0.8 | -0.8 |
| 2 | 10:30:23 | 0.984 | 0.984 | 0.984 | 0.989 | 0.994 | 0.989 | 0.991 | 0.994 | -0.8 | -0.8 |
| 3 | 10:30:24 | 0.994 | 0.996 | 0.994 | 0.994 | 0.989 | 0.991 | 0.994 | 0.991 | -0.8 | -0.8 |
| 4 | 10:30:25 | 0.989 | 0.984 | 0.987 | 0.984 | 0.982 | 0.979 | 0.979 | 0.977 | -0.8 | -0.8 |
| 1 | 10:30:26 | 0.975 | 0.975 | 0.972 | 0.972 | 0.977 | 0.977 | 0.979 | 0.977 | -0.8 | -0.8 |
| 2 | 10:30:27 | 0.977 | 0.975 | 0.977 | 0.977 | 0.972 | 0.975 | 0.972 | 0.965 | -0.8 | -0.8 |
| 3 | 10:30:28 | 0.965 | 0.965 | 0.965 | 0.963 | 0.963 | 0.965 | 0.965 | 0.960 | -0.8 | -0.7 |
| 4 | 10:30:29 | 0.956 | 0.951 | 0.956 | 0.958 | 0.958 | 0.958 | 0.958 | 0.956 | -0.7 | -0.7 |
| 1 | 10:30:30 | 0.958 | 0.956 | 0.958 | 0.953 | 0.951 | 0.948 | 0.948 | 0.948 | -0.7 | -0.8 |
| 2 | 10:30:31 | 0.946 | 0.948 | 0.948 | 0.948 | 0.948 | 0.946 | 0.951 | 0.951 | -0.8 | -0.8 |
| 3 | 10:30:32 | 0.948 | 0.951 | 0.951 | 0.951 | 0.956 | 0.956 | 0.956 | 0.958 | -0.9 | -0.9 |
| 4 | 10:30:33 | 0.963 | 0.965 | 0.963 | 0.963 | 0.965 | 0.967 | 0.963 | 0.970 | -1.0 | -1.0 |
| 1 | 10:30:34 | 0.970 | 0.967 | 0.967 | 0.970 | 0.970 | 0.972 | 0.975 | 0.972 | -1.0 | -1.1 |
| 2 | 10:30:35 | 0.972 | 0.975 | 0.975 | 0.977 | 0.982 | 0.982 | 0.984 | 0.984 | -1.0 | -0.8 |
| 3 | 10:30:36 | 0.982 | 0.982 | 0.982 | 0.984 | 0.982 | 0.987 | 0.984 | 0.984 | -0.6 | -0.6 |
| 4 | 10:30:37 | 0.984 | 0.984 | 0.991 | 0.991 | 0.991 | 0.989 | 0.994 | 0.991 | -0.5 | -0.5 |
| 1 | 10:30:38 | 0.989 | 0.989 | 0.984 | 0.987 | 0.982 | 0.982 | 0.979 | 0.979 | -0.5 | -0.5 |
| 2 | 10:30:39 | 0.979 | 0.979 | 0.975 | 0.975 | 0.975 | 0.972 | 0.977 | 0.977 | -0.5 | -0.5 |
| 3 | 10:30:40 | 0.975 | 0.979 | 0.979 | 0.977 | 0.975 | 0.979 | 0.977 | 0.977 | -0.5 | -0.4 |
| 4 | 10:30:41 | 0.979 | 0.977 | 0.979 | 0.979 | 0.977 | 0.972 | 0.972 | 0.972 | -0.4 | -0.4 |
| 1 | 10:30:42 | 0.970 | 0.967 | 0.970 | 0.967 | 0.975 | 0.972 | 0.972 | 0.972 | -0.4 | -0.4 |
| 2 | 10:30:43 | 0.970 | 0.970 | 0.965 | 0.965 | 0.960 | 0.960 | 0.960 | 0.958 | -0.4 | -0.4 |
| 3 | 10:30:44 | 0.956 | 0.960 | 0.963 | 0.965 | 0.965 | 0.970 | 0.965 | 0.965 | -0.5 | -0.4 |
| 4 | 10:30:45 | 0.965 | 0.970 | 0.970 | 0.965 | 0.965 | 0.970 | 0.967 | 0.972 | -0.4 | -0.4 |
| 1 | 10:30:46 | 0.970 | 0.967 | 0.967 | 0.963 | 0.963 | 0.958 | 0.958 | 0.958 | -0.5 | -0.4 |
| 2 | 10:30:47 | 0.960 | 0.958 | 0.953 | 0.956 | 0.958 | 0.958 | 0.960 | 0.960 | -0.4 | -0.4 |
| 3 | 10:30:48 | 0.960 | 0.958 | 0.958 | 0.960 | 0.958 | 0.958 | 0.958 | 0.958 | -0.4 | -0.4 |
| 4 | 10:30:49 | 0.956 | 0.958 | 0.953 | 0.956 | 0.956 | 0.956 | 0.956 | 0.953 | -0.4 | -0.4 |
| 1 | 10:30:50 | 0.953 | 0.953 | 0.948 | 0.956 | 0.953 | 0.953 | 0.953 | 0.953 | -0.4 | -0.4 |
| 2 | 10:30:51 | 0.956 | 0.953 | 0.953 | 0.956 | 0.953 | 0.953 | 0.953 | 0.948 | -0.4 | -0.5 |
| 3 | 10:30:52 | 0.951 | 0.951 | 0.951 | 0.946 | 0.946 | 0.946 | 0.948 | 0.944 | -0.5 | -0.5 |
| 4 | 10:30:53 | 0.944 | 0.944 | 0.941 | 0.941 | 0.941 | 0.941 | 0.944 | 0.946 | -0.5 | -0.5 |
| 1 | 10:30:54 | 0.946 | 0.951 | 0.946 | 0.946 | 0.944 | 0.948 | 0.946 | 0.946 | -0.5 | -0.5 |
| 2 | 10:30:55 | 0.948 | 0.948 | 0.948 | 0.946 | 0.951 | 0.948 | 0.948 | 0.951 | -0.6 | -0.6 |
| 3 | 10:30:56 | 0.953 | 0.953 | 0.953 | 0.963 | 0.960 | 0.958 | 0.958 | 0.958 | -0.6 | -0.7 |
| 4 | 10:30:57 | 0.958 | 0.960 | 0.963 | 0.965 | 0.965 | 0.963 | 0.972 | 0.970 | -0.7 | -0.7 |
| 1 | 10:30:58 | 0.970 | 0.972 | 0.970 | 0.975 | 0.975 | 0.979 | 0.979 | 0.979 | -0.8 | -0.8 |
| 2 | 10:30:59 | 0.979 | 0.979 | 0.979 | 0.977 | 0.982 | 0.982 | 0.982 | 0.984 | -0.8 | -0.8 |

| S | RELATIVE TIME | Vert Acc 1 WN=04 | Vert Acc 2 WN=12 | Vert Acc 3 WN=20 | Vert Acc 4 WN=28 | Vert Acc 5 WN=36 | Vert Acc 6 WN=44 | Vert Acc 7 WN=52 | Vert Acc 8 WN=60 | CCCont. PiPitch WNWN=55 | Col. 2 |
|---|---------------|---------------------|---------------------|---------------------|---------------------|---------------------|---------------------|---------------------|---------------------|----------------------------|--------|
| 3 | 10:31:00 | 0.982 | 0.977 | 0.979 | 0.977 | 0.984 | 0.982 | 0.982 | 0.982 | -0.8 | -0.8 |
| 4 | 10:31:01 | 0.982 | 0.987 | 0.989 | 0.984 | 0.984 | 0.989 | 0.984 | 0.984 | -0.8 | -0.8 |
| 1 | 10:31:02 | 0.987 | 0.984 | 0.984 | 0.982 | 0.984 | 0.984 | 0.984 | 0.984 | -0.8 | -0.7 |
| 2 | 10:31:03 | 0.984 | 0.987 | 0.984 | 0.982 | 0.984 | 0.987 | 0.979 | 0.977 | -0.7 | -0.7 |
| 3 | 10:31:04 | 0.979 | 0.977 | 0.972 | 0.970 | 0.970 | 0.970 | 0.970 | 0.970 | -0.7 | -0.6 |
| 4 | 10:31:05 | 0.967 | 0.965 | 0.965 | 0.963 | 0.960 | 0.960 | 0.958 | 0.960 | -0.6 | -0.6 |
| 1 | 10:31:06 | 0.960 | 0.963 | 0.965 | 0.965 | 0.965 | 0.970 | 0.963 | 0.970 | -0.6 | -0.6 |
| 2 | 10:31:07 | 0.967 | 0.970 | 0.967 | 0.965 | 0.970 | 0.965 | 0.967 | 0.963 | -0.6 | -0.5 |
| 3 | 10:31:08 | 0.963 | 0.960 | 0.963 | 0.960 | 0.960 | 0.958 | 0.963 | 0.963 | -0.5 | -0.5 |
| 4 | 10:31:09 | 0.963 | 0.963 | 0.960 | 0.960 | 0.963 | 0.960 | 0.965 | 0.965 | -0.6 | -0.6 |
| 1 | 10:31:10 | 0.958 | 0.958 | 0.958 | 0.958 | 0.956 | 0.958 | 0.953 | 0.953 | -0.6 | -0.6 |
| 2 | 10:31:11 | 0.956 | 0.960 | 0.956 | 0.960 | 0.958 | 0.960 | 0.963 | 0.965 | -0.6 | -0.5 |
| 3 | 10:31:12 | 0.963 | 0.963 | 0.963 | 0.963 | 0.958 | 0.960 | 0.960 | 0.963 | -0.5 | -0.5 |
| 4 | 10:31:13 | 0.965 | 0.965 | 0.963 | 0.960 | 0.963 | 0.960 | 0.960 | 0.960 | -0.6 | -0.6 |
| 1 | 10:31:14 | 0.960 | 0.963 | 0.965 | 0.965 | 0.965 | 0.963 | 0.963 | 0.960 | -0.6 | -0.6 |
| 2 | 10:31:15 | 0.958 | 0.965 | 0.963 | 0.963 | 0.965 | 0.967 | 0.972 | 0.972 | -0.6 | -0.6 |
| 3 | 10:31:16 | 0.972 | 0.972 | 0.970 | 0.967 | 0.967 | 0.970 | 0.970 | 0.970 | -0.6 | -0.6 |
| 4 | 10:31:17 | 0.975 | 0.975 | 0.972 | 0.975 | 0.972 | 0.972 | 0.972 | 0.972 | -0.6 | -0.6 |
| 1 | 10:31:18 | 0.970 | 0.970 | 0.965 | 0.967 | 0.970 | 0.972 | 0.975 | 0.977 | -0.6 | -0.6 |
| 2 | 10:31:19 | 0.982 | 0.979 | 0.982 | 0.975 | 0.975 | 0.972 | 0.970 | 0.970 | -0.6 | -0.6 |
| 3 | 10:31:20 | 0.975 | 0.975 | 0.975 | 0.977 | 0.977 | 0.977 | 0.975 | 0.972 | -0.6 | -0.5 |
| 4 | 10:31:21 | 0.977 | 0.975 | 0.975 | 0.979 | 0.979 | 0.977 | 0.977 | 0.977 | -0.5 | -0.5 |
| 1 | 10:31:22 | 0.979 | 0.972 | 0.972 | 0.975 | 0.970 | 0.972 | 0.975 | 0.967 | -0.5 | -0.5 |
| 2 | 10:31:23 | 0.970 | 0.967 | 0.972 | 0.975 | 0.977 | 0.975 | 0.979 | 0.977 | -0.5 | -0.5 |
| 3 | 10:31:24 | 0.977 | 0.975 | 0.977 | 0.979 | 0.977 | 0.979 | 0.982 | 0.979 | -0.5 | -0.5 |
| 4 | 10:31:25 | 0.982 | 0.979 | 0.977 | 0.979 | 0.977 | 0.979 | 0.977 | 0.977 | -0.5 | -0.5 |
| 1 | 10:31:26 | 0.972 | 0.979 | 0.975 | 0.977 | 0.977 | 0.977 | 0.975 | 0.975 | -0.5 | -0.5 |
| 2 | 10:31:27 | 0.972 | 0.972 | 0.972 | 0.972 | 0.972 | 0.970 | 0.972 | 0.967 | -0.5 | -0.5 |
| 3 | 10:31:28 | 0.967 | 0.972 | 0.970 | 0.970 | 0.972 | 0.970 | 0.970 | 0.970 | -0.5 | -0.5 |
| 4 | 10:31:29 | 0.972 | 0.975 | 0.967 | 0.972 | 0.975 | 0.972 | 0.970 | 0.972 | -0.5 | -0.4 |
| 1 | 10:31:30 | 0.967 | 0.967 | 0.970 | 0.967 | 0.967 | 0.967 | 0.967 | 0.967 | -0.4 | -0.4 |
| 2 | 10:31:31 | 0.967 | 0.965 | 0.965 | 0.963 | 0.965 | 0.963 | 0.963 | 0.963 | -0.4 | -0.4 |
| 3 | 10:31:32 | 0.965 | 0.970 | 0.965 | 0.965 | 0.965 | 0.965 | 0.965 | 0.965 | -0.4 | -0.4 |
| 4 | 10:31:33 | 0.965 | 0.967 | 0.972 | 0.975 | 0.977 | 0.975 | 0.975 | 0.970 | -0.4 | -0.4 |
| 1 | 10:31:34 | 0.972 | 0.975 | 0.975 | 0.979 | 0.977 | 0.977 | 0.977 | 0.977 | -0.5 | -0.5 |
| 2 | 10:31:35 | 0.979 | 0.984 | 0.984 | 0.984 | 0.982 | 0.977 | 0.979 | 0.977 | -0.5 | -0.5 |
| 3 | 10:31:36 | 0.979 | 0.982 | 0.979 | 0.982 | 0.987 | 0.984 | 0.982 | 0.984 | -0.5 | -0.5 |
| 4 | 10:31:37 | 0.979 | 0.982 | 0.979 | 0.984 | 0.984 | 0.982 | 0.982 | 0.982 | -0.5 | -0.4 |
| 1 | 10:31:38 | 0.979 | 0.979 | 0.977 | 0.977 | 0.979 | 0.977 | 0.977 | 0.977 | -0.4 | -0.4 |
| 2 | 10:31:39 | 0.979 | 0.977 | 0.972 | 0.970 | 0.972 | 0.970 | 0.970 | 0.972 | -0.4 | -0.4 |
| 3 | 10:31:40 | 0.972 | 0.975 | 0.977 | 0.982 | 0.982 | 0.977 | 0.977 | 0.977 | -0.4 | -0.6 |
| 4 | 10:31:41 | 0.984 | 0.984 | 0.984 | 0.989 | 0.991 | 0.991 | 0.994 | 1.003 | -0.9 | -1.0 |
| 1 | 10:31:42 | 1.008 | 1.015 | 1.027 | 1.039 | 1.044 | 1.046 | 1.051 | 1.058 | -1.1 | -1.1 |
| 2 | 10:31:43 | 1.058 | 1.068 | 1.068 | 1.066 | 1.063 | 1.070 | 1.070 | 1.066 | -1.0 | -0.9 |
| 3 | 10:31:44 | 1.063 | 1.063 | 1.063 | 1.054 | 1.054 | 1.054 | 1.054 | 1.056 | -0.8 | -0.8 |
| 4 | 10:31:45 | 1.054 | 1.051 | 1.046 | 1.044 | 1.046 | 1.051 | 1.051 | 1.042 | -0.7 | -0.6 |
| 1 | 10:31:46 | 1.042 | 1.042 | 1.039 | 1.042 | 1.044 | 1.046 | 1.049 | 1.051 | -0.6 | -0.5 |
| 2 | 10:31:47 | 1.058 | 1.063 | 1.068 | 1.068 | 1.073 | 1.075 | 1.080 | 1.080 | -0.5 | -0.4 |
| 3 | 10:31:48 | 1.073 | 1.068 | 1.066 | 1.061 | 1.058 | 1.061 | 1.061 | 1.061 | -0.4 | -0.2 |
| 4 | 10:31:49 | 1.054 | 1.042 | 1.046 | 1.049 | 1.046 | 1.046 | 1.046 | 1.042 | -0.1 | -0.0 |
| 1 | 10:31:50 | 1.039 | 1.034 | 1.032 | 1.030 | 1.023 | 1.018 | 1.023 | 1.023 | 0.1 | 0.1 |
| 2 | 10:31:51 | 1.020 | 1.023 | 1.025 | 1.020 | 1.018 | 1.018 | 1.013 | 1.018 | 0.1 | -0.0 |
| 3 | 10:31:52 | 1.020 | 1.023 | 1.020 | 1.023 | 1.015 | 1.018 | 1.011 | 1.011 | -0.1 | -0.3 |
| 4 | 10:31:53 | 1.015 | 1.020 | 1.015 | 1.015 | 1.015 | 1.013 | 1.008 | 1.008 | -0.3 | -0.4 |

| S | RELATIVE TIME | Vert Acc 1 | Vert Acc 2 | Vert Acc 3 | Vert Acc 4 | Vert Acc 5 | Vert Acc 6 | Vert Acc 7 | Vert Acc 8 | CCCont. PiPitch | Col. 2 |
|---|---------------|------------|------------|------------|------------|------------|------------|------------|------------|-----------------|--------|
| F | HH:MM:SS | WN=04 | WN=12 | WN=20 | WN=28 | WN=36 | WN=44 | WN=52 | WN=60 | WNWN=55 | |
| 1 | 10:31:54 | 1.013 | 1.008 | 1.003 | 1.001 | 0.994 | 0.991 | 0.994 | 0.994 | -0.6 | -0.8 |
| 2 | 10:31:55 | 0.991 | 0.994 | 0.989 | 0.987 | 0.984 | 0.991 | 1.003 | 1.001 | -0.8 | -0.8 |
| 3 | 10:31:56 | 0.996 | 0.996 | 0.991 | 0.994 | 0.991 | 0.991 | 0.999 | 0.999 | -0.8 | -0.7 |
| 4 | 10:31:57 | 0.999 | 1.003 | 1.003 | 1.001 | 1.003 | 0.996 | 0.996 | 0.996 | -0.7 | -0.7 |
| 1 | 10:31:58 | 0.996 | 0.994 | 0.994 | 0.996 | 0.991 | 0.996 | 0.996 | 0.999 | -0.7 | -0.7 |
| 2 | 10:31:59 | 1.001 | 1.003 | 1.003 | 1.001 | 1.003 | 1.001 | 0.999 | 1.001 | -0.7 | -0.6 |
| 3 | 10:32:00 | 1.001 | 0.996 | 1.001 | 1.008 | 1.006 | 1.001 | 1.001 | 1.001 | -0.6 | -0.6 |
| 4 | 10:32:01 | 1.003 | 0.996 | 0.996 | 0.991 | 0.989 | 0.991 | 0.989 | 0.989 | -0.6 | -0.6 |
| 1 | 10:32:02 | 0.996 | 0.991 | 0.996 | 0.996 | 0.999 | 0.991 | 0.989 | 0.991 | -0.6 | -0.6 |
| 2 | 10:32:03 | 0.996 | 0.996 | 0.999 | 0.994 | 1.001 | 1.003 | 0.994 | 0.989 | -0.6 | -0.6 |
| 3 | 10:32:04 | 0.994 | 0.996 | 0.994 | 0.999 | 1.001 | 0.991 | 0.991 | 0.999 | -0.6 | -0.5 |
| 4 | 10:32:05 | 1.001 | 1.001 | 0.999 | 0.991 | 0.994 | 0.996 | 0.996 | 0.987 | -0.5 | -0.5 |
| 1 | 10:32:06 | 0.991 | 0.991 | 0.989 | 0.994 | 0.999 | 0.999 | 1.001 | 0.996 | -0.5 | -0.5 |
| 2 | 10:32:07 | 0.989 | 0.989 | 0.987 | 0.994 | 0.991 | 0.994 | 0.989 | 0.989 | -0.5 | -0.5 |
| 3 | 10:32:08 | 0.987 | 0.984 | 0.982 | 0.989 | 0.989 | 0.989 | 0.984 | 0.987 | -0.5 | -0.5 |
| 4 | 10:32:09 | 0.984 | 0.982 | 0.979 | 0.977 | 0.979 | 0.975 | 0.975 | 0.972 | -0.4 | -0.4 |
| 1 | 10:32:10 | 0.975 | 0.975 | 0.975 | 0.972 | 0.970 | 0.977 | 0.979 | 0.982 | -0.4 | -0.4 |
| 2 | 10:32:11 | 0.977 | 0.975 | 0.977 | 0.970 | 0.963 | 0.965 | 0.963 | 0.972 | -0.4 | -0.4 |
| 3 | 10:32:12 | 0.984 | 0.994 | 0.999 | 1.003 | 0.922 | 0.889 | 0.889 | 0.879 | -0.4 | -0.4 |
| 4 | 10:32:13 | 0.845 | 0.951 | 1.099 | 1.058 | 1.023 | 1.018 | 0.989 | 0.867 | -0.0 | -0.3 |
| 1 | 10:32:14 | 0.774 | 0.838 | 0.841 | 0.850 | 0.865 | 0.934 | 0.934 | 1.003 | -0.5 | -0.1 |
| 2 | 10:32:15 | 1.049 | 1.070 | 1.054 | 1.054 | 1.042 | 1.044 | 0.984 | 0.903 | 0.8 | 1.9 |
| 3 | 10:32:16 | 0.834 | 0.767 | 0.752 | 0.771 | 0.817 | 0.850 | 0.889 | 0.934 | 1.0 | 0.5 |
| 4 | 10:32:17 | 0.953 | 0.963 | 0.960 | 0.934 | 0.920 | 0.886 | 0.874 | 0.977 | -0.6 | -2.2 |
| 1 | 10:32:18 | 0.996 | 1.006 | 0.944 | 0.944 | 0.855 | 0.905 | 0.960 | 1.058 | -5.0 | -5.7 |
| 2 | 10:32:19 | 1.180 | 1.288 | 1.412 | 1.451 | 1.520 | 1.561 | 1.554 | 1.534 | -1.9 | -1.5 |
| 3 | 10:32:20 | 1.472 | 1.396 | 1.345 | 1.288 | 1.247 | 1.145 | 1.042 | 1.046 | -4.1 | -8.6 |
| 4 | 10:32:21 | 1.092 | 1.130 | 1.190 | 1.233 | 1.288 | 1.350 | 1.398 | 1.441 | -8.3 | -8.2 |
| 1 | 10:32:22 | 1.479 | 1.508 | 1.544 | 1.566 | 1.594 | 1.621 | 1.632 | 1.630 | -8.7 | -10.4 |
| 2 | 10:32:23 | 1.642 | 1.654 | 1.671 | 1.687 | 1.702 | 1.678 | 1.711 | 1.754 | -10.6 | -13.4 |
| 3 | 10:32:24 | 1.795 | 1.819 | 1.848 | 1.900 | 1.939 | 1.996 | 1.991 | 2.006 | -10.5 | -11.9 |
| 4 | 10:32:25 | 1.982 | 1.929 | 1.934 | 1.931 | 1.963 | 1.996 | 1.951 | 1.979 | -12.1 | -12.7 |
| 1 | 10:32:26 | 1.967 | 1.991 | 1.958 | 1.936 | 1.941 | 1.905 | 1.874 | 1.857 | -12.7 | -13.5 |
| 2 | 10:32:27 | 1.879 | 1.893 | 1.817 | 1.886 | 1.865 | 1.908 | 1.936 | 1.951 | -13.9 | -14.2 |
| 3 | 10:32:28 | 2.015 | 2.053 | 2.089 | 2.168 | 2.175 | 2.183 | 2.252 | 2.302 | -14.1 | -14.1 |
| 4 | 10:32:29 | 2.333 | 2.405 | 2.400 | 2.372 | 2.288 | 2.350 | 2.199 | 2.286 | -13.9 | -14.2 |
| 1 | 10:32:30 | 2.226 | 2.226 | 2.168 | 2.211 | 2.168 | 2.053 | 2.216 | 2.178 | -14.2 | -14.2 |
| 2 | 10:32:31 | 2.202 | 2.367 | 2.381 | 2.589 | 2.637 | 2.683 | 2.764 | 2.805 | -14.3 | -14.2 |
| 3 | 10:32:32 | 2.986 | 3.006 | 3.037 | 3.106 | 3.104 | 3.061 | 2.905 | 2.699 | -14.1 | -14.2 |
| 4 | 10:32:33 | 2.616 | 2.539 | 2.498 | 2.427 | 2.532 | 2.525 | 2.592 | 2.730 | -14.3 | -14.2 |
| 1 | 10:32:34 | 2.833 | 2.951 | 3.096 | 3.199 | 3.316 | 3.383 | 3.532 | 3.522 | -14.3 | -14.2 |
| 2 | 10:32:35 | 3.625 | 3.537 | 3.415 | 3.273 | 3.195 | 3.020 | 2.967 | 2.671 | -14.4 | -14.5 |
| 3 | 10:32:36 | 2.852 | 2.585 | 2.845 | 2.663 | 2.773 | 2.903 | 2.939 | 3.001 | -14.4 | -14.5 |
| 4 | 10:32:37 | 3.087 | 3.250 | 3.357 | 3.503 | 3.661 | 3.723 | 3.852 | 3.852 | -14.5 | -14.5 |
| 1 | 10:32:38 | 3.675 | 3.628 | 3.525 | 3.317 | 3.118 | 3.008 | 2.850 | 2.855 | -14.5 | -14.5 |
| 2 | 10:32:39 | 2.912 | 2.833 | 3.013 | 3.029 | 3.333 | 3.376 | 3.484 | 3.647 | -14.2 | -11.8 |

000051

| FRAME | 302 | CHIP | 11 | SEQ | 217 | PAGE | 2 | FRAME | TYPE | - | NORMAL | SYNC | LOSS |
|--------------|------|------|------|------|------|------|------|-------|------|------|--------|------|----------------|
| 0583 | 0000 | 0000 | 2897 | 3041 | 2302 | 0000 | 4095 | 3439 | 1145 | 3913 | 2877 | 3401 | 3363 0000 0368 |
| 0000 | 0011 | 0084 | 2834 | 2966 | 2306 | 3404 | 4095 | 0000 | 0000 | 0000 | 2747 | 3387 | 1100 2282 1170 |
| 0000 | 0000 | 0000 | 2664 | 2913 | 2309 | 0000 | 4095 | 0000 | 0000 | 0000 | 2618 | 3366 | 3200 0000 0393 |
| 0000 | 0000 | 1069 | 2552 | 2886 | 2314 | 3402 | 4095 | 3772 | 1535 | 0000 | 2554 | 3342 | 0000 0000 1166 |
| 1464 | 0000 | 0000 | 2578 | 2935 | 2315 | 0000 | 4095 | 3088 | 1272 | 3913 | 2545 | 3308 | 3270 0000 0386 |
| 0000 | 0006 | 0070 | 2620 | 2912 | 2318 | 3417 | 4095 | 0000 | 0000 | 0000 | 2627 | 3267 | 1102 2299 1177 |
| 0000 | 0000 | 0000 | 2754 | 3000 | 2318 | 0000 | 4095 | 0000 | 0000 | 0000 | 2772 | 3237 | 3621 0000 0396 |
| 0000 | 0000 | 1064 | 2817 | 3068 | 2318 | 3532 | 4095 | 3773 | 0949 | 0000 | 2885 | 0184 | 0000 0000 0161 |
| 2631 | 0000 | 0000 | 2631 | 2814 | 2064 | 0000 | 3841 | 2834 | 1018 | 3659 | 2465 | 0159 | 3622 0000 0387 |
| 0000 | 0006 | 0071 | 2466 | 2813 | 2059 | 3532 | 4095 | 0000 | 0000 | 0000 | 2466 | 0159 | 1102 2307 1177 |
| 0000 | 0000 | 0000 | 2468 | 2815 | 2059 | 0000 | 4095 | 0000 | 0000 | 0000 | 2469 | 0159 | 3621 0000 0396 |
| 0000 | 0000 | 1062 | 2470 | 2813 | 2057 | 3532 | 4095 | 3772 | 0949 | 0000 | 2472 | 0159 | 0000 0000 0161 |
| 3512 | 0000 | 0000 | 2471 | 2813 | 2057 | 0000 | 3839 | 2838 | 1021 | 3654 | 2471 | 0159 | 3621 0000 0387 |
| 0000 | 0006 | 0071 | 2470 | 2816 | 2058 | 3532 | 0002 | 0000 | 0000 | 0000 | 2470 | 0159 | 1103 2314 1174 |
| 0000 | 0000 | 0000 | 2466 | 2812 | 2048 | 0000 | 4095 | 0000 | 0000 | 0000 | 2467 | 0158 | 3622 0000 0396 |
| 0000 | 0000 | 1063 | 2467 | 2815 | 2053 | 3532 | 4095 | 3773 | 0953 | 0000 | 2469 | 0158 | 0000 0000 0161 |
| END OF STORE | | | | | | | | | | | | | |

1 sec.

ATTACHMENT V
(ORD-PIT Takeoff)

| | RELATIVE | | | | Pitch | Pitch | Pitch | Pitch | Roll | Roll |
|---|----------------|----------|--------|--------|-------|-------|-------|-------|-------|-------|
| S | TIME | Altitude | IAS | Head | Att 1 | Att 2 | Att 3 | Att 4 | Att 1 | Att 2 |
| F | HH:MM:WN=19+58 | WN=10 | WN=09 | WN=13 | WN=29 | WN=45 | WN=61 | WN=14 | WN=46 | |
| 3 | 09:38:48 | 584 | 45.26 | 319.97 | 0.79 | 0.79 | 0.79 | 0.74 | 0.45 | 0.28 |
| 4 | 09:38:49 | 584 | 45.26 | 320.19 | 0.74 | 0.79 | 0.74 | 0.74 | 0.34 | 0.39 |
| 1 | 09:38:50 | 585 | 45.26 | 319.19 | 0.74 | 0.74 | 0.74 | 0.74 | 0.34 | 0.39 |
| 2 | 09:38:51 | 585 | 45.26 | 318.30 | 0.79 | 0.79 | 0.85 | 0.79 | 0.39 | 0.39 |
| 3 | 09:38:52 | 587 | 49.50 | 318.64 | 0.79 | 0.79 | 0.79 | 0.79 | 0.39 | 0.39 |
| 4 | 09:38:53 | 587 | 52.22 | 319.08 | 0.79 | 0.85 | 0.85 | 0.91 | 0.34 | 0.34 |
| 1 | 09:38:54 | 587 | 59.24 | 319.19 | 0.85 | 0.85 | 0.85 | 0.85 | 0.28 | 0.39 |
| 2 | 09:38:55 | 587 | 63.73 | 319.08 | 0.85 | 0.85 | 0.85 | 0.85 | 0.28 | 0.39 |
| 3 | 09:38:56 | 588 | 67.48 | 319.30 | 0.85 | 0.85 | 0.97 | 0.91 | 0.39 | 0.34 |
| 4 | 09:38:57 | 588 | 71.50 | 319.08 | 0.97 | 0.91 | 0.91 | 0.91 | 0.45 | 0.51 |
| 1 | 09:38:58 | 587 | 75.61 | 318.64 | 0.91 | 0.91 | 0.97 | 0.97 | 0.57 | 0.51 |
| 2 | 09:38:59 | 587 | 80.36 | 318.52 | 0.97 | 0.97 | 0.97 | 0.97 | 0.51 | 0.57 |
| 3 | 09:39:00 | 587 | 85.15 | 318.75 | 0.97 | 0.91 | 0.85 | 0.91 | 0.57 | 0.68 |
| 4 | 09:39:01 | 587 | 87.03 | 318.52 | 0.91 | 0.97 | 1.03 | 1.03 | 0.62 | 0.85 |
| 1 | 09:39:02 | 588 | 89.90 | 317.74 | 1.03 | 1.03 | 1.03 | 1.08 | 0.68 | 0.45 |
| 2 | 09:39:03 | 590 | 94.27 | 318.30 | 1.14 | 1.14 | 1.14 | 1.14 | 0.62 | 0.22 |
| 3 | 09:39:04 | 588 | 98.37 | 319.53 | 1.14 | 1.14 | 1.08 | 1.08 | 0.39 | 0.39 |
| 4 | 09:39:05 | 588 | 102.68 | 319.64 | 1.14 | 1.08 | 1.08 | 1.03 | 0.57 | 0.62 |
| 1 | 09:39:06 | 592 | 106.69 | 318.41 | 1.08 | 1.08 | 1.14 | 1.14 | 0.68 | 0.68 |
| 2 | 09:39:07 | 592 | 110.72 | 317.97 | 1.14 | 1.14 | 1.14 | 1.14 | 0.79 | 0.68 |
| 3 | 09:39:08 | 588 | 115.30 | 318.41 | 1.08 | 1.08 | 1.08 | 1.14 | 0.68 | 0.68 |
| 4 | 09:39:09 | 592 | 117.84 | 318.75 | 1.14 | 1.20 | 1.20 | 1.20 | 0.57 | 0.57 |
| 1 | 09:39:10 | 593 | 124.00 | 318.52 | 1.20 | 1.26 | 1.26 | 1.26 | 0.39 | 0.51 |
| 2 | 09:39:11 | 590 | 127.28 | 319.19 | 1.32 | 1.38 | 1.38 | 1.32 | 0.45 | 0.34 |
| 3 | 09:39:12 | 590 | 132.10 | 319.53 | 1.32 | 1.38 | 1.32 | 1.38 | 0.34 | 0.39 |
| 4 | 09:39:13 | 592 | 136.71 | 319.30 | 1.38 | 1.38 | 1.38 | 1.55 | 0.51 | 0.51 |
| 1 | 09:39:14 | 590 | 138.05 | 318.75 | 1.91 | 2.45 | 2.88 | 3.25 | 0.68 | 0.74 |
| 2 | 09:39:15 | 584 | 140.76 | 318.41 | 3.75 | 4.27 | 4.65 | 5.11 | 0.68 | 0.79 |
| 3 | 09:39:16 | 584 | 143.84 | 318.52 | 5.64 | 6.12 | 6.59 | 7.15 | 0.91 | 0.62 |
| 4 | 09:39:17 | 582 | 146.98 | 318.75 | 7.71 | 8.35 | 8.86 | 9.45 | 1.14 | 1.55 |
| 1 | 09:39:18 | 588 | 147.93 | 319.19 | 9.97 | 10.50 | 10.96 | 11.35 | 2.45 | 2.82 |
| 2 | 09:39:19 | 596 | 151.47 | 319.30 | 11.82 | 12.29 | 12.61 | 12.93 | 1.79 | 0.28 |
| 3 | 09:39:20 | 615 | 155.56 | 319.19 | 13.33 | 13.82 | 14.23 | 14.73 | -1.03 | -1.20 |
| 4 | 09:39:21 | 641 | 158.05 | 319.30 | 15.24 | 15.83 | 16.35 | 16.87 | -0.91 | -0.17 |
| 1 | 09:39:22 | 671 | 160.04 | 319.30 | 17.30 | 17.57 | 17.74 | 17.83 | 0.91 | 0.74 |
| 2 | 09:39:23 | 705 | 158.71 | 318.97 | 18.01 | 18.10 | 18.19 | 18.28 | -0.22 | -0.74 |
| 3 | 09:39:24 | 737 | 158.71 | 318.86 | 18.28 | 18.19 | 1a.19 | 18.28 | -0.91 | -0.97 |
| 4 | 09:39:25 | 770 | 158.38 | 318.41 | 18.46 | 18.55 | 18.73 | 18.82 | -0.68 | -1.03 |
| 1 | 09:39:26 | 811 | 156.88 | 317.97 | 18.91 | 19.00 | 19.18 | 19.18 | -1.61 | -1.20 |
| 2 | 09:39:27 | 850 | 157.38 | 317.30 | 19.09 | 18.82 | 18.64 | 18.46 | -0.74 | -1.14 |
| 3 | 09:39:28 | 892 | 157.38 | 316.85 | 18.28 | 18.28 | 1a.19 | 18.10 | -1.38 | -0.51 |
| 4 | 09:39:29 | 933 | 156.55 | 317.07 | 18.10 | 18.01 | 1a.01 | 17.92 | 0.28 | -0.22 |
| 1 | 09:39:30 | 977 | 160.21 | 317.52 | 18.01 | 18.01 | 17.92 | 17.74 | 0.17 | 0.68 |
| 2 | 09:39:31 | 1022 | 156.39 | 317.97 | 17.74 | 17.57 | 17.57 | 17.66 | -0.22 | -0.79 |
| 3 | 09:39:32 | 1064 | 155.73 | 318.08 | 17.66 | 17.74 | 17.74 | 17.74 | -0.17 | 0.91 |
| 4 | 09:39:33 | 1106 | 155.73 | 318.19 | 17.74 | 17.74 | 17.74 | 17.66 | 1.61 | 1.55 |
| 1 | 09:39:34 | 1147 | 158.88 | 318.19 | 17.57 | 17.48 | 17.39 | 17.22 | 0.91 | 0.34 |
| 2 | 09:39:35 | 1189 | 161.38 | 318.52 | 17.13 | 17.13 | 17.04 | 17.04 | -0.17 | 0.11 |
| 3 | 09:39:36 | 1230 | 161.71 | 318.52 | 16.95 | 16.95 | 16.87 | 16.95 | 0.34 | -0.22 |
| 4 | 09:39:37 | 1270 | 161.38 | 318.30 | 16.95 | 17.04 | 17.22 | 17.39 | -0.45 | -0.62 |
| 1 | 09:39:38 | 1311 | 160.04 | 317.74 | 17.57 | 17.74 | 17.92 | 18.01 | -0.62 | -0.62 |
| 2 | 09:39:39 | 1352 | 160.54 | 317.30 | 18.10 | 18.19 | 18.19 | 18.19 | -0.79 | -0.79 |
| 3 | 09:39:40 | 1393 | 160.54 | 317.07 | 18.10 | 18.10 | 18.10 | 1a.10 | -0.85 | -1.14 |
| 4 | 09:39:41 | 1435 | 160.88 | 317.07 | 18.10 | 18.01 | 17.92 | 17.83 | -1.08 | -1.03 |

| | RELATIVE | Altitude | IAS | Head | Pitch | Pitch | Pitch | Pitch | Roll | Roll |
|---|----------------|----------|--------|--------|-------|-------|-------|-------|-------|-------|
| S | TIME | | | | Att 1 | Att 2 | Att 3 | Att 4 | Att 1 | Att 2 |
| F | HH:MM:WN=19+58 | WN=10 | WN=09 | WN=13 | WN=29 | WN=45 | WN=61 | WN=14 | WN=46 | |
| 1 | 09:39:42 | 1477 | 159.38 | 317.18 | 17.74 | 17.48 | 17.22 | 17.04 | -1.38 | -2.03 |
| 2 | 09:39:43 | 1519 | 157.71 | 316.96 | 16.78 | 16.43 | 16.17 | 15.83 | -2.45 | -2.33 |
| 3 | 09:39:44 | 1559 | 157.38 | 317.18 | 15.58 | 15.41 | 15.24 | 14.98 | -1.55 | -0.34 |
| 4 | 09:39:45 | 1591 | 157.05 | 316.96 | 14.82 | 14.65 | 14.57 | 14.40 | 0.79 | 1.26 |
| 1 | 09:39:46 | 1622 | 158.54 | 316.85 | 14.32 | 14.23 | 14.15 | 14.07 | 1.26 | 0.97 |
| 2 | 09:39:47 | 1650 | 158.71 | 316.74 | 14.07 | 14.07 | 14.07 | 13.99 | 0.57 | -0.11 |
| 3 | 09:39:48 | 1678 | 160.04 | 316.96 | 13.90 | 13.74 | 13.50 | 13.33 | -0.68 | -1.08 |
| 4 | 09:39:49 | 1703 | 159.38 | 317.41 | 13.09 | 12.93 | 12.61 | 12.53 | -1.32 | -1.55 |
| 1 | 09:39:50 | 1725 | 161.21 | 317.74 | 12.45 | 12.45 | 12.45 | 12.45 | -1.38 | -0.22 |
| 2 | 09:39:51 | 1746 | 164.90 | 318.08 | 12.45 | 12.53 | 12.53 | 12.53 | 1.43 | 3.38 |
| 3 | 09:39:52 | 1766 | 165.57 | 318.52 | 12.45 | 12.45 | 12.37 | 12.29 | 5.31 | 7.64 |
| 4 | 09:39:53 | 1783 | 167.25 | 318.97 | 12.21 | 12.21 | 12.21 | 12.29 | 9.90 | 11.90 |
| 1 | 09:39:54 | 1798 | 168.42 | 319.42 | 12.37 | 12.53 | 12.69 | 12.85 | 12.77 | 13.09 |
| 2 | 09:39:55 | 1820 | 169.94 | 320.86 | 13.01 | 13.17 | 13.33 | 13.50 | 12.93 | 12.77 |
| 3 | 09:39:56 | 1842 | 172.28 | 323.07 | 13.58 | 13.74 | 13.82 | 13.82 | 13.50 | 14.73 |
| 4 | 09:39:57 | 1865 | 173.79 | 325.25 | 13.82 | 13.90 | 13.90 | 14.07 | 15.75 | 16.78 |
| 1 | 09:39:58 | 1a88 | 176.79 | 327.40 | 14.15 | 14.15 | 14.15 | 14.07 | 17.39 | 17.57 |
| 2 | 09:39:59 | 1913 | 179.60 | 329.31 | 13.82 | 13.58 | 13.33 | 13.09 | 17.66 | 17.13 |
| 3 | 09:40:00 | 1941 | 180.26 | 331.19 | 12.93 | 12.85 | 12.77 | 12.77 | 16.17 | 14.98 |
| 4 | 09:40:01 | 1970 | 179.93 | 333.54 | 12.77 | 12.77 | 12.77 | 12.85 | 14.82 | 15.32 |
| 1 | 09:40:02 | 2001 | 179.77 | 335.72 | 12.93 | 13.01 | 13.09 | 13.09 | 15.92 | 16.52 |
| 2 | 09:40:03 | 2029 | 185.95 | 337.27 | 13.01 | 13.01 | 13.01 | 13.17 | 17.30 | 18.46 |
| 3 | 09:40:04 | 2062 | 185.79 | 338.51 | 13.33 | 13.50 | 13.74 | 13.90 | 18.37 | 1a.55 |
| 4 | 09:40:05 | 2094 | 184.17 | 339.54 | 13.90 | 13.90 | 13.82 | 13.82 | 18.28 | 17.92 |
| 1 | 09:40:06 | 2128 | 185.30 | 340.64 | 13.74 | 13.66 | 13.50 | 13.41 | 17.39 | 16.78 |
| 2 | 09:40:07 | 2163 | 186.59 | 342.34 | 13.33 | 13.25 | 13.17 | 13.09 | 16.87 | 17.39 |
| 3 | 09:40:08 | 2199 | 187.54 | 344.59 | 13.09 | 13.09 | 13.17 | 13.25 | 18.01 | 1a.37 |
| 4 | 09:40:09 | 2232 | 185.62 | 346.83 | 13.25 | 13.33 | 13.33 | 13.41 | 18.64 | 18.46 |
| 1 | 09:40:10 | 2271 | 185.14 | 349.04 | 13.41 | 13.33 | 13.33 | 13.33 | 1a.10 | 1a.37 |
| 2 | 09:40:11 | 2306 | 188.50 | 351.79 | 13.25 | 13.25 | 13.25 | 13.25 | 19.36 | 20.65 |
| 3 | 09:40:12 | 2340 | 189.60 | 353.68 | 13.33 | 13.33 | 13.41 | 13.41 | 20.84 | 20.37 |
| 4 | 09:40:13 | 2377 | 189.76 | 356.05 | 13.41 | 13.33 | 13.33 | 13.25 | 20.19 | 20.56 |
| 1 | 09:40:14 | 2411 | 188.34 | 358.39 | 13.33 | 13.25 | 13.25 | 13.17 | 20.65 | 20.37 |
| 2 | 09:40:15 | 2452 | 187.22 | 0.74 | 13.17 | 13.01 | 12.93 | 12.77 | 19.18 | 18.19 |
| 3 | 09:40:16 | 2489 | 190.07 | 3.25 | 12.69 | 12.69 | 12.77 | 12.93 | 1a.73 | 19.91 |
| 4 | 09:40:17 | 2531 | 193.17 | 5.44 | 13.09 | 13.17 | 13.33 | 13.41 | 20.65 | 21.40 |
| 1 | 09:40:18 | 2569 | 193.78 | 6.87 | 13.41 | 13.50 | 13.50 | 13.58 | 21.87 | 21.30 |
| 2 | 09:40:19 | 2608 | 193.17 | 8.07 | 13.58 | 13.58 | 13.58 | 13.41 | 19.63 | 17.83 |
| 3 | 09:40:20 | 2649 | 193.02 | 9.60 | 13.25 | 13.17 | 13.17 | 13.17 | 17.22 | 17.66 |
| 4 | 09:40:21 | 2690 | 191.78 | 10.73 | 13.25 | 13.41 | 13.50 | 13.58 | 18.01 | 17.39 |
| 1 | 09:40:22 | 2728 | 194.39 | 11.35 | 13.66 | 13.74 | 13.66 | 13.58 | 16.69 | 16.26 |
| 2 | 09:40:23 | 2769 | 195.00 | 12.53 | 13.50 | 13.41 | 13.41 | 13.25 | 16.17 | 15.83 |
| 3 | 09:40:24 | 2808 | 194.85 | 13.66 | 13.25 | 13.17 | 13.09 | 13.01 | 15.32 | 14.65 |
| 4 | 09:40:25 | 2845 | 194.55 | 14.73 | 12.93 | 12.93 | 12.85 | 12.77 | 13.74 | 12.53 |
| 1 | 09:40:26 | 2882 | 195.00 | 15.83 | 12.69 | 12.45 | 12.29 | 11.97 | 11.19 | 9.97 |
| 2 | 09:40:27 | 2915 | 197.10 | 17.30 | 11.66 | 11.27 | 10.89 | 10.58 | 8.64 | 8.43 |
| 3 | 09:40:28 | 2944 | 197.70 | 1a.37 | 10.35 | 10.20 | 9.97 | 9.75 | 8.57 | 8.00 |
| 4 | 09:40:29 | 2971 | 198.29 | 18.91 | 9.67 | 9.82 | 9.97 | 10.20 | 7.01 | 5.98 |
| 1 | 09:40:30 | 2995 | 199.90 | 19.36 | 10.35 | 10.43 | 10.43 | 10.43 | 5.18 | 4.59 |
| 2 | 09:40:31 | 3018 | 202.20 | 19.73 | 10.28 | 10.28 | 10.20 | 10.20 | 3.69 | 2.70 |
| 3 | 09:40:32 | 3039 | 202.76 | 19.73 | 10.28 | 10.28 | 10.35 | 10.43 | 1.85 | 1.03 |
| 4 | 09:40:33 | 3062 | 204.31 | 19.82 | 10.50 | 10.58 | 10.66 | 10.81 | 0.34 | 0.17 |
| 1 | 09:40:34 | 3087 | 207.58 | 19.82 | 10.96 | 11.12 | 11.27 | 11.43 | 0.34 | 0.22 |
| 2 | 09:40:35 | 3113 | 209.31 | 19.63 | 11.58 | 11.82 | 11.97 | 12.21 | 0.11 | 0.28 |

| S | RELATIVE TIME | Altitude | IAS | Head | Pitch Att 1 | Pitch Att 2 | Pitch Att 3 | Pitch Att 4 | Roll Att 1 | Roll Att 2 |
|---|----------------|----------|--------|-------|-------------|-------------|-------------|-------------|------------|------------|
| F | HH:MM:WN=19+58 | | WN=10 | WN=09 | WN=13 | WN=29 | WN=45 | WN=61 | WN=14 | WN=46 |
| 3 | 09:40:36 | 3143 | 209.57 | 19.82 | 12.37 | 12.45 | 12.61 | 12.61 | 0.34 | 1.20 |
| 4 | 09:40:37 | 3177 | 210.74 | 19.73 | 12.69 | 12.77 | 12.93 | 13.01 | 2.03 | 1.91 |
| 1 | 09:40:38 | 3216 | 209.18 | 19.63 | 13.09 | 13.17 | 13.17 | 13.25 | 0.62 | -0.39 |
| 2 | 09:40:39 | 3257 | 210.48 | 19.82 | 13.25 | 13.41 | 13.50 | 13.58 | -0.11 | 0.79 |
| 3 | 09:40:40 | 3299 | 211.00 | 19.91 | 13.74 | 13.82 | 14.07 | 14.23 | 1.43 | 1.14 |
| 4 | 09:40:41 | 3344 | 211.12 | 20.09 | 14.32 | 14.40 | 14.48 | 14.48 | -0.11 | -0.74 |
| 1 | 09:40:42 | 3394 | 209.96 | 20.46 | 14.48 | 14.57 | 14.65 | 14.82 | -1.03 | -0.91 |
| 2 | 09:40:43 | 3444 | 210.35 | 20.74 | 14.98 | 15.07 | 15.15 | 15.24 | -0.34 | 0.97 |
| 3 | 09:40:44 | 3495 | 209.44 | 20.65 | 15.24 | 15.15 | 14.98 | 14.82 | 1.79 | 1.26 |
| 4 | 09:40:45 | 3549 | 211.12 | 20.56 | 14.65 | 14.48 | 14.32 | 14.07 | 0.91 | 1.67 |
| 1 | 09:40:46 | 3601 | 209.70 | 20.37 | 13.82 | 13.58 | 13.33 | 13.01 | 1.79 | 0.85 |
| 2 | 09:40:47 | 3649 | 208.91 | 20.09 | 12.77 | 12.61 | 12.37 | 12.21 | -0.39 | -1.26 |
| 3 | 09:40:48 | 3693 | 212.02 | 20.00 | 12.05 | 11.90 | 11.90 | 11.90 | -1.55 | -1.32 |
| 4 | 09:40:49 | 3736 | 211.25 | 19.82 | 11.90 | 11.97 | 11.97 | 12.05 | -0.91 | -0.91 |
| 1 | 09:40:50 | 3772 | 213.52 | 19.82 | 12.13 | 12.29 | 12.29 | 12.29 | -0.57 | -0.11 |
| 2 | 09:40:51 | 3813 | 214.02 | 19.73 | 12.29 | 12.21 | 12.05 | 12.05 | 0.62 | 1.32 |
| 3 | 09:40:52 | 3854 | 214.88 | 19.63 | 11.97 | 11.90 | 11.90 | 11.90 | 1.49 | 0.62 |
| 4 | 09:40:53 | 3893 | 214.39 | 19.82 | 11.90 | 11.97 | 12.05 | 12.21 | -0.51 | -0.97 |
| 1 | 09:40:54 | 3933 | 213.77 | 20.37 | 12.21 | 12.21 | 12.21 | 12.13 | -1.91 | -2.82 |
| 2 | 09:40:55 | 3972 | 213.90 | 20.74 | 12.05 | 11.90 | 11.66 | 11.43 | -1.91 | -0.57 |
| 3 | 09:40:56 | 4010 | 213.90 | 20.84 | 11.27 | 11.19 | 11.04 | 11.04 | 0.85 | 1.97 |
| 4 | 09:40:57 | 4046 | 214.76 | 20.74 | 10.89 | 10.89 | 10.81 | 10.73 | 2.70 | 3.25 |
| 1 | 09:40:58 | 4080 | 215.12 | 20.74 | 10.66 | 10.58 | 10.43 | 10.35 | 3.19 | 3.31 |
| 2 | 09:40:59 | 4112 | 216.21 | 20.74 | 10.35 | 10.28 | 10.28 | 10.28 | 2.39 | 1.14 |
| 3 | 09:41:00 | 4142 | 217.74 | 20.74 | 10.28 | 10.35 | 10.35 | 10.35 | 0.68 | 0.51 |
| 4 | 09:41:01 | 4170 | 217.74 | 20.56 | 10.28 | 10.28 | 10.20 | 10.12 | 0.34 | -0.22 |
| 1 | 09:41:02 | 4200 | 218.56 | 20.46 | 10.12 | 10.05 | 10.05 | 9.97 | -0.68 | -1.08 |
| 2 | 09:41:03 | 4228 | 220.04 | 20.37 | 10.05 | 10.12 | 10.28 | 10.35 | -1.43 | -1.79 |
| 3 | 09:41:04 | 4255 | 221.92 | 20.28 | 10.28 | 10.35 | 10.28 | 10.20 | -2.39 | -2.94 |
| 4 | 09:41:05 | 4284 | 222.36 | 20.28 | 10.20 | 10.12 | 10.05 | 10.05 | -3.31 | -3.88 |
| 1 | 09:41:06 | 4314 | 223.75 | 20.09 | 10.05 | 10.05 | 10.12 | 10.20 | -4.20 | -4.65 |
| 2 | 09:41:07 | 4342 | 222.03 | 19.82 | 10.28 | 10.28 | 10.35 | 10.28 | -4.27 | -3.00 |
| 3 | 09:41:08 | 4371 | 224.80 | 19.82 | 10.12 | 9.97 | 9.90 | 9.90 | -1.73 | -0.79 |
| 4 | 09:41:09 | 4402 | 224.28 | 19.82 | 9.90 | 9.90 | 9.90 | 9.90 | -0.11 | 0.62 |
| 1 | 09:41:10 | 4435 | 226.23 | 20.00 | 9.90 | 9.90 | 9.82 | 9.67 | 1.55 | 1.73 |
| 2 | 09:41:11 | 4463 | 224.07 | 20.00 | 9.82 | 9.82 | 9.90 | 9.90 | 1.26 | 1.26 |
| 3 | 09:41:12 | 4490 | 225.52 | 20.00 | 9.90 | 9.82 | 9.82 | 9.67 | 0.97 | 0.91 |
| 4 | 09:41:13 | 4519 | 227.53 | 19.82 | 9.53 | 9.45 | 9.30 | 9.08 | 1.26 | 1.61 |
| 1 | 09:41:14 | 4547 | 229.18 | 19.73 | 9.08 | 9.01 | 9.08 | 9.16 | 1.55 | 0.91 |
| 2 | 09:41:15 | 4577 | 231.23 | 19.82 | 9.16 | 9.23 | 9.23 | 9.23 | 0.28 | -0.51 |
| 3 | 09:41:16 | 4604 | 229.93 | 20.09 | 9.30 | 9.38 | 9.45 | 9.45 | -0.68 | 0.39 |
| 4 | 09:41:17 | 4631 | 230.31 | 20.65 | 9.45 | 9.53 | 9.67 | 9.90 | 2.57 | 5.38 |
| 1 | 09:41:18 | 4663 | 230.96 | 20.84 | 10.05 | 10.20 | 10.43 | 10.58 | 8.00 | 10.12 |
| 2 | 09:41:19 | 4695 | 231.87 | 21.59 | 10.81 | 10.89 | 11.04 | 11.12 | 11.74 | 13.17 |
| 3 | 09:41:20 | 4731 | 232.40 | 22.82 | 11.19 | 11.19 | 11.19 | 11.19 | 14.57 | 16.00 |
| 4 | 09:41:21 | 4768 | 233.02 | 24.38 | 11.19 | 11.19 | 11.19 | 11.27 | 17.30 | 18.55 |
| 1 | 09:41:22 | 4807 | 233.72 | 26.16 | 11.27 | 11.27 | 11.35 | 11.35 | 19.63 | 20.46 |
| 2 | 09:41:23 | 4848 | 234.07 | 27.78 | 11.43 | 11.43 | 11.43 | 11.43 | 21.12 | 21.77 |
| 3 | 09:41:24 | 4889 | 235.00 | 29.54 | 11.43 | 11.50 | 11.50 | 11.50 | 22.34 | 22.82 |
| 4 | 09:41:25 | 4934 | 234.83 | 31.43 | 11.50 | 11.50 | 11.50 | 11.58 | 23.40 | 23.60 |
| 1 | 09:41:26 | 4977 | 234.32 | 33.45 | 11.58 | 11.66 | 11.58 | 11.58 | 23.60 | 23.79 |
| 2 | 09:41:27 | 5025 | 234.66 | 35.73 | 11.58 | 11.50 | 11.43 | 11.35 | 24.28 | 24.18 |
| 3 | 09:41:28 | 5071 | 235.00 | 37.37 | 11.35 | 11.35 | 11.43 | 11.43 | 23.60 | 23.02 |
| 4 | 09:41:29 | 5118 | 235.00 | 39.14 | 11.43 | 11.50 | 11.58 | 11.58 | 23.02 | 23.40 |

| | RELATIVE | | | | Pitch | Pitch | Pitch | Pitch | Roll | Roll |
|---|----------|----------|--------|--------|-------|-------|-------|-------|-------|-------|
| S | TIME | Altitude | IAS | Head | Att 1 | Att 2 | Att 3 | Att 4 | Att 1 | Att 2 |
| F | HH:MM:WN | =19+58 | WN=10 | WN=09 | WN=13 | WN=29 | WN=45 | WN=61 | WN=14 | WN=46 |
| 1 | 09:41:30 | 5166 | 234.83 | 41.03 | 11.66 | 11.58 | 11.66 | 11.74 | 23.99 | 24.38 |
| 2 | 09:41:31 | 5215 | 234.32 | 43.04 | 11.74 | 11.74 | 11.82 | 11.82 | 24.57 | 24.67 |
| 3 | 09:41:32 | 5264 | 233.81 | 44.94 | 11.82 | 11.82 | 11.82 | 11.82 | 24.77 | 24.87 |
| 4 | 09:41:33 | 5313 | 233.55 | 46.85 | 11.82 | 11.90 | 11.90 | 11.90 | 24.77 | 24.47 |
| 1 | 09:41:34 | 5362 | 233.20 | 48.86 | 11.90 | 11.90 | 11.90 | 11.90 | 23.99 | 23.69 |
| 2 | 09:41:35 | 5412 | 232.94 | 50.64 | 11.97 | 11.90 | 11.97 | 11.90 | 23.60 | 23.79 |
| 3 | 09:41:36 | 5463 | 232.58 | 52.52 | 11.90 | 11.97 | 11.97 | 11.97 | 23.99 | 24.18 |
| 4 | 09:41:37 | 5513 | 232.14 | 54.27 | 11.90 | 11.90 | 11.90 | 11.90 | 24.18 | 24.08 |
| 1 | 09:41:38 | 5562 | 231.87 | 56.12 | 11.90 | 11.90 | 11.90 | 11.90 | 24.08 | 24.08 |
| 2 | 09:41:39 | 5612 | 231.69 | 58.04 | 11.90 | 11.90 | 11.90 | 11.82 | 24.18 | 24.18 |
| 3 | 09:41:40 | 5662 | 231.23 | 59.84 | 11.82 | 11.82 | 11.82 | 11.82 | 24.08 | 23.99 |
| 4 | 09:41:41 | 5709 | 231.14 | 61.81 | 11.74 | 11.66 | 11.58 | 11.58 | 23.89 | 23.79 |
| 1 | 09:41:42 | 5757 | 231.23 | 63.64 | 11.58 | 11.50 | 11.50 | 11.43 | 23.60 | 23.50 |
| 2 | 09:41:43 | 5803 | 231.69 | 65.62 | 11.43 | 11.35 | 11.35 | 11.35 | 23.50 | 23.60 |
| 3 | 09:41:44 | 5848 | 231.69 | 67.56 | 11.27 | 11.27 | 11.19 | 11.12 | 23.99 | 24.38 |
| 4 | 09:41:45 | 5894 | 232.32 | 69.35 | 11.12 | 11.04 | 11.04 | 10.96 | 24.67 | 24.77 |
| 1 | 09:41:46 | 5938 | 232.40 | 71.27 | 10.89 | 10.89 | 10.89 | 10.81 | 24.57 | 24.38 |
| 2 | 09:41:47 | 5981 | 232.76 | 73.22 | 10.81 | 10.81 | 10.89 | 10.89 | 24.28 | 24.08 |
| 3 | 09:41:48 | 6024 | 232.94 | 75.10 | 10.89 | 10.89 | 10.81 | 10.81 | 24.18 | 24.18 |
| 4 | 09:41:49 | 6067 | 233.29 | 76.91 | 10.81 | 10.81 | 10.81 | 10.73 | 24.38 | 24.47 |
| 1 | 09:41:50 | 6110 | 233.89 | 78.73 | 10.73 | 10.73 | 10.73 | 10.73 | 24.47 | 24.28 |
| 2 | 09:41:51 | 6152 | 233.81 | 80.62 | 10.73 | 10.73 | 10.73 | 10.73 | 23.99 | 23.79 |
| 3 | 09:41:52 | 6193 | 233.46 | 82.50 | 10.66 | 10.66 | 10.58 | 10.58 | 23.60 | 23.50 |
| 4 | 09:41:53 | 6234 | 233.72 | 84.29 | 10.50 | 10.43 | 10.35 | 10.35 | 23.40 | 23.30 |
| 1 | 09:41:54 | 6273 | 233.55 | 85.93 | 10.35 | 10.35 | 10.35 | 10.28 | 23.30 | 23.30 |
| 2 | 09:41:55 | 6313 | 233.98 | 87.61 | 10.28 | 10.28 | 10.20 | 10.20 | 23.50 | 23.60 |
| 3 | 09:41:56 | 6352 | 234.92 | 89.15 | 10.12 | 10.12 | 10.12 | 10.12 | 23.69 | 23.69 |
| 4 | 09:41:57 | 6392 | 235.76 | 90.68 | 10.12 | 10.05 | 10.05 | 10.05 | 23.40 | 22.82 |
| 1 | 09:41:58 | 6431 | 236.11 | 92.33 | 10.05 | 10.05 | 9.97 | 10.05 | 22.15 | 21.77 |
| 2 | 09:41:59 | 6469 | 236.28 | 93.88 | 9.97 | 10.05 | 10.05 | 9.97 | 21.30 | 21.12 |
| 3 | 09:42:00 | 6506 | 236.98 | 95.44 | 10.05 | 10.05 | 9.97 | 10.05 | 21.02 | 20.84 |
| 4 | 09:42:01 | 6546 | 237.51 | 96.94 | 9.97 | 9.97 | 10.05 | 10.12 | 21.12 | 20.84 |
| 1 | 09:42:02 | 6586 | 237.77 | 98.28 | 10.20 | 10.20 | 10.20 | 10.12 | 20.37 | 19.73 |
| 2 | 09:42:03 | 6625 | 238.68 | 99.53 | 10.05 | 10.05 | 9.97 | 9.97 | 18.91 | 18.28 |
| 3 | 09:42:04 | 6663 | 238.77 | 100.81 | 9.97 | 9.97 | 9.97 | 10.05 | 17.83 | 17.30 |
| 4 | 09:42:05 | 6703 | 238.77 | 102.13 | 10.05 | 10.12 | 10.12 | 10.12 | 16.78 | 16.00 |
| 1 | 09:42:06 | 6743 | 238.86 | 103.17 | 10.05 | 10.05 | 9.97 | 9.97 | 15.15 | 14.40 |
| 2 | 09:42:07 | 6783 | 238.95 | 104.40 | 9.90 | 9.90 | 9.82 | 9.82 | 13.74 | 13.01 |
| 3 | 09:42:08 | 6823 | 238.50 | 105.41 | 9.67 | 9.67 | 9.67 | 9.60 | 12.21 | 11.50 |
| 4 | 09:42:09 | 6862 | 238.50 | 106.26 | 9.60 | 9.60 | 9.60 | 9.53 | 10.89 | 10.35 |
| 1 | 09:42:10 | 6899 | 239.60 | 107.04 | 9.45 | 9.45 | 9.38 | 9.38 | 9.75 | 9.16 |
| 2 | 09:42:11 | 6936 | 239.69 | 107.48 | 9.30 | 9.23 | 9.23 | 9.16 | 8.35 | 7.22 |
| 3 | 09:42:12 | 6973 | 239.97 | 107.92 | 9.08 | 9.01 | 8.94 | 8.86 | 5.78 | 4.65 |
| 4 | 09:42:13 | 7007 | 240.16 | 108.28 | 8.79 | 8.72 | 8.64 | 9.57 | 3.50 | 2.76 |
| 1 | 09:42:14 | 7038 | 240.63 | 108.46 | 8.57 | 8.43 | 8.43 | 8.35 | 2.33 | 1.91 |
| 2 | 09:42:15 | 7071 | 241.59 | 108.64 | 8.35 | 8.28 | 8.21 | 8.14 | 1.38 | 1.26 |
| 3 | 09:42:16 | 7101 | 242.18 | 108.73 | 8.14 | 8.21 | 8.21 | 8.28 | 1.43 | 1.49 |
| 4 | 09:42:17 | 7130 | 243.16 | 108.82 | 8.35 | 8.28 | 8.35 | 9.35 | 1.32 | 1.08 |
| 1 | 09:42:18 | 7157 | 243.87 | 108.91 | 8.28 | 8.28 | 8.35 | 8.43 | 0.34 | -0.45 |
| 2 | 09:42:19 | 7187 | 244.68 | 109.00 | 8.50 | 8.57 | 8.64 | 8.72 | -0.68 | -0.57 |
| 3 | 09:42:20 | 7217 | 244.68 | 108.91 | 8.72 | 8.64 | 8.57 | 8.57 | -0.39 | -0.39 |
| 4 | 09:42:21 | 7247 | 245.83 | 108.82 | 8.50 | 8.50 | 8.57 | 8.64 | -0.39 | -0.57 |
| 1 | 09:42:22 | 7279 | 247.75 | 108.91 | 8.64 | 8.72 | 8.79 | 8.86 | -0.51 | -0.34 |
| 2 | 09:42:23 | 7311 | 248.08 | 108.91 | 8.94 | 9.08 | 9.16 | 9.23 | -0.28 | -0.11 |

| | RELATIVE | | Long | Long | Long | Long | Long ATC |
|---|----------|-----------|-------|-------|-------|-------|----------|
| S | TIME | Altitude | Acc 1 | Acc 2 | Acc 3 | Acc 4 | Keying |
| F | HH:MM:SS | SWN=19+58 | WN=05 | WN=21 | WN=37 | WN=53 | WN=11 |
| 3 | 09:38:48 | 584 | 0.257 | 0.261 | 0.269 | 0.268 | 00001 |
| 4 | 09:38:49 | 584 | 0.270 | 0.269 | 0.262 | 0.255 | 00001 |
| 1 | 09:38:50 | 585 | 0.252 | 0.246 | 0.243 | 0.235 | 00001 |
| 2 | 09:38:51 | 585 | 0.237 | 0.230 | 0.235 | 0.237 | 00001 |
| 3 | 09:38:52 | 587 | 0.241 | 0.244 | 0.246 | 0.244 | 00001 |
| 4 | 09:38:53 | 587 | 0.246 | 0.246 | 0.245 | 0.248 | 00001 |
| 1 | 09:38:54 | 587 | 0.248 | 0.246 | 0.243 | 0.240 | 00001 |
| 2 | 09:38:55 | 587 | 0.240 | 0.242 | 0.240 | 0.243 | 00001 |
| 3 | 09:38:56 | 588 | 0.242 | 0.240 | 0.242 | 0.240 | 00001 |
| 4 | 09:38:57 | 588 | 0.237 | 0.238 | 0.236 | 0.237 | 00001 |
| 1 | 09:38:58 | 587 | 0.233 | 0.236 | 0.235 | 0.235 | 00001 |
| 2 | 09:38:59 | 587 | 0.228 | 0.232 | 0.232 | 0.233 | 00001 |
| 3 | 09:39:00 | 587 | 0.232 | 0.230 | 0.233 | 0.233 | 00001 |
| 4 | 09:39:01 | 587 | 0.230 | 0.232 | 0.228 | 0.229 | 00001 |
| 1 | 09:39:02 | 588 | 0.229 | 0.215 | 0.226 | 0.217 | 00001 |
| 2 | 09:39:03 | 590 | 0.222 | 0.231 | 0.222 | 0.218 | 00001 |
| 3 | 09:39:04 | 588 | 0.224 | 0.224 | 0.223 | 0.225 | 00001 |
| 4 | 09:39:05 | 588 | 0.218 | 0.221 | 0.221 | 0.213 | 00001 |
| 1 | 09:39:06 | 592 | 0.215 | 0.209 | 0.210 | 0.213 | 00001 |
| 2 | 09:39:07 | 592 | 0.206 | 0.215 | 0.214 | 0.206 | 00001 |
| 3 | 09:39:08 | 588 | 0.208 | 0.207 | 0.210 | 0.211 | 00001 |
| 4 | 09:39:09 | 592 | 0.210 | 0.209 | 0.207 | 0.206 | 00001 |
| 1 | 09:39:10 | 593 | 0.197 | 0.200 | 0.201 | 0.199 | 00001 |
| 2 | 09:39:11 | 590 | 0.204 | 0.200 | 0.202 | 0.202 | 00001 |
| 3 | 09:39:12 | 590 | 0.198 | 0.199 | 0.199 | 0.197 | 00001 |
| 4 | 09:39:13 | 592 | 0.199 | 0.196 | 0.194 | 0.198 | 00001 |
| 1 | 09:39:14 | 590 | 0.194 | 0.208 | 0.213 | 0.223 | 00001 |
| 2 | 09:39:15 | 584 | 0.225 | 0.232 | 0.237 | 0.246 | 00001 |
| 3 | 09:39:16 | 584 | 0.251 | 0.262 | 0.265 | 0.264 | 00001 |
| 4 | 09:39:17 | 582 | 0.274 | 0.285 | 0.290 | 0.292 | 00001 |
| 1 | 09:39:18 | 588 | 0.301 | 0.310 | 0.315 | 0.321 | 00001 |
| 2 | 09:39:19 | 596 | 0.326 | 0.323 | 0.330 | 0.331 | 00001 |
| 3 | 09:39:20 | 615 | 0.328 | 0.330 | 0.332 | 0.330 | 00001 |
| 4 | 09:39:21 | 641 | 0.331 | 0.330 | 0.329 | 0.328 | 00001 |
| 1 | 09:39:22 | 671 | 0.332 | 0.332 | 0.317 | 0.317 | 00001 |
| 2 | 09:39:23 | 705 | 0.321 | 0.321 | 0.315 | 0.316 | 00001 |
| 3 | 09:39:24 | 737 | 0.313 | 0.300 | 0.297 | 0.307 | 00001 |
| 4 | 09:39:25 | 770 | 0.309 | 0.313 | 0.308 | 0.302 | 00001 |
| 1 | 09:39:26 | 811 | 0.293 | 0.294 | 0.298 | 0.297 | 00001 |
| 2 | 09:39:27 | 850 | 0.294 | 0.291 | 0.283 | 0.280 | 00001 |
| 3 | 09:39:28 | 892 | 0.284 | 0.290 | 0.290 | 0.288 | 00001 |
| 4 | 09:39:29 | 933 | 0.290 | 0.287 | 0.278 | 0.275 | 00001 |
| 1 | 09:39:30 | 977 | 0.279 | 0.281 | 0.280 | 0.281 | 00001 |
| 2 | 09:39:31 | 1022 | 0.281 | 0.279 | 0.279 | 0.284 | 00001 |
| 3 | 09:39:32 | 1064 | 0.285 | 0.287 | 0.281 | 0.282 | 00001 |
| 4 | 09:39:33 | 1106 | 0.291 | 0.287 | 0.285 | 0.287 | 00001 |
| 1 | 09:39:34 | 1147 | 0.285 | 0.288 | 0.287 | 0.277 | 00001 |
| 2 | 09:39:35 | 1189 | 0.279 | 0.282 | 0.278 | 0.277 | 00001 |
| 3 | 09:39:36 | 1230 | 0.276 | 0.270 | 0.266 | 0.262 | 00001 |
| 4 | 09:39:37 | 1270 | 0.259 | 0.256 | 0.260 | 0.266 | 00001 |
| 1 | 09:39:38 | 1311 | 0.273 | 0.274 | 0.277 | 0.280 | 00001 |
| 2 | 09:39:39 | 1352 | 0.283 | 0.285 | 0.285 | 0.283 | 00001 |
| 3 | 09:39:40 | 1393 | 0.281 | 0.280 | 0.282 | 0.284 | 00001 |
| 4 | 09:39:41 | 1435 | 0.283 | 0.280 | 0.278 | 0.276 | 00001 |

| | RELATIVE | | Long | Long | Long | Long | Long |
|---|----------|-----------|-------|-------|-------|-------|-------|
| S | TIME | Altitude | Acc 1 | Acc 2 | Acc 3 | Acc 4 | ATC |
| F | HH:MM:SS | SWN=19+58 | WN=05 | WN=21 | WN=37 | WN=53 | WN=11 |
| 1 | 09:39:42 | 1477 | 0.275 | 0.272 | 0.272 | 0.272 | 00001 |
| 2 | 09:39:43 | 1519 | 0.269 | 0.267 | 0.262 | 0.258 | 00001 |
| 3 | 09:39:44 | 1559 | 0.257 | 0.257 | 0.257 | 0.255 | 00001 |
| 4 | 09:39:45 | 1591 | 0.255 | 0.257 | 0.258 | 0.260 | 00001 |
| 1 | 09:39:46 | 1622 | 0.258 | 0.261 | 0.263 | 0.266 | 00001 |
| 2 | 09:39:47 | 1650 | 0.269 | 0.271 | 0.274 | 0.276 | 00001 |
| 3 | 09:39:48 | 1678 | 0.277 | 0.278 | 0.278 | 0.275 | 00001 |
| 4 | 09:39:49 | 1703 | 0.279 | 0.272 | 0.259 | 0.257 | 00001 |
| 1 | 09:39:50 | 1725 | 0.259 | 0.259 | 0.263 | 0.265 | 00001 |
| 2 | 09:39:51 | 1746 | 0.265 | 0.270 | 0.272 | 0.272 | 00000 |
| 3 | 09:39:52 | 1766 | 0.272 | 0.277 | 0.267 | 0.268 | 00000 |
| 4 | 09:39:53 | 1783 | 0.268 | 0.266 | 0.267 | 0.267 | 00000 |
| 1 | 09:39:54 | 1798 | 0.272 | 0.278 | 0.279 | 0.283 | 00001 |
| 2 | 09:39:55 | 1820 | 0.284 | 0.284 | 0.288 | 0.292 | 00001 |
| 3 | 09:39:56 | 1842 | 0.292 | 0.290 | 0.288 | 0.285 | 00001 |
| 4 | 09:39:57 | 1865 | 0.282 | 0.281 | 0.282 | 0.290 | 00000 |
| 1 | 09:39:58 | 1888 | 0.298 | 0.290 | 0.286 | 0.290 | 00000 |
| 2 | 09:39:59 | 1913 | 0.281 | 0.270 | 0.272 | 0.267 | 00001 |
| 3 | 09:40:00 | 1941 | 0.262 | 0.265 | 0.264 | 0.267 | 00001 |
| 4 | 09:40:01 | 1970 | 0.268 | 0.268 | 0.267 | 0.274 | 00001 |
| 1 | 09:40:02 | 2001 | 0.280 | 0.280 | 0.278 | 0.280 | 00001 |
| 2 | 09:40:03 | 2029 | 0.272 | 0.271 | 0.274 | 0.272 | 00001 |
| 3 | 09:40:04 | 2062 | 0.267 | 0.271 | 0.276 | 0.281 | 00001 |
| 4 | 09:40:05 | 2094 | 0.276 | 0.271 | 0.265 | 0.261 | 00001 |
| 1 | 09:40:06 | 2128 | 0.268 | 0.270 | 0.257 | 0.255 | 00001 |
| 2 | 09:40:07 | 2163 | 0.259 | 0.258 | 0.255 | 0.257 | 00001 |
| 3 | 09:40:08 | 2199 | 0.257 | 0.257 | 0.260 | 0.260 | 00001 |
| 4 | 09:40:09 | 2232 | 0.260 | 0.260 | 0.257 | 0.262 | 00001 |
| 1 | 09:40:10 | 2271 | 0.261 | 0.259 | 0.263 | 0.270 | 00001 |
| 2 | 09:40:11 | 2306 | 0.261 | 0.261 | 0.255 | 0.251 | 00001 |
| 3 | 09:40:12 | 2340 | 0.256 | 0.252 | 0.255 | 0.259 | 00001 |
| 4 | 09:40:13 | 2377 | 0.260 | 0.259 | 0.257 | 0.265 | 00001 |
| 1 | 09:40:14 | 2411 | 0.266 | 0.268 | 0.263 | 0.265 | 00001 |
| 2 | 09:40:15 | 2452 | 0.268 | 0.268 | 0.266 | 0.259 | 00001 |
| 3 | 09:40:16 | 2489 | 0.253 | 0.251 | 0.252 | 0.249 | 00001 |
| 4 | 09:40:17 | 2531 | 0.260 | 0.268 | 0.268 | 0.265 | 00001 |
| 1 | 09:40:18 | 2569 | 0.260 | 0.252 | 0.252 | 0.249 | 00001 |
| 2 | 09:40:19 | 2608 | 0.254 | 0.256 | 0.260 | 0.256 | 00000 |
| 3 | 09:40:20 | 2649 | 0.249 | 0.247 | 0.244 | 0.241 | 00000 |
| 4 | 09:40:21 | 2690 | 0.238 | 0.234 | 0.240 | 0.248 | 00000 |
| 1 | 09:40:22 | 2728 | 0.245 | 0.252 | 0.252 | 0.246 | 00001 |
| 2 | 09:40:23 | 2769 | 0.245 | 0.247 | 0.246 | 0.237 | 00001 |
| 3 | 09:40:24 | 2808 | 0.236 | 0.236 | 0.236 | 0.232 | 00001 |
| 4 | 09:40:25 | 2845 | 0.231 | 0.230 | 0.226 | 0.225 | 00001 |
| 1 | 09:40:26 | 2882 | 0.225 | 0.225 | 0.233 | 0.232 | 00001 |
| 2 | 09:40:27 | 2915 | 0.234 | 0.226 | 0.218 | 0.215 | 00000 |
| 3 | 09:40:28 | 2944 | 0.216 | 0.214 | 0.214 | 0.210 | 00000 |
| 4 | 09:40:29 | 2971 | 0.215 | 0.218 | 0.222 | 0.231 | 00000 |
| 1 | 09:40:30 | 2995 | 0.233 | 0.234 | 0.242 | 0.244 | 00001 |
| 2 | 09:40:31 | 3018 | 0.240 | 0.237 | 0.236 | 0.231 | 00001 |
| 3 | 09:40:32 | 3039 | 0.234 | 0.236 | 0.239 | 0.238 | 00001 |
| 4 | 09:40:33 | 3062 | 0.239 | 0.244 | 0.240 | 0.243 | 00001 |
| 1 | 09:40:34 | 3087 | 0.243 | 0.245 | 0.249 | 0.248 | 00001 |
| 2 | 09:40:35 | 3113 | 0.249 | 0.251 | 0.255 | 0.257 | 00001 |

| S | RELATIVE TIME | Altitude | Long Acc 1 | Long Acc 2 | Long Acc 3 | Long Acc 4 | ATC Keying |
|---|-----------------|----------|------------|------------|------------|------------|------------|
| F | HH:MM:SWN=19+58 | WN=05 | WN=21 | WN=37 | WN=53 | WN=11 | |
| 3 | 09:40:36 | 3143 | 0.257 | 0.255 | 0.255 | 0.252 | 00001 |
| 4 | 09:40:37 | 3177 | 0.247 | 0.250 | 0.252 | 0.251 | 00001 |
| 1 | 09:40:38 | 3216 | 0.253 | 0.254 | 0.253 | 0.248 | 00001 |
| 2 | 09:40:39 | 3257 | 0.244 | 0.245 | 0.244 | 0.243 | 00001 |
| 3 | 09:40:40 | 3299 | 0.243 | 0.239 | 0.241 | 0.247 | 00001 |
| 4 | 09:40:41 | 3344 | 0.249 | 0.252 | 0.252 | 0.247 | 00001 |
| 1 | 09:40:42 | 3394 | 0.245 | 0.239 | 0.238 | 0.237 | 00001 |
| 2 | 09:40:43 | 3444 | 0.238 | 0.236 | 0.239 | 0.243 | 00001 |
| 3 | 09:40:44 | 3495 | 0.244 | 0.236 | 0.236 | 0.238 | 00001 |
| 4 | 09:40:45 | 3549 | 0.231 | 0.233 | 0.235 | 0.229 | 00001 |
| 1 | 09:40:46 | 3601 | 0.225 | 0.221 | 0.217 | 0.217 | 00001 |
| 2 | 09:40:47 | 3649 | 0.218 | 0.214 | 0.213 | 0.213 | 00001 |
| 3 | 09:40:48 | 3693 | 0.213 | 0.213 | 0.217 | 0.217 | 00001 |
| 4 | 09:40:49 | 3736 | 0.217 | 0.220 | 0.217 | 0.219 | 00001 |
| 1 | 09:40:50 | 3772 | 0.222 | 0.223 | 0.223 | 0.220 | 00001 |
| 2 | 09:40:51 | 3813 | 0.217 | 0.214 | 0.210 | 0.208 | 00001 |
| 3 | 09:40:52 | 3854 | 0.206 | 0.205 | 0.207 | 0.204 | 00001 |
| 4 | 09:40:53 | 3893 | 0.203 | 0.208 | 0.208 | 0.208 | 00001 |
| 1 | 09:40:54 | 3933 | 0.212 | 0.215 | 0.213 | 0.209 | 00001 |
| 2 | 09:40:55 | 3972 | 0.211 | 0.208 | 0.209 | 0.203 | 00001 |
| 3 | 09:40:56 | 4010 | 0.197 | 0.196 | 0.194 | 0.193 | 00001 |
| 4 | 09:40:57 | 4046 | 0.195 | 0.193 | 0.197 | 0.196 | 00001 |
| 1 | 09:40:58 | 4080 | 0.197 | 0.197 | 0.192 | 0.191 | 00001 |
| 2 | 09:40:59 | 4112 | 0.195 | 0.195 | 0.189 | 0.193 | 00001 |
| 3 | 09:41:00 | 4142 | 0.196 | 0.193 | 0.194 | 0.198 | 00001 |
| 4 | 09:41:01 | 4170 | 0.197 | 0.198 | 0.197 | 0.197 | 00001 |
| 1 | 09:41:02 | 4200 | 0.196 | 0.195 | 0.194 | 0.194 | 00001 |
| 2 | 09:41:03 | 4228 | 0.193 | 0.195 | 0.199 | 0.200 | 00001 |
| 3 | 09:41:04 | 4255 | 0.197 | 0.197 | 0.194 | 0.192 | 00001 |
| 4 | 09:41:05 | 4284 | 0.193 | 0.193 | 0.190 | 0.191 | 00001 |
| 1 | 09:41:06 | 4314 | 0.187 | 0.187 | 0.189 | 0.191 | 00001 |
| 2 | 09:41:07 | 4342 | 0.196 | 0.200 | 0.199 | 0.212 | 00001 |
| 3 | 09:41:08 | 4371 | 0.206 | 0.200 | 0.196 | 0.193 | 00001 |
| 4 | 09:41:09 | 4402 | 0.189 | 0.191 | 0.194 | 0.187 | 00001 |
| 1 | 09:41:10 | 4435 | 0.188 | 0.187 | 0.186 | 0.175 | 00001 |
| 2 | 09:41:11 | 4463 | 0.175 | 0.185 | 0.185 | 0.185 | 00001 |
| 3 | 09:41:12 | 4490 | 0.189 | 0.190 | 0.189 | 0.187 | 00001 |
| 4 | 09:41:13 | 4519 | 0.193 | 0.189 | 0.189 | 0.183 | 00001 |
| 1 | 09:41:14 | 4547 | 0.183 | 0.180 | 0.179 | 0.179 | 00001 |
| 2 | 09:41:15 | 4577 | 0.181 | 0.181 | 0.183 | 0.183 | 00001 |
| 3 | 09:41:16 | 4604 | 0.187 | 0.191 | 0.191 | 0.187 | 00000 |
| 4 | 09:41:17 | 4631 | 0.186 | 0.186 | 0.185 | 0.187 | 00000 |
| 1 | 09:41:18 | 4663 | 0.189 | 0.191 | 0.194 | 0.194 | 00001 |
| 2 | 09:41:19 | 4695 | 0.195 | 0.197 | 0.198 | 0.200 | 00001 |
| 3 | 09:41:20 | 4731 | 0.198 | 0.195 | 0.195 | 0.191 | 00001 |
| 4 | 09:41:21 | 4768 | 0.190 | 0.191 | 0.191 | 0.191 | 00001 |
| 1 | 09:41:22 | 4807 | 0.192 | 0.192 | 0.191 | 0.192 | 00001 |
| 2 | 09:41:23 | 4848 | 0.192 | 0.194 | 0.193 | 0.192 | 00001 |
| 3 | 09:41:24 | 4889 | 0.194 | 0.195 | 0.195 | 0.194 | 00001 |
| 4 | 09:41:25 | 4934 | 0.192 | 0.193 | 0.194 | 0.193 | 00001 |
| 1 | 09:41:26 | 4977 | 0.194 | 0.197 | 0.195 | 0.194 | 00001 |
| 2 | 09:41:27 | 5025 | 0.196 | 0.196 | 0.194 | 0.191 | 00001 |
| 3 | 09:41:28 | 5071 | 0.190 | 0.189 | 0.189 | 0.190 | 00001 |
| 4 | 09:41:29 | 5118 | 0.192 | 0.191 | 0.193 | 0.193 | 00001 |

| S | RELATIVE TIME | Altitude | Long Acc 1 | Long Acc 2 | Long Acc 3 | Long Acc 4 | ATC Keying |
|---|-----------------|----------|------------|------------|------------|------------|------------|
| F | HH:MM:SWN=19+58 | | WN=05 | WN=21 | WN=37 | WN=53 | WN=11 |
| 1 | 09:41:30 | 5166 | 0.193 | 0.193 | 0.193 | 0.192 | 00001 |
| 2 | 09:41:31 | 5215 | 0.193 | 0.191 | 0.191 | 0.192 | 00001 |
| 3 | 09:41:32 | 5264 | 0.193 | 0.191 | 0.191 | 0.193 | 00001 |
| 4 | 09:41:33 | 5313 | 0.193 | 0.193 | 0.191 | 0.191 | 00001 |
| 1 | 09:41:34 | 5362 | 0.191 | 0.191 | 0.192 | 0.192 | 00001 |
| 2 | 09:41:35 | 5412 | 0.190 | 0.190 | 0.190 | 0.190 | 00001 |
| 3 | 09:41:36 | 5463 | 0.190 | 0.191 | 0.189 | 0.189 | 00001 |
| 4 | 09:41:37 | 5513 | 0.189 | 0.189 | 0.189 | 0.188 | 00001 |
| 1 | 09:41:38 | 5562 | 0.187 | 0.188 | 0.189 | 0.189 | 00001 |
| 2 | 09:41:39 | 5612 | 0.189 | 0.189 | 0.189 | 0.189 | 00001 |
| 3 | 09:41:40 | 5662 | 0.188 | 0.189 | 0.188 | 0.189 | 00001 |
| 4 | 09:41:41 | 5709 | 0.189 | 0.187 | 0.186 | 0.186 | 00001 |
| 1 | 09:41:42 | 5757 | 0.185 | 0.183 | 0.184 | 0.185 | 00001 |
| 2 | 09:41:43 | 5803 | 0.185 | 0.185 | 0.185 | 0.186 | 00001 |
| 3 | 09:41:44 | 5848 | 0.186 | 0.185 | 0.186 | 0.184 | 00001 |
| 4 | 09:41:45 | 5894 | 0.183 | 0.183 | 0.181 | 0.183 | 00001 |
| 1 | 09:41:46 | 5938 | 0.184 | 0.185 | 0.184 | 0.183 | 00001 |
| 2 | 09:41:47 | 5981 | 0.184 | 0.184 | 0.183 | 0.184 | 00001 |
| 3 | 09:41:48 | 6024 | 0.184 | 0.186 | 0.186 | 0.186 | 00001 |
| 4 | 09:41:49 | 6067 | 0.186 | 0.186 | 0.184 | 0.184 | 00001 |
| 1 | 09:41:50 | 6110 | 0.182 | 0.184 | 0.184 | 0.183 | 00001 |
| 2 | 09:41:51 | 6152 | 0.182 | 0.183 | 0.185 | 0.186 | 00001 |
| 3 | 09:41:52 | 6193 | 0.185 | 0.185 | 0.184 | 0.184 | 00001 |
| 4 | 09:41:53 | 6234 | 0.183 | 0.183 | 0.179 | 0.180 | 00001 |
| 1 | 09:41:54 | 6273 | 0.179 | 0.181 | 0.182 | 0.184 | 00001 |
| 2 | 09:41:55 | 6313 | 0.182 | 0.182 | 0.181 | 0.179 | 00001 |
| 3 | 09:41:56 | 6352 | 0.181 | 0.180 | 0.179 | 0.179 | 00001 |
| 4 | 09:41:57 | 6392 | 0.178 | 0.179 | 0.178 | 0.179 | 00001 |
| 1 | 09:41:58 | 6431 | 0.177 | 0.177 | 0.179 | 0.177 | 00001 |
| 2 | 09:41:59 | 6469 | 0.175 | 0.177 | 0.178 | 0.179 | 00001 |
| 3 | 09:42:00 | 6506 | 0.180 | 0.177 | 0.178 | 0.178 | 00001 |
| 4 | 09:42:01 | 6546 | 0.178 | 0.174 | 0.170 | 0.176 | 00001 |
| 1 | 09:42:02 | 6586 | 0.179 | 0.177 | 0.181 | 0.177 | 00001 |
| 2 | 09:42:03 | 6625 | 0.176 | 0.174 | 0.172 | 0.171 | 00001 |
| 3 | 09:42:04 | 6663 | 0.170 | 0.171 | 0.170 | 0.171 | 00001 |
| 4 | 09:42:05 | 6703 | 0.173 | 0.174 | 0.174 | 0.173 | 00001 |
| 1 | 09:42:06 | 6743 | 0.171 | 0.171 | 0.170 | 0.169 | 00001 |
| 2 | 09:42:07 | 6783 | 0.169 | 0.167 | 0.168 | 0.168 | 00001 |
| 3 | 09:42:08 | 6823 | 0.167 | 0.166 | 0.166 | 0.167 | 00001 |
| 4 | 09:42:09 | 6862 | 0.166 | 0.167 | 0.165 | 0.165 | 00001 |
| 1 | 09:42:10 | 6899 | 0.166 | 0.165 | 0.166 | 0.161 | 00001 |
| 2 | 09:42:11 | 6936 | 0.161 | 0.161 | 0.162 | 0.162 | 00001 |
| 3 | 09:42:12 | 6973 | 0.160 | 0.160 | 0.160 | 0.159 | 00001 |
| 4 | 09:42:13 | 7007 | 0.159 | 0.160 | 0.158 | 0.158 | 00001 |
| 1 | 09:42:14 | 7038 | 0.157 | 0.157 | 0.157 | 0.155 | 00001 |
| 2 | 09:42:15 | 7071 | 0.157 | 0.158 | 0.157 | 0.157 | 00001 |
| 3 | 09:42:16 | 7101 | 0.155 | 0.155 | 0.156 | 0.159 | 00001 |
| 4 | 09:42:17 | 7130 | 0.159 | 0.161 | 0.160 | 0.160 | 00001 |
| 1 | 09:42:18 | 7157 | 0.160 | 0.159 | 0.159 | 0.159 | 00001 |
| 2 | 09:42:19 | 7187 | 0.159 | 0.161 | 0.162 | 0.163 | 00001 |
| 3 | 09:42:20 | 7217 | 0.163 | 0.162 | 0.160 | 0.159 | 00001 |
| 4 | 09:42:21 | 7247 | 0.157 | 0.158 | 0.156 | 0.157 | 00001 |
| 1 | 09:42:22 | 7279 | 0.156 | 0.157 | 0.158 | 0.158 | 00001 |
| 2 | 09:42:23 | 7311 | 0.157 | 0.160 | 0.162 | 0.161 | 00001 |

| S | RELATIVE TIME | Vert Acc 1 WN=04 | Vert Acc 2 WN=12 | Vert Acc 3 WN=20 | Vert Acc 4 WN=28 | Vert Acc 5 WN=36 | Vert Acc 6 WN=44 | Vert Acc 7 WN=52 | Vert Acc 8 WN=60 | CCCont. PiPitch WNWN=55 | Col. 2 |
|---|---------------|---------------------|---------------------|---------------------|---------------------|---------------------|---------------------|---------------------|---------------------|----------------------------|--------|
| 3 | 09:38:48 | 0.944 | 0.977 | 1.006 | 0.970 | 0.953 | 0.956 | 0.967 | 0.972 | -0.0 | 0.1 |
| 4 | 09:38:49 | 0.958 | 0.982 | 0.960 | 0.958 | 0.975 | 0.967 | 0.972 | 0.970 | -0.0 | -0.1 |
| 1 | 09:38:50 | 0.965 | 0.977 | 0.991 | 0.941 | 0.934 | 0.987 | 0.994 | 0.958 | -0.1 | -0.1 |
| 2 | 09:38:51 | 0.951 | 0.977 | 0.989 | 0.963 | 0.929 | 0.960 | 1.015 | 0.989 | -0.1 | -0.1 |
| 3 | 09:38:52 | 0.946 | 0.956 | 0.972 | 0.975 | 0.956 | 0.965 | 0.996 | 0.979 | -0.1 | -0.1 |
| 4 | 09:38:53 | 0.960 | 0.946 | 0.953 | 0.965 | 0.994 | 0.989 | 0.963 | 0.960 | -0.1 | -0.1 |
| 1 | 09:38:54 | 0.965 | 0.979 | 0.944 | 0.958 | 0.958 | 0.984 | 0.979 | 0.975 | -0.1 | -0.1 |
| 2 | 09:38:55 | 0.977 | 0.979 | 0.946 | 0.951 | 0.979 | 0.979 | 0.951 | 0.970 | -0.1 | -0.1 |
| 3 | 09:38:56 | 0.984 | 0.979 | 0.984 | 0.977 | 0.944 | 0.951 | 0.977 | 0.991 | -0.1 | -0.1 |
| 4 | 09:38:57 | 0.963 | 0.934 | 0.972 | 0.994 | 0.987 | 0.941 | 0.948 | 0.972 | -0.1 | -0.1 |
| 1 | 09:38:58 | 0.989 | 0.996 | 0.956 | 0.946 | 0.970 | 0.972 | 0.972 | 0.984 | -0.0 | -0.1 |
| 2 | 09:38:59 | 0.963 | 0.953 | 0.939 | 0.977 | 1.006 | 0.979 | 0.956 | 0.946 | -0.0 | -0.0 |
| 3 | 09:39:00 | 0.936 | 0.982 | 1.008 | 0.996 | 0.953 | 0.972 | 0.946 | 0.960 | -0.0 | -0.1 |
| 4 | 09:39:01 | 0.999 | 0.972 | 0.922 | 0.939 | 1.006 | 1.020 | 0.963 | 0.927 | -0.1 | -0.1 |
| 1 | 09:39:02 | 0.939 | 0.999 | 1.058 | 0.970 | 0.848 | 0.917 | 1.008 | 1.006 | -0.2 | -0.1 |
| 2 | 09:39:03 | 1.018 | 0.956 | 0.927 | 0.922 | 1.003 | 1.011 | 0.958 | 0.946 | -0.1 | -0.1 |
| 3 | 09:39:04 | 0.924 | 0.956 | 0.979 | 1.023 | 0.982 | 0.936 | 0.920 | 0.960 | 0.1 | 0.2 |
| 4 | 09:39:05 | 1.018 | 1.011 | 0.941 | 0.917 | 0.965 | 1.015 | 0.991 | 0.948 | 1.6 | 1.8 |
| 1 | 09:39:06 | 0.917 | 0.960 | 1.018 | 1.027 | 0.946 | 0.922 | 0.934 | 0.975 | 1.8 | 1.7 |
| 2 | 09:39:07 | 1.027 | 0.963 | 0.910 | 0.967 | 0.991 | 0.982 | 0.977 | 0.934 | 1.9 | 1.8 |
| 3 | 09:39:08 | 0.946 | 0.987 | 0.975 | 0.972 | 0.979 | 0.944 | 0.984 | 0.972 | 1.9 | 1.8 |
| 4 | 09:39:09 | 0.956 | 0.951 | 0.960 | 0.977 | 0.984 | 0.948 | 0.958 | 0.989 | 1.8 | 1.7 |
| 1 | 09:39:10 | 0.991 | 0.970 | 0.948 | 0.936 | 0.970 | 0.979 | 0.979 | 0.963 | 1.7 | 1.6 |
| 2 | 09:39:11 | 0.944 | 0.994 | 0.975 | 0.958 | 0.956 | 0.951 | 0.944 | 0.977 | 1.3 | 0.4 |
| 3 | 09:39:12 | 0.996 | 0.982 | 0.970 | 0.936 | 0.922 | 1.001 | 0.982 | 0.972 | -0.2 | -1.7 |
| 4 | 09:39:13 | 0.948 | 0.958 | 0.958 | 1.006 | 0.946 | 0.924 | 1.018 | 1.023 | -3.7 | -5.8 |
| 1 | 09:39:14 | 0.982 | 0.951 | 0.920 | 0.996 | 0.991 | 0.944 | 0.951 | 0.982 | -3.3 | -3.1 |
| 2 | 09:39:15 | 0.958 | 0.934 | 0.948 | 0.991 | 0.982 | 0.951 | 0.893 | 0.891 | -3.0 | -3.0 |
| 3 | 09:39:16 | 0.934 | 1.003 | 1.011 | 0.994 | 0.958 | 0.934 | 0.910 | 0.927 | -3.2 | -3.6 |
| 4 | 09:39:17 | 0.953 | 0.970 | 0.975 | 0.975 | 0.972 | 0.963 | 0.967 | 0.972 | -4.1 | -4.5 |
| 1 | 09:39:18 | 0.972 | 0.975 | 0.989 | 1.015 | 1.027 | 1.044 | 1.068 | 1.049 | -5.4 | -6.1 |
| 2 | 09:39:19 | 1.039 | 1.063 | 1.056 | 1.068 | 1.082 | 1.092 | 1.099 | 1.092 | -6.1 | -6.0 |
| 3 | 09:39:20 | 1.087 | 1.089 | 1.089 | 1.106 | 1.128 | 1.147 | 1.154 | 1.145 | -5.6 | -4.7 |
| 4 | 09:39:21 | 1.145 | 1.137 | 1.147 | 1.128 | 1.140 | 1.173 | 1.171 | 1.183 | -4.4 | -1.9 |
| 1 | 09:39:22 | 1.188 | 1.180 | 1.161 | 1.133 | 1.118 | 1.099 | 1.099 | 1.104 | -1.0 | -1.7 |
| 2 | 09:39:23 | 1.106 | 1.116 | 1.121 | 1.109 | 1.087 | 1.070 | 1.087 | 1.097 | -1.1 | -0.3 |
| 3 | 09:39:24 | 1.085 | 1.034 | 1.013 | 0.991 | 0.984 | 0.994 | 1.006 | 1.018 | -0.3 | -0.8 |
| 4 | 09:39:25 | 1.015 | 1.032 | 1.056 | 1.046 | 1.011 | 0.989 | 0.967 | 0.979 | -0.2 | 0.1 |
| 1 | 09:39:26 | 0.956 | 0.934 | 0.951 | 0.970 | 0.972 | 0.979 | 0.994 | 0.989 | 1.3 | 2.6 |
| 2 | 09:39:27 | 0.984 | 0.979 | 0.970 | 0.941 | 0.922 | 0.917 | 0.903 | 0.889 | 2.5 | 1.1 |
| 3 | 09:39:28 | 0.901 | 0.924 | 0.929 | 0.941 | 0.946 | 0.941 | 0.934 | 0.936 | 1.4 | 1.4 |
| 4 | 09:39:29 | 0.953 | 0.970 | 0.967 | 0.929 | 0.903 | 0.893 | 0.905 | 0.927 | 1.3 | 1.3 |
| 1 | 09:39:30 | 0.917 | 0.920 | 0.924 | 0.924 | 0.917 | 0.922 | 0.920 | 0.915 | 2.4 | 1.6 |
| 2 | 09:39:31 | 0.891 | 0.889 | 0.877 | 0.869 | 0.889 | 0.889 | 0.905 | 0.910 | 1.4 | 1.5 |
| 3 | 09:39:32 | 0.912 | 0.929 | 0.910 | 0.896 | 0.877 | 0.891 | 0.912 | 0.917 | 1.3 | 0.9 |
| 4 | 09:39:33 | 0.941 | 0.953 | 0.929 | 0.927 | 0.929 | 0.915 | 0.951 | 0.963 | 0.9 | 0.6 |
| 1 | 09:39:34 | 0.970 | 0.963 | 0.965 | 0.958 | 0.941 | 0.939 | 0.927 | 0.922 | 0.4 | 0.3 |
| 2 | 09:39:35 | 0.934 | 0.951 | 0.951 | 0.946 | 0.951 | 0.951 | 0.939 | 0.934 | 0.3 | 0.4 |
| 3 | 09:39:36 | 0.927 | 0.920 | 0.920 | 0.891 | 0.879 | 0.867 | 0.860 | 0.838 | 0.1 | -0.1 |
| 4 | 09:39:37 | 0.826 | 0.834 | 0.838 | 0.826 | 0.855 | 0.886 | 0.891 | 0.901 | 0.1 | 0.2 |
| 1 | 09:39:38 | 0.920 | 0.920 | 0.922 | 0.946 | 0.953 | 0.958 | 0.953 | 0.951 | 0.2 | 0.2 |
| 2 | 09:39:39 | 0.970 | 0.977 | 0.977 | 0.970 | 0.965 | 0.963 | 0.946 | 0.953 | 0.2 | 0.2 |
| 3 | 09:39:40 | 0.963 | 0.958 | 0.958 | 0.967 | 0.967 | 0.960 | 0.967 | 0.965 | 0.2 | 0.2 |
| 4 | 09:39:41 | 0.963 | 0.956 | 0.944 | 0.948 | 0.944 | 0.936 | 0.941 | 0.936 | 0.3 | 0.2 |

| S | RELATIVE TIME | Vert Acc 1 | Vert Acc 2 | Vert Acc 3 | Vert Acc 4 | Vert Acc 5 | Vert Acc 6 | Vert Acc 7 | Vert Acc 8 | CCCont. PiPitch | Col. 2 |
|---|---------------|------------|------------|------------|------------|------------|------------|------------|------------|-----------------|--------|
| F | HH:MM:SS | WN=04 | WN=12 | WN=20 | WN=28 | WN=36 | WN=44 | WN=52 | WN=60 | WNWN=55 | |
| 1 | 09:39:42 | 0.927 | 0.915 | 0.910 | 0.908 | 0.905 | 0.903 | 0.893 | 0.872 | 0.3 | -0.1 |
| 2 | 09:39:43 | 0.862 | 0.855 | 0.860 | 0.831 | 0.817 | 0.807 | 0.795 | 0.786 | 0.1 | -0.1 |
| 3 | 09:39:44 | 0.783 | 0.793 | 0.800 | 0.795 | 0.793 | 0.795 | 0.781 | 0.786 | -0.1 | -0.1 |
| 4 | 09:39:45 | 0.793 | 0.798 | 0.802 | 0.807 | 0.810 | 0.817 | 0.814 | 0.817 | -0.4 | -0.4 |
| 1 | 09:39:46 | 0.810 | 0.814 | 0.819 | 0.824 | 0.831 | 0.836 | 0.850 | 0.862 | -1.0 | -1.0 |
| 2 | 09:39:47 | 0.867 | 0.874 | 0.874 | 0.879 | 0.886 | 0.896 | 0.905 | 0.915 | -0.9 | -0.5 |
| 3 | 09:39:48 | 0.912 | 0.912 | 0.917 | 0.889 | 0.893 | 0.917 | 0.903 | 0.898 | -0.5 | -0.5 |
| 4 | 09:39:49 | 0.920 | 0.908 | 0.862 | 0.822 | 0.802 | 0.790 | 0.793 | 0.807 | -1.2 | -1.2 |
| 1 | 09:39:50 | 0.810 | 0.814 | 0.814 | 0.836 | 0.845 | 0.855 | 0.877 | 0.886 | -1.2 | -1.3 |
| 2 | 09:39:51 | 0.889 | 0.886 | 0.889 | 0.912 | 0.915 | 0.903 | 0.910 | 0.915 | -1.4 | -1.3 |
| 3 | 09:39:52 | 0.917 | 0.927 | 0.924 | 0.915 | 0.891 | 0.884 | 0.915 | 0.908 | -1.4 | -1.4 |
| 4 | 09:39:53 | 0.879 | 0.898 | 0.908 | 0.891 | 0.893 | 0.898 | 0.910 | 0.922 | -1.3 | -1.2 |
| 1 | 09:39:54 | 0.946 | 0.956 | 0.963 | 0.977 | 0.975 | 0.977 | 0.994 | 0.994 | -1.1 | -1.1 |
| 2 | 09:39:55 | 0.991 | 1.003 | 1.008 | 1.008 | 1.013 | 1.025 | 1.032 | 1.025 | -1.1 | -1.1 |
| 3 | 09:39:56 | 1.039 | 1.025 | 1.020 | 1.025 | 1.039 | 1.020 | 1.023 | 1.013 | -1.0 | -0.9 |
| 4 | 09:39:57 | 0.994 | 0.991 | 0.984 | 0.989 | 0.982 | 1.027 | 1.082 | 1.080 | -1.3 | -0.9 |
| 1 | 09:39:58 | 1.104 | 1.111 | 1.092 | 1.106 | 1.111 | 1.109 | 1.106 | 1.073 | -0.4 | -0.1 |
| 2 | 09:39:59 | 1.039 | 1.032 | 1.003 | 0.982 | 1.013 | 1.006 | 0.960 | 0.967 | -0.1 | -0.6 |
| 3 | 09:40:00 | 0.970 | 0.963 | 0.956 | 0.970 | 0.963 | 0.956 | 0.963 | 0.965 | -0.8 | -0.9 |
| 4 | 09:40:01 | 0.963 | 0.967 | 0.965 | 0.963 | 0.972 | 1.003 | 1.006 | 1.008 | -0.9 | -1.2 |
| 1 | 09:40:02 | 1.032 | 1.015 | 1.025 | 1.061 | 1.049 | 1.054 | 1.061 | 1.068 | -0.5 | -0.8 |
| 2 | 09:40:03 | 1.034 | 1.015 | 1.030 | 1.008 | 1.030 | 1.042 | 1.039 | 1.037 | -1.3 | -1.4 |
| 3 | 09:40:04 | 1.013 | 1.013 | 1.030 | 1.042 | 1.061 | 1.068 | 1.078 | 1.078 | -1.2 | -0.4 |
| 4 | 09:40:05 | 1.068 | 1.039 | 1.020 | 1.013 | 0.991 | 0.989 | 1.001 | 1.015 | -0.5 | -0.6 |
| 1 | 09:40:06 | 1.027 | 1.046 | 1.023 | 0.982 | 0.944 | 0.953 | 0.948 | 0.953 | -0.6 | -0.6 |
| 2 | 09:40:07 | 0.970 | 0.960 | 0.970 | 0.963 | 0.953 | 0.967 | 0.967 | 0.965 | -0.7 | -0.9 |
| 3 | 09:40:08 | 0.965 | 0.972 | 0.984 | 0.989 | 0.999 | 0.996 | 0.982 | 0.982 | -1.1 | -0.9 |
| 4 | 09:40:09 | 0.975 | 0.970 | 0.975 | 0.972 | 0.989 | 0.999 | 0.996 | 1.001 | -0.9 | -1.0 |
| 1 | 09:40:10 | 0.989 | 0.977 | 0.965 | 0.977 | 1.013 | 1.023 | 1.030 | 0.996 | -0.9 | -0.9 |
| 2 | 09:40:11 | 0.979 | 0.989 | 0.996 | 0.989 | 0.970 | 0.965 | 0.984 | 0.996 | -0.9 | -0.9 |
| 3 | 09:40:12 | 1.006 | 1.003 | 0.994 | 1.013 | 1.027 | 1.003 | 0.999 | 1.027 | -1.1 | -1.0 |
| 4 | 09:40:13 | 1.013 | 1.020 | 1.020 | 0.999 | 1.001 | 1.008 | 1.020 | 1.037 | -0.8 | -1.0 |
| 1 | 09:40:14 | 1.030 | 1.042 | 1.049 | 1.046 | 1.020 | 1.001 | 1.044 | 1.058 | -0.9 | -0.7 |
| 2 | 09:40:15 | 1.061 | 1.061 | 1.042 | 1.032 | 1.011 | 1.018 | 0.967 | 0.932 | -1.1 | -1.4 |
| 3 | 09:40:16 | 0.939 | 0.958 | 0.970 | 0.979 | 0.977 | 0.963 | 0.979 | 1.023 | -1.2 | -1.0 |
| 4 | 09:40:17 | 1.073 | 1.080 | 1.087 | 1.111 | 1.078 | 1.061 | 1.058 | 1.061 | -1.0 | -0.5 |
| 1 | 09:40:18 | 1.054 | 1.030 | 1.008 | 1.006 | 0.996 | 1.011 | 1.013 | 1.015 | -0.6 | -0.8 |
| 2 | 09:40:19 | 1.046 | 1.054 | 1.051 | 1.063 | 1.051 | 1.013 | 0.989 | 0.984 | -0.5 | -0.1 |
| 3 | 09:40:20 | 0.967 | 0.951 | 0.939 | 0.927 | 0.927 | 0.912 | 0.903 | 0.901 | -0.7 | -0.3 |
| 4 | 09:40:21 | 0.917 | 0.912 | 0.920 | 0.965 | 0.991 | 0.979 | 0.984 | 0.991 | -0.2 | -0.4 |
| 1 | 09:40:22 | 0.984 | 1.025 | 1.058 | 1.034 | 1.001 | 1.008 | 0.999 | 0.979 | -0.3 | -0.3 |
| 2 | 09:40:23 | 0.984 | 0.991 | 1.006 | 1.018 | 1.011 | 0.965 | 0.920 | 0.924 | -0.3 | -0.3 |
| 3 | 09:40:24 | 0.936 | 0.932 | 0.922 | 0.944 | 0.929 | 0.908 | 0.905 | 0.901 | -0.6 | -0.6 |
| 4 | 09:40:25 | 0.905 | 0.896 | 0.896 | 0.886 | 0.903 | 0.908 | 0.881 | 0.857 | -0.2 | 0.1 |
| 1 | 09:40:26 | 0.881 | 0.898 | 0.901 | 0.934 | 0.970 | 0.939 | 0.927 | 0.951 | 0.1 | 0.1 |
| 2 | 09:40:27 | 0.927 | 0.881 | 0.845 | 0.819 | 0.800 | 0.781 | 0.774 | 0.764 | 0.1 | -0.4 |
| 3 | 09:40:28 | 0.774 | 0.807 | 0.807 | 0.800 | 0.812 | 0.805 | 0.762 | 0.752 | -0.0 | -1.2 |
| 4 | 09:40:29 | 0.764 | 0.779 | 0.798 | 0.822 | 0.838 | 0.865 | 0.901 | 0.922 | -1.5 | -1.4 |
| 1 | 09:40:30 | 0.908 | 0.908 | 0.924 | 0.944 | 0.965 | 0.994 | 0.982 | 0.941 | -0.6 | -0.9 |
| 2 | 09:40:31 | 0.944 | 0.939 | 0.917 | 0.903 | 0.872 | 0.872 | 0.891 | 0.905 | -1.2 | -1.0 |
| 3 | 09:40:32 | 0.922 | 0.915 | 0.944 | 0.958 | 0.956 | 0.965 | 0.956 | 0.932 | -1.1 | -1.2 |
| 4 | 09:40:33 | 0.932 | 0.956 | 0.958 | 0.965 | 0.977 | 0.965 | 0.977 | 0.989 | -1.1 | -1.1 |
| 1 | 09:40:34 | 0.984 | 0.994 | 1.015 | 1.034 | 1.044 | 1.037 | 1.042 | 1.042 | -1.2 | -1.1 |
| 2 | 09:40:35 | 1.046 | 1.049 | 1.046 | 1.068 | 1.070 | 1.061 | 1.068 | 1.070 | -0.7 | -0.5 |

| S | RELATIVE TIME | Vert Acc 1 | Vert Acc 2 | Vert Acc 3 | Vert Acc 4 | Vert Acc 5 | Vert Acc 6 | Vert Acc 7 | Vert Acc 8 | CCCont. PiPitch | Col. 2 |
|---|---------------|------------|------------|------------|------------|------------|------------|------------|------------|-----------------|--------|
| F | HH:MM:SS | WN=04 | WN=12 | WN=20 | WN=28 | WN=36 | WN=44 | WN=52 | WN=60 | WNWN=55 | |
| 3 | 09:40:36 | 1.080 | 1.080 | 1.056 | 1.054 | 1.061 | 1.049 | 1.044 | 1.063 | 0.2 | 0.2 |
| 4 | 09:40:37 | 1.051 | 1.030 | 1.054 | 1.061 | 1.066 | 1.063 | 1.075 | 1.056 | -0.4 | -0.0 |
| 1 | 09:40:38 | 1.061 | 1.073 | 1.070 | 1.037 | 1.020 | 1.020 | 1.011 | 1.001 | -0.1 | -0.0 |
| 2 | 09:40:39 | 1.001 | 1.001 | 1.006 | 1.008 | 1.006 | 1.001 | 1.003 | 1.013 | -0.0 | 0.1 |
| 3 | 09:40:40 | 1.011 | 0.989 | 0.982 | 1.020 | 1.023 | 1.030 | 1.056 | 1.063 | 0.1 | 0.1 |
| 4 | 09:40:41 | 1.061 | 1.078 | 1.070 | 1.066 | 1.058 | 1.039 | 1.015 | 0.996 | 0.1 | 0.1 |
| 1 | 09:40:42 | 0.989 | 0.994 | 0.975 | 0.967 | 0.956 | 0.956 | 0.965 | 0.960 | 0.1 | 0.1 |
| 2 | 09:40:43 | 0.960 | 0.956 | 0.953 | 0.972 | 0.984 | 1.001 | 0.996 | 0.982 | 0.2 | 0.8 |
| 3 | 09:40:44 | 1.015 | 1.020 | 0.996 | 0.989 | 0.987 | 0.967 | 0.948 | 0.936 | 0.3 | 0.3 |
| 4 | 09:40:45 | 0.920 | 0.915 | 0.920 | 0.936 | 0.946 | 0.944 | 0.917 | 0.905 | 0.3 | 0.3 |
| 1 | 09:40:46 | 0.893 | 0.867 | 0.865 | 0.845 | 0.838 | 0.838 | 0.834 | 0.824 | 0.3 | 0.3 |
| 2 | 09:40:47 | 0.824 | 0.805 | 0.790 | 0.795 | 0.798 | 0.793 | 0.795 | 0.795 | 0.3 | 0.3 |
| 3 | 09:40:48 | 0.798 | 0.793 | 0.807 | 0.810 | 0.819 | 0.836 | 0.838 | 0.845 | -0.6 | -0.7 |
| 4 | 09:40:49 | 0.860 | 0.862 | 0.879 | 0.896 | 0.884 | 0.881 | 0.893 | 0.901 | -0.8 | -1.4 |
| 1 | 09:40:50 | 0.912 | 0.960 | 0.975 | 0.970 | 0.984 | 0.984 | 0.963 | 0.946 | -1.0 | -0.9 |
| 2 | 09:40:51 | 0.948 | 0.941 | 0.932 | 0.920 | 0.915 | 0.905 | 0.905 | 0.915 | -0.9 | -0.7 |
| 3 | 09:40:52 | 0.929 | 0.924 | 0.927 | 0.917 | 0.927 | 0.941 | 0.932 | 0.920 | -0.7 | -0.7 |
| 4 | 09:40:53 | 0.901 | 0.908 | 0.934 | 0.963 | 0.944 | 0.953 | 0.953 | 0.967 | -1.1 | -0.5 |
| 1 | 09:40:54 | 0.991 | 0.996 | 0.989 | 0.970 | 0.956 | 0.922 | 0.912 | 0.941 | -0.5 | 0.1 |
| 2 | 09:40:55 | 0.948 | 0.951 | 0.939 | 0.920 | 0.898 | 0.891 | 0.872 | 0.872 | 0.1 | 0.1 |
| 3 | 09:40:56 | 0.860 | 0.857 | 0.862 | 0.867 | 0.869 | 0.857 | 0.857 | 0.860 | 0.1 | 0.1 |
| 4 | 09:40:57 | 0.867 | 0.869 | 0.860 | 0.857 | 0.879 | 0.893 | 0.908 | 0.908 | 0.1 | 0.1 |
| 1 | 09:40:58 | 0.908 | 0.908 | 0.893 | 0.874 | 0.845 | 0.850 | 0.877 | 0.877 | 0.0 | -0.1 |
| 2 | 09:40:59 | 0.896 | 0.901 | 0.896 | 0.877 | 0.838 | 0.865 | 0.884 | 0.891 | -0.3 | -0.3 |
| 3 | 09:41:00 | 0.893 | 0.896 | 0.901 | 0.910 | 0.920 | 0.929 | 0.934 | 0.941 | -0.2 | -0.2 |
| 4 | 09:41:01 | 0.934 | 0.936 | 0.936 | 0.936 | 0.936 | 0.936 | 0.927 | 0.922 | -0.2 | -0.4 |
| 1 | 09:41:02 | 0.924 | 0.915 | 0.915 | 0.920 | 0.922 | 0.922 | 0.924 | 0.910 | -0.3 | -1.0 |
| 2 | 09:41:03 | 0.898 | 0.929 | 0.972 | 0.970 | 0.970 | 0.970 | 0.975 | 1.011 | -0.7 | -0.4 |
| 3 | 09:41:04 | 1.001 | 0.965 | 0.970 | 0.953 | 0.936 | 0.939 | 0.932 | 0.936 | -0.3 | -0.2 |
| 4 | 09:41:05 | 0.946 | 0.946 | 0.951 | 0.944 | 0.936 | 0.905 | 0.912 | 0.912 | -0.3 | -0.5 |
| 1 | 09:41:06 | 0.896 | 0.898 | 0.896 | 0.927 | 0.936 | 0.915 | 0.915 | 0.932 | -0.5 | -0.5 |
| 2 | 09:41:07 | 0.948 | 0.982 | 1.003 | 1.027 | 1.066 | 1.080 | 1.106 | 1.092 | -0.5 | -0.4 |
| 3 | 09:41:08 | 1.061 | 1.034 | 1.018 | 0.984 | 0.956 | 0.958 | 0.960 | 0.929 | -0.8 | -0.7 |
| 4 | 09:41:09 | 0.934 | 0.963 | 0.982 | 0.967 | 0.984 | 0.970 | 0.920 | 0.927 | -0.3 | -0.4 |
| 1 | 09:41:10 | 0.941 | 0.963 | 0.944 | 0.929 | 0.901 | 0.855 | 0.810 | 0.786 | 0.1 | 0.1 |
| 2 | 09:41:11 | 0.810 | 0.829 | 0.869 | 0.927 | 0.946 | 0.927 | 0.912 | 0.948 | -0.1 | 0.1 |
| 3 | 09:41:12 | 0.965 | 0.944 | 0.946 | 0.953 | 0.948 | 0.965 | 0.963 | 0.965 | 0.1 | -0.0 |
| 4 | 09:41:13 | 0.975 | 0.975 | 0.977 | 0.977 | 0.977 | 0.965 | 0.939 | 0.924 | 0.0 | -0.4 |
| 1 | 09:41:14 | 0.912 | 0.920 | 0.924 | 0.917 | 0.908 | 0.917 | 0.927 | 0.946 | -0.4 | 0.1 |
| 2 | 09:41:15 | 0.944 | 0.941 | 0.929 | 0.936 | 0.944 | 0.929 | 0.922 | 0.960 | -0.3 | -0.5 |
| 3 | 09:41:16 | 0.996 | 0.999 | 0.989 | 0.979 | 0.956 | 0.948 | 0.932 | 0.946 | -0.5 | -0.5 |
| 4 | 09:41:17 | 0.967 | 0.965 | 0.958 | 0.963 | 0.965 | 0.972 | 0.999 | 1.018 | -1.1 | -1.2 |
| 1 | 09:41:18 | 1.027 | 1.023 | 1.034 | 1.042 | 1.049 | 1.054 | 1.061 | 1.061 | -1.4 | -1.3 |
| 2 | 09:41:19 | 1.066 | 1.070 | 1.078 | 1.082 | 1.092 | 1.092 | 1.087 | 1.082 | -1.3 | -1.2 |
| 3 | 09:41:20 | 1.078 | 1.075 | 1.075 | 1.070 | 1.066 | 1.054 | 1.044 | 1.039 | -1.1 | -1.0 |
| 4 | 09:41:21 | 1.039 | 1.044 | 1.056 | 1.051 | 1.039 | 1.039 | 1.039 | 1.049 | -1.1 | -1.2 |
| 1 | 09:41:22 | 1.051 | 1.049 | 1.044 | 1.046 | 1.054 | 1.061 | 1.063 | 1.063 | -1.2 | -1.2 |
| 2 | 09:41:23 | 1.058 | 1.066 | 1.078 | 1.080 | 1.075 | 1.087 | 1.066 | 1.058 | -1.2 | -1.3 |
| 3 | 09:41:24 | 1.080 | 1.080 | 1.080 | 1.085 | 1.087 | 1.073 | 1.070 | 1.066 | -1.0 | -0.9 |
| 4 | 09:41:25 | 1.070 | 1.066 | 1.063 | 1.068 | 1.068 | 1.066 | 1.066 | 1.070 | -0.9 | -0.7 |
| 1 | 09:41:26 | 1.075 | 1.082 | 1.085 | 1.080 | 1.080 | 1.063 | 1.054 | 1.085 | 0.0 | -0.2 |
| 2 | 09:41:27 | 1.099 | 1.099 | 1.089 | 1.092 | 1.080 | 1.068 | 1.061 | 1.049 | -0.2 | -0.4 |
| 3 | 09:41:28 | 1.049 | 1.044 | 1.042 | 1.039 | 1.044 | 1.044 | 1.044 | 1.042 | -0.4 | -0.4 |
| 4 | 09:41:29 | 1.051 | 1.051 | 1.058 | 1.061 | 1.066 | 1.066 | 1.068 | 1.070 | -0.5 | -0.5 |

| | RELATIVE TIME | Vert Acc 1 WN=04 | Vert Acc 2 WN=12 | Vert Acc 3 WN=20 | Vert Acc 4 WN=28 | Vert Acc 5 WN=36 | Vert Acc 6 WN=44 | Vert Acc 7 WN=52 | Vert Acc 8 WN=60 | CCCont. PiPitch WNWN=55 | Col. 2 |
|---|---------------|---------------------|---------------------|---------------------|---------------------|---------------------|---------------------|---------------------|---------------------|----------------------------|--------|
| 1 | 09:41:30 | 1.068 | 1.070 | 1.070 | 1.070 | 1.068 | 1.066 | 1.061 | 1.066 | -0.5 | -0.4 |
| 2 | 09:41:31 | 1.066 | 1.063 | 1.061 | 1.061 | 1.061 | 1.061 | 1.056 | 1.051 | -0.4 | -0.4 |
| 3 | 09:41:32 | 1.054 | 1.049 | 1.054 | 1.051 | 1.049 | 1.054 | 1.056 | 1.056 | -0.4 | -0.5 |
| 4 | 09:41:33 | 1.058 | 1.056 | 1.056 | 1.056 | 1.051 | 1.054 | 1.056 | 1.054 | -0.4 | -0.4 |
| 1 | 09:41:34 | 1.051 | 1.051 | 1.051 | 1.049 | 1.044 | 1.049 | 1.044 | 1.044 | -0.4 | -0.4 |
| 2 | 09:41:35 | 1.042 | 1.039 | 1.039 | 1.039 | 1.037 | 1.034 | 1.030 | 1.037 | -0.3 | -0.3 |
| 3 | 09:41:36 | 1.034 | 1.034 | 1.034 | 1.032 | 1.034 | 1.034 | 1.030 | 1.030 | -0.3 | -0.3 |
| 4 | 09:41:37 | 1.030 | 1.027 | 1.025 | 1.020 | 1.023 | 1.023 | 1.023 | 1.018 | -0.3 | -0.3 |
| 1 | 09:41:38 | 1.020 | 1.020 | 1.023 | 1.015 | 1.023 | 1.023 | 1.025 | 1.023 | -0.4 | -0.4 |
| 2 | 09:41:39 | 1.032 | 1.027 | 1.032 | 1.030 | 1.027 | 1.025 | 1.023 | 1.027 | -0.4 | -0.3 |
| 3 | 09:41:40 | 1.023 | 1.025 | 1.025 | 1.027 | 1.025 | 1.027 | 1.027 | 1.023 | -0.3 | -0.2 |
| 4 | 09:41:41 | 1.023 | 1.015 | 1.013 | 1.011 | 1.013 | 1.008 | 1.008 | 1.003 | -0.2 | -0.2 |
| 1 | 09:41:42 | 0.999 | 0.994 | 0.996 | 0.999 | 1.001 | 1.003 | 1.006 | 1.013 | -0.3 | -0.2 |
| 2 | 09:41:43 | 1.015 | 1.013 | 1.015 | 1.015 | 1.015 | 1.023 | 1.023 | 1.023 | -0.2 | -0.2 |
| 3 | 09:41:44 | 1.023 | 1.015 | 1.018 | 1.023 | 1.018 | 1.023 | 1.015 | 1.013 | -0.2 | -0.2 |
| 4 | 09:41:45 | 1.008 | 1.008 | 1.001 | 0.999 | 0.999 | 1.001 | 1.018 | 1.008 | -0.1 | -0.3 |
| 1 | 09:41:46 | 1.008 | 1.015 | 1.015 | 1.018 | 1.013 | 1.011 | 1.008 | 1.008 | -0.4 | -0.4 |
| 2 | 09:41:47 | 1.020 | 1.020 | 1.018 | 1.018 | 1.018 | 1.018 | 1.023 | 1.020 | -0.4 | -0.4 |
| 3 | 09:41:48 | 1.025 | 1.034 | 1.042 | 1.039 | 1.034 | 1.039 | 1.037 | 1.032 | -0.4 | -0.3 |
| 4 | 09:41:49 | 1.032 | 1.034 | 1.039 | 1.042 | 1.039 | 1.025 | 1.023 | 1.020 | -0.3 | -0.3 |
| 1 | 09:41:50 | 1.020 | 1.027 | 1.030 | 1.023 | 1.023 | 1.023 | 1.020 | 1.008 | -0.3 | -0.3 |
| 2 | 09:41:51 | 1.011 | 1.013 | 1.020 | 1.027 | 1.027 | 1.027 | 1.037 | 1.042 | -0.3 | -0.2 |
| 3 | 09:41:52 | 1.039 | 1.042 | 1.037 | 1.032 | 1.032 | 1.034 | 1.032 | 1.025 | -0.2 | -0.1 |
| 4 | 09:41:53 | 1.027 | 1.018 | 1.015 | 1.006 | 0.994 | 0.996 | 0.991 | 1.006 | -0.1 | -0.1 |
| 1 | 09:41:54 | 0.994 | 1.003 | 1.003 | 1.003 | 1.023 | 1.030 | 1.027 | 1.032 | -0.2 | -0.1 |
| 2 | 09:41:55 | 1.032 | 1.025 | 1.023 | 1.020 | 1.013 | 1.011 | 1.013 | 1.003 | -0.1 | -0.1 |
| 3 | 09:41:56 | 1.003 | 1.025 | 1.025 | 1.034 | 1.027 | 1.020 | 1.023 | 1.027 | -0.2 | -0.1 |
| 4 | 09:41:57 | 1.020 | 1.023 | 1.030 | 1.025 | 1.020 | 1.015 | 1.013 | 1.018 | -0.1 | -0.1 |
| 1 | 09:41:58 | 1.013 | 1.015 | 1.015 | 1.013 | 1.015 | 1.015 | 1.013 | 1.001 | -0.1 | -0.1 |
| 2 | 09:41:59 | 1.008 | 1.013 | 1.015 | 1.015 | 1.018 | 1.025 | 1.027 | 1.032 | -0.1 | -0.1 |
| 3 | 09:42:00 | 1.034 | 1.030 | 1.032 | 1.025 | 1.023 | 1.015 | 1.030 | 1.042 | -0.1 | -0.1 |
| 4 | 09:42:01 | 1.042 | 1.042 | 1.023 | 0.967 | 0.965 | 0.989 | 1.006 | 1.025 | -0.1 | -0.1 |
| 1 | 09:42:02 | 1.054 | 1.070 | 1.058 | 1.058 | 1.070 | 1.061 | 1.051 | 1.037 | -0.0 | -0.0 |
| 2 | 09:42:03 | 1.025 | 1.018 | 1.008 | 0.987 | 0.989 | 0.994 | 0.989 | 0.987 | -0.1 | -0.1 |
| 3 | 09:42:04 | 0.987 | 0.991 | 0.996 | 0.994 | 0.987 | 0.987 | 0.989 | 1.003 | -0.1 | -0.1 |
| 4 | 09:42:05 | 1.008 | 1.013 | 1.018 | 1.015 | 1.023 | 1.011 | 1.011 | 1.008 | -0.0 | -0.0 |
| 1 | 09:42:06 | 1.003 | 1.003 | 0.994 | 0.994 | 0.991 | 0.984 | 0.977 | 0.972 | 0.0 | -0.0 |
| 2 | 09:42:07 | 0.970 | 0.965 | 0.963 | 0.965 | 0.965 | 0.963 | 0.960 | 0.956 | -0.0 | -0.0 |
| 3 | 09:42:08 | 0.956 | 0.946 | 0.941 | 0.946 | 0.941 | 0.941 | 0.941 | 0.944 | 0.0 | 0.1 |
| 4 | 09:42:09 | 0.939 | 0.941 | 0.944 | 0.936 | 0.939 | 0.932 | 0.936 | 0.960 | 0.1 | 0.1 |
| 1 | 09:42:10 | 0.956 | 0.944 | 0.946 | 0.946 | 0.934 | 0.932 | 0.927 | 0.929 | 0.1 | 0.1 |
| 2 | 09:42:11 | 0.934 | 0.932 | 0.929 | 0.936 | 0.934 | 0.936 | 0.939 | 0.929 | 0.1 | 0.1 |
| 3 | 09:42:12 | 0.920 | 0.915 | 0.915 | 0.908 | 0.901 | 0.903 | 0.905 | 0.898 | 0.1 | 0.1 |
| 4 | 09:42:13 | 0.901 | 0.898 | 0.896 | 0.908 | 0.903 | 0.901 | 0.896 | 0.891 | 0.1 | 0.1 |
| 1 | 09:42:14 | 0.893 | 0.896 | 0.893 | 0.889 | 0.898 | 0.901 | 0.896 | 0.903 | 0.2 | 0.1 |
| 2 | 09:42:15 | 0.908 | 0.908 | 0.901 | 0.898 | 0.898 | 0.898 | 0.893 | 0.891 | 0.1 | -0.1 |
| 3 | 09:42:16 | 0.889 | 0.884 | 0.886 | 0.898 | 0.917 | 0.936 | 0.946 | 0.951 | -0.4 | -0.2 |
| 4 | 09:42:17 | 0.956 | 0.965 | 0.965 | 0.958 | 0.956 | 0.965 | 0.958 | 0.965 | -0.3 | -0.3 |
| 1 | 09:42:18 | 0.963 | 0.958 | 0.944 | 0.936 | 0.936 | 0.941 | 0.956 | 0.960 | -0.7 | -0.6 |
| 2 | 09:42:19 | 0.963 | 0.970 | 0.982 | 0.989 | 0.989 | 1.001 | 1.006 | 1.011 | -0.5 | -0.3 |
| 3 | 09:42:20 | 1.011 | 1.008 | 0.999 | 0.982 | 0.972 | 0.965 | 0.960 | 0.960 | -0.2 | -0.2 |
| 4 | 09:42:21 | 0.963 | 0.963 | 0.970 | 0.967 | 0.963 | 0.958 | 0.963 | 0.963 | -0.1 | -0.0 |
| 1 | 09:42:22 | 0.963 | 0.960 | 0.965 | 0.965 | 0.972 | 0.958 | 0.948 | 0.963 | -0.0 | -0.1 |
| 2 | 09:42:23 | 0.989 | 0.999 | 1.015 | 1.023 | 1.032 | 1.023 | 1.023 | 1.013 | -0.0 | 0.0 |

| | RELATIVE | N1 | N1 | N2 | N2 | EGT | EGT | F.Flow | F.Flow | |
|---|----------------|-------|-------|-------|-------|-------|-------|--------|--------|------|
| S | TIME Altitude | Eng.1 | Eng.2 | Eng.1 | Eng.2 | Eng.1 | Eng.2 | Eng.1 | Eng.2 | |
| F | HH:MM:WN=19+58 | WN=51 | WN=30 | WN=31 | WN=06 | WN=32 | WN=64 | WN=16 | WN=48 | |
| 3 | 09:38:48 | 584 | 90.9 | 88.2 | 97.3 | 93.9 | 778.1 | 737.7 | 6866 | 6579 |
| 4 | 09:38:49 | 584 | 90.9 | 91.7 | 98.4 | 95.9 | 795.1 | 764.2 | 7744 | 7629 |
| 1 | 09:38:50 | 585 | 89.7 | 90.5 | 97.9 | 97.1 | 796.0 | 767.0 | 7879 | 7961 |
| 2 | 09:38:51 | 585 | 89.3 | 88.7 | 97.3 | 96.4 | 795.1 | 767.9 | 7762 | 7825 |
| 3 | 09:38:52 | 587 | 89.8 | 88.8 | 97.4 | 95.9 | 802.6 | 778.1 | 7700 | 7735 |
| 4 | 09:38:53 | 587 | 90.2 | 90.0 | 97.8 | 96.1 | 809.3 | 785.6 | 7789 | 7852 |
| 1 | 09:38:54 | 587 | 90.5 | 90.2 | 98.0 | 96.6 | 816.0 | 790.3 | 7852 | 7933 |
| 2 | 09:38:55 | 587 | 90.6 | 90.3 | 98.2 | 96.7 | 819.9 | 795.1 | 7906 | 7988 |
| 3 | 09:38:56 | 588 | 90.7 | 90.4 | 98.3 | 96.9 | 824.7 | 796.9 | 7933 | 8015 |
| 4 | 09:38:57 | 588 | 90.7 | 90.4 | 98.3 | 96.9 | 826.6 | 799.8 | 7942 | 8015 |
| 1 | 09:38:58 | 587 | 90.8 | 90.4 | 98.2 | 96.8 | 830.5 | 802.6 | 7942 | 8024 |
| 2 | 09:38:59 | 587 | 90.7 | 90.4 | 98.3 | 96.8 | 830.5 | 805.5 | 7952 | 8006 |
| 3 | 09:39:00 | 587 | 90.7 | 90.5 | 98.1 | 96.8 | 832.5 | 807.4 | 7952 | 7997 |
| 4 | 09:39:01 | 587 | 90.8 | 90.5 | 98.1 | 96.8 | 834.4 | 808.4 | 7942 | 7988 |
| 1 | 09:39:02 | 588 | 90.8 | 90.4 | 98.2 | 96.9 | 836.4 | 809.3 | 7942 | 7988 |
| 2 | 09:39:03 | 590 | 90.8 | 90.4 | 98.2 | 96.9 | 837.3 | 812.2 | 7942 | 7979 |
| 3 | 09:39:04 | 588 | 90.8 | 90.4 | 98.1 | 96.8 | 838.3 | 815.1 | 7942 | 7988 |
| 4 | 09:39:05 | 588 | 90.8 | 90.4 | 98.1 | 96.7 | 842.2 | 815.1 | 7942 | 7997 |
| 1 | 09:39:06 | 592 | 90.8 | 90.4 | 98.1 | 96.8 | 842.2 | 817.0 | 7942 | 7988 |
| 2 | 09:39:07 | 592 | 90.8 | 90.4 | 98.0 | 96.9 | 844.2 | 818.0 | 7933 | 7997 |
| 3 | 09:39:08 | 588 | 90.8 | 90.4 | 97.9 | 96.8 | 844.2 | 818.9 | 7942 | 7997 |
| 4 | 09:39:09 | 592 | 90.8 | 90.4 | 97.9 | 96.7 | 846.2 | 819.9 | 7942 | 7979 |
| 1 | 09:39:10 | 593 | 90.8 | 90.4 | 97.8 | 96.9 | 847.1 | 822.8 | 7952 | 7988 |
| 2 | 09:39:11 | 590 | 90.8 | 90.4 | 97.9 | 96.6 | 847.1 | 824.7 | 7942 | 7997 |
| 3 | 09:39:12 | 590 | 90.8 | 90.4 | 97.8 | 96.7 | 846.2 | 824.7 | 7961 | 7997 |
| 4 | 09:39:13 | 592 | 90.7 | 90.3 | 97.8 | 96.7 | 849.1 | 824.7 | 7961 | 7988 |
| 1 | 09:39:14 | 590 | 90.7 | 90.4 | 97.7 | 96.6 | 851.1 | 827.6 | 7952 | 7979 |
| 2 | 09:39:15 | 584 | 90.8 | 90.3 | 97.8 | 96.6 | 851.1 | 827.6 | 7970 | 7988 |
| 3 | 09:39:16 | 584 | 90.8 | 90.4 | 97.8 | 96.6 | 852.1 | 829.6 | 7979 | 8015 |
| 4 | 09:39:17 | 582 | 90.8 | 90.3 | 97.7 | 96.7 | 853.1 | 830.5 | 7979 | 8015 |
| 1 | 09:39:18 | 588 | 90.7 | 90.3 | 97.7 | 96.7 | 854.1 | 831.5 | 7988 | 8034 |
| 2 | 09:39:19 | 596 | 90.7 | 90.3 | 97.8 | 96.6 | 855.0 | 832.5 | 8006 | 8015 |
| 3 | 09:39:20 | 615 | 90.7 | 90.3 | 97.7 | 96.6 | 858.0 | 833.4 | 8015 | 8024 |
| 4 | 09:39:21 | 641 | 90.8 | 90.3 | 97.7 | 96.7 | 857.0 | 835.4 | 8015 | 8024 |
| 1 | 09:39:22 | 671 | 90.8 | 90.2 | 97.7 | 96.6 | 858.0 | 836.4 | 8024 | 8024 |
| 2 | 09:39:23 | 705 | 90.8 | 90.2 | 97.7 | 96.6 | 859.0 | 836.4 | 8024 | 8024 |
| 3 | 09:39:24 | 737 | 90.7 | 90.2 | 97.7 | 96.6 | 858.0 | 836.4 | 8024 | 8034 |
| 4 | 09:39:25 | 770 | 90.7 | 90.2 | 97.7 | 96.7 | 860.0 | 836.4 | 8024 | 8043 |
| 1 | 09:39:26 | 811 | 90.7 | 90.3 | 97.7 | 96.7 | 860.0 | 838.3 | 8024 | 8061 |
| 2 | 09:39:27 | 850 | 90.7 | 90.2 | 97.7 | 96.6 | 860.0 | 839.3 | 8015 | 8061 |
| 3 | 09:39:28 | 892 | 90.7 | 90.3 | 97.6 | 96.7 | 862.0 | 838.3 | 8006 | 8052 |
| 4 | 09:39:29 | 933 | 90.7 | 90.3 | 97.6 | 96.7 | 861.0 | 840.3 | 7997 | 8034 |
| 1 | 09:39:30 | 977 | 90.7 | 90.3 | 97.6 | 96.6 | 861.0 | 841.3 | 7997 | 7997 |
| 2 | 09:39:31 | 1022 | 90.7 | 90.4 | 97.6 | 96.6 | 862.0 | 842.2 | 7988 | 7988 |
| 3 | 09:39:32 | 1064 | 90.8 | 90.4 | 97.6 | 96.7 | 864.0 | 842.2 | 7988 | 7988 |
| 4 | 09:39:33 | 1106 | 90.7 | 90.4 | 97.6 | 96.6 | 862.0 | 843.2 | 7979 | 7979 |
| 1 | 09:39:34 | 1147 | 90.8 | 90.4 | 97.6 | 96.6 | 863.0 | 844.2 | 7970 | 7979 |
| 2 | 09:39:35 | 1189 | 90.8 | 90.4 | 97.5 | 96.6 | 864.0 | 844.2 | 7970 | 7970 |
| 3 | 09:39:36 | 1230 | 90.8 | 90.4 | 97.6 | 96.6 | 864.0 | 844.2 | 7961 | 7970 |
| 4 | 09:39:37 | 1270 | 90.8 | 90.4 | 97.6 | 96.6 | 864.0 | 844.2 | 7952 | 7942 |
| 1 | 09:39:38 | 1311 | 90.8 | 90.4 | 97.5 | 96.5 | 863.0 | 844.2 | 7942 | 7933 |
| 2 | 09:39:39 | 1352 | 90.9 | 90.4 | 97.6 | 96.7 | 863.0 | 845.2 | 7933 | 7924 |
| 3 | 09:39:40 | 1393 | 90.8 | 90.4 | 97.5 | 96.6 | 864.0 | 845.2 | 7924 | 7915 |
| 4 | 09:39:41 | 1435 | 90.9 | 90.4 | 97.6 | 96.5 | 864.0 | 845.2 | 7915 | 7906 |

| | RELATIVE | N1 | N1 | N2 | N2 | EGT | EGT | F.Flow | F.Flow | |
|---|----------------|-------|-------|-------|-------|-------|-------|--------|--------|------|
| S | TIMEaltitude | Eng.1 | Eng.2 | Eng.1 | Eng.2 | Eng.1 | Eng.2 | Eng.1 | Eng.2 | |
| F | HH:MM:WN=19+58 | WN=51 | WN=30 | WN=31 | WN=06 | WN=32 | WN=64 | WN=16 | WN=48 | |
| 1 | 09:39:42 | 1477 | 90.8 | 90.4 | 97.5 | 96.6 | 864.0 | 845.2 | 7906 | 7897 |
| 2 | 09:39:43 | 1519 | 90.8 | 90.4 | 97.5 | 96.6 | 864.0 | 845.2 | 7897 | 7861 |
| 3 | 09:39:44 | 1559 | 90.8 | 90.4 | 97.5 | 96.7 | 864.0 | 845.2 | 7897 | 7861 |
| 4 | 09:39:45 | 1591 | 90.8 | 90.4 | 97.4 | 96.4 | 863.0 | 845.2 | 7879 | 7861 |
| 1 | 09:39:46 | 1622 | 90.8 | 90.4 | 97.5 | 96.6 | 863.0 | 846.2 | 7888 | 7870 |
| 2 | 09:39:47 | 1650 | 90.9 | 90.4 | 97.4 | 96.6 | 863.0 | 846.2 | 7879 | 7861 |
| 3 | 09:39:48 | 1678 | 90.8 | 90.4 | 97.4 | 96.4 | 863.0 | 846.2 | 7870 | 7870 |
| 4 | 09:39:49 | 1703 | 90.8 | 90.4 | 97.4 | 96.5 | 864.0 | 846.2 | 7861 | 7861 |
| 1 | 09:39:50 | 1725 | 90.8 | 90.4 | 97.5 | 96.5 | 864.0 | 847.1 | 7834 | 7816 |
| 2 | 09:39:51 | 1746 | 90.8 | 90.4 | 97.5 | 96.4 | 863.0 | 846.2 | 7834 | 7825 |
| 3 | 09:39:52 | 1766 | 90.8 | 90.4 | 97.4 | 96.5 | 863.0 | 846.2 | 7825 | 7807 |
| 4 | 09:39:53 | 1783 | 90.8 | 90.4 | 97.4 | 96.5 | 864.0 | 847.1 | 7834 | 7843 |
| 1 | 09:39:54 | 1798 | 90.8 | 90.4 | 97.4 | 96.5 | 862.0 | 846.2 | 7834 | 7852 |
| 2 | 09:39:55 | 1820 | 90.8 | 90.4 | 97.4 | 96.5 | 862.0 | 847.1 | 7825 | 7843 |
| 3 | 09:39:56 | 1842 | 90.8 | 90.4 | 97.4 | 96.5 | 862.0 | 848.1 | 7825 | 7852 |
| 4 | 09:39:57 | 1865 | 90.8 | 90.4 | 97.4 | 96.4 | 862.0 | 848.1 | 7834 | 7843 |
| 1 | 09:39:58 | 1888 | 90.8 | 90.4 | 97.4 | 96.5 | 862.0 | 847.1 | 7825 | 7843 |
| 2 | 09:39:59 | 1913 | 90.9 | 90.4 | 97.4 | 96.5 | 862.0 | 847.1 | 7825 | 7843 |
| 3 | 09:40:00 | 1941 | 90.8 | 90.4 | 97.4 | 96.5 | 861.0 | 847.1 | 7825 | 7825 |
| 4 | 09:40:01 | 1970 | 90.8 | 90.4 | 97.4 | 96.4 | 861.0 | 847.1 | 7816 | 7825 |
| 1 | 09:40:02 | 2001 | 90.9 | 90.4 | 97.4 | 96.4 | 861.0 | 848.1 | 7816 | 7825 |
| 2 | 09:40:03 | 2029 | 90.8 | 90.4 | 97.4 | 96.5 | 860.0 | 847.1 | 7807 | 7816 |
| 3 | 09:40:04 | 2062 | 90.8 | 90.4 | 97.4 | 96.5 | 861.0 | 847.1 | 7807 | 7789 |
| 4 | 09:40:05 | 2094 | 90.8 | 90.4 | 97.5 | 96.4 | 861.0 | 848.1 | 7807 | 7798 |
| 1 | 09:40:06 | 2128 | 90.8 | 90.4 | 97.4 | 96.5 | 862.0 | 847.1 | 7807 | 7798 |
| 2 | 09:40:07 | 2163 | 90.8 | 90.4 | 97.4 | 96.5 | 860.0 | 847.1 | 7798 | 7780 |
| 3 | 09:40:08 | 2199 | 90.8 | 90.4 | 97.4 | 96.4 | 862.0 | 847.1 | 7789. | 7780 |
| 4 | 09:40:09 | 2232 | 90.8 | 90.4 | 97.5 | 96.5 | 861.0 | 847.1 | 7780 | 7771 |
| 1 | 09:40:10 | 2271 | 90.8 | 90.4 | 97.4 | 96.4 | 859.0 | 847.1 | 7789 | 7780 |
| 2 | 09:40:11 | 2306 | 90.8 | 90.4 | 97.5 | 96.5 | 859.0 | 847.1 | 7780 | 7753 |
| 3 | 09:40:12 | 2340 | 90.8 | 90.4 | 97.4 | 96.5 | 860.0 | 847.1 | 7780 | 7744 |
| 4 | 09:40:13 | 2377 | 90.9 | 90.4 | 97.5 | 96.4 | 857.0 | 847.1 | 7771 | 7744 |
| 1 | 09:40:14 | 2411 | 90.9 | 90.5 | 97.5 | 96.4 | 859.0 | 847.1 | 7753 | 7744 |
| 2 | 09:40:15 | 2452 | 90.9 | 90.4 | 97.4 | 96.5 | 860.0 | 846.2 | 7753 | 7753 |
| 3 | 09:40:16 | 2489 | 90.9 | 90.4 | 97.5 | 96.5 | 858.0 | 847.1 | 7753 | 7744 |
| 4 | 09:40:17 | 2531 | 90.9 | 90.4 | 97.4 | 96.5 | 858.0 | 847.1 | 7744 | 7735 |
| 1 | 09:40:18 | 2569 | 90.9 | 90.4 | 97.5 | 96.4 | 858.0 | 847.1 | 7735 | 7735 |
| 2 | 09:40:19 | 2608 | 90.9 | 90.4 | 97.4 | 96.5 | 858.0 | 846.2 | 7744 | 7726 |
| 3 | 09:40:20 | 2649 | 90.9 | 90.4 | 97.4 | 96.5 | 858.0 | 846.2 | 7735 | 7726 |
| 4 | 09:40:21 | 2690 | 90.9 | 90.4 | 97.4 | 96.5 | 857.0 | 846.2 | 7709 | 7718 |
| 1 | 09:40:22 | 2728 | 90.9 | 90.4 | 97.5 | 96.4 | 856.0 | 845.2 | 7691 | 7718 |
| 2 | 09:40:23 | 2769 | 90.9 | 90.4 | 97.4 | 96.5 | 856.0 | 845.2 | 7691 | 7726 |
| 3 | 09:40:24 | 2808 | 90.9 | 90.4 | 97.4 | 96.5 | 856.0 | 846.2 | 7682 | 7718 |
| 4 | 09:40:25 | 2845 | 90.9 | 90.4 | 97.4 | 96.4 | 856.0 | 845.2 | 7691 | 7691 |
| 1 | 09:40:26 | 2882 | 90.9 | 90.4 | 97.5 | 96.5 | 857.0 | 844.2 | 7682 | 7691 |
| 2 | 09:40:27 | 2915 | 90.9 | 90.4 | 97.4 | 96.6 | 854.1 | 844.2 | 7673 | 7700 |
| 3 | 09:40:28 | 2944 | 90.9 | 90.4 | 97.4 | 96.5 | 855.0 | 844.2 | 7655 | 7709 |
| 4 | 09:40:29 | 2971 | 90.9 | 90.5 | 97.4 | 96.6 | 854.1 | 844.2 | 7638 | 7673 |
| 1 | 09:40:30 | 2995 | 90.9 | 90.5 | 97.5 | 96.5 | 855.0 | 844.2 | 7638 | 7664 |
| 2 | 09:40:31 | 3018 | 90.9 | 90.5 | 97.4 | 96.5 | 855.0 | 843.2 | 7638 | 7655 |
| 3 | 09:40:32 | 3039 | 90.9 | 90.5 | 97.4 | 96.4 | 854.1 | 843.2 | 7646 | 7638 |
| 4 | 09:40:33 | 3062 | 90.9 | 90.5 | 97.4 | 96.4 | 855.0 | 843.2 | 7638 | 7638 |
| 1 | 09:40:34 | 3087 | 90.9 | 90.5 | 97.4 | 96.5 | 854.1 | 843.2 | 7638 | 7638 |
| 2 | 09:40:35 | 3113 | 90.9 | 90.5 | 97.4 | 96.4 | 852.1 | 844.2 | 7638 | 7638 |

| | RELATIVE | N1 | N1 | N2 | N2 | EGT | EGT | F.Flow | F.Flow | |
|---|----------------|-------|-------|-------|-------|-------|-------|--------|--------|------|
| S | TIMEAltitude | Eng.1 | Eng.2 | Eng.1 | Eng.2 | Eng.1 | Eng.2 | Eng.1 | Eng.2 | |
| F | HH:MM:WN=19+58 | WN=51 | WN=30 | WN=31 | WN=06 | WN=32 | WN=64 | WN=16 | WN=48 | |
| 3 | 09:40:36 | 3143 | 90.9 | 90.5 | 97.4 | 96.3 | 854.1 | 843.2 | 7638 | 7646 |
| 4 | 09:40:37 | 3177 | 90.9 | 90.5 | 97.4 | 96.4 | 852.1 | 842.2 | 7629 | 7646 |
| 1 | 09:40:38 | 3216 | 90.9 | 90.5 | 97.4 | 96.5 | 850.1 | 842.2 | 7629 | 7646 |
| 2 | 09:40:39 | 3257 | 90.9 | 90.5 | 97.4 | 96.4 | 851.1 | 842.2 | 7620 | 7629 |
| 3 | 09:40:40 | 3299 | 90.9 | 90.5 | 97.4 | 96.3 | 850.1 | 842.2 | 7602 | 7611 |
| 4 | 09:40:41 | 3344 | 91.0 | 90.5 | 97.3 | 96.4 | 849.1 | 841.3 | 7602 | 7620 |
| 1 | 09:40:42 | 3394 | 91.0 | 90.5 | 97.3 | 96.4 | 850.1 | 840.3 | 7593 | 7602 |
| 2 | 09:40:43 | 3444 | 91.0 | 90.5 | 97.3 | 96.3 | 849.1 | 840.3 | 7593 | 7602 |
| 3 | 09:40:44 | 3495 | 90.9 | 90.5 | 97.3 | 96.3 | 848.1 | 839.3 | 7576 | 7584 |
| 4 | 09:40:45 | 3549 | 91.0 | 90.5 | 97.3 | 96.4 | 850.1 | 839.3 | 7567 | 7576 |
| 1 | 09:40:46 | 3601 | 90.9 | 90.5 | 97.3 | 96.3 | 849.1 | 840.3 | 7558 | 7567 |
| 2 | 09:40:47 | 3649 | 91.0 | 90.5 | 97.3 | 96.4 | 849.1 | 839.3 | 7540 | 7540 |
| 3 | 09:40:48 | 3693 | 91.0 | 90.5 | 97.3 | 96.4 | 849.1 | 840.3 | 7540 | 7532 |
| 4 | 09:40:49 | 3736 | 91.0 | 90.6 | 97.3 | 96.4 | 848.1 | 839.3 | 7523 | 7532 |
| 1 | 09:40:50 | 3772 | 90.3 | 90.1 | 97.1 | 96.3 | 842.2 | 833.4 | 7488 | 7444 |
| 2 | 09:40:51 | 3813 | 89.6 | 89.0 | 96.8 | 96.0 | 837.3 | 827.6 | 7340 | 7271 |
| 3 | 09:40:52 | 3854 | 89.1 | 88.9 | 96.4 | 95.7 | 832.5 | 823.7 | 7160 | 7160 |
| 4 | 09:40:53 | 3893 | 88.8 | 87.9 | 96.2 | 95.5 | 828.6 | 819.9 | 7050 | 6999 |
| 1 | 09:40:54 | 3933 | 88.5 | 87.9 | 96.1 | 95.4 | 826.6 | 818.0 | 6941 | 6891 |
| 2 | 09:40:55 | 3972 | 88.4 | 88.2 | 96.0 | 95.6 | 822.8 | 817.0 | 6874 | 6882 |
| 3 | 09:40:56 | 4010 | 88.3 | 88.2 | 95.9 | 95.6 | 818.9 | 815.1 | 6808 | 6874 |
| 4 | 09:40:57 | 4046 | 88.2 | 88.0 | 95.8 | 95.5 | 818.9 | 812.2 | 6759 | 6833 |
| 1 | 09:40:58 | 4080 | 88.2 | 87.8 | 95.9 | 95.6 | 817.0 | 809.3 | 6734 | 6783 |
| 2 | 09:40:59 | 4112 | 88.1 | 87.7 | 95.9 | 95.2 | 815.1 | 810.3 | 6726 | 6742 |
| 3 | 09:41:00 | 4142 | 88.2 | 87.7 | 95.9 | 95.5 | 814.1 | 808.4 | 6709 | 6718 |
| 4 | 09:41:01 | 4170 | 88.1 | 87.8 | 95.8 | 95.5 | 814.1 | 808.4 | 6701 | 6718 |
| 1 | 09:41:02 | 4200 | 88.1 | 87.7 | 95.8 | 95.4 | 813.1 | 806.5 | 6693 | 6701 |
| 2 | 09:41:03 | 4228 | 88.1 | 87.8 | 95.8 | 95.5 | 813.1 | 806.5 | 6693 | 6701 |
| 3 | 09:41:04 | 4255 | 88.1 | 87.7 | 95.8 | 95.4 | 811.2 | 806.5 | 6693 | 6701 |
| 4 | 09:41:05 | 4284 | 88.0 | 87.7 | 95.8 | 95.5 | 808.4 | 805.5 | 6685 | 6693 |
| 1 | 09:41:06 | 4314 | 88.1 | 87.8 | 95.8 | 95.4 | 810.3 | 805.5 | 6677 | 6701 |
| 2 | 09:41:07 | 4342 | 88.1 | 87.7 | 95.8 | 95.4 | 810.3 | 804.5 | 6669 | 6693 |
| 3 | 09:41:08 | 4371 | 88.0 | 87.8 | 95.8 | 95.5 | 809.3 | 803.6 | 6660 | 6701 |
| 4 | 09:41:09 | 4402 | 88.1 | 87.7 | 95.8 | 95.4 | 808.4 | 803.6 | 6660 | 6701 |
| 1 | 09:41:10 | 4435 | 88.0 | 87.7 | 95.8 | 95.4 | 808.4 | 803.6 | 6660 | 6701 |
| 2 | 09:41:11 | 4463 | 88.0 | 87.7 | 95.8 | 95.5 | 807.4 | 803.6 | 6652 | 6693 |
| 3 | 09:41:12 | 4490 | 88.0 | 87.7 | 95.8 | 95.4 | 807.4 | 802.6 | 6636 | 6693 |
| 4 | 09:41:13 | 4519 | 88.0 | 87.7 | 95.8 | 95.5 | 807.4 | 802.6 | 6636 | 6693 |
| 1 | 09:41:14 | 4547 | 88.0 | 87.7 | 95.8 | 95.4 | 807.4 | 802.6 | 6644 | 6685 |
| 2 | 09:41:15 | 4577 | 88.1 | 87.7 | 95.8 | 95.5 | 808.4 | 802.6 | 6636 | 6685 |
| 3 | 09:41:16 | 4604 | 88.1 | 87.7 | 95.8 | 95.5 | 807.4 | 800.7 | 6644 | 6677 |
| 4 | 09:41:17 | 4631 | 88.1 | 87.8 | 95.9 | 95.4 | 804.5 | 800.7 | 6636 | 6677 |
| 1 | 09:41:18 | 4663 | 88.1 | 87.7 | 95.9 | 95.5 | 804.5 | 799.8 | 6628 | 6669 |
| 2 | 09:41:19 | 4695 | 88.1 | 87.7 | 95.9 | 95.6 | 804.5 | 799.8 | 6636 | 6652 |
| 3 | 09:41:20 | 4731 | 88.1 | 87.8 | 95.9 | 95.5 | 803.6 | 799.8 | 6628 | 6660 |
| 4 | 09:41:21 | 4768 | 88.2 | 87.7 | 95.9 | 95.4 | 804.5 | 798.8 | 6612 | 6660 |
| 1 | 09:41:22 | 4807 | 88.2 | 87.8 | 95.8 | 95.4 | 805.5 | 798.8 | 6612 | 6636 |
| 2 | 09:41:23 | 4848 | 88.2 | 87.7 | 95.8 | 95.3 | 803.6 | 798.8 | 6620 | 6628 |
| 3 | 09:41:24 | 4889 | 88.2 | 87.8 | 95.9 | 95.4 | 805.5 | 797.9 | 6620 | 6628 |
| 4 | 09:41:25 | 4934 | 88.2 | 87.8 | 96.0 | 95.5 | 806.5 | 798.8 | 6628 | 6636 |
| 1 | 09:41:26 | 4977 | 88.3 | 87.9 | 95.9 | 95.4 | 805.5 | 799.8 | 6628 | 6636 |
| 2 | 09:41:27 | 5025 | 88.2 | 88.0 | 96.0 | 95.4 | 804.5 | 798.8 | 6628 | 6644 |
| 3 | 09:41:28 | 5071 | 88.3 | 87.9 | 96.0 | 95.5 | 806.5 | 799.8 | 6628 | 6652 |
| 4 | 09:41:29 | 5118 | 88.3 | 87.9 | 96.0 | 95.4 | 805.5 | 798.8 | 6628 | 6652 |

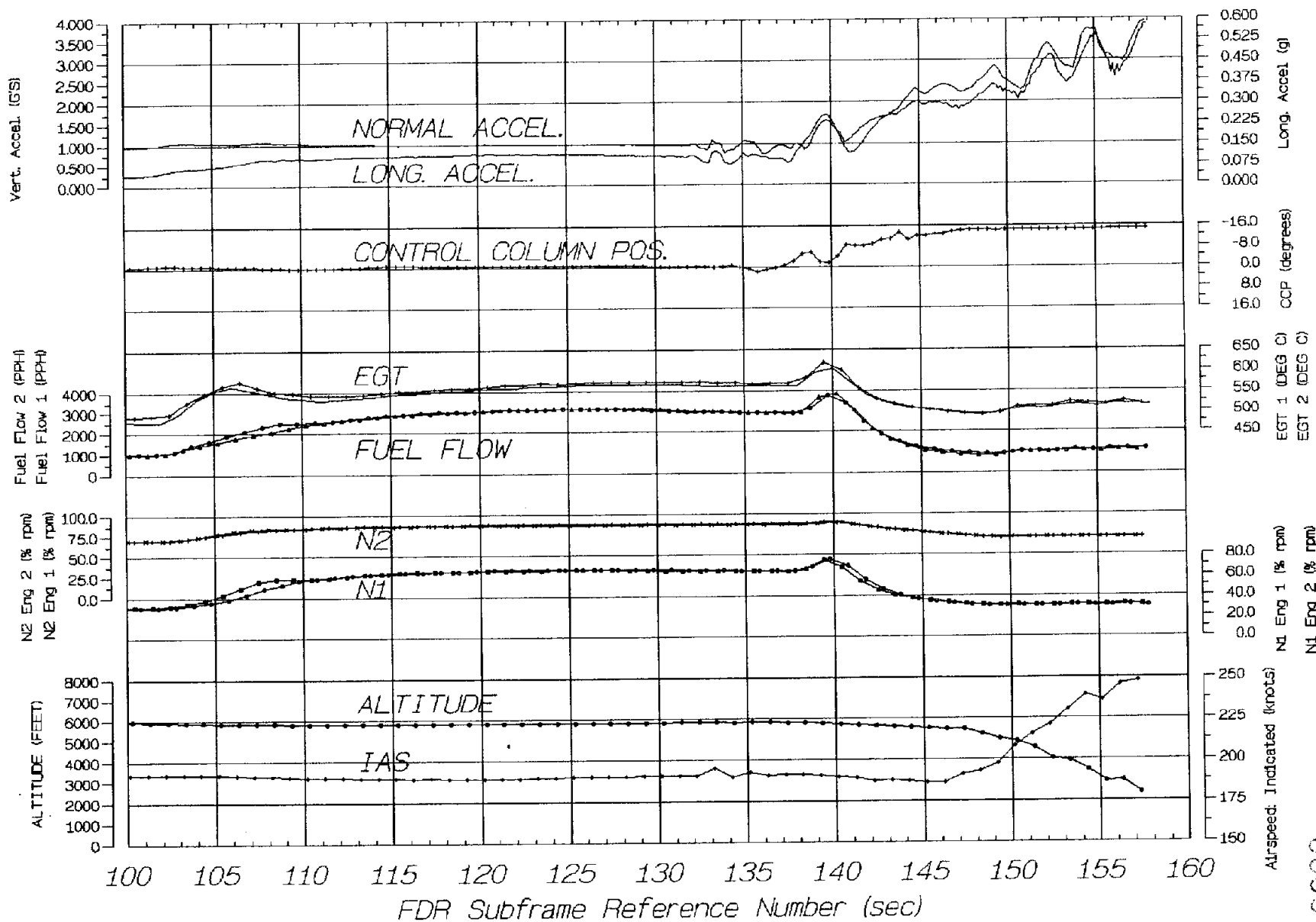
| S | RELATIVE TIME | Altitude | N1 | | N2 | | EGT | | F.Flow | |
|---|----------------|----------|-------|-------|-------|-------|-------|-------|--------|-------|
| | | | Eng.1 | Eng.2 | Eng.1 | Eng.2 | Eng.1 | Eng.2 | Eng.1 | Eng.2 |
| F | HH:MM:WN=19+58 | | WN=51 | WN=30 | WN=31 | WN=06 | WN=32 | WN=64 | WN=16 | WN=48 |
| 1 | 09:41:30 | 5166 | 88.3 | 88.0 | 96.0 | 95.4 | 805.5 | 799.8 | 6628 | 6644 |
| 2 | 09:41:31 | 5215 | 88.3 | 88.1 | 96.0 | 95.4 | 804.5 | 799.8 | 6612 | 6644 |
| 3 | 09:41:32 | 5264 | 88.4 | 88.1 | 96.0 | 95.5 | 806.5 | 798.8 | 6595 | 6636 |
| 4 | 09:41:33 | 5313 | 88.4 | 88.1 | 96.1 | 95.5 | 806.5 | 798.8 | 6595 | 6612 |
| 1 | 09:41:34 | 5362 | 88.4 | 88.1 | 96.0 | 95.5 | 806.5 | 799.8 | 6595 | 6612 |
| 2 | 09:41:35 | 5412 | 88.4 | 88.0 | 96.0 | 95.4 | 805.5 | 797.9 | 6579 | 6603 |
| 3 | 09:41:36 | 5463 | 88.3 | 88.0 | 96.0 | 95.5 | 806.5 | 796.9 | 6555 | 6587 |
| 4 | 09:41:37 | 5513 | 88.3 | 88.0 | 96.0 | 95.5 | 803.6 | 797.9 | 6539 | 6579 |
| 1 | 09:41:38 | 5562 | 88.3 | 88.0 | 96.0 | 95.4 | 805.5 | 798.8 | 6515 | 6563 |
| 2 | 09:41:39 | 5612 | 88.3 | 88.0 | 96.0 | 95.4 | 803.6 | 796.9 | 6507 | 6555 |
| 3 | 09:41:40 | 5662 | 88.3 | 88.0 | 96.0 | 95.5 | 802.6 | 796.9 | 6491 | 6547 |
| 4 | 09:41:41 | 5709 | 88.3 | 88.0 | 96.0 | 95.4 | 801.7 | 796.9 | 6483 | 6523 |
| 1 | 09:41:42 | 5757 | 88.3 | 88.0 | 95.9 | 95.4 | 802.6 | 796.0 | 6467 | 6515 |
| 2 | 09:41:43 | 5803 | 88.3 | 88.0 | 95.9 | 95.5 | 800.7 | 796.9 | 6459 | 6507 |
| 3 | 09:41:44 | 5848 | 88.3 | 87.9 | 95.9 | 95.4 | 800.7 | 795.1 | 6451 | 6475 |
| 4 | 09:41:45 | 5894 | 88.3 | 87.9 | 95.9 | 95.4 | 801.7 | 795.1 | 6443 | 6459 |
| 1 | 09:41:46 | 5938 | 88.3 | 88.0 | 96.0 | 95.4 | 801.7 | 796.0 | 6443 | 6451 |
| 2 | 09:41:47 | 5981 | 88.3 | 87.9 | 96.0 | 95.4 | 799.8 | 796.0 | 6435 | 6451 |
| 3 | 09:41:48 | 6024 | 88.3 | 87.9 | 96.0 | 95.5 | 801.7 | 795.1 | 6435 | 6451 |
| 4 | 09:41:49 | 6067 | 88.3 | 88.0 | 96.0 | 95.5 | 800.7 | 795.1 | 6427 | 6443 |
| 1 | 09:41:50 | 6110 | 88.3 | 87.9 | 96.0 | 95.5 | 800.7 | 796.0 | 6419 | 6435 |
| 2 | 09:41:51 | 6152 | 88.3 | 88.0 | 96.0 | 95.4 | 799.8 | 795.1 | 6411 | 6443 |
| 3 | 09:41:52 | 6193 | 88.3 | 88.0 | 95.9 | 95.5 | 799.8 | 794.1 | 6411 | 6435 |
| 4 | 09:41:53 | 6234 | 88.3 | 88.0 | 96.0 | 95.5 | 799.8 | 794.1 | 6403 | 6435 |
| 1 | 09:41:54 | 6273 | 88.3 | 88.0 | 96.0 | 95.4 | 797.9 | 794.1 | 6395 | 6427 |
| 2 | 09:41:55 | 6313 | 88.3 | 88.0 | 96.0 | 95.4 | 797.9 | 793.2 | 6387 | 6435 |
| 3 | 09:41:56 | 6352 | 88.3 | 88.1 | 96.0 | 95.5 | 797.9 | 793.2 | 6379 | 6419 |
| 4 | 09:41:57 | 6392 | 88.3 | 88.1 | 96.0 | 95.4 | 798.8 | 793.2 | 6379 | 6427 |
| 1 | 09:41:58 | 6431 | 88.3 | 88.0 | 95.9 | 95.5 | 798.8 | 793.2 | 6371 | 6403 |
| 2 | 09:41:59 | 6469 | 88.3 | 88.1 | 95.9 | 95.4 | 797.9 | 793.2 | 6371 | 6395 |
| 3 | 09:42:00 | 6506 | 88.3 | 88.1 | 95.9 | 95.3 | 798.8 | 793.2 | 6363 | 6403 |
| 4 | 09:42:01 | 6546 | 88.3 | 88.1 | 95.9 | 95.4 | 798.8 | 792.2 | 6355 | 6387 |
| 1 | 09:42:02 | 6586 | 88.3 | 88.1 | 95.9 | 95.4 | 798.8 | 792.2 | 6355 | 6379 |
| 2 | 09:42:03 | 6625 | 88.4 | 88.1 | 95.9 | 95.4 | 797.9 | 792.2 | 6355 | 6387 |
| 3 | 09:42:04 | 6663 | 88.4 | 88.1 | 95.9 | 95.5 | 798.8 | 792.2 | 6347 | 6371 |
| 4 | 09:42:05 | 6703 | 88.4 | 88.2 | 96.0 | 95.5 | 798.8 | 792.2 | 6347 | 6363 |
| 1 | 09:42:06 | 6743 | 88.4 | 88.2 | 96.0 | 95.4 | 799.8 | 793.2 | 6339 | 6371 |
| 2 | 09:42:07 | 6783 | 88.5 | 88.1 | 96.0 | 95.5 | 797.9 | 792.2 | 6347 | 6363 |
| 3 | 09:42:08 | 6823 | 88.5 | 88.1 | 96.0 | 95.4 | 798.8 | 792.2 | 6339 | 6347 |
| 4 | 09:42:09 | 6862 | 88.4 | 88.3 | 96.0 | 95.3 | 796.9 | 793.2 | 6323 | 6347 |
| 1 | 09:42:10 | 6899 | 88.4 | 88.2 | 96.0 | 95.4 | 798.8 | 791.3 | 6323 | 6347 |
| 2 | 09:42:11 | 6936 | 88.4 | 88.3 | 96.0 | 95.4 | 797.9 | 792.2 | 6316 | 6347 |
| 3 | 09:42:12 | 6973 | 88.4 | 88.2 | 96.0 | 95.4 | 796.9 | 791.3 | 6308 | 6355 |
| 4 | 09:42:13 | 7007 | 88.4 | 88.2 | 95.9 | 95.4 | 796.9 | 790.3 | 6308 | 6339 |
| 1 | 09:42:14 | 7038 | 88.4 | 88.2 | 96.0 | 95.3 | 796.0 | 790.3 | 6300 | 6331 |
| 2 | 09:42:15 | 7071 | 88.5 | 88.3 | 96.0 | 95.4 | 796.9 | 789.4 | 6308 | 6323 |
| 3 | 09:42:16 | 7101 | 88.5 | 88.3 | 95.9 | 95.4 | 796.9 | 790.3 | 6292 | 6300 |
| 4 | 09:42:17 | 7130 | 88.4 | 88.2 | 96.0 | 95.3 | 796.0 | 788.4 | 6300 | 6300 |
| 1 | 09:42:18 | 7157 | 88.5 | 88.2 | 96.0 | 95.3 | 796.9 | 788.4 | 6292 | 6300 |
| 2 | 09:42:19 | 7187 | 88.4 | 88.2 | 96.0 | 95.2 | 796.0 | 788.4 | 6292 | 6300 |
| 3 | 09:42:20 | 7217 | 88.5 | 88.2 | 96.0 | 95.3 | 795.1 | 787.5 | 6284 | 6292 |
| 4 | 09:42:21 | 7247 | 88.5 | 88.2 | 96.0 | 95.3 | 795.1 | 787.5 | 6276 | 6276 |
| 1 | 09:42:22 | 7279 | 88.4 | 88.2 | 95.9 | 95.3 | 794.1 | 788.4 | 6276 | 6276 |
| 2 | 09:42:23 | 7311 | 88.5 | 88.2 | 96.0 | 95.3 | 793.2 | 786.6 | 6268 | 6276 |

ATTACHMENT VI
(ORD-PIT Data Plot)

USAir Flight 427

Last minute of data (w/o last 2 secs.)

NTSB # : DCA-94-MA-076



Engine Data

Revised: November 1994

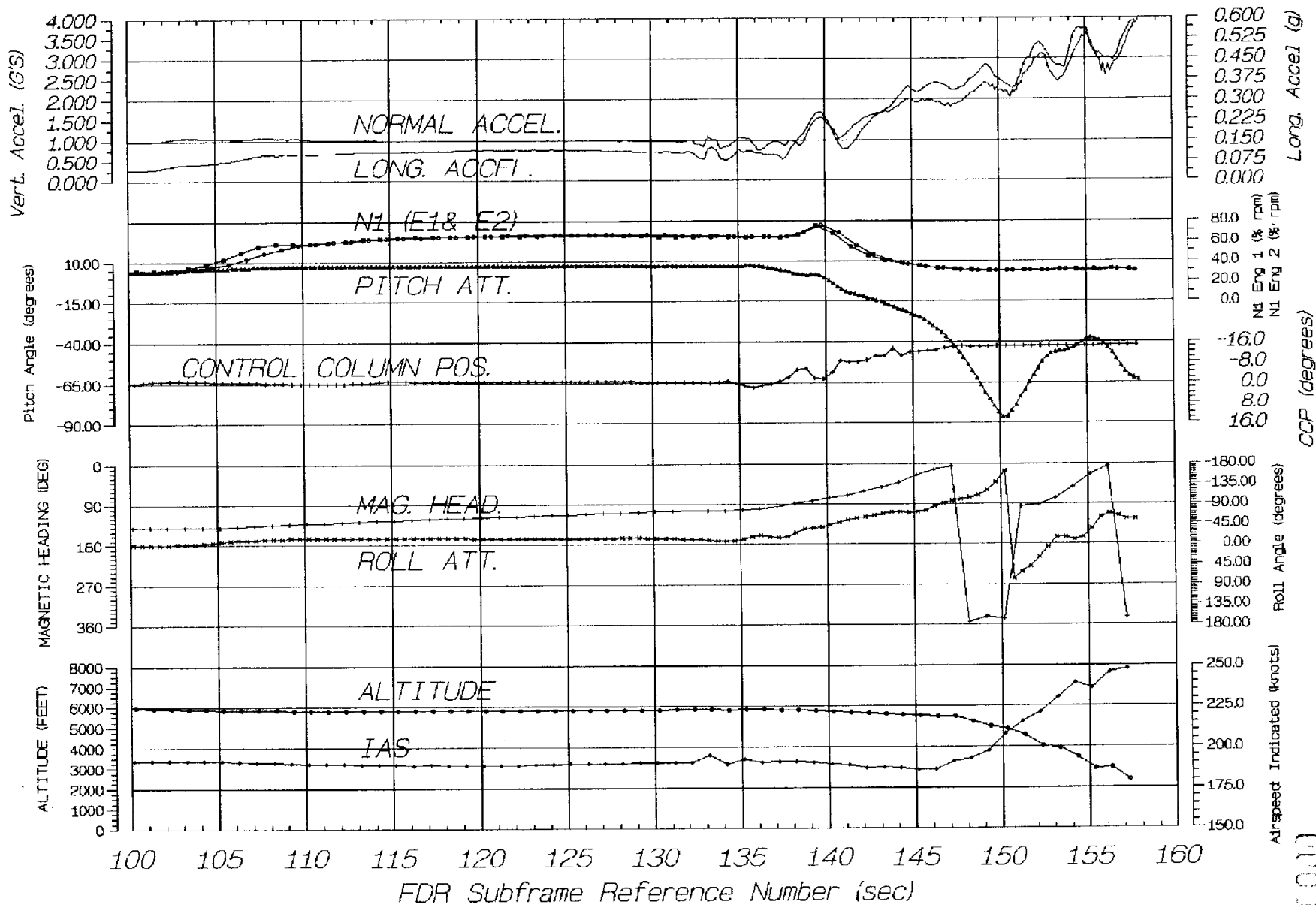
NTSB Flight Recorder Laboratory

000070

USAir Flight 427

Last minute of data (w/o last 2 secs.)

NTSB # : DCA-94-MA-076



Flight Data

Revised: November 1994

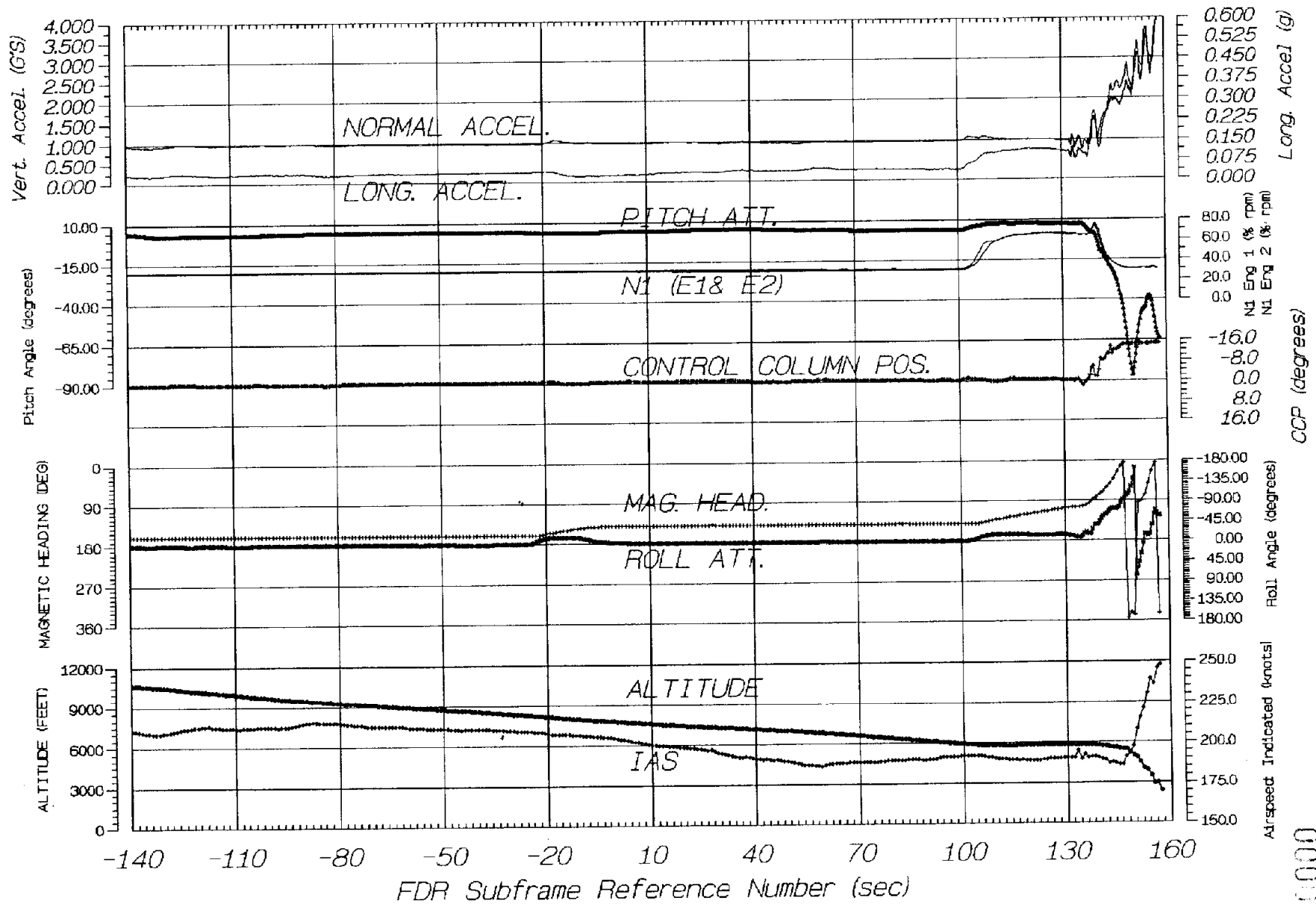
NTSB Flight Recorder Laboratory

0000771

USAir Flight 427

Last 5 minutes of data (w/o last 2 secs.)

NTSB #: DCA-94-MA-076



Flight Data

Revised: November 1994

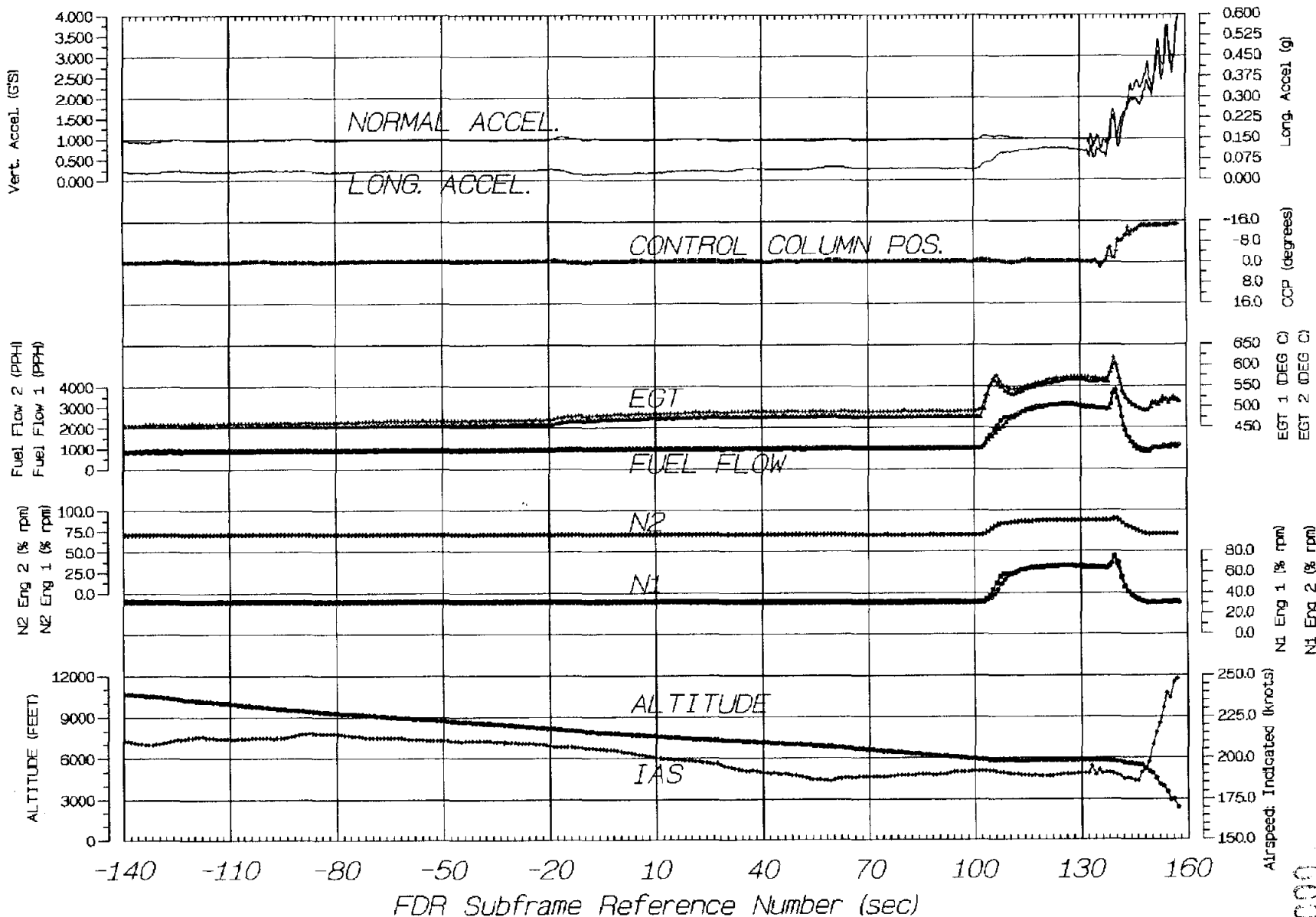
NTSB Flight Recorder Laboratory

000072

USAir Flight 427

Last 5 minutes of data (w/o last 2 secs.)

NTSB # : DCA-94-MA-076



Engine Data

Revised: November 1994

NTSB Flight Recorder Laboratory

600373

USAIR 427

