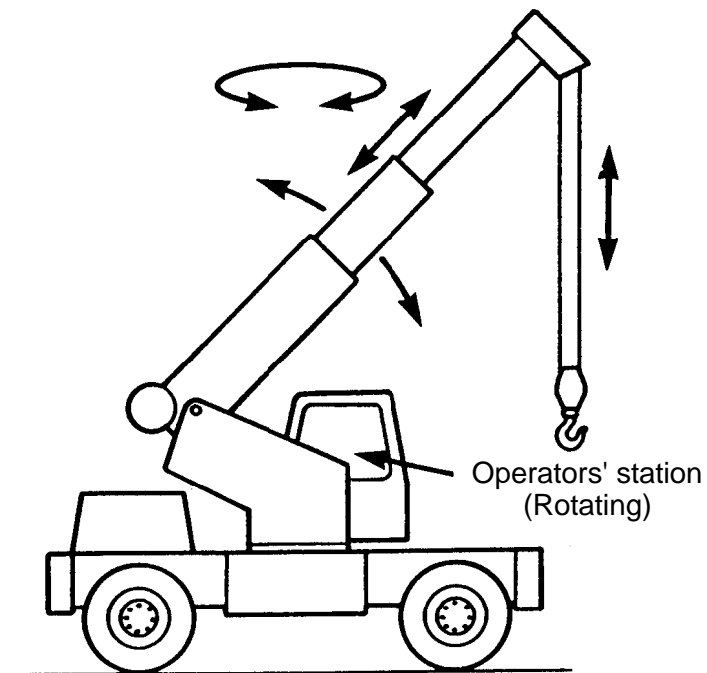
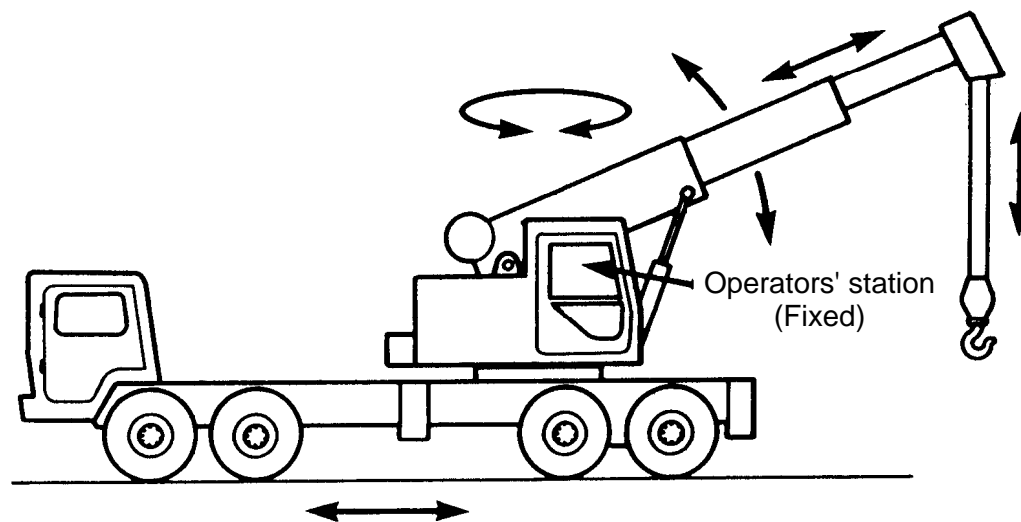


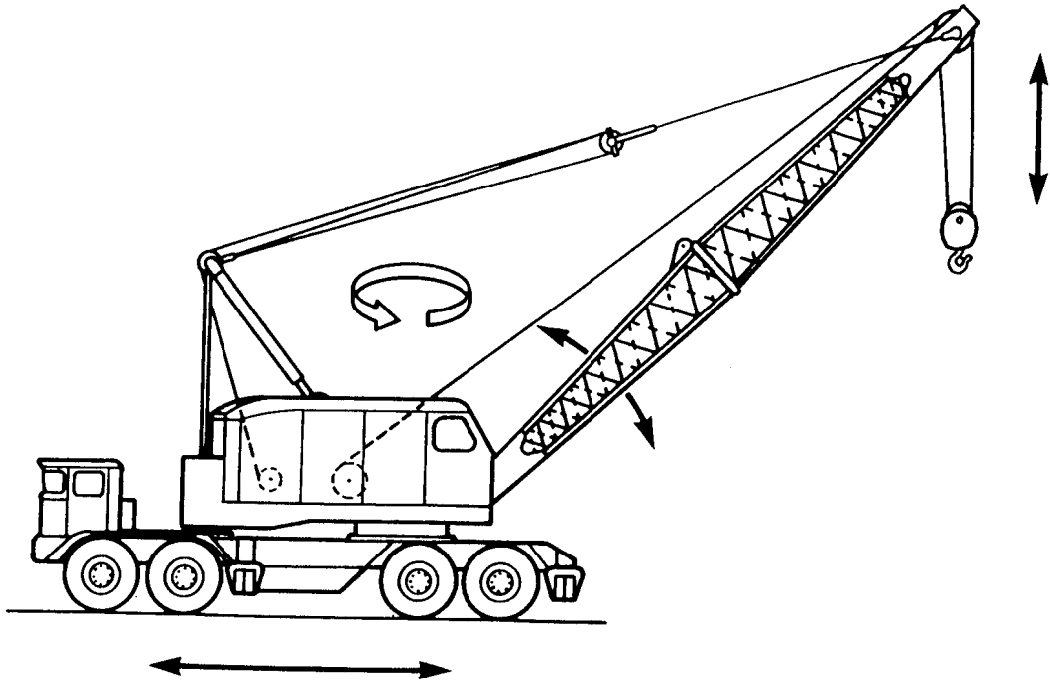
# Types of Cranes Generally Found in the Workplace



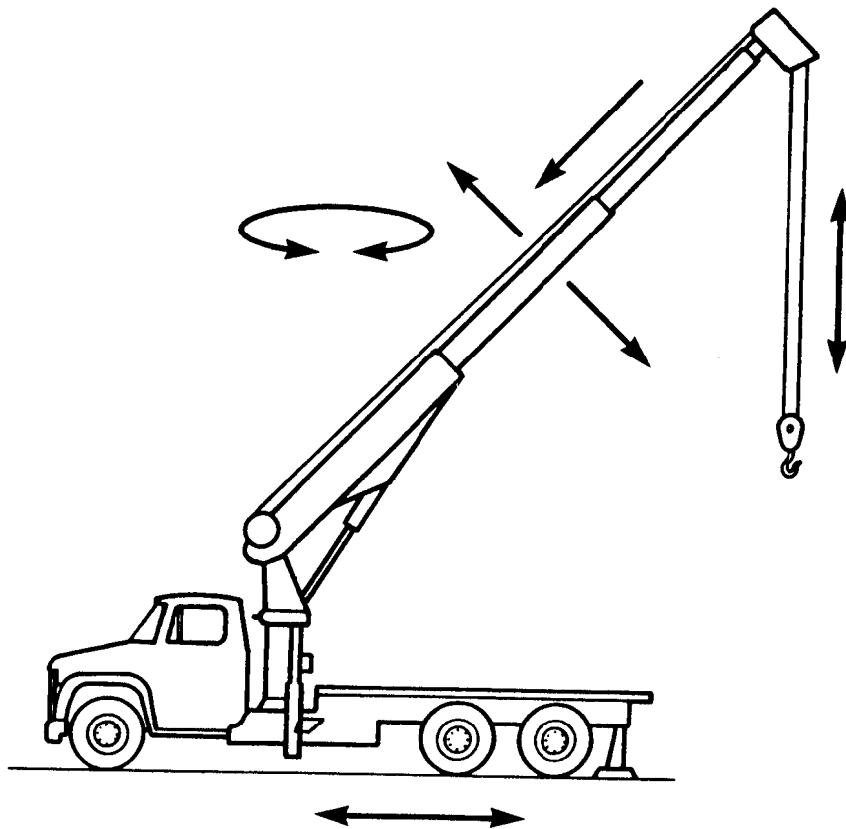
Wheel-mounted Crane: Telescoping Boom (Single Control Station)



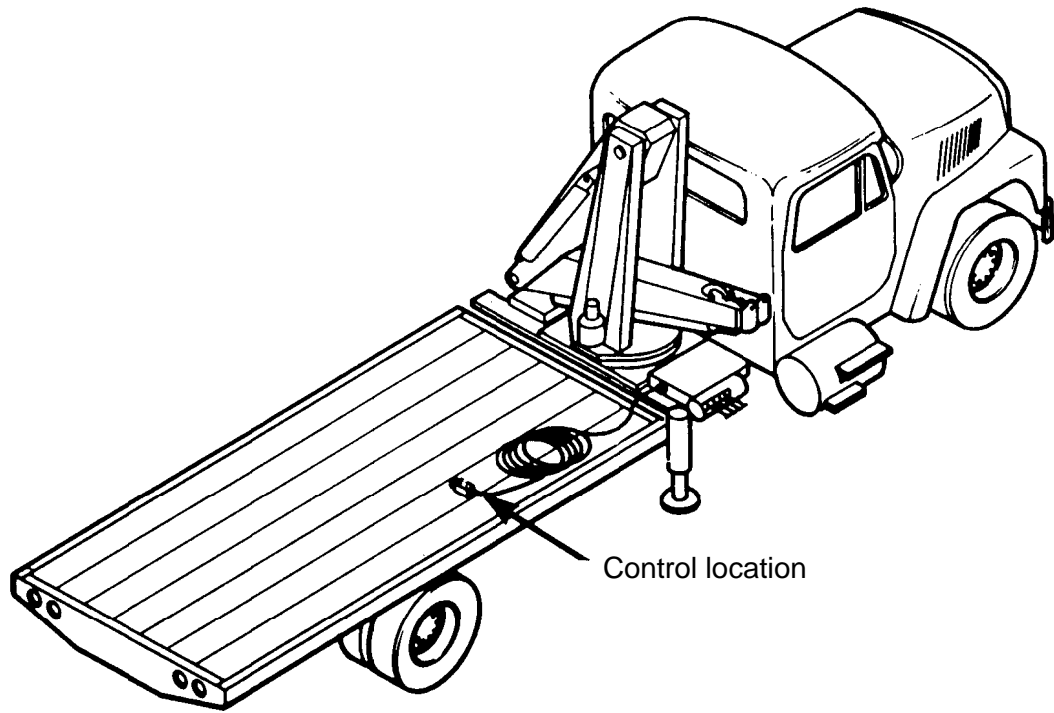
Wheel-mounted Crane Telescoping Hydraulic Boom (Multiple Control Station)



Wheel-mounted Crane Latticework Boom (Multiple Control Station)

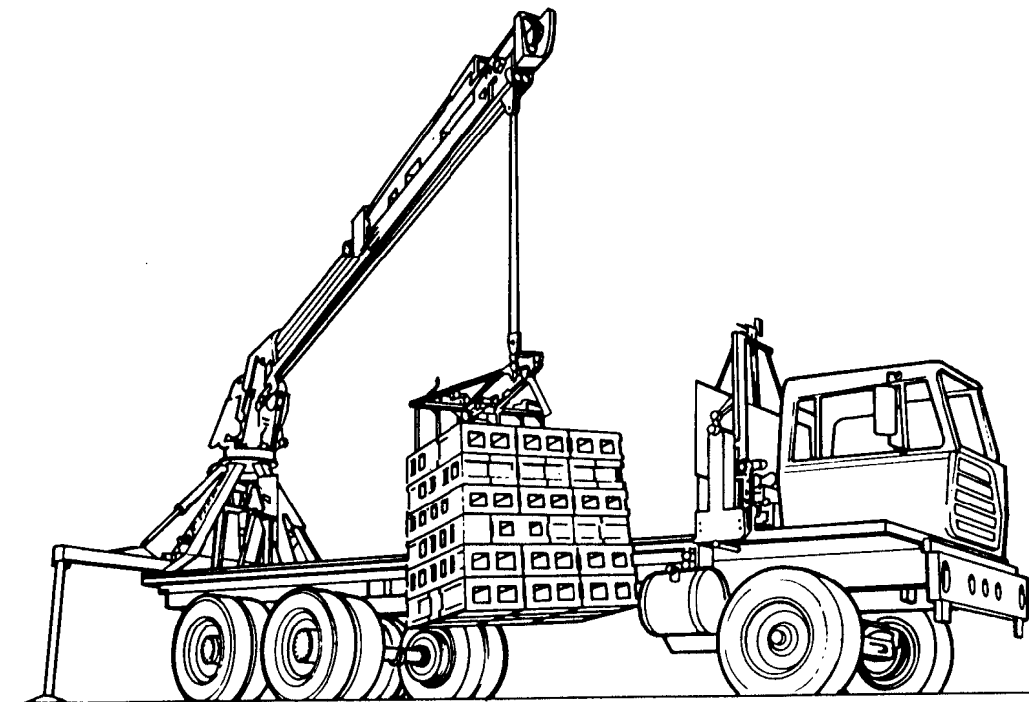


Commercial Truck-mounted Crane with Hydraulic Boom

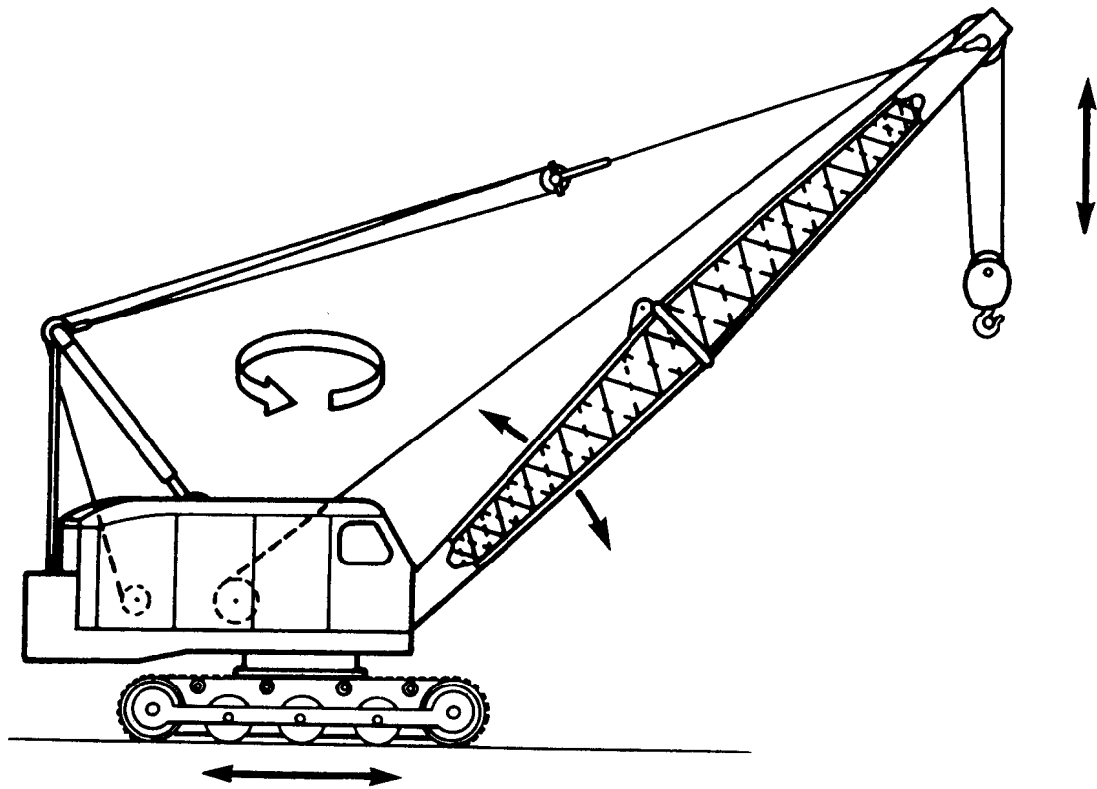


Control location

Commercial Truck-mounted Crane with Articulated Boom

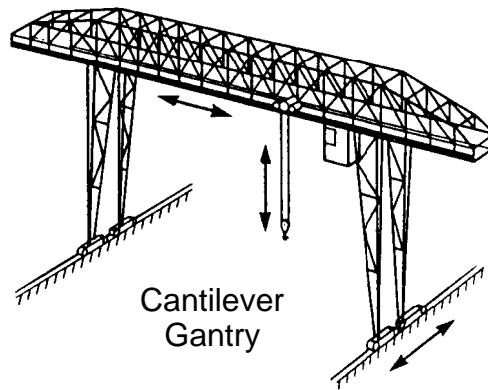
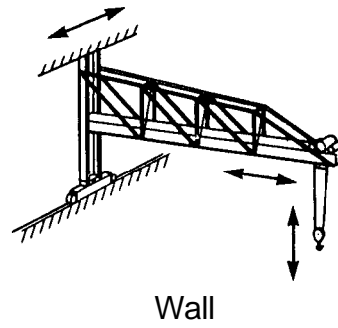
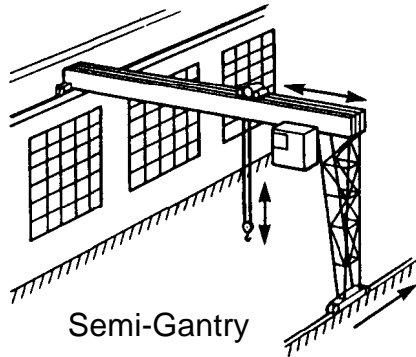
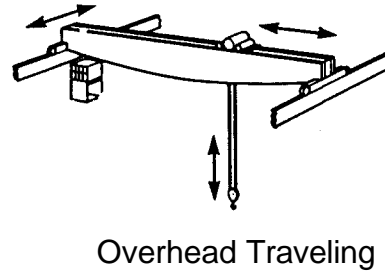
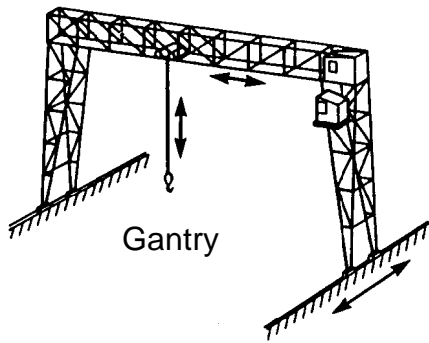


Commercial Truck-mounted Crane with Trolley Boom

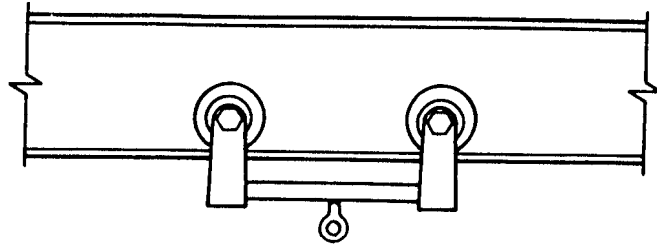


Crawler-mounted Latticework Boom Crane

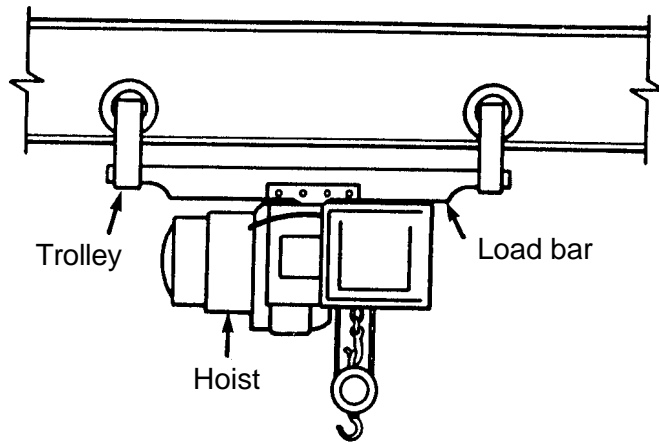
## Overhead Track-mounted Cranes



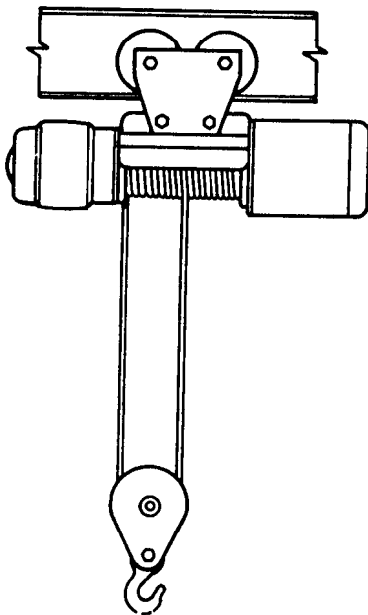
## Monorails and Underhung Cranes



Typical Monorail Carrier

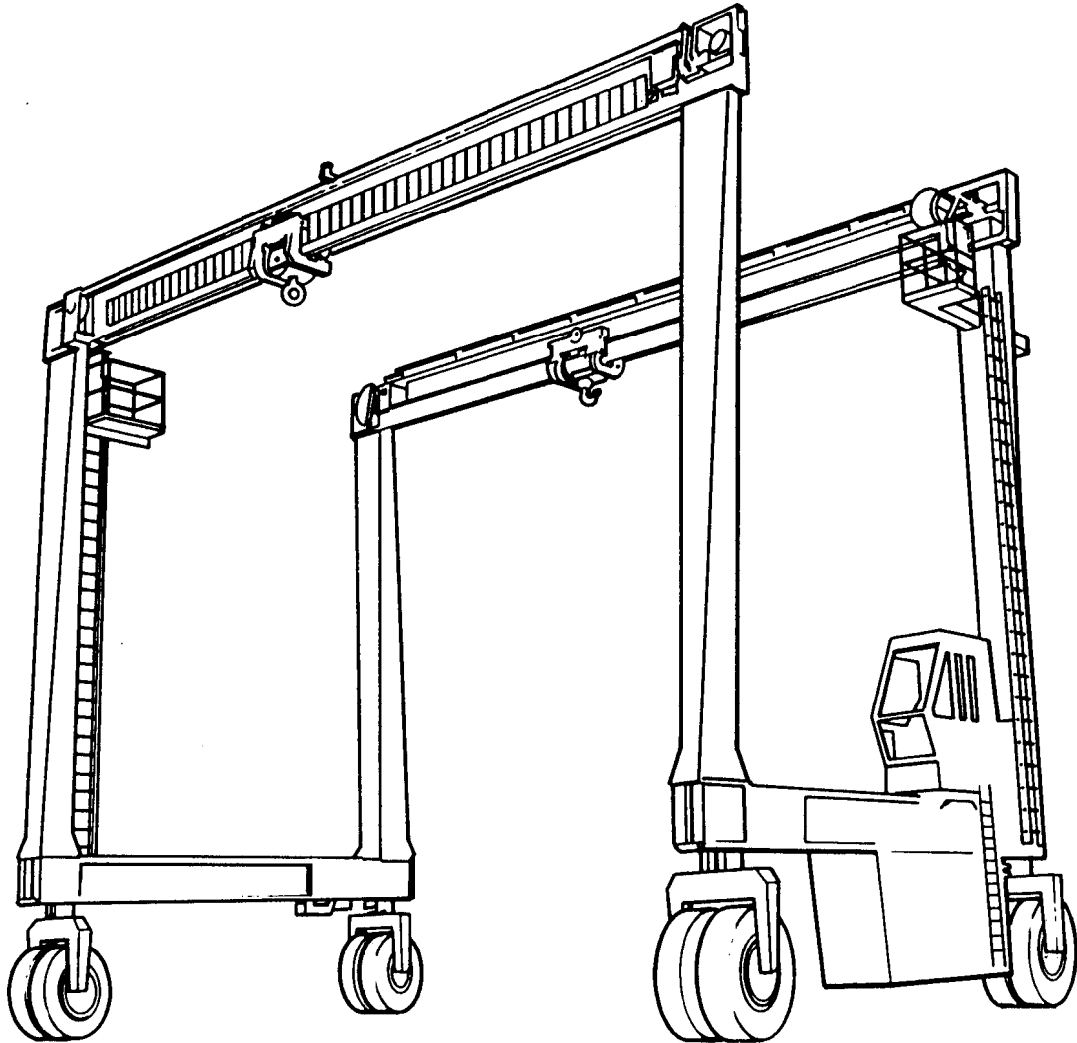


Power Operated Hoist

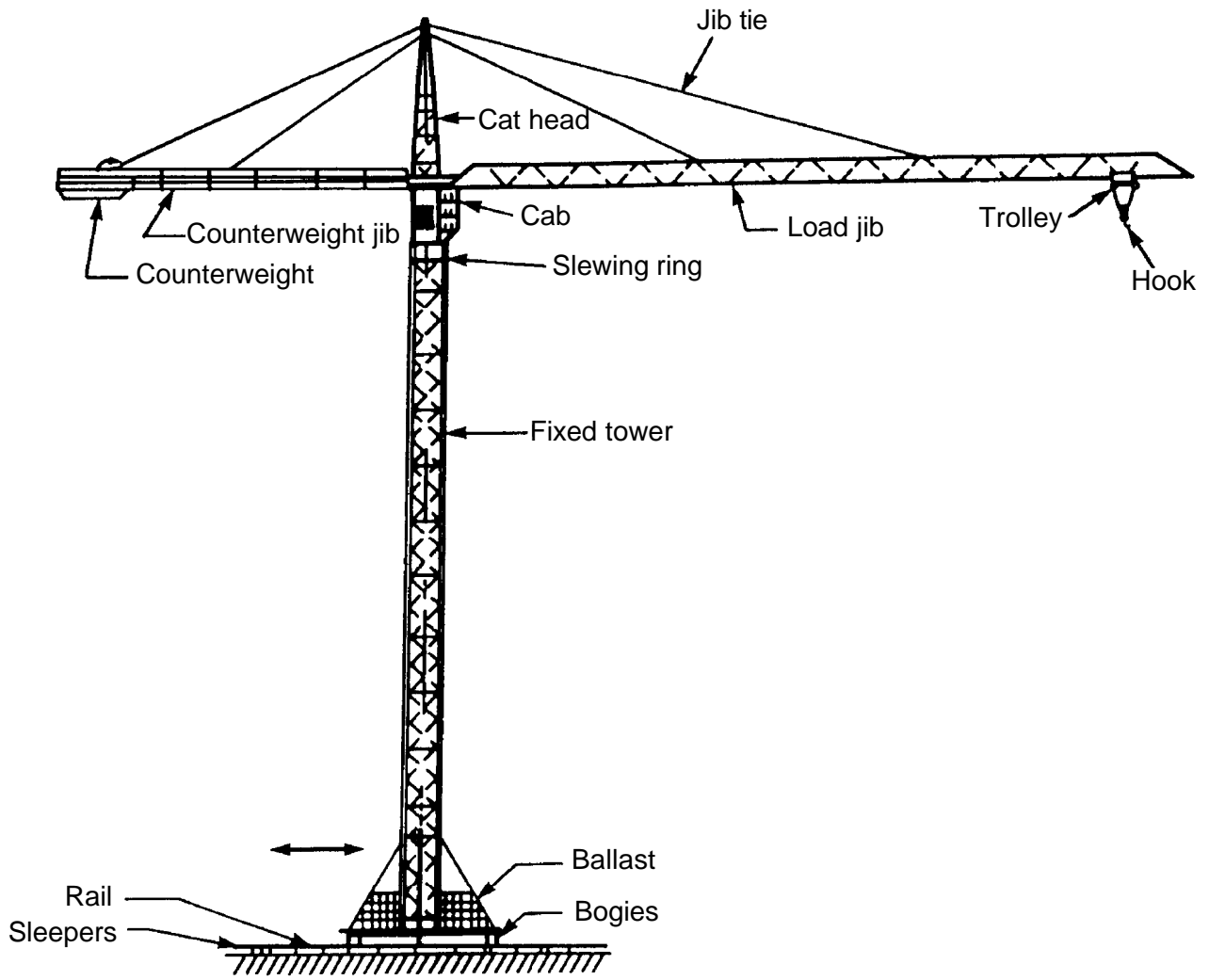


Electric Hoist with Plain  
Trolley on Standard I Beam

## Straddle Cranes



# Hammerhead Tower Cranes





Stiff-leg Derrick

