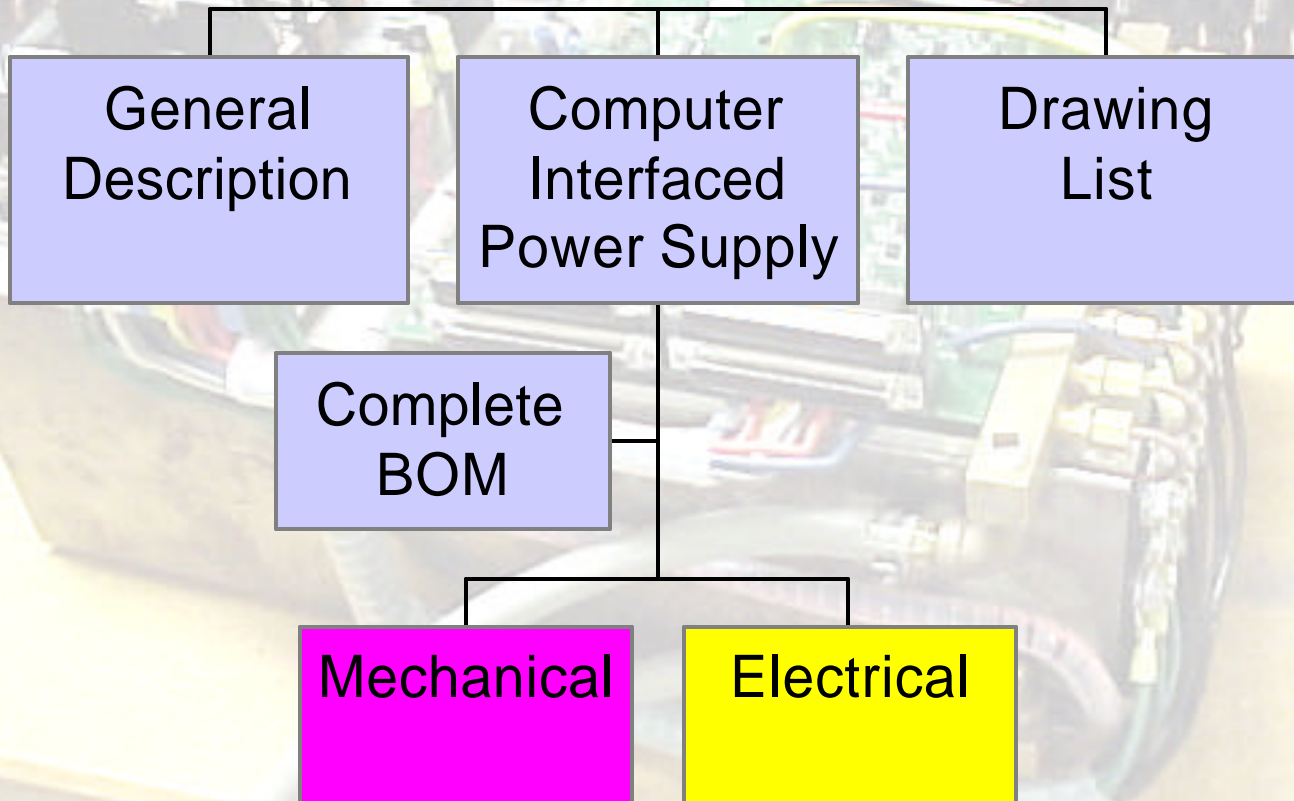
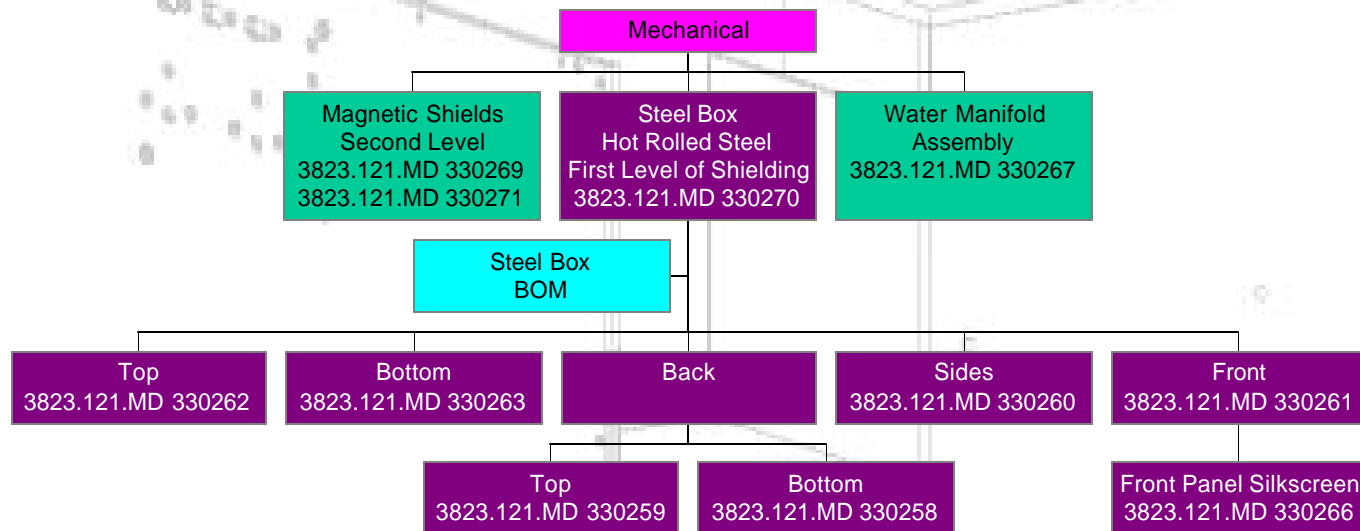


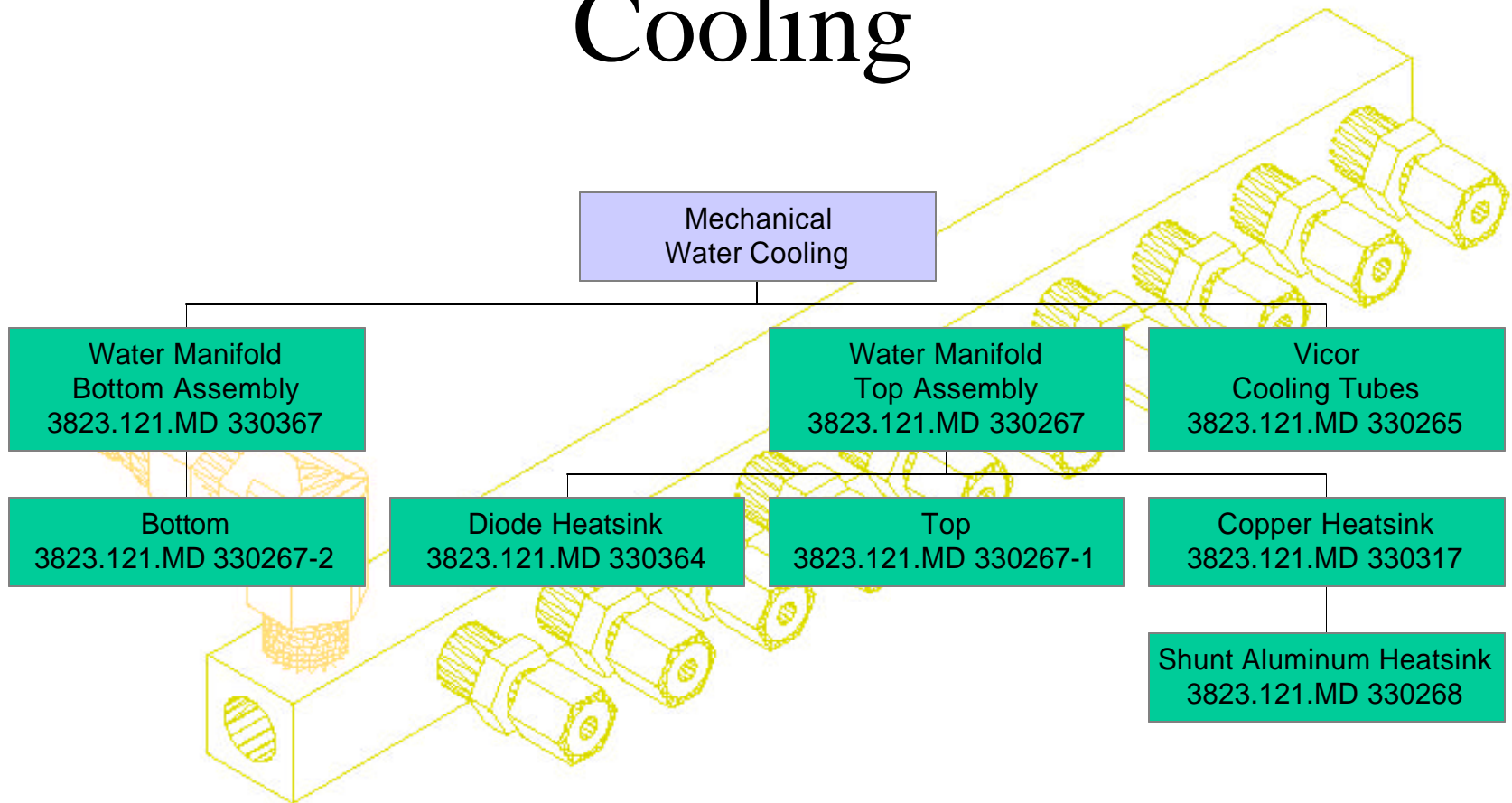
Preamp Power Supply



Mechanical



Cooling



Shielding

Mechanical

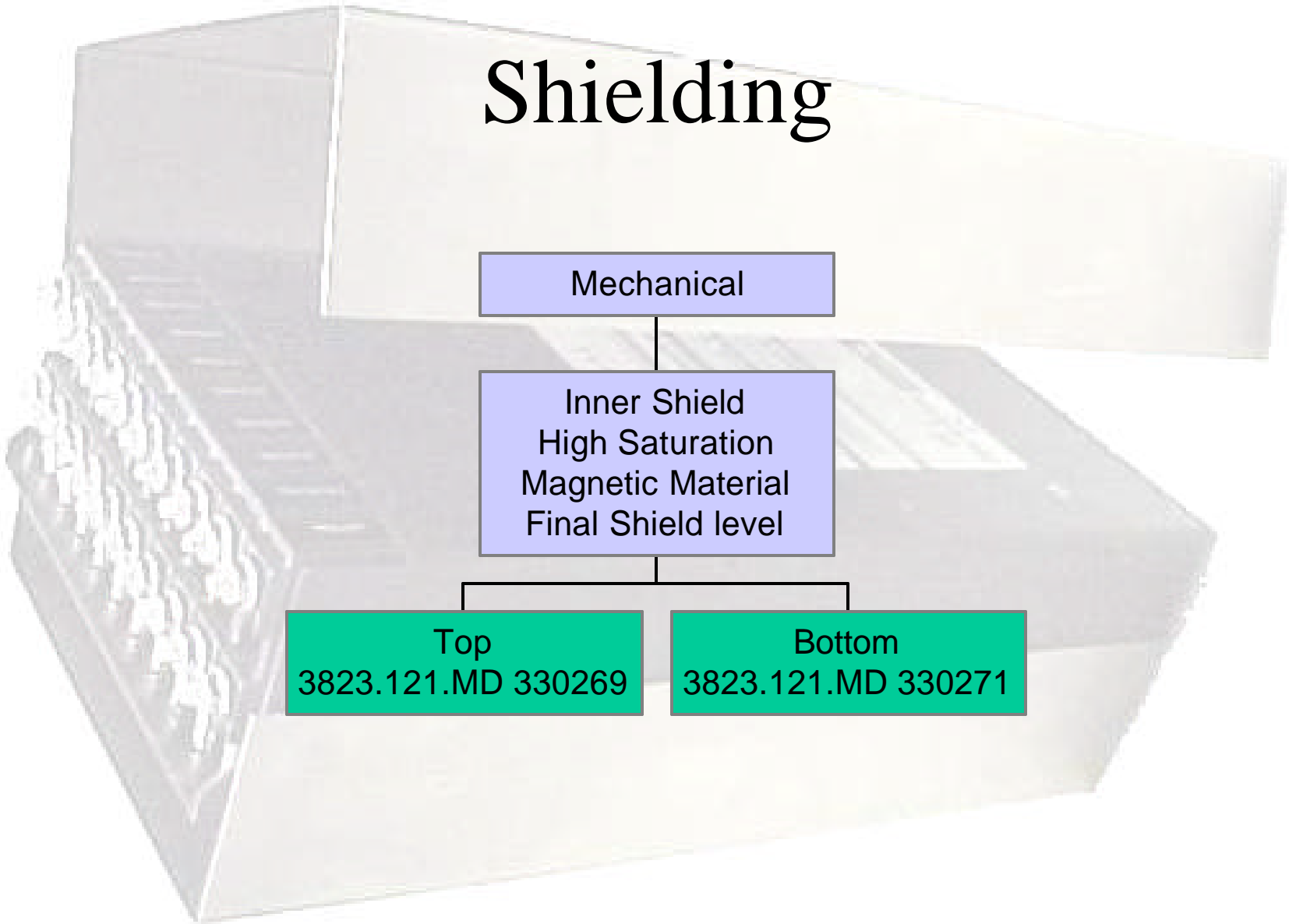
Inner Shield
High Saturation
Magnetic Material
Final Shield level

Top

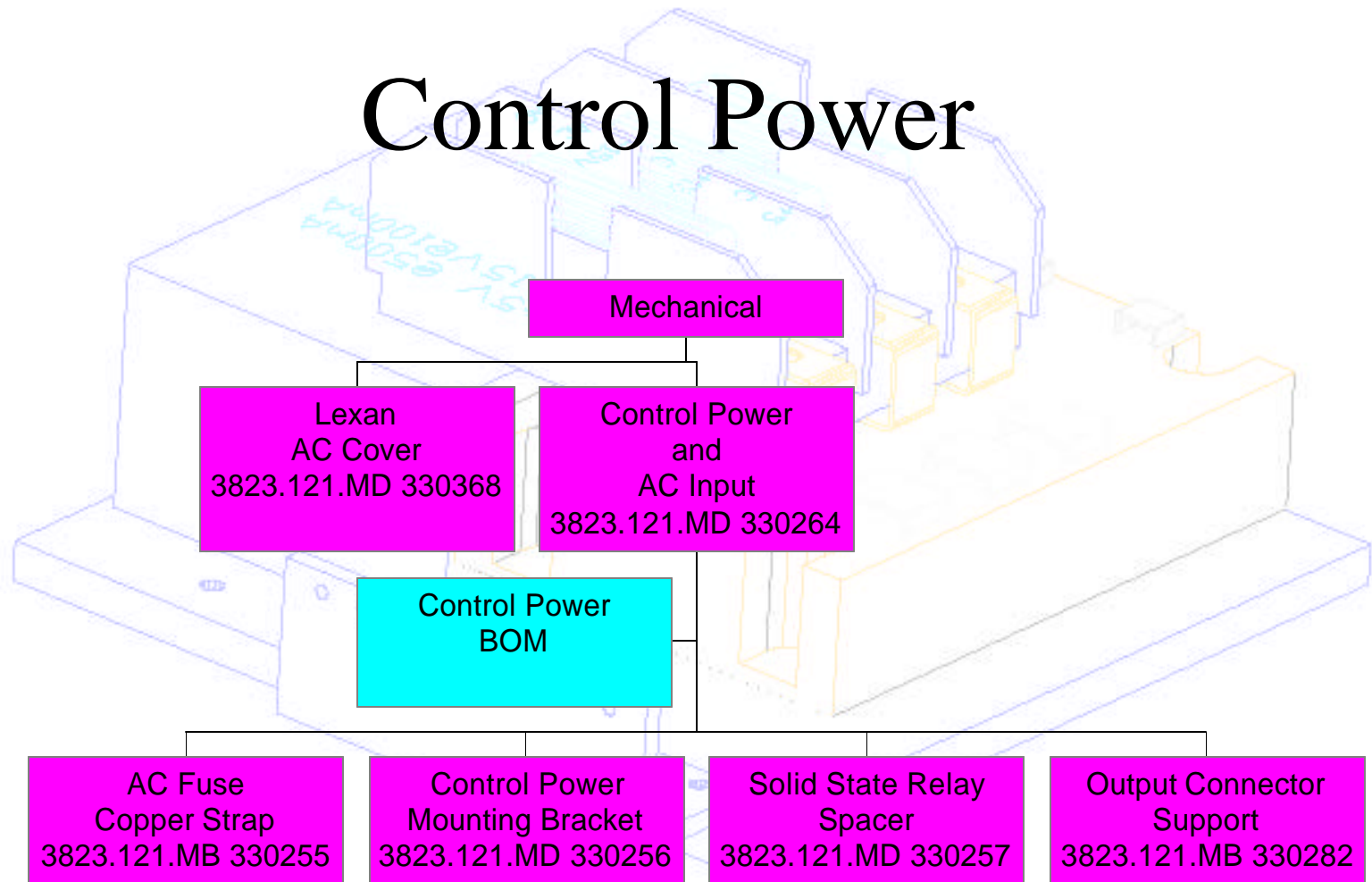
3823.121.MD 330269

Bottom

3823.121.MD 330271



Control Power



Electrical

