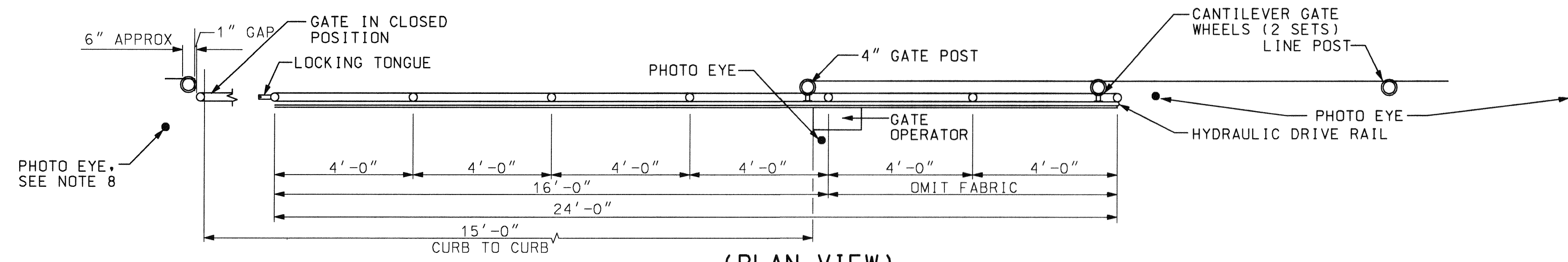
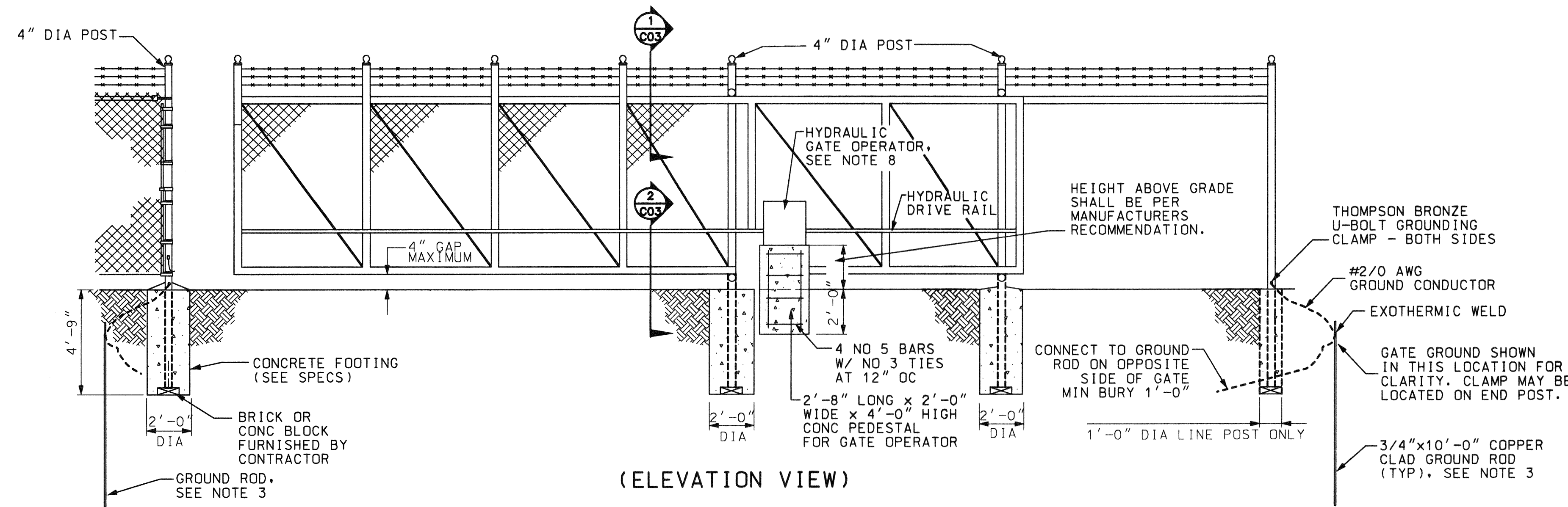


**NOTES**

1. ALL UNDERGROUND FENCE CONNECTIONS SHALL BE EXOTHERMIC.
2. BI-METALLIC CONNECTOR SHALL BE TIN-PLATED WITH TIN-PLATED SPACER IN ORDER TO ELIMINATE DISSIMILAR METAL CORROSION.
3. GROUND RODS SHALL BE COPPER OR COPPER CLAD. MINIMUM OF 10' IN LENGTH AND MINIMUM OF 3/4" IN DIAMETER. CLADDING ON COPPER CLAD ROD SHALL BE 1/100TH INCH OR GREATER. ROD TO BE DRIVEN TO A DEPTH OF 1'-0" MIN. SEE SPECIFICATIONS.
4. SLIDING GATES - LENGTH TO BE SITE SPECIFIC. OVERALL HEIGHT = 8', 7' FABRIC PLUS 1' (3 STRANDS) BARBED WIRE. GATE FENCE SHOULD BE SCHEDULE 40 ALUMINUM WITH WELDED CONNECTIONS.
5. FOUNDATIONS SHALL BE PER GATE MANUFACTURER'S REQUIREMENTS BUT NOT LESS THAN SHOWN ON SO-D-100706-C04.
6. PROVIDE ADDITIONAL POST AND FOUNDATIONS PER MANUFACTURER'S REQUIREMENTS.
7. COORDINATE INSTALLATION WITH GATE OPERATOR EQUIPMENT. **CONTRACTOR TO VERIFY VOLTAGE AVAILABLE FOR GATE OPERATOR.**
8. HEAVY-DUTY HYDRAULIC SLIDE GATE OPERATOR, HY-SECURITY MODEL 222EX (OR EQUAL) 208/277V, 2 HP, 2 FEET/SECOND RATE OF TRAVEL WITH SOFT START, SOFT STOP, AND SMART TOUCH CONTROLLER (SWITCH LOCATED NEAR CONTROLLER TO OPEN AND CLOSE GATE FROM INSIDE THE FENCED AREA); ADJUSTABLE CLOSING TIMER AND THE ABILITY TO LOCK THE GATE IN THE OPEN POSITION WHEN DESIRED. INSTALLATION TO INCLUDE ALL UL235 STANDARDS AND APPURTENANCES (I.E., FREE EXIT LOOP EXIT GATE ONLY, PHOTO EYE DETECTORS - INFARED PHOTO SWITCH, EMX MODEL #IRB-4X OR EQUAL), ONE TO TRANSMIT AND ONE TO RECEIVE SIGNAL (FOUR PER GATE) AND OBSTRUCTION LOOPS.
9. THE CONTRACTOR IS REQUIRED TO SUBMIT FABRICATION DRAWINGS FOR ALL GATES AND GATE ACCESSORIES PROVIDED. NO SHOP FABRICATION OR INSTALLATION WILL COMMENCE WITHOUT APPROVED FABRICATION (SHOP) DRAWINGS.

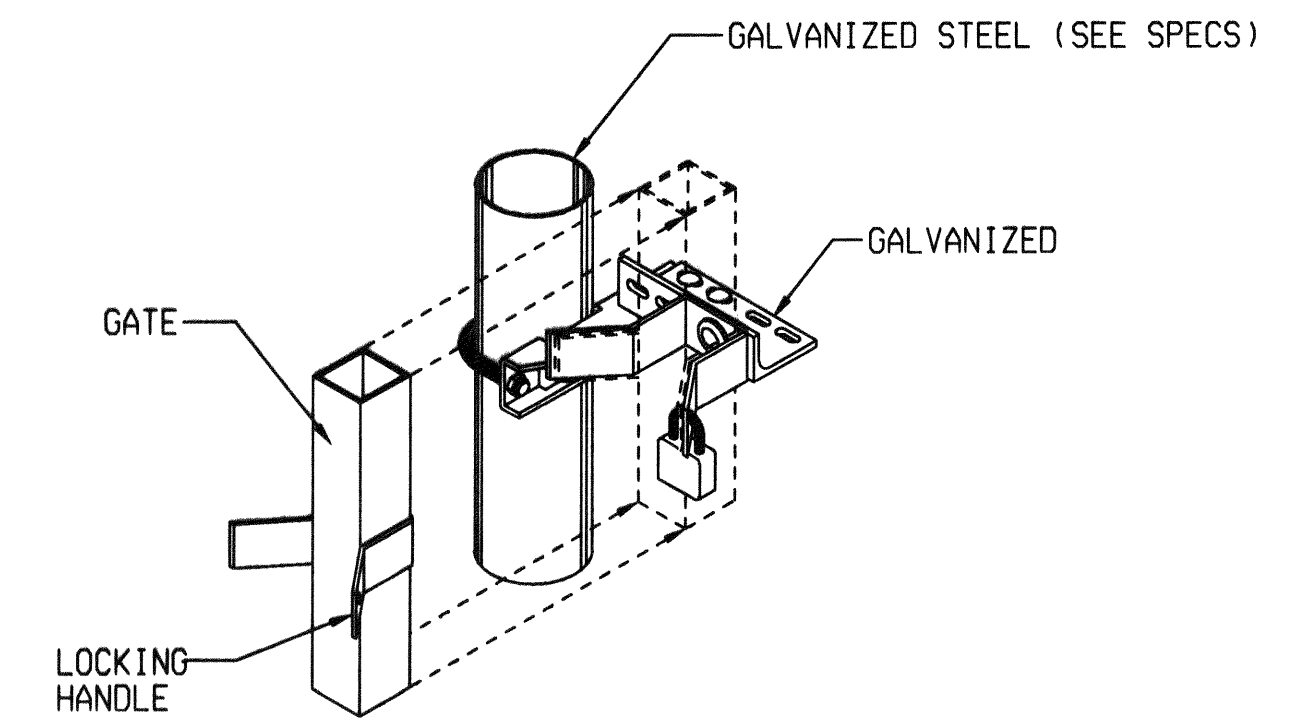


(PLAN VIEW)



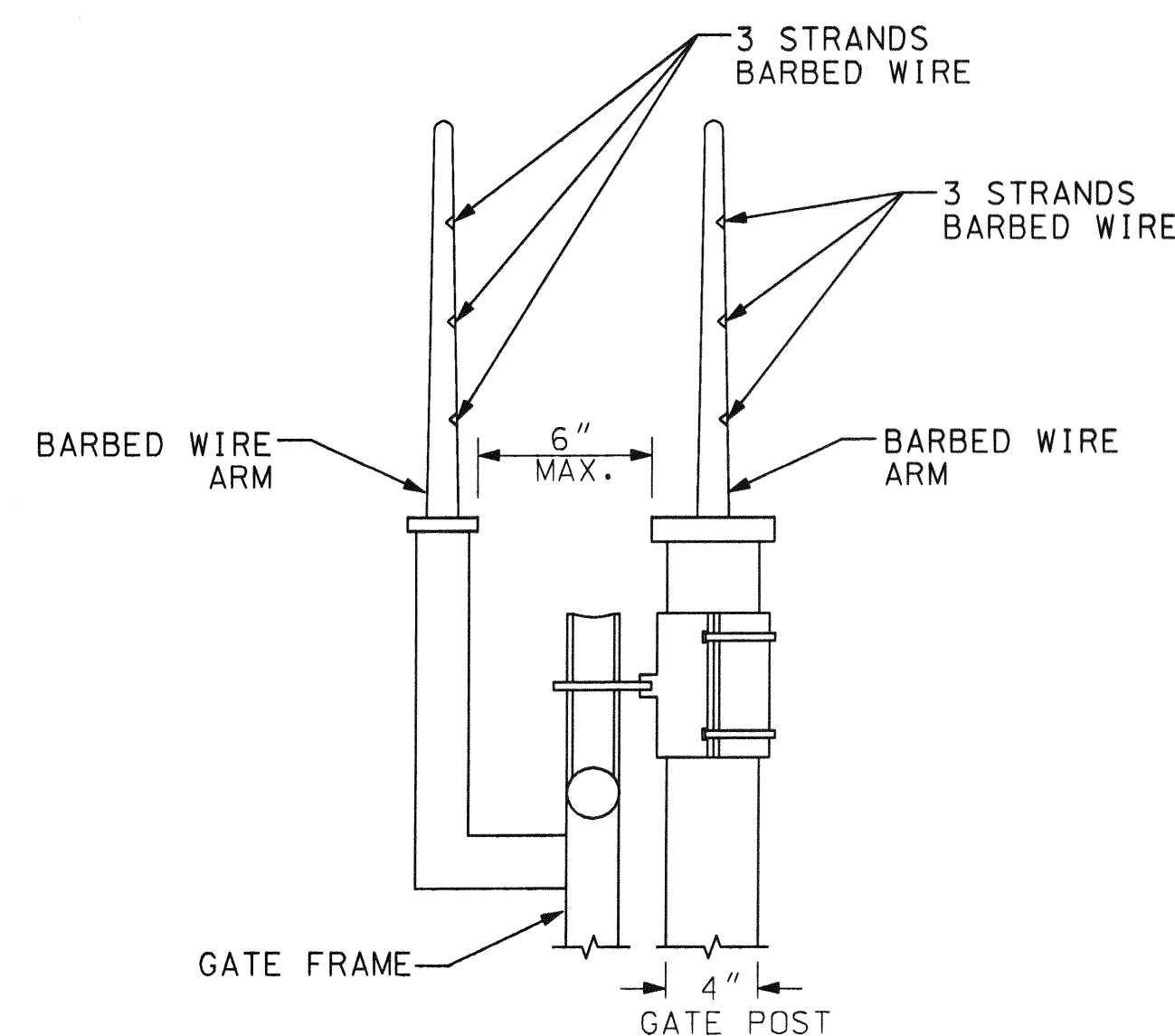
(ELEVATION VIEW)

**1 SLIDING GATE**  
C03 NOT TO SCALE



**4 CATCH ASSEMBLY DETAIL**  
C03 NOT TO SCALE

WHEN INSTALLING PED GATE ADJACENT SLIDING GATE, INSTALL END POST (4" DIA) TO FACILITATE CLEARANCE OF CABLE ASSEMBLY.



**2 OFFSET FOR BARBED WIRE AT GATE**  
C03 NOT TO SCALE

\*SCH 40, 2.87500, .203 WALL THICKNESS

G	09/02/2004	ENGINEERING REVISION	BH	CMF	DJA
F	10/21/2003	ENGINEER REVISION	CB	CMF	DJA
E	07/14/2003	ENGINEER REVISIONS	MDS	CMF	DJA
REV. LTR.	DATE	DESCRIPTION	CHECKED	APPROVED	

DEPARTMENT OF TRANSPORTATION  
**FEDERAL AVIATION ADMINISTRATION**  
SOUTHERN REGION ATLANTA, GEORGIA 30320

<b>FAA CONSTRUCTION STANDARDS SLIDING GATE DETAIL</b>	
STANDARD	(STD) SO
REVIEWED BY	APPROVED BY (ORIGINAL SIGNED BY)
DESIGNED BY	DATE
DRAWN BY	ISSUED BY
CHECKED BY	ATLANTA NAS IMPLEMENTATION CENTER
	SO-D-100706-C03
	G