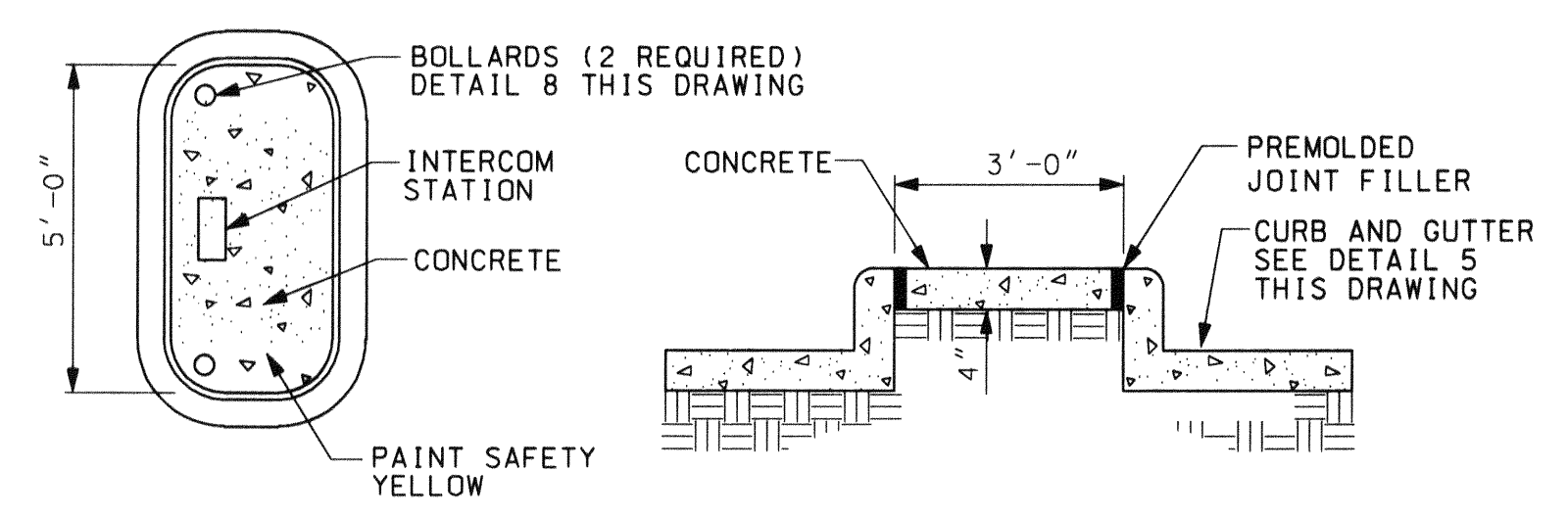
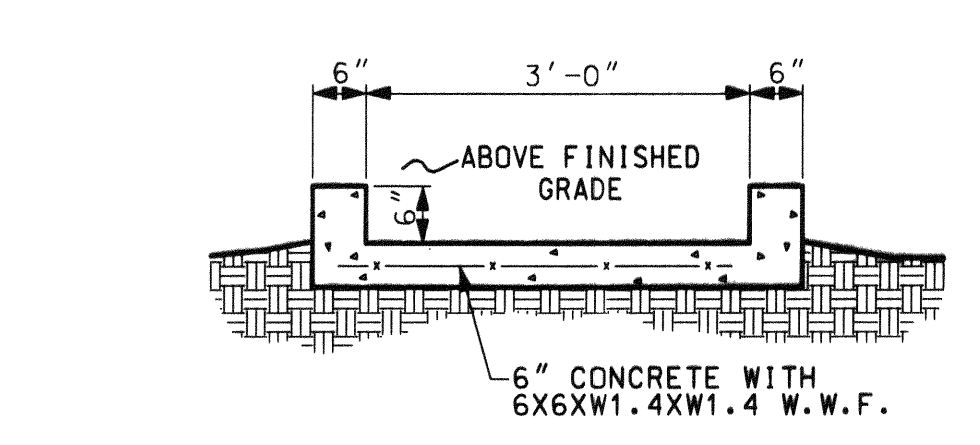


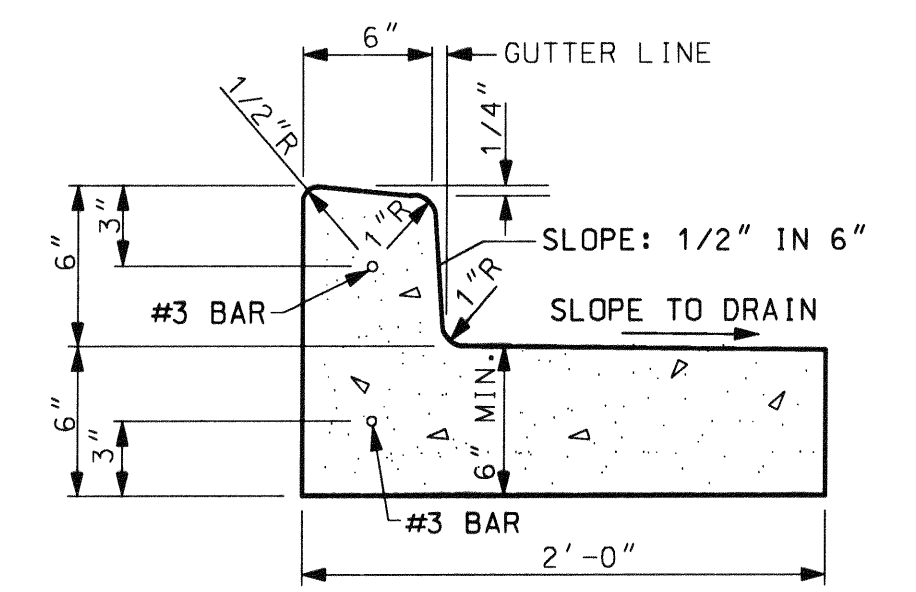
1 TYPICAL SLIDING GATE DETAIL
C04 NOT TO SCALE



3 DETAIL - TRAFFIC ISLAND
C04 NOT TO SCALE

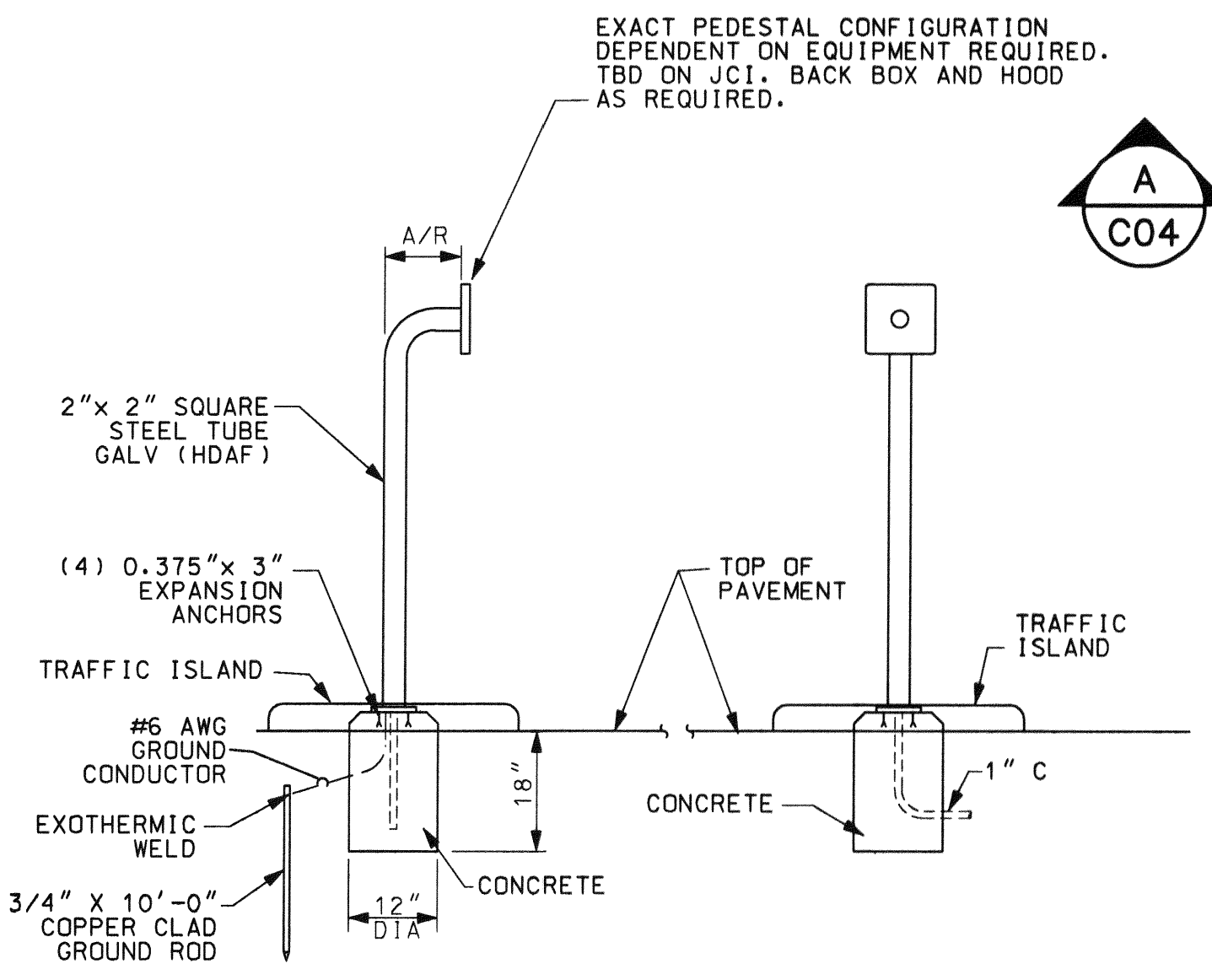


4 DETAIL - GATE POCKET
C04 NOT TO SCALE

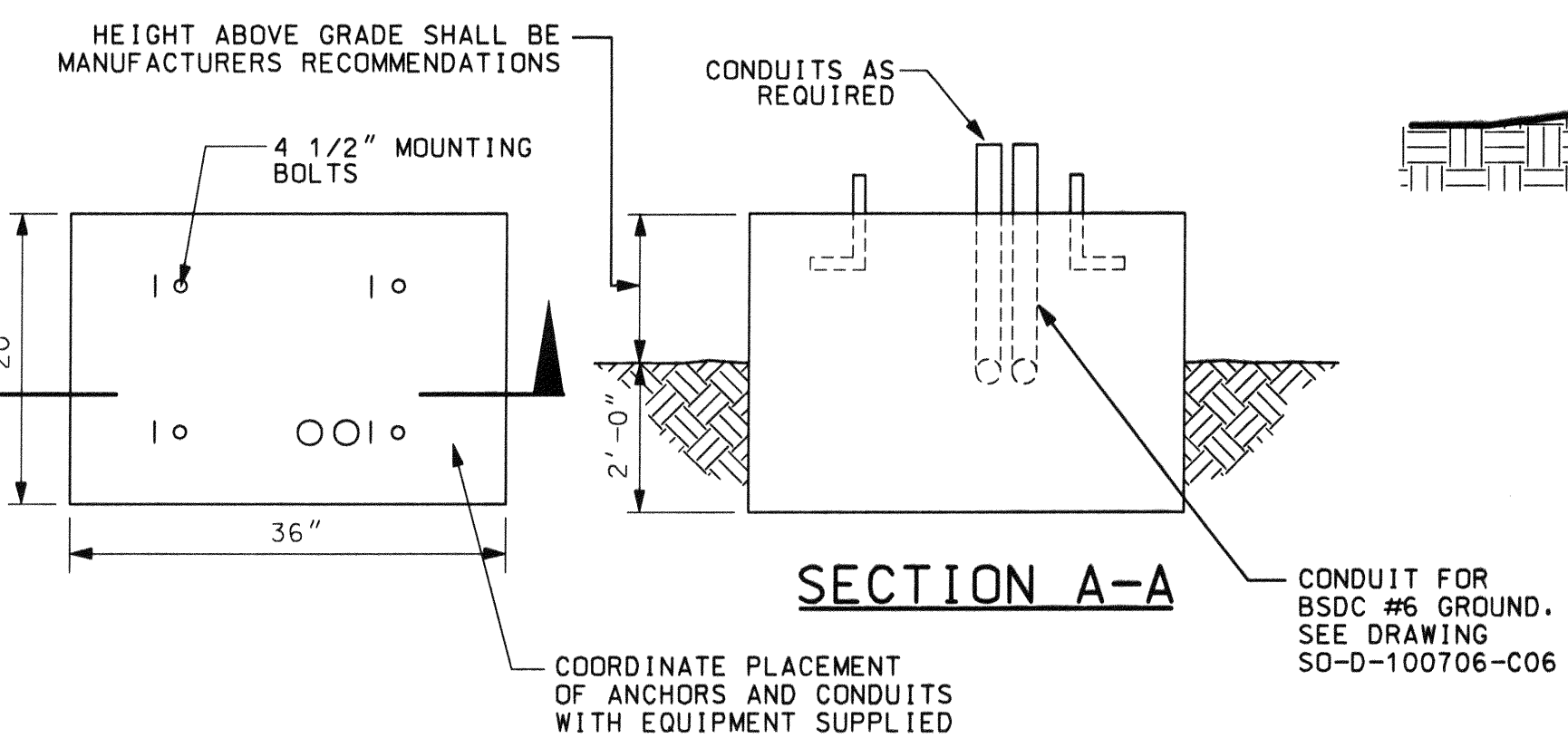


5 DETAIL - CONCRETE CURB AND GUTTER
C04 NOT TO SCALE

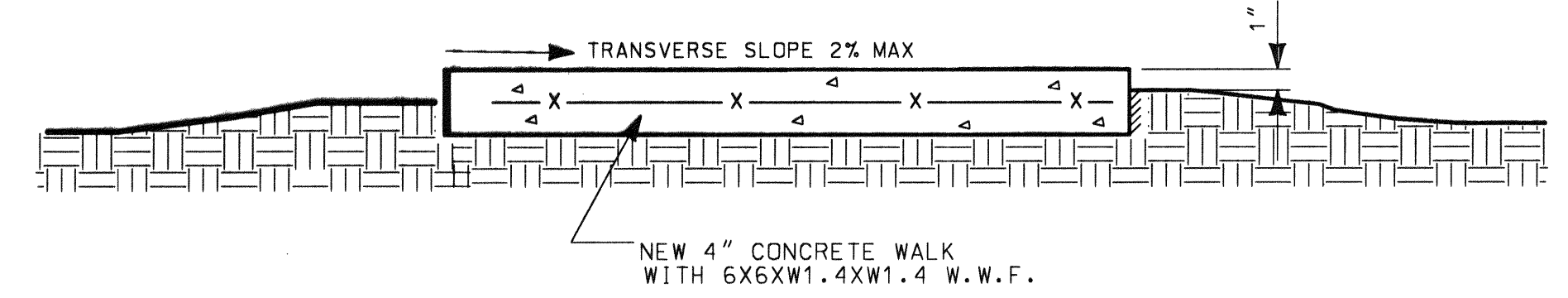
- NOTES**
- ANCHOR BOLTS SHALL BE PRE-FABRICATED AND FURNISHED BY THE POLE MANUFACTURER. ANCHOR BOLTS SHALL BE COORDINATED WITH AND TIES TO THE REINFORCING STEEL STRUCTURE.
 - SECURE ANCHOR BOLT COVER AFTER PLUMBING OF POLE AND COMPLETION OF INSTALLATION.
 - SEE PLANS FOR NUMBER OF BOLLARDS TO BE USED.
 - THE STEEL PIPE ABOVE GROUND SHALL BE PAINTED A MINIMUM OF TWO FIELD COATS OF RED LEAD OR ZINC CHROMATE PRIMER.
 - TWO FINISH COATS SHALL BE USED ON THE BOLLARDS. COLOR SHALL BE SAFETY YELLOW.
 - ALL EXTERIOR HARDWARE SHALL BE GALVANIZED OR STAINLESS STEEL.
 - CABLES RUN UNDER DRIVEWAYS, PARKING AND OTHER SIMILAR AREAS SHALL BE INSTALLED BY CUT AND PATCH AND INSTALLED IN DUCTBANK PER FAA STD 71 SECTION 3.6, DETAIL 3. NUMBER AND SIZE OF CONDUITS AS REQUIRED FOR EQUIPMENT INSTALLED.
 - ALL CONCRETE SHALL BE 3000 PSI COMPRESSIVE STRENGTH.



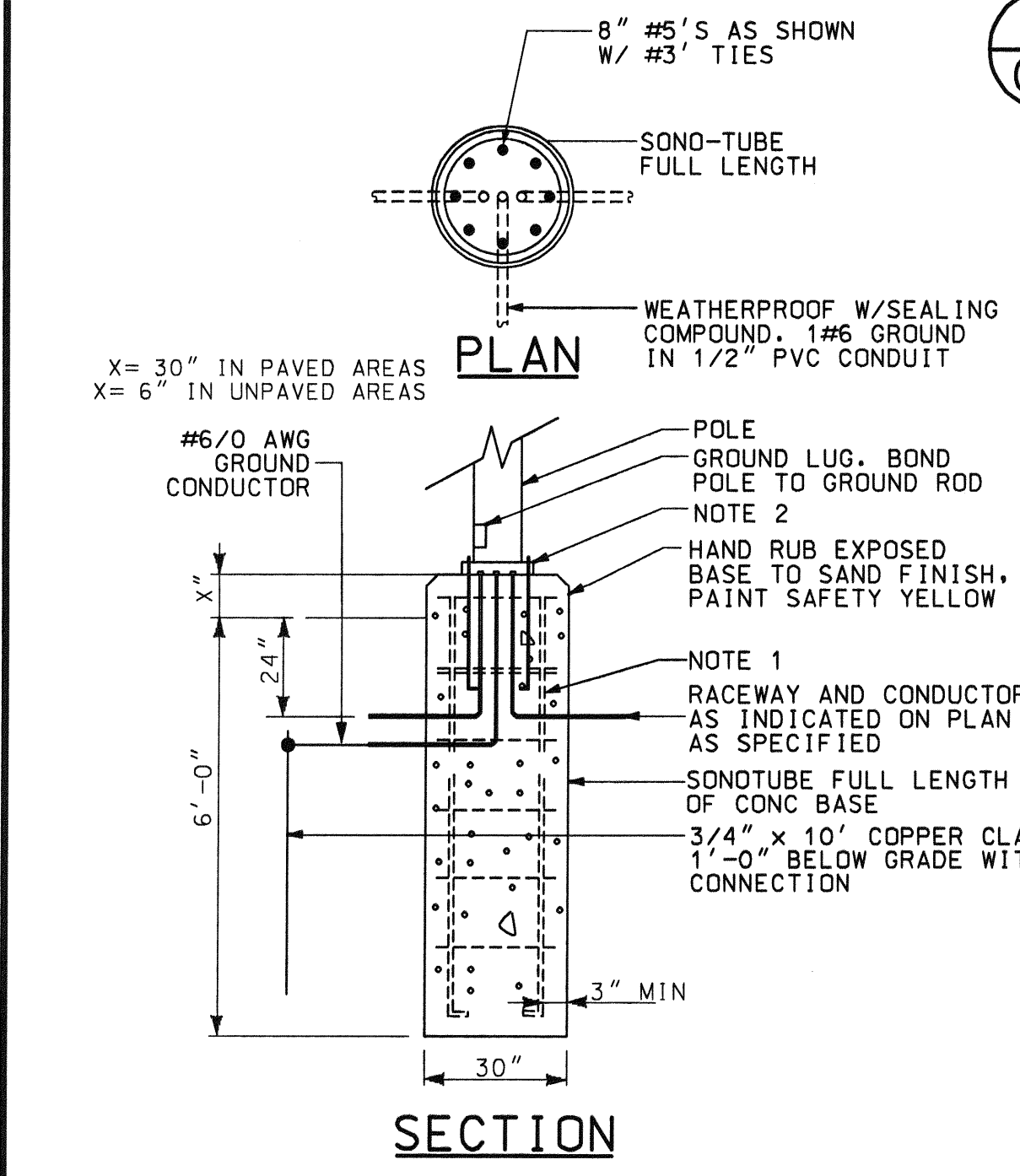
2 DETAIL - INTERCOM/CCTV/ACCESS CONTROL STATION PATHWAY
C04 NOT TO SCALE



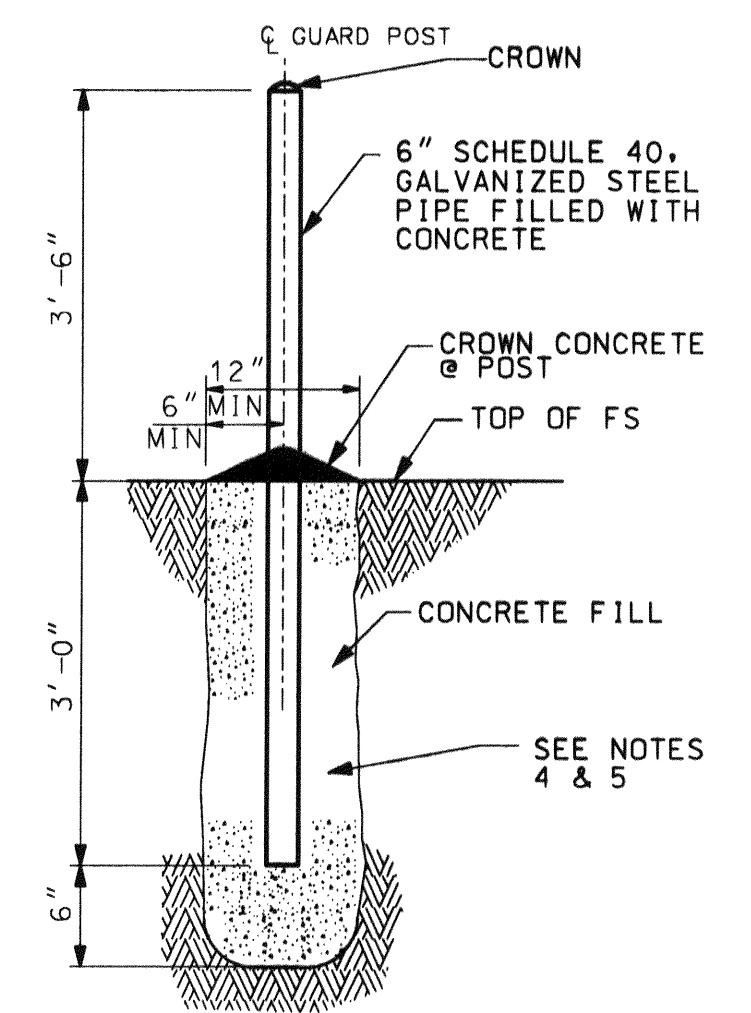
6 DETAIL - GATE OPERATOR PAD
C04 NOT TO SCALE



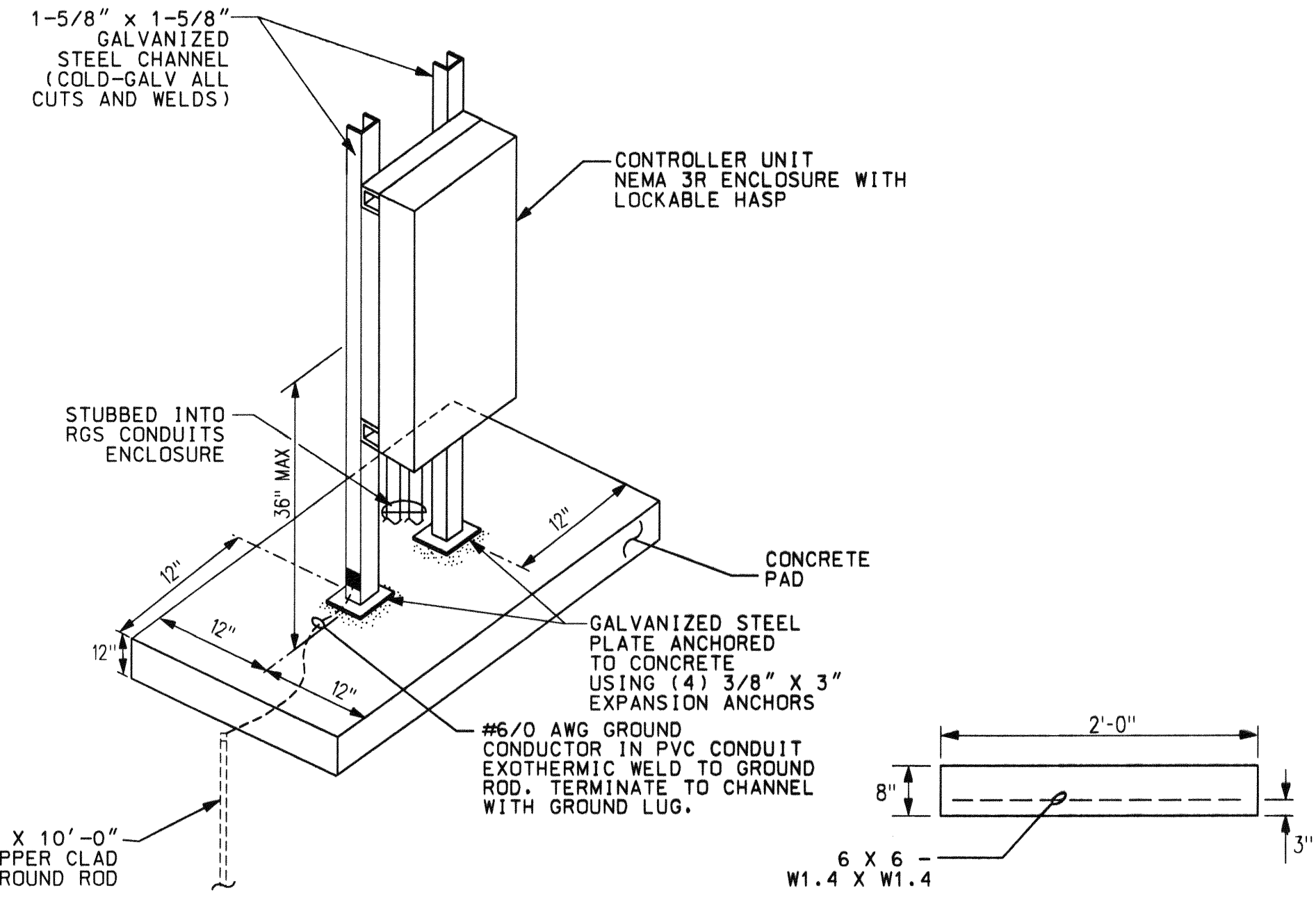
11 DETAIL - CONCRETE SIDEWALK
C04 NOT TO SCALE



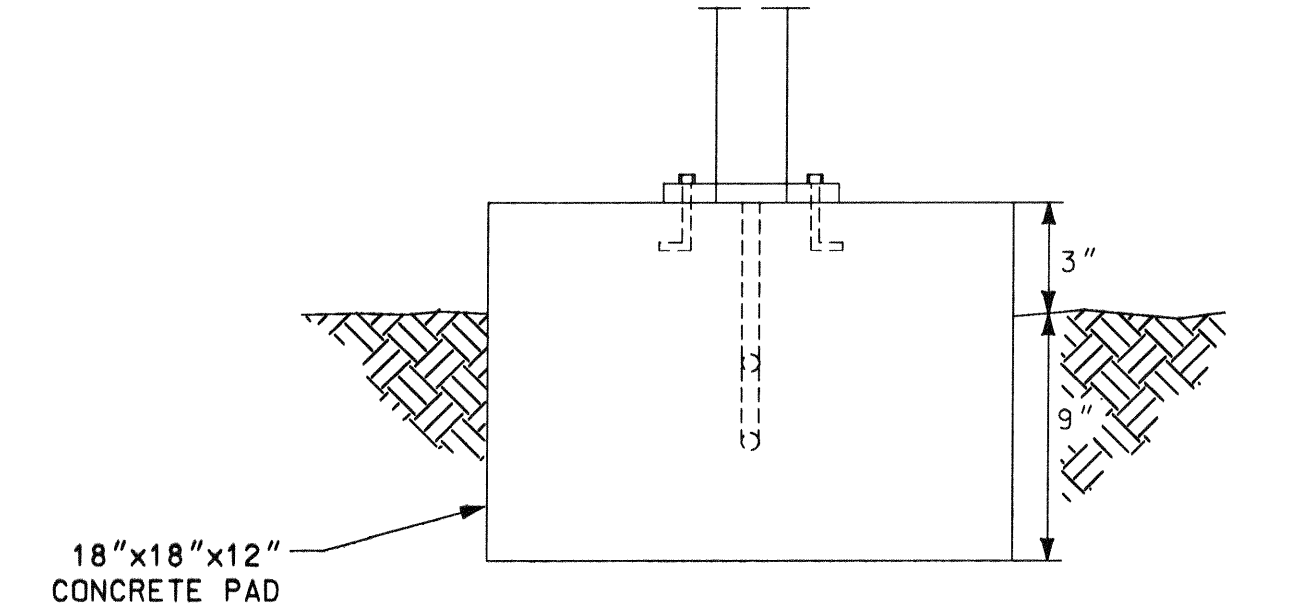
7 CONCRETE BASE DETAIL
C04 NOT TO SCALE



8 BOLLARD DETAIL
C04 NOT TO SCALE



9 EXTERIOR TERMINAL CONTROLLER INSTALLATION
C04 NOT TO SCALE



10 DETAIL - ACCESS CONTROL PAD OPTION W/OUT TRAFFIC ISLAND
C04 NOT TO SCALE

NOTE: PAD, CONDUITS, AND EMBEDMENTS SHALL MEET SPECIFIC REQUIREMENTS OF EQUIPMENT SUPPLIER

REV. LTR.	DATE	DESCRIPTION	CHECKED	APPROVED
E	09/03/2004	ENGINEERING REVISIONS	BH	CWP
D	10/21/2003	ENGINEERING REVISIONS	CB	CWF DJA
C	07/14/2003	ENGINEERING REVISIONS	MDS	CWF DJA

DEPARTMENT OF TRANSPORTATION FEDERAL AVIATION ADMINISTRATION	
SOUTHERN REGION	ATLANTA, GEORGIA 30320
FAA CONSTRUCTION STANDARDS CONCRETE DETAILS	
STANDARD (STD) SO	
REVIEWED BY	APPROVED BY (ORIGINAL SIGNED BY)
DESIGNED BY	MANAGER, INFRASTRUCTURE PLATFORM
ISSUED BY	DATE - 06-25-2002
DRAWN BY	DRAWING NO.
CHECKED BY	SO-D-100706-C04