

## **INTRODUCTORY NOTE**

This directory contains the names and addresses of physicians who are authorized to perform physical examinations and issue airman medical certificates for the Administrator of the Federal Aviation Administration. This 2008 edition follows the same format as previous editions, and contains updated Aviation Medical Examiner information compiled through Mar. 10, 2008. All International Aviation Medical Examiners (AMEs) are authorized to conduct airman physical examinations for First, Second, and Third Class Medical Certificates. In compliance with the provisions of Part 61 (13a) and Part 67 (Subpart A-67.12) of the Federal Aviation Regulations, International AMEs are not authorized to issue a combined Airman Medical and Student Pilot Certificate (FAA Form 8420-2) to a person who is neither a citizen nor a permanent resident of the United States. If an International AME sees a non U.S. citizen/resident alien who intends to come to the United States to learn to fly, the AME can perform a physical examination (Class I, II, or III) in order to determine if the applicant meets the aviation medical certification standards. If the applicant meets the standards, the International AME can issue a Medical Certificate (FAA Form 8500-9); however, he/she is not authorized to issue the Combined Medical and Student Pilot Certificate (FAA Form 8420-2).

Part 61 of the Code of Federal Regulations (Title 14) describes the various types of airman medical certificates issued by the FAA.

Part 67 of the Code of Federal Regulations (Title 14) describes the medical certification standards and certification procedures for airman medical certification.

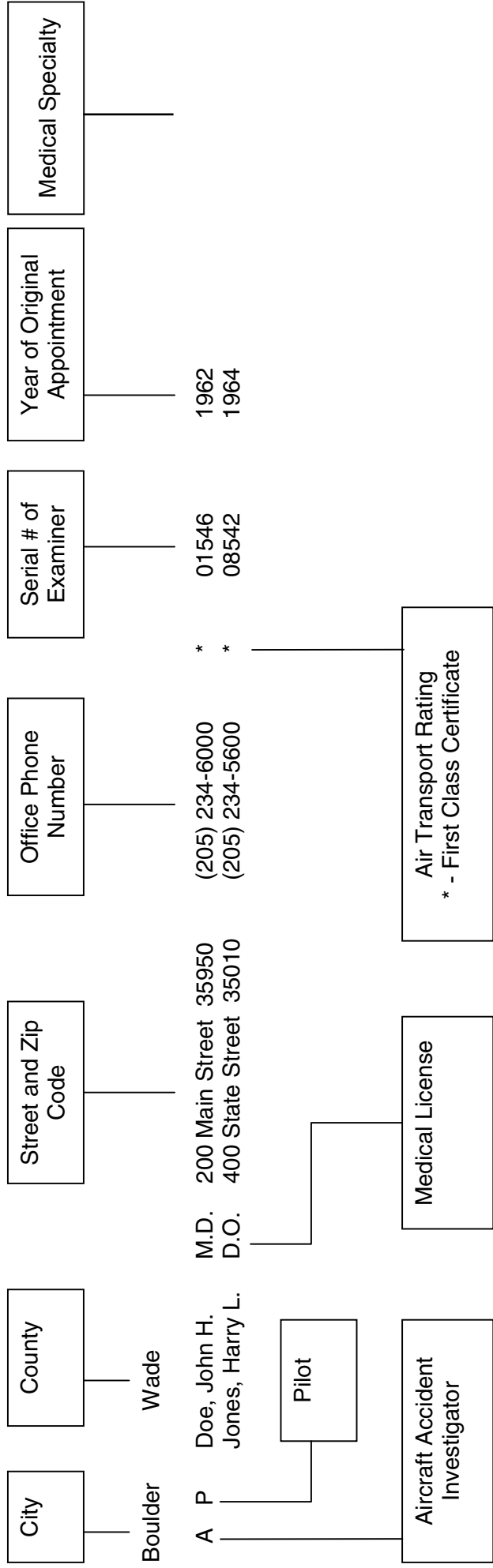
International physicians interested in obtaining designation as an FAA AME should request application forms from the FAA Regional Flight Surgeon.

## **INTERNATIONAL REGION**

Richard F. Jones, M.D.  
Manager, Aerospace Medical Education Division  
FAA, MMAC, CAMI, AAM-400  
P.O. Box 25082  
Oklahoma City, Oklahoma 73125-9944  
Telephone (405) 954-4832  
FAX (405) 954-8016  
e-mail: Richard.F.Jones@FAA.GOV

Appointments are based on the needs of the United States Government.

**FORMAT OF AVIATION MEDICAL EXAMINER DIRECTORY**



**You should make requests for changes or Corrections to your Regional Flight Surgeon.**

**ANTIGUA****SAINT JOHNS**

WILLIAMS, RODNEY E L LONG ST PO BOX 753 2684622156 \* 15718 1982 Family Practice/General Practice

**ARGENTINA****BUENOS AIRES**

KELLY, RAUL M 1631 JUNIN 2ND FL APT C 1113 541148034331 \* 15644 1978 Family Practice/General Practice

**ARUBA****SAN NICOLAAS**

BODERIE, EUGENIUS J M B V D VEEN ZEPPENFELDTSTRAA 51 PO BOX 2157 297845155 \* 15738 1983 Family Practice/General Practice

**AUSTRALIA****BUDERIM, QUEENSLAND**

P PARKER, HEATHER M THE ECKERSLEY MEDICAL CENTRE, 1 ECKERSLEY AVE 61754768411 \* 03200 2000 Aerospace Medicine  
4556

**DUNCRAIG**

LANEY, JOHN FRANCIS 3 TANDY COURT 6023 0892464009 \* 15831 1989 Family Practice/General Practice

**GRANGE QLD**

LAWSON, PETER M GRANGE CENTRAL MED PRACTICE, SHOP 5 THE GRANGE 61733567744 \* 01439 1990 Family Practice/General Practice  
PL 197 DAYS RD 4051

**QUEENSLAND**

CHAFFEY, GREIG P QUEENSLAND AVN MED CTR, 585 OLD CLEVELAND RD 61733988177 \* 03125 1999 Family Practice/General Practice  
CAMP HILL 4152

**ROSE BAY NSW 2029**

MITCHELL, ROBIN A. BOX 9 21 PLUMER RD 2029 061293447122 \* 15708 1981 Aerospace Medicine

**SYDNEY**

P MACLARN, GRAEME D 625 MILES ST BANKSTOWN ARPT, NSW 2200 61297905036 \* 01580 1991 Aerospace Medicine

**SYDNEY, NSW**

P ENGLISH, TERENCE M LEVEL 5 SUITE 5 NO 3 SPRING ST 2000 610292412148 \* 15769 1985 Aerospace Medicine

**AUSTRIA****GRAZ**

P AUER, THOMAS KOERBLERGASSE 42 - SANATORIUM HANSA A8010 4331636000 \* 03172 1999 Aerospace Medicine

**INNSBRUCK**

P WYKPIEL, HEINZ F ANDREAS HOFERSTR 4-4 A 6020 512282511 \* 15612 1977 Aerospace Medicine

WYKPIEL JR, HEINZ F. K UNIV. HOSPITAL OF INNSBRUCK, DEPT OF SURGERY 43512574384 \* 03263 2003 General Surgery  
ANICHSTRASSE #35 A6020

**SALZBURG**

P KOPP, MICHAEL F 10A FUERSTENALLEE A5020 43662834256 \* 01585 1991 Radiology

**VIENNA**

P SCHOBER, BERNHARD 1210 WEIN FREYTAGASSE 6 A1210 4312713328 \* 02636 1993 Aerospace Medicine

P HUSEK, CHRISTIAN W. RUDOLF ZELLER-GASSE 4-8/2/2 A1230 4318898181 \* 02899 1994 Family Practice/General Practice

P STIEDL, JOHANNES DOEBLINGER HAUPTSTRASSE 95 A1190 4313692194 \* 02609 1992 Family Practice/General Practice

**BAHAMAS****FREEPORT**

P CLEMENT, R. JOHN IMMUNOLOGY RESEARCH CENTRE, PO BOX 42617 2423527455 \* 02887 1994 Family Practice/General Practice

**NASSAU**

HANNA-HENNIS, CHERIL CHESAPEAKE COMPREHENSIVE CARE, 46 JEROME 2423948714 \* 03239 2001 Internal Medicine  
AVENUE PO BOX SP-60604

INGRAHAM, MICHAEL J HARBOUR BAY SHOPPING PLAZA, E BAY ST IN THE GNC 2423948866 \* 03238 2001 Family Practice/General Practice  
STORE LYFORD CAY PO BOX N7776

**BAHRAIN****MANAMA**

P	AL SAFAR, NADER AHME	MEDICAL CARE CENTRE, PO BOX 20264	973710066	*	02627	1992	Aerospace Medicine
P	AL TARAIF, JAFFAR A	IBN ALNAFEES HOSPITAL, PO BOX 54533 BLDG 63 ROAD 3302 333	973828203	*	15815	1988	Aerospace Medicine

**BELGIUM****ANTWERPEN**

P	VERTENTEN, ERIK O	FRUITHOFLAAN 122/113 B2600	3234482131	*	02886	1994	Internal Medicine
---	-------------------	----------------------------	------------	---	-------	------	-------------------

**CHARLEROI**

P	DELFORGE, MARC R.	BOULEVARD JOSEPH II NO. 2/6 B6000	3271304860	*	03028	1997	Internal Medicine
---	-------------------	-----------------------------------	------------	---	-------	------	-------------------

**HALLE**

	VANDENBOSCH, PAUL	LORIESSTRAAT, 44 B 1500	3223564029	*	02961	1996	Aerospace Medicine
--	-------------------	-------------------------	------------	---	-------	------	--------------------

**KORTENBERG**

P	DE VUSSER, MARC J	WIPSTRAAT 19 B3070	3227595121	*	15714	1982	Occupational/Industrial Medicine
---	-------------------	--------------------	------------	---	-------	------	----------------------------------

**ZAVENTEM**

	MEURIS, BRIGITTE C	SABENA FLIGHT ACADEMY, MEDICAL DEPT BLDG 26 BRUSSEL NAT'L AIRPORT 1930	3224162274	*	02997	1997	Aerospace Medicine
--	--------------------	--	------------	---	-------	------	--------------------

**BELIZE****BELIZE CITY**

P	SCHELONKA, EDWARD P	1955 MERCY LANE	5012230344	*	17796	1983	Family Practice/General Practice
---	---------------------	-----------------	------------	---	-------	------	----------------------------------

**BERMUDA****ST GEORGE'S**

	HOEFERT, MONICA E	13 WATER ST GEBX	4412970068	*	03349	2005	Family Practice/General Practice
--	-------------------	------------------	------------	---	-------	------	----------------------------------

**BRAZIL****RIO DE JANEIRO**

	SUTMOLLER, FRITS	RUA VISCONDE DE PIRAJA 414/ RM 801-2 IPANEMA 22410002	552125212232	*	01455	1991	Family Practice/General Practice
--	------------------	---	--------------	---	-------	------	----------------------------------

**SAO PAULO**

	MELHADO, VANIA E. R.	CENTRO MEDICO SANTA ISABEL, RUA DONA VERIDIANA #311 -2 ANDAR 01238010	1121767792	*	03182	1999	Internal Medicine
--	----------------------	---	------------	---	-------	------	-------------------

**BRITISH WST INDIES****TURKS & CAICOS ISLANDS**

P	SLATTERY, SIMON (SAM)	INTERISLAND MEDICAL SERVICES, PROVIDENCIALES 000000000	6499415252	*	03202	2000	Family Practice/General Practice
---	-----------------------	--	------------	---	-------	------	----------------------------------

**CAMEROON****DOUALA**

	TZEUTON, CHRISTIAN	529 AVENUES DES PALMIERS PO BOX 12663	23733425572	*	02985	1997	Gastroenterology
--	--------------------	---------------------------------------	-------------	---	-------	------	------------------

**CANADA****ANMORE BC**

P	SEDERGREEN, CHRISTO	171 WYNDHAM CRESCENT V3H4X9	6044613899	*	02645	1993	Family Practice/General Practice
---	---------------------	-----------------------------	------------	---	-------	------	----------------------------------

**CALGARY, ALBERTA**

P	HELLEUR, KATHERINE A	STE 105A 5621 11 ST NE T2E6Z7	4032757705	*	03243	2002	Family Practice/General Practice
---	----------------------	-------------------------------	------------	---	-------	------	----------------------------------

**CANADA - (Cont.)****CALGARY, ALBERTA**

P	GEOGHEGAN, MICHAEL J	THE DOCTOR'S OFFICE, 207, 8120, BEDDINGTON TOWNE CENTRE BEDDINGTON BLVD NW T3K2A8	4032754611	*	02625	1992	Anesthesiology
	LYNCH, ANTHONY	DRUGTEC SYSTEMS INC, 4760 72ND AVE SE T2C3Z2	4037208005	*	03179	1999	Occupational/Industrial Medicine
	LYNCH, ANTHONY	DRUGTEC SYSTEMS INC, DEPARTURES LEVEL PO BOX 18C 2000 AIRPORT RD NE T2E6W5	4035032060	*	03179	1999	Occupational/Industrial Medicine

**DORVAL, QUEBEC**

	PERLMAN, ROBERT J	1405 TRANS CANADA HWY # 120 H9P2V9	5146837877	*	02605	1992	Family Practice/General Practice
--	-------------------	------------------------------------	------------	---	-------	------	----------------------------------

**ETOBICOKE, ONTARIO**

	KNIPPING, RANDOLPH P	190 SHERWAY DR STE 405 M9C5N2	4162539769	*	15848	1990	Aerospace Medicine
--	----------------------	-------------------------------	------------	---	-------	------	--------------------

**KELOWNA, BC**

P	JOHNSTON, TERRY G	GLENVALLEY MEDICAL CENTRE, 207 437 GLENMORE RD V1V1Y5	2508605811	*	03229	2001	Family Practice/General Practice
---	-------------------	---	------------	---	-------	------	----------------------------------

**MAPLE, ONTARIO**

P	GILLMORE, TREVOR A.	2316 MAJOR MACKENZIE DR L6A 1W6	9058322010	*	03329	2005	Aerospace Medicine
---	---------------------	---------------------------------	------------	---	-------	------	--------------------

**MARKHAM, ONTARIO**

P	GILLMORE, TREVOR A.	2833 16TH AVE L3R0P8	9054778100	*	03329	2005	Aerospace Medicine
---	---------------------	----------------------	------------	---	-------	------	--------------------

**MONTREAL, QUEBEC**

	THERIAULT, ANNE M. M.	4134 OLD ORCHARD H4A3B2	5144845390	*	03027	1997	Family Practice/General Practice
--	-----------------------	-------------------------	------------	---	-------	------	----------------------------------

**OKOTOKS, ALBERTA**

	JAMES, SIMON T	PO BOX 546 203 15 MCRAE ST T1S1A7	4039383860	*	01444	1991	Family Practice/General Practice
--	----------------	-----------------------------------	------------	---	-------	------	----------------------------------

**RICHMOND, B C**

	REMPEL, GERALD W	BOX 300-4440 STARK ST V7B1A1	6042701370	*	02610	1992	Aerospace Medicine
--	------------------	------------------------------	------------	---	-------	------	--------------------

**RICHMOND, BC**

	LERMER, ABBA BRAM	ULTIMA YVR SO MEDICAL CLINIC, 300 - 4440 STARK RD V7E 1A1	6042701370	*	03418	2007	Family Practice/General Practice
--	-------------------	---	------------	---	-------	------	----------------------------------

**SASKATOON, SASKATCHEW**

P	NYKIFORUK, EDWARD M	#201 149 PACIFIC AVE N 37K1N8	3066522620	*	15760	1984	Aerospace Medicine
---	---------------------	-------------------------------	------------	---	-------	------	--------------------

**SIDNEY, B C**

P	PETTIT, DAVID D	11432 CHALET RD V8L5L9	2506563169	*	15617	1977	Aerospace Medicine
---	-----------------	------------------------	------------	---	-------	------	--------------------

**ST CATHARINES, ONTARIO**

	LORENZEN, DAVID I	7 GENEVA ST L2R4M2	9056857688	*	15836	1989	Aerospace Medicine
--	-------------------	--------------------	------------	---	-------	------	--------------------

**TORONTO, ONTARIO**

P	APPLEFORD, LAURENCE	11 KING ST W PO BOX 6, 2ND FL M5H4C7	4168649025	*	01452	1991	Family Practice/General Practice
---	---------------------	--------------------------------------	------------	---	-------	------	----------------------------------

**CAYMAN ISLANDS****GEORGETOWN, GRAND CAYMAN**

A P	GLATZ, FRANK R	#2 ALEXANDER PL DORSEY DR PO BOX 31912 SEVEN MILE BEACH	3459498150	*	14859	1975	Otorhinolaryngology
-----	----------------	---	------------	---	-------	------	---------------------

**CHANNEL ISLES****ST. HELIER, JERSEY**

P	ROSSER, MICHAEL J	LISTER HOUSE SURGERY, THE PARADE JE23QQ	441534863916	*	03256	2002	Aerospace Medicine
---	-------------------	---	--------------	---	-------	------	--------------------

**COLOMBIA****BOGOTA**

P	MERA, EDUARDO	CALLE 83 NO. 19-36 OFFICE 606	5716161019	*	02633	1992	Aerospace Medicine
P	GRACIA, ORLANDO	CLLE 134 #9B-83 OF 1008	573002706050	*	15682	1980	Family Practice/General Practice

**MEDELLIN**

	BOTERO, OSCAR	CENTRO MEDICO COLSEGUROS CALLE 38 #63-70	5742651415	*	02878	1993	General Surgery
--	---------------	--	------------	---	-------	------	-----------------

**COSTA RICA**

**COSTA RICA - (Cont.)****HEREDIA**

ARCE-RODRIGUEZ, LUIS	CLINICA MEDICA HEREDIANA, STREET #1 AVE 8-10	5062375912	*	03127	1999	Otorhinolaryngology
----------------------	--	------------	---	-------	------	---------------------

**SAN JOSE**

P FERRIS, RANDALL	PO BOX 999-1000 1250	5062281206	*	04108	1954	General Surgery
-------------------	----------------------	------------	---	-------	------	-----------------

**TIBAS, SAN JOSE**

GARCIA, LUIS EDUARDO	PO BOX 292-1100	5068405430	*	03087	1999	Hematology/Oncology
----------------------	-----------------	------------	---	-------	------	---------------------

**CYPRUS****NICOSIA**

TIMOTHY, ANDREAS M	19 LOUKI AKRITA AVE	3572780343	*	02640	1993	Dermatology
--------------------	---------------------	------------	---	-------	------	-------------

**CZECH REPUBLIC****PRAGUE**

RADA, MIROSLAV A	INSTITUTE OF AVN MEDICINE, GEN PIKY 1 PO BOX 19 16060	420220212497	*	03196	2000	Aerospace Medicine
------------------	--	--------------	---	-------	------	--------------------

**PRAGUE 6**

P CHALOUPKA, JOSEF	INSTITUTE OF AVN MEDICINE, INTERNAL MEDICINE DEPT PO BOX 19 16060	420220212457	*	03048	1998	Aerospace Medicine
--------------------	--	--------------	---	-------	------	--------------------

**DENMARK****2100 COPENHAGEN**

TANGOE, MOGENS	CLINIC OF AVIATION MEDICINE, DEPT 7522 RIGSHOSPITALET BELGDAMSVEJ 9 2100	4535457533	*	03195	2000	Internal Medicine
----------------	---	------------	---	-------	------	-------------------

**DOMINICAN REPUBLIC****SANTO DOMINGO**

LORA, RAFAEL E	HERRERA INT'L AIRPORT, OFIC. SERVICIOS AEREOS PROFESIONALES AVIENDA LUPERON	8093500660	*	03008	1997	Internal Medicine
----------------	--	------------	---	-------	------	-------------------

**EGYPT****CAIRO**

EL KARMOUTY, AHMED	MINISTRY OF CIVIL AVIATION, CAA EGYPT AEROMED COUNCIL AIRPORT ST PO BOX 52 11776	20122176856	*	03303	2004	Ophthalmology
EL SAYED, ALY MOHAME	MINISTRY OF CIVIL AVIATION, AEROMEDICAL COUNCIL AIRPORT ROAD FLAT 1 BASEMENT	002022671052	*	03378	2005	Aerospace Medicine
MARWAN, AHMED MOUS	MINISTRY OF CIVIL AVIATION, CAA EGYPT AEROMED COUNCIL AIRPORT ST PO BOX 52 11776	20123952202	*	03302	2004	Internal Medicine

**EL SALVADOR****SAN SALVADOR**

RECINOS, JORGE RENE	CLINICA DE MEDICINA DE AVIACION, 1A C PTEY 63 AVE NTE EDIF AM #NSEDIFICIO AM # A5 COLONIA ESCALON 1A CALLE PTE Y 63 AVE NTE	50322606088	*	02893	1994	Family Practice/General Practice
---------------------	---	-------------	---	-------	------	----------------------------------

**ETHIOPIA****ADDIS ABABA**

ASFAW, T SHIBRU	BETHZATHA MED CTR, PO BOX 929 CODE 1110	2511550088	*	02843	1994	Family Practice/General Practice
ABERRA, ASNAKECH	ETHIOPIAN AIRLINES, MEDICAL UNIT BOLE INTL. A/P W-17 K-20	2511623606	*	03362	2005	Internal Medicine
GEBREMARIAM, AYNALE	ETHIOPIAN AIRLINES, MEDICAL UNIT PO BOX 1755	2511180021	*	02968	1996	Dermatology
FIKRU, SABA	ETHIOPIAN AIRLINES, MEDICAL UNIT PO BOX 1755	2511612222	*	03064	1998	Family Practice/General Practice

**FINLAND**

**FINLAND - (Cont.)****HELSINKI**

P OKSANEN, PEKKA J PUUSTELLIN LAAKARIASEMA, PUUSTELLINAUKIO 8 00410 358405001124 \* 15805 1987 Aerospace Medicine

**FRANCE****AUCAMVILLE**

P CORNAC, ALAIN 38 RUE DES E COLES 31140 33680334826 \* 02872 1993 Aerospace Medicine

**GAILLARD**

P DEBRAY, GILLES F 97 ROUTE DE GENEVE 74240 33450380693 \* 15777 1985 Aerospace Medicine

**LE BOURGET**

P HERAIL, JOELLE LE BOURGET AIRPORT, PAUL BERT BLDG 93350 33140301663 \* 15723 1982 Family Practice/General Practice

**NICE**

P TOURET, BERNARD 6 RUE ROSSINI 06000 330493872125 \* 01440 1990 Family Practice/General Practice

**ORRY LA VILLE**

P KAMDOUM, CHARLES 10 RUE DU STADE 60560 33344213664 \* 15709 1981 Aerospace Medicine

**PARIS**

P ATZENHOFFER, MARIE-C 3 RUE LAROCHELLE 75014 33143272983 \* 02927 1995 Aerospace Medicine

P GERMA, RENE JEAN CONSEIL MEDICAL DE L' AERONAUTIQUE CIVILE, 93 BOULEVARD DU MONTPARNASSE 75006 33149543390 \* 03034 1998 Aerospace Medicine

P GROSS, JEAN F HTOTEL SOFITEL, 8-10 RUE LOUIS ARMAND 75015 0607897799 \* 04158 1959 Internal Medicine

DAX, JOHN M 57 AVE GEORGES-MANDEL ASC 2 SEME ETAGE DROITE 75116 33147045012 \* 04080 1951 Family Practice/General Practice

**ROISSY - CDG**

ST LAURENT, ALAIN MAR CEMPN D' AIR FRANCE, CONTINENTAL SQUARE 3 PLACE DE LONDRES BP 10201 95703 33148642103 \* 15806 1987 Family Practice/General Practice

**TOULOUSE BLAGNAC**

P MOUCHARD, JEAN GEOFF C/O CEMPN-TB 8 AV DIDIER DAURAT 31700 33561710671 \* 15817 1988 Aerospace Medicine

**TRENBLY EN FRANCE**

P LEPOYVRE, ALBANE AIR FRANCE - CENP, 3 PLACE DE LONDRES BP 11201 95703 033148642073 \* 03324 2005 Aerospace Medicine

**GERMANY****HAMBURG**

P KRAUS, HANS W UHLENHORSTER WEG 55 D-22085 04022800745 \* 01574 1991 Family Practice/General Practice

**AACHEN**

P WEIDEMANN, PETER K KURBRUNNENSTRASSE 22 52066 492416052852 \* 03050 1998 Internal Medicine

**AICHHALDEN-ROTENBERG**

P GRAUPNER, DIETRICH ELISENWEG 7 78733 4974442372 \* 15778 1985 Aerospace Medicine

**BERLIN**

P HOLLMANN, ERNST J TEMPELHOFER DAMM 228 12099 49307517024 \* 15608 1977 Aerospace Medicine

P SCHIRROW, HEIN B. JOACHIM-FRIEDRICH-STR 16 10711 0308852145 \* 15850 1990 Aerospace Medicine

P LANDGRAF, HELMUT MEDIZINISCHE KLINIK VI / ANGIOLOGIE, VIVANTES KLINIKUM IM FRIEDRICHSHAIN LANDSBERGER ALLEE 49 10249 03042210 \* 15820 1989 Internal Medicine

LOTT, EBERHARD KLAUSENER PLAT 19 14059 0303215066 \* 15783 1986 Family Practice/General Practice

**BORKUM**

P BRAUN MD, THOMAS M BfA CLINIC RIFF AT BORKUM, 126 HINDENBURG ST D26757 494922302164 \* 03162 1999 Aerospace Medicine

**BRAUNSCHWEIG**

P PETERS, EBERHARD A. V AEROMEDICAL CENTER, 80 WOLFENBUETTEL STR D38102 49531794079 \* 03121 1999 Aerospace Medicine

**BRILON**

P KRETZSCHMAR, THOMAS BAHNHOFSTRASSE 8 59929 04929611005 \* 03230 2001 Family Practice/General Practice

**COLOGNE**

P KLUGE, GOETZ A. DLR AEROMEDICAL CENTER, LINDER HOEHE 51170 0922036013368 \* 03386 2006 Aerospace Medicine

**DUDENHOFEN**

P MUTSCHLER, RAINER AN DEN DOHLWIESEN 3 67373 496232990671 \* 02926 1995 Family Practice/General Practice

**GERMANY - (Cont.)****DUSSELDORF**

P HAUER, FRANZ H CHERUSKERSTRABE 111 405450000 49211577290 \* 02982 1997 Internal Medicine

**EBSDORFERGRUND**

P FEES, KLAUS H 15 DREIHAUSER STRASSE D35085 496424923131 \* 03124 1999 Family Practice/General Practice

**ERLANGEN**

P HEYNEN, HANS-PETER SPITZWEGSTR. 8 D91056 49913143876 \* 15748 1984 Aerospace Medicine

**FRANKFURT**

P SIEDENBURG, JORG AEROMED DEPT FRA PM/F, LUFTHANSA BASE-TOR 21 0696962203 \* 03015 1997 Internal Medicine  
60546

P GABEL, ANDREAS LUFTHANSA GERMAN AIRLINES MED DEPT, LUFTHANSA 496969647620 \* 03312 2004 Aerospace Medicine  
BASE TOR 21 60546 FRANKFURT/M. AIRPORT

**FRANKFURT AM MAIN**

P VON MUELMANN, MATTH MEDICAL SERVICE LUFTHANSA, LH-BASE FRA PM/F 496969647601 \* 15851 1990 Aerospace Medicine  
605460000

P STUEBEN, UWE DEUTSCHE LUFTHANSA AG, MEDICAL DEPARTMENT FRA 496969647610 \* 02620 1992 Family Practice/General Practice  
PM/F 605460000

**FRIEDRICHSHAFEN**

P STIRNER, UDO AM FLUGPLATZ 29 88046 497541371732 \* 15792 1986 Internal Medicine

**GROEBENZELL**

P FRANK, PETER W AUGSBURGER STR 30 82194 0814257706 \* 03013 1997 Aerospace Medicine

**HAMBURG**

GERKE-HAGENOW, JUTT GEORG CLASEN WEG 39 22415 49405204212 \* 02606 1992 Internal Medicine

P GEBHARD, JAN DEUTSCHE LUFTHANSA AG, MEDICAL DIENST WEG BEIM 494050702081 \* 02930 1996 Internal Medicine  
JAGER 193 223130000

P KULOW, MICHAEL FLUGHAFEN HAMBURG, 1-3 FLUGHAFENSTRASSE 22335 4050751489 \* 03158 1999 Aerospace Medicine

**HAMM**

P ADRIAN, ANDREAS H. FLUGMEDIZINISCHER SACHVERSTANDIGER, OSTENALLEE 490238115080 \* 03383 2006 Aerospace Medicine  
9 59063

**KAMP-LINTFORT**

P SOEHLMANN, WERNER L AUGUSTSTRASSE 45 47475 49284213440 \* 03016 1997 General Surgery

**KARBEN**

P GRAEF, MARTIN KARDIOLOGIE KARBEN, ROBERT BOSCH STRASSE 62 4960395800 \* 03220 2000 Internal Medicine  
61184

**KOLN**

P LOHN, KLAUS A DLR, PORZ-WAHNHEIDE LINDER HOHE D51170 4922036013368 \* 03009 1997 Aerospace Medicine

**MUHLACKER ENZBERG**

P BAEUERLE, RAMON HANDELSTRASSE 33 D75417 497041863103 \* 03270 2003 Family Practice/General Practice

**MUNCHEN**

P SCHMIDT-GARVE, JUERC BRIENNER STRASSE 3 80333 089298190 \* 01448 1991 Internal Medicine

**MUNCHEN-FLUGHAFEN**

P FLICK, MICHAEL J DEUTSCHE LUFTHANSA AG, SUDALLEE 15 85356 49899775200 \* 03218 2000 Aerospace Medicine

P KAUL, GUENTHER M DEUTSCHE LUFTHANSA AG SUDALLEE 15 D85356 0899775200 \* 02889 1994 Aerospace Medicine

**MUNICH**

P HOENIG, UWE H SENDLINGER-TOR-PLATZ 7 D80336 498959978792 \* 03391 2006 Family Practice/General Practice

**NEUBRANDENBURG**

P HARSCH, VIKTOR FLIEGERARZT SANITATZENTRUM TROLLENHAGEN, 493954632400 \* 02965 1996 Aerospace Medicine  
SUDSTRASSE FLIEGERHORST 17034

**OESTRICH-WINKEL**

P HUFNAGEL, IRENE M.E. AN DER BASILIKA 9 D65375 496723999296 \* 03327 2005 Internal Medicine

**OTTO BRUNN**

P WIESHOLLER, MAXIMILIA GOETHSTRASSE 27 85521 1726777016 \* 03250 2002 General Surgery

**ROETHENBACH**

P JAHN, PETER HEINRICH-DIEHL-STR 6 90552 499119572666 \* 15811 1987 Occupational/Industrial Medicine

**SAARLOUIS**

P SCHWAN, FRIEDHELM E IBF, 8 ULMENSTRASSE D66740 49683198110 \* 02639 1993 Aerospace Medicine

**SINZHEIM, BADEN-WUERTEMBERG**

P GROVE, ANDREAS K. DRS GIEBEL/GRAMPP - INTERNAL MEDICINE PRACTICE, 6 49722185926 \* 03288 2004 Aerospace Medicine  
HANS-THOMA-STRASSE 76547



**GERMANY - (Cont.)****STUTTGART-AIRPORT**

P QUAST, ROLAND DIRECTOR, AEROMEDICAL CENTER GERMANY 1907117949466 \* 02931 1996 Aerospace Medicine  
OPS-GEBAUDE 70629

**STUTTGART-FLUGHAFEN**

P BROSI, EBERHARD FLIEGERARZTLICHE UNTERSUCHUNGSSTELLE 07119484080 \* 15802 1983 Aerospace Medicine  
OPS-GEBAUDE 70629

**TRIER**

P LIETHEN, PAUL W KOCHSTRASSE 13 54290 496514367616 \* 03208 2000 Internal Medicine

**WEIDEN**

P SIMONS, NORBERT FICHTESTR 17 92637 499612218 \* 15844 1990 Family Practice/General Practice

**GHANA****ACCRA**

ADDAE, REGINALD O. CASTLE DRIVE CLINIC, PO BOX 9229 K.I.A. 23321662700 \* 11759 1974 Internal Medicine

**GREECE****ATHENS**

GIANNOPOULOS, CHARIL 8 ETOLIA STREET GR11526 7774910 \* 04694 1967 Aerospace Medicine

**KALAMARIA, THESSALONIKI**

P KOURTIDOU-PAPADELI, C ETHNIKIS ANTISTASIS 51-53 AND ARISTIDOU 8 55133 302310488727 \* 03003 1997 Pulmonary Medicine

**GUATEMALA****GUATEMALA**

GARAY-MOYA, MODESTO 18 AVENUE A 4-04 ZONE 15 01015 5023310311 \* 04616 1964 Internal Medicine

**GUYANA****KINGSTON, GEORGETOWN**

P WILLIAMS, MARK A. 80 COWAN ST 5922270452 \* 03006 1997 Family Practice/General Practice

**HONG KONG****LANTAU ISLAND**

LIEW, MICHELE Y. H. CATHAY PACIFIC AIRWAYS LIMITED, AVIATION MED 2/F 85227472922 \* 03337 2005 Aerospace Medicine  
CENTRAL TWR CATHAY PACIFIC CITY 8 SCENIC RD HK INTL  
ARPT

P COCKS, ROBERT A. CATHAY PACIFIC AIRWAYS LIMITED, AVIATION MED 2/F 85227472923 \* 03338 2005 Aerospace Medicine  
CENTRAL TWR CATHAY PACIFIC CITY 8 SCENIC RD HK INTL  
ARPT

**HUNGARY****BUDAPEST**

HARDICSAY, GABOR CAA AEROMEDICAL SECTION 1XGYALI UT 17 H1097 3612800030 \* 02875 1993 Internal Medicine

P MELLES, IMRE HUNGARIAN AEROMEDICAL CENTER, GYALI UT 17 H1097 3612806809 \* 03221 2000 Aerospace Medicine

**INDIA****BOMBAY**

POCHA, NUSLY P J R N GAMADIA POLYCLINIC UNIT 19, GAMADIA COLONY RD 912223534036 \* 15764 1984 Family Practice/General Practice  
TARDEO 400007

MEHRA, ANIL INDIA AEROMEDICAL SERVICE, 41 PALI HILL BANDRA (W) 912226491537 \* 02944 1996 Aerospace Medicine  
NARGIS DUTT RD 400050

**MAHARASHTRA**

PURI, SATISH KUMAR 15 SHANTINIKETAN CHS (AIR INDIA) YARI RD VERSOVA 9820099537 \* 02984 1997 Internal Medicine  
ANDHERI MUMBAI 400061

**INDONESIA****JAKARTA**

SABIRIN, ENDRA T SBU GARUDA SENTRA MEDIKA, JL ANGKASA KAV B15 #1 62214241192 \* 11659 1971 Aerospace Medicine  
KEMAYORAN 10620

**IRELAND****CULLYBACKEY**

MCATEER, HELEN M MAINE MEDICAL PRACTICE, OLD MILL PARK BT421GP 442825882222 \* 03398 2006 Family Practice/General Practice

**DUBLIN 1**

P KILLEEN, COLM M 14 MOUNTJOY SQUARE 35318560040 \* 02892 1994 Family Practice/General Practice  
P KILLEEN, THOMAS C 14 MOUNTJOY SQUARE 35318336868 \* 11581 1968 Family Practice/General Practice

**ISRAEL****HAIFA**

P BARLEV, AVINOAM 8 ELHANAN ST MOUNT CARMEL 34452 97248380394 \* 15765 1985 Plastic Surgery

**OMER**

P EFRATT, CARMELA Y 6 PILPELON ST 84965 97286650441 \* 03209 2000 Family Practice/General Practice

**ITALY****MILANO**

P FREILICH, WILLIAM S. AMERICAN-INTL MED CTR, VIA MERCALLI 11 201220000 39258319808 \* 03083 1999 Internal Medicine

**ROME**

VAN DOORNE, DOMINIQL 26A PIAZZA STEFANO JACINI 001910000 3963291342 \* 02885 1993 Endocrinology  
MALIZIA, ENRICO G. 10 V MONTEVIDEO 00198 39068417116 \* 15826 1989 Internal Medicine

**JAMAICA****KINGSTON**

ROBERTS, CHARLIE J 6 HAINING RD 8769607728 \* 15821 1989 Family Practice/General Practice

**KINGSTON 10**

P GOMES, RICHARD A DEVON HOUSE EAST UNIT 28, 2 1/2 KINGSWAY 908769267161 \* 15841 1990 Family Practice/General Practice

**JAPAN****KOBE CITY**

TORITA, KENJI TORITA CLINIC, 4-5-8 AIOICHO CHUO-KU 6500025 081783511240 \* 02921 1995 Aerospace Medicine

**MINATO-KU, TOKYO**

FUJII, KOICHI TOKYO MEDICAL/SURGICAL CLINIC, MORI BLDG 32, 3-4-30 8134363028 \* 11695 1972 General Surgery  
SHIBA KOEN MINATO-KU 1050011

**OTAKU**

P KIKUCHI, ATSUO TOKYO INTERNATIONAL AIRPORT, MEDICAL OFFICE 3-3-2 81357571122 \* 03251 2002 Aerospace Medicine  
HANEDAKUKO POB 61 1446591

**TOKYO**

P KAJI, MASANOBU JAL MEDICAL SERVICES, 6-8 HANEDA-KUKO 3-CHOME 81357563462 \* 02894 1994 Aerospace Medicine  
OTA-KU 1440041  
P TAKAHASHI, HIROSHI NOGE 1-14-25 SETAGAYA-KU 158000092 810337015220 \* 03224 2001 Family Practice/General Practice

**TSUKUBA, IBARAKI**

P SHIMADA, KAZUHITO TSUKUBA SPACE CENTER, 2-1 SENGEN 3058505 81298543946 \* 03216 2000 Aerospace Medicine

**JORDAN**

**JORDAN - (Cont.)****AMMAN**

BILTAJI, MOHAMED-B	CHIEF AVIATION MEDICINE DIV, MARKA AIRPORT PO BOX 7547 ZC11110	96264841401	*	15780	1985	Occupational/Industrial Medicine
P JAHSHAN, SAMIR H	PO BOX 9177 11191	9626644147	*	11742	1974	Otorhinolaryngology
ZUREIKAT, SAMIR Y	PO BOX 2424 111810000	96264637647	*	15793	1986	Otorhinolaryngology
AMMOURA, ADNAN M	ROYAL JORDANIAN AIR FORCE MED FACILITY, MARKA 11141	96264893277	*	03354	2005	Family Practice/General Practice

**KENYA****NAIROBI**

P GATABAKI, JOHN P	WABERA STREET PO BOX 45901 00100	2542220431	*	15641	1978	Aerospace Medicine
ILAKO, FESTUS M	HURLINGHAM HEALTHCARE SERVICES, SCRIPTURE UNION CTR OFF ARGWINGS RD POB 76386	2542725630	*	03225	2001	Internal Medicine

**KOREA****INCHON**

OH, JUNG HYUB	INHA UNIVERSITY HOSPITAL, #7-206 SHINHEUNG-DONG, JUNG-GU 400-103	82328902400	*	03400	2007	Ophthalmology
---------------	--	-------------	---	-------	------	---------------

**SEOUL**

HAN, BOK SOON	AEROMEDICAL SERVICE TEAM, KOREAN AIR BLDG KIMPO INTL ARPT 157712	8226563858	*	15797	1986	Occupational/Industrial Medicine
P KWAK, INHO	INTL CLNC, 388-1 PUNGNAP-DONG SONGPA-GU 138736	82230105001	*	02873	1993	Family Practice/General Practice
LEE, JUNG CHUL	KOREAN AIR, AEROMEDICAL SERVICE 1370 GONGHANG-DONG, GANSEO-GU 157712	82226563856	*	03326	2005	Occupational/Industrial Medicine
KIM, JEONG HYUN	ASIANA AIRLINES MEDICAL DEPT, 47 OSAE-DONG KANGSEO-KU 157270	8226693803	*	01578	1991	Internal Medicine

**KUWAIT****SAFAT**

AL DOUB, MUBARAK ALI	AVIATION MEDICAL CENTRE, PO BOX 1456 13015	9659661906	*	15840	1989	Aerospace Medicine
ZAKI, AHMED G.	KUWAIT AIRWAYS MEDICAL CENTER, AIRPORT STREET PO BOX 394 13004	009654345555	*	03323	2005	Family Practice/General Practice

**LEBANON****BEIRUT**

P BECHARA, GEORGE F	MEA MED DEPT, BEIRUT ARPT PO BOX 206 206	9611622666	*	02874	1993	Aerospace Medicine
MOUKHEIBER, SAMI EMIL	AMERICAN UNIVERSITY MEDICAL CENTER, I BLISS STREET	9613240450	*	02891	1994	Family Practice/General Practice

**LUXEMBOURG****DIFFERDANGE**

P KLEIN, PIERRE ALEXAND	30 PARC DE GERLACHE L4574	352589321	*	03232	2001	Forensic Medicine
-------------------------	---------------------------	-----------	---	-------	------	-------------------

**LUXEMBOURG**

P BISDORFF, JEAN	HOSPITAL KIRCHBERG 9 RUE EDWARD STEICHEN L2540	35224681	*	02880	1993	Aerospace Medicine
------------------	--	----------	---	-------	------	--------------------

**MACAU****MACAU**

EVORA, HUMBERTO A	PO BOX 1954	853313731	*	03153	1999	Sports Medicine
-------------------	-------------	-----------	---	-------	------	-----------------

**MALAYSIA****SELANGOR D.E.**

SINGH, BADHESHA JAGD	NO. 4 JALAN TANJONG 5/41 46000 PETALING JAYA 50728	60379566878	*	15584	1976	Occupational/Industrial Medicine
----------------------	--	-------------	---	-------	------	----------------------------------

**MALAYSIA - (Cont.)****KUALA LUMPUR**

P	SAGOO, DALBIR S.	TWIN TOWERS MED CTR, LOT 401 F & G LEVEL 4 SURIA KLCC 50088	6033822000	*	15689	1980	Aerospace Medicine
P	YONG, ERNEST	13-15 LEBUH AMPANG 6TH FL MBSB BLDG 50100	60320709742	*	02951	1996	Aerospace Medicine

**MALTA****TA XBIEX (EUROPE)**

	BONNICI, ALFRED	34 CASA BONNICI SIR AUGUSTUS BARTOLO ST	356338437	*	11531	1968	Aerospace Medicine
--	-----------------	---	-----------	---	-------	------	--------------------

**MEXICO****MEXICO CITY**

	AMEZCUA-GONZALES, LI	ROCHESTER NO 75 COL. NAPOLES CP 03810 038100000	5255238217	*	04149	1959	Family Practice/General Practice
--	----------------------	---	------------	---	-------	------	----------------------------------

**MOROCCO****CASABLANCA**

P	BOUCHAREB, ABDELALI	124 BLVD RAHAL-EL-MESKINI 20000	21222319741	*	03228	2001	Rheumatology
---	---------------------	---------------------------------	-------------	---	-------	------	--------------

**NETHERLANDS****LUCHTHAVEN SCHIPHOL**

	DE VRIES, HENDRIK J	KLM AEROMEDISCH INSTITUUT, POSTBUS 7700 (SPL/AM) 1117ZL	0206493400	*	03180	1999	Aerospace Medicine
--	---------------------	--	------------	---	-------	------	--------------------

**MAASTRICHT AIRPORT**

P	VAN DEURSEN, RONALD	AVIATION MED CTR BV, VliegVeldweg 196 6199 AD MAASTRICHT AIRPORT 6199AD	31433653344	*	02883	1993	Internal Medicine
---	---------------------	--	-------------	---	-------	------	-------------------

**SCHIPHOL AIRPORT**

	GODEFROY, WILLEM A L	OCCUPPTL HLTH DEPT SPL/AK, ROYAL DUTCH AIRLINES PO BOX 7700 1117 ZL	31206491888	*	15749	1984	Occupational/Industrial Medicine
	DE VRIES, CHRISTINE D	OCCUP HLTH DEPT SPL/AK, ROYAL DUTCH AIRLINES PO BOX 7700 1117ZL	31206495793	*	02992	1997	Aerospace Medicine

**SCHIPHOL-OUDEMEER**

P	ROODENBURG, ANNA M	AEROMEDICAL EXPERT CENTRE, FOKKERWEG 300 1438AN	31203043290	*	03004	1997	Aerospace Medicine
---	--------------------	--	-------------	---	-------	------	--------------------

**NETHERLANDS ANTILLES****CURACAO**

	ALLAART, JAN W L	AEROPUERTO HATO	59998338317	*	02622	1992	Aerospace Medicine
--	------------------	-----------------	-------------	---	-------	------	--------------------

**SINT MAARTEN**

	DEKETH, HIDDE P	MULLET BAY CLINIC, MULLET BAY PO BOX 964	5995454280	*	03314	2005	Family Practice/General Practice
--	-----------------	--	------------	---	-------	------	----------------------------------

**ST MAARTEN**

P	VAN DER WAAG JR, ALBE	MULLET BAY CLINIC, PO BOX 64	5995454230	*	15690	1980	Family Practice/General Practice
---	-----------------------	------------------------------	------------	---	-------	------	----------------------------------

**NEW ZEALAND****AUCKLAND**

	DANIELS, WILLIAM L	320 REMUERA ROAD PO BOX 28-306	6495246504	*	01575	1991	Family Practice/General Practice
--	--------------------	--------------------------------	------------	---	-------	------	----------------------------------

**CHRISTCHURCH**

	NEWTON, SUSAN J	, BOX 2895	64033595370	*	03265	2003	Aerospace Medicine
--	-----------------	------------	-------------	---	-------	------	--------------------

**NICARAGUA****MANAGUA D.N.**

P	GORDILLO, DONALD J	CLINICA MANAGUA, 1310 - CALLE COLON STE 1	5052226213	*	03254	2002	General Surgery
---	--------------------	---	------------	---	-------	------	-----------------

**NIGERIA****IKEJA, LAGOS**

HAGGAI, WILFRED T NCAA HQS - AEROMEDICAL SECTION, P.M.B. 21029 21038 23417939920 \* 03287 2004 Aerospace Medicine

**KADUNA**

P OWOLABI, MAKANJUOLA MENDS HOSPITAL, 5 ABBA KYARI CLOSE 5B OLD DAWAKI RD POB 3001 23462238811 \* 15726 1982 Aerospace Medicine

**OSHODI, LAGOS**

OKUPA, FRANK E KUPA MEDICAL CENTER, 4 LATEEF SALAMI ST AJAO ESTATE OFF AIRPORT RD PO BOX 3743 23417743618 \* 03277 2003 Aerospace Medicine

**SURULERE, LAGOS**

AKINLADE. HAKIM A RAO HOSPITAL, 93 RANDLE AVE 23415832423 \* 03227 2001 Family Practice/General Practice

**NORWAY****LYSAKER**

DVERGSDAL. PETER KILENVN 45 N1366 4767102660 \* 15798 1986 Family Practice/General Practice

TJENSVOLL, LARS FORNEBUVEIEN 39 1366 4767120200 \* 15824 1989 Family Practice/General Practice

**OSLO**

KRAVIK. STEIN E JOHAN EVJES V #15 0667 4722273355 \* 15785 1986 Aerospace Medicine

**SANDNES**

CAPPELEN, PER-JOHAN MARIUS SKADSEMS VEI 21 N4316 4751652092 \* 15700 1981 Aerospace Medicine

**OMAN****SEEB, MUSCAT**

AL-LAMKI, SULAIMAN A M DIRECTOR, MEDICAL CARE OFFICE, ROYAL FLIGHT - OMAN PO BOX 43 POSTAL CODE 116 968516214 \* 03298 2004 Aerospace Medicine

**PAKISTAN****KARACHI**

KADIR, S G 86/1 13TH ST KHAYABAN-E-SEHR PHASE 6 DHA 72500 92215847335 \* 15752 1984 Aerospace Medicine

**LAHORE**

P AKHTAR. SALEEM A 430-Y PHASE 3 L.C.C.H.S. 9242893194 \* 02635 1992 Aerospace Medicine

**PALAU****KOROR**

ROBERTS, EMAIS FAMILY SURGICAL CLINIC, PO BOX 1652 96940 6804886920 \* 03293 2004 General Surgery

**PANAMA****PANAMA CITY**

P STAFF, CARLOS E CENTRO MEDICO NACIONAL, PO BOX 0815-01044 004 5072253963 \* 15636 1991 Aerospace Medicine

**PERU****LIMA**

LARI-CASTRILLON, NOR/ CLINICA ANGLO AMERICANA, ALFREDO SALAZAR S/N 115112213656 \* 03255 2002 Internal Medicine

ORMENO VALDIZAN. GIN AV. LAS ARTES NORTE 1119 5113461827 \* 03273 2003 Family Practice/General Practice

**PORTUGAL****LISBON**

MATOS, PEDRO M P PORTUGUESE DIABETIC ASSOC, RUA RODRIGO DA FONSECA 1 1250 35113816100 \* 01443 1991 Internal Medicine

**QATAR****DOHA**

AL-SAEY, HAMAD JABER	PO BOX 308	9744882335	*	02890	1994	Otorhinolaryngology
AL-NAIMA, ABDUL AZIZ	PO BOX 16293 0974	974616536	*	02987	1997	Otorhinolaryngology

**SAUDI ARABIA****DHAHRAN**

P AL-OTAIBI, SULTAN THO/	DHAHRAN HEALTH CENTER, SAUDI ARAMCO PO BOX 11606 31311	96638778307	*	03146	1999	Occupational/Industrial Medicine
FAIDAH, MARWAN Y.	SAUDI ARAMCO, PO BOX 11662 31311	96638778508	*	03381	2006	Occupational/Industrial Medicine

**JEDDAH**

GHARIB, KHALID A.	GEN AUTHORITY OF CIV AVN (GACA), SAFETY & ECONOMIC REG. AVIATION MEDICAL DEPT AVN MED DEPT PO BOX 887 21165	96626855759	*	02897	1994	Internal Medicine
YOUNIS, MOHD HANI A	SAUDI ARABIAN AIRLINES MEDICAL SERVICES, PO BOX 167 21442	96626864233	*	15791	1986	Ophthalmology
MONEM, MOHAMMED A	DR ERFAN HOSPITAL, PRINCE FAHAD ST (AL SETEEN) POB 6519 214520000	96626820022	*	15728	1982	Aerospace Medicine
ZHRAN, OSAMA A H	SAUDI ARABIAN AIRLINES MEDICAL SERVICES, CC: 507 PO BOX 167 212310000	96626864047	*	02913	1995	Rheumatology
AL-SAYED, SALIM AHMEI	SAUDIA ARABIAN AIRLINES, MEDICAL SERVICES CC:506 PO BOX 167 212310000	96626861672	*	02905	1995	Internal Medicine
P KAMAL, TALAL OMAR	SAUDI ARABIAN AIRLINES MEDICAL SERVICES, OCCUP & AVIATION MED DEPT CC:507 PO BOX 167 21231	96626864599	*	03306	2004	Internal Medicine

**RIYADH**

SAMY, AMAL	TRANSAD CLINIC, SULIMANIA AREA PO BOX 92881 11663	96614645050	*	03143	1999	Family Practice/General Practice
JAD, AHMED M A	RIYADH AIR BASE MEDICAL CENTER, SULIMANIA AREA PO BOX 92881 11663	96614645050	*	03292	2004	Family Practice/General Practice

**RIYADH AIR BASE**

JAD, AHMED M A	RIYADH AIR BASE MEDICAL CENTER, PO BOX 25100 114660000	96614911656	*	03292	2004	Family Practice/General Practice
----------------	--	-------------	---	-------	------	----------------------------------

**SENEGAL****DAKAR**

KAOUK, MAJDI M	CABINET DU DOCTEUR KAOUK, 144 JOSEPH GOMIS BP 1742	2218234679	*	15703	1981	Internal Medicine
----------------	--	------------	---	-------	------	-------------------

**SERBIA****BELGRADE**

RUDNJANIN, SLOBODAN	HEAD OF INSTITUTE OF AVN MED, MILITARY MED ACADEMY 17 CRNOTRAVSKA 11000	38111661336	*	03289	2004	Aerospace Medicine
---------------------	---	-------------	---	-------	------	--------------------

**SINGAPORE****SINGAPORE**

MEDORA, FIRDOS	MEDORA CLNC & SURGERY, 115 UPPER PAYA LEBAR RD 534833	652880035	*	01453	1991	Family Practice/General Practice
GHOSH, RAJIB	SINGAPORE AEROMEDICAL CENTRE, 492 AIRPORT RD 539945	6564880612	*	03309	2004	Aerospace Medicine
NG, BENJAMIN BOON LUI	RAFFLES MEDICAL GROUP, 585 NORTH BRIDGE RD 188770	6563111221	*	03311	2004	Aerospace Medicine

**SLOVENIA****LJUBLJANA**

P KOZELJ, TOMAZ F	HEALTH CENTRE OF MOD, STULA BS 1210	38615813458	*	02948	1996	General Surgery
-------------------	-------------------------------------	-------------	---	-------	------	-----------------

**SOUTH AFRICA****HAZYVIEW**

P NEL, ROBERT G	SIMUNYE BUILDING SHOP NO. 10 MAIN STREET 1240	127137378779	*	03304	2004	Family Practice/General Practice
-----------------	---	--------------	---	-------	------	----------------------------------

**LANSERIA**

MURRAY, PIETER W	PO BOX 732 1748	0116591014	*	03297	2004	Aerospace Medicine
------------------	-----------------	------------	---	-------	------	--------------------

**SOUTH AFRICA - (Cont.)****PRETORIA**

BUYS, PHILIP W	829 PRIMULA RD MORELETA PK BOX 39298 0044	0129985928	*	02614	1992	Family Practice/General Practice
----------------	---	------------	---	-------	------	----------------------------------

**VANDERBIJLPARK**

P LATEGAN, PETRUS J.	CORMED CLINIC, PO BOX 397 PASTEUR BLVD 1900	27169311751	*	02619	1992	Family Practice/General Practice
----------------------	---	-------------	---	-------	------	----------------------------------

**SOUTH-WEST AFRICA****OLYMPIA, NAMIBIA**

JORDAAN, DANIEL C	LOLOPARK NO. 5 REGINALD WALKER ST PO BOX 80228 80228	26461253166	*	03212	2000	Aerospace Medicine
-------------------	---	-------------	---	-------	------	--------------------

**SPAIN****MADRID**

MUNOZ, ELISA	PO CASTELLANA 224 BAJO DERECHA 280460000	34913150105	*	02932	1996	Family Practice/General Practice
RIOS-TEJADA, FRANCISC	CIMA - ARTURO SORIA 82 280270000	34913677458	*	01458	1991	Aerospace Medicine

**SRI LANKA****COLOMBO**

WEERASENA. LAKSHMAI	COLOMBO MEDICARE SERVICES LTD, 372 GALLE ROAD 03	941573523	*	03206	2000	Aerospace Medicine
---------------------	--	-----------	---	-------	------	--------------------

**SUDAN****KHARTOUM**

EL RASOUL, AHMED H	KOGALI MEDICAL CENTER, SAYED A/RAHMAN ST BOX 2506	24911772213	*	15679	1980	Aerospace Medicine
--------------------	---	-------------	---	-------	------	--------------------

**SURINAME****PARAMARIBO**

GOMES, DARRYL M	KONINGSTR. 147	597472578	*	02856	1994	Family Practice/General Practice
MAC DONALD. HENK	29 TOURTONNELAAN	597425330	*	02855	1994	Family Practice/General Practice

**SWEDEN****ORKELLJUNGA**

P AARNELL, GORAN J	HEALTHCARE CENTER, STOCKHOLMSVAGEN 2 S28621	4643552065	*	02838	1994	Psychiatry
--------------------	---	------------	---	-------	------	------------

**STOCKHOLM**

P LARSSON, PER-GUNNAR	KIRURGCENTRUM, LINNEGATAN 9-11 SE11447	460705906291	*	03038	1998	Aerospace Medicine
-----------------------	--	--------------	---	-------	------	--------------------

**UPPLANDS/VASBY**

P BODEGARD, MAGNUS K	KANALVAGEN 7 19461	46859421040	*	02975	1996	Aerospace Medicine
----------------------	--------------------	-------------	---	-------	------	--------------------

**SWITZERLAND****GENEVE**

P VILLARD, FREDERIC	MEDICAL CTR GENEVA ARPT, 20 ROUTE DE PRE-BOIS 1215	227883550	*	03001	1997	Aerospace Medicine
P HYDE, ALEXIS LOUIS	26 AV. DE LA GARE DES EAUX-VIVES 1208	41227350588	*	15846	1990	Internal Medicine

**MELIDE**

P MEILE, JEAN-OSCAR	VIA POCOBELLI 15 6815	41916494433	*	02979	1996	Aerospace Medicine
---------------------	-----------------------	-------------	---	-------	------	--------------------

**TRIMBACH, SOLOTHURN**

NAF, URS	BASLERSTR 118 4632	41622932324	*	03089	1999	Aerospace Medicine
----------	--------------------	-------------	---	-------	------	--------------------

**ZURICH**

SZE, LEON	, LIMMATQUAI 78 8001	4112618131	*	03203	2000	Internal Medicine
-----------	----------------------	------------	---	-------	------	-------------------

**ZURICH AIRPORT**

P STOESSEL, ULRICH W	SWISS INTL AIRLINES MED SVCS, 34 BALZ-ZIMMERMANN ST PO BOX CH8058	41585846835	*	03347	2005	Aerospace Medicine
----------------------	--	-------------	---	-------	------	--------------------

**SWITZERLAND - (Cont.)****ZURICH-FLUGHAFEN**

P	MUFF, SEVERIN	AIRPORT MEDICAL CTR, OFFICE BLDG PARKHAUS A P O BOX 2128 CH8058	41438166000	*	02980	1996	Internal Medicine
---	---------------	--	-------------	---	-------	------	-------------------

**TAIWAN****YOU FEN, MIAOLI**

	SHUM, PATRICK	DEPT OF OPHTHALMOLOGY, WEI GONG MEMORIAL HOSP #116 REN-AI RD	27082121	*	02969	1996	Ophthalmology
--	---------------	---	----------	---	-------	------	---------------

**TAIWAN, ROC****TAIPEI**

	SHIU, JIAN	CIVIL AVIATION MEDICAL CENTER, TAIPEI SUNG SHAN AIRPORT	225456700251	*	03286	2004	Aerospace Medicine
--	------------	--	--------------	---	-------	------	--------------------

**THAILAND****BANGKOK**

P	NAMFAR, SAYOM	PHRA MONGKUT KLAO HOSP, 315 RAJVITHI RD 10400	6625792201	*	15705	1981	Aerospace Medicine
P	KAJORNBOON, SUTUSPL	BANGKOK GENERAL HOSPITAL, 2 SOI SOONVIJAI 7 NEW PETCHBURI RD 10320	6618328601	*	01449	1991	Aerospace Medicine

**TRINIDAD & TOBAGO****PORT OF SPAIN**

	MILLAR, STUART IAN	66 PEMBROKE ST	8686245762	*	01584	1992	Family Practice/General Practice
	YIP CHOY, R TREVOR	55 WOODFORD STREET	8096227252	*	01583	1992	Family Practice/General Practice

**TURKEY****ANKARA**

	ALAN, MUSTAFA	BAROMED HIPERBARIK OKSIJEN TEDAVI MERKEZI, NASUH AKAR MAH. 1.CADDE NO:43 A-B BALGAT 06520	903122879596	*	03222	2000	Aerospace Medicine
--	---------------	--	--------------	---	-------	------	--------------------

**ISTANBUL**

	BUKUSOGLU, YUKSEL	CLINICA MEDICAL CENTER, YILDIZPOSTA CADDESI EVREN SITESI C-D BLOKLAR KAT:1 GAYRETTEPE 81070	902123475577	*	03358	2005	Family Practice/General Practice
--	-------------------	--	--------------	---	-------	------	----------------------------------

**UNITED ARAB EMIRAT****ABU DHABI**

	SODHI, SURENDRA	AL NOOR HOSPITAL, KHALIFA ST PO BOX 46713	9097126139242	*	03283	2003	Aerospace Medicine
--	-----------------	---	---------------	---	-------	------	--------------------

**UNITED ARAB EMIRATES****ABU DHABI**

P	MC CULLOCH, JOHN P R	ABU DHABI CO-OP BLDG, STE 1004 10TH FL ABOVE AL-NOOR HOSPITAL SHEIKH KHALIFA ST	97126262677	*	15779	1985	Family Practice/General Practice
---	----------------------	--	-------------	---	-------	------	----------------------------------

**DUBAI**

	AKEL, ROGER	DR ROGER AKEL'S CLINIC, 1ST FL FLAT 4 MAGRUDY CENTER JUMEIRAH BEACH RD POB 11962	97143442773	*	15795	1986	Family Practice/General Practice
P	PETHERBRIDGE, SEAN P	INFINITY CLINIC, PO BOX 215428 726 AL WASL ROAD 215428	97143948994	*	03419	2007	Aerospace Medicine

**FUJAIRAH**

	EL HUSSEIN, AHMED M.	FUJAIRAH MEDICAL CENTRE, PORT STREET PB 802	97192232555	*	03316	2005	Surgeon
--	----------------------	---	-------------	---	-------	------	---------

**UNITED KINGDOM****ABERDEEN, SCOTLAND**

	HOWARTH, PETER F	THE RECTORY, 38 OLDMELDRUM RD BUCKSBURN AB219DU	441224715146	*	15729	1982	Family Practice/General Practice
--	------------------	--	--------------	---	-------	------	----------------------------------



**UNITED KINGDOM - (Cont.)**

**BISHOPS STORTFORD**

WALLACE, JAMES T 40 HADHAM RD CM232QT 1279654053 \* 11735 1973 Family Practice/General Practice

**CHELTENHAM GLOS**

P RAMSAY, IAN D PORTLAND PRACTICE, ST PAUL'S MED CENTRE 121 SWINDON RD GL504DP 01242707792 \* 02946 1996 Family Practice/General Practice

**CHRISTCHURCH, DORSET**

HICKISH, GORDON W NEW MED CNTR, RINGWOOD RD BRANSGORE NR BH238AD 1425672857 \* 15632 1978 Aerospace Medicine

**DAVENTRY**

P VOETEN, FRANK J.A.M. DANETRE MEDICAL PRACTICE, LONDON ROAD NN114EJ 441327703333 \* 03285 2003 Family Practice/General Practice

**DORSET**

HICKISH, ANGUS E NEW MEDICAL CENTRE, RINGWOOD RD BRANSGORE NEAR CHRISTCHURCH BH238AD 1425672857 \* 02960 1996 Family Practice/General Practice

**DOUGLAS, ISLE OF MAN**

PILLING, ADRIAN C 41 SELBORNE DR IM23NJ 441624677997 \* 03241 2001 Family Practice/General Practice

**EAST LONDON, ENGLAND**

P PITTS, JOHN 10 BALTIC ST EC1Y 0UJ 441708451701 \* 03405 2007 Ophthalmology

**EASTBOURNE, E SUSSEX**

WADDY, ROSEMARY S MIS HOUSE, 23 ST LEONARDS RD BN213PX 1323724889 \* 02879 1993 Aerospace Medicine

**ESSEX**

P ORTON, PETER K AVIATION MEDICA, 150B FIRST AVE STANSTED AIRPORT BUSINESS PARK CM241RY 448701610098 \* 03211 2000 Family Practice/General Practice

**GATWICK, WEST SUSSEX**

P JOHNSTON, RAYMOND V CAA MEDICAL DEPT, AVIATION HOUSE SOUTH AREA RH60YR 441293573664 \* 02641 1993 Aerospace Medicine

P HUNTER, ROBERT M CAA MEDICAL DEPT, AVIATION HOUSE SOUTH AREA RH60YR 441293573891 \* 03231 2001 Aerospace Medicine

**GOOSTREY, CHESHIRE**

P HUDSON, MARTIN F GRASMERE MEDICAL SERVICES, 7 SWANWICK CLOSE NR HOLMES CHAPEL CW48NU 441477532527 \* 03031 1997 Family Practice/General Practice

**HARPENDEN, HERTS**

P CRANSTON, DAVID P HARPENDEN CLINIC & AEROMEDICAL CENTRE, 363 LUTON RD AL53LZ 441582764673 \* 15603 1977 Family Practice/General Practice

**HORLEY, SURREY**

P TALLENT, DAVID N BROOKDALE MEDICAL CENTRE, 79 POVEY CROSS RD RH6 0AE 441293776996 \* 02956 1996 Aerospace Medicine

P KING, CHRISTOPHER J AIRPORT MEDICAL SERVICES, 35 MASSETTS RD HORLEY RH67DQ 441293775336 \* 03427 2007 Family Practice/General Practice

**LEAMINGTON SPA**

P FOSTER-THOMPSON, FO 1 CLARENDON CRESCENT WARWICKSHIRE CV325NR 01926335487 \* 15813 1988 Internal Medicine

**LONDON**

P PERRY, IAN C THE OLD FARM HOUSE GRATELEY HANTS SP11 8JR 4401264889659 \* 11610 1969 Aerospace Medicine

P EDGINGTON, KENNETH AIRPORT MEDICAL SERVICES, 164 BISHOPSGATE EC2M4LX 4402073774646 \* 15839 1989 Aerospace Medicine

**MANCHESTER ARPT W CHESHIRE**

REISLER, RONALD AVIATION MED FAC GRP, BUS AV CTR HGR 7 W MAINTENANCE AREA M905NE 01614360129 \* 04684 1967 Family Practice/General Practice

**ROYSTON, HERTS**

P WALLACE, BRIAN A KEFFORDS BARLEY SG88LB 441763848287 \* 15592 1977 Occupational/Industrial Medicine

**SALISBURY, WILTSHIRE**

P MORGAN, DEWI R SILVER BIRCHES, WEST GRIMSTEAD SP53RE 441722710225 \* 02978 1996 Aerospace Medicine

**SCOTLAND**

P DOYLE, DAVID 35 THORN ROAD BEARSDEN, GLASGOW G614BS 441419427438 \* 02929 1995 Dermatology

**SLOUGH, BERKSHIRE**

GIBSON, TERENCE M CORPORATE HEALTH LTD, BUCKINGHAM CENTRE BRADFORD ROAD SL14PG 441753781616 \* 03276 2003 Occupational/Industrial Medicine

**SURREY**

P EDGINGTON, KENNETH AIRPORT MEDICAL SERVICES, 35 MASSETTS ROAD HORLEY NR GATWICK RH67DQ 441293775336 \* 15839 1989 Aerospace Medicine

**THORPE BAY, ESSEX**

P FEARNLEY, GEOFFREY 195 THORPE HALL AVE SS13AP 441702586028 \* 11788 1975 Aerospace Medicine

**UNITED KINGDOM - (Cont.)**

**WELWYN, HERTS**

P TREVARTHEN, FRANKLY 10 HERTFORD RD DIGSWELL AL60EB 1441438714056 \* 02626 1992 Aerospace Medicine

**VENEZUELA**

**CARACAS**

MASTRODOMENICO, RAF PO BOX 6455 1010A 582125627850 \* 11575 1993 Aerospace Medicine  
SERRANO, JORGE L POLICLINICA LAS MERCEDES, PPAL. DE LAS MERCEDES 582129939259 \* 03252 2002 Orthopedic Surgery  
AVE ANEXO A CONSULTORIO 1 A1050

**WEST INDIES**

**ST GEORGES, GRENADA**

P RADIX, MICHAEL A GRAND ANSE SHOPPING CENTRE, STE 1 PO BOX 1386 4734444855 \* 11737 1974 Family Practice/General Practice

**YEMEN**

**SANAA**

BASHA, YAHYA YAHYA BASHA'S CLINIC, ZUBAIRY ST PO BOX 2773 9671219342 \* 02877 1993 General Surgery