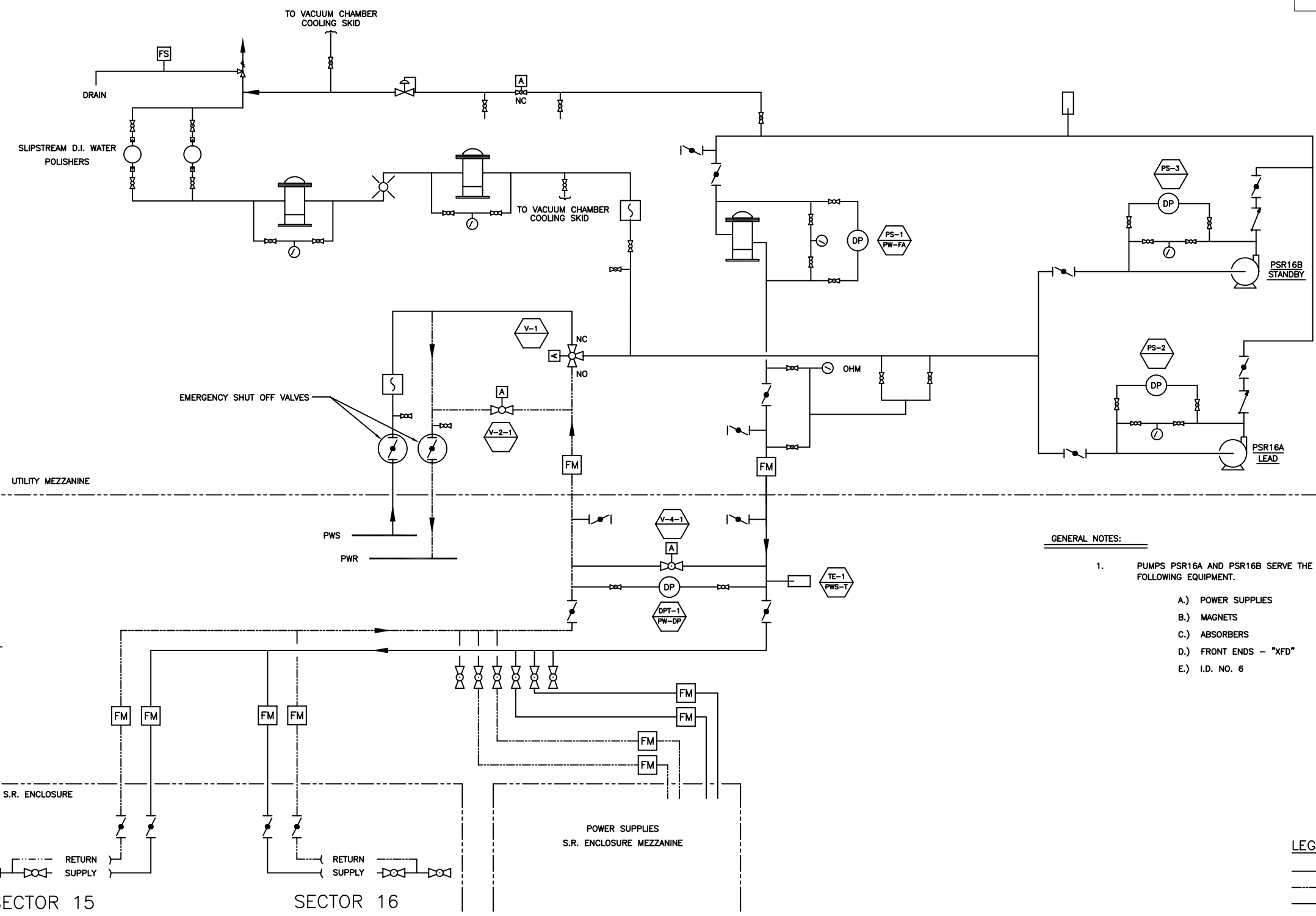


REVISIONS					
ZONE	REV	DESCRIPTION	BY	APPROVED	DATE
	01	PUMP NAMES CHANGED PER DCN 960710-03	HPC		



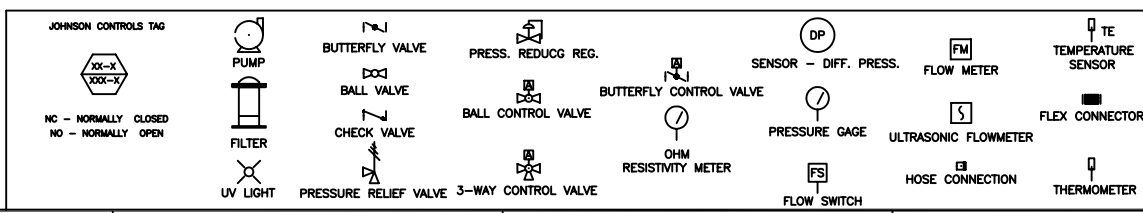
- GENERAL NOTES:**
- PUMPS PSR16A AND PSR16B SERVE THE FOLLOWING EQUIPMENT.
 - A.) POWER SUPPLIES
 - B.) MAGNETS
 - C.) ABSORBERS
 - D.) FRONT ENDS - "XFD"
 - E.) I.D. NO. 6

- LEGEND:**
- SUPPLY LINE
 - - - RETURN LINE
 - INSTRUMENTATION LINE

PUMPS PSR16A AND PSR16B SECTORS 15 AND 16

NO SCALE

NOTE: THIS DRAWING ORIGINALLY FACILITY DRAWING NUMBER J0400-1182-E-P008 SHEET 8 OF 20



ITEM	DRAWING / PART NUMBER	NOMENCLATURE OR DESCRIPTION	MATERIAL / SPEC	QTY
PARTS LIST / BILL OF MATERIALS				
UNLESS OTHERWISE SPECIFIED: ALL DIMENSIONS ARE IN INCHES		DRAWN BY: H.P. CZERWINSKI CHECKED BY: E. SWETIN DESIGNED BY: SWETIN EUGENE RESPONSIBLE ENGINEER: SWETIN EUGENE GROUP LEADER: S. SHARMA APPROVED BY:	DATE: 01/10/96 DATE: 2/22/96 DATE: 2/22/96 DATE: 2/23/96 DATE:	THIS DRAWING IS THE PROPERTY OF ARGONNE NATIONAL LABORATORY ADVANCED PHOTON SOURCE TITLE: PIPING & INSTRUMENT DIAGRAM PIPING & INSTRUMENT DIAGRAM EXPERIMENTAL HALL SECTORS 15 & 16 PUMPS PSR16A & PSR16B
MATERIAL: SEE PART LIST		APPROVED BY:	DATE:	REV. 0
ELECTRONIC FILE NAME: A2402701		APPROVED BY:	DATE:	REV. 0
SCALE: 1:1		DO NOT SCALE DRAWING	SHEET: 1 of 1	