

Skyway Pile-to-Pilecap Weld Inspection Investigation

“FHWA-Phase I”

version 6_BHM

1.0 GENERAL BACKGROUND AND PURPOSE

During the construction of the SFOBB Skyway, a welding and/or welding inspection investigation has arisen. Allegations of less than perfect welding-welding repairs have been made and are currently being investigated by the FBI. In order to assist the FBI, FHWA, and others, the California Department of Transportation is assisting those groups with understanding the approaches employed in the design of the bridge and the associated design codes in order to better understand the level of safety present in the pile-to-pilecap connection design. These slides and accompanying text, in part, are to contribute to that effort.

The slides within this package were developed to visually present and explain in a relatively simple and clear way the level of safety incorporated into the design of the Skyway pile-to-pilecap connection and how levels of safety would tend to be affected by changes in dimension and/or material strengths of the connecting welds. The fundamental approach followed to accomplish this is to extract and present from the design procedure the basic structural bridge design code equations. These equations establish conservative estimates of capacities defined first by material strengths and dimensions of the structural components, and then by reducing those numbers by multiplying them by numbers less than unity. Thus, the bridge design codes offer appropriately conservative design capacities. The purpose of this attached summary in text form is to offer a self-contained explanation of the slides, which refer to sources and/or topics, which may not be readily understood by engineers unfamiliar with the subject.

2.0 SLIDE PRESENTATION

2.1 Introduction

Slides 1 through 3 are introductory slides that offer topic and basic background information. Slides 4 through 7 offer perspective of the Skyway pilecap. Slides 4 and 5 focus the attention of the viewers to the pilecap and the pile-to-pilecap connection. Slide 6 presents a plan view and a cross-sectional view of the pilecap with the shear plates identified. Slide 7 is a photograph of a Skyway pilecap from above the pilecap prior to placement of the column reinforcement.

2.2 Pile-to-Pilecap Connection

Slides 8 and 9 are Skyway structural plan sheets showing the pile-to-pilecap details. In slide 8 a top view of the connection shows the eight different shear plates equally distributed in a circular pattern with the pile being the inner ring and the pilecap sleeve being the outer ring. This configuration offers a well-distributed stress and an indeterminate load transfer subsystem. The shear plates are slipped through cut vertical slots in the piles and the sleeves and then welds are made between the shear plates and the piles and sleeves, respectively. Slide 9 specifically offers a plan sheet that shows a cross-sectional view of the pile-to-pilecap connection including the concrete bearing system designed to transfer bending, the shear plates designed to transfer shear, and in detail the “grout-weld bead” system designed to brace the shear plates and carry a small percentage of shear during a large seismic event.

Slide 10 presents a photograph of an actual shear plate, pilecap sleeve, and the weld between the two structural elements taken inside of an actual Skyway pilecap. Within slide 10 a cross-section A-A is defined and idealized in slides 11 and 12. The weld cross-section and profile shown in slide 11, is as-assumed during the design stage. Slide 11 also documents the weld type and size established at the time of design. Further, the strength of the weld material was established to be a minimum of 70 ksi during the design phase. During the construction stage of the Skyway, the contract was changed with CCO-50 (i.e., Contract Change Order #50) to increase the beveled weld dimension from 31 to 35 mm, as shown in slide 12, to simplify the construction and inspection process. That is, the contractor offered a larger weld to streamline inspection. Slide 13 presents a photograph of a polished cross-section of an actual shear plate-to-pilecap sleeve weld extracted from the structure by FHWA. It is of value to note that Mayes Testing Engineers, who were hired to evaluate the extracted connections, evaluated these connections as possessing “excellent workmanship.” In this slide the basic geometry of the partial-joint-penetration (PJP) weld can be more easily understood, as well as the effective throat dimension. With this slide, it may be valuable to some viewers/readers to understand that in a PJP weld, the weld does not extend all of the way through the base metal interface by definition.

2.3 Pilecap Mechanics During a Large Earthquake

The Skyway is designed to withstand 1500-year return period earthquake motions. The pilecap is part of that system. The seismic response is complex, but for purposes of communicating fundamental approaches within the design, a pier can be considered to have two basic behaviors: one in which the pilecap and the superstructure sway back and forth in the same direction, and another in which the pilecap and the superstructure sway back and forth in opposite directions. These fundamental behaviors were identified during the design phase of the project and are illustrated in slides 14 and 15. Depending on the dominant type of behavior excited during a particular earthquake, the loading from the column to the pile will vary in direction and magnitude. This information, combined with principles of limit state structural mechanics, allow engineers to picture conditions that are likely to develop if such a rare earthquake occurs.

Slide 16 offers an idealized free-body-diagram (FBD) of the anticipated deformed shape and loading on the pilecap. The pilecap is anticipated to have loads applied from the column (shown in orange), from the piles (shown in green), and from the inertia of the pilecap itself (shown in yellow). Further, slide 17 is a simplified illustration that offers insight into the basic working mechanics of the pile-to-pilecap connection. The illustration demonstrates that movement of the pilecap relative to the piles creates a set of moments, shears, and axial loads through the connection. The transfer mechanism between a column, its pilecap, and piles is 3-dimensional and complex, but if simplified to its very basics, the following statements can be made. The axial load in the piles is predominately carried through the connection by the shear plates. The moment in the piles is carried through the connection by the eccentric and opposing lateral loads (i.e., force couple) at the top and bottom of the pile-to-pilecap connection and incremental differentials in shear on the sides of the pile. And finally, the shear in the pile is carried through the pile-to-pilecap connection through the lateral system.

2.4 Weld Shear Strength

As is illustrated in slide 17, load through the shear plates is complex, but is predominantly shear, hence the label “shear plate.” The American Association of Highway and Transportation Officials (AASHTO) bridge design code offers a formula to designers that defines an appropriately safe and conservative design. The design formula for this type and geometry of

weld is offered and explained in slide 18. The formula includes numbers less than 1.0 to reduce the minimum strength required by the contract to a conservative strength that has a very high probability associated with it. Also in the formula are the minimum weld material strength that the contractor must supply by contract and the minimum weld throat thickness the contractor must supply by contract. It is valuable to recognize that confidence in the capacity of the weld is in part developed by knowing the contractor is held to minimum contract requirements AND the designers are required to assume a reduced weld capacity well below the capacity required of the contractor. These reduction factors are in part to account for less than perfect craftsmanship and material strengths in construction.

2.5 Measurements of Welds Taken During Skyway Construction Phase

In order to develop new and additional physical test data FHWA extracted samples from the actual Skyway bridge structure. This work allowed for normally unattainable measurements of the pile-to-pilecap sleeve welds to be obtained for review. Those measurements offer clear documentation that the extracted welds from the Skyway were even better than that required by the contract. Slide 19 is a simple statement addressing this work.

Slides 20 and 21 highlight that data from actual extracted welds show that all of the measured welds were actually larger than what is required by the contract, offering extra safety. Slide 20 presents the design specified weld throat thickness, 40 mm, and the range of weld throat thickness measurements, 45 to 57 mm. Slide 21 is a selected image from the Mayes Testing Engineers' report, which reports that the average throat thickness measured was 25% greater than that required.

Slides 22 through 24 highlight that test data from the weld procedure qualification trials, documented in the procedure qualification records (PQRs) show the weld material used in those welds is stronger than that required by the contract. Slide 22 presents the design specified weld tensile strength is 70 ksi and the PQR documents received from METS, report tensile strengths ranging from 89 to 93 ksi, offering greater safety. Slide 23 is a selected image from the Fisher-FHWA report documenting the over-strength. It is worth noting that the Fisher report reference calls out yield strength. Regardless if a reference to yield strength, or ultimate strength is used, the points is the same, the actual weld samples showed higher

strengths than required by the contract. Slide 24 offers a sample of a PQR and its documentation of over-strength.

3.0 SUMMARY

Slides 25 through 27 are summarizing slides. Slide 26 offers the opportunity to summarize the level of safety in a more qualitative sense, while slide 27 offers a similar opportunity in a more quantitative sense. Both slides project from the basic weld shear strength equation presented previously in slide 18. From these summarizing slides it is clear the appropriate application of the code shear strength equation, the over-sized welds, and the weld material over-strength offer considerable reserve strength, adding to the level of safety of the bridge.

REFERENCES

Skyway Plans and Specifications, various dates.

Skyway Procedure Qualification Records (PQRs), various dates.

Fisher, J., FHWA Bay Bridge Pile Connection Plate Welding Report, FHWA, 2005.

Mayes, M., Oakland Bay Bridge Pile Connection Plate Weld Investigation Report, FHWA, 2005.

AASHTO Bridge Design Specifications, 1994.

ANSI/AASHTO/AWS D1.5-95, Bridge Welding Code, 1995.

Popov, E., Mechanics of Materials – 2nd Edition, Prentice Hall, 1976.

Vanderbilt, M.D., Matrix Structural Analysis, Quantum, 1974.

Galambos, T., Lin, F.J., & Johnston, B., Basic Steel Design with LRFD, Prentice Hall, 1996.

AUTHORS

Major contributions to this package were made by the following personnel: Sajid Abbas, Ade Akinsanya, and Brian Maroney of Design; Jim Merrill of METS; Mark Woods of Construction; and Nancy Bobb of FHWA.

Pile-to-PileCap Connection

FHWA Phase I

SFOBB
Skyway



California Department of Transportation
Federal Highway Administration

Background

During the construction of the SFOBB Skyway, a welding and/or welding inspection investigation has arisen. Allegations of less than perfect welding-welding repairs have been made and are currently being investigated by the FBI. In order to assist the FBI, FHWA, and others, the California Department of Transportation is assisting those groups with approaches in the design and the associated design codes. These slides and accompanying text, in part, are to contribute to that effort.

Smart analysis is well-planned analysis

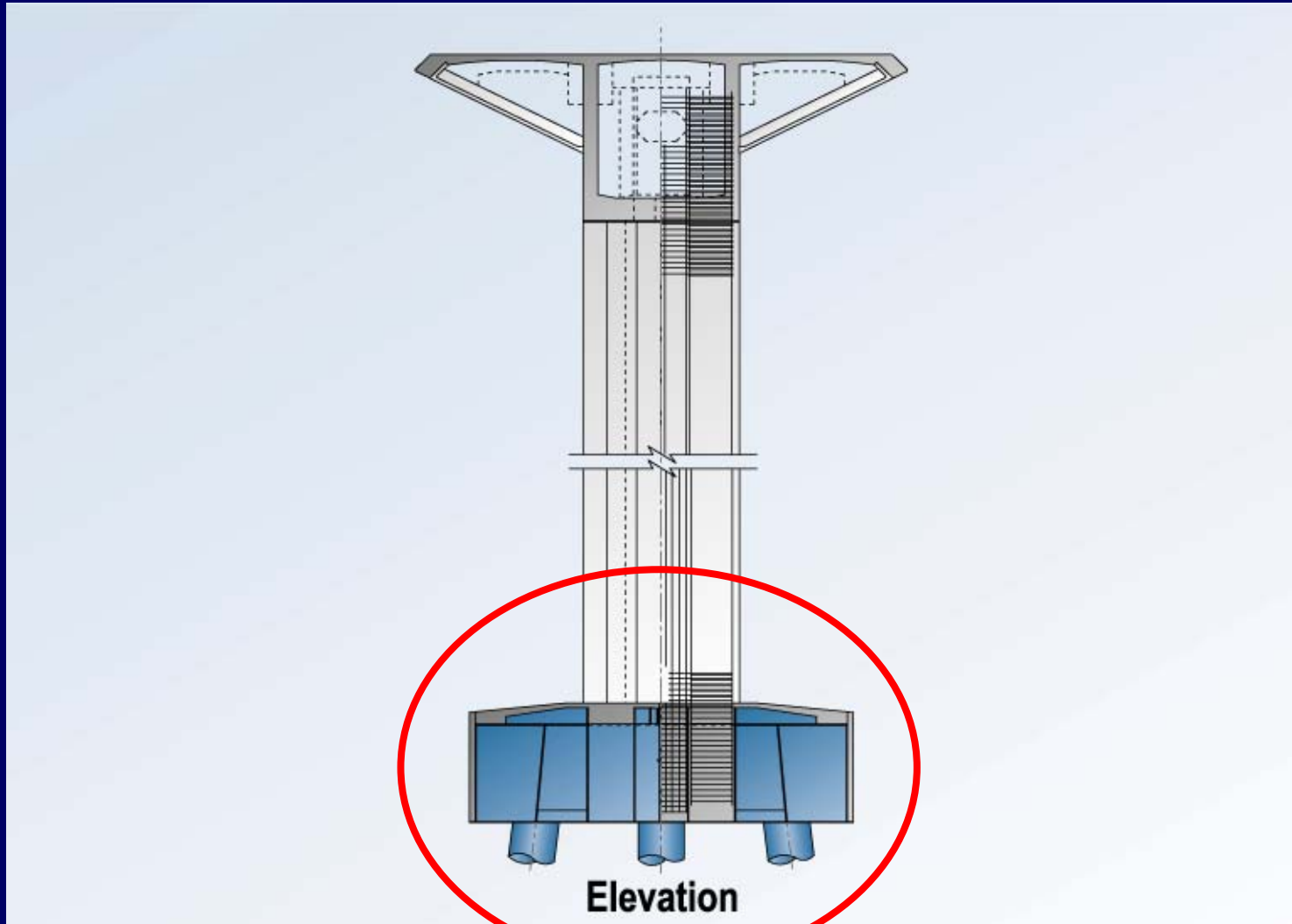


Though there are commonly a multitude of perspectives and solutions to a problem, the best models and/or solutions are always the simplest that offer the necessary accuracy and no more. With this strategy in mind, the California Department of Transportation and the Federal Highway Administration have advanced an effort to communicate the level of safety offered in the design by its adherence to the AASHTO bridge design code and the AWS D1.5 bridge welding code. The design and the codes do not assume or require “perfect” welds, which are improbable. This effort has been formally labeled “FHWA-PHASE I.”

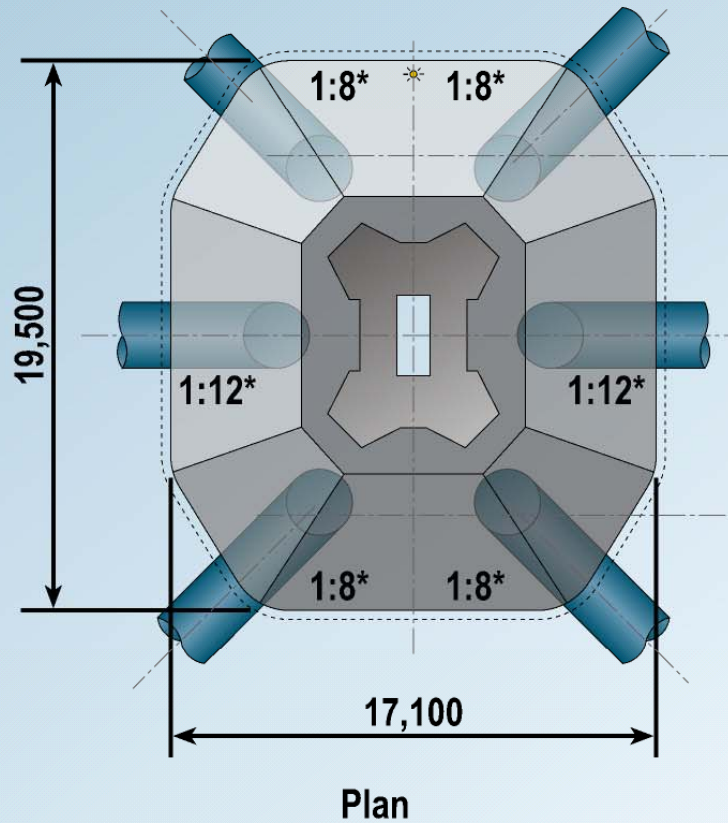
Skyway pilecap



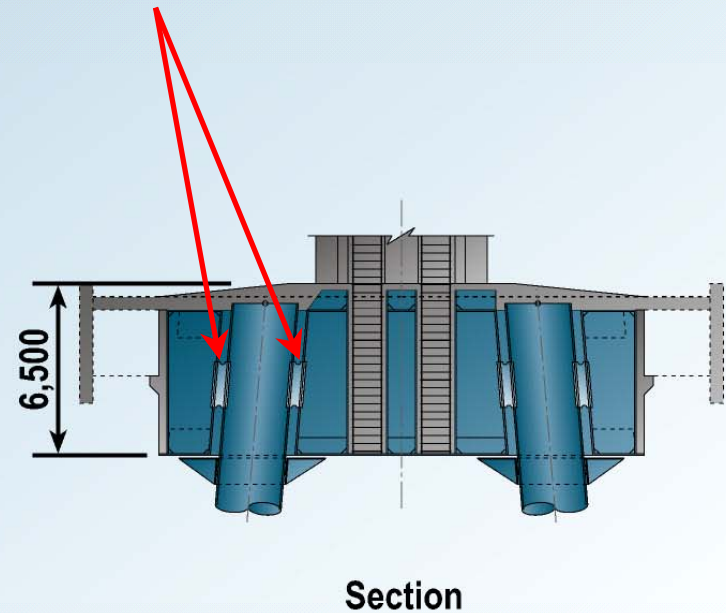
SFOBB East Span Pier Transverse Section



SFOBB East Span Pilecap



8 SHEAR PLATES CONNECT EACH PILE TO THE PILE -CAP



SFOBB East Span Pilecap in the Field



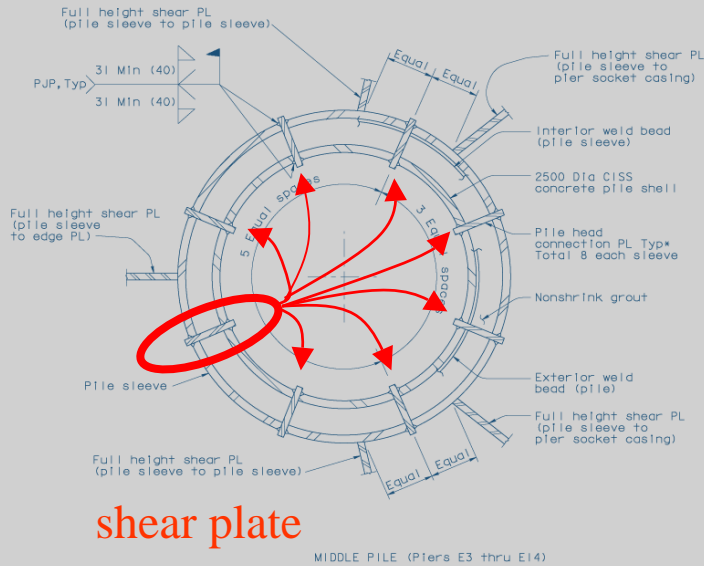
California Department of Transportation
Federal Highway Administration

Details of the Eight Shear Plates (Plan View)



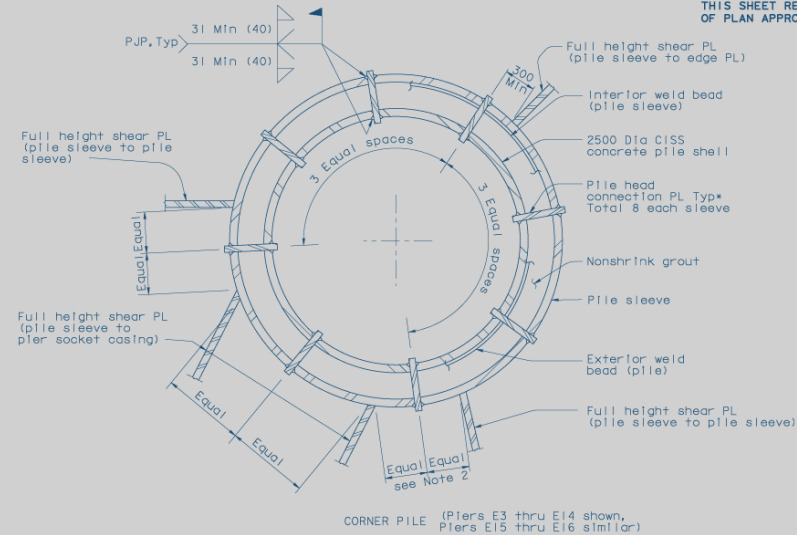
DIST.	COUNTY	ROUTE	KILOMETER POST TOTAL PROJECT	SHEET NO.	TOTAL SHEETS
04	SF, Alq	80	13.9/14.3, 0.0/1.6	491R	978

Madan K. Sah
 REGISTERED ENGINEER - CIVIL
 6-4-01
 PLANS APPROVAL DATE
 The State of California or its officers or agents shall not be responsible for the accuracy or completeness of electronic copies of this plan sheet.
 T-Y LIN / MOFFATT & NICHOL
 825 BATTERY STREET
 SAN FRANCISCO, CA 94111
Caltrans now has a web site. To get to the web site go to: <http://www.dtd.ca.gov>
THIS SHEET REPLACES SHEET NO. 491 OF 978 OF PLAN APPROVED JUNE 04, 2001



shear plate

MIDDLE PILE (Piers E3 thru E14)



CORNER PILE (Piers E3 thru E14 shown, Piers E15 thru E16 similar)

* Pile head connection PLs are located radial and parallel to center line pile sleeve

SECTION C-C
1:20

NOTES:

- For "Welding Notes", see "Footing Details No. 1" sheet.
- Specified "Equal" spacing for pile head connection PL is measured at midheight of pile head connection PL.

CONTRACT CHANGE ORDER NO. _____
SHEET _____ OF _____

R.S. Bagha
DESIGN OVERSIGHT
R.S. Bagha
SIGN OFF DATE 11/17/00
Rev. date 5-18-98

DESIGN	BY M. Sah/R. Nutt/J. Denis	CHECKED T. Ingham
DETAILS	BY M. Sah	CHECKED T. Ho
QUANTITIES	BY J. Levant [n]	CHECKED D. Harrison

PREPARED FOR THE
STATE OF CALIFORNIA
DEPARTMENT OF TRANSPORTATION

Sajid Abbas
PROJECT ENGINEER
BRIDGE NO. 34-0006
KILOMETER POST 13.9/14.3, 0.0/1.6

SAN FRANCISCO OAKLAND BAY BRIDGE
EAST SPAN SEISMIC SAFETY PROJECT

SKYWAY STRUCTURES
FOOTING DETAILS NO. 6

CU 04
EA. 012021

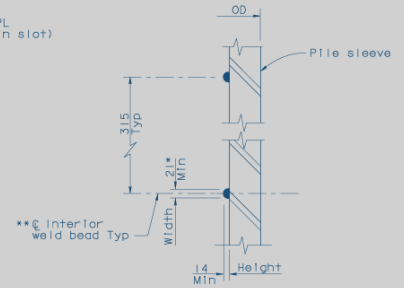
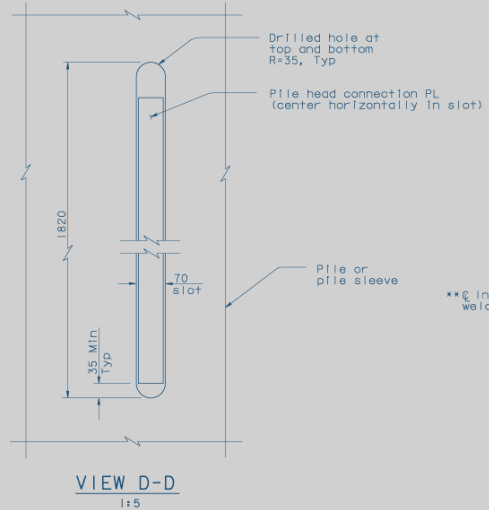
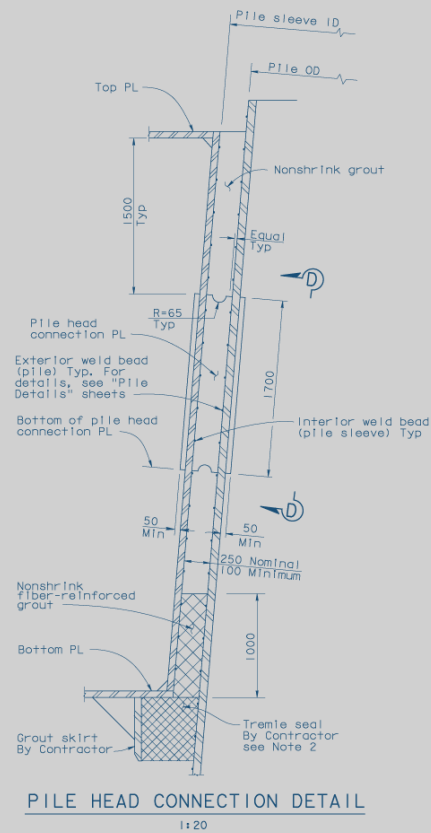
REVISION DATES: (FIELD USE ONLY)
SHEET 060 OF 060

ORIGINAL SCALE IN MILLIMETERS FOR REDUCED PLANS: 0 10 20 30 40 50 60 70 80 90 100

FILE: \\X:\TYLIN\Information\Mapstation\control\CC0-F11e\Updates\CC0-Working Files\Access\cos\Invoe\Fig06.dgn

100% P&E
DATE PLOTTED: 05/07/06 09:25:50 AM
USER: NAME: 03 DAWK

Details of the Shear Plates Connecting the Piles to the Pile Sleeves (Elevation)



INTERIOR WELD BEAD (Pile sleeve)
1:5

- Weld bead width shall be minimum 1.5 times weld bead height
- Weld bead shall be continuous

- NOTES:**
- For "Welding Notes", see "Footings Details No.1" and "Footings Details No.2" sheets.
 - Tremie seal pour must not be above bottom of bottom PL.

CONTRACT CHANGE ORDER NO. _____
SHEET _____ OF _____

DIST.	COUNTY	ROUTE	KILOMETER POST TOTAL PROJECT	SHEET NO.	TOTAL SHEETS
04	SF. Alq	80	13,974.3, 0,071.6	492R	978

Madan K. Sah

REGISTERED ENGINEER - CIVIL

6-4-01

PLANS APPROVAL DATE

The State of California or its officers or agents shall not be responsible for the accuracy or completeness of electronic copies of this plan sheet.

T.Y. LIN / MOFFATT & NICHOL
825 BATTERY STREET
SAN FRANCISCO, CA 94111

Caltrans now has a web site. To get to the web site go to: <http://www.fdot.ca.gov>

REGISTERED PROFESSIONAL ENGINEER

Madan Kumar Sah

No. C 59203

Exp. 5/30/03

CIVIL

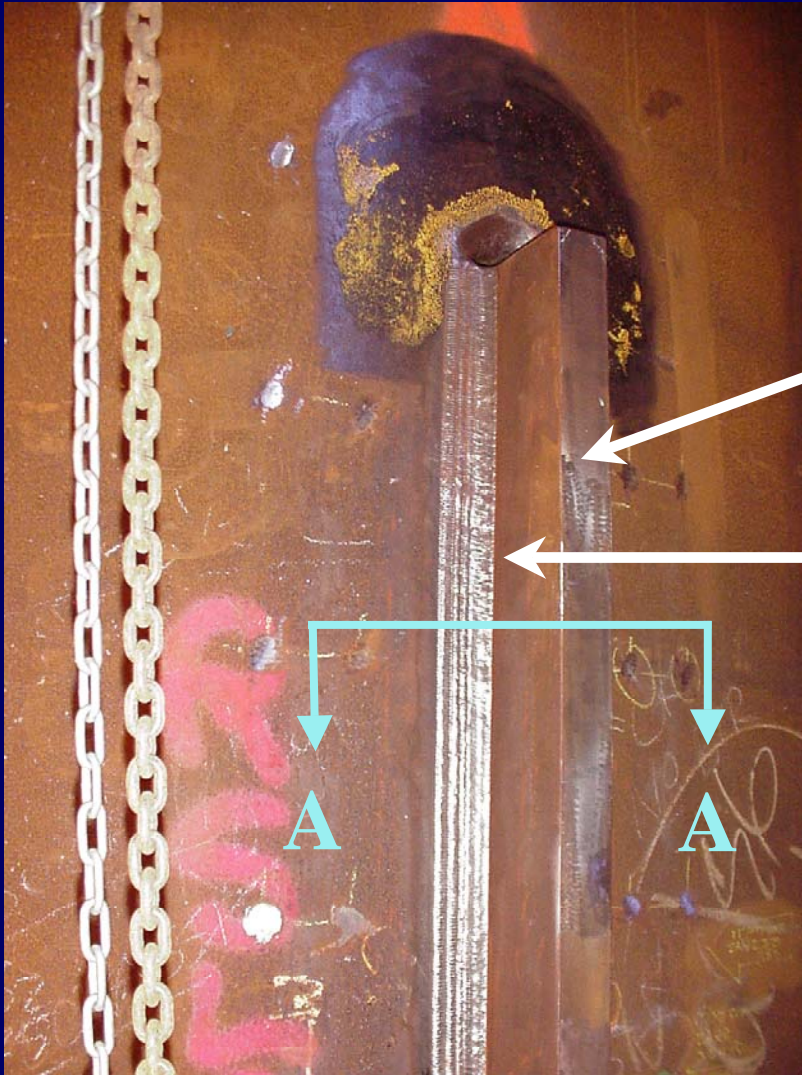
STATE OF CALIFORNIA

THIS SHEET REPLACES SHEET NO. 492 OF 978 OF PLAN APPROVED JUNE 04, 2001

R. S. Bagha DESIGNED OVERSIGHT <i>R. S. Bagha</i> SIGN OFF DATE 11/17/00 Rev. Date 5-18-00	DESIGN BY M. Sarfar, R. Nutt, J. Denis CHECKED T. Ingham DETAILS BY M. Sah CHECKED T. Ho QUANTITIES BY J. Leventhal CHECKED D. Harrison	PREPARED FOR THE STATE OF CALIFORNIA DEPARTMENT OF TRANSPORTATION	SAJJID ABAS PROJECT ENGINEER	BRIDGE NO. 34-0006 KILOMETER POST 3,974.3, 0,071.6	SAN FRANCISCO OAKLAND BAY BRIDGE EAST SPAN SEISMIC SAFETY PROJECT SKYWAY STRUCTURES FOOTING DETAILS NO. 7
ORIGINAL SCALE IN MILLIMETERS For REDUCED PLANS			CU 04 EA 012021	DISBURSED PRINTS BEARING EARLIER REVISION DATES	REVISION DATES (REV. IN ITALIC STATE ONLY) SHEET 061 OF

DATE REVISED: 04/26/2005
100% PS&E
DATE REVISED: 03/09/04 IN

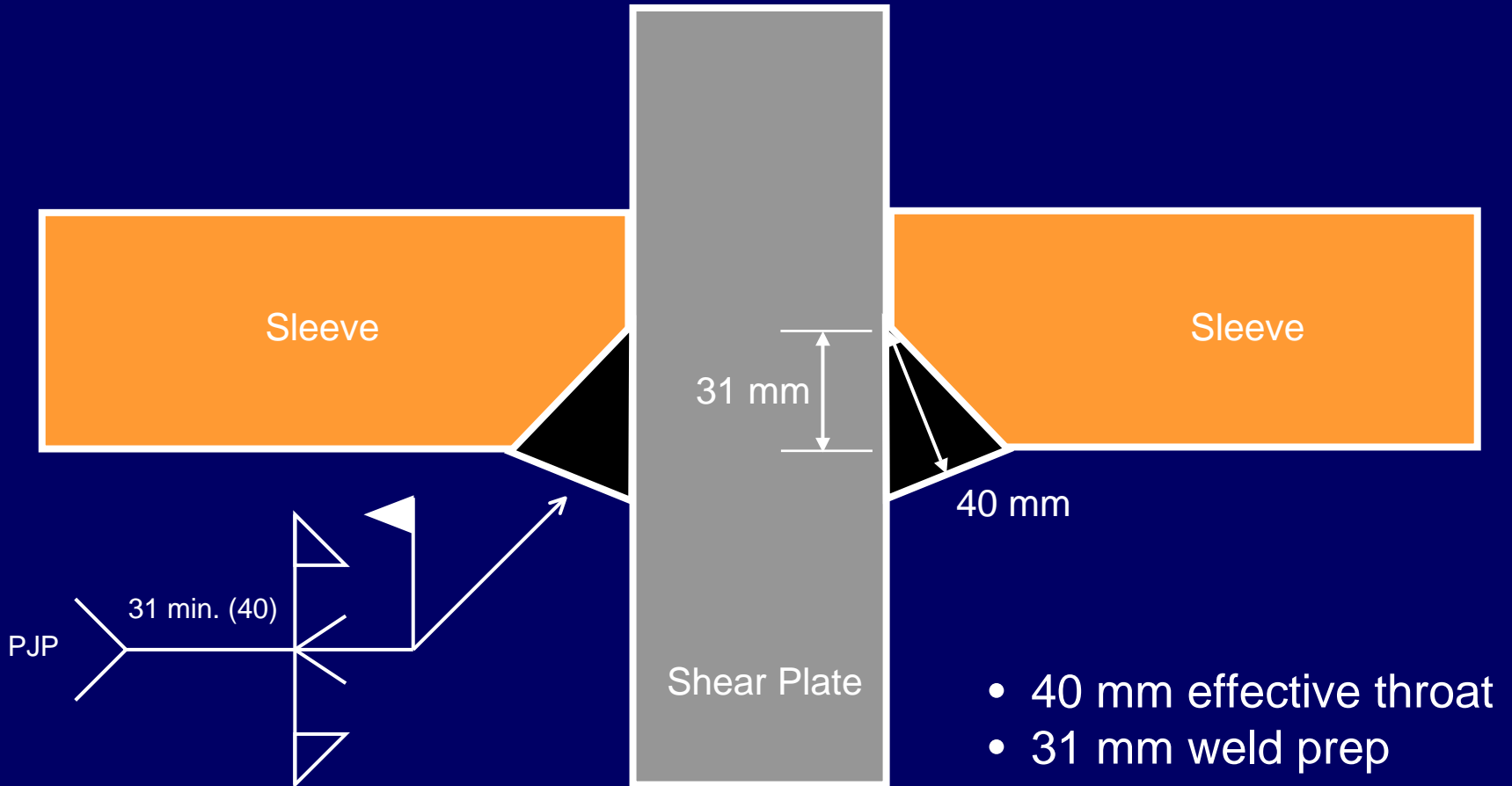
Zooming in on one of the Welded Shear Plates



SHEAR PLATE
IN THE FIELD

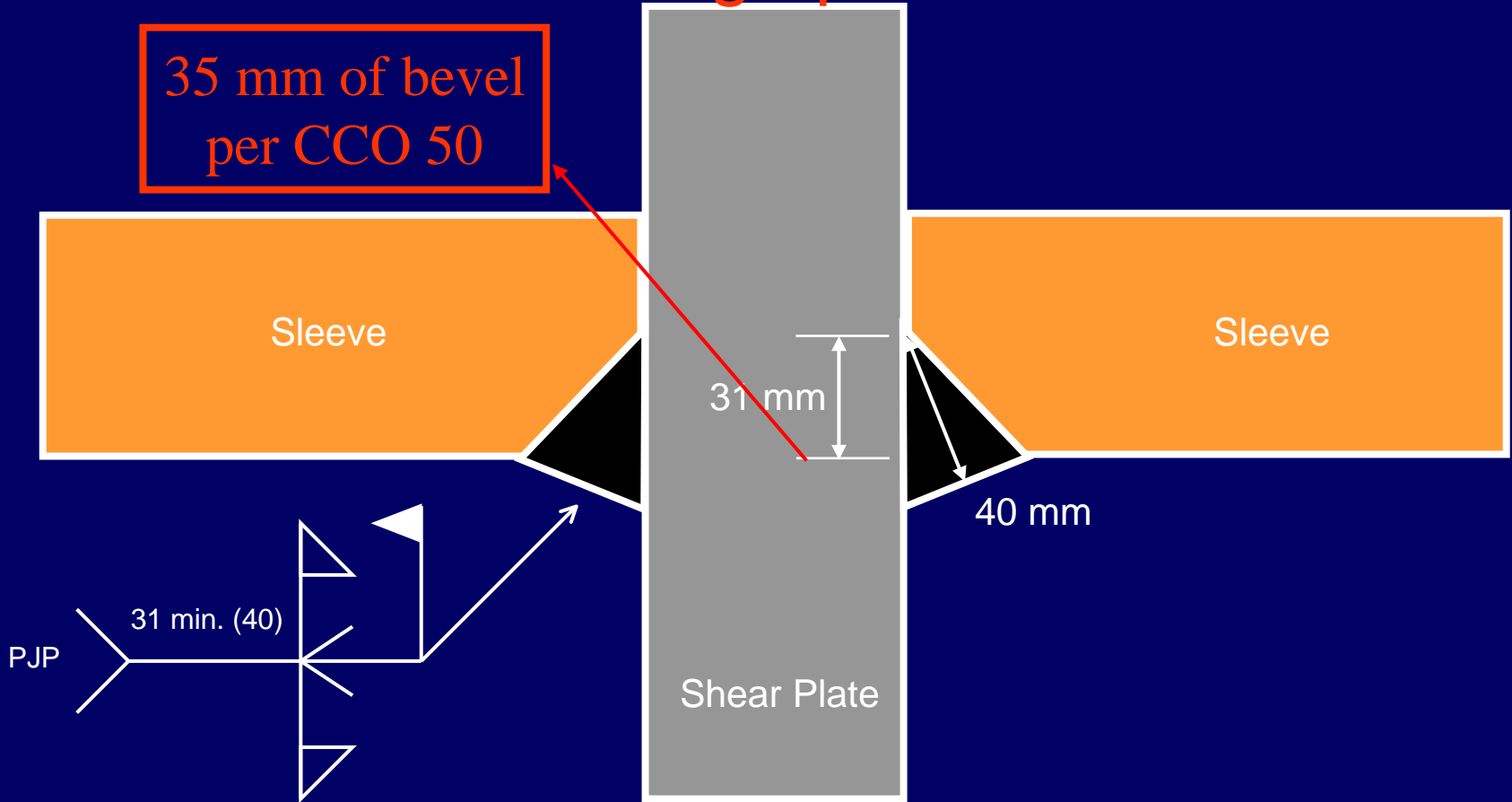
SHEAR PLATE TO PILECAP
SLEEVE WELD IN THE FIELD

Weld Profile (as-designed)



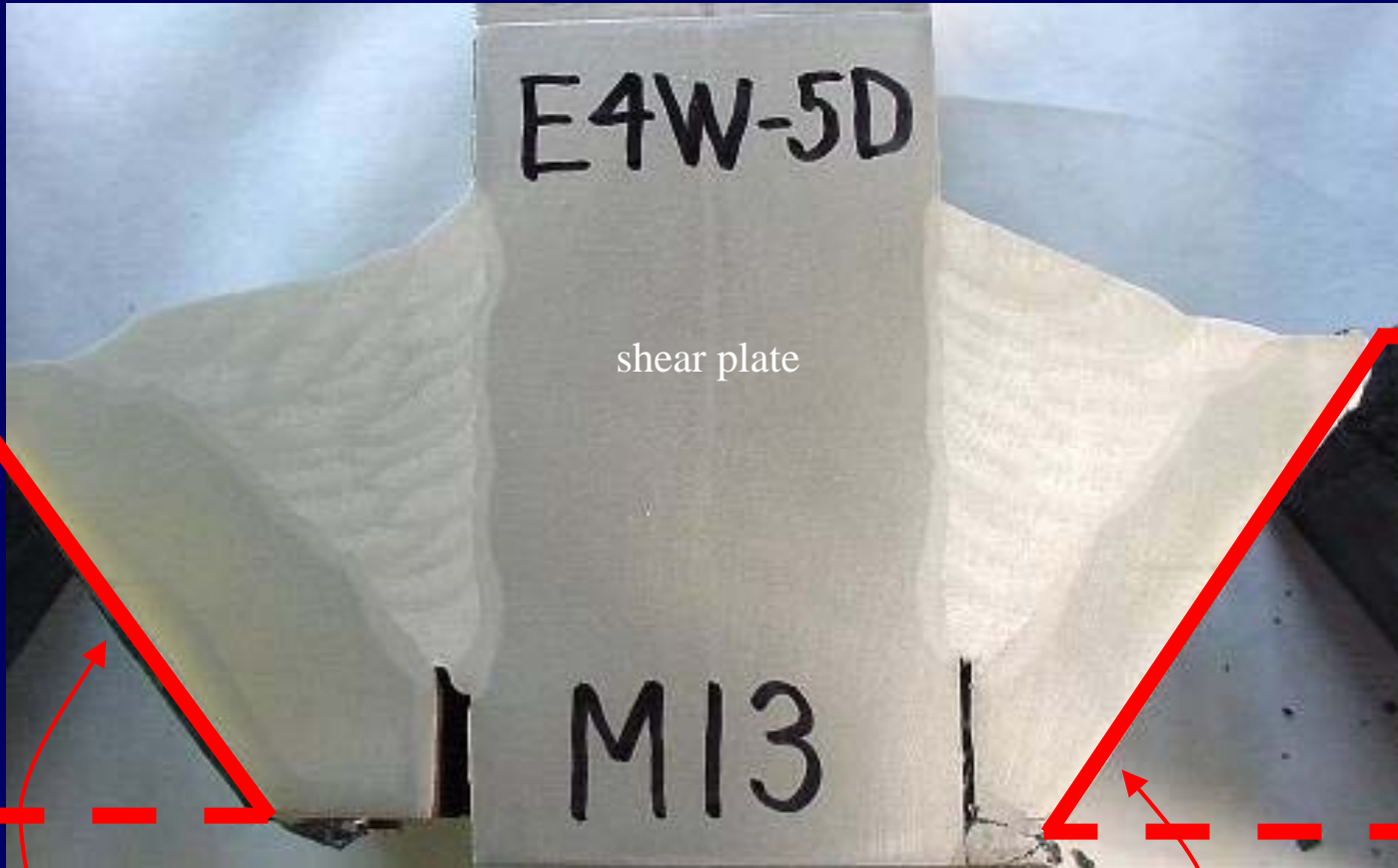
View from A-A

Weld Profile (per designed) and change per CCO 50



View from A-A

Extracted Welded Connection from Skyway Structure Showing Weld Profile and Detail of a PJP weld

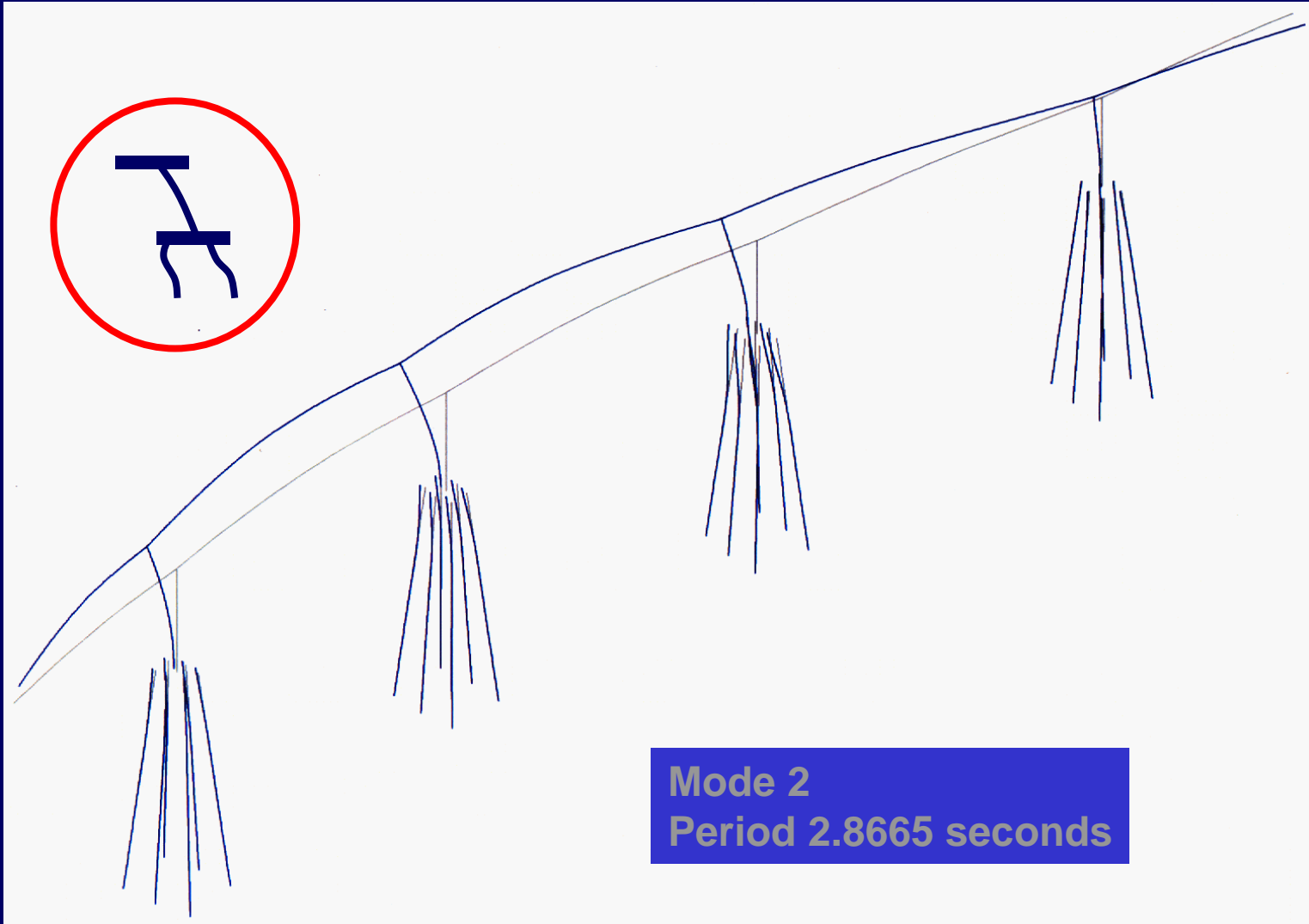


sleeve

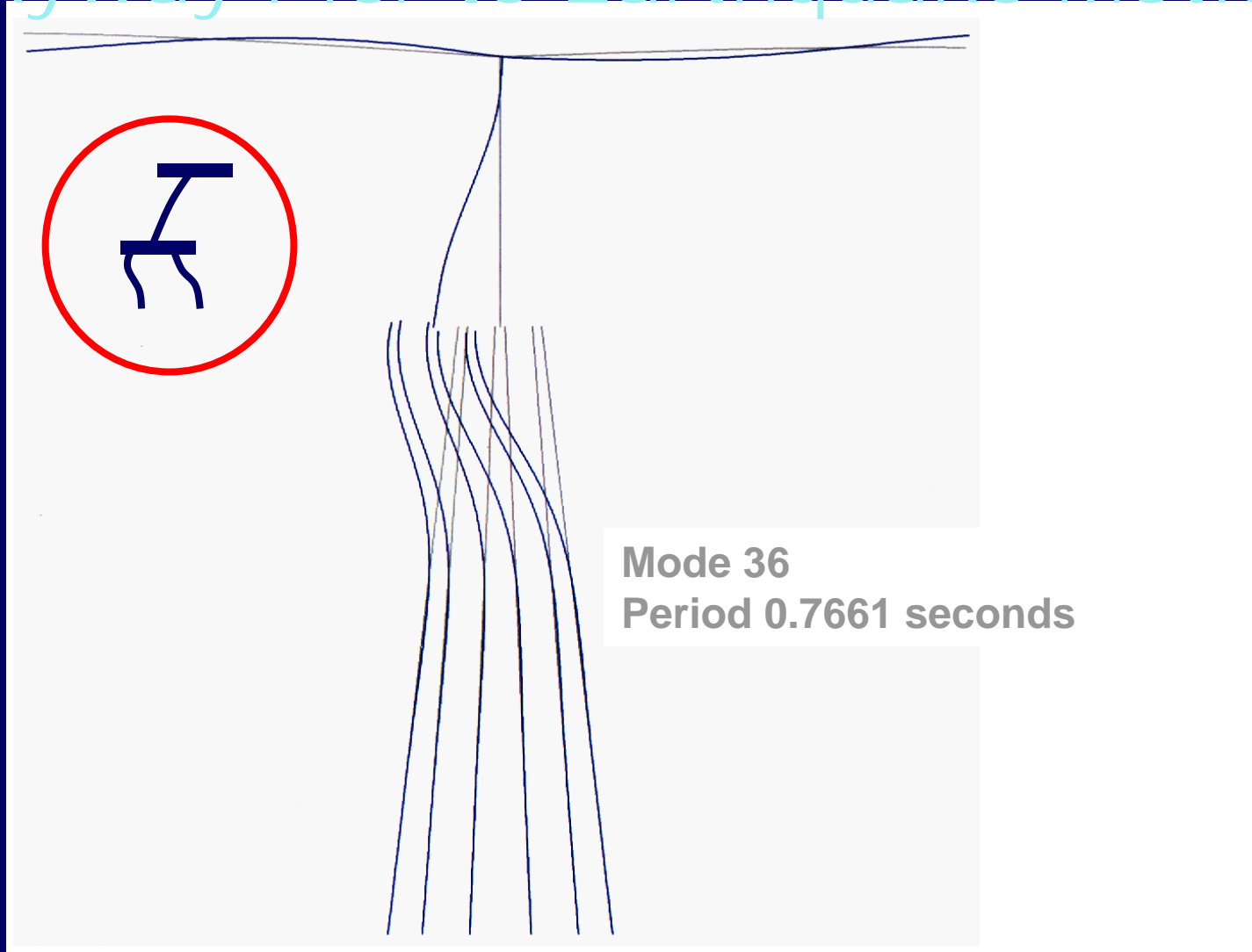
sleeve

Cut line

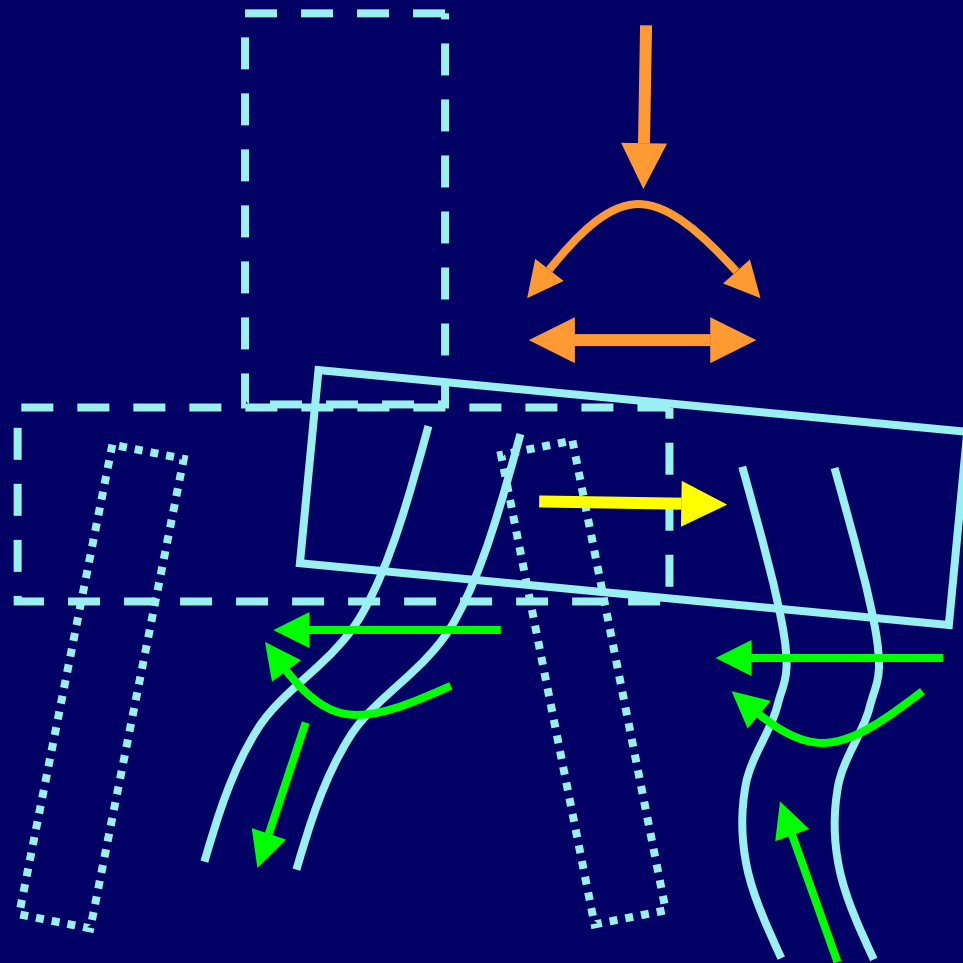
Note Fundamental Behavior of Skyway Pier to Earthquake Motions



Note Secondary Behavior of Skyway Pier to Earthquake Motions



Anticipated Deformed Shape and Free-Body-Diagram of Pilecap Region During a Future Earthquake



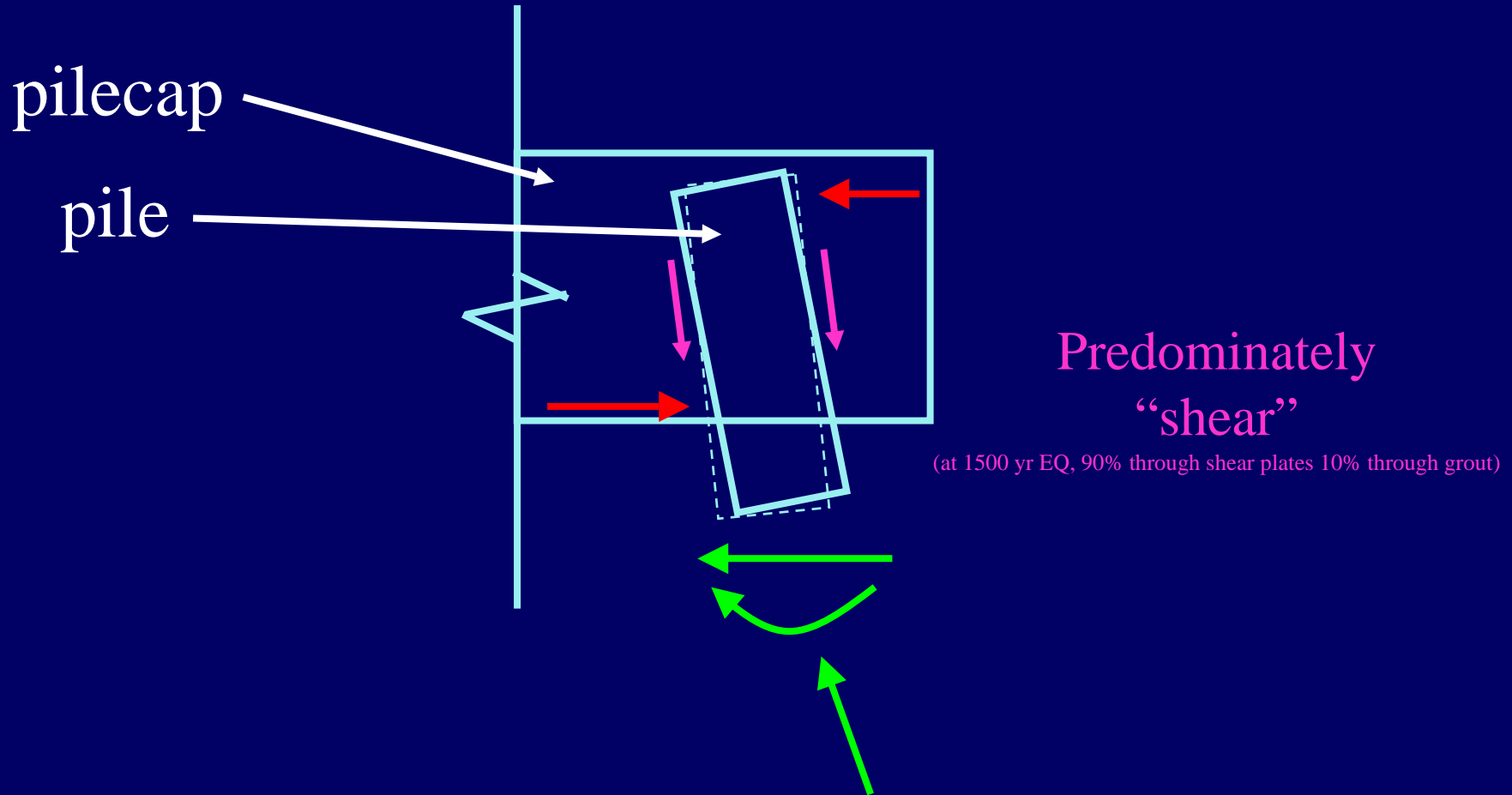
Earthquake related loads from column in orange

Earthquake related loads from pilecap inertia in yellow

Earthquake related loads from piles in green

Anticipated Free-Body-Diagram of Pile-to-Pilecap Region During a Future Earthquake

"basic load transfer through connection"



Skyway pile-to-pilecap weld design

$$\text{Shear Capacity} = 0.8 * (0.6 * F_{EXX}) * t * L$$

Capacity reduction factors to account for “real world” strength of weld imperfections (craftsmanship, dimensions, weld material strength) and to keep allowable in the elastic range

Minimum specified strength of weld material

Throat thickness of weld

Length of weld

Reference: AASHTO LRFD BRIDGE DESIGN SPECIFICATIONS 6.13.3

FHWA has carried out selected sampling in the field and conducted measurements on those samples. That work offered documentation that the work sampled is even better than that assumed during the design phase and is even better than that specified by the contract, which is also better than that assumed during the design phase (as appropriate per code).

Actual Weld Oversize (FHWA)

- Effective weld throat at Pier E4W is greater than design requirements
 - Design required: 40 mm
 - Field measured: 45 mm to 57 mm
(average = 51.5 mm)
- This offers data to support that the actual size of the weld is larger than required. This leads to extra safety.

Actual Weld Oversize (Based on Report by Mayes)



Figure 1: Pier footing at E4W

Summary of Results

The field and laboratory work performed by the Mayes Testing Engineers evaluation team shows excellent workmanship in the pile connection plate welds in pier footing structure E4W. There was no evidence of gross flaws. In fact, there was no evidence of any unacceptable flaws in any of the samples tested. The weld cross-section significantly exceeds the minimum design requirements. The weld average cross-section depth (weld effective throat) is 25 percent greater than design requirements and the weld cross-section also shows a very regular pattern of weld bead deposition indicating a consistent and controlled welding process.

Reportedly Submitted
MAYES TESTING ENGINEERS, INC.



Michael J. Mayes, P.E.
Welding Engineer/NDE Level III

Oakland Bay Bridge Pile Connection Plate Welding Investigation Report

Federal Aid Project ACIM-080-1 (085) 8N
MTE File No. 55921

May 3, 2005

Summary of Results

The field and laboratory work performed by the Mayes Testing Engineers evaluation team shows excellent workmanship in the pile connection plate welds in pier footing structure E4W. There was no evidence of gross flaws. In fact, there was no evidence of any unacceptable flaws in any of the samples tested. The weld cross-section significantly exceeds the minimum design requirements. The weld average cross-section depth (weld effective throat) is 25 percent greater than design requirements and the weld cross-section also shows a very regular pattern of weld bead deposition indicating a consistent and controlled welding process.

Actual Weld Over-Strength

Weld strength greater than design requirements

Design required: 70 ksi

PQR measured yield strength: 76 to 83 ksi

PQR measured F_{EXX} strength: 89 to 93 ksi

→ This offers data to support that the actual strength of the weld is larger than required. This leads to extra safety.

Actual Weld Over-Strength (Documented in Report by Fisher)

FHWA Bay Bridge Pile Connection Plate Welding Investigation

By John W. Fisher, PhD, PE

Introduction

Following is my report on our meetings on April 18, 19 and 20, 2005 with Caltrans and the contractor to inspect the partial penetration welds that connect the vertical pile foundation box. The inspection focused on two specific welded joints at defective welding was alleged to occur. In addition, a number of other welds and finish. This included Pile 2 location F and Pile 3, locations C

Quality Control/Quality Assurance

The briefing by Caltrans and their QA engineer, Jim Merrill of MACTECI examples of QC and QA documents indicated that the Caltrans QC and states for weld quality.

The project also required the construction of a full size mock-up of a pile welding requirements for pile and pile sleeve connections. The mock-up means of assuring weld quality.

The partial penetration joint welds between the 2.36 in. thick pile and pile welds with E71T-1 flux core electrodes. The root passes were either made by magnetic particle tested over their full length by QC and by 1 passes. It generally took about 20 minutes for each vertical up pass and reposition the welding unit, make adjustments and assist the machine. I inspected each 30 minutes by the QC inspectors which resulted in some. Between 18 and 21 passes were needed for each weld.

Initial Fabrication Experience

When the first foundations were being welded in 2003, problems developed hydrogen cracking and brittle fractures developing in the base metal of the base metal. These problems were not observed in the mock-up which was preheat at the base metal and the pile sleeve holes at each end after the weld tabs.

Field Observations

The site visit on Pier E4W. Characteristic welds observed are provided in the partially ground upper opening at Pier 2, location F where the run off tabs had shape.

$$P_u = \frac{50}{\sqrt{3}} \times 68 \times 2.36 = 4,632.7 \text{ kips}$$

c) FLP Welds

On the Weld Throats:

$$P_u = 0.7E_{min} \times L_w \times t_w > \Sigma$$

Where: L_w = Length of the weld, in.

t_w = Weld throat size, in.

E_{min} = Minimum strength of the electrode, ksi

$$= 0.7 \times 70 \times 68 \times 1.575 \times 2 = 10,495.8 \text{ kips}$$

On the Weld leg:

$$P_u = 0.7E_{min} \times L_w \times l_w > \Sigma$$

Where: L_w = Length of weld, in.

l_w = Weld leg size, in.

From the weld qualification test data that was provided by Caltrans, the notch toughness test data of the E71T-1 weld metal was quite high. Values at 0°F were in the range of 57ft-lbs. to 91ft-lbs. for the weld metal. The weld yield point was between 76ksi and 83ksi. Hence, the fracture resistance to small cracks or other discontinuities in the weld will be very great and will not be susceptible to fracture. It was hydrogen cracking and high restraint that resulted in cracks extending into the base metal that resulted in the fractures in the early fabrication.

was eliminated by making changes to the weld process, using run off tabs to start and stop the weld passes and to provide more effective preheat.

From the weld qualification test data that was provided by Caltrans, the notch toughness test data of the E71T-1 weld metal was quite high. Values at 0°F were in the range of 57ft-lbs. to 91ft-lbs. for the weld metal. The weld yield point was between 76ksi and 83ksi. Hence, the fracture resistance to small cracks or other discontinuities in the weld will be very great and will not be susceptible to fracture. It was hydrogen cracking and high restraint that resulted in cracks extending into the base metal that resulted in the fractures in the early fabrication.

That is being prevented by the careful inspection of the base metal at the access holes after the welded joints are completed, the run off tabs removed, and the access hole cleaned and ground smooth.

This fact can be seen by examining the fracture resistance to a hypothetical but unlikely 0.25in. deep surface crack in the weld metal at the access hole.

The fracture toughness of the weld metal can be estimated from the Charpy V-Notch test data using the Barsom correlation

Actual Weld Over-Strength Example from Procedure Qualifications Records (METS)

CONSOLIDATED ENGINEERING LABORATORIES

KIEWIT / FCI / MANSON, AJV Page 2 of 2
FCV/01

Procedure Qualification Record

TEST RESULTS

TENSILE TEST

Specimen no.	Width	Thickness	Area	Ultimate tensile test, lb	Ultimate unit stress, psi	Character of failure and location
1	1.019	0.879	0.980	89,000	82,700	BASE DUCTILE
2	1.005	0.990	0.995	78,000	80,200	BASE DUCTILE

GUIDED BEND TEST

Specimen no.	Type of bend	Result	Remark
1	SIDE	SATISFACTORY	PER S.19.2
2	SIDE	SATISFACTORY	
3	SIDE	SATISFACTORY	
4	SIDE	SATISFACTORY	

VISUAL INSPECTION

Appearance: ACCEPTABLE
Undercut: NONE
Piping porosity: NONE
Convexity: ACCEPTABLE
Test date: 10/10/2004
Witnessed by: TERRY HINES, CWI

Radiographic-ultrasoniceamination

RT report no: SE11 Result: ACCEPTABLE
UT report no: N/A Result: N/A

FILLET WELD TEST RESULTS

Minimum size multiple pass: _____
Maximum size single pass: _____
Macroetch: _____
Macroetch: _____

Other Test

WELD CVN @ 0 F (R 1/4) SP, 85, 92, 95, 100, 110, 120, 130, 140, 150, 160, 170, 180, 190, 200, 210, 220, 230, 240, 250, 260, 270, 280, 290, 300, 310, 320, 330, 340, 350, 360, 370, 380, 390, 400, 410, 420, 430, 440, 450, 460, 470, 480, 490, 500, 510, 520, 530, 540, 550, 560, 570, 580, 590, 600, 610, 620, 630, 640, 650, 660, 670, 680, 690, 700, 710, 720, 730, 740, 750, 760, 770, 780, 790, 800, 810, 820, 830, 840, 850, 860, 870, 880, 890, 900, 910, 920, 930, 940, 950, 960, 970, 980, 990, 1000

Original Witness Lot # 4932-038-04
RT Witness Lot # 4924-419-04
TENSILE BOND WITNESS LOT # 4-455-04

Welder's name: OSCAR CATALDO
Test conducted by: [Signature]
Test number: N04-10338

Witnessed by: [Signature]
Date: 10/10/04

Manufacturer: KIEWIT / FCI / MANSON, AJV

Per AWS D1.5:2002

GEL 018001 Rev.0

5, 96* = 90.7

A.

324-455-04.

All-weld-metal tension test

Tensile strength, psi	89,100
Yield point/strength, psi	81,000
Elongation in 2 in., %	24
Laboratory test no.	N04-10338
Block no.	Stamp no. C5
Laboratory	Per AWS D1.5:2002

THOMAS E. DICKSON
89010441
CWI

elements in this record are correct and that the test welds were prepared, welded, and

In Summary...

Skyway pile-to-pilecap weld design

$$\text{Shear Capacity} = 0.8 * (0.6 * F_{EXX}) * t * L$$

The design has assumed the reduced values.

The contract holds the contractor to full F_{EXX} , t , and L values.

This generates a considerable margin of safety.

Fisher reports FHWA has measures of samples taken, that the contractor has provided additional thickness, t , and that Caltrans' PQRs document that the contractor has provided additional weld material strength, F_{EXX} .

This generates an even greater margin of safety.

Summary of multiple sources that lead to higher field capacities

$$\text{Shear Capacity} = 0.8 * (0.6 * F_{EXX}) * t * L$$

Capacity reduction factors per AASHTO bridge code to account for "real world" strength of weld imperfections (craftsmanship, dimensions, weld material strength)

Minimum specified strength of weld material
GREATER THAN SPECIFIED

not 70 ksi as assumed in design, but 89 to 93 ksi as measured in tests

Throat thickness of weld
LARGER THAN SPECIFIED

not 40 mm as assumed in design, but 45 to 57 mm as measured in field conditions

Length of weld