

# **Third Quarter Hanford Seismic Report for Fiscal Year 2000**

D. C. Hartshorn  
S. P. Reidel  
A. C. Rohay

August 2000

Prepared for the U.S. Department of Energy  
under Contract DE-AC06-76RLO 1830

## DISCLAIMER

This report was prepared as an account of work sponsored by an agency of the United States Government. Neither the United States Government nor any agency thereof, nor Battelle Memorial Institute, nor any of their employees, makes **any warranty, express or implied, or assumes any legal liability or responsibility for the accuracy, completeness, or usefulness of any information, apparatus, product, or process disclosed, or represents that its use would not infringe privately owned rights.** Reference herein to any specific commercial product, process, or service by trade name, trademark, manufacturer, or otherwise does not necessarily constitute or imply its endorsement, recommendation, or favoring by the United States Government or any agency thereof, or Battelle Memorial Institute. The views and opinions of authors expressed herein do not necessarily state or reflect those of the United States Government or any agency thereof.

PACIFIC NORTHWEST NATIONAL LABORATORY  
*operated by*  
BATTELLE  
*for the*  
UNITED STATES DEPARTMENT OF ENERGY  
*under Contract DE-AC06-76RLO 1830*

Printed in the United States of America

Available to DOE and DOE contractors from the  
Office of Scientific and Technical Information, P.O. Box 62, Oak Ridge, TN 37831;  
prices available from (615) 576-8401.

Available to the public from the National Technical Information Service,  
U.S. Department of Commerce, 5285 Port Royal Rd., Springfield, VA 22161



This document was printed on recycled paper.

(9/97)

**Third Quarter Hanford Seismic Report  
for Fiscal Year 2000**

D. C. Hartshorn  
S. P. Reidel  
A. C. Rohay

August 2000

Prepared for  
the U.S. Department of Energy  
under Contract DE-AC06-76RLO 1830

Pacific Northwest National Laboratory  
Richland, Washington 99352

## Summary

Hanford Seismic Monitoring provides an uninterrupted collection of high-quality raw and processed seismic data from the Hanford Seismic Network (HSN) for the U.S. Department of Energy and its contractors. Hanford Seismic Monitoring also locates and identifies sources of seismic activity and monitors changes in the historical pattern of seismic activity at the Hanford Site. The data are compiled, archived, and published for use by the Hanford Site for waste management, Natural Phenomena Hazards assessments, and engineering design and construction. In addition, the seismic monitoring organization works with the Hanford Site Emergency Services Organization to provide assistance in the event of a significant earthquake on the Hanford Site.

The HSN and the Eastern Washington Regional Network (EWRN) consist of 42 individual sensor sites and 15 radio relay sites maintained by the Hanford Seismic Monitoring staff. The HSN uses 21 sites and the EWRN uses 36 sites; both networks share 16 sites. The networks have 46 combined data channels because Gable Butte and Frenchman Hills East are three-component sites. The reconfiguration of the telemetry and recording systems was completed during the first quarter. All leased telephone lines have been eliminated and radio telemetry is now used exclusively.

For the HSN, there were 818 triggers on two parallel detection and recording systems during the third quarter of fiscal year (FY) 2000. Thirteen seismic events were located by the Hanford Seismic Network within the reporting region of 46°-47° N latitude and 119°-120° W longitude; 7 were earthquakes in the Columbia River Basalt Group, 1 was an earthquake in the pre-basalt sediments, and 5 were earthquakes in the crystalline basement. Three earthquakes occurred in known swarm areas, and 10 earthquakes were random occurrences.

No earthquakes triggered the Hanford Strong Motion Accelerometers during the third quarter of FY 2000.

## Acronyms

BWIP	Basalt Waste Isolation Project
CRBG	Columbia River Basalt Group
DMIN	closest distance from the epicenter to a station
DOE	U.S. Department of Energy
ETNA	strong motion accelerometer manufactured by Kinometrics
EWRN	Eastern Washington Regional Network
FY	fiscal year
GAP	largest gap in event-station azimuth distribution
GPS	Global Positioning System
HSN	Hanford Seismic Network
$M_c$	Coda Length Magnitude
$M_L$	Local Magnitude
NP	number of p-wave and s-wave phases
NS	number of stations
PNNL	Pacific Northwest National Laboratory
RAW	Rattlesnake Mountain-Wallula Alignment
RMS	root-mean-square residual
SMA	strong motion accelerometer
USGS	United States Geological Survey
UTC	Universal Time, Coordinated
UW	University of Washington
WHC	Westinghouse Hanford Company
YFB	Yakima Fold Belt

# Contents

Summary .....	iii
Acronyms .....	v
1.0 Introduction.....	1.1
1.1 Mission .....	1.1
1.2 History of Seismic Monitoring at Hanford .....	1.1
1.3 Documentation .....	1.2
2.0 Network Operations.....	2.1
2.1 Seismometer Sites .....	2.1
2.1.1 Station Maintenance.....	2.1
2.1.2 Data Acquisition .....	2.1
2.2 Strong Motion Accelerometer Sites.....	2.2
2.2.1 Location.....	2.2
2.2.2 Site Design.....	2.6
2.2.3 Strong Motion Accelerometer Operations Center.....	2.7
2.2.4 Strong Motion Operational Characteristics .....	2.8
3.0 Magnitude, Velocity Models, and Quality Factors.....	3.1
3.1 Coda Length Magnitude .....	3.1
3.2 Velocity Model.....	3.1
3.3 Quality Factors .....	3.1
4.0 Geology and Tectonic Analysis.....	4.1
4.1 Earthquake Stratigraphy.....	4.1
4.2 Geologic Structure Beneath the Monitored Area .....	4.1
4.3 Depth of Earthquakes .....	4.4
4.4 Tectonic Pattern.....	4.4
4.5 Tectonic Activity.....	4.5
4.5.1 Third Quarter of FY 2000.....	4.5
4.5.2 Earthquake Swarm Areas .....	4.6
4.5.3 Random or Floating Events .....	4.8

5.0	Strong Motion Accelerometer Operations.....	5.1
6.0	Capabilities in the Event of a Significant Earthquake .....	6.1
6.1	Use of the SMA Network in the Event of an Earthquake .....	6.1
7.0	References .....	7.1

## Figures

2.1	Locations of Seismograph Stations and Strong Motion Accelerometer Sites in the Hanford Seismic Network.....	2.3
2.2	Locations of Seismograph Stations in the Eastern Washington Regional Network .....	2.5
2.3	Schematic Diagram of a Strong Motion Accelerometer Installation.....	2.8
4.1	Structural and Tectonic Map of Columbia Basin Showing Major Seismic Source Structures .....	4.2
4.2	Geologic Cross Sections Through the Columbia Basin.....	4.3
4.3	Locations of All Events Between April 1, 2000 and June 30, 2000.....	4.7

## Tables

2.1	Seismic Stations in the Hanford Seismic Network.....	2.2
2.2	Seismic Stations in the Eastern Washington Regional Network.....	2.4
2.3	Free-Field Strong Motion Accelerometer Sites.....	2.6
2.4	Instrument Parameters for the Kinematics ETNA System in the Hanford SMA Network .....	2.7
3.1	Seismic Velocities for Columbia Basin Stratigraphy .....	3.1
3.2	Local Earthquake Data, October 1, 1999 Through June 30, 2000.....	3.2
4.1	Thickness of Stratigraphic Units Across the Monitoring Area .....	4.4
4.2	Number of Local Earthquakes Occurring in Stratigraphic Units .....	4.4
4.3	Summary of Earthquake Locations .....	4.6



# 1.0 Introduction

## 1.1 Mission

The principal mission of seismic monitoring at the Hanford Site is to insure compliance with DOE Order 420.1, Facility Safety. This order establishes facility safety requirements related to nuclear safety design, criticality safety, fire protection, and natural phenomena hazards mitigation. With respect to seismic monitoring, the order states:

### 4.4.5 Natural Phenomena Detection.

Facilities or sites with hazardous materials shall have instrumentation or other means to detect and record the occurrence and severity of seismic events.

In addition, seismic monitoring provides an uninterrupted collection of high-quality raw seismic data from the Hanford Seismic Network (HSN) located on and around the Hanford Site, and provides interpretations of seismic events from the Hanford Site and vicinity. Hanford Seismic Monitoring locates and identifies sources of seismic activity, monitors changes in the historical pattern of seismic activity at the Hanford Site, and builds a “local” earthquake database (processed data) that is permanently archived. The focus of this report is the precise location of earthquakes proximal to or on the Hanford Site, specifically between 46 degrees and 47 degrees north latitude and between 119 degrees and 120 degrees west longitude. Data from the Eastern Washington Regional Network (EWRN) and other seismic networks in the northwest provide the Seismic Monitoring Project with necessary regional input for the seismic hazards analysis at the Hanford Site.

The seismic data are used by the Hanford Site contractors for waste management activities, Natural Phenomena Hazards assessments, and engineering design and construction. In addition, the Seismic Monitoring Project works with Hanford Site Emergency Services Organization to provide assistance in the event of a major earthquake on the Hanford Site.

## 1.2 History of Seismic Monitoring at Hanford

Seismic monitoring at the Hanford Site was established in 1969 by the United States Geological Survey (USGS) under a contract with the U.S. Atomic Energy Commission. In 1975, the University of Washington (UW) assumed responsibility for the network and subsequently expanded it. In 1979, the Basalt Waste Isolation Project (BWIP) became responsible for collecting seismic data for the Hanford Site as part of site characterization activities. Rockwell Hanford Operations followed by Westinghouse Hanford Company (WHC), operated the local network and were the contract technical advisors for the EWRN operated and maintained by the UW. Funding ended for BWIP in December 1988. Seismic monitoring and responsibility for the UW contract were then transferred to WHC’s Environmental Division. Maintenance responsibilities for the EWRN were also assigned to WHC who made major upgrades to EWRN sites.

Effective October 1, 1996, seismic monitoring was transferred to the Pacific Northwest National Laboratory (PNNL).<sup>1</sup> Seismic monitoring is part of PNNL's Applied Geology and Geochemistry Group, Environmental Technology Division.

The Hanford Strong Motion Accelerometer (SMA) network was constructed during 1997 and came on line in May 1997. It operated continuously until September 30, 1997 when it was mothballed due to lack of funding. Funding was restored on October 1, 1998 by joint agreement between the U.S. Department of Energy (DOE) and PNNL. Operation of the free-field sites resumed on November 20, 1999 and has been in continuous operation since that time.

### **1.3 Documentation**

The Seismic Monitoring Project issues quarterly reports of local activity, an annual catalog of earthquake activity on and near the Hanford Site, and special-interest bulletins on local seismic events. The annual catalog includes the fourth quarter report for the fiscal year. Hanford Seismic Monitoring also provides information and special reports to other functions as requested. Earthquake information provided in these reports is subject to revisions if new data become available. In addition, an archive of all seismic data from the HSN is maintained by PNNL.

---

<sup>1</sup> Pacific Northwest National Laboratory is operated by Battelle Memorial Institute for the U.S. Department of Energy.

## **2.0 Network Operations**

### **2.1 Seismometer Sites**

The seismic monitoring network consists of two designs of equipment and sites: seismometer sites and strong motion accelerometer (SMA) sites. Seismometer sites are designed to locate earthquakes and determine their magnitude and hypocenter location. SMA sites are designed to measure ground motion.

The HSN and the EWRN consists of 42 sensor sites. Most sites are in remote locations and require solar panels and batteries for power. The HSN uses 21 sites (Table 2.1 and Figure 2.1) and the EWRN uses 36 sites (Table 2.2 and Figure 2.2); both networks share 16 sites. The networks have 46 combined data channels because Gable Butte and Frenchman Hills East are three-component sites, each consisting of one vertical, one north-south horizontal, and one east-west horizontal data channel. Both networks use 15 additional telemetry relay sites. All sites or relays are transmitted to the Sigma V building, Richland, Washington.

#### **2.1.1 Station Maintenance**

The HSN's maintenance records for the seismic sensor and relay sites are filed in the Hanford Seismic Monitoring office.

#### **2.1.2 Data Acquisition**

The signals from the seismometer sites are monitored for changes in signal amplitude that are expected from earthquakes. The seismic network is subdivided into spatial groupings of stations that are monitored for nearly simultaneous amplitude changes, resulting in triggering a permanent recording of the events. The groupings and associated weighting schemes are designed to allow very small seismic events to be recorded and to minimize false triggers. Events are classified as locals (south-central Washington near the Hanford Site), regionals (western U.S. and Canada), and teleseisms (from farther distances around the world). Local and regional events are usually earthquakes, but mining explosions are also recorded. The latter can usually be identified from wave characteristics, time of day, and through confirmation with local government agencies and industries. Frequently, military exercises at the Yakima Training Center produce a series of acoustic shocks that unavoidably trigger the recording system. Sonic booms and thunder also produce acoustic signals that trigger the recording system.

A PC-based system adapted from a USGS program and the UW system was implemented at Hanford during FY 1999. One new system has been in continuous operation since January 6, 1999. A second, backup PC system was installed in mid-March 1999, and both new systems have been running in parallel since that time. Although the two new systems are practically identical, there is enough granularity in the trigger timing that they sometimes record exclusive events. In nearly all cases, these exclusive triggers are "false" triggers, not earthquakes or quarry blasts (i.e., from acoustic sources). The remainders are from barely detectable, small signals from regional and teleseismic earthquakes. There were 818 triggers

**Table 2.1.** Seismic Stations in the Hanford Seismic Network

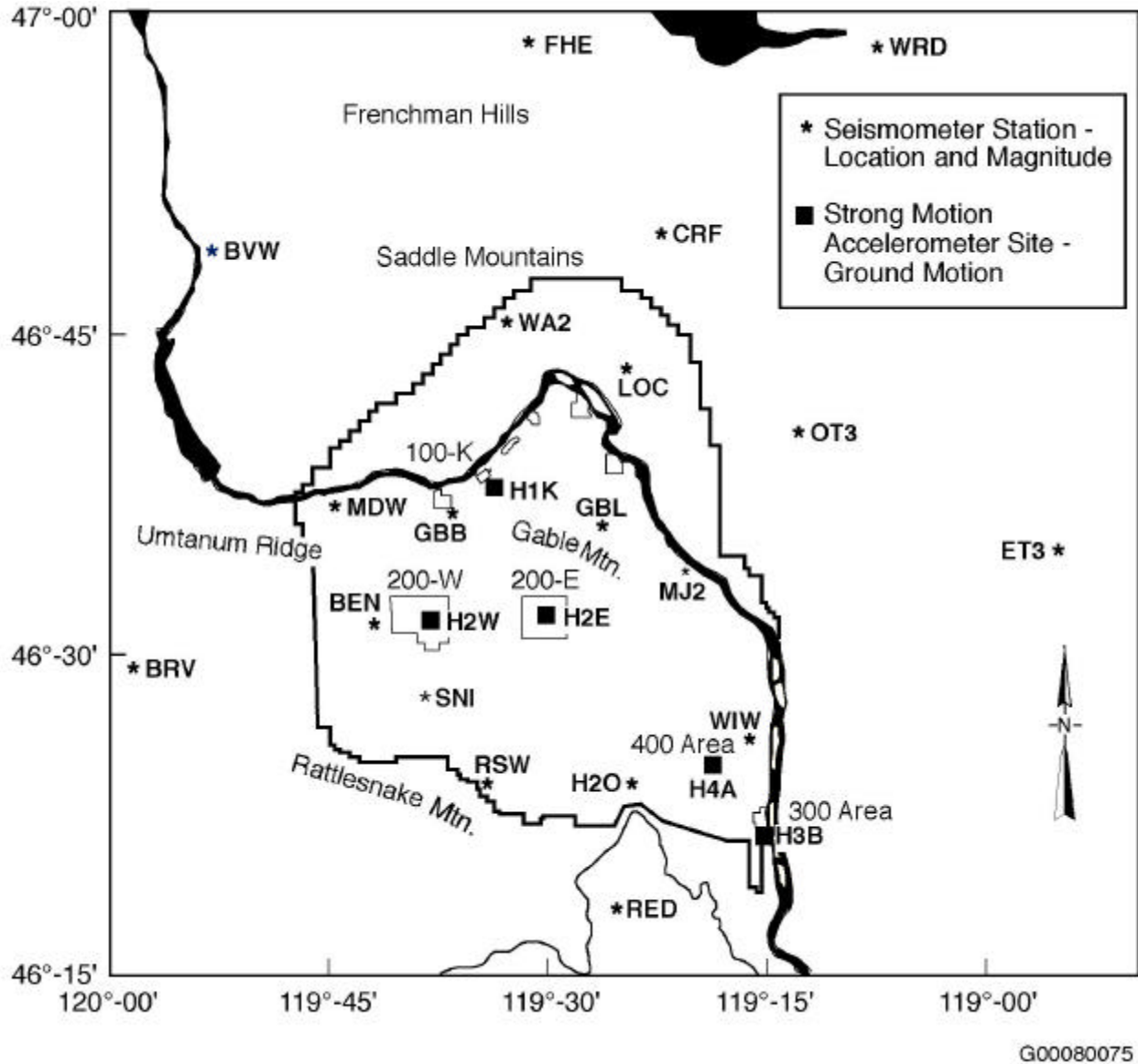
The first column is the three-letter seismic station designator. The latitude and longitude, elevation above sea level in meters; and the full station name follow this. An asterisk before the three-letter designator means it is a three-component station. The locations of the stations are all in Washington; locations were derived from a Global Positioning System (GPS).				
Station	Latitude Deg.Min.N	Longitude Deg.Min.W	Elevation (m)	Station Name
BEN	46N31.13	119W43.02	340	Benson Ranch
BRV	46N49.12	119W59.47	920	Black Rock Valley
BVW	46N48.66	119W52.99	670	Beverly
CRF	46N49.50	119W23.22	189	Corfu
ET3	46N34.64	118W56.25	286	Eltopia Three
*FHE	46N57.11	119W29.82	455	Frenchman Hills East
*GBB	46N36.49	119W37.62	177	Gable Butte
GBL	46N35.92	119W27.58	330	Gable Mountain
H2O	46N23.75	119W25.38	158	Water
LOC	46N43.02	119W25.85	210	Locke Island
MDW	46N36.79	119W45.66	330	Midway
MJ2	46N33.45	119W21.54	146	May Junction Two
OT3	46N40.14	119W13.98	322	Othello Three
PRO	46N12.73	119W41.15	550	Prosser
RED	46N17.92	119W26.30	366	Red Mountain
RSW	46N23.67	119W35.48	1,045	Rattlesnake Mountain
SNI	46N27.85	119W39.60	312	Snively Ranch
WA2	46N45.32	119W33.94	244	Wahluke Slope
WG4	46N01.85	118W51.34	511	Wallula Gap Four
WIW	46N25.76	119W17.26	128	Wooded Island
WRD	46N58.20	119W08.69	375	Warden

on the two systems during the third quarter, all of which were reviewed. Among those triggers, we recorded 19 local events, 13 of which were in the 46° to 47° latitude, 119° to 120° longitude area of interest to Hanford Seismic Monitoring, 59 regional earthquakes and 73 teleseisms on one or both systems.

## 2.2 Strong Motion Accelerometer Sites

### 2.2.1 Location

The Hanford SMA network consists of five free-field SMA sites (Figure 2.1) (Table 2.3). There is one free-field SMA located in each of the 200 Separations Areas, one adjacent to the K-Basins in 100-K Area, one adjacent to the 400 Area where the Fast Flux Test Reactor is located, and one at the south end of the 300 Area.

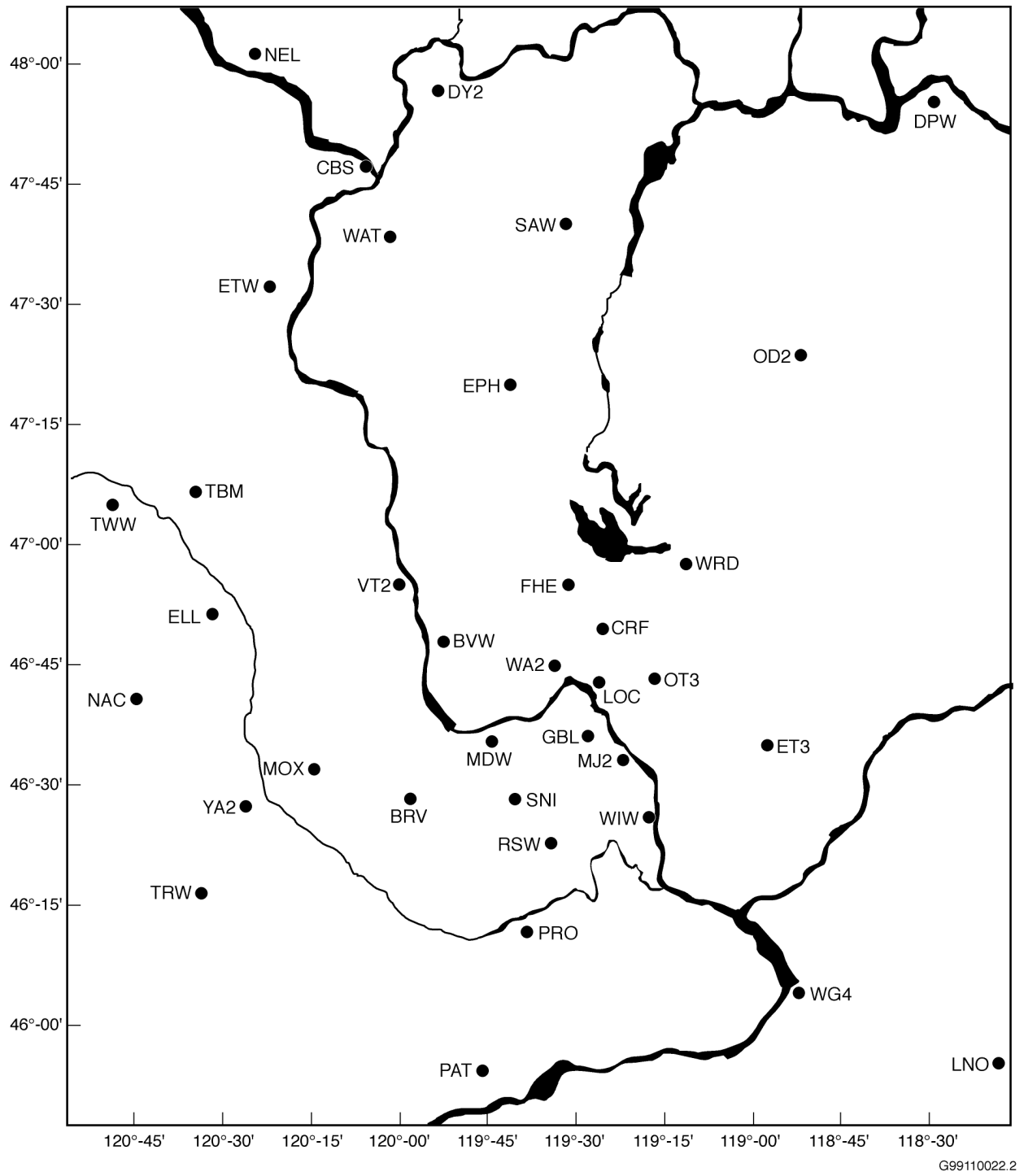


**Figure 2.1.** Locations of Seismograph Stations and Strong Motion Accelerometer Sites in the Hanford Seismic Network (see Table 2.1 for description of locations). Locations for Prosser (PRO) and Wallula Gap (WG4) not shown. See Figure 2.2 for the locations of those sites.

The instrumentation locations were chosen based on two criteria (Moore and Reidel 1996): 1) instruments should be located in areas having the highest densities of people; and 2) instruments should be located in areas having hazardous facilities. Some of the highest concentrations of employees at Hanford are 200 East and West Areas, 100-K Area, the Fast Flux Test Facility (400 Area), and the 300 Areas. The 200 Areas are where all high-level radioactive waste from past processing of fuel rods has been stored in single-shell and double-shell tanks. In addition, the Canister Storage Facility that will hold encapsulated spent fuel rods is being constructed in 200 East Area. The 100-K Area contains the K Basins where all

**Table 2.2.** Seismic Stations in the Eastern Washington Regional Network

The first column is the three-letter seismic station designator. The latitude and longitude, elevation above sea level in meters; and the full station name follow this. An asterisk before the three-letter designator means it is a three-component station. The locations of the stations are all in Washington unless otherwise indicated; locations were determined from a Global Positioning System (GPS).				
Station	Latitude Deg.Min.N.	Longitude Deg.Min.W.	Elevation (m)	Station Name
BRV	46N29.12	119W59.47	920	Black Rock Valley
BVW	46N48.66	119W52.99	670	Beverly Washington
CBS	47N48.26	120W02.50	1,067	Chelan Butte, South
CRF	46N49.50	119W23.22	189	Corfu
DPW	47N52.25	118W12.17	892	Davenport
DY2	47N59.11	119W46.28	890	Dyer Hill Two
ELL	46N54.58	120W33.98	789	Ellensburg
EPH	47N21.38	119W35.76	661	Ephrata
ET3	46N34.64	118W56.25	286	Eltopia Three
ETW	47N36.26	120W19.94	1,477	Entiat
*FHE	46N57.11	119W29.82	455	Frenchman Hills East
*GBL	46N35.92	119W27.58	330	Gable Mountain
LNO	45N52.31	118W17.11	771	Linton Mountain, Oregon
LOC	46N43.02	119W25.85	210	Locke Island
MDW	46N36.79	119W45.66	330	Midway
MJ2	46N33.45	119W21.54	146	May Junction Two
MOX	46N34.64	120W17.89	501	Moxee City
NAC	46N43.99	120W49.42	728	Naches
NEL	48N04.21	120W20.41	1,500	Nelson Butte
OD2	47N23.26	118W42.58	553	Odessa Two
OT3	46N40.14	119W13.98	322	Othello Three
PAT	45N52.92	119W45.14	262	Paterson
PRO	46N12.73	119W41.15	550	Prosser
RSW	46N23.67	119W35.48	1,045	Rattlesnake Mountain
SAW	47N42.10	119W24.03	701	St. Andrews
SNI	46N27.85	119W39.60	312	Snively Ranch
TBM	47N10.20	120W35.88	1,006	Table Mountain
TRW	46N17.32	120W32.31	723	Toppenish Ridge
TWW	47N08.29	120W52.10	1,027	Teanaway
VT2	46N58.04	119W58.95	1,270	Vantage Two
WA2	46N45.32	119W33.94	244	Wahluke Slope Two
WAT	47N41.92	119W57.24	821	Waterville
WG4	46N01.85	118W51.34	511	Wallula Gap Four
WIW	46N25.76	119W17.26	128	Wooded Island
WRD	46N58.20	119W08.69	375	Warden
YA2	46N31.60	120W31.80	652	Yakima Two



**Figure 2.2.** Locations of Seismograph Stations in the Eastern Washington Regional Network (see Table 2.2 for location descriptions)

**Table 2.3.** Free-Field Strong Motion Accelerometer Sites

Site	Site ID	Location	Latitude Longitude Elevation
100-K Area	H1K	South of K Basins outside 100 Area fence lines.	46° 38.51' 119° 35.53' 152 m
200 East Area	H2E	East of B Plant; north of 7th street and east of Baltimore Ave.	46° 33.58' 119° 32.00' 210 m
200 West Area	H2W	Northeast of Plutonium Finishing Plant (PFP); north of 19th street and east of Camden Ave.	46° 33.23' 119° 37.51' 206 m
300 Area	H3A	South end of 300 Area inside fence lines (NE 1/4, SW 1/4, Sec. 11, T10N, R28E).	46° 21.83' 119° 16.55' 119 m
400 Area	H4A	500 feet from fence line on east side of facility and north of parking area.	46° 26.13' 119° 21.30' 171 m

spent fuel rods from the N Reactor are stored prior to encapsulation. The Cold Vacuum Drying Facility, located in the 100-K Area, will be used to encapsulate spent fuel rods from the K Basins prior to shipment to the Canister Storage Building in 200 East Area.

### 2.2.2 Site Design

All free-field SMA sites consist of two 30-gallon drums set in the ground such that the base of the drum is about 1 meter below the surface. One drum houses only the SMA; the other drum houses the electronics and communications equipment. A distance of 1 to 2.16 m (40 to 85 inches) separates the drum containing the electronics and communications equipment from the SMA drum; a sealed conduit connects the two drums.

The SMA instruments are three-component units consisting of one vertical, one north-south horizontal, and one east-west horizontal data channel. The instruments in use are the ETNA™ system (registered trademark of Kinometrics, Inc.). Instrument specifications are summarized in Table 2.4. In addition to the three-component SMA's, each ETNA SMA unit contains a computer, Global Positioning System (GPS) receiver and a modem (Figure 2.3). These systems are housed in a watertight box.

Two 100 amp-hour batteries that are housed in the equipment and communications drum (Figure 2.3) power the SMAs. The batteries are charged by four solar panels; a regulator is located between the solar panels and the batteries.



**Table 2.4.** Instrument Parameters for the Kinematics ETNA System in the Hanford SMA Network

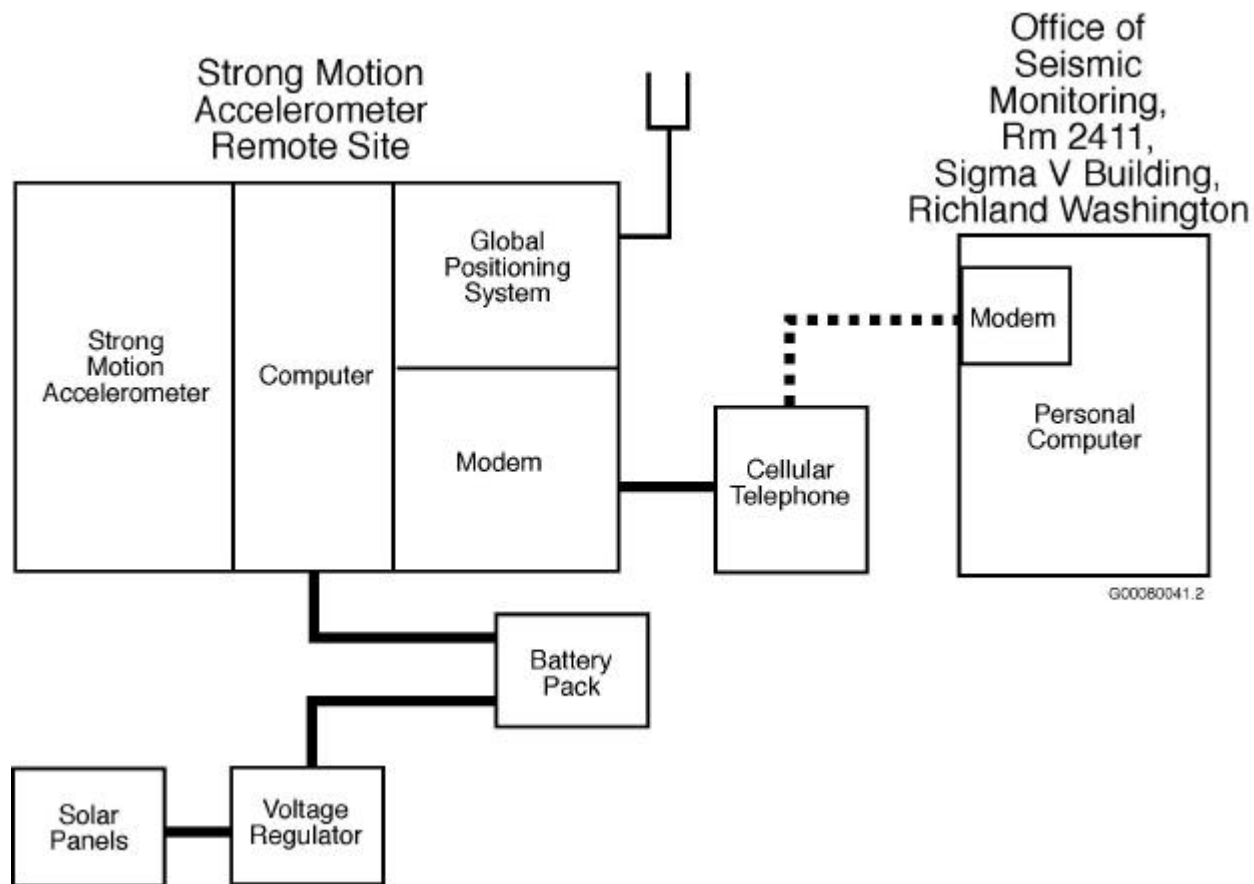
Parameter	Value or Range
<b>Sensor</b>	
Type	Tri-axial Force Balance Accelerometer orthogonally oriented with internal standard
Full-Scale	$\pm 2 \text{ g}^{(a)}$
Frequency Range	0-50 Hz
Damping	Approximately 70% critical <sup>(a)</sup>
<b>Data Acquisition</b>	
Number of Channels	3
Sample Rate	18-bit resolution @ 200 samples/second
Digital Output	Real-time, RS-232 Output Stream
<b>Seismic Trigger</b>	
Filter	0.1 - 12.5 Hz
Trigger level	0.05% - 0.20% $\text{g}^{(b)}$
Alarm (call-out) Threshold	4.00% g
Pre-event Memory	10 sec
Post-event Time	40 sec
(a) Setting is dependent on instrument calibration.	
(b) See Section 2.2.4 for discussion of trigger thresholds.	

The communication link between the SMAs and the data analysis computer system housed in the Sigma V building is a cellular telephone/modem connection. The built-in modem in the SMA allows the system to use a cellular telephone to call an accelerometer or for the accelerometer to call out in the event it is triggered.

The SMAs have an internal GPS receiver used principally to link it to the National Bureau of Standards timing system. The GPS is internally activated approximately every 4 hours and checks the “location of the instrument” and the time. Any differences between the internal clock and the GPS time are recorded and saved by the SMA. Any corrections to the internal timing are made automatically. Typically, the greatest correction recorded is approximately 4 milliseconds.

### 2.2.3 Strong Motion Accelerometer Operations Center

The combined operations, data recording, data interpretation, and maintenance facility is located in the Sigma V building and is operated by the PNNL Seismic Monitoring Team.



**Figure 2.3.** Schematic Diagram of a Strong Motion Accelerometer Installation

### 2.2.4 Strong Motion Operational Characteristics

The signals from the three accelerometer channels at each site are digitized with a 24-bit digitizer and temporarily stored in a memory buffer. The sampling rate of the digitizer is set to 200 Hz. The three channels are monitored for signals that equal or exceed a programmable trigger threshold. When one accelerometer channel is triggered, the other channels automatically record. The nominal threshold used is 0.05% of the full-scale range of 2.0 g (g is the acceleration of gravity, 9.8 m/s<sup>2</sup> or 32 ft/s<sup>2</sup>) or 0.001 g. Threshold trigger levels are being adjusted to trigger infrequently on the noise sources (e.g., vehicles, sonic booms) near each site. This will provide ground motion data for smaller, non-damaging earthquakes that can be useful in estimating the ground motion expected from larger earthquakes, and to confirm correct operation of the instruments by analyzing the smaller-amplitude triggers. The recorders store information for 10 seconds before the trigger threshold is exceeded and for 40 seconds after the trigger ceases to be exceeded.

The SMA network is designed to transmit the data to the Hanford Seismic Recording Center at the Sigma V building or to be remotely accessed with a PC and modem. In addition, all SMAs can be accessed in the field where the data can be downloaded and interpreted.

## 3.0 Magnitude, Velocity Models, and Quality Factors

### 3.1 Coda Length Magnitude

Coda-length magnitude ( $M_c$ ), an estimate of local magnitude ( $M_L$ ) (Richter 1958), is calculated using the coda-length/magnitude relationship determined for Washington State by Crosson (1972).

### 3.2 Velocity Model

The program XPED uses the velocities and layer depths given in Table 3.1. XPED was developed at the UW and the velocity model used in XPED is based on Rohay et al. (1985). XPED is an interactive earthquake seismogram display program used to analyze seismic events.

### 3.3 Quality Factors (Q)

XPED assigns a two-letter **Quality factor** (Table 3.2) that indicates the general reliability of the solution (**A** is best quality, **D** is worst). Similar quality factors are used by the USGS for events located with the computer program HYPO71. The first letter of the quality code is a measure of the hypocenter quality based primarily on travel time residuals. For example: Quality **A** requires a root-mean-square residual (**RMS**) less than 0.15 seconds while a **RMS** of 0.5 seconds or more is **D** quality (other estimates of the location uncertainty also affect this quality parameter). The second letter of the quality code is related to the spatial distribution of stations that contribute to the event's location, including the number of stations (**NS**), the number of p-wave and s-wave phases (**NP**), the largest gap in event-station azimuth distribution (**GAP**), and the closest distance from the epicenter to a station (**DMIN**). Quality **A** requires a solution with **NP** >8, **GAP** <90°, and **DMIN** <5 km (or the hypocenter depth if it is greater than 5 km). If **NP** ≤5, **GAP** >180°, or **DMIN** >50 km, the solution is assigned Quality **D**.

**Table 3.1.** Seismic Velocities for Columbia Basin Stratigraphy (from Rohay et al. 1985)

Depth to Top of Velocity Layer (km)	Stratigraphy	Velocity (km/sec)
0.0	Saddle Mountains and Wanapum Basalts, Columbia River Basalt Group and intercalated Ellensburg Formation	3.7
0.4	Grande Ronde Basalt, Columbia River Basalt Group and pre-basalt sediments	5.2
8.5	Crystalline Basement, Layer 1	6.1
13.0	Crystalline Basement, Layer 2	6.4
23.0	Sub-basement	7.1
38.0	Mantle	7.9

**Table 3.2.** Local Earthquake Data, October 1, 1999 Through June 30, 2000

Event ID	Type	Date	Time	Latitude	Longitude	Depth	Mag	NS/NP	Gap	DMIN	RMS	Q	Location
9910172141		99/10/17	21:42:18.75	46N19.47	119W47.17	6.69	1.4	6/09	215	14	0.14	BD	13.1 km N of Prosser
9910182316	P	99/10/18	23:17:17.80	46N16.85	119W25.09	0.05	2.3	12/12	178	2	0.26	BC	9.8 km W of Richland
9910271006		99/10/27	10:06:48.41	46N26.73	119W38.38	18.64	0.6	8/12	176	2	0.09	AC	12.5 km S of 200 West
9910311934*		99/10/31	19:34:27.01	46N28.73	119W42.62	18.35	0.8	13/16	136	13	0.17	BC	10.4 km SSW of 200 West
9911080404		99/11/08	04:05:10.20	46N34.47	119W19.40	14.69	0.2	11/16	136	10	0.09	AC	15.7 km N of 400 Area
9911122219		99/11/12	22:19:37.90	46N09.82	119W13.56	0.04	0.8	10/12	287	22	0.15	BD	9.1 km WSW of Kennewick
9911130323		99/11/13	03:23:48.06	46N41.71	119W29.47	12.03	0.1	12/17	73	8	0.08	AA	10.0 km NE of 100-K Area
9911211323		99/11/21	13:23:40.03	46N35.25	119W39.18	18.22	1.6	23/30	76	3	0.15	AA	3.5 km NNW of 200 West
9911211324		99/11/21	13:24:43.25	46N34.84	119W39.16	16.90	1.0	17/22	77	3	0.08	AA	2.8 km NNW of 200 West
9912012011		99/12/01	20:12:12.14	46N58.91	119W17.57	5.39	-0.4	6/06	235	11	0.16	CD	16.1 km S of Moses Lake
9912110707		99/12/11	07:07:59.94	46N36.67	119W56.97	6.51	0.3	3/06	280	14	0.09	AD	24.6 km WNW of 200 West
9912220933		99/12/22	09:33:31.66	46N36.34	119W47.60	7.88	1.1	13/16	114	2	0.13	AB	13.0 km WNW of 200 West
200001012342		00/01/01	23:43:05.44	46N08.78	119W46.33	21.87	0.6	14/19	296	9	0.05	AD	6.8 km S of Prosser
200001201753		00/01/20	17:53:43.97	46N49.65	119W45.10	0.02	0.8	7/08	152	10	0.07	AC	22.9 km SE of Vantage
200001231243		00/01/23	12:44:20.12	46N20.80	119W41.67	0.04	-0.1	5/08	244	9	0.09	AD	16.5 km NNE of Prosser
200001240949		00/01/24	09:49:31.48	46N43.57	119W14.42	2.91	0.5	6/10	220	6	0.09	AD	12.5 km SSW of Othello
200001280656		00/01/28	06:57:17.73	46N23.06	119W35.45	18.09	-0.4	5/07	303	1	0.05	AD	18.8 km WSW of 400 Area
200002020525		00/02/02	05:25:42.00	46N36.49	119W53.15	6.36	0.3	5/11	310	9	0.05	AD	19.8 km WNW of 200 West
200002030124	P	00/02/03	01:25:03.24	46N58.57	119W01.24	2.34	0.9	11/12	299	9	0.06	AD	20.0 km NE of Othello
200002041228		00/02/04	12:29:05.15	46N49.05	119W21.11	0.02	0.6	8/13	115	2	0.09	AB	W of Othello
200002072013		00/02/07	20:14:05.90	46N44.01	119W46.44	2.42	1.5	13/16	140	11	0.15	BC	16.9 km NW of 100-K Area
200002072253		00/02/07	22:54:05.71	46N43.89	119W46.57	3.76	1.7	14/17	142	12	0.09	AC	16.9 km NW of 100-K Area
200002080534		00/02/08	05:35:06.65	46N43.93	119W46.15	0.05	1.6	16/17	137	12	0.10	AC	16.6 km NW of 100-K Area
200002190530		00/02/19	05:30:44.63	46N34.55	119W48.24	18.63	0.8	15/25	200	5	0.11	AD	12.9 km W of 200 West
200002200155		00/02/20	01:56:18.12	46N10.61	119W34.78	17.73	0.6	10/13	256	9	0.07	AD	14.9 km ESE of Prosser
200002200956		00/02/20	09:56:58.89	46N23.88	119W56.79	20.66	0.4	8/13	255	21	0.10	AD	25.3 km NNW of Prosser
200002221906	*	00/02/22	19:06:43.44	46N33.64	119W38.86	3.14	0.6	11/13	137	10	0.16		0.8 km WNW of 200 West

**Table 3.2. (contd)**

Event ID	Type	Date	Time	Latitude	Longitude	Depth	Mag	NS/NP	Gap	DMIN	RMS	Q	Location
200002222312		00/02/22	23:12:51.75	46N34.72	119W56.83	0.03	2.0	13/13	201	14	0.38	CD	23.8 km W of 200 West
200002222341	P	00/02/22	23:41:13.51	46N53.50	119W58.17	0.05	1.5	8/10	189	8	0.12	AD	7.5 km S of Vantage
200002232021	P	00/02/23	20:21:39.31	46N57.04	119W03.89	0.03	0.2	6/06	137	6	0.13	AC	15.8 km NNE of Othello
200003031203		00/03/03	12:03:49.83	46N50.63	119W35.96	0.04	0.5	13/16	83	10	0.14	AC	22.5 km N of 100-K Area
200003062159		00/03/06	21:59:51.00	46N49.34	119W05.27	7.93	-0.2	9/09	214	16	0.37	CD	6.0 km E of Othello
200003271602		00/03/27	16:02:32.71	46N33.55	119W45.62	0.44	0.7	9/10	195	5	0.15	AD	9.4 km W of 200 West
200003280803		00/03/28	08:03:55.47	46N12.81	119W47.54	30.73	0.7	9/13	291	8	0.04	AD	2.0 km WNW of Prosser
200003280812		00/03/28	08:12:20.38	46N13.10	119W46.52	32.28	0.4	8/13	290	24	0.04	AD	1.4 km NNW of Prosser
200003280923		00/03/28	09:23:37.60	46N13.07	119W46.36	32.51	0.7	10/14	290	24	0.05	AD	1.3 km NNW of Prosser
200003281156		00/03/28	11:56:47.62	46N13.87	119W46.10	34.18	0.5	11/16	244	6	0.11	AD	2.7 km N of Prosser
200003282323	P	00/03/28	23:23:49.68	46N58.05	119W02.59	0.03	0.7	6/08	291	7	0.10	AD	18.3 km NNE of Othello
200003301943	P	00/03/30	19:43:44.11	46N19.70	119W51.81	1.10	1.7	7/07	278	18	0.07	AD	15.4 km NNW of Prosser
200004212350		00/04/21	23:51:10.24	46N41.68	119W30.82	3.32	0.0	6/11	107	6	0.14	BC	8.7 km NE of 100-K Area
200004301107		00/04/30	11:07:36.64	46N34.32	119W43.13	18.30	-0.1	8/11	142	5	0.05	AC	6.4 km WNW of 200 West
200005031231		00/05/03	12:31:59.98	46N22.23	119W15.46	0.02	0.7	6/12	259	6	0.09	AD	2.1 km NE of 300 Area
200005041702		00/05/04	17:02:56.01	46N14.76	119W27.51	2.55	1.8	9/09	225	5	0.06	AD	13.5 km WSW of Richland
200005052154		00/05/05	21:54:30.59	46N14.63	119W27.69	0.02	2.1	17/19	211	6	0.21	BD	13.8 km WSW of Richland
200005100924		00/05/10	09:25:07.67	46N39.47	119W24.20	13.98	0.4	15/21	131	6	0.05	AB	14.8 km NE of 200 East
200005111028		00/05/11	10:28:40.64	46N22.84	119W02.15	0.98	0.8	11/11	234	20	0.07	AD	16.9 km NNE of Pasco
200005150948		00/05/15	09:49:19.86	46N27.20	119W35.80	15.71	0.9	16/22	115	5	0.07	AB	12.1 km SSE of 200 West
200005261040		00/05/26	10:40:55.73	46N06.16	119W53.03	0.04	1.1	9/12	212	19	0.12	AD	14.7 km SW of Prosser
200006191236		00/06/19	12:36:39.37	46N36.00	119W51.15	6.97	0.4	9/11	190	7	0.06	AD	17.1 km WNW of 200 West
200006230654		00/06/23	06:55:09.63	46N28.51	119W43.18	15.03	1.0	15/22	173	4	0.08	AC	11.1 km SW of 200 West
200006291848		00/06/29	18:48:59.41	46N01.05	119W54.73	0.04	2.3	19/25	90	19	0.23	BC	23.8 km SSW of Prosser
200006300426		00/06/30	04:26:45.11	46N28.23	119W42.88	14.82	0.1	10/14	215	3	0.06	AD	11.4 km SSW of 200 West

\*Event 9910311934 was located by the University of Washington. Hanford Seismic Monitoring was being moved from the 337 building to the Sigma V building. There were no explosion type events this quarter in the region.

### Explanation of Table 3.2

<b>EVENT ID:</b>	The Earthworm Recording System creates the identification number. XPED uses the year, month, day and time to create a unique number for each event.
<b>DATE:</b>	The year and day of the year in Universal Time Coordinated (UTC). UTC is used throughout this report unless otherwise indicated.
<b>TIME:</b>	The origin time of the earthquake given in UTC. To covert UTC to Pacific Standard Time, subtract eight hours; to Pacific Daylight Time, subtract seven hours.
<b>LATITUDE:</b>	North latitude, in degrees and minutes, of the earthquake epicenter.
<b>LONGITUDE:</b>	West longitude, in degrees and minutes, of the earthquake epicenter.
<b>DEPTH:</b>	The depth of the earthquake in kilometers (km).
<b>MAG:</b>	The magnitude is expressed as Coda-Length magnitude $M_c$ , an estimate of local magnitude $M_L$ (Richter 1958). If Magnitude is blank no determination could be made.
<b>NS/NP:</b>	Number of stations/number of phases used in the solutions.
<b>GAP:</b>	Azimuthal gap. The largest angle (relative to the epicenter) containing no stations.
<b>DMIN:</b>	The distance from the earthquake epicenter to the closest station
<b>RMS:</b>	The root-mean-square residual (observed arrival times minus the predicted arrival times) at all stations used to locate the earthquake. It is only useful as a measure of quality of the solution when five or more well-distributed stations are used in the solution. Good solutions are normally characterized by RMS values of less than about 0.3 seconds.
<b>Q:</b>	The Quality Factors indicate the general reliability of the solution/location ( <b>A</b> is best quality, <b>D</b> is worst). See Section 3.3 of this report: Quality Factors.
<b>TYPE:</b>	P is Probable Blast; X is Confirmed Blast; F is Felt Earthquake; H is hand picked from helicorder; S is surficial event (rockslide, avalanche) and not a explosion or tectonic earthquake; blank is local earthquake. One event missed by the Hanford recording systems but available from the UW systems is indicated by the * symbol.

## 4.0 Geology and Tectonic Analysis

The Hanford Site lies within the Columbia Basin, which is an intermontane basin between the Cascade Range and the Rocky Mountains that is filled with Cenozoic volcanic rocks and sediments. This basin forms the northern part of the Columbia Plateau physiographic province (Fenneman 1931) and the Columbia River flood-basalt province (Reidel and Hooper 1989). In the central and western parts of the Columbia Basin, the CRBG overlies Tertiary continental sedimentary rocks and is overlain by late Tertiary and Quaternary fluvial and glaciofluvial deposits (Campbell 1989; Reidel and others 1989; DOE 1988). In the eastern part, a thin (<100 m) sedimentary unit separates the basalt and underlying crystalline basement and a thin (<10 m) veneer of eolian sediments overlies the basalt (Reidel and others 1989).

The Columbia Basin has two structural subdivisions or subprovinces: the Yakima Fold Belt (YFB) and the Palouse Slope. The YFB includes the western and central parts of the Columbia Basin and is a series of anticlinal ridges and synclinal valleys with major thrust faults along the northern flanks (Figure 4.1). The Palouse Slope is the eastern part of the basin and is the least deformed subprovince with only a few faults and low amplitude, long wavelength folds on an otherwise gently westward dipping paleoslope. Figure 4.2 shows north-south and east-west cross sections through the Columbia Basin based on surface mapping, deep boreholes, geophysical data (including the work of Rohay et al. [1985]), and magnetotelluric data obtained as part of BWIP (DOE 1988).

### 4.1 Earthquake Stratigraphy

Studies of seismicity at the Hanford Site have shown that the seismicity is related to crustal stratigraphy (layers of rock types) (Rohay et al. 1985; DOE 1988). The main geologic units important to earthquakes at Hanford and the surrounding area are:

- The Miocene CRBG
- The Paleocene, Eocene, and Oligocene sediments
- The crystalline basement (Precambrian and Paleozoic craton; Mesozoic accreted terranes).

### 4.2 Geologic Structure Beneath the Monitored Area

Between the late 1950s and the early 1980s, deep boreholes were drilled for hydrocarbon exploration in the Columbia Basin. These boreholes provided accurate measurements of the physical properties of the CRBG and the pre-basalt sediments (Reidel et al. 1994, 1998), but the thickness of the pre-basalt sediments and nature of the crystalline basement are still poorly understood. The difference between the thicknesses listed in Table 4.1 and the thicknesses of the crustal layers in the velocity model in Table 3.1 reflect data specific to the UW's crustal velocity model for eastern Washington. Table 4.2 is derived from Figure 4.2 and was developed for the geologic interpretation in this report. The thicknesses of these units are variable across the monitored area. Table 4.1 summarizes the approximate thickness at the borders of the monitored area.

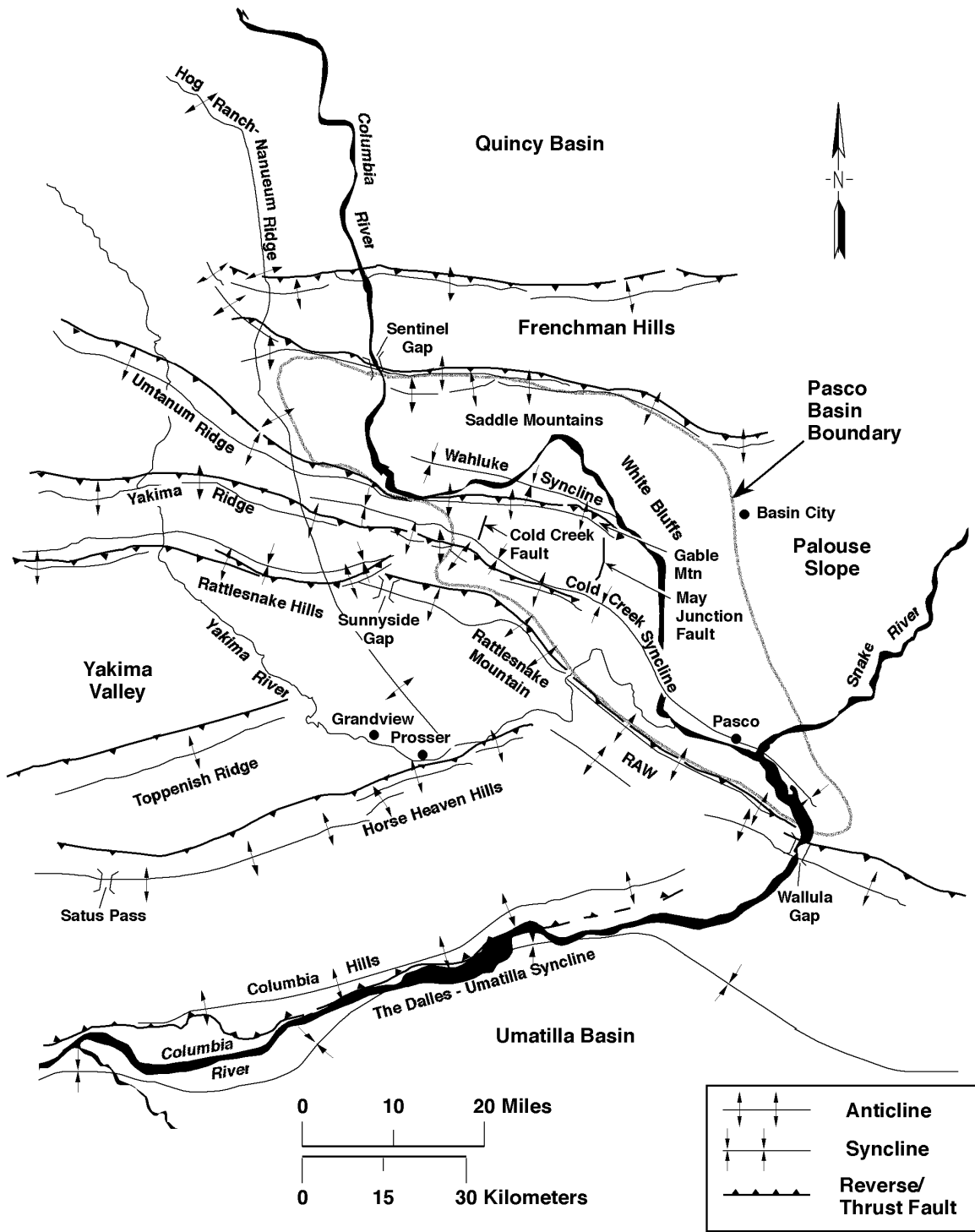
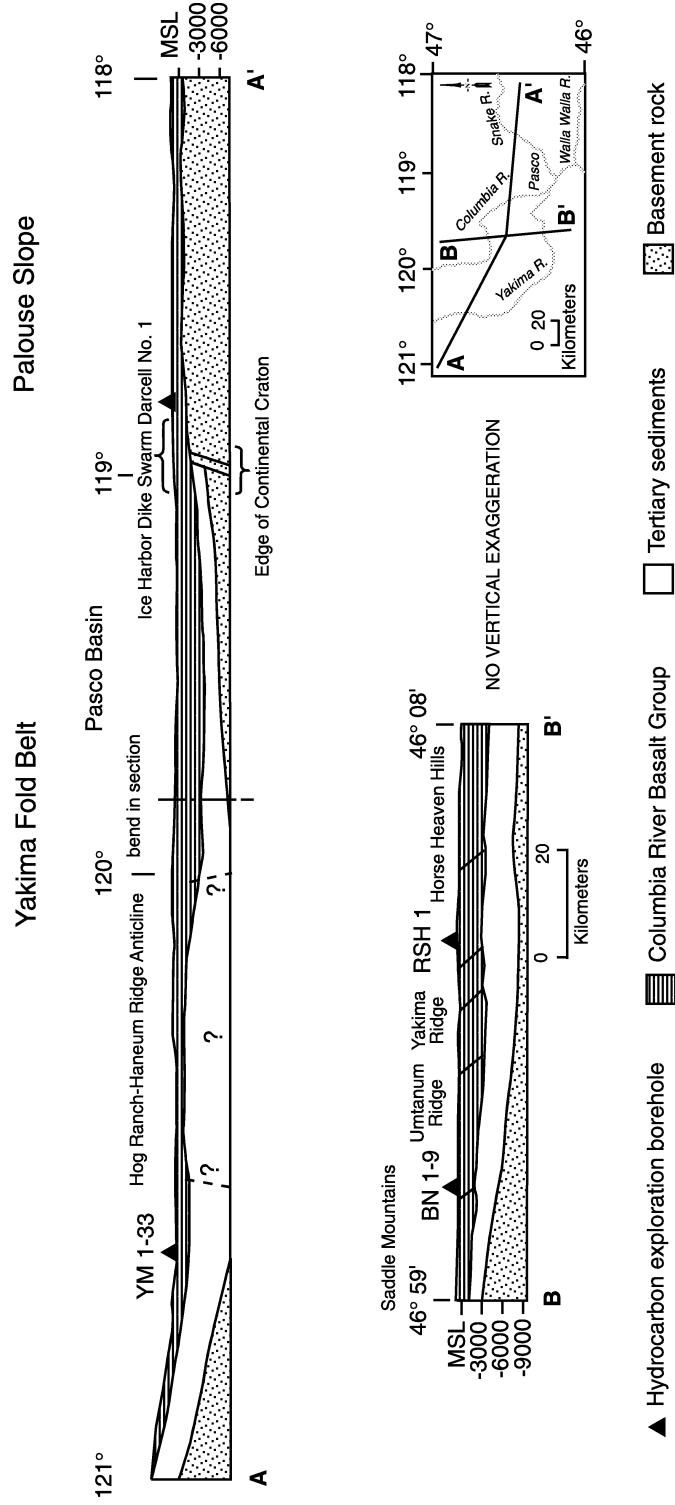


Figure 4.1. Structural and Tectonic Map of Columbia Basin Showing Major Seismic Source Structures





SP98020037.3

Figure 4.2. Geologic Cross Sections Through the Columbia Basin

**Table 4.1.** Thicknesses of Stratigraphic Units in the Monitoring Area

Stratigraphy	North	South	East	West
Columbia River Basalt Group (includes suprabasalt sediments)	3.0 km	4.5 km	2.2 km	4.2 km
Pre-basalt Sediments	3.0 km	>4.5 km	0	>6.0 km

The thickness of the basalt and the pre-basalt sediments varies as a result of different tectonic environments. The western edge of the North American craton (late Precambrian/Paleozoic continental margin and Precambrian craton) is located in the eastern portion of the monitored area. The stratigraphy on the craton consists of CRBG overlying crystalline basement; the crystalline basement is continental crustal rock that underlies much of the western North America. The stratigraphy west of the craton consists of 4-5 km of CRBG overlying greater than 6 km of pre-basalt sediments. This in turn overlies accreted terranes of Mesozoic age. The area west of the craton was subsiding during the Eocene and Oligocene, accumulating great thickness of pre-CRBG sediments. Continued subsidence in this area during the Miocene resulted in thicker CRBG compared to that on the craton. Subsidence continues today but at a greatly reduced rate (Reidel et al. 1994).

### 4.3 Depth of Earthquakes

Since records have been kept, about 75% of the earthquakes at the Hanford Site have originated in the CRBG layer. The pre-basalt sediments have had about 7% of the events and the crystalline basement has had 18%. The stratigraphic units for local earthquakes recorded for FY 2000 are listed in Table 4.2.

**Table 4.2.** Number of Local Earthquakes Occurring in Stratigraphic Units

Unit	First Quarter	Second Quarter	Third Quarter	Fourth Quarter	FY 2000
Basalt	2	11	7	-	20 (43.5%)
Pre-basalt Sediments	3	2	1	-	6 (13%)
Crystalline Basement	6	9	5	-	20 (43.5%)
Total	11	22	13	-	46

### 4.4 Tectonic Pattern

Studies have concluded that earthquakes can occur in the following six different tectonic environments (earthquake sources) at the Hanford Site (Geomatrix 1996).

- **Reverse/thrust faults.** Reverse/thrust faults in the CRBG associated with major anticlinal ridges such as Rattlesnake Mountain, Yakima Ridge, and Umtanum Ridge could produce some of the largest earthquakes.

- **Secondary faults.** These are associated with the major anticlinal ridges.
- **Swarm areas.** Small geographic areas of unknown geologic structure produce clusters of events (swarms), usually in the CRBG in synclinal valleys. These clusters consist of a series of small shocks with no outstanding principal event. Swarms occur over a period of days or months and the events may number into the hundreds and then quit, only to start again at a later date. This differs from the sequence of foreshocks, mainshock, and trailing-off aftershocks that have the same epicenter or are associated with the same fault system. Three principal swarm areas are known at the Hanford Site. One is the Wooded Island Swarm Area along the Columbia River near the 300 Area. The second area, the Coyote Rapids Swarm Area, extends from the vicinity of the 100-K Area north-northeast along the Columbia River Horn to the vicinity of the 100-N Area. The third major swarm area is along the Saddle Mountains on the northern boundary of the Hanford Site. Other earthquake swarm areas are present, but activity is less frequent. The Horse Heaven Hills near Prosser, Washington is one example that has been active recently.
- **The entire Columbia Basin.** The entire basin, including the Hanford Site, could produce a “floating” earthquake. A floating earthquake is one that, for seismic design purposes, can happen anywhere in a tectonic province and is not associated with any known geologic structure. It is classified as a random event by Seismic Monitoring for purposes of seismic design and vibratory ground motion studies.
- **Basement source structures.** Studies (Geomatrix 1996) suggest that major earthquakes can originate in tectonic structures in the crystalline basement. Because little is known about geologic structures in the crystalline basement beneath the Hanford Site, earthquakes cannot be directly tied to a mapped fault. Earthquakes occurring in the crystalline basement without known sources are treated as random events for seismic hazards analysis and seismic design.
- **The Cascadia Subduction Zone.** This source recently has been postulated to be capable of producing a magnitude 9 earthquake. Because this source is along the western boundary of Washington State and outside the HSN, the Cascadia Subduction Zone is not an earthquake source that is monitored at the Hanford Site, so subduction zone earthquakes are not reported here. Because any earthquake along the Cascadia Subduction zone can have a significant impact on the Hanford Site (Geomatrix 1996), the UW monitors and reports on this earthquake source for DOE. Ground motion from any moderate or larger Cascadia Subduction Zone earthquake is detected by seismometers in the HSN.

## 4.5 Tectonic Activity

The locations for earthquakes that occurred in the third quarter of FY 2000 are summarized in Tables 4.2 and 4.3 and are described in the following sections.

### 4.5.1 Third Quarter of FY 2000

The locations of all mapped earthquakes that occurred between April 1, 2000 and June 30, 2000 are shown on Figure 4.3.

**Table 4.3. Summary of Earthquake Locations**

Seismic Sources		First Quarter	Second Quarter	Third Quarter	Fourth Quarter	FY 2000
Geologic Structures		2	3	2	-	7
Swarm Areas	Saddle Mountains	0	5	0	-	5
	Coyote Rapids	0	3	1	-	4
	Wooded Island	0	0	1	-	1
	Benson Ranch	0	0	0	-	0
	Horse Heaven Hills	0	4	1	-	5
Random Events		9	7	8	-	24

#### **4.5.1.1 Geologic Structures**

During the third quarter of FY 2000, we interpret two seismic events (15% of the third quarter events) to be related to anticlinal ridges. On May 4th and 5th, two events ( $M_c$  1.8 and 2.1, respectively) occurred in the basalt near the mouth of Badger Coulee in the Benton City Area. These events occurred along the southwest end of Goose Hill, a small anticlinal ridge between the Rattlesnake Mountain trend and the Horse Heaven Hills.

#### **4.5.2 Earthquake Swarm Areas**

There were 3 earthquakes (23%) that occurred in known swarm areas during the third quarter of FY 2000.

##### **4.5.2.1 Saddle Mountains Earthquake Swarm Area**

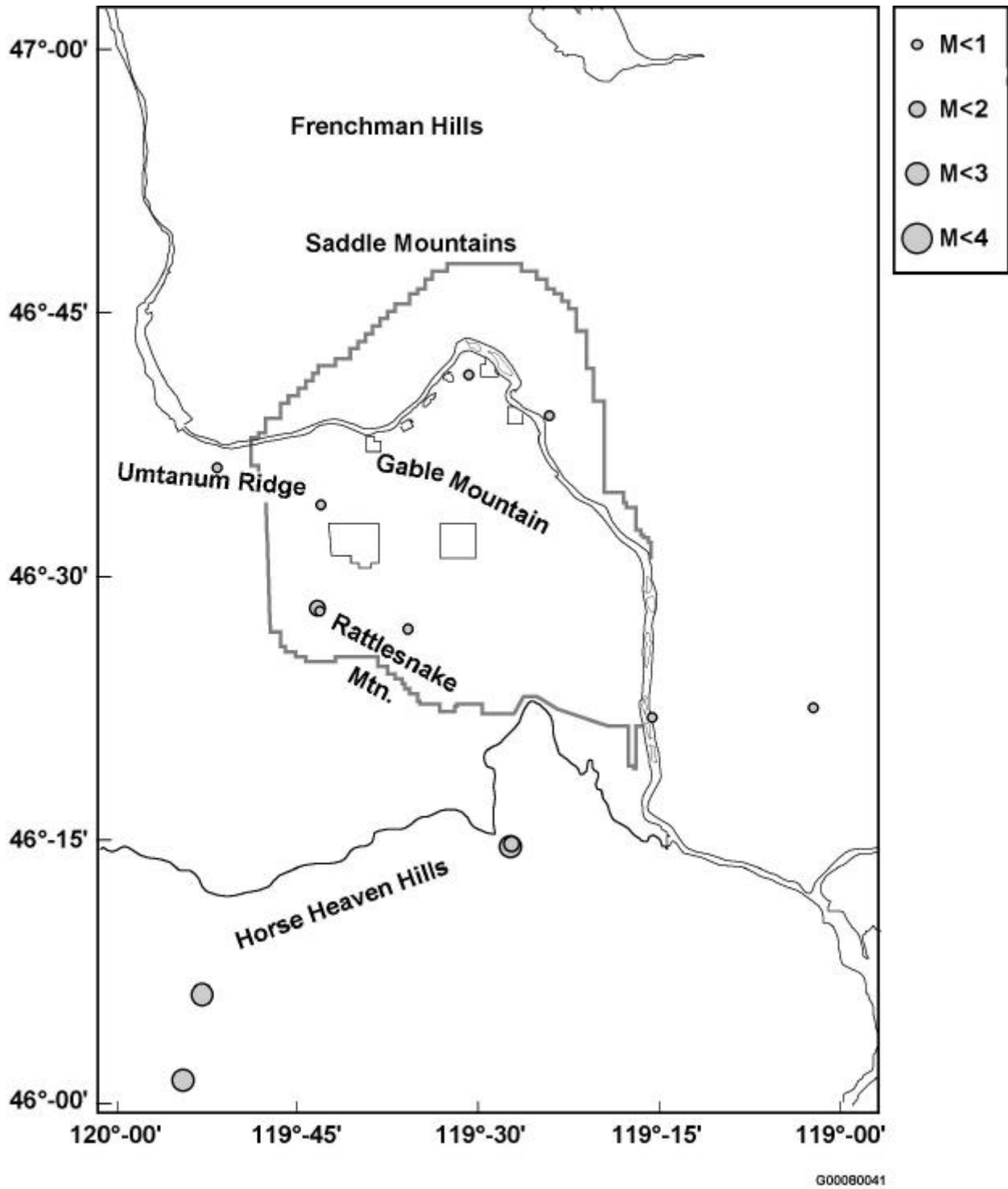
No events occurred in the Saddle Mountains earthquake swarm during the third quarter of FY 2000.

##### **4.5.2.2 Coyote Rapids Earthquake Swarm Area**

One April 21, one small ( $M_c$  0.0), shallow event occurred near 100-K Area. This location saw an event during the first quarter of FY 2000 and has been active in the past. There are no known geologic structures in this area.

##### **4.5.2.3 Wooded Island Earthquake Swarm Area**

On May 5th, a small ( $M_c$  0.7) event occurred in the basalt near Johnson Island. This is the first event to occur in the Wooded Island earthquake swarm this fiscal year.



**Figure 4.3.** Locations of All Events Between April 1, 2000 and June 30, 2000  
 (Coda Length Magnitude ( $M_c$ ) scale is shown at the side of the map)

#### **4.5.2.4 Horse Heaven Hills Swarm Area**

A small ( $M_c$  1.1) event occurred on May 5th along the south side of the Horse Heaven Hills about 3 km from the crest of the ridge. The event occurred in the basalt near the surface. This area first became active during FY 1999 and was designated the Horse Heaven Hills swarm area.

#### **4.5.3 Random or Floating Events**

There were eight events (62%) classified as random this quarter because they did not occur in known earthquake swarm areas or along known geologic structures. One event was in the prebasalt sediments and five events were in the crystalline basement. The other events occurred in the basalt. No faults or folds have been identified below the basalt so events in the prebasalt sediments and crystalline basement are classified as random events.

A small event ( $M_c$  0.0) occurred on April 30th in the crystalline basement on the south side of Umtanum Ridge; a second event ( $M_c$  0.4) occurred nearby in the prebasalt sediments on June 6th. These events are classified as random events because the faults associated with the major folds in the basalt are interpreted to not extend below the basalt. Other events have occurred along the Umtanum trend during the first two quarters of FY 2000.

On May 10th, a small ( $M_c$  0.4) event occurred in the crystalline basement beneath the Columbia River in the vicinity of Locke Island and east of the Coyote Rapids earthquake swarm area. This event is classified as random because it is in the crystalline basement.

On May 11th, a small event ( $M_c$  0.8) occurred in the basalt near the town of Eltopia, Washington on the east side of the Pasco Basin. No geologic structure has been mapped there so this event is interpreted as a random event.

On May 15th, a small ( $M_c$  0.9) event occurred in the crystalline basement north of Rattlesnake Mountain. This event is classified as a random event because of its great depth.

On June 23rd and June 30th, two events ( $M_c$  1.0 and 0.1, respectively) occurred at the same location in the crystalline basement beneath the Snively Basin area of Rattlesnake Mountain-Rattlesnake Hills (SNI Figure 2.1). Because of their great depths, both events are classified as random events.

On June 29th, a  $M_c$  2.3 event occurred in the basalt (instrumentally located at a depth of 0.04 km) about 10 km south of the crest of the Horse Heaven Hills. Because this event cannot be associated with a known, mapped geologic structure on the Horse Heaven Hills, it is classified as a random event.

## **5.0 Strong Motion Accelerometer Operations**

The Hanford SMA network was restarted November 20, 1999 after a one year hiatus. Since its restart, there were no earthquake triggers. The SMA network had several triggers resulting from noise. The number of triggers resulting from noise and normal human activity is being monitored to determine the optimal settings for the triggering system. Our objective is to obtain an optimum balance between having minimal triggers caused by noise and detection of the smallest possible earthquake.

## **6.0 Capabilities in the Event of a Significant Earthquake**

The SMA network was designed to provide ground motion in areas at Hanford that have high densities of people and/or have hazardous facilities. This section summarizes the capabilities of the Seismic Monitoring Team in the event of an earthquake at Hanford.

### **6.1 Use of the SMA Network in the Event of an Earthquake**

Historically, only a few facilities at the Hanford Site had instruments to provide data on peak ground accelerations or any type of ground motion. The present SMA instruments were located so that if an earthquake occurred, ground motion data would be readily available to assess the damage at the 100-K Area, the 200 East and West Areas, the 300 and 400 Area facilities, which have the greatest concentration of people, and all the hazardous materials.

Many facilities at the Hanford Site have undergone various degrees of seismic analysis either during design or during re-qualification. Although the seismic design of a building may be known, when an earthquake is felt, a determination must be made as to the extent of damage before it can be reoccupied and the systems restarted. A felt earthquake may not cause any damage to a building but without adequate characterization of the ground motion, initial determination of damage may be impossible.

In the event of an earthquake, building managers, emergency directors, and engineers can obtain ground motion data recorded by the SMA network from the Seismic Monitoring Team in Sigma V. If a SMA is triggered, the Seismic Monitoring Team will download events that were recorded and determine the peak ground accelerations and the spectral response curves. This information can then be used by the facility engineers to determine if the ground motion exceeded, is equal to, or is less than the building design. This, together with assessments from trained engineers, allows the facility manager to make a rapid and cost effective determination on whether a building is safe to reoccupy or should be not be used until it has been inspected in more detail. Buildings that have designs exceeding the recorded ground motion could be put back into service very quickly; buildings with designs that are very close to or less than measured ground motion could be given priority for onsite damage inspections.



## 7.0 References

- Campbell, N. P. 1989. "Structural and stratigraphic interpretation of rocks under the Yakima fold belt, Columbia Basin, based on recent surface mapping and well data." In S. P. Reidel and P. R. Hooper (eds.), *Volcanism and Tectonism in the Columbia River Flood-Basalt Province Geological Society of America Special Paper 239*, pp. 209-222.
- Crosson, R. S. 1972. *Small Earthquakes, Structure and Tectonics of the Puget Sound Region*. Bulletin of the Seismological Society of America, 62(5):1133-1171.
- DOE. 1988. *Site Characterization Plan for the Reference Location, Hanford, Washington-Consultation Draft*. Report DOE/RW-0164, Vol. 1, U.S. Department of Energy, Washington, D.C.
- Fenneman, N. M. 1931. *Physiography of Western United States*. McGraw-Hill, 534 pp.
- Geomatrix. 1996. *Probabilistic Seismic Hazard Analysis, DOE Hanford Site, Washington*. WHC-SD-W236A-TI-002, Rev. 1, Westinghouse Hanford Company, Richland, Washington.
- Moore, C., and S. P. Reidel. 1996. *Hanford Site Seismic Monitoring Instrumentation Plan*. WHC-SD-GN-ER-30036, Westinghouse Hanford Company, Richland, Washington.
- Reidel, S. P., and P. R. Hooper (eds.). 1989. *Volcanism and Tectonism in the Columbia River Flood-Basalt Province Geological Society of America Special Paper 239*, 386 pp.
- Reidel, S. P., N. P. Campbell, K. R. Fecht, and K. A. Lindsey. 1994. "Late Cenozoic Structure and Stratigraphy of South-Central Washington." In E. Cheney and R. Lasmanis (eds.), *Regional Geology of Washington State, Washington Division of Geology and Earth Resources Bulletin 80*, pp. 159-180, Olympia, Washington.
- Reidel, S. P., K. R. Fecht, M. C. Hagood, and T. L. Tolan. 1989. "Geologic Development of the Central Columbia Plateau." In S. P. Reidel and P. R. Hooper (eds.), *Volcanism and Tectonism in the Columbia River Flood-Basalt Province Geological Society of America Special Paper 239*, pp. 247-264.
- Richter, C. F. 1958. *Elementary Seismology*, W. H. Freeman and Company, p. 768.
- Rohay, A. C., D. W. Glover, and S. D. Malone. 1985. *Time-Term Analysis of Upper Crustal Structure in the Columbia Basin, Washington*. RHO-BW-SA-435 P, Rockwell Hanford Operations, Richland, Washington.

## Distribution

**No. of  
Copies**

**No. of  
Copies**

**OFFSITE**

Consolidated Information Center  
Washington State University - Tri-Cities  
100 Sprout Road  
Richland, WA 99352-1643

J. Litehiser  
Bechtel National, Inc.  
P.O. Box 193965  
San Francisco, CA 94119-3965

- 3 Oregon Department of Geology and  
Mineral Industries  
Suite 965, 800 NE Oregon Street #28  
Portland, OR 97232  
ATTN: J. Beaulieu  
Library  
I. Madin

S. Sobczyk  
Nez Perce Tribe  
P.O. Box 365  
Lapwai, ID 83540

M. Stickney  
Montana Tech University  
Earthquake Studies Office  
Butte, MT 59701

- 5 University of Washington  
Geophysics Program  
P.O. Box 351650  
Seattle, WA 98195-1650  
ATTN: R. Crosson  
R. Ludwin  
S. Malone  
A. Qamar  
R. Steele

- 3 U.S. Geological Survey  
University of Washington  
P.O. Box 351650  
Seattle, WA 98195  
ATTN: C. Weaver  
T. Yelin

Mail Stop 977  
345 Middlefield Road  
Menlo Park, CA 94025  
ATTN: H. Stenner

- 1 U.S. Fish and Wildlife Service  
3250 Port of Benton Blvd  
Richland, WA 99352

- 4 Washington Division of Geology and Earth  
Resources  
P.O. Box 47007  
Olympia, WA 98504-7007  
ATTN: R. Lasmanis  
C. Manson  
S. Palmer  
T. Walsh

Washington State University  
Department of Geology  
P.O. Box 643420  
Pullman, WA 99164-2812

J. Zollweg  
Boise State University  
Department of Geosciences  
Boise, ID 83725

**No. of  
Copies**

**No. of  
Copies**

**ONSITE**

**Fluor Daniel Northwest, Inc.**

**7 DOE Richland Operations Office**

F. M. Mann H0-22

M. J. Furman H0-12  
 R. D. Hildebrand H0-12  
 J. E. Mecca R3-79  
 M. R. Moreno A5-55  
 K. M. Thompson H0-12  
 J. L. Tokarz-Hames A5-55  
 D. C. Ward A2-15

**4 CH2M-Hill Corporation**

S. M. Faulk S7-86  
 A. J. Knepp H0-22  
 R. R. Thompson R2-12  
 J. J. Zach R1-49

**4 Bechtel Hanford, Inc.**

**Numatec Hanford Corporation**

V. J. Cueno H0-18  
 K. R. Fecht H0-02  
 P. J. Mackey B3-15  
 R. S. Rajagopal H0-18

T. J. Conrads H5-25

**2 Waste Management Federal Services of  
Hanford, Inc.**

**B&W Hanford Company**

M. I. Wood H6-06  
 M. T. York T3-01

D. A. Conners T5-11

**16 Pacific Northwest National Laboratory**

**Duke Engineering & Services, Inc.**

M. V. Berriochoa K9-56  
 J. S. Fruchter K6-96  
 D. C. Hartshorn K6-81  
 D. G. Horton K6-81

R. Whitehurst II R3-86

**DynCorp Tri-Cities Services, Inc.**

W. J. Martin K6-81  
 B.D. Moon K9-55  
 P. E. Moore P7-63  
 S. P. Reidel K6-81

T. P. Morales A3-05

**3 Fluor Daniel Hanford, Inc.**

A. C. Rohay K6-81  
 R. M. Smith K6-96  
 M.M. Valenta K6-81  
 Information Release Office (7) K1-06

D. A. Arrigoni N2-57  
 B. R. Bowman N2-56  
 J. T. Curtis B3-15