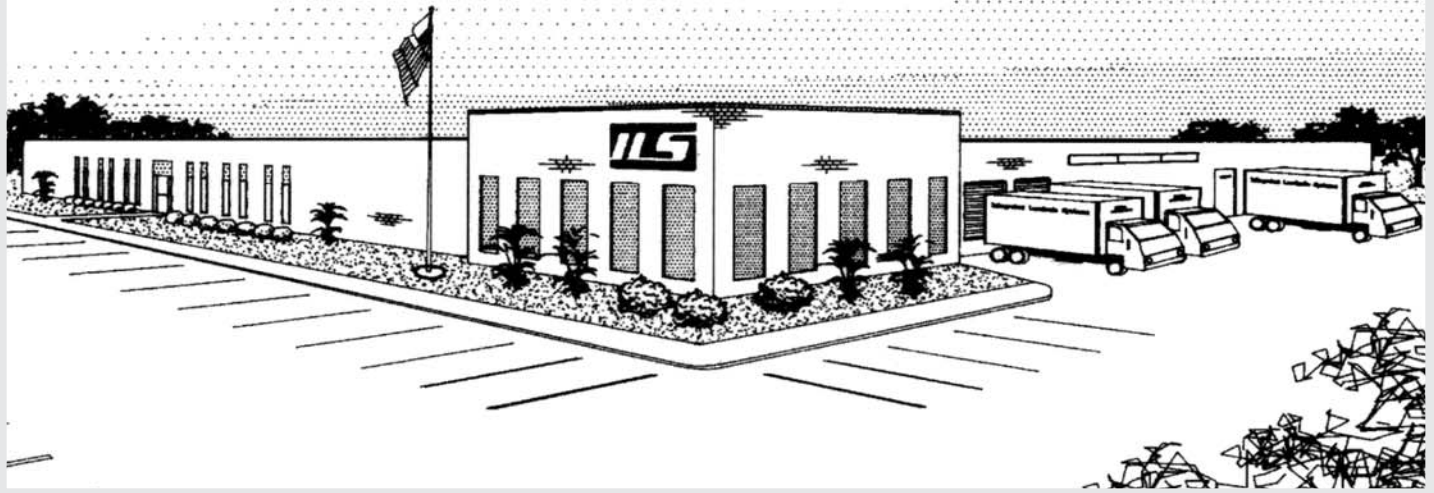
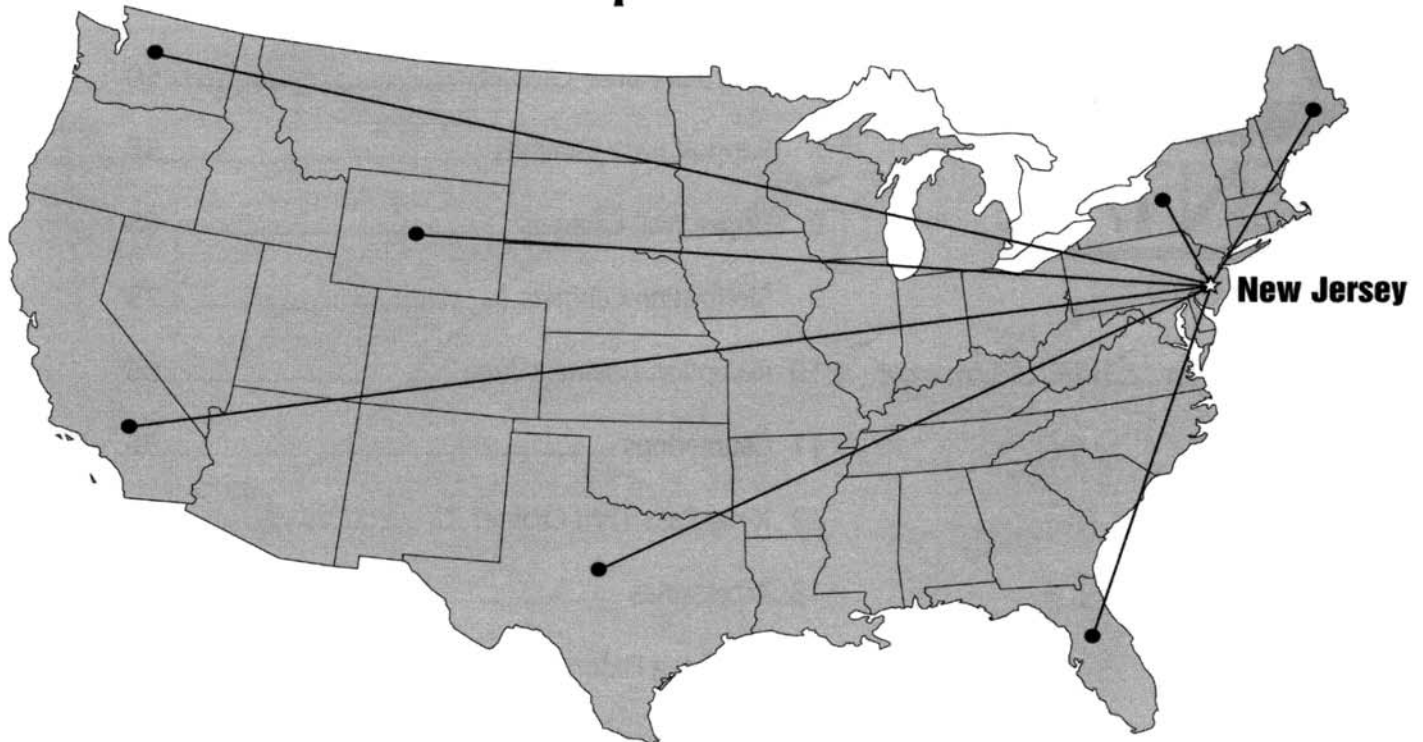


ILS INTEGRATED DENTAL LAMINATE SYSTEMS INC



We Ship Nationwide



Office Hours:

8:00 AM to 5:00 PM, Monday – Friday

Phone: 1-800-294-1333 • Fax: 856-665-2505

E-Mail: sales@ilsdental.com

- ✎ All orders must be placed through an authorized I.L.S. Dental Dealer.
 - ✎ Orders taken by phone are processed according to our understanding of your verbal instructions.
 - ✎ Please include the following information with your order.

Purchase Order Number	Description
Shipping Address	Color of Cabinets
Shipping Date Required	Color of Tops
Method of Shipping	Color of Accent Panels (where applicable)
Quantity	Accessories a Options
Model and/or Part Number	Pulls or Touch latches (If Pulls give Color)
 - ✎ To ensure that your order is processed correctly, we suggest that your order be accompanied by a layout indicating the overall top dimensions and cabinet arrangement.
 - ✎ I.L.S. can supply custom work. Please contact the factory with your special requirements.
 - ✎ We are constantly striving to improve our products, and we reserve the right to make modifications without the need for prior notification. Nor are we obligated to modify previously manufactured items.
- Every order received by phone is acknowledged in writing. It is your responsibility to check acknowledgments carefully against your order to ascertain it is correct.

ELECTRICAL

- ✎ All outlets are UL approved, 20 amp.

TERMS

- ✎ All payments are Net 30 days.
- ✎ A service charge of 2% per month will be charged on accounts over 30 days.
- ✎ Customer is responsible for payment of all costs and expenses of collection of any debt to I.L.S. including but not limited to attorney fees, court costs, and any other costs associated with collection.

SHIPPING

- ✎ Carrier is responsible for damage or loss in transit. Any external damage should be noted on receipt as "received in bad condition" and contact carrier (within 2 days) and arrange for inspection. If concealed damage is found when cabinets are unpacked, a "request for inspection" to the carrier must be made within 10 days.
- ✎ Unless exact shipping instructions are indicated with your order, shipment will be determined by I.L.S.
- ✎ All shipments are made F.O.B. Pennsauken, NJ, freight collect unless otherwise specified.

RETURN POLICY

- ✎ Cabinets will not be accepted for return without prior authorization. If written consent is given for a return, credit will be issued for the original invoice price less transportation cost, less 15% restocking charge.
- ✎ Custom designed cabinets or special colors (non standard) are not returnable.
- ✎ You must supply copy of original invoice and reasons for return with your return authorization request.
- ✎ All cancellations must be confirmed in writing. Any order in process at the time the cancellation is received is subject to a charge of 15% or more, depending on the amount of work completed.

WARRANTY

- ✎ I.L.S. warrants its products to be free from defects in material and workmanship and agrees to remedy any such defect, or to furnish a new or equal part in exchange. Staining, discoloration, or deterioration of laminate caused by disinfectant solutions, X-ray processing solutions, and other solvents and chemicals are not covered under this warranty. No other warranties are expressed or implied. This warranty shall extend for two years from date of original purchase, provided such product is used for the purpose for which it is intended, and the damage is not the result of abuse or misuse. This warranty does not cover damage resulting from improper installation, or

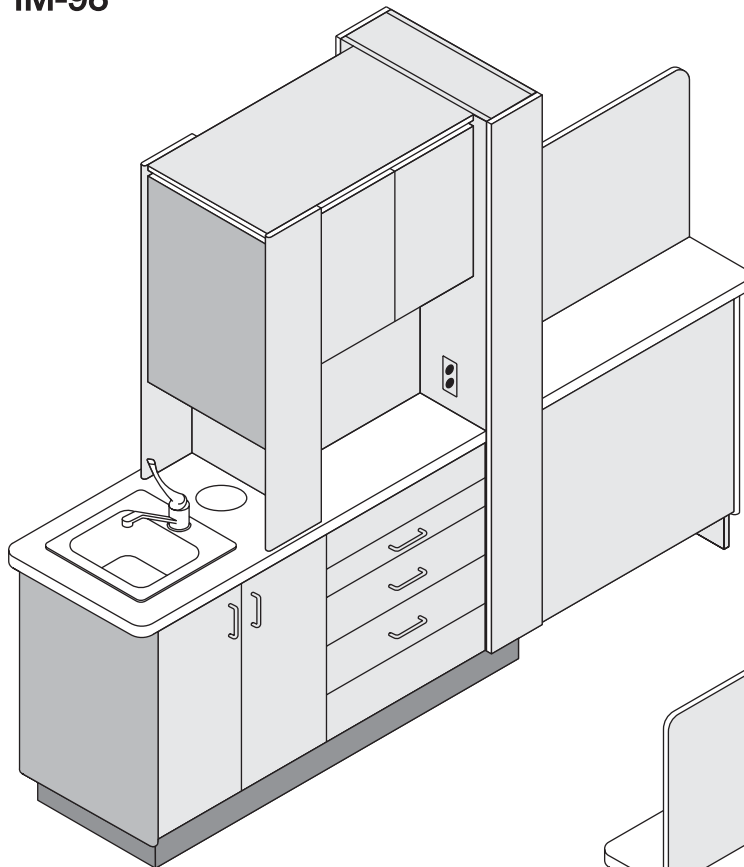


"Creating a Better Dental Image"

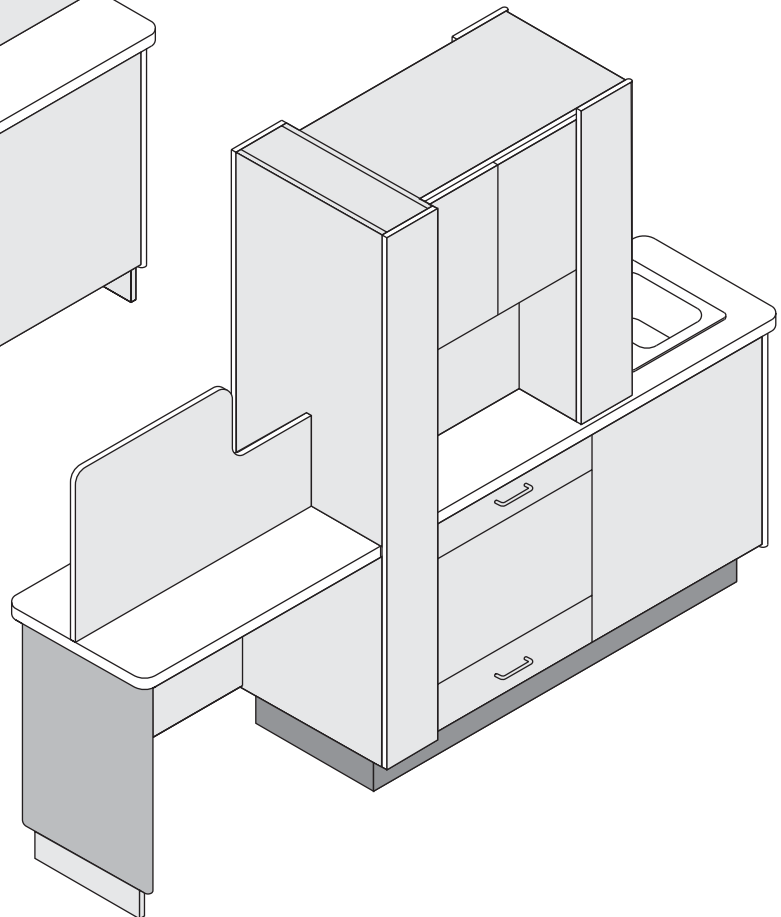
Table of Contents

Section	Page
1 Ordering Information.....	2
Contents.....	3
2 Islands Modules.....	4
12 0'clock Treatment Modules	14
12 0'clock Basic Module.....	24
12 0'clock Hi-Tech.....	26
Rear Support Treatment.....	30
Assistant's Modules.....	32
Doctor's Modules.....	34
3 Operatory Combos.....	38
X-ray Pass-thru.....	42
4 Operatory Mobiles.....	44
5 Sterilization Cabinets.....	49
6 Orthodontic Cabinetry ...	61
7 Operatory Base Cabinets.....	78
8 Support Base Cabinets.....	84
9 Upper Wall Cabinets.....	93
10 Reception/Business Area	101
11 Counter tops.....	112
12 Accessories.....	114
13 Plumbing Fixtures.....	119
14 Care & Cleaning.....	122
15 Integranite Counter Specs.....	124
16 Notes.....	125

IM-98



ASSISTANT'S SIDE



DOCTOR'S SIDE

Dimensions

Length:	98 1/4"
Depth:	23 3/4"
Height:	75"
Countertop:	33 1/2"

Features

- *Upper pass-thru cabinet with laminate doors.
- *Privacy center divider with task lighting and outlets (20 amps) on Assistant's side and Doctors side.
- *Upper storage cabinet with adjustable shelf and cup/towel dispenser.
- *X-ray column is reinforced with hardwood plywood and adaptable to any X-ray and/or light mount.
- *Removable bottom for utility connections.
- *Side delivery compartment with back panel accepts most delivery systems.
- *Doctor side: (2)drawers- (1)3 5/8" and (1)6 1/4"
- *Assistant side: (3)drawers- (1)3 5/8" and (2)6 1/4"
- *Waste compartment with countertop drop and 36-quart waste container.
- *Stainless steel sink and faucet.
- *Separate base with leveling feet.

IM-98 Standard Island Module \$7,894.00

Select Options

- *GD-2 Glove or tissue dispenser \$102.00
- *GDI Glass door insert in center upper storage (per door) \$95.00
- *IM-98/BCPT Passthru base cabinet under x-ray \$1,187.00
- *IM-98/XRS X-ray shielding \$587.00
- *IM-98/DWR Drawer under x-ray \$321.00

Select Sink/Plumbing

- *1-570 15"x15" S/S sink w/S.L faucet Included
- *PS/W Porcelain sink upgrade (white) \$441.00
- *TMC Tapmaster foot control \$472.00
- *TMC-D Tapmaster foot control dual \$714.00
- *SD Soap dispenser \$47.00

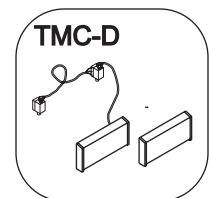
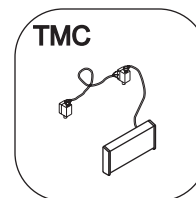
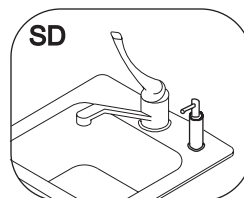
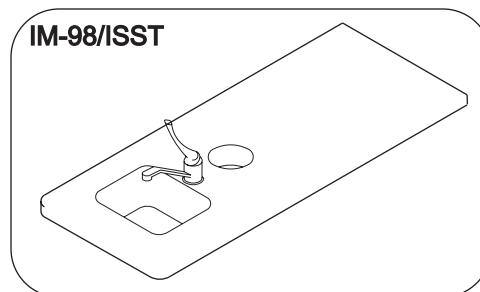
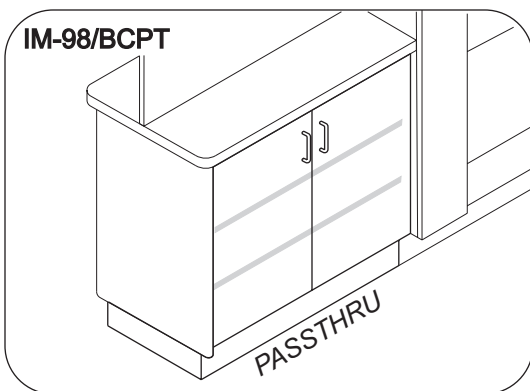
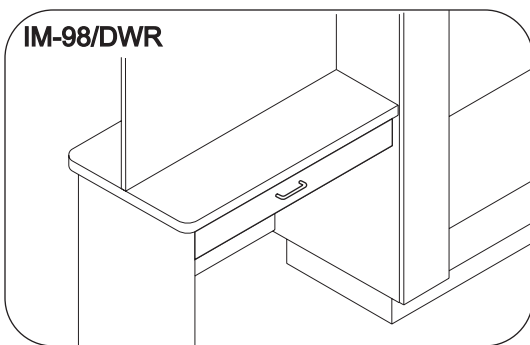
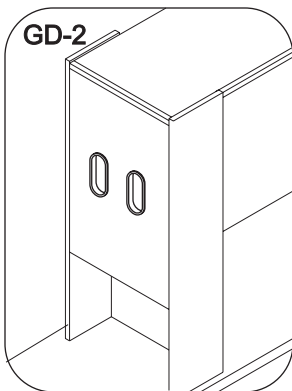
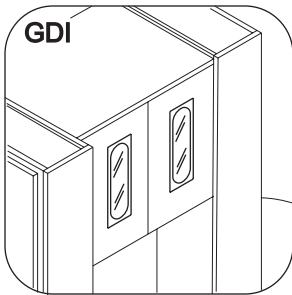
Select Countertop Options

- *IM-98/ISST Upgrade to solid surface top with integral bowl \$1,818.00

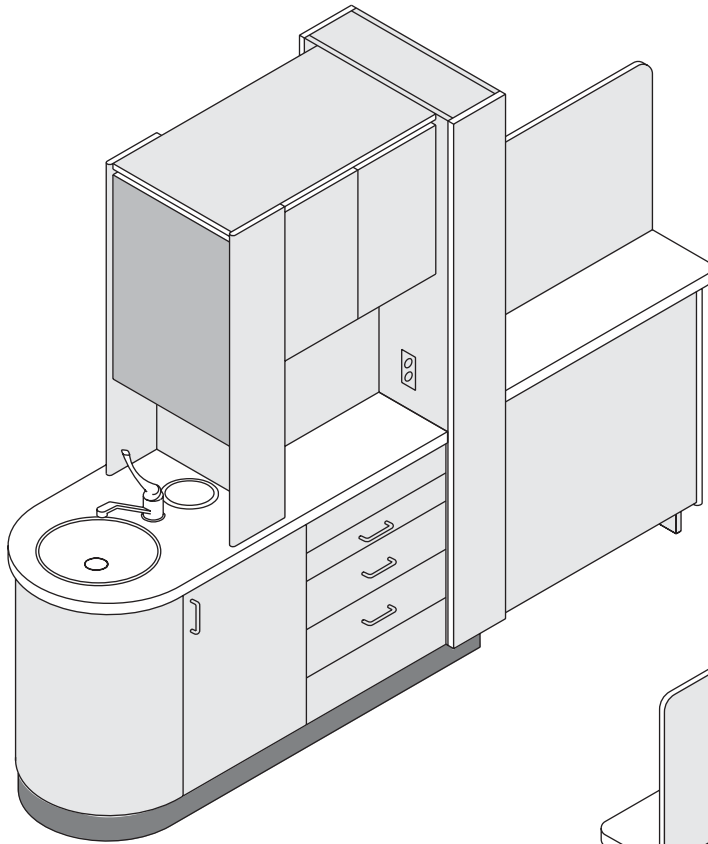
Select Colors

- Countertop:
- Cabinets:
- Accent:
- PVC:
- Base:
- Pulls:
- Sink right or left:

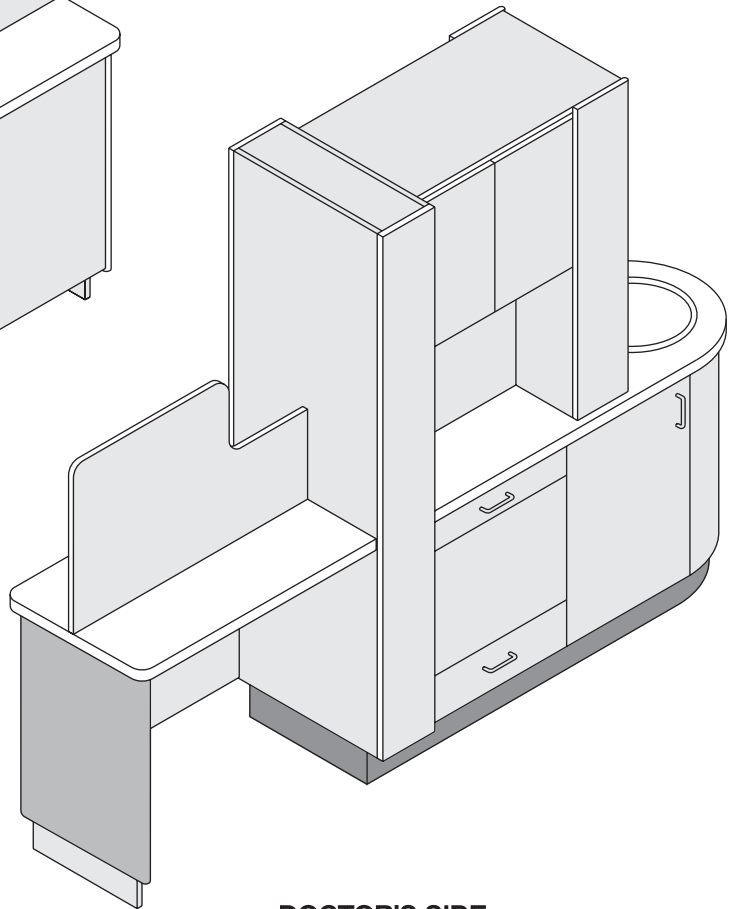
Cabinet Total..... \$



IMR-98



ASSISTANT'S SIDE



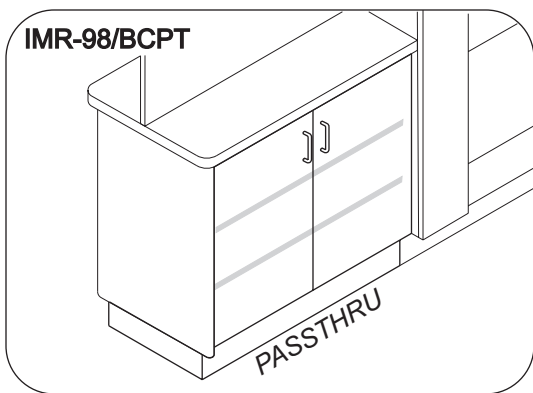
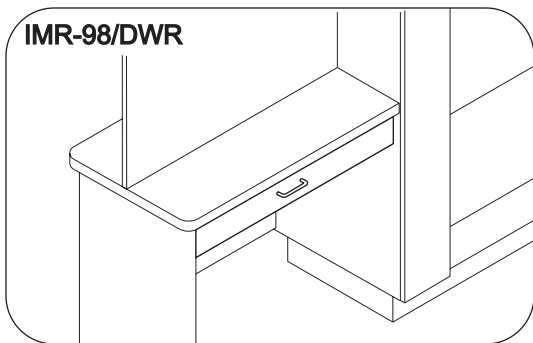
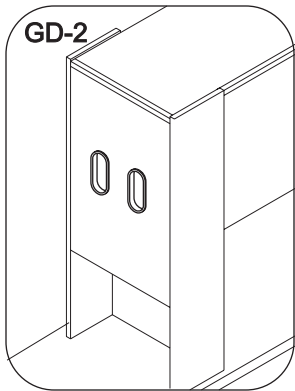
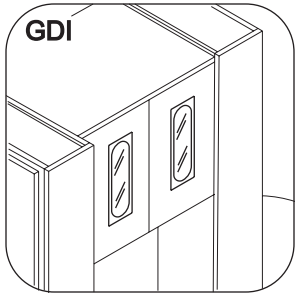
DOCTOR'S SIDE

Dimensions

Length:	97 5/8"
Depth:	23 3/4"
Height:	75"
Countertop:	33 1/2"

Features

- *Upper pass-thru cabinet with laminate doors.
- *Privacy center divider with task lighting and outlets (20 amps) on Assistant's side and Doctors side.
- *Upper storage cabinet with adjustable shelf and cup/towel dispenser.
- *X-ray column is reinforced with hardwood plywood and adaptable to any X-ray and/or light mount.
- *Removable bottom for utility connections.
- *Side delivery compartment with back panel accepts most delivery systems.
- *Doctor side: (2)drawers- (1)3 5/8" and (1)6 1/4"
- *Assistant side: (3)drawers- (1)3 5/8" and (2)6 1/4"
- *Waste compartment with countertop drop and 36-quart waste container.
- *Stainless steel sink and faucet.
- *Separate base with leveling feet.



IMR-98 Round Island Module \$8,689.00

Select Options

- *GD-2 Glove or tissue dispenser \$102.00
- *GDI Glass door insert in center upper storage (per door) \$95.00
- *IMR-98/BCPT Passthru base cabinet under x-ray \$1,187.00
- *IMR-98/XRS X-ray shielding \$587.00
- *IMR-98/DWR Drawer under x-ray \$321.00

Select Sink/Plumbing

- *1-570 15"x15" S/S sink w/S.L faucet Included
- *PS/W Porcelain sink upgrade (white) \$441.00
- *TMC Tapmaster foot control \$472.00
- *TMC-D Tapmaster foot control dual \$714.00
- *SD Soap dispenser \$47.00

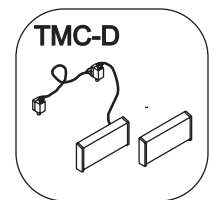
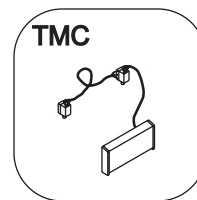
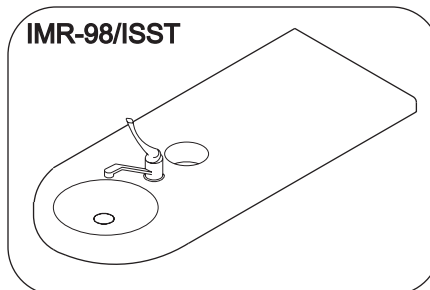
Select Countertop Options

- *IMR-98/ISST Upgrade to solid surface top with integral bowl \$2,033.00

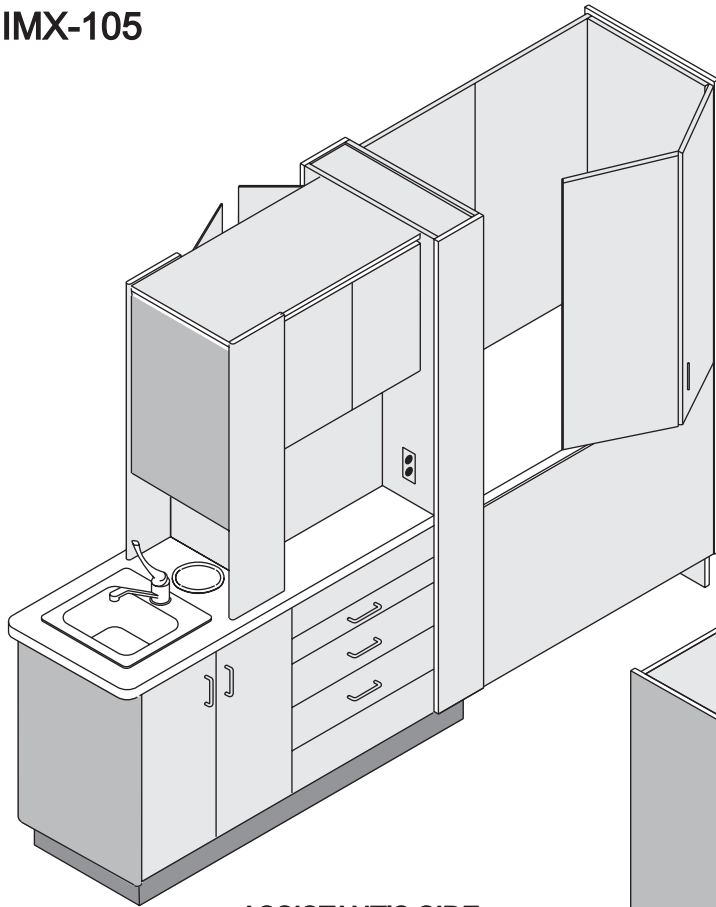
Select Colors

- Countertop:
- Cabinets:
- Accent:
- PVC:
- Base:
- Pulls:
- Sink right or left:

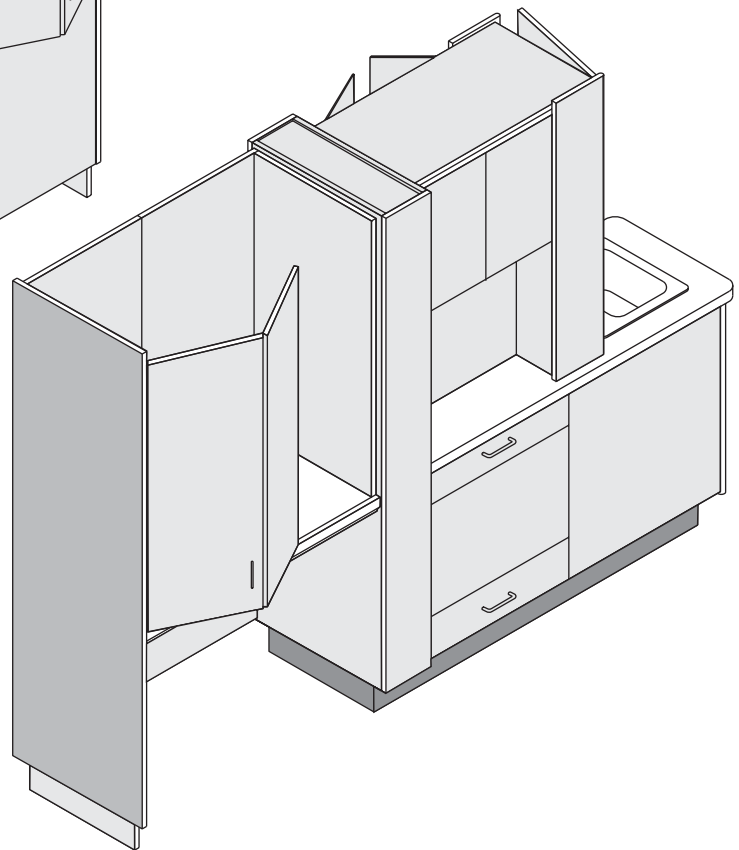
Cabinet Total..... \$



IMX-105



ASSISTANT'S SIDE



DOCTOR'S SIDE

Dimensions

Length:	104 3/4"
Depth:	23 3/4"
Height:	75"
Countertop:	33 1/2"

Features

- *Upper pass-thru cabinet with laminate doors.
- *Privacy center divider with task lighting and outlets (20 amps) on Assistant's side and Doctors side.
- *Upper storage cabinet with adjustable shelf and cup/towel dispenser.
- *X-ray column is reinforced with hardwood plywood and adaptable to any X-ray and/or light mount.
- *Removable bottom for utility connections.
- *Side delivery compartment with back panel accepts most delivery systems.
- *Doctor side: (2)drawers- (1)3 5/8" and (1)6 1/4"
- *Assistant side: (3)drawers- (1)3 5/8" and (2)6 1/4"
- *Waste compartment with countertop drop and 36-quart waste container.
- *Stainless steel sink and faucet.
- *Separate base with leveling feet.

IMX-105 Island Module with X-ray enclosure \$9,282.00

Select Options

*GD-2	Glove or tissue dispenser	\$102.00
*GDI	Glass door insert in center upper storage (per door)	\$95.00
*IMX-105/BCPT	Passthru base cabinet under x-ray	\$1,187.00
*IMX-105/XRS	X-ray shielding	\$995.00
*IMX-105/DWR	Drawer under x-ray	\$321.00
*IMX-105/88HT	Increase island height to 88"	\$945.00
*IMX-105/FASCIA	Add fascia to ceiling (up to 12")	\$420.00

Select Sink/Plumbing

*1-570	15"x15" S/S sink w/S.L faucet	Included
*PS/W	Porcelain sink upgrade (white)	\$441.00
*TMC	Tapmaster foot control	\$472.00
*TMC-D	Tapmaster foot control dual	\$714.00
*SD	Soap dispenser	\$47.00

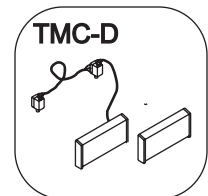
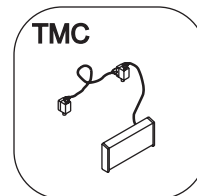
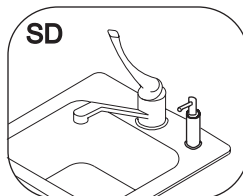
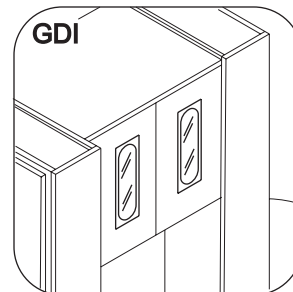
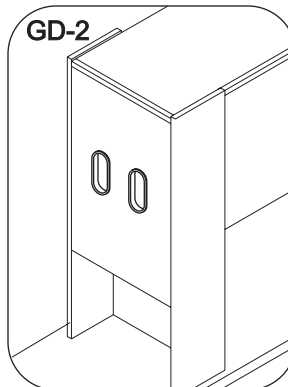
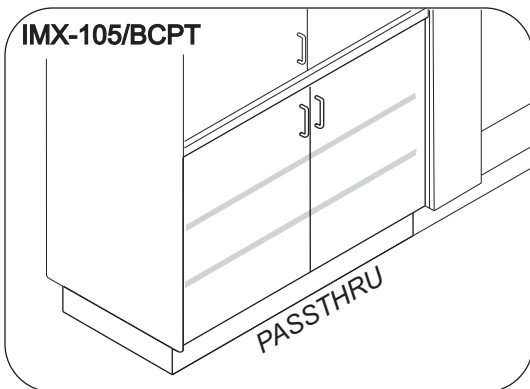
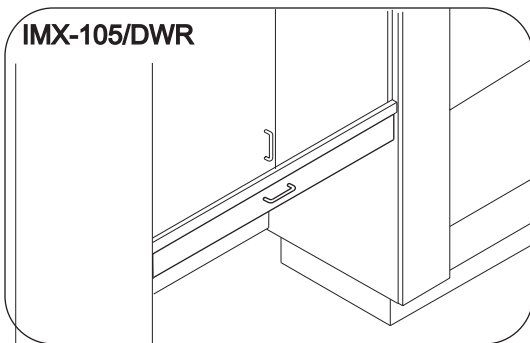
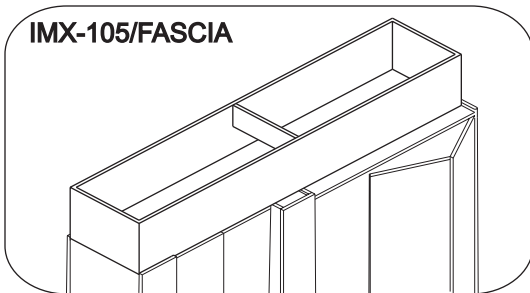
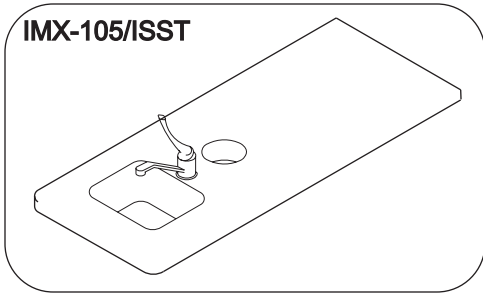
Select Countertop Options

*IMX-105/ISST	Upgrade to solid surface top with integral bowl	\$1,250.00
---------------	---	------------

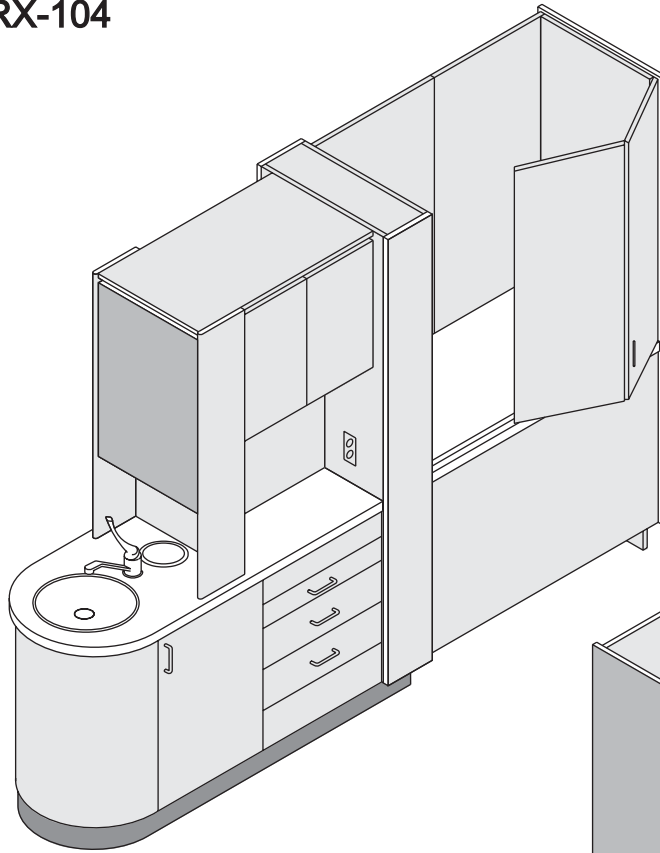
Select Colors

Countertop:
Cabinets:
Accent:
PVC:
Base:
Pulls:
Sink right or left:

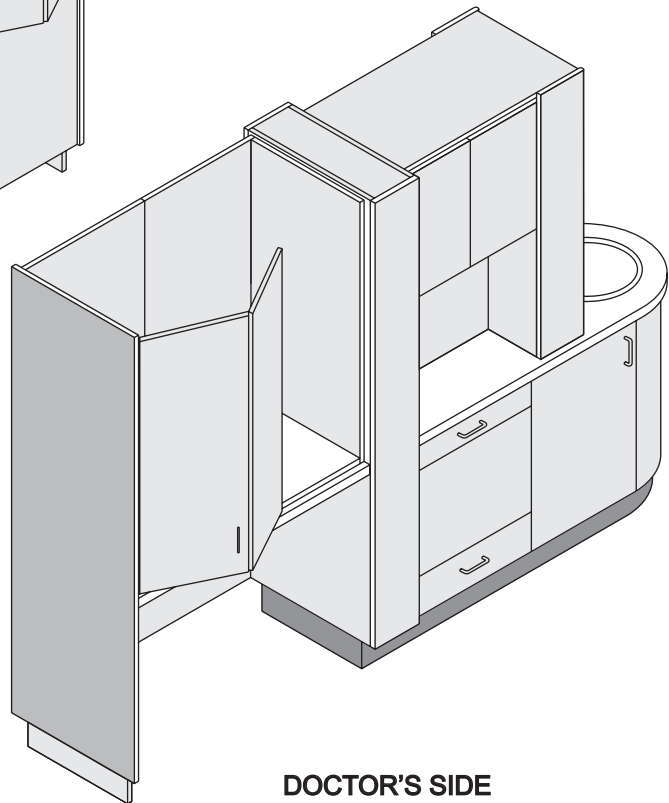
Cabinet Total..... \$



IMRX-104



ASSISTANT'S SIDE



DOCTOR'S SIDE

Dimensions

Length:	104 1/8"
Depth:	23 3/4"
Height:	75"
Countertop:	33 1/2"

Features

- *Upper pass-thru cabinet with laminate doors.
- *Privacy center divider with task lighting and outlets (20 amps) on Assistant's side and Doctors side.
- *Upper storage cabinet with adjustable shelf and cup/towel dispenser.
- *X-ray column is reinforced with hardwood plywood and adaptable to any X-ray and/or light mount.
- *X-ray enclosure.
- *Removable bottom for utility connections.
- *Side delivery compartment with back panel accepts most delivery systems.
- *Doctor side: (2)drawers- (1)3 5/8" and (1)6 1/4"
- *Assistant side: (3)drawers- (1)3 5/8" and (2)6 1/4"
- *Waste compartment with countertop drop and 36-quart waste container.
- *Stainless steel sink and faucet.
- *Separate base with leveling feet.

IMRX-104 Round Island Module with X-ray enclosure \$10,422.00

Select Options

- *GD-2 Glove or tissue dispenser \$102.00
- *GDI Glass door insert in center upper storage (per door) \$95.00
- *IMRX-104/BCPT Passthru base cabinet under X-ray enclosure \$1,187.00
- *IMRX-104/XRS X-ray shielding \$995.00
- *IMRX-104/DWR Drawer under x-ray \$321.00
- *IMRX-104/88HT Increase island height to 88" \$945.00
- *IMRX-104/FASCIA Add fascia to ceiling (up to 12") \$420.00

Select Sink/Plumbing

- *D1-13 13"round S/S sink w/S.L faucet Included
- *PSW Porcelain sink upgrade (white) \$441.00
- *TMC Tapmaster foot control \$472.00
- *TMC-D Tapmaster foot control dual \$714.00
- *SD Soap dispenser \$47.00

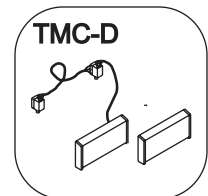
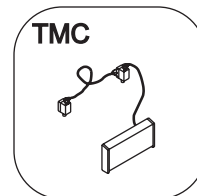
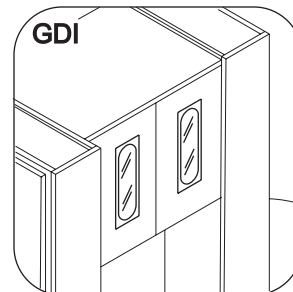
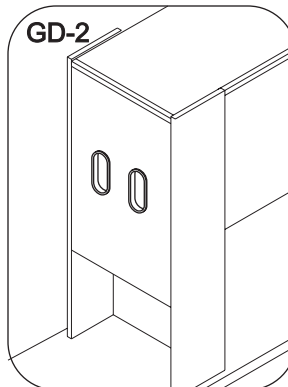
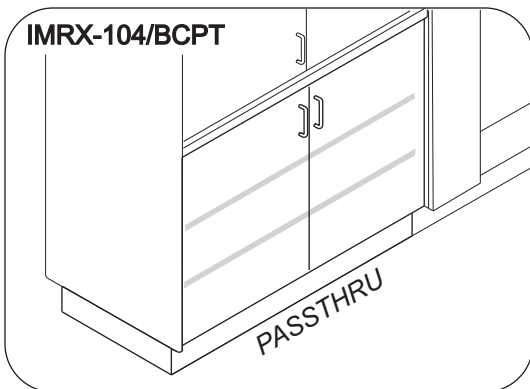
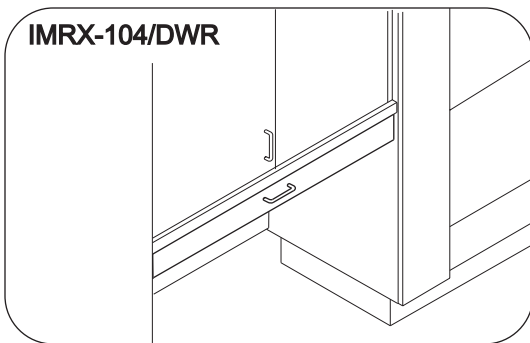
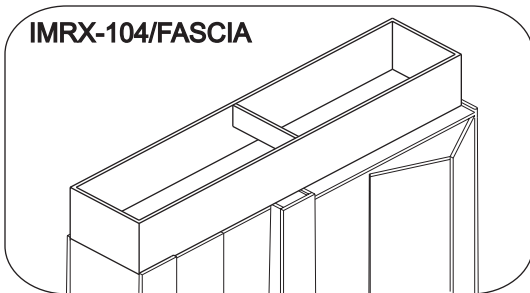
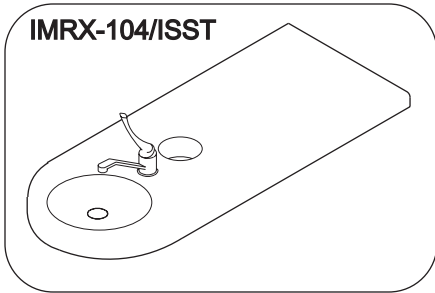
Select Countertop Options

- *IMRX-104/ISST Upgrade to solid surface top with integral bowl \$1,313.00

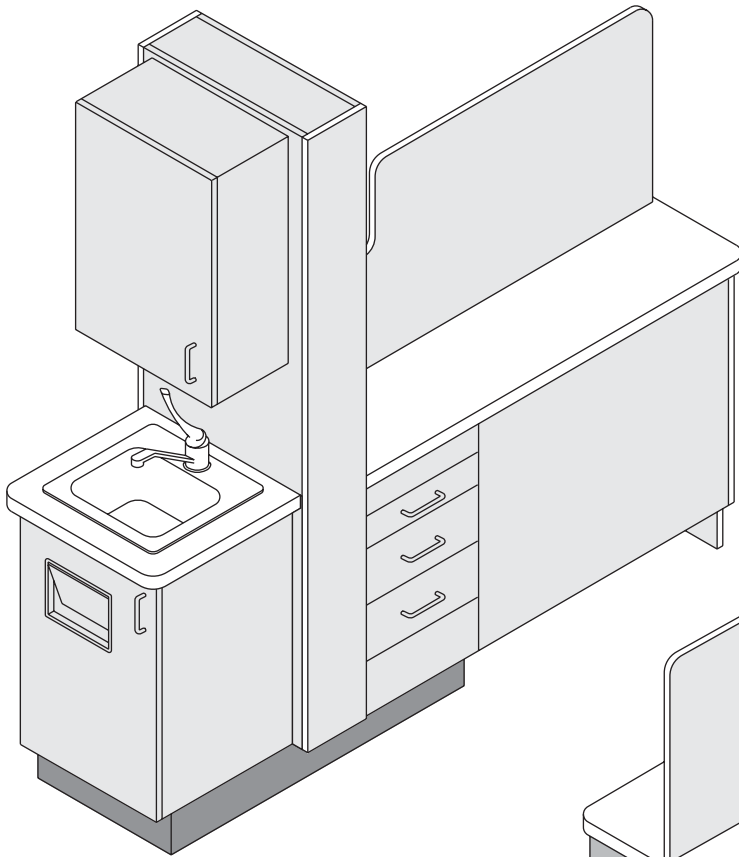
Select Colors

- Countertop:
- Cabinets:
- Accent:
- PVC:
- Base:
- Pulls:
- Sink right or left:

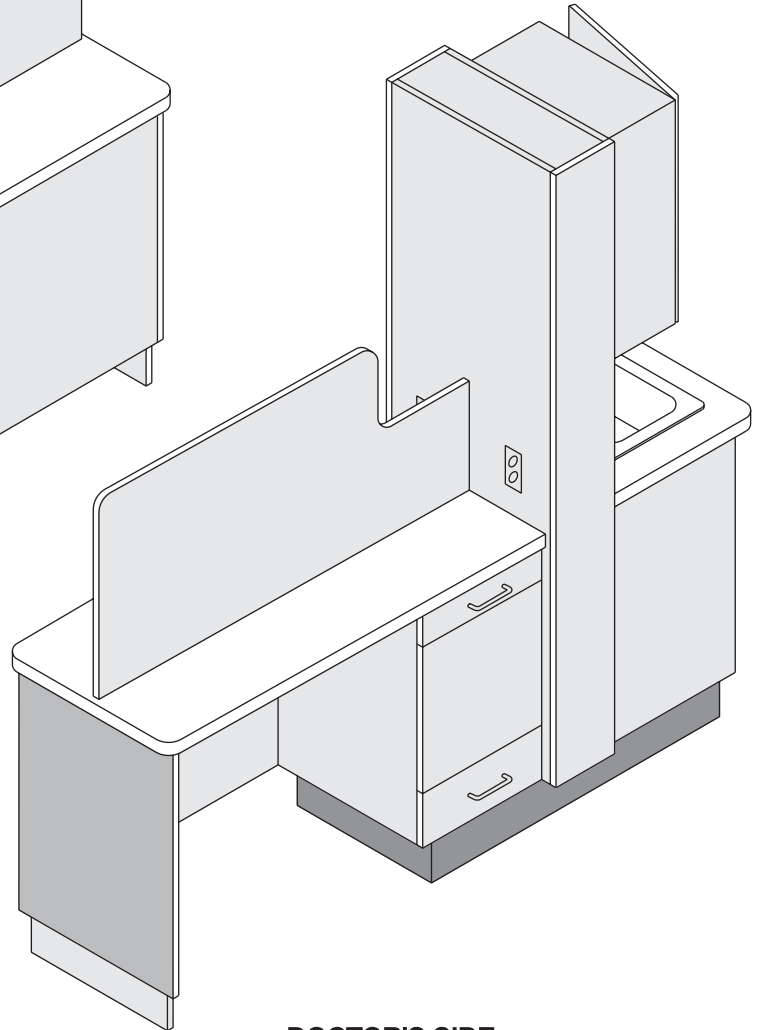
Cabinet Total..... \$



IMM-78



ASSISTANT'S SIDE



DOCTOR'S SIDE

Dimensions

Length:	77 3/4"
Depth:	23 3/4"
Height:	75"
Countertop:	33 1/2"

Features

- *Upper storage cabinet with adjustable shelf and cup/towel dispenser.
- *X-ray column is reinforced with hardwood plywood and adaptable to any X-ray and/or light mount.
- *20 AMP electric outlet.
- *Removable bottom for utility connections.
- *Side delivery compartment with back panel accepts most delivery systems.
- *Doctor side: (2)drawers- (1)3 5/8" and (1)6 1/4"
- *Assistant side: (3)drawers- (1)3 5/8" and (2)6 1/4"
- *Waste compartment with countertop drop and 36-quart waste container.
- *Stainless steel sink and faucet.
- *Separate base with leveling feet.

IMM-78 Mini Island Module \$6,985.00

Select Options

*GD-2	Glove or tissue dispenser	\$102.00
*IMM-78/BCPT	Passthru base cabinet under x-ray	\$1,187.00
*IMM-78/XRS	X-ray shielding	\$587.00
*IMM-78/DWR	Drawer under x-ray	\$321.00

Select Sink/Plumbing

*1-570	15"x15" S/S sink w/S.L faucet	Included
*PS/W	Porcelain sink upgrade (white)	\$441.00
*TMC	Tapmaster foot control	\$472.00
*TMC-D	Tapmaster foot control dual	\$714.00
*SD	Soap dispenser	\$47.00

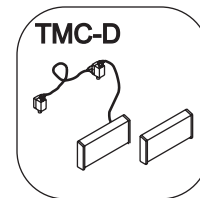
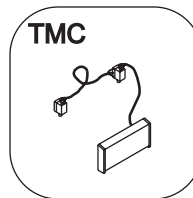
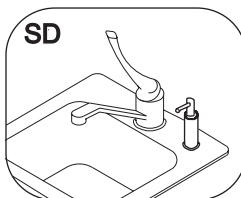
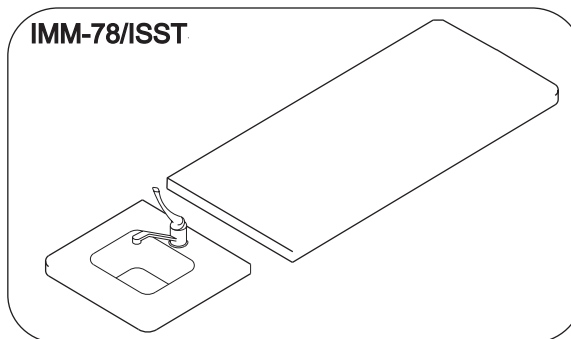
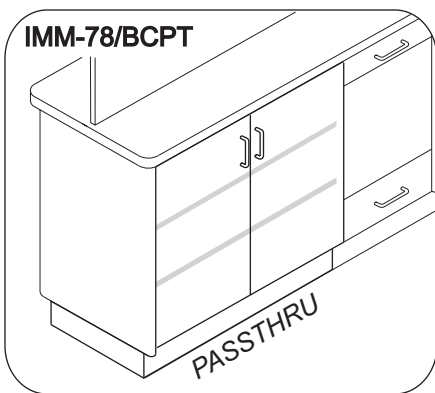
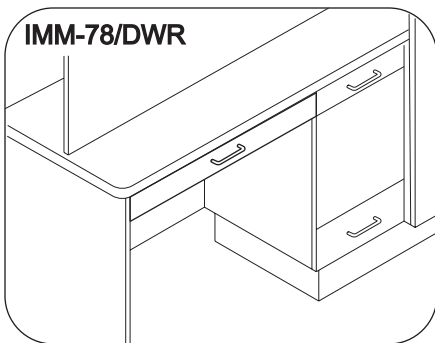
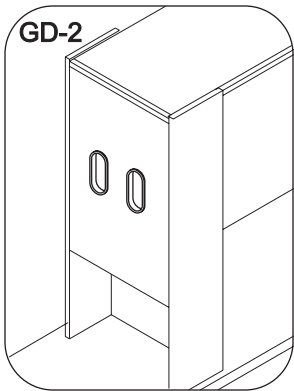
Select Countertop Options

*IMM-78/ISST	Upgrade to solid surface top with integral bowl	\$1,313.00
--------------	---	------------

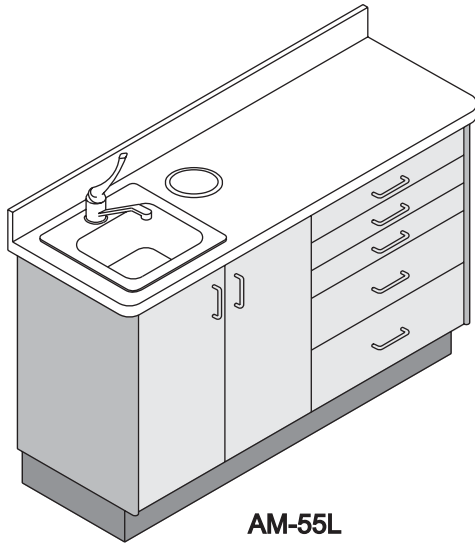
Select Colors

Countertop:
Cabinets:
Accent:
PVC:
Base:
Pulls:
Sink right or left:

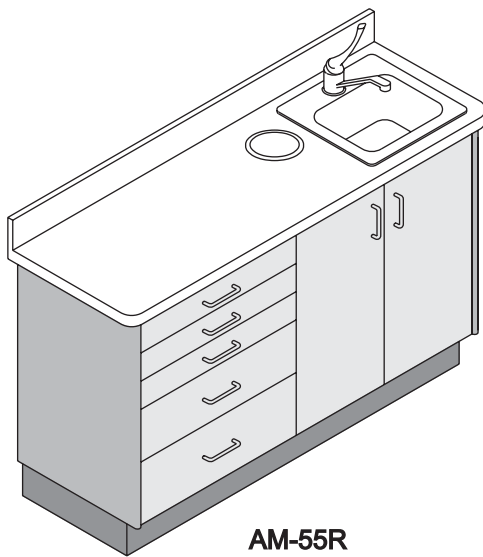
Cabinet Total..... \$



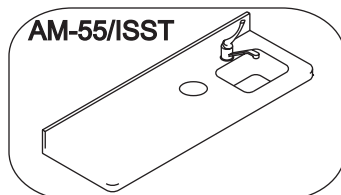
AM-55L, AM-55R



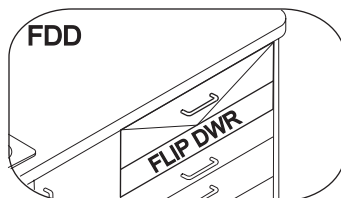
AM-55L



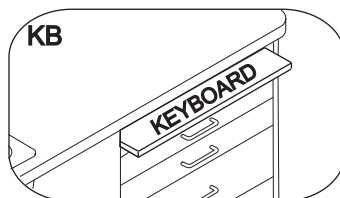
AM-55R



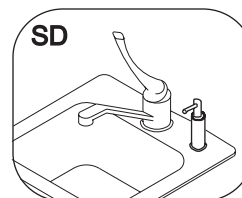
AM-55/ISST



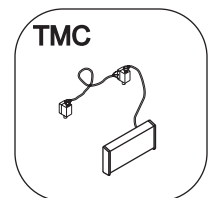
FDD



KB



SD



TMC

AM-55 Assistant's Module \$3,133.00

Select Options

*FDD Flip down drawer \$165.00
 *KB Keyboard (in lieu of top drawer) \$81.00

Select Sink/Plumbing

*1-570 15x15 S/S sink w/S.L faucet Included
 *PS/W Porcelain sink upgrade (white) \$441.00
 *TMC Tapmaster foot control \$472.00
 *SD Soap dispenser \$47.00

Select Countertop Options

* Upgrade to laminate countertop with seamless splash and rolled edge (any color) \$284.00
 *AM-55/ISST Upgrade to solid surface top with integral bowl and waste drop \$1,218.00

Select Colors

Countertop:
 Cabinets:
 Accent:
 PVC:
 Base:
 Pulls:
 Sink right or left:

Cabinet Total.....\$

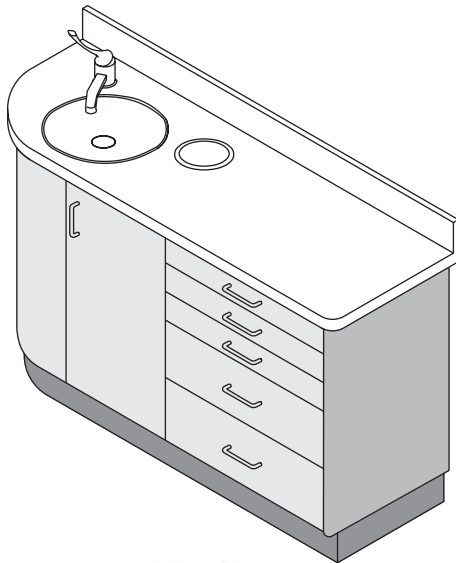
Dimensions

Length: 55"
 Depth: 19"
 Height: 33 1/2"

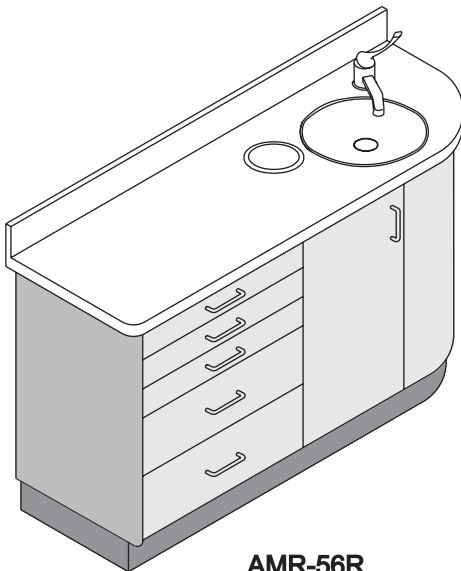
Features

- *Drawer cabinet (standard) (3)3 5/8' (1)7" (1)8 1/4"
- *Waste compartment with 5" molded countertop drop and 36 quart waste container.
- *Stainless steel sink and faucet.
- *Removable accent panels.
- *Separate base with leveling feet.
- *Laminated top with self edge and loose splash.

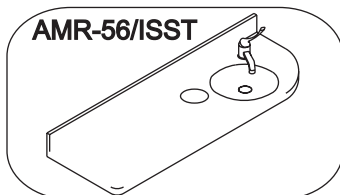
AMR-56L, AMR-56R



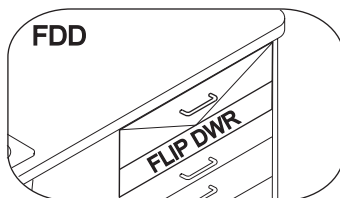
AMR-56L



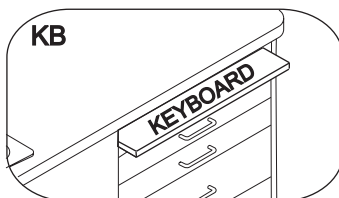
AMR-56R



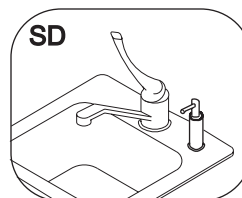
AMR-56/ISST



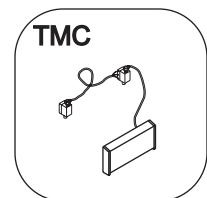
FDD



KB



SD



TMC

AMR-56 Assistant's Module with Round End \$3,588.00

Select Options

*FDD Flip down drawer \$165.00
 *KB Keyboard (in lieu of top drawer) \$81.00

Select Sink/Plumbing

*D1-13 13" Round sink w/S.L faucet Included
 *PS/W Porcelain sink upgrade (white) \$441.00
 *TMC Tapmaster foot control \$472.00
 *SD Soap dispenser \$47.00

Select Countertop Options

*AMR-56/ISST Upgrade to solid surface top with integral bowl and waste drop \$1,189.00

Select Colors

Countertop:
 Cabinets:
 Accent:
 PVC:
 Base:
 Pulls:
 Sink right or left:

Cabinet Total..... \$

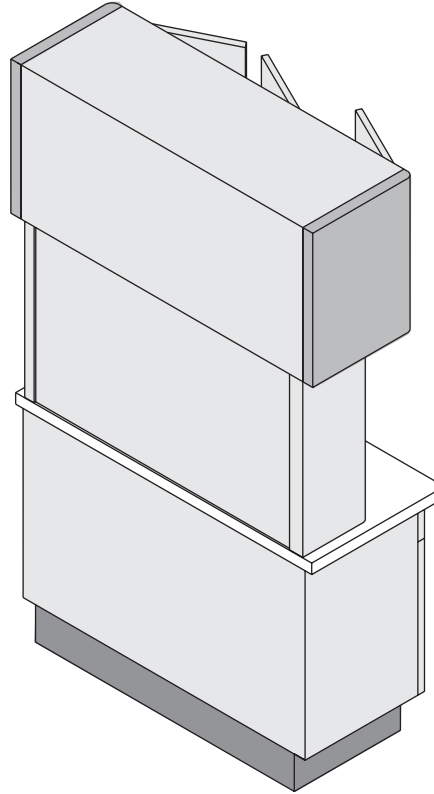
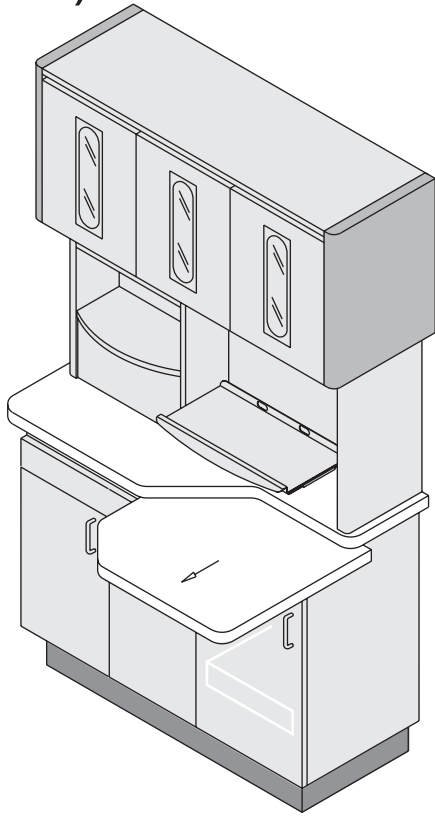
Dimensions

Length: 56"
 Depth: 19"
 Height: 33 1/2"

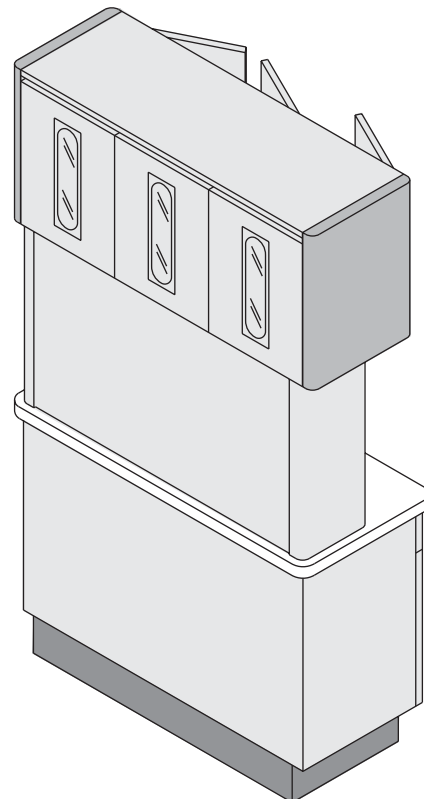
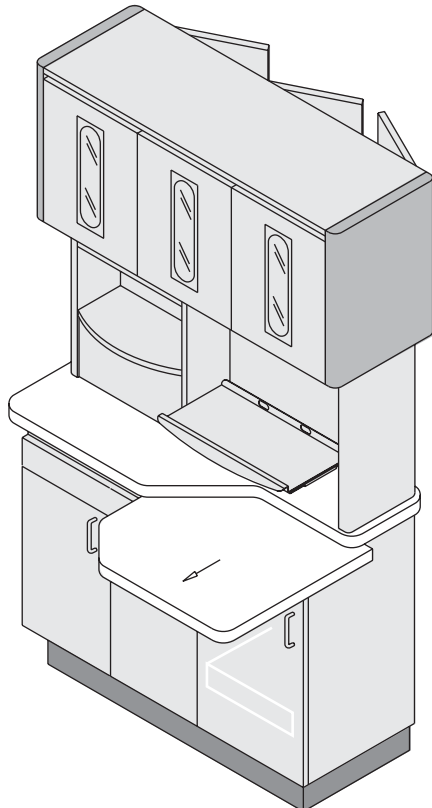
Features

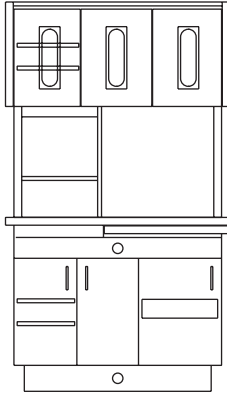
- *Drawer cabinet (standard) (3)3 5/8' (1)7" (1)8 1/4"
- *Waste compartment with 5" molded countertop drop and 36 quart waste container.
- *Stainless steel sink and faucet.
- *Removable accent panels.
- *Separate base with leveling feet.
- *Laminated top with self edge and loose splash.

12T-S(Standard)



12T-SPT(Passthru)





12T-S 12 O'clock Treatment Center (Standard) \$5,510.00

12T-SPT 12 O'clock Treatment Center (Passthru) \$5,840.00

Select Options

- *AVP Assistant's vacuum package \$1,078.00
- *WBP Water bottle pullout \$470.00
- *12T-S/XRS X-ray shielding \$400.00
- *CO/COMM Cutout for Communication panel \$55.00
- *DRW/DRS Drawers on doctor's side (per drw) \$111.00
- *SDO Side door opening \$407.00

Select Countertop Options

- *Laminate countertop Included
- *12T-S/ISST Upgrade to solid surface top \$715.00

- Select Colors**
- Countertop:
 - Cabinets:
 - Accent:
 - PVC:
 - Base:
 - Pulls:

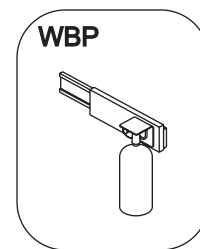
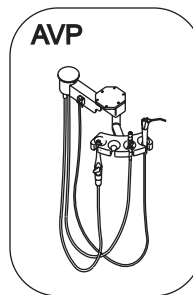
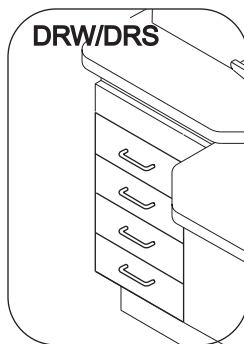
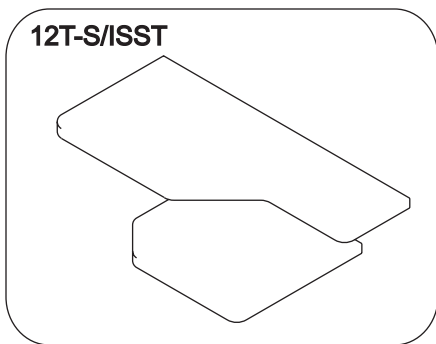
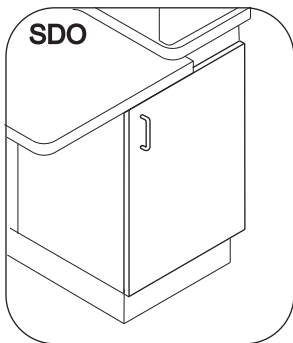
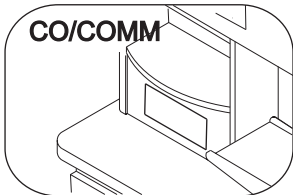
Cabinet Total..... \$

Dimensions

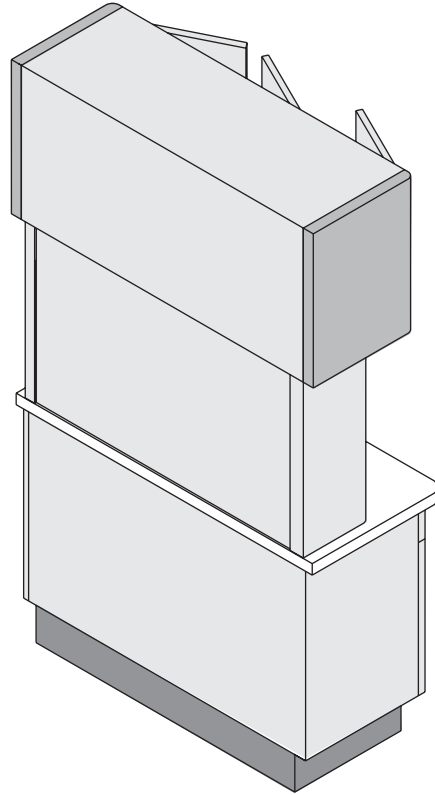
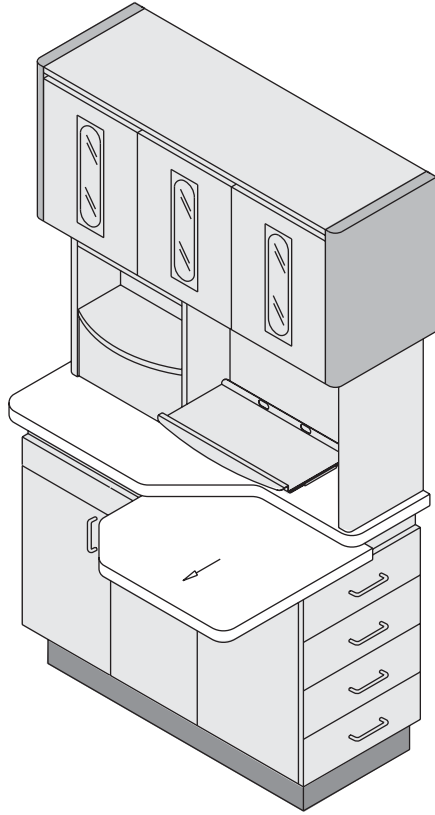
- Length: 43 1/4"
- Depth: 29"
- Height: 75"
- Countertop: 33 1/2"

Features

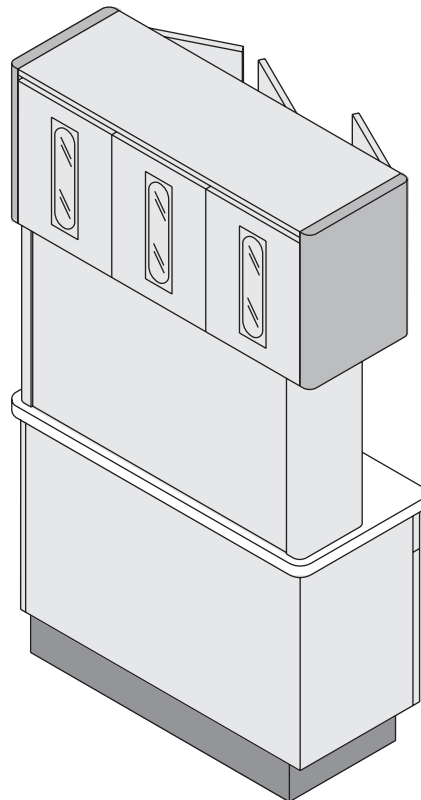
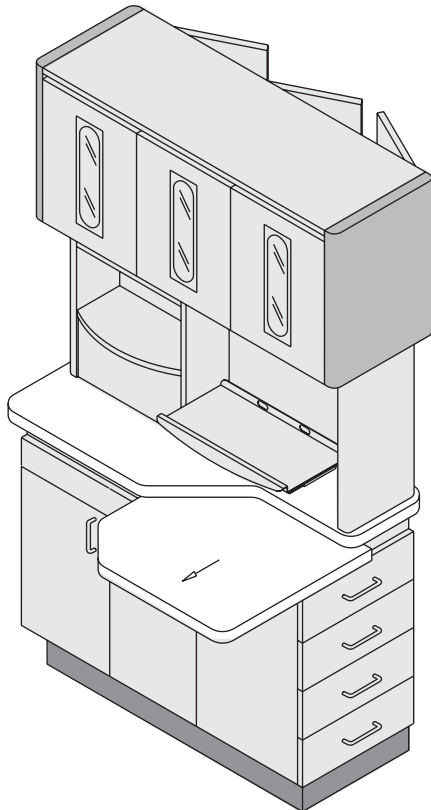
- *One storage cabinet with adjustable shelves (Dr's side).
- *One storage cabinet with pullout drawer (Asst's side)
- *Upper cabinet with two fully adjustable tub and tray racks, two adjustable shelves, and glass door inserts. (Accommodates all manufacturers tub sizes)
- *Removable bottom for utility connections.
- *Pullout work surface extends from 29" to 36"
- *12" task light and 20 amp outlet.
- *Separate base with leveling feet.

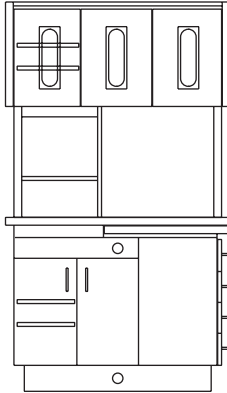


12T-SD(Standard)



12T-SDPT(Pass-thru)





12T-SD 12 O'clock Treatment Center with side drawers (standard) \$5,990.00

12T-SDPT 12 O'clock Treatment Center with side drawers (passthru) \$6,327.00

Select Options

*AVP	Assistant's vacuum package	\$1,078.00
*WBP	Water bottle pullout	\$470.00
*12T-SD/XRS	X-ray shielding	\$400.00
*CO/COMM	Cutout for Communication panel	\$55.00
*DRW/DRS	Drawers on doctor's side (per drw)	\$111.00

Select Countertop Options

*Laminate countertop	Included
*12T-SD/ISST	Upgrade to solid surface top \$715.00

Select Colors Countertop:
Cabinets:
Accent:
PVC:
Base:
Pulls:

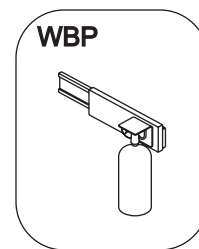
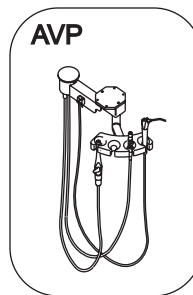
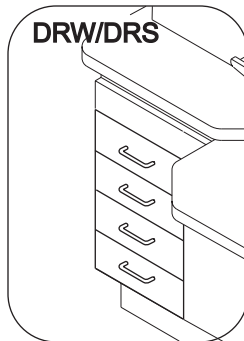
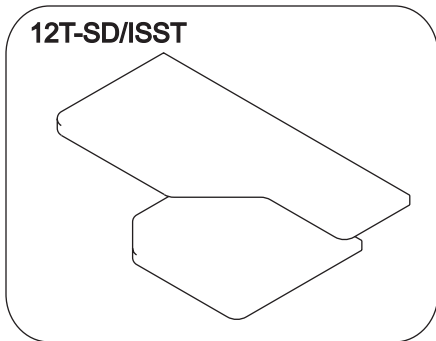
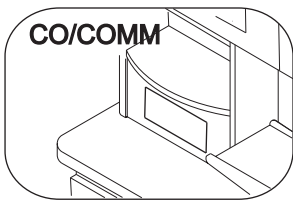
Cabinet Total..... \$

Dimensions

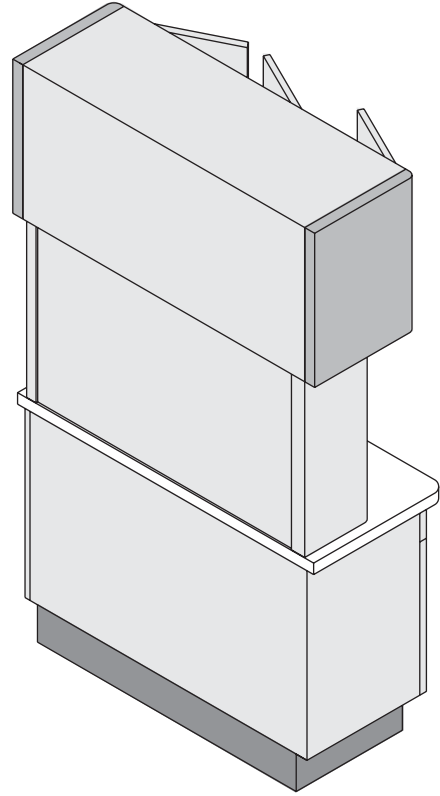
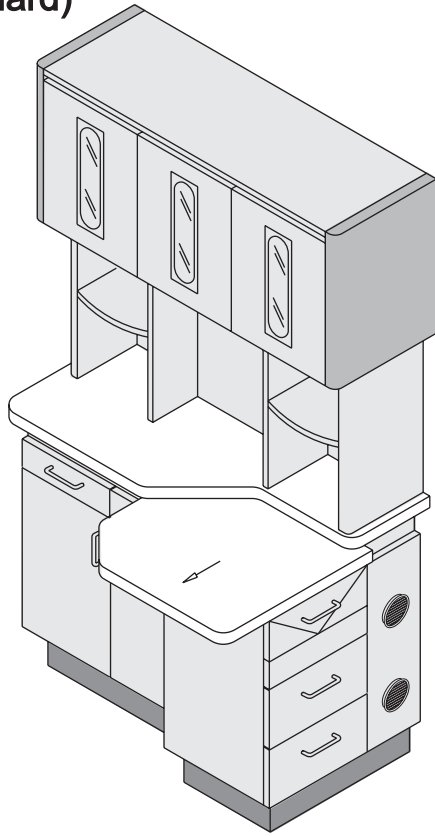
Length: 43 1/4"
Depth: 29"
Height: 75"
Countertop: 33 1/2"

Features

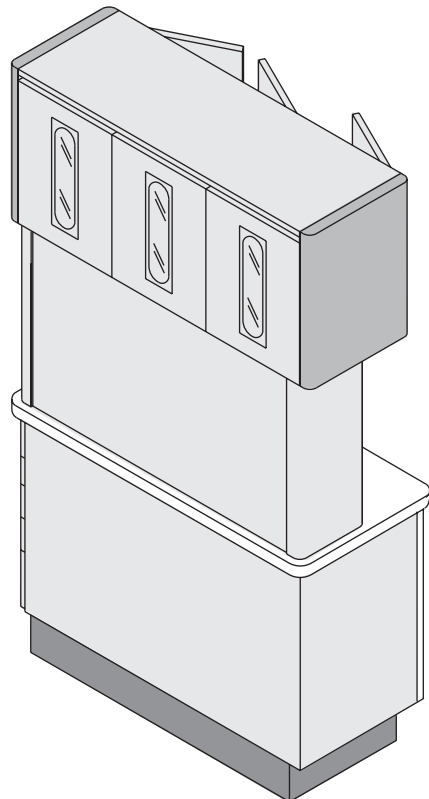
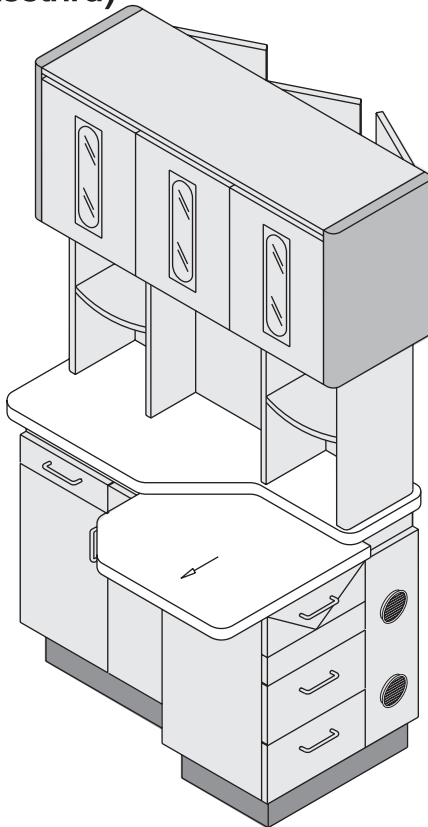
- *One storage cabinet with adjustable shelves (Dr's side)
- *Side cabinet with four drawers (Asst's side)
- *Upper cabinet with two fully adjustable tub and tray racks, two adjustable, and glass door inserts. (Accommodates all manufacturers tub sizes)
- *Removable bottom for utility connections.
- *Pullout work surface extends from 29" to 36"
- *12" task light and 20 amp outlet.
- *Separate base with leveling feet.

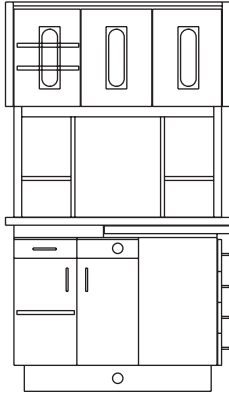


12T-S-2(Standard)



12T-S-2PT(Passthru)





12T-S-2 12 O'clock Treatment Center with Computer Station (standard) \$6,422.00

12T-S-2PT 12 O'clock Treatment Center with Computer Station (passthru) \$6,759.00

Select Options

- *AVP Assistant's vacuum package \$1,078.00
- *WBP Water bottle pullout \$470.00
- *12T-S-2/XRS X-ray shielding \$400.00
- *CO/COMM Cutout for Communication panel \$55.00
- *DRW/DRS Drawers on doctors side (per drw) \$111.00

Select Countertop Options

- *Laminate countertop Included
- *12T-S-2/ISST Upgrade to solid surface top \$741.00

Select Colors

- Countertop:
- Cabinets:
- Accent:
- PVC:
- Base:
- Pulls:

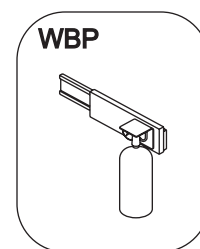
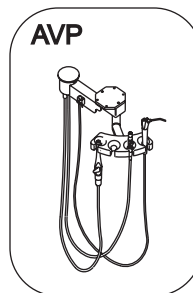
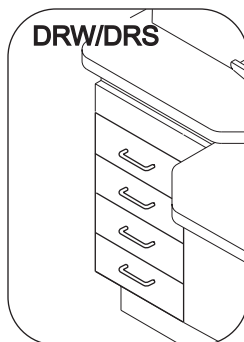
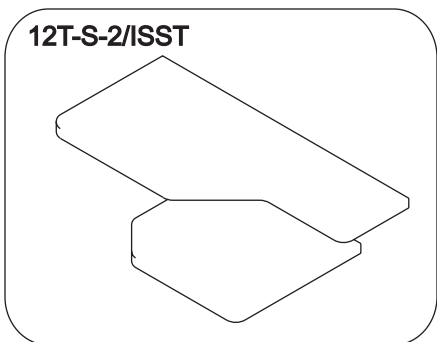
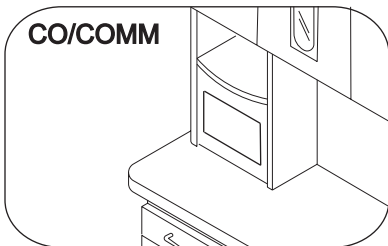
Cabinet Total..... \$

Dimensions

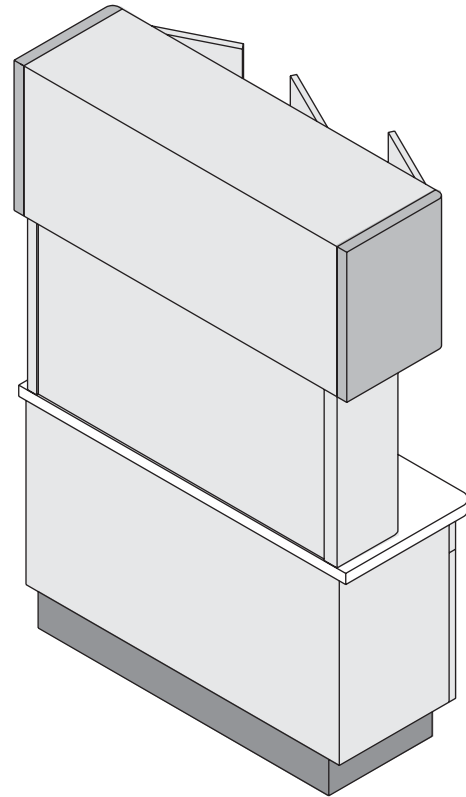
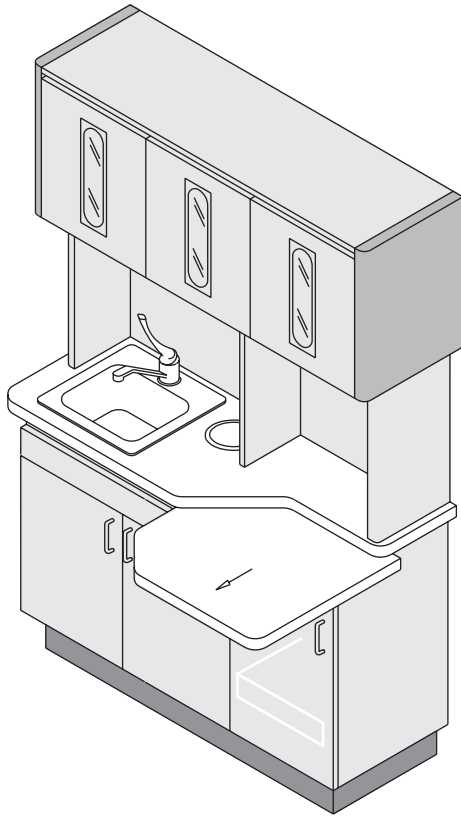
- Length: 43 1/4"
- Depth: 29"
- Height: 75"
- Countertop: 33 1/2"

Features

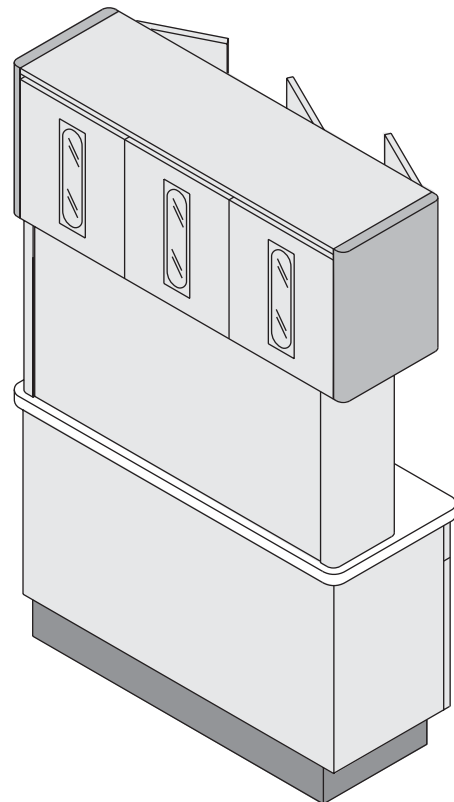
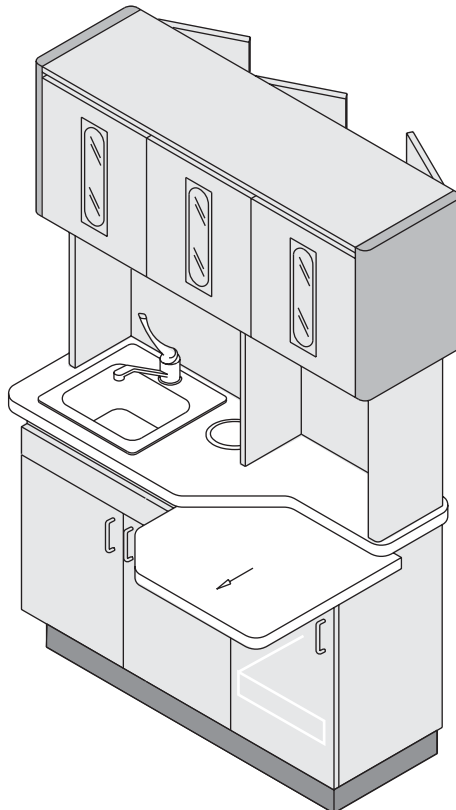
- *One storage cabinet with adjustable shelves.
- *One storage cabinet with pullout drawer.
- *Upper cabinet with two fully adjustable tub and tray racks, two adjustable shelves, and glass door inserts. (Accommodates all manufacturers tub sizes.)
- *Removable bottom for utility connections.
- *Pullout work surface extends from 29" to 36".
- *12" task light and 20 amp outlet.
- *Separate base with leveling feet.

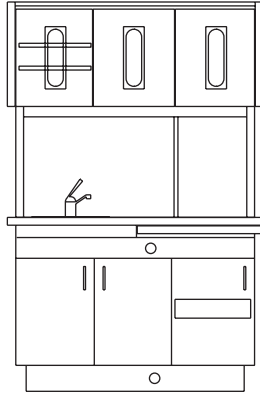


12T-SK(Standard)



12T-SKPT(Passthru)





12T-SK 12 O'clock Treatment Center with Sink (standard) \$6,680.00

12T-SKPT 12 O'clock Treatment Center with Sink (passthru) \$7,017.00

Select Options

- *AVP Assistant's vacuum package \$1,078.00
- *WBP Water bottle pullout \$470.00
- *12T-SK/XRS X-ray shielding \$400.00
- *SDO Side door opening \$55.00
- *SDRW4 Side drawers (4) \$607.00
- *TMC Tapmaster foot control \$472.00
- *SFLIP Side flip drawer \$165.00
- *SD Soap dispenser (each) \$47.00

Select Countertop Options

- *Laminate countertop Included
- *12T-SK/ISST Upgrade to solid surface top with integral bowl \$1,474.00

Select Colors

- Countertop:
- Cabinets:
- Accent:
- PVC:
- Base:
- Pulls:

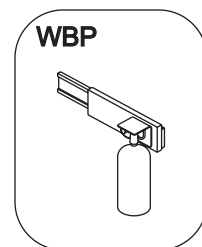
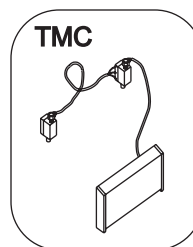
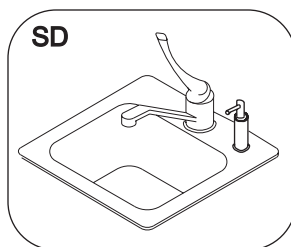
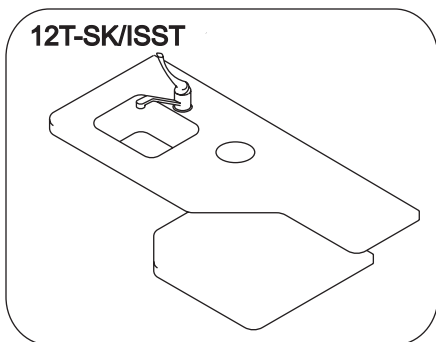
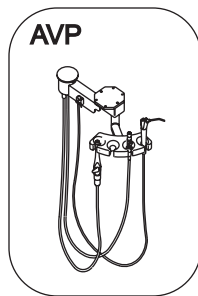
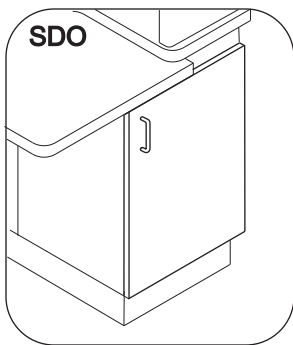
Cabinet Total..... \$

Dimensions

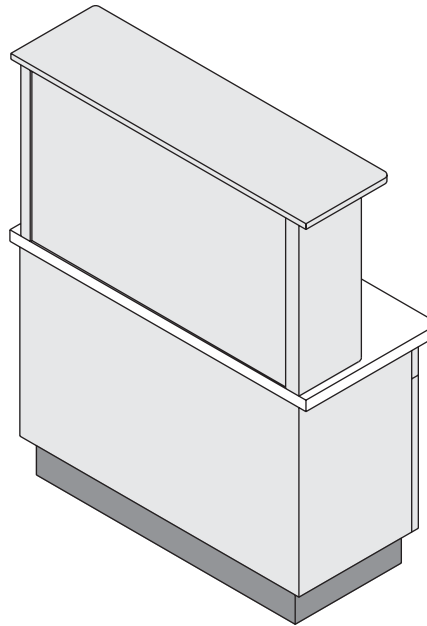
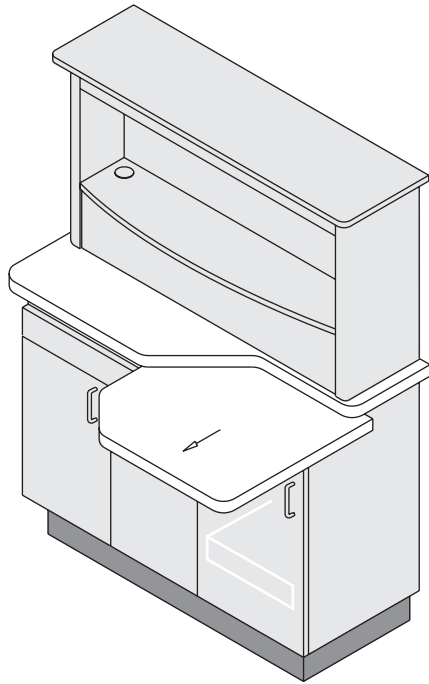
- Length: 49 1/4"
- Depth: 29"
- Height: 75"
- Countertop: 33 1/2"

Features

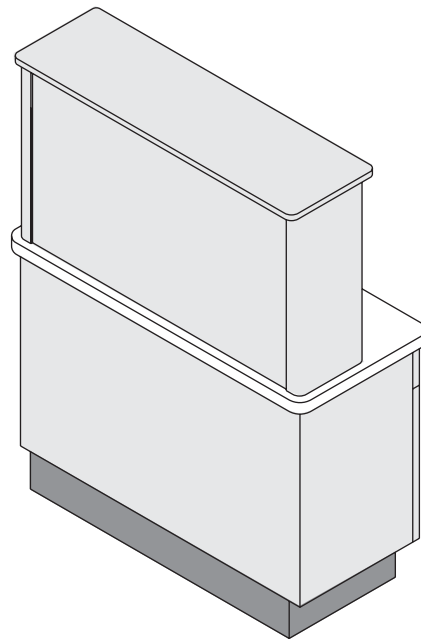
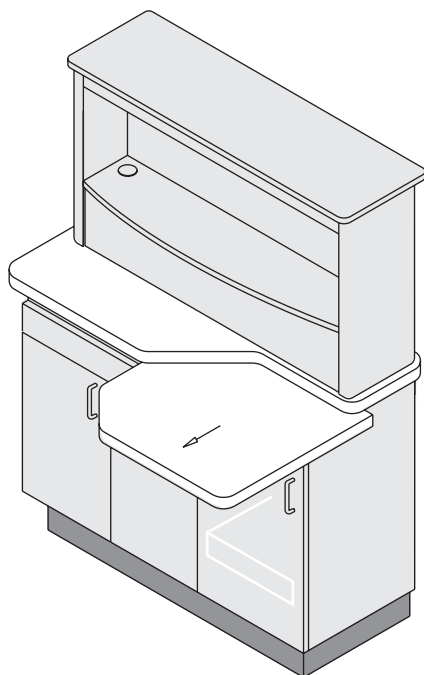
- *One sink cabinet with 36qt waste container.
- *15"x 15"x 6" stainless steel sink with single lever faucet.
- *One storage cabinet with pullout drawer.
- *Upper cabinet with two fully adjustable tub and tray racks, two adjustable shelves, and glass door inserts. (Accommodates all manufacturers tub sizes)
- *Removable bottom for utility connections.
- *Pullout work surface extends from 29" to 36"
- *12" task light and 20 amp outlet.
- *Separate base with leveling feet.

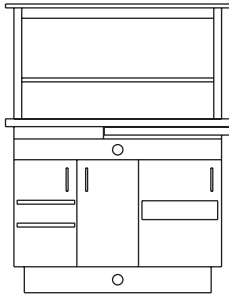


12T-L(Standard)



12T-LFB(Finish back)





12T-L 12 O'clock Treatment Center Lower Module (standard) \$4,595.00

12T-LFB 12 O'clock Treatment Center Lower Module (finish back) \$4,803.00

Select Options

- *AVP Assistant's vacuum package \$1,078.00
- *WBP Water bottle pullout \$470.00
- *12T-L/XRS X-ray shielding \$400.00
- *CO/COMM Cutout for communication panel \$55.00
- *DRW/DRS Drawers on doctor's side (per drw) \$111.00
- *SDO Side door opening \$407.00
- *SDRW4 Side drawers (4) \$607.00
- *SFLIP Side flip drawer \$165.00

Select Countertop Options

- *Laminate countertop Included
- *12T-L/ISST Upgrade to solid surface top \$715.00

Select Colors

- Countertop:
- Cabinets:
- Accent:
- PVC:
- Base:
- Pulls:

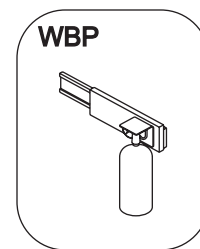
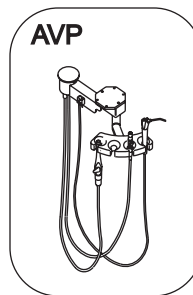
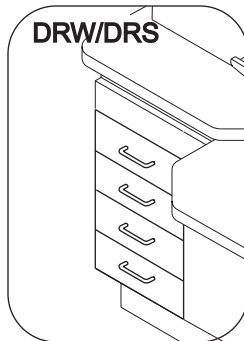
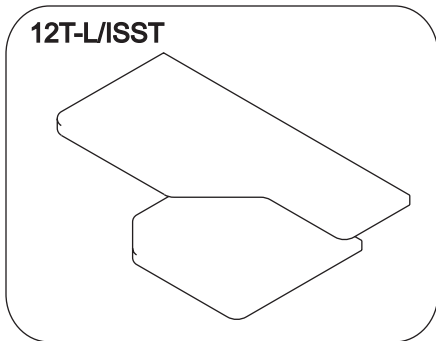
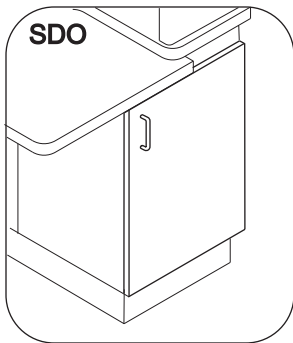
Cabinet Total..... \$

Dimensions

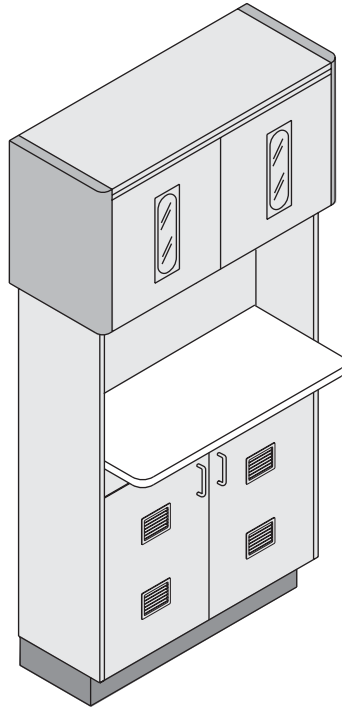
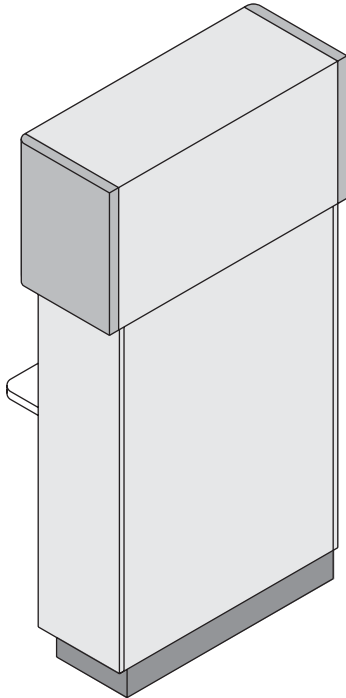
- Width: 43 1/4"
- Height: 56 5/8"
- Countertop Ht. 33 1/2"
- Depth: 29"

Features

- *One storage cabinet with adjustable shelves. (Dr's side)
- *One storage cabinet with pullout shelves. (Asst's side)
- *Removable bottom for utility connections.
- *Pullout work surface extends from 29" to 36".
- *30" Task light and 20 amp outlets.
- *Separate base with leveling feet.



12B-37(Standard)



12B-37 12 O'clock Basic \$4,263.00

12B-37PT 12 O'clock Basic (Pass-thru) \$4,600.00

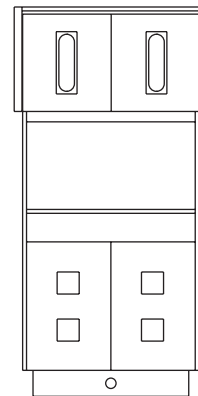
Select Options

*12B-37/XRS X-ray shielding \$400.00

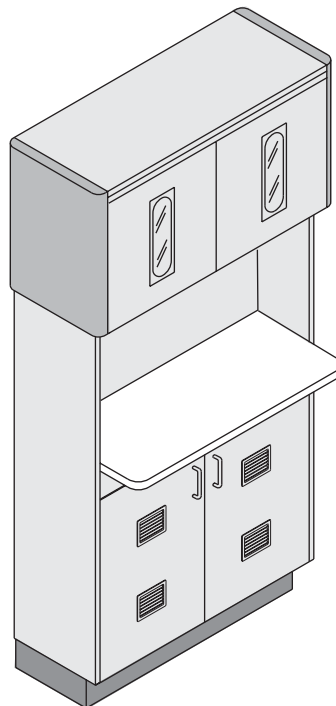
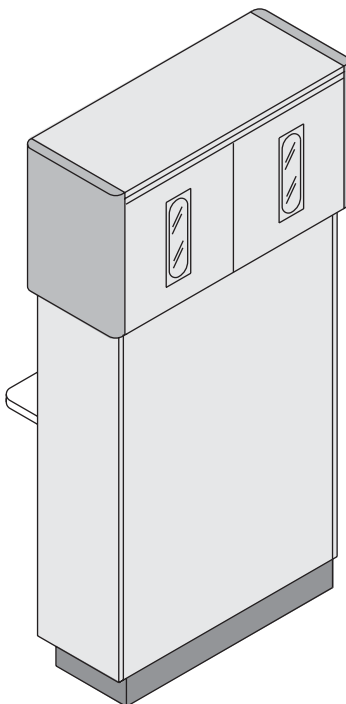
Select Colors

Countertop:
Cabinets:
Accent:
PVC:
Base:
Pulls:

Cabinet Total..... \$



12B-37PT(Passthru)



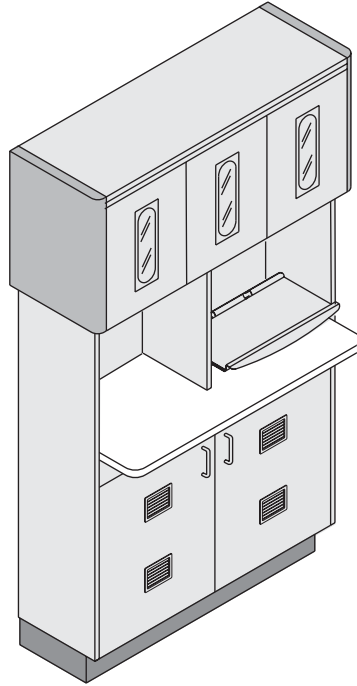
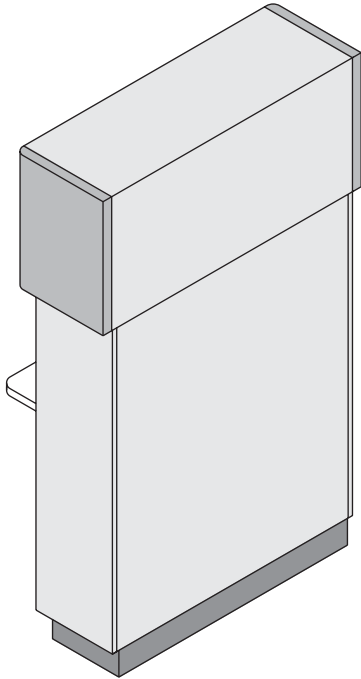
Dimensions

Length: 37 1/4"
Depth upper: 15 1/4"
Depth lower: 11"
Height: 75"
Countertop: 36"

Features

- *Upper cabinet with two fully adjustable tub and tray racks, and glass door inserts. (Accommodates all manufacturers tub sizes)
- *Lower CPU cabinet with vented doors.
- *Removable bottom for utility connections.
- *Task lighting and 20 amp outlets.
- *Separate base with leveling feet.

12B-43(Standard)



12B-43 12 O'clock Basic \$4,767.00

12B-43PT 12 O'clock Basic (Pass-thru) \$5,105.00

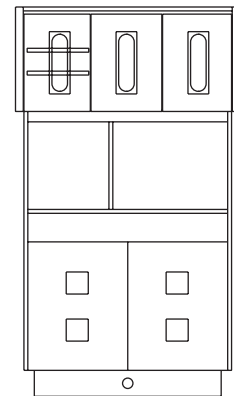
Select Options

*12B-43/XRS X-ray shielding \$400.00

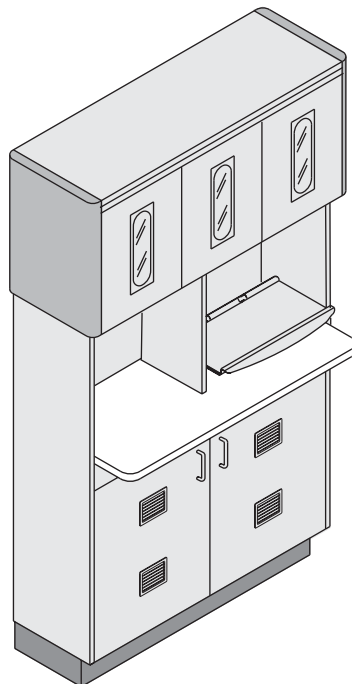
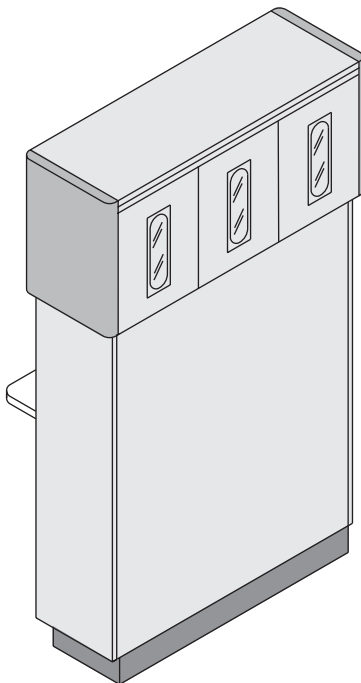
Select Colors

Countertop:
Cabinets:
Accent:
PVC:
Base:
Pulls:

Cabinet Total..... \$



12B-43PT(Passthru)



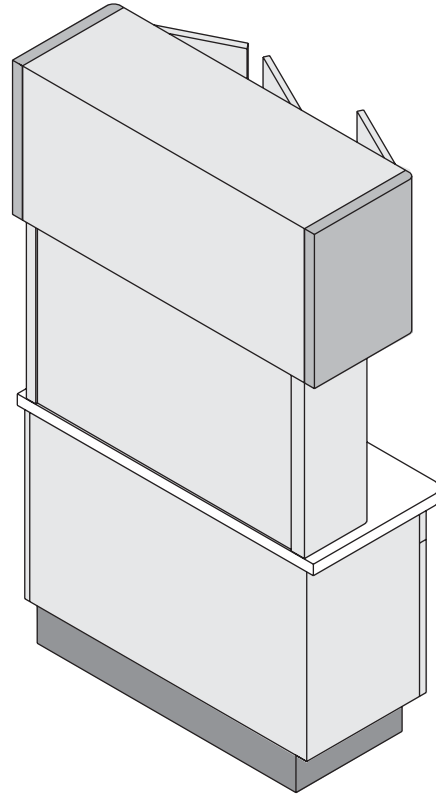
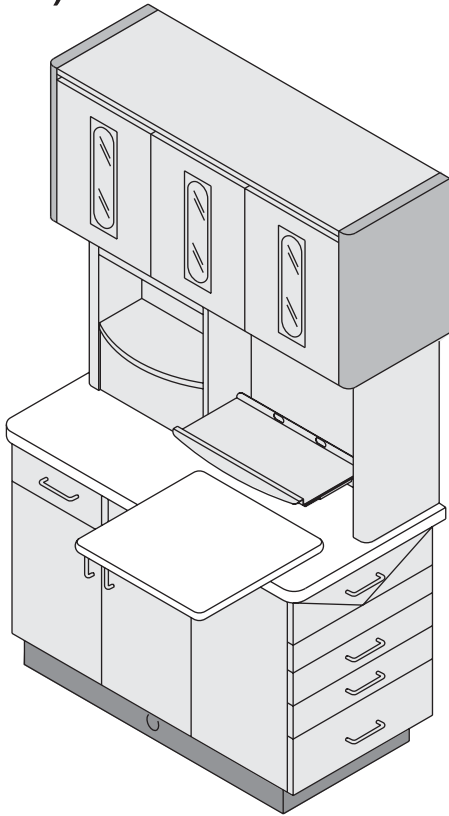
Dimensions

Length: 43 1/4"
Depth upper: 15 1/4"
Depth lower: 11"
Height: 75"
Countertop: 36"

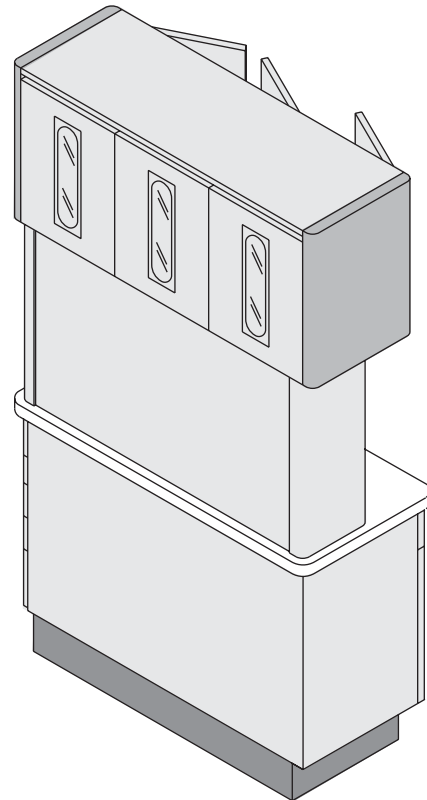
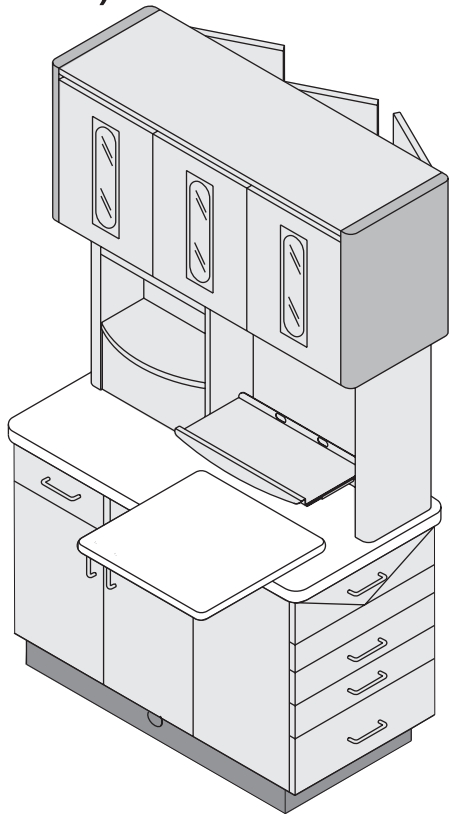
Features

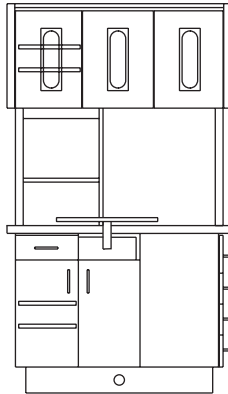
- *Upper cabinet with two fully adjustable tub and tray racks, and glass door inserts. (Accommodates all manufacturers tub sizes)
- *Lower CPU cabinet with vented doors.
- *Removable bottom for utility connections.
- *Task lighting and 20 amp outlets.
- *Separate base with leveling feet.

12T-HT(Standard)



12T-HTPT(Passthru)





12T-HT 12 O'clock High-Tech Unit (standard) \$6,022.00

12T-HTPT 12 O'clock High-Tech Unit (Pass-thru) \$6,359.00

Select Options

*AVP Assistant's vacuum package \$1,078.00
 *WBP Water bottle pullout \$470.00
 *12T-HT/XRS X-ray shielding \$400.00
 *CO/COMM Cutout for communication panel \$55.00
 *LRU Left/Right unit with vacuum \$2,875.00

Select Countertop Options

*Laminate countertop Included
 *12T-HT/ISST Upgrade to solid surface top \$799.00

Select Colors

Countertop:
 Cabinets:
 Accent:
 PVC:
 Base:
 Pulls:

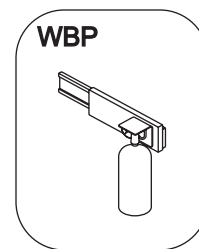
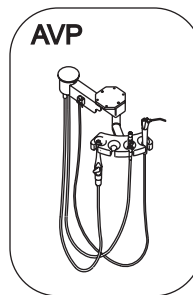
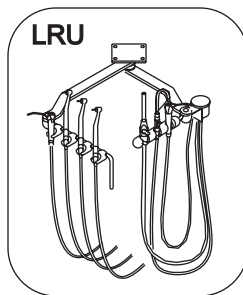
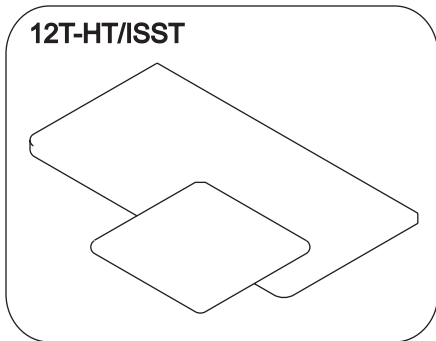
Cabinet Total..... \$

Dimensions

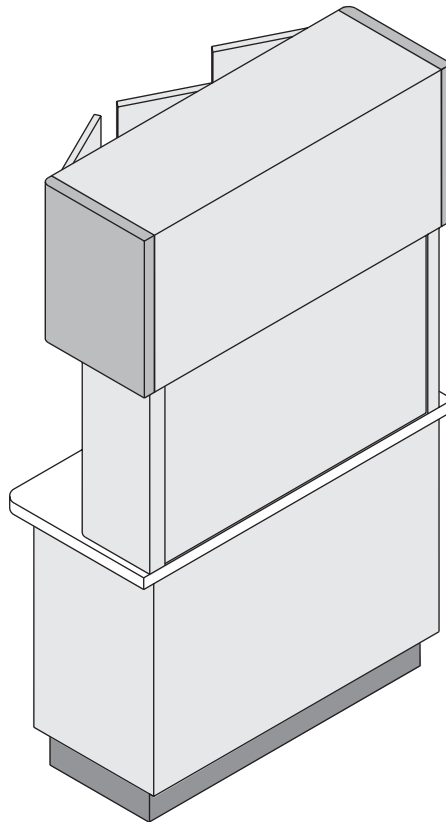
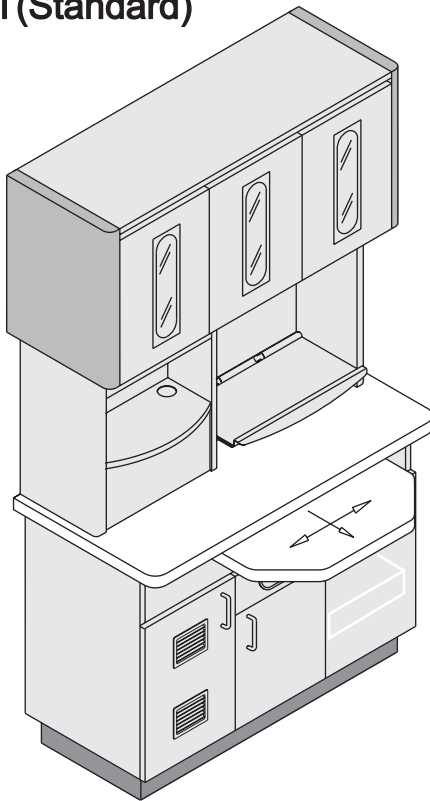
Width: 43 1/4"
 Height: 75"
 Countertop Ht: 32 1/4"
 Depth: 22"

Features

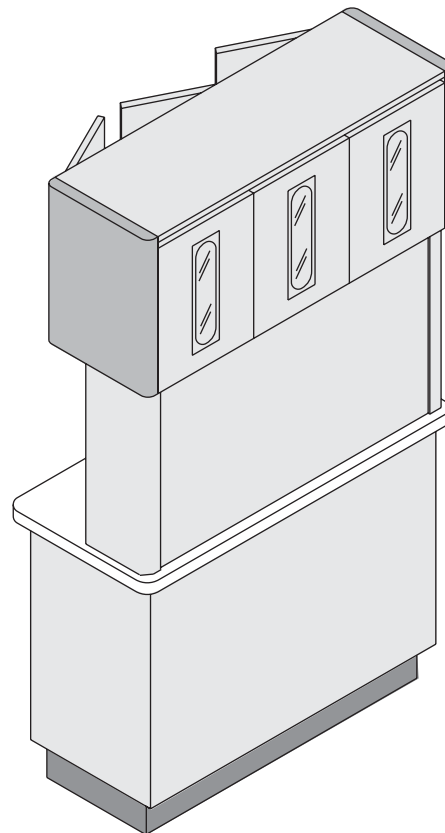
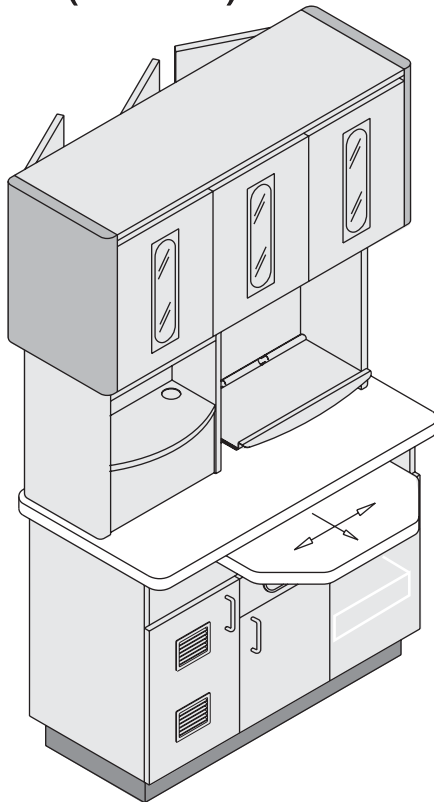
- *Upper cabinet with fully adjustable tub/tray racks, Two adjustable shelves, and glass door inserts. (Accommodates all manufacturers tub sizes.)
- *Computer monitor compartment and adjustable keyboard arm.
- *Small equipment compartment.
- *Panel for communications panel cutout.
- *Cabinet with slid-out shelf for CPU.
- *Cabinet for clean water system/nitrous.
- *Task lighting and 20amp outlet.
- *Separate base with leveling feet.

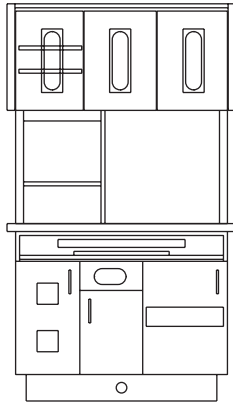


12T-HTST(Standard)



12T-HTST-PT(Passthru)





12T-HTST 12 O'clock High-Tech Unit with sliding top (standard) \$5,616.00

12T-HTSTPT 12 O'clock High-Tech Unit With sliding top (Pass-thru) \$5,933.00

Select Options

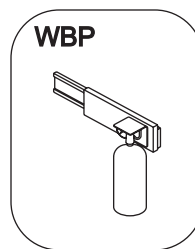
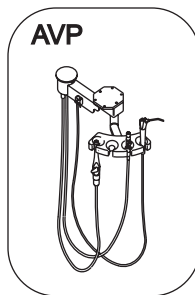
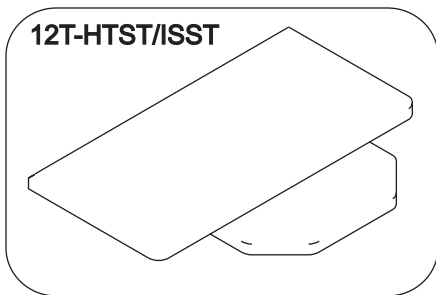
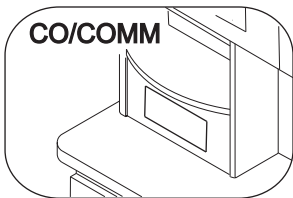
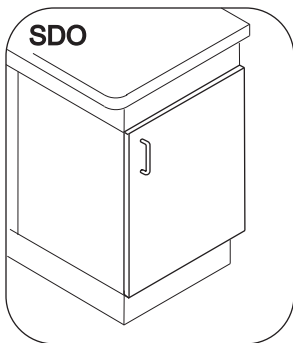
- *AVP Assistant's vacuum package \$1,078.00
- *WBP Water bottle pullout \$470.00
- *12T-HTST/XRS X-ray shielding \$400.00
- *SDO Side door opening \$407.00
- *SDRW4 Side drawers (4) \$607.00
- *SFLIP Side flip drawer. \$165.00

Select Countertop Options

- *Laminate countertop Included
- *12T-HTST/ISST Upgrade to solid surface top \$719.00

Select Colors Countertop:
Cabinets:
Accent:
PVC:
Base:
Pulls:

Cabinet Total..... \$



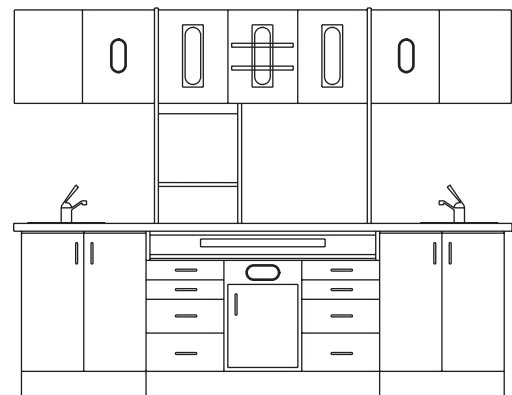
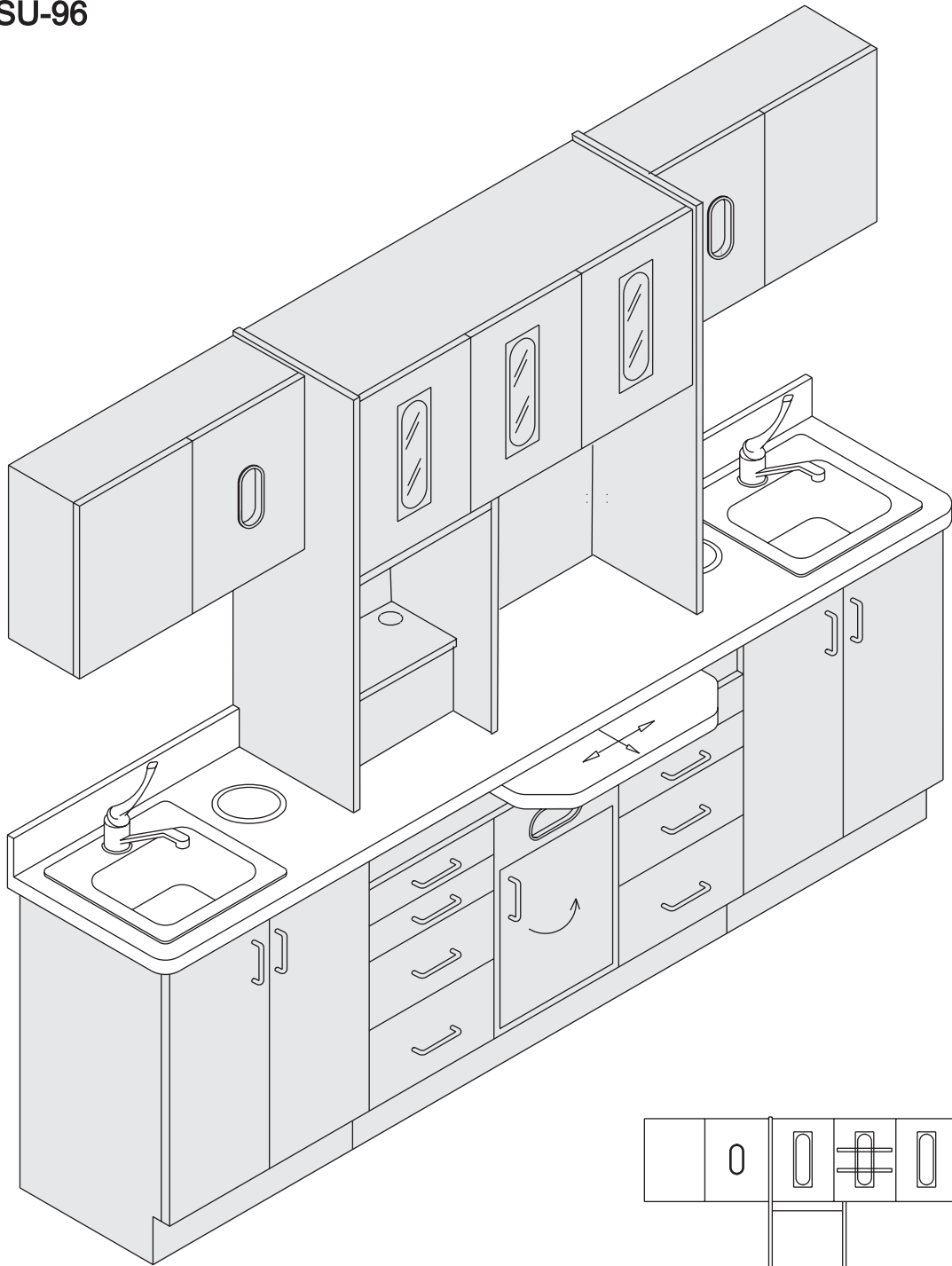
Dimensions

Width: 43 1/4"
Height: 75"
Countertop Ht. 32 1/4"
Depth: 22"

Features

- *Upper cabinet with fully adjustable tub/tray racks, Two adjustable shelves, and glass door inserts. (Accommodates all manufacturers tub sizes.)
- *Cabinet for CPU storage.
- *Small equipment compartment.
- *Panel for communications panel cutout.
- *Cabinet for clean water system/nitrous.
- *Task lighting and 20amp outlet.
- *Separate base with leveling feet.

RSU-96



RSU-96 12 O'clock Rear Support Unit \$11,599.00

Select Options

*AVP	Assistant's vacuum package	\$1,078.00
*WBP	Water bottle pullout	\$470.00
*CO/COMM	Cutout for communication panel	\$55.00
*TMC	Tapmaster foot control (each)	\$472.00
*SD	Soap dispenser (each)	\$47.00

Select Countertop Options

*Laminate countertop	Included
*RSU-96/ISST	Upgrade to solid surface top with integral bowls and waste drops \$2,615.00

Select Colors Countertop:
Cabinets:
Accent:
PVC:
Base:
Pulls:

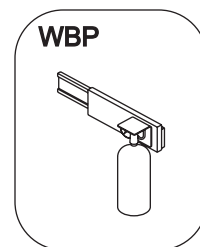
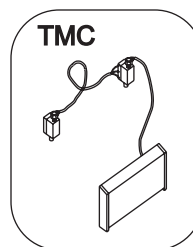
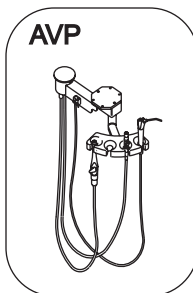
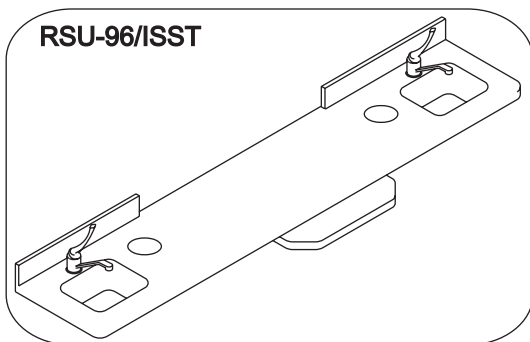
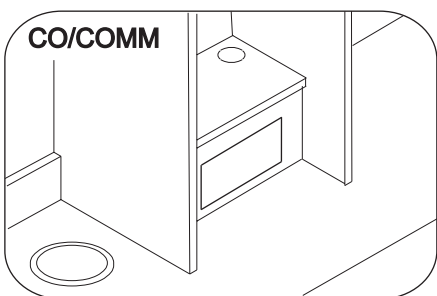
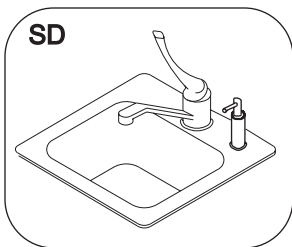
Cabinet Total..... \$

Dimensions

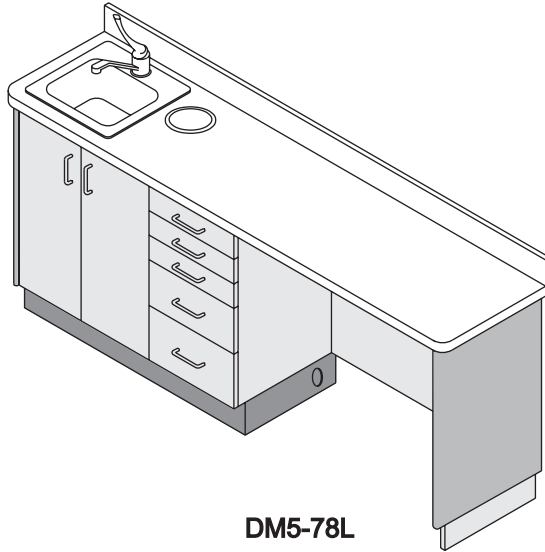
Width:	96"
Height:	75"
Countertop Ht.	33 1/2"
Depth:	23"

Features

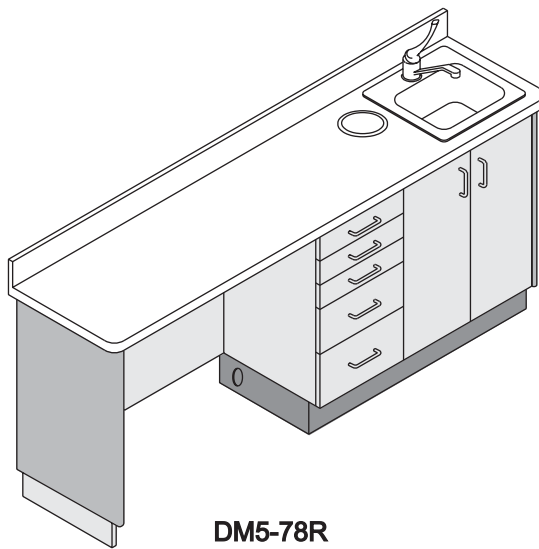
- *12 O'clock treatment center and two wash stations.
- *12 O'clock upper cabinet with fully adjustable tub/tray racks, two adjustable shelves, and glass door inserts. (Accommodates all manufacturer's tub sizes.)
- *One 15" Nitrous cabinet with retracting door.
- *Two upper cabinets with glove and cup/towel dispensers.
- *Two base cabinets with four drawers each.
- *Sliding/pullout work surface.



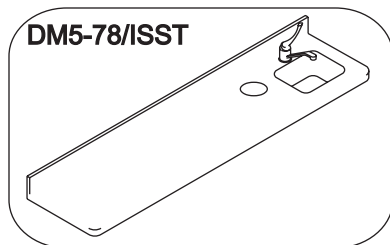
DM5-78L, DM5-78R



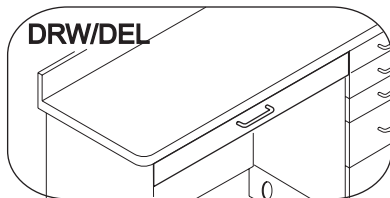
DM5-78L



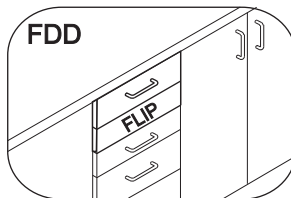
DM5-78R



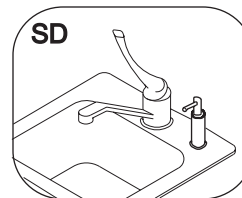
DM5-78/ISST



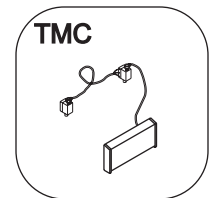
DRW/DEL



FDD



SD



TMC

DM5-78 Doctor's Module \$3,350.00

Select Options

- *FDD Flip down drawer \$165.00
- *KB Keyboard (in lieu of drawer) \$81.00
- *DRW/DEL Drawer over delivery system \$371.00

Select Sink/Plumbing

- *1-570 15"x15" S/S sink w/S.L faucet Included
- *PS/W Porcelain sink upgrade (white) \$441.00
- *TMC Tapmaster foot control \$472.00
- *SD Soap dispenser \$47.00

Select Countertop Options

- * Upgrade to laminate countertop with seamless splash and rolled edge (any color) \$284.00
- *DM5-78/ISST Upgrade to solid surface top with integral bowl and waste drop \$1,738.00

Select Colors

- Countertop:
- Cabinets:
- Accent:
- PVC:
- Base:
- Pulls:
- Sink right or left:

Cabinet Total..... \$

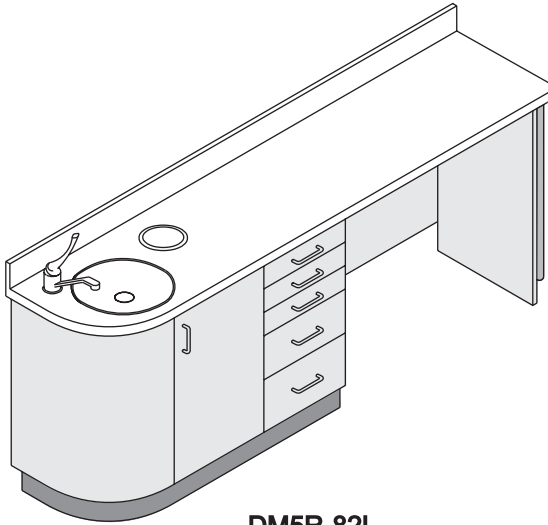
Dimensions

- Length: 78"
- Depth: 19"
- Height: 33 1/2"
- Open area: 34"

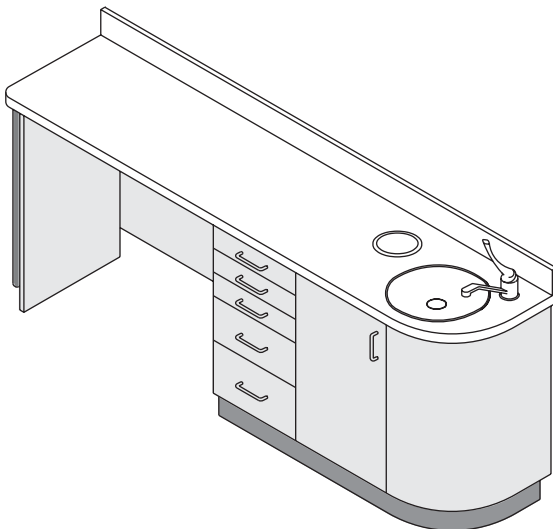
Features

- *Drawer cabinet (standard) (3)3 5/8' (1)7" (1)8 1/4"
- *Waste compartment with 5" molded countertop drop and 36 quart waste container.
- *Reinforced rear panel for delivery system mounting.
- *Removable bottom for utility connections.
- *Stainless steel sink and faucet.
- *Removable accent panels.
- *Separate base with leveling feet.
- *Laminated top with self edge and loose splash.

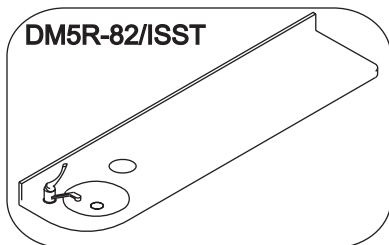
DM5R-82L, DM5R-82R



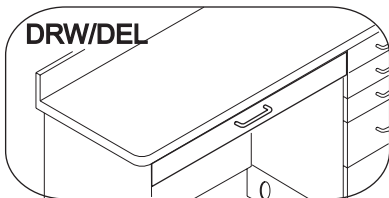
DM5R-82L



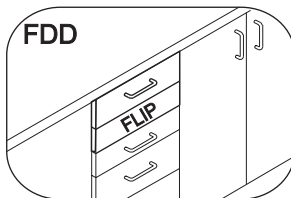
DM5R-82R



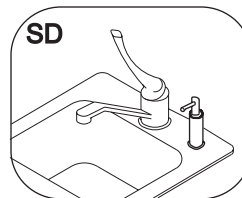
DM5R-82/ISST



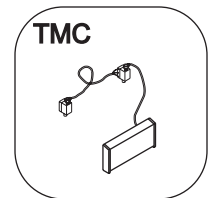
DRW/DEL



FDD



SD



TMC

DM5R-82 Rounded Doctor's Module \$3,782.00

Select Options

- *FDD Flip down drawer \$165.00
- *POWS Pullout writing surface \$209.00
- *DRW/DEL Drawer over delivery system \$371.00

Select Sink/Plumbing

- *1-570 15"x15" S/S sink w/S.L faucet Included
- *PS/W Porcelain sink upgrade (white) \$441.00
- *TMC Tapmaster foot control \$472.00
- *SD Soap dispenser \$47.00

Select Countertop Options

- *DM5R-82/ISST Upgrade to solid surface top with integral bowl and waste drop \$1,582.00

- Select Colors**
- Countertop:
 - Cabinets:
 - Accent:
 - PVC:
 - Base:
 - Pulls:
 - Sink right or left:

Cabinet Total.....\$

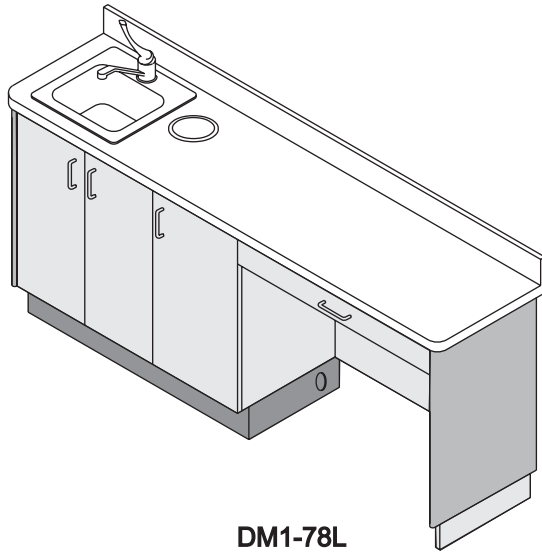
Dimensions

- Length: 82"
- Depth: 19"
- Height: 33 1/2"
- Open area: 34"

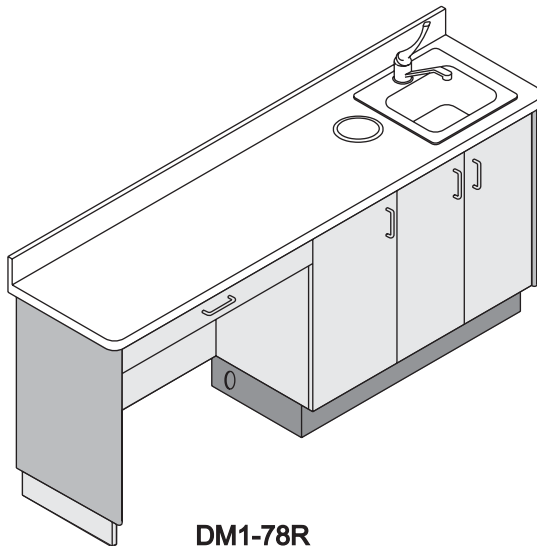
Features

- *Drawer cabinet (standard) (3)3 5/8' (1)7" (1)8 1/4"
- *Waste compartment with 5" molded countertop drop and 36 quart waste container.
- *Reinforced rear panel for delivery system mounting.
- *Removable bottom for utility connections.
- *Stainless steel sink and faucet.
- *Removable accent panels.
- *Separate base with leveling feet.
- *Laminated top with self edge and loose splash.

DM1-78L, DM1-78R



DM1-78L



DM1-78R

DM1-78 Doctor's Module \$3,158.00

Select Sink/Plumbing

*1-570	15"x15" S/S sink w/S.L faucet	Included
*PS/W	Porcelain sink upgrade (white)	\$441.00
*TMC	Tapmaster foot control	\$472.00
*SD	Soap dispenser	\$47.00

Select Countertop Options

*	Upgrade to laminate countertop with seamless splash and rolled edge (any color)	\$284.00
*DM1-78/ISST	Upgrade to solid surface top with integral bowl and waste drop	\$1,738.00

Select Colors

Countertop:
Cabinets:
Accent:
PVC:
Base:
Pulls:
Sink right or left:

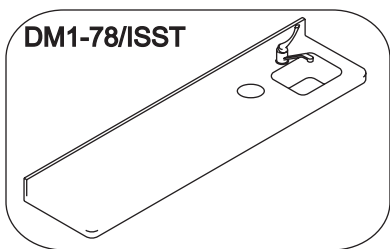
Cabinet Total.....\$

Dimensions

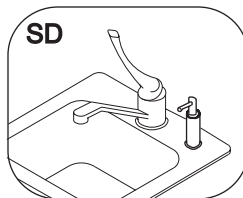
Length:	78"
Depth:	19"
Height:	33 1/2"
Open area:	34"

Features

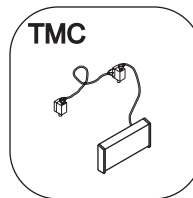
- *One 3 5/8" drawer over delivery system.
- *Storage cabinet with two adjustable shelves.
- *Waste compartment with 5" molded countertop drop and 36 quart waste container.
- *Reinforced rear panel for delivery system mounting.
- *Removable bottom for utility connections.
- *Stainless steel sink and faucet.
- *Removable accent panels.
- *Separate base with leveling feet.
- *Laminated top with self edge and loose splash.



DM1-78/ISST

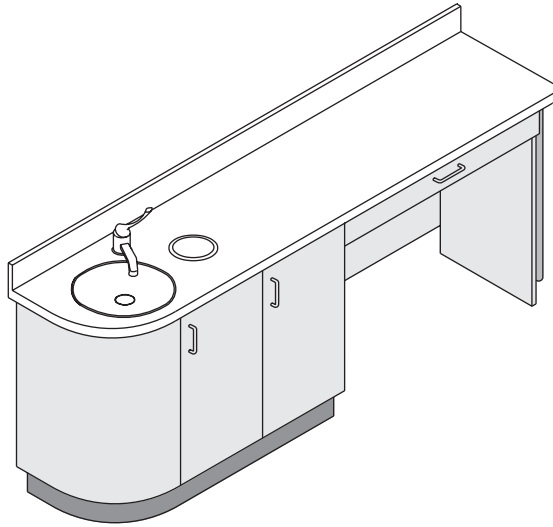


SD

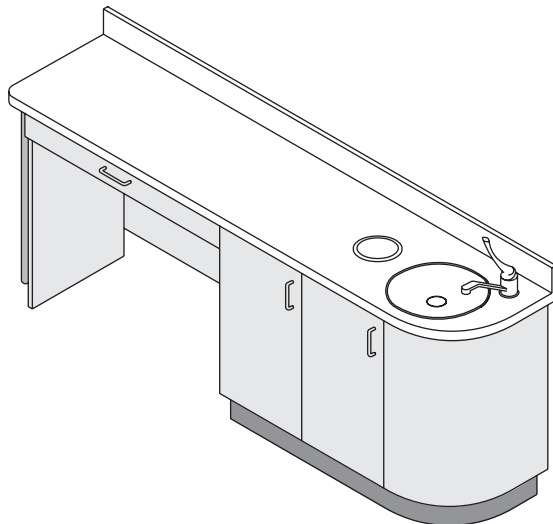


TMC

DM1R-82L, DM1R-82R



DM1R-82L



DM1R-82R

DM1R-82 Rounded Doctor's Module \$3,590.00

Select Options

*POWS Pullout work surface \$209.00

Select Sink/Plumbing

*1-570 15"x15" S/S sink w/S.L faucet Included
 *PS/W Porcelain sink upgrade (white) \$441.00
 *TMC Tapmaster foot control \$472.00
 *SD Soap dispenser \$47.00

Select Countertop Options

*DM1R-82/ISST Upgrade to solid surface top with integral bowl and waste drop \$1,582.00

Select Colors

Countertop:
 Cabinets:
 Accent:
 PVC:
 Base:
 Pulls:
 Sink right or left:

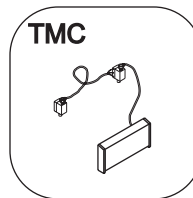
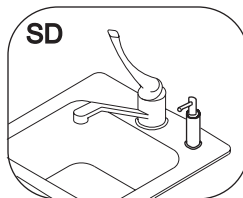
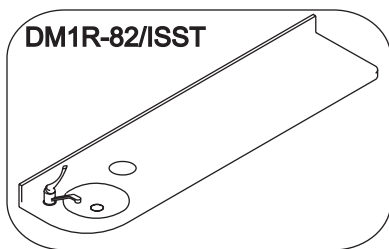
Cabinet Total..... \$

Dimensions

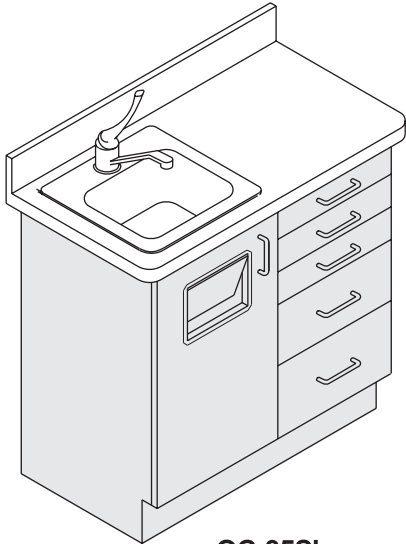
Length: 82"
 Depth: 19"
 Height: 33 1/2"
 Open area: 34"

Features

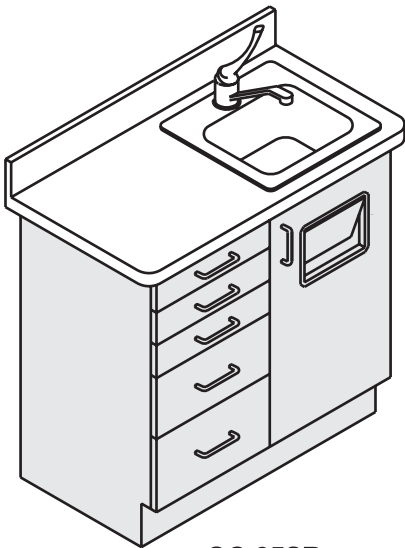
- *One 3 5/8" drawer over delivery system.
- *Storage cabinet with two adjustable shelves.
- *Waste compartment with 5" molded countertop drop and 36 quart waste container.
- *Reinforced rear panel for delivery system mounting.
- *Removable bottom for utility connections.
- *Stainless steel sink and faucet.
- *Removable accent panels.
- *Separate base with leveling feet.
- *Laminated top with self edge and loose splash.



OC-35SL, OC-35SR



OC-35SL



OC-35SR

OC-35 Combo (standard) \$1,985.00

Select Options

*FDD Flip down drawer \$165.00

Select Sink/Plumbing

*1-570 15x15 S/S sink w/S.L faucet Included
 *PS/W Porcelain sink upgrade (white) \$441.00
 *TMC Tapmaster foot control \$472.00
 *SD Soap dispenser \$47.00

Select Countertop Options

* Upgrade to laminate countertop with seamless splash and rolled edge (any color) \$284.00

Select Colors

Countertop:
 Cabinets:
 PVC:
 Base:
 Pulls:
 Sink right or left:

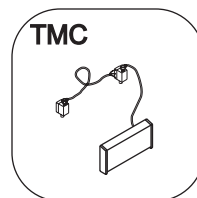
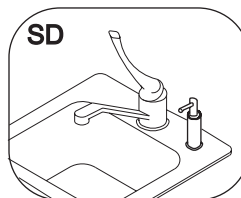
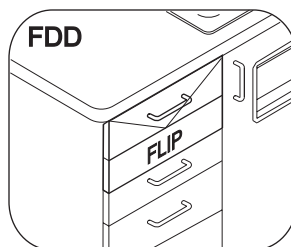
Cabinet Total.....\$

Dimensions

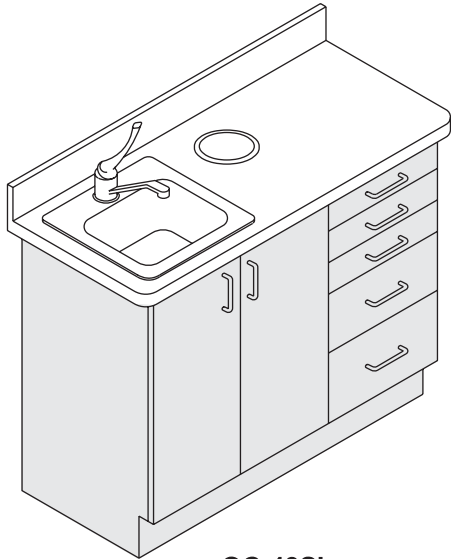
Length: 35"
 Depth: 19"
 Height: 33 1/2"

Features

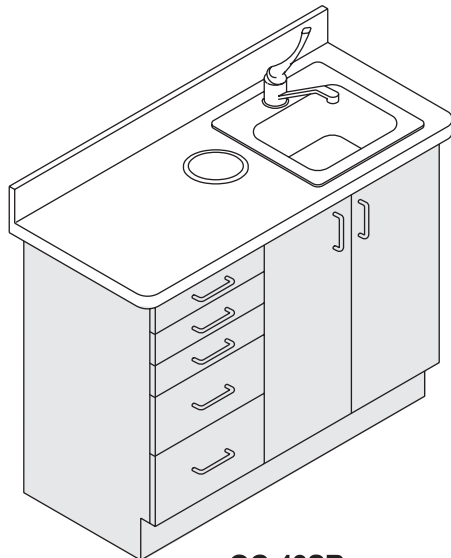
*Drawer cabinet (standard) (3)3 5/8" (1)7" (1)8 1/4"
 *Waste compartment with flip in door and 36 quart waste container.
 *Stainless steel sink and faucet.
 *Laminated top with self edge and loose splash.



OC-43SL, OC-43SR



OC-43SL



OC-43SR

OC-43 Combo (standard) \$2,265.00

Select Options

*FDD Flip down drawer \$165.00

Select Sink/Plumbing

*1-570 15x15 S/S sink w/S.L faucet Included
 *PS/W Porcelain sink upgrade (white) \$441.00
 *TMC Tapmaster foot control \$472.00
 *SD Soap dispenser \$47.00

Select Countertop Options

* Upgrade to laminate countertop with seamless splash and rolled edge (any color) \$284.00

Select Colors

Countertop:
 Cabinets:
 PVC:
 Base:
 Pulls:
 Sink right or left:

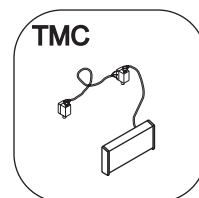
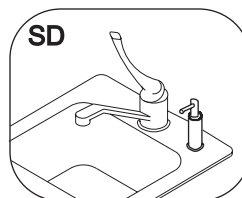
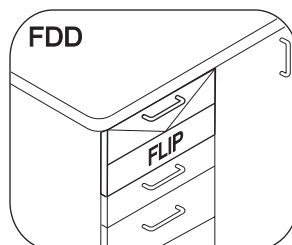
Cabinet Total..... \$

Dimensions

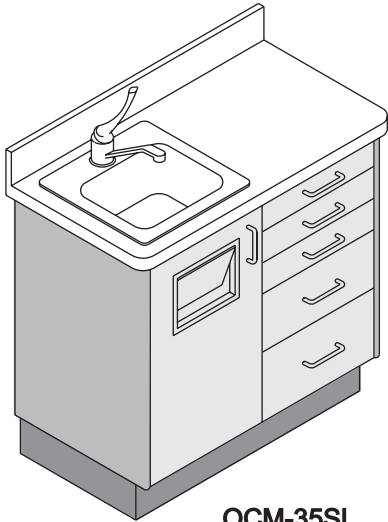
Length: 43"
 Depth: 19"
 Height: 33 1/2"

Features

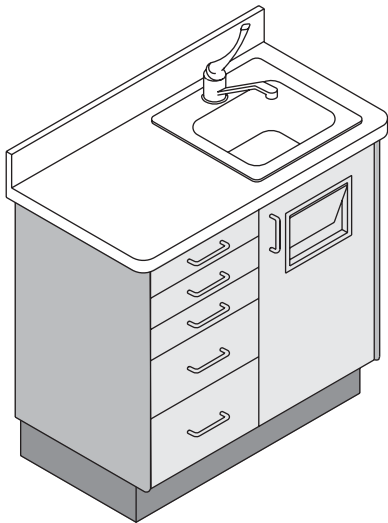
*Drawer cabinet (standard) (3)3 5/8" (1)7" (1)8 1/4"
 *Waste compartment with 5" molded countertop drop and 36 quart waste container.
 *Stainless steel sink and faucet.
 *Laminated top with self edge and loose splash.



OCM-35SL, OCM-35SR



OCM-35SL



OCM-35SR

OCM-35 Combo \$2,462.00

Select Options

*FDD Flip down drawer \$165.00

Select Sink/Plumbing

*1-570 15x15 S/S sink w/S.L faucet Included
 *PS/W Porcelain sink upgrade (white) \$441.00
 *TMC Tapmaster foot control \$472.00
 *SD Soap dispenser \$47.00

Select Countertop Options

* Upgrade to laminate countertop with seamless splash and rolled edge (any color) \$284.00

Select Colors

Countertop:
 Cabinets:
 Accent:
 PVC:
 Base:
 Pulls:
 Sink right or left:

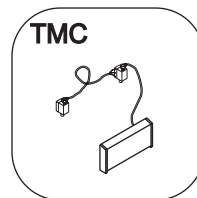
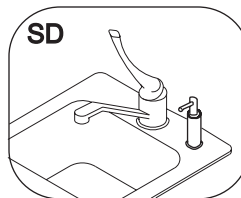
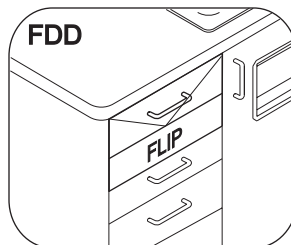
Cabinet Total.....\$

Dimensions

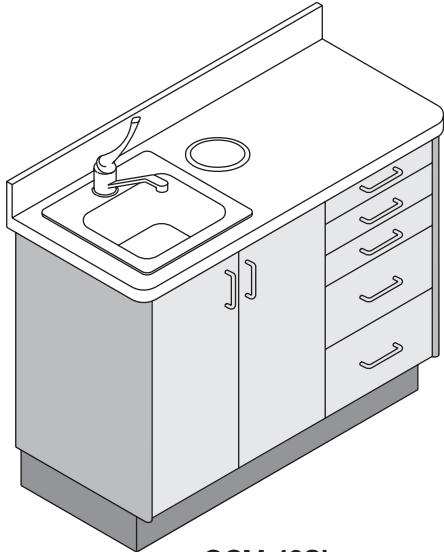
Length: 35"
 Depth: 19"
 Height: 33 1/2"

Features

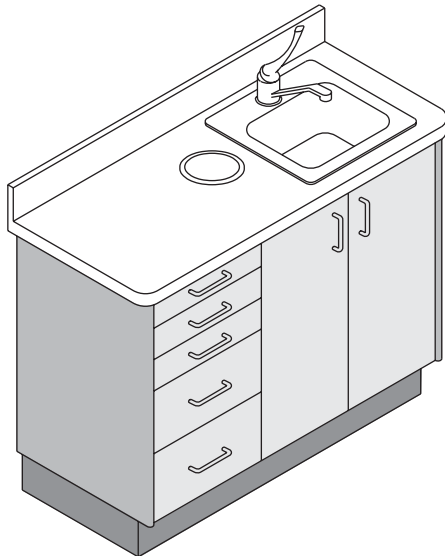
- *Drawer cabinet (standard) (3)3 5/8" (1)7" (1)8 1/4"
- *Waste compartment with flip in door and 36 quart waste container.
- *Stainless steel sink and faucet.
- *Laminated top with self edge and loose splash.
- *Removable accent panels.



OCM-43SL, OCM-43SR



OCM-43SL



OCM-43SR

OCM-43 Combo Module \$2,861.00

Select Options

*FDD Flip down drawer \$165.00

Select Sink/Plumbing

*1-570 15x15 S/S sink w/S.L faucet Included
 *PS/W Porcelain sink upgrade (white) \$441.00
 *TMC Tapmaster foot control \$472.00
 *SD Soap dispenser \$47.00

Select Countertop Options

* Upgrade to laminate countertop with seamless splash and rolled edge (any color) \$284.00

Select Colors

Countertop:
 Cabinets:
 Accent:
 PVC:
 Base:
 Pulls:
 Sink right or left:

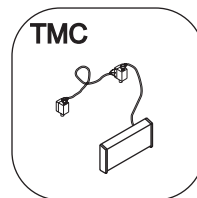
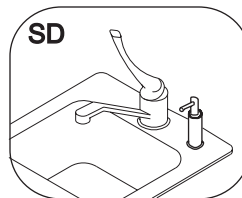
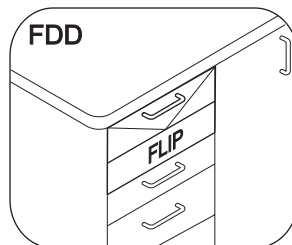
Cabinet Total.....\$

Dimensions

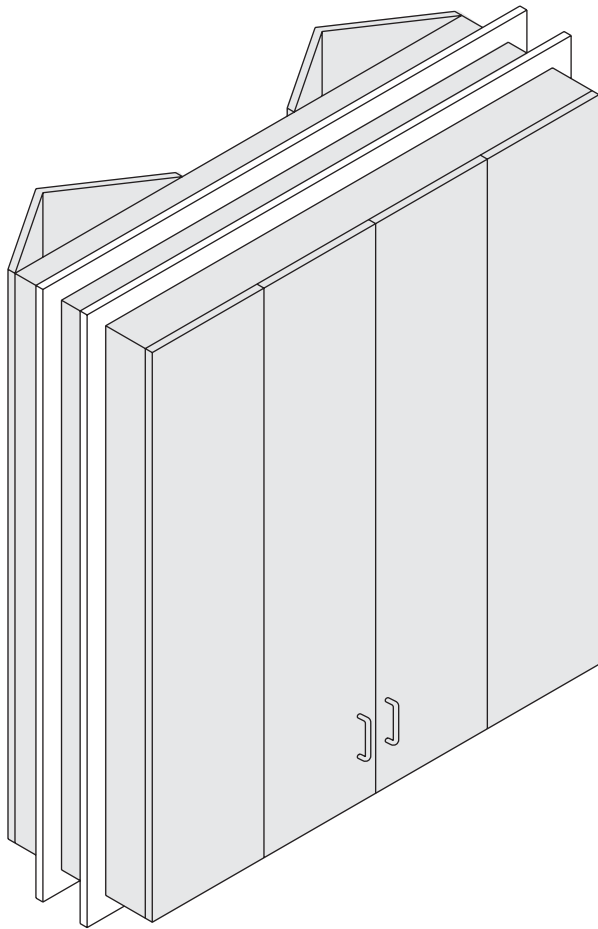
Length: 43"
 Depth: 19"
 Height: 33 1/2"

Features

- *Drawer cabinet (standard) (3)3 5/8" (1)7" (1)8 1/4"
- *Waste compartment with 5" molded countertop drop and 36 quart waste container.
- *Stainless steel sink and faucet.
- *Laminated top with self edge and loose splash.
- *Removable accent panels.



XRPT-4853



XRPT-4853 X-ray Pass-thru Cabinet \$1,693.00

Select Options

*XRPT-4853-01 X-ray shielding \$482.00
 *XRPT-4853-02 Trim kit \$223.00

*Custom sizes available to fit any size rough opening or X-ray unit.....CALL FOR QUOTE

Select Colors Cabinet:
 PVC:
 Pulls:

Cabinet Total.....\$

Features

- *Bi-fold doors fold flat for maximum access.
- *All plywood construction.
- *Double end panel for x-ray equipment mounting.

Outside dimensions

Width: 48"
 Height: 53"
 Depth: 16"

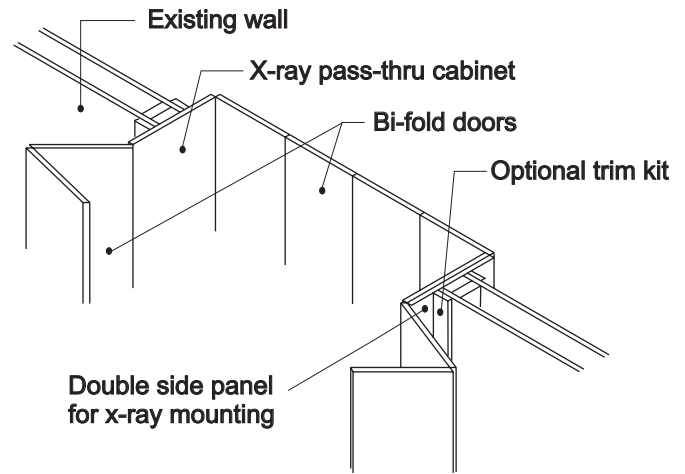
Inside dimensions

Width: 45 3/4"
 Height: 51 1/2"
 Depth: 14"

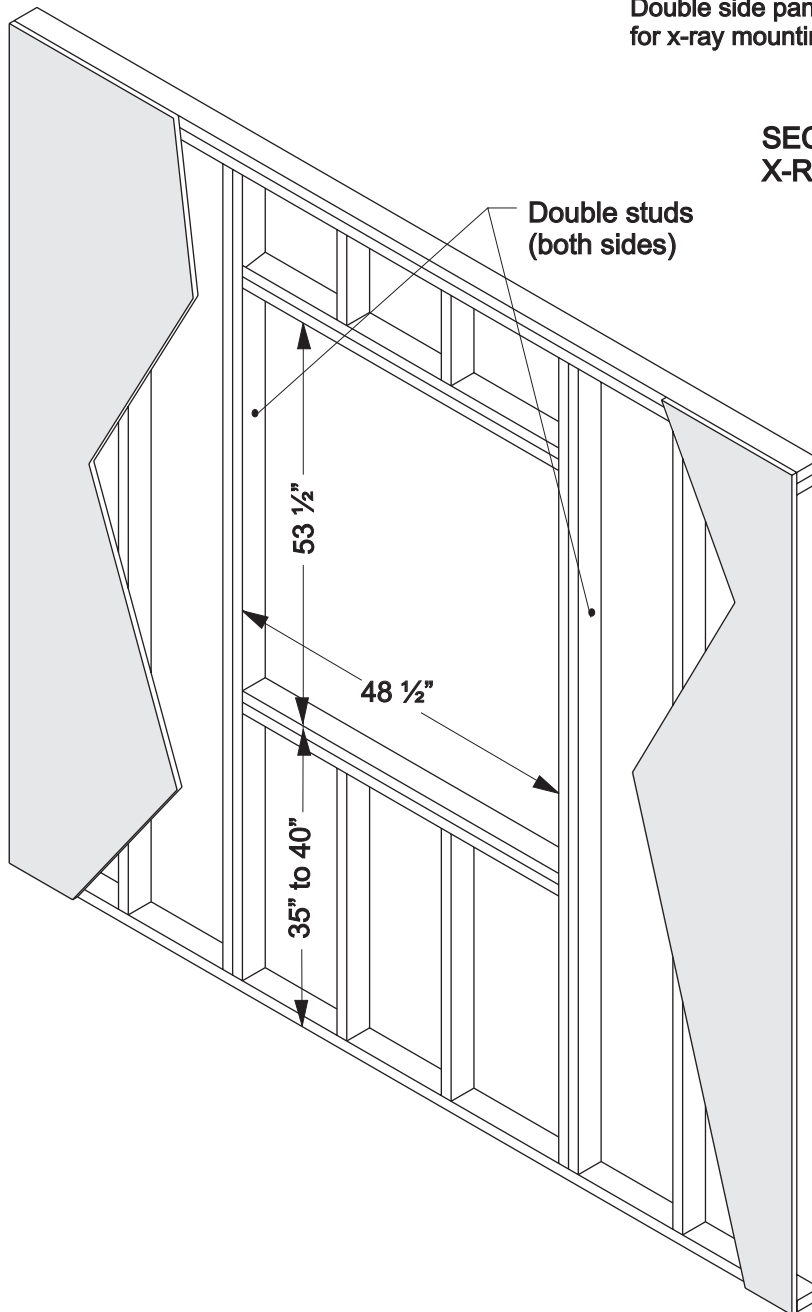
Rough opening required

Width: 48 1/2"
 Height: 53 1/2"

XRPT-4853 WALL OPENING DETAILS

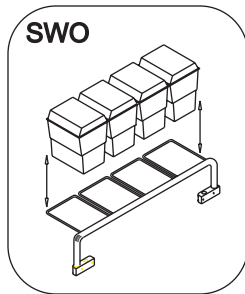
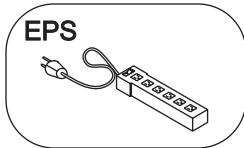


SECTION VIEW OF X-RAY PASS-THRU



WALL FRAME DETAIL

AM4-31



AM4-31 Doctor's Mobile \$959.00

Select Options

*SWO Storage well organizer \$398.00
 *EPS Electric power strip \$47.00

Select Colors Countertop:
 Cabinets:
 PVC:
 Pulls:

Cabinet Total.....\$

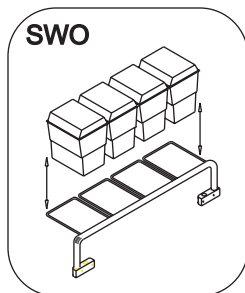
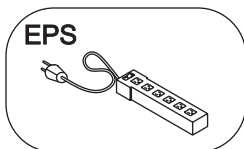
Dimensions

Height: 30 5/8"
 Width: 21 1/4"
 Depth: 19 3/4"

Features

*Metabox drawer system (3)3 5/8" (1)5" (1)8"
 *Available in most colors.

AM4-34



AM4-34 Doctor's Mobile \$1,038.00

Select Options

*SWO Storage well organizer \$398.00
 *EPS Electric power strip \$47.00

Select Colors Countertop:
 Cabinets:
 PVC:
 Pulls:

Cabinet Total.....\$

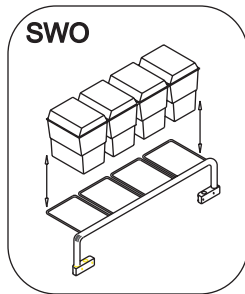
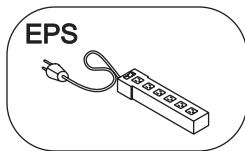
Dimensions

Height: 33 5/8"
 Width: 21 1/4"
 Depth: 19 3/4"

Features

*Metabox drawer system (4)3 5/8" (1)5" (1)7 1/4"
 *Available in most colors.

AM8-31



AM8-31 North Carolina Assistant's Mobile \$1,183.00

Select Options

*SWO Storage well organizer \$398.00
 *EPS Electric power strip \$47.00

Select Colors Countertop:
 Cabinets:
 PVC:
 Pulls:

Cabinet Total.....\$

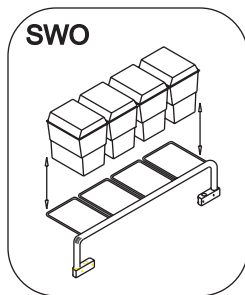
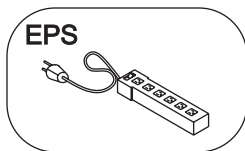
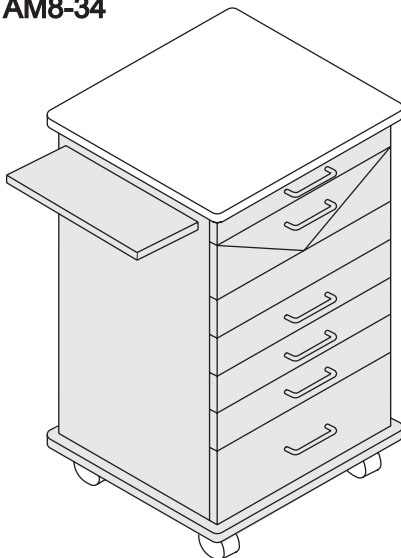
Dimensions

Height: 30 5/8"
 Width: 21 1/4"
 Depth: 19 3/4"

Features

*Metabox drawer system
 (1) flip down drawer (2)3 5/8" (1)6 3/4"
 *Pullout work surface on left side
 *Available in most colors

AM8-34



AM8-34 North Carolina Assistant's Mobile \$1,251.00

Select Options

*SWO Storage well organizer \$398.00
 *EPS Electric power strip \$47.00

Select Colors Countertop:
 Cabinets:
 PVC:
 Pulls:

Cabinet Total.....\$

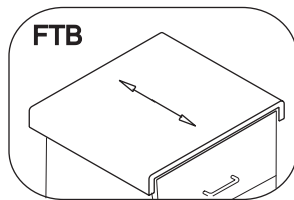
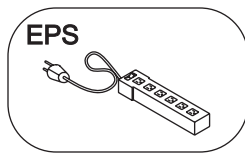
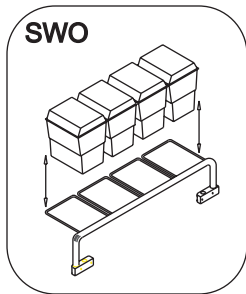
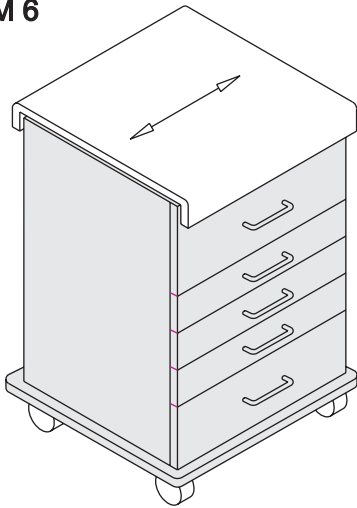
Dimensions

Height: 33 5/8"
 Width: 21 1/4"
 Depth: 19 3/4"

Features

*Metabox drawer system
 (1) flip down drawer (3)3 5/8" (1)6"
 *Pullout work surface on left side.
 *Available in most colors.

AM 6



AM6

Alabama
Assistant's Mobile

\$949.00

Select Options

*SWO	Storage well organizer	\$398.00
*EPS	Electric power strip	\$47.00
*FTB	Front to back sliding top	No charge

Select Colors

Countertop:
Cabinets:
PVC:
Pulls:

Cabinet Total..... \$

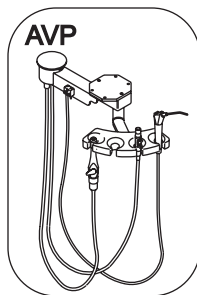
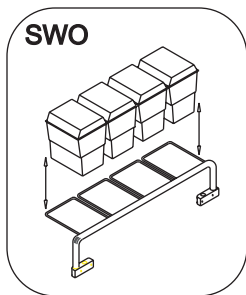
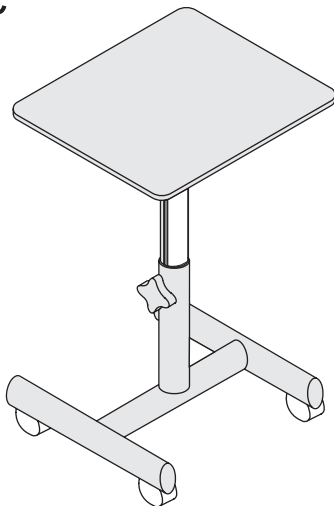
Dimensions

Height:	31 1/8"
Width:	21 1/4"
Depth:	20 1/2"

Features

- *Equipment well 8 1/2 deep
- *Post formed sliding top
- *Metabox drawer system (3)3 5/8" (1)6 3/8"
- *Available in most colors.

ASC



ASC

Assistant's Cart

\$1,009.00

Select Options

*SWO	Storage well organizer	\$398.00
*AVP	Assistant's vacuum package	\$1,078.00

Select Colors

Countertop:

Cabinet Total.....\$

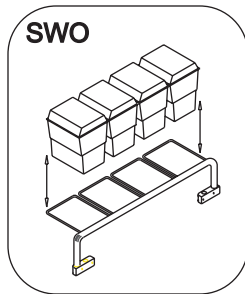
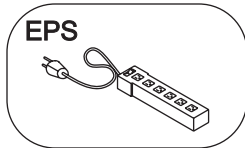
Dimensions

Height:	23" to 32"
Width:	22"
Depth:	19"

Features

- *19"x 22" work surface
- *Adjustable in height from 23" to 32"

EM4-31



EM4-31 Doctor's Mobile \$830.00

Select Options

*SWO Storage well organizer \$398.00
 *EPS Electric power strip \$47.00

Select Colors

*Countertop/Cabinet Available only in:
 White, Grey, Almond, or Surf

*White pulls

Cabinet Total.....\$

No variations to the economy units are available.

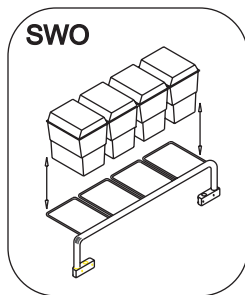
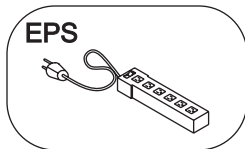
Dimensions

Height: 30 5/8"
 Width: 21 1/4"
 Depth: 20 1/2"

Features

*Metabox drawer system
 (3)3 5/8" (1)5 1/2" (1)7 1/2"
 *Available in most colors.

EM8-31



EM8-31 North Carolina
 Assistant's Mobile \$946.00

Select Options

*SWO Storage well organizer \$398.00
 *EPS Electric power strip \$47.00

Select Colors

*Countertop/Cabinet Available only in:
 White, Grey, Almond, or Surf

*White pulls

Cabinet Total.....\$

No variations to the economy units are available.

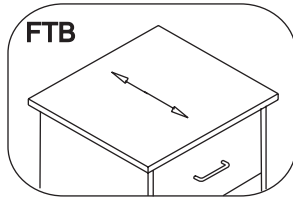
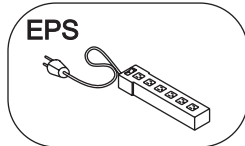
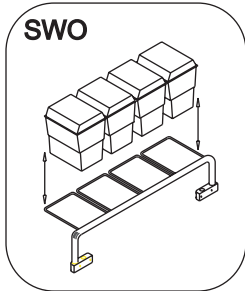
Dimensions

Height: 30 5/8"
 Width: 21 1/4"
 Depth: 20 1/2"

Features

*Metabox drawer system
 (1)9"Flip down (2)3 5/8" (1)6 3/4"
 *Available in most colors.

EM 6



EM6

Alabama
Assistant's Mobile

\$759.00

Select Options

*SWO	Storage well organizer	\$398.00
*EPS	Electric power strip	\$47.00
*FTB	Front to back sliding top	No charge

Select Colors

Countertop:
Cabinets:
PVC:
Pulls:

Cabinet Total.....\$

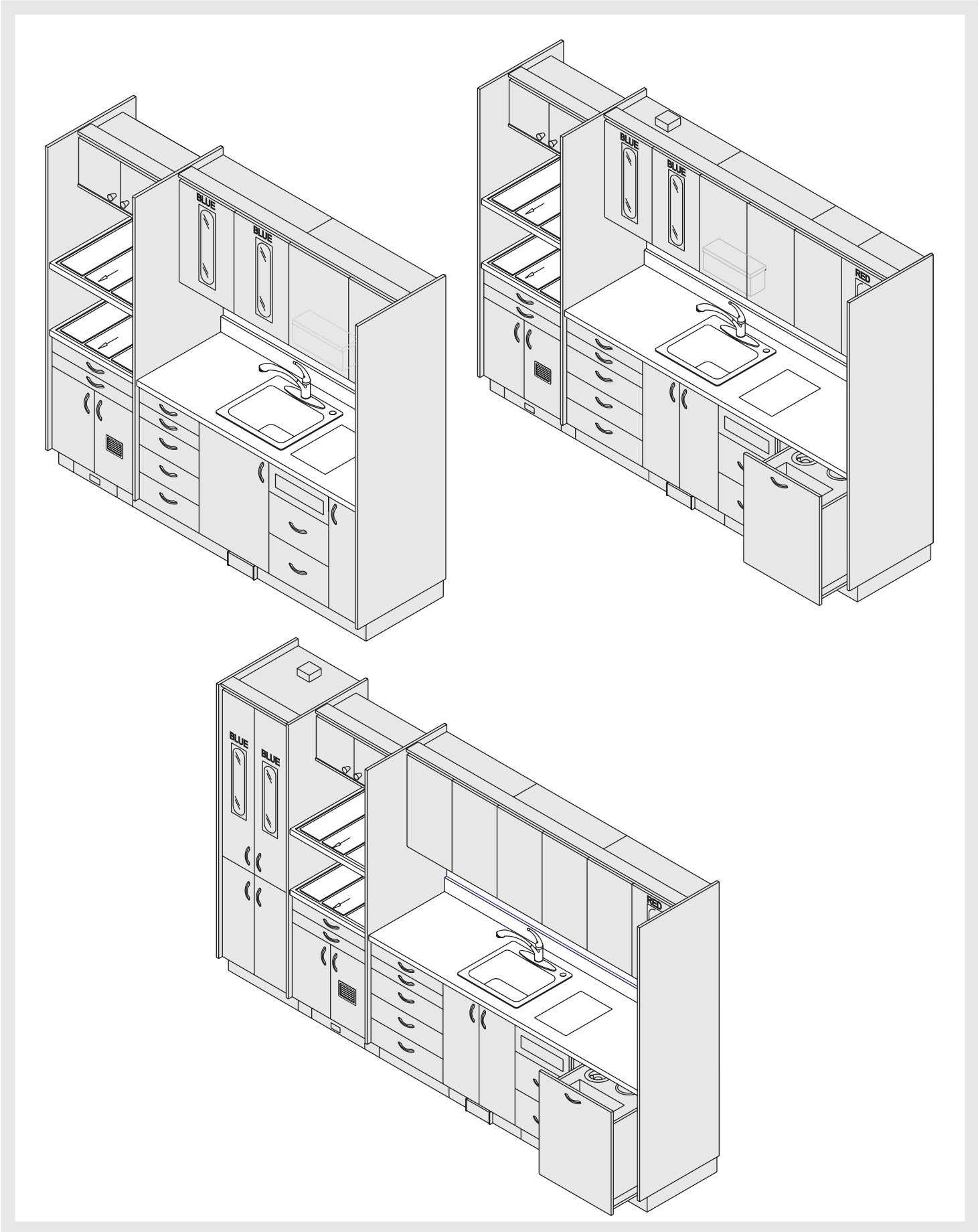
No variations to the economy units are available.

Dimensions

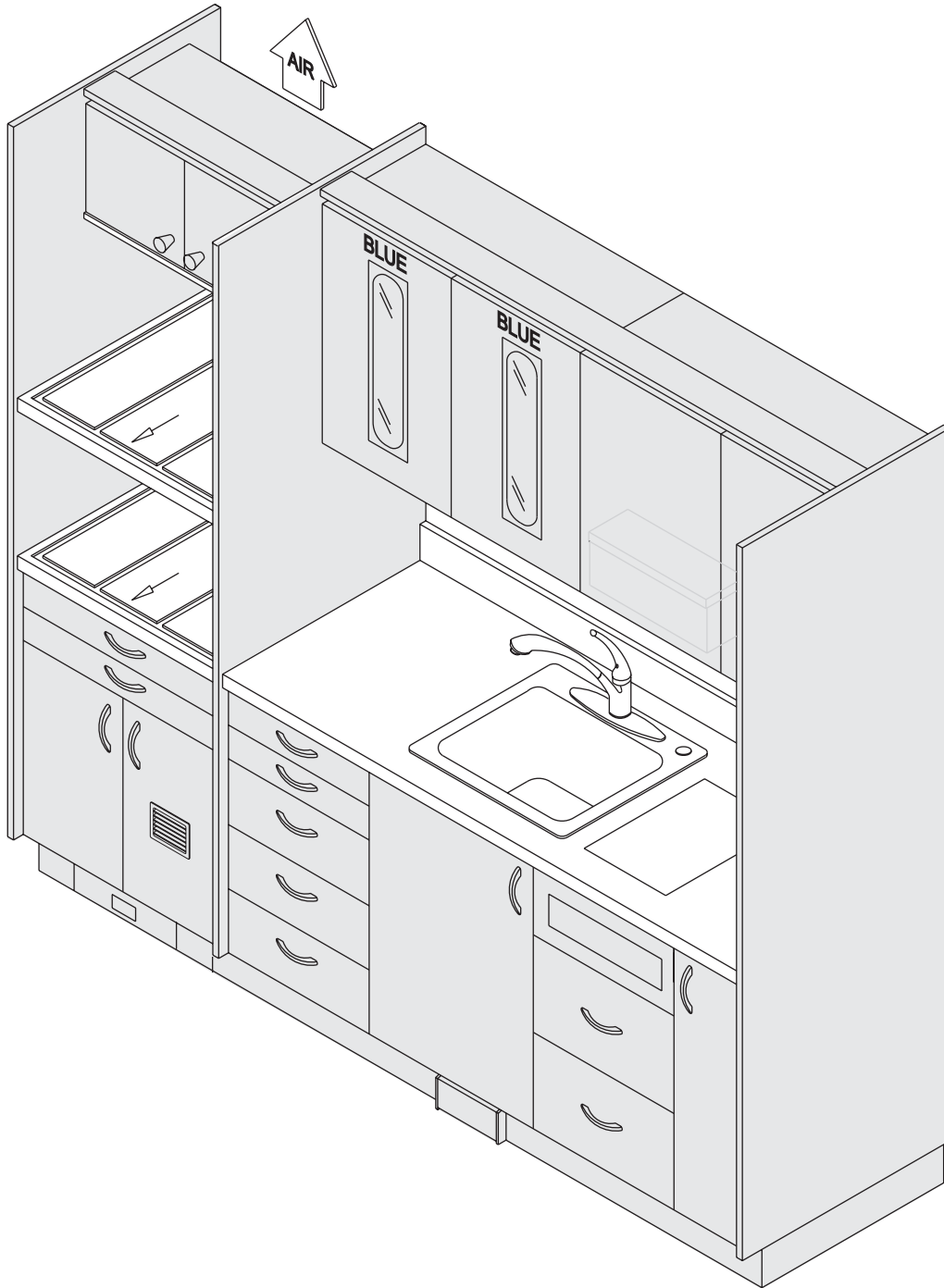
Height:	31 1/8"
Width:	21 1/4"
Depth:	20 1/2"

Features

- *Equipment well 8 1/2 deep
- *Sliding top
- *Metabox drawer system
(1)3 5/8" (1)5 1/2" (1)8 1/8"
- *Available in most colors.



TSC-8



TSC-8 8' Sterilization Center \$15,087.00

Select Options

*BAGSTOR	Bag storage 18"	\$155.00
*SD	Soap dispenser	\$47.00
*VAC	Vacuum with grommet	\$175.00
*DBLAC	Double Autoclave stack cabinet	No charge

Select Countertop Options

*TSC-8/ISST	Upgrade to solid surface top with integral bowl	\$2,962.00
-------------	---	------------

Select Colors

Countertop:
Cabinets:
Accent:
PVC:
Base:
Pulls:
Sink right or left:

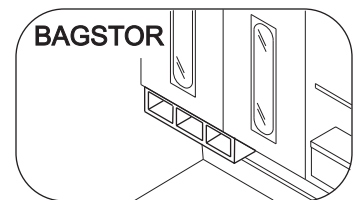
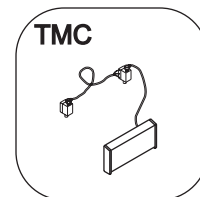
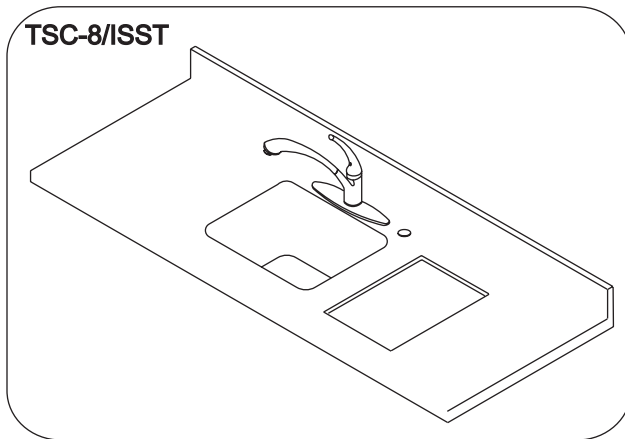
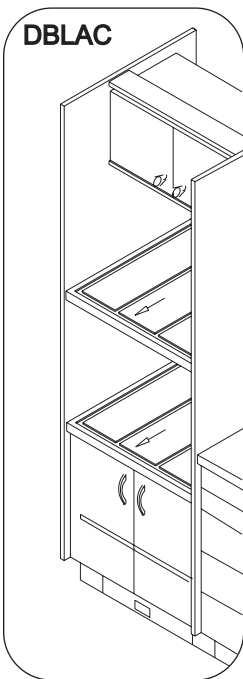
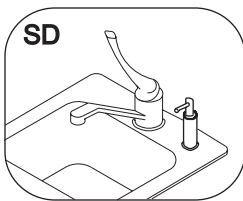
Cabinet Total.....\$

Dimensions

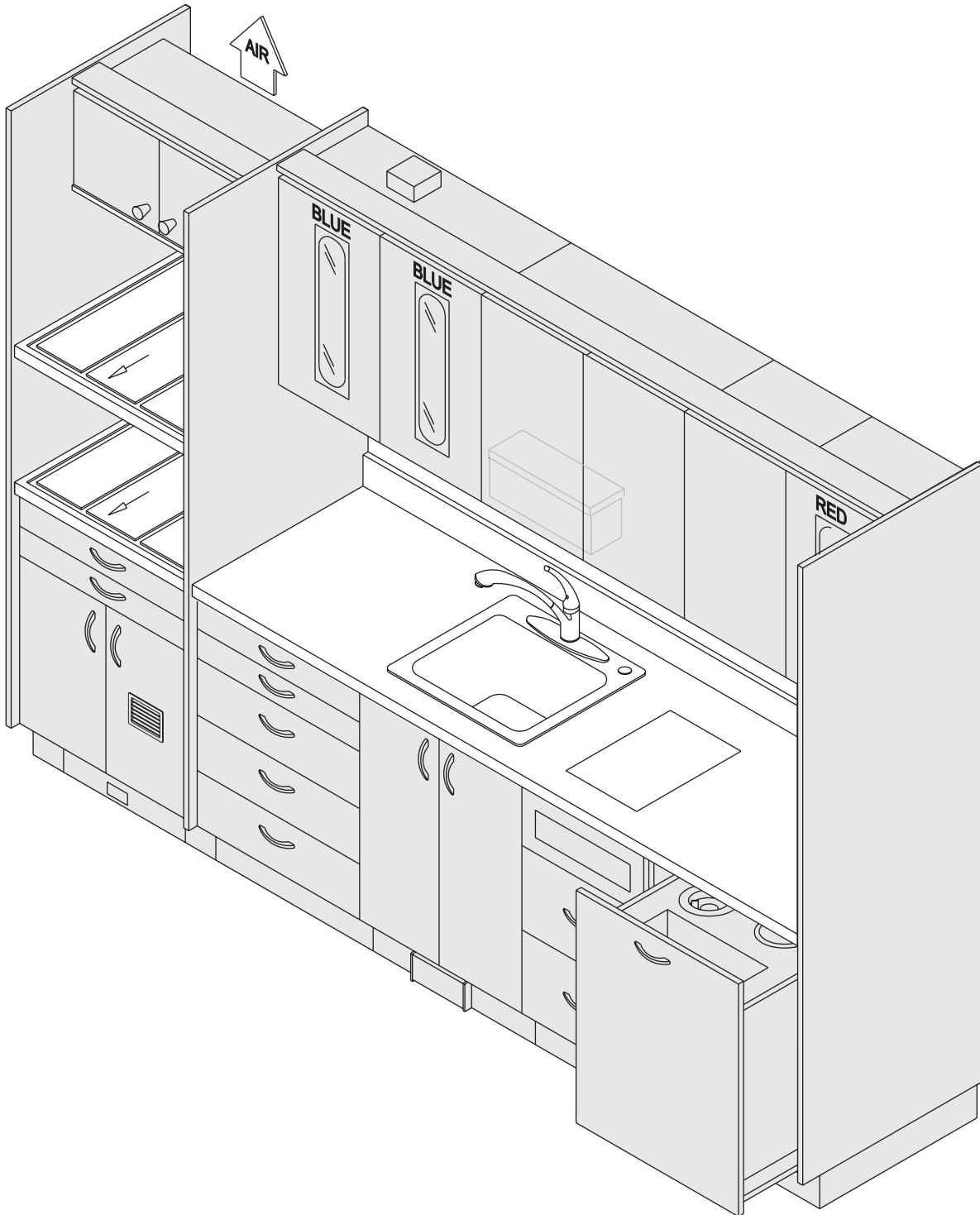
Length: 94 3/4"
Depth: 26 1/2"
Height: 84"

Features

- *20"x 19" Stainless steel sink.
- *Delta Euro faucet with pullout spray.
- *Water foot control.
- *Wrapping drawers (2)
- *Pre-soaking tub.
- *Towel/Glove dispenser.
- *Thermal formed pullout shelves.
- *Task lighting and valance.
- *Upper cabinet with blue light, tray storage and ventilation fan.
- *Pullout step stool.



TSC-10



TSC-10 10' Sterilization Center \$16,538.00

Select Options

*BAGSTOR	Bag storage 18"	\$155.00
*SD	Soap dispenser	\$47.00
*VAC	Vacuum with grommet	\$175.00
*DBLAC	Double Autoclave stack cabinet	No charge

Select Countertop Options

*TSC-10/ISST	Upgrade to solid surface top with integral bowl	\$2,418.00
--------------	---	------------

Select Colors

Countertop:
Cabinets:
Accent:
PVC:
Base:
Pulls:
Sink right or left:

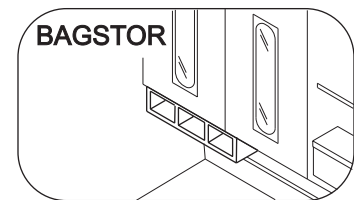
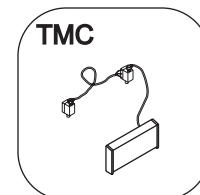
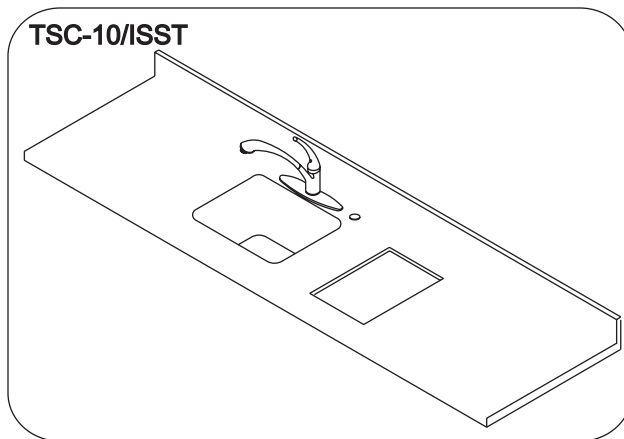
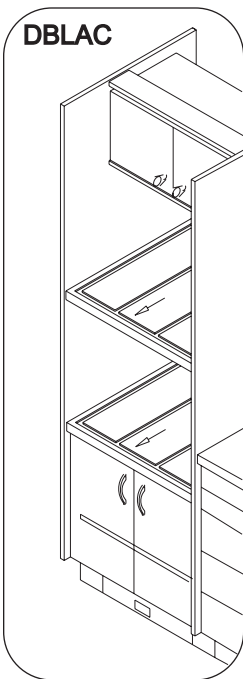
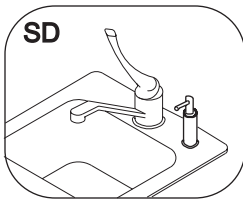
Cabinet Total.....\$

Dimensions

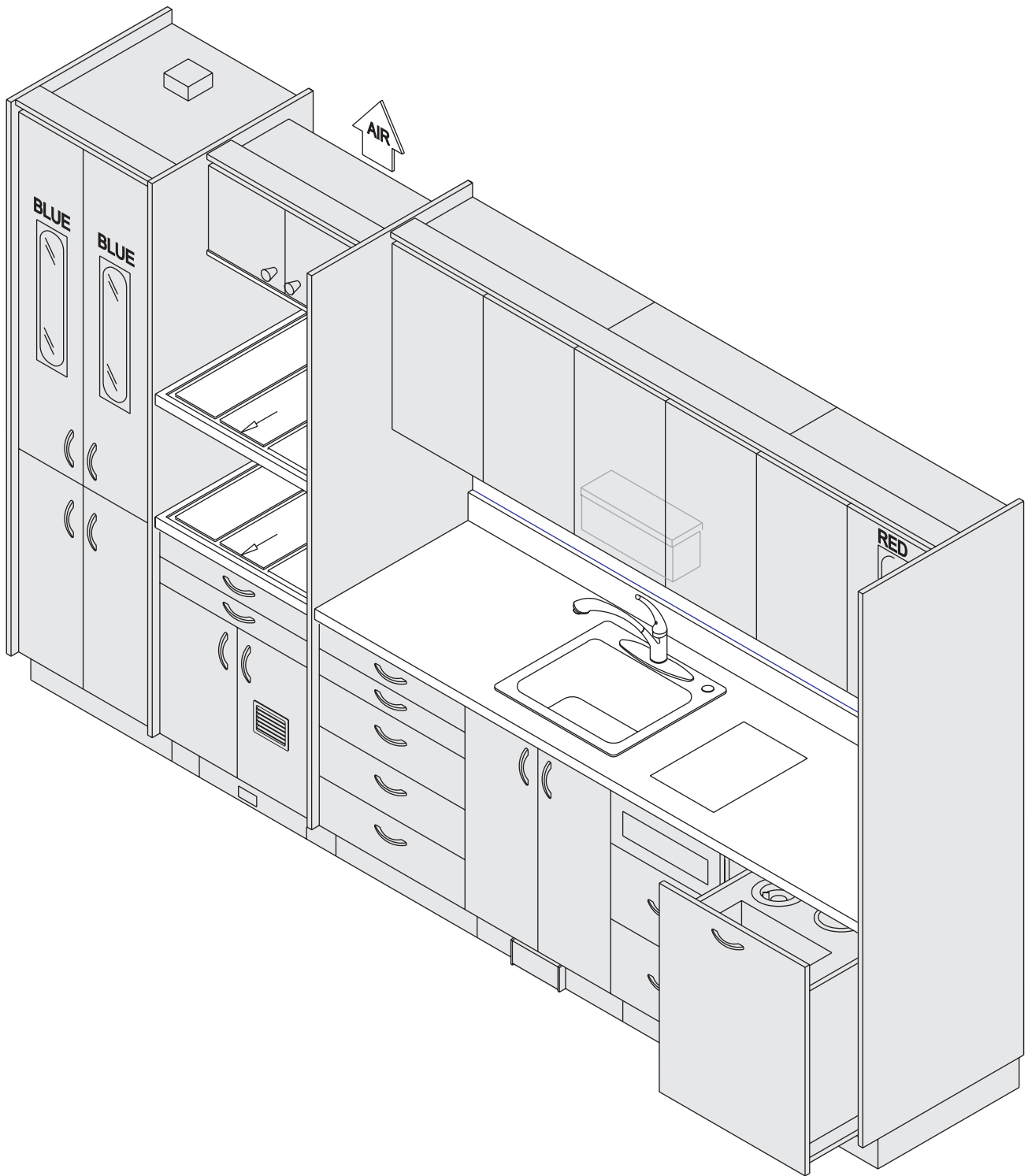
Length: 117 3/4"
Depth: 26 1/2"
Height: 84"

Features

- *20"x 19" Stainless steel sink.
- *Delta Euro faucet with pullout spray.
- *Water foot control.
- *Wrapping drawers (2)
- *Pre-soaking tub.
- *Towel/Glove dispenser.
- *Thermal formed pullout shelves.
- *Task lighting and valance.
- *Upper cabinet with blue light, tray storage and ventilation fan.
- *Pullout step stool.



TSC-12



TSC-12 12' Sterilization Center \$19,268.00

Select Options

*BAGSTOR	Bag storage 18"	\$155.00
*SD	Soap dispenser	\$47.00
*VAC	Vacuum with grommet	\$175.00
*DBLAC	Double Autoclave stack cabinet	No charge

Select Countertop Options

*TSC-12/ISST	Upgrade to solid surface top with integral bowl	\$2,418.00
--------------	---	------------

Select Colors

Countertop:
Cabinets:
Accent:
PVC:
Base:
Pulls:
Sink right or left:

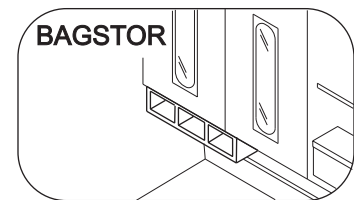
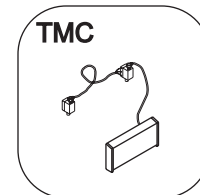
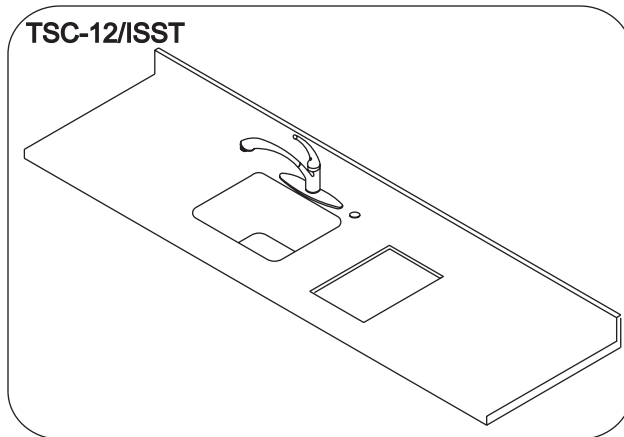
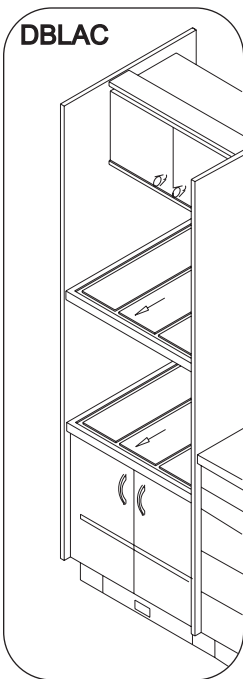
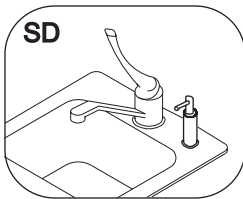
Cabinet Total.....\$

Dimensions

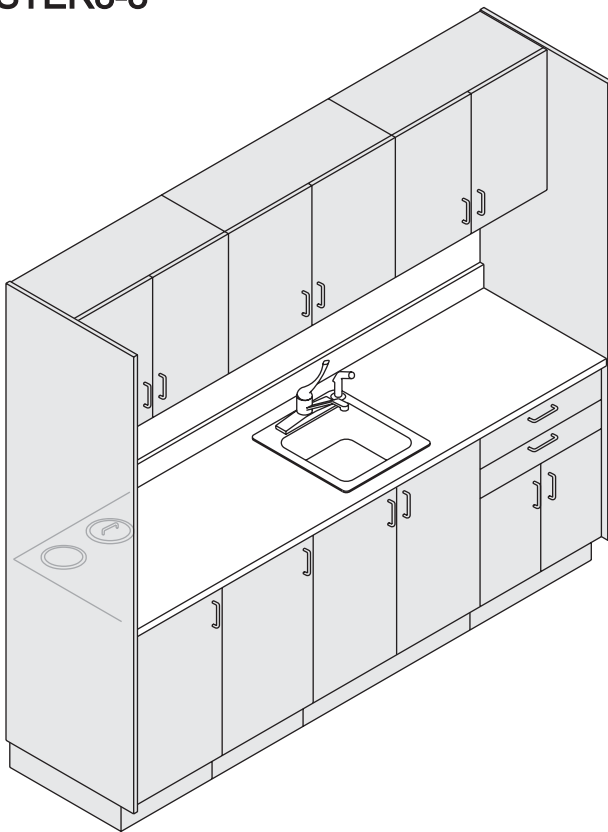
Length: 142 1/2"
Depth: 26 1/2"
Height: 84"

Features

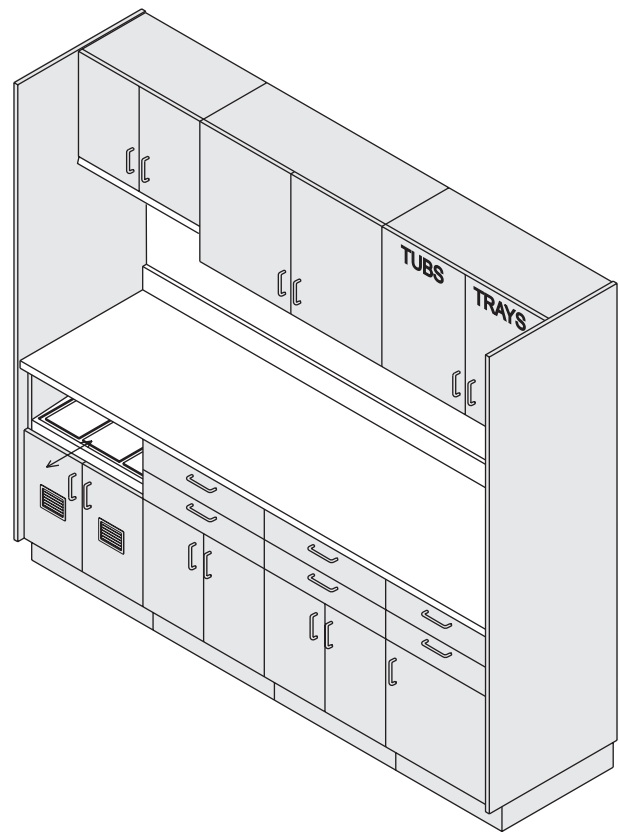
- *20"x 19" Stainless steel sink.
- *Delta Euro faucet with pullout spray.
- *Water foot control.
- *Wrapping drawers (2)
- *Pre-soaking tub.
- *Towel/Glove dispenser.
- *Thermal formed pullout shelves.
- *Task lighting and valance.
- *Clean storage upper cabinet with blue light, tray storage and ventilation fan.
- *Pullout step stool.
- *Contamination center with waste management and soiled tray storage.



STER8-8



SOILED



CLEAN

STER8-8 Sterilization (Soiled Side)

Features

- *(1) SB-180 One door waste cabinet.
- *(1) SB-180 One door base cabinet.
- *(1) SS-330 Two door sink cabinet.
- *(1) SB-242 Two door/Two drawer base cabinet.
- *(1) LTS-25B Countertop.
- *(1) 17"x 19" Stainless steel sink.
- *(1) Delta single lever faucet with spray.
- *(2) Waste chutes.
- *(2) UW3024 Upper cabinet.
- *(1) UW3324 Upper cabinet.

Dimensions (Each side)

Length:	94 1/2"
Depth:	25"
Height:	84"

Price \$14,583.00

STER8-8 Sterilization (Clean Side)

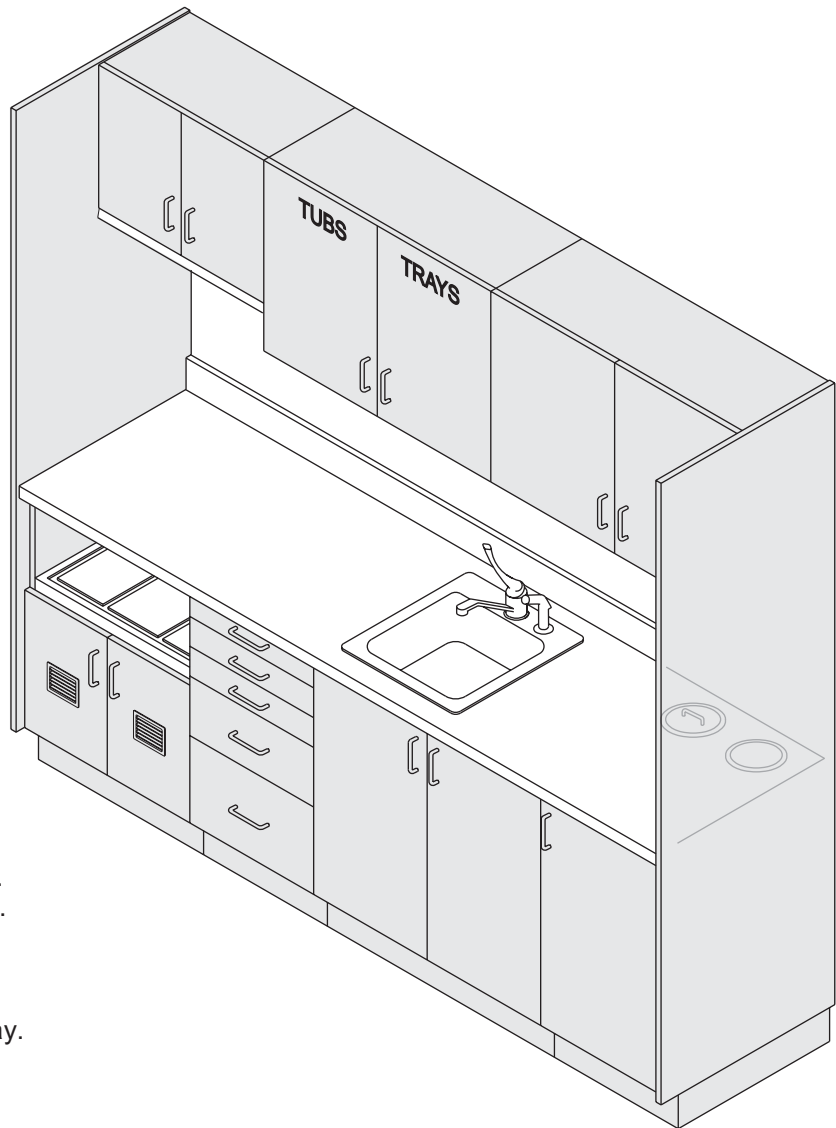
Features

- *(1) SB-240SUC Sterile stack cabinet.
- *(2) SB-242 Two door/Two drawer base cabinet.
- *(1) SB-212 Two door/Two drawer base cabinet.
- *(1) LTS-25B Countertop.
- *(1) UW2418 Two door upper cabinet .
- *(1) UW3624 Two door upper cabinet.
- *(1) UWT3324 Upper Tub/Tray cabinet with tub/tray racks.

Options

- *Right or left hand layout.
- *20"x 19" Stainless steel sink.
- *Delta Euro faucet with pullout spray.
- *Solid surface top with integral bowl and drops.
- *Chemical resistant laminate countertop.

STER-8



STER8 Sterilization Center

Features

- *(1) SB-240SUC Sterile stack cabinet.
- *(1) SB-185 Five drawer base cabinet.
- *(1) SS-330 Sink base cabinet.
- *(1) SB-180 Storage cabinet.
- *(1) LTS-25B Countertop.
- *(1) Delta single lever faucet with spray.
- *(1) 17"x 19" Stainless steel sink.
- *(2) Waste chutes.
- *(1) UW-2418 Upper storage cabinet.
- *(1) UWT-3324 Tub & Tray upper cabinet with adjustable tub & tray racks.
- *(1) UW-3624 Upper storage cabinet.

Dimensions

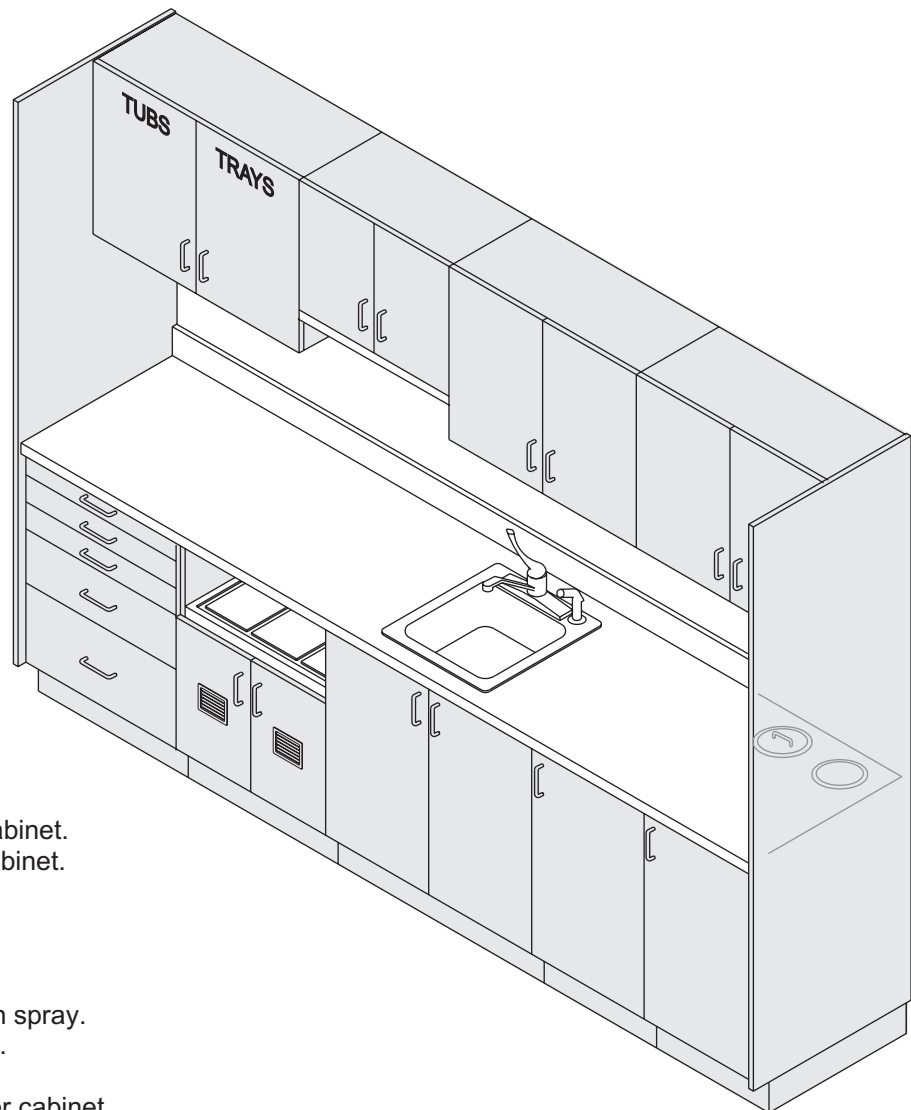
Length: 94 1/2"
 Depth: 25"
 Height: 84"

Options

- *Right or left hand layout.
- *20"x 19" Stainless steel sink.
- *Delta Euro faucet with pullout spray.
- *Solid surface top with integral bowl and drops.
- *Chemical resistant laminate countertop.

Price \$8,531.00

STER-10



STER10 Sterilization Center

Features

- * (1) SB-245 Five drawer base cabinet.
- * (1) SB-240SUC Sterile stack cabinet.
- * (1) SS-330 Sink base cabinet.
- * (1) SB-180 Storage cabinet.
- * (1) SB-180 Waste cabinet.
- * (1) LTS-25B Countertop.
- * (1) Delta single lever faucet with spray.
- * (1) 17" x 19" Stainless steel sink.
- * (2) Waste chutes.
- * (1) UWT-3324 Tub & Tray upper cabinet with adjustable tub & tray racks.
- * (1) UW-2418 Upper storage cabinet.
- * (2) UW-3024 Upper storage cabinet.

Dimensions

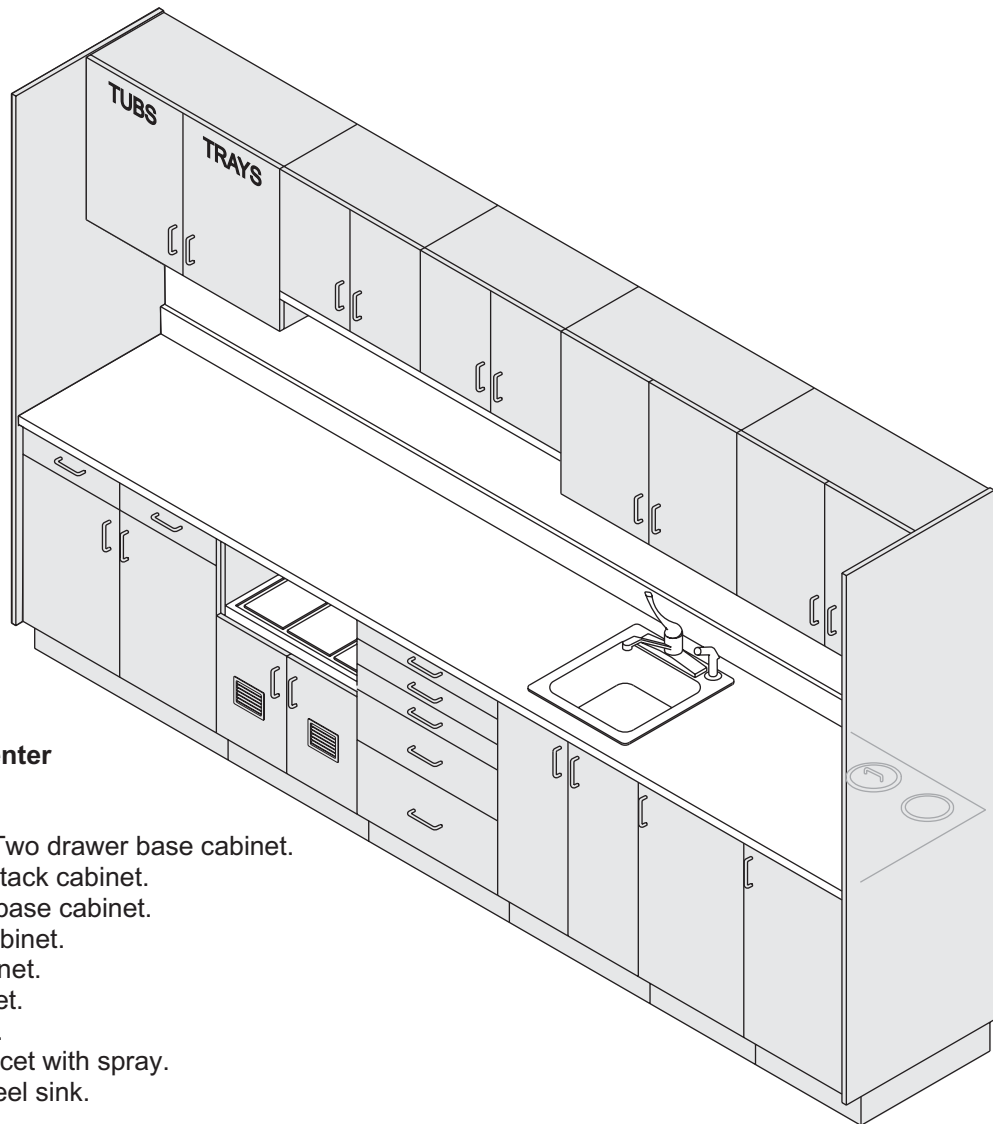
Length: 118 1/2"
 Depth: 25"
 Height: 84"

Options

- * Right or left hand layout.
- * 20" x 19" Stainless steel sink.
- * Delta Euro faucet with pullout spray.
- * Solid surface top with integral bowl and drops.
- * Chemical resistant laminate countertop.

Price \$10,006.00

STER-12



STER12 Sterilization Center

Features

- * (1) SBT-330 Two door/ Two drawer base cabinet.
- * (1) SB-240SUC Sterile stack cabinet.
- * (1) SB-245 Five drawer base cabinet.
- * (1) SS-240 Sink base cabinet.
- * (1) SB-180 Storage cabinet.
- * (1) SB-180 Waste cabinet.
- * (1) LTS-25B Countertop.
- * (1) Delta single lever faucet with spray.
- * (1) 17"x 19" Stainless steel sink.
- * (2) Waste chutes.
- * (1) UWT-3324 Tub & Tray upper cabinet with adjustable tub & tray racks.
- * (2) UW-2418 Upper storage cabinets.
- * (2) UW-3024 Upper storage cabinets.

Dimensions

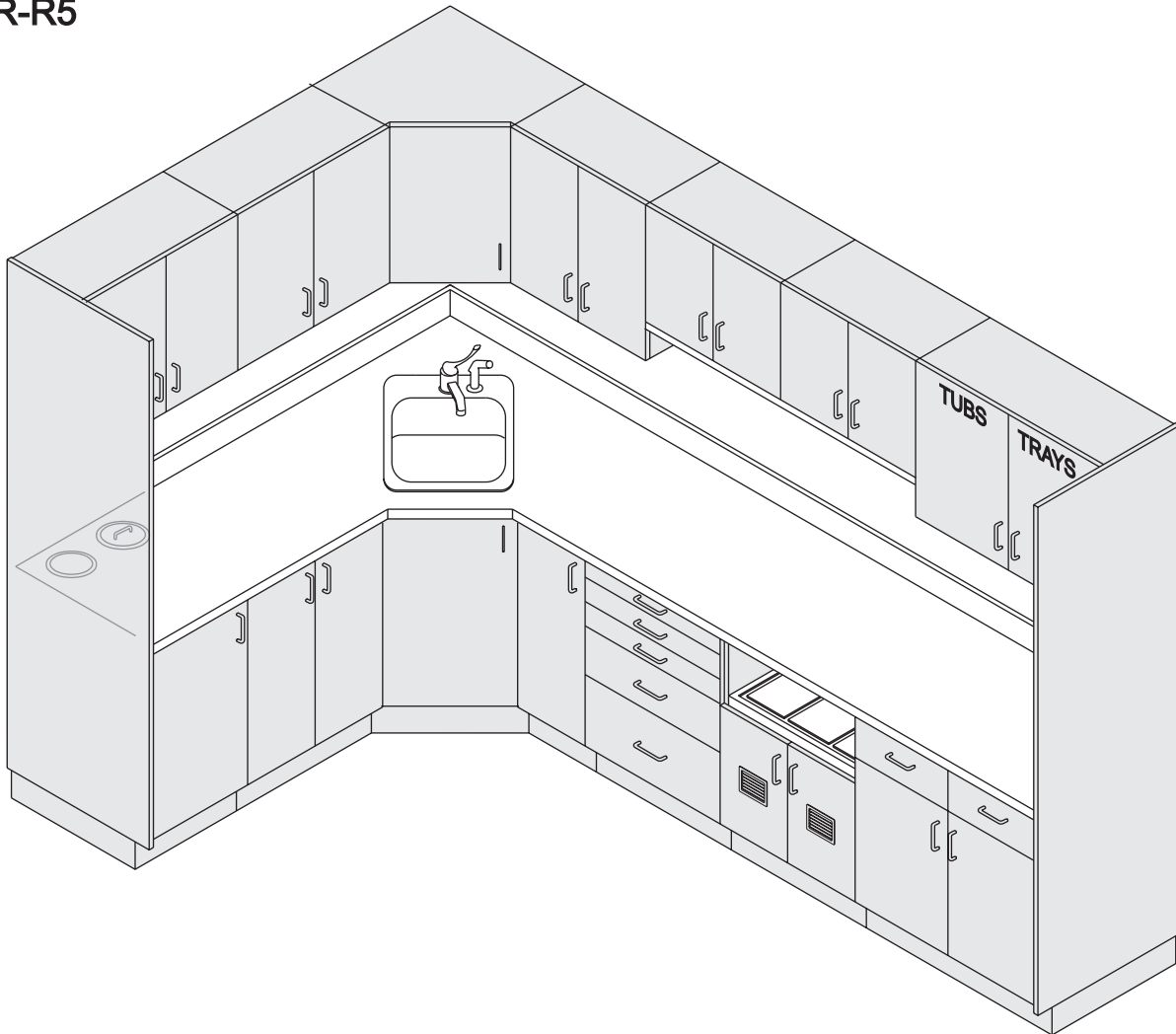
Length: 142 1/2"
 Depth: 25"
 Height: 84"

Options

- * Right or left hand layout.
- * 20"x 19" Stainless steel sink.
- * Delta Euro faucet with pullout spray.
- * Solid surface top with integral bowl and drops.
- * Chemical resistant laminate countertop.

Price \$11,223.00

STER-R5



STER-R2 Sterilization Center

Features

- * (1) SB-180 Waste cabinet.
- * (1) SB-240 Storage cabinet.
- * (1) SSC-361 One door corner Sink cabinet.
- * (1) SB-120 One door storage cabinet.
- * (1) SB-245 Five drawer base cabinet.
- * (1) SB-240SUC Sterile stack cabinet.
- * (1) SBT-330 Two door/ Two drawer base cabinet.
- * (1) LTS-25B Countertop.
- * (1) Delta single lever faucet with spray.
- * (1) 17" x 19" Stainless steel sink.
- * (2) Waste chutes.
- * (2) UW-2724 Upper storage cabinets.
- * (1) UWC-2424R Upper corner cabinet.
- * (1) UW2424 Upper storage cabinet.
- * (2) UW-2418 Upper storage cabinets.
- * (1) UWT-3324 Tub & Tray upper cabinet with adjustable tub & tray racks.

Dimensions

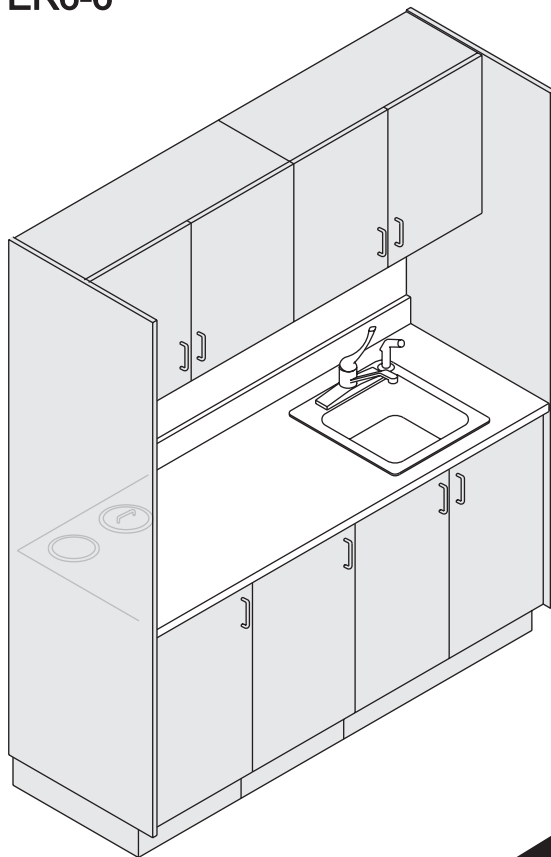
- Length: 78 3/4" x 129 3/4"
- Depth: 25"
- Height: 84"

Options

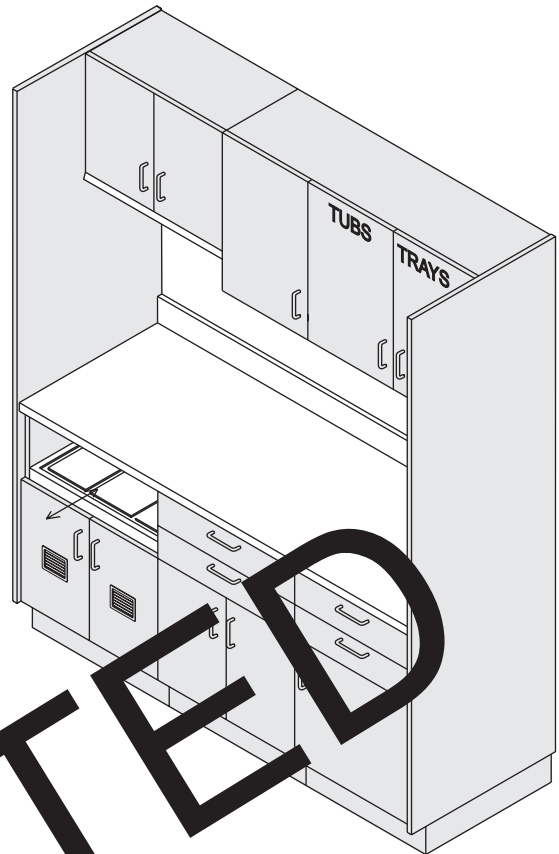
- * Right or left hand layout.
- * 20" x 19" Stainless steel sink.
- * Delta Euro faucet with pullout spray.
- * Solid surface top with integral bowl and drops.
- * Chemical resistant laminate countertop.

Price \$15,192.00

STER6-6



SOILED



CLEAN

STER6-6 Sterilization (Soiled Side)

Features

- * (1) SB-180 One door/waste cabinet.
- * (1) SB-190 One door/base cabinet.
- * (1) SS-210 Two door/sink cabinet.
- * (1) LTS-25B Countertop.
- * (1) 17"x 19" Stainless steel sink.
- * (1) Delta single lever faucet with spray.
- * (2) Waste chutes.
- * (1) UW3324 Upper cabinet.
- * (1) UW3624 Upper cabinet.

Dimensions (Each side)

- Length: 70 1/2"
- Depth: 25"
- Height: 84"

Price \$11,820.00

STER6-6 Sterilization (Clean Side)

Features

- * (1) SB-240SUC Sterile stack cabinet.
- * (1) SB-242 Two door/Two drawer base cabinet.
- * (1) SS-212 Two door/Two drawer base cabinet.
- * (1) LTS-25B Countertop.
- * (1) UW2418 Upper cabinet.
- * (1) UWT4524 Upper Tub/Tray cabinet with adjustable shelves and tub/tray racks.

Options

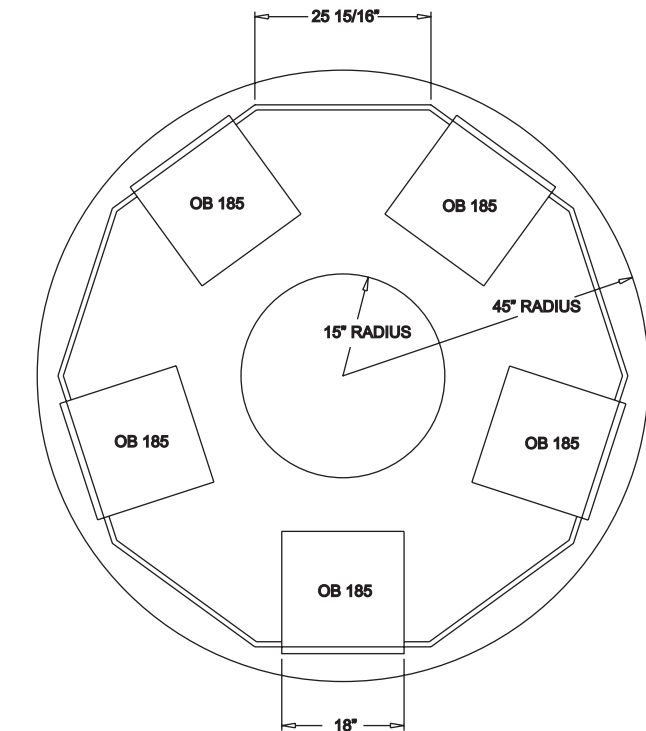
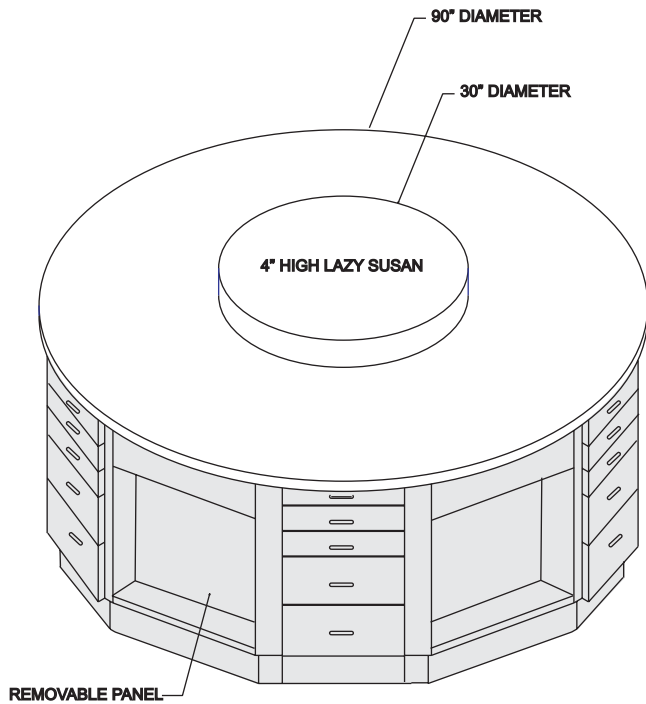
- * Right or left hand layout.
- * 20"x 19" Stainless steel sink.
- * Delta Euro faucet with pullout spray.
- * Solid surface top with integral bowl and drops.
- * Chemical resistant laminate countertop.

Modular & Custom Cabinets for the Orthodontic Profession





ORISR-01



ORISR-01 5 Bay Ortho Island \$13,769.00

Select Options

*FDD	Flip down drawer	\$165.00
*FIBOPT	Fiber Optics for one hand piece	\$602.00
*WBOT	Water bottle	\$204.00
*2HPA	2 Hand piece automatic unit	\$1,644.00
*ORIS-VAC	Suction added to delivery head	\$515.00

Select Countertop Options:

*Laminate countertop only Included

Select Colors

Countertop:
Cabinets:
PVC:
Pulls:

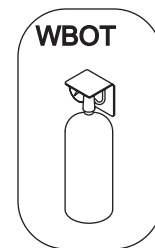
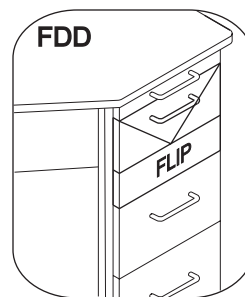
Cabinet Total.....\$

Dimensions

Diameter	90"
Lazy Susan	30"
Height:	33 1/2"

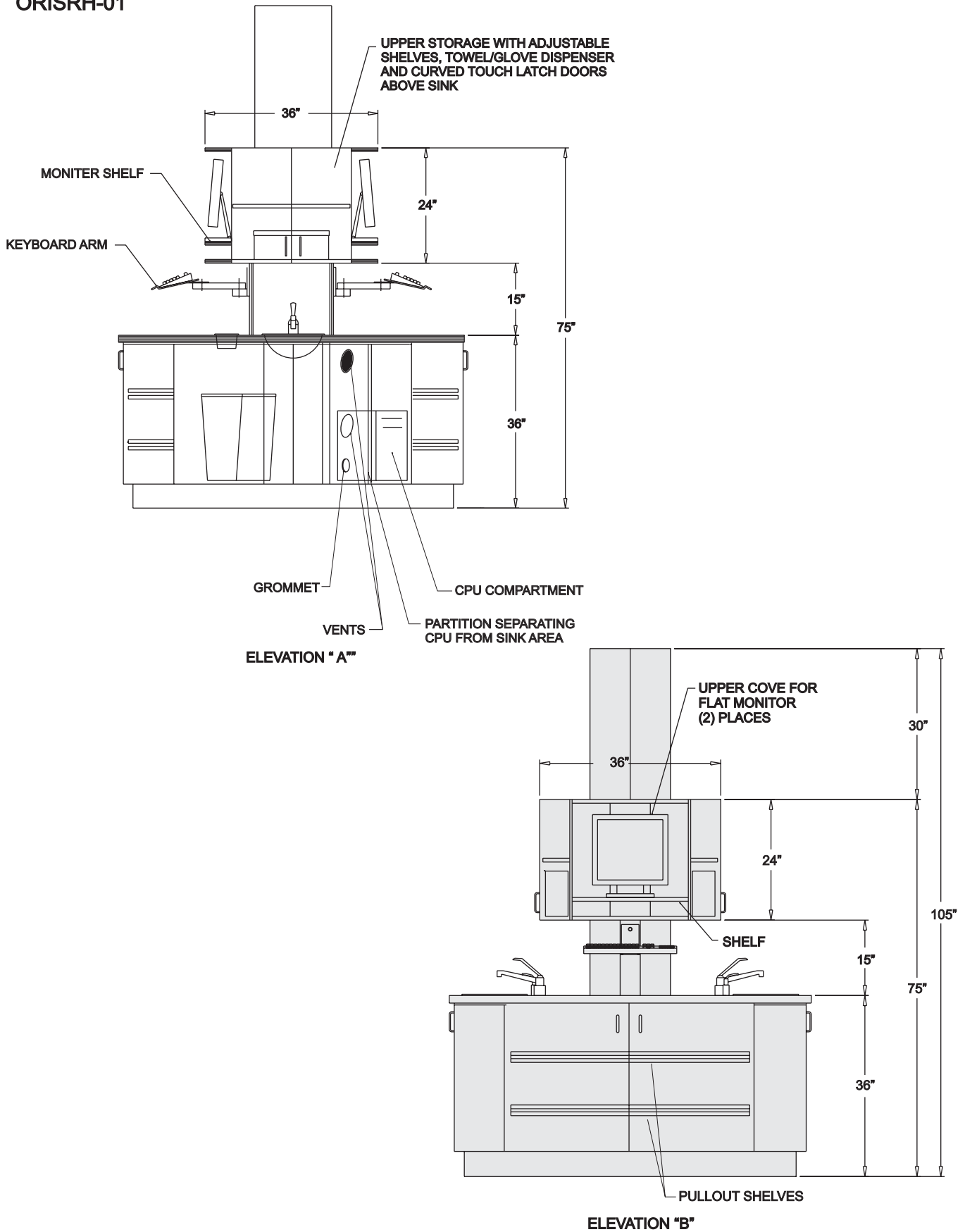
Features

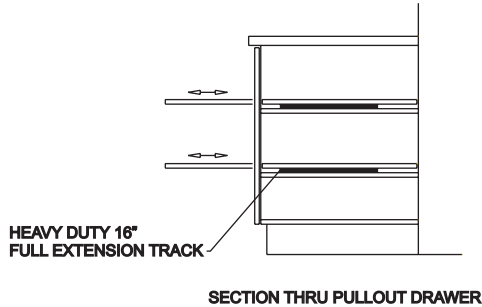
- * (5) Five drawer cabinets
- * 30" Lazy susan.
- * Previsions for five dental units.
- * Metabox drawer system
- * Separate base with leveling feet.
- * Easy access removable panels for dental unit utilities hook-up.
- * Available with 2 or 3 handpiece panel mounted units.



Customizing Available

ORISRH-01





ORISRH-01 Ortho Round Island \$19,527.00

Select Options

*TMC Tapmaster foot control \$472.00

Select Countertop options:

*Laminate countertop Included

Select Colors

Countertop:
Cabinets:
PVC:
Pulls:

Cabinet Total..... \$

Dimensions

Diameter: 72"
Overall Height: 105"
Counter Height: 36"

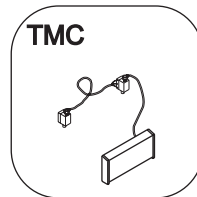
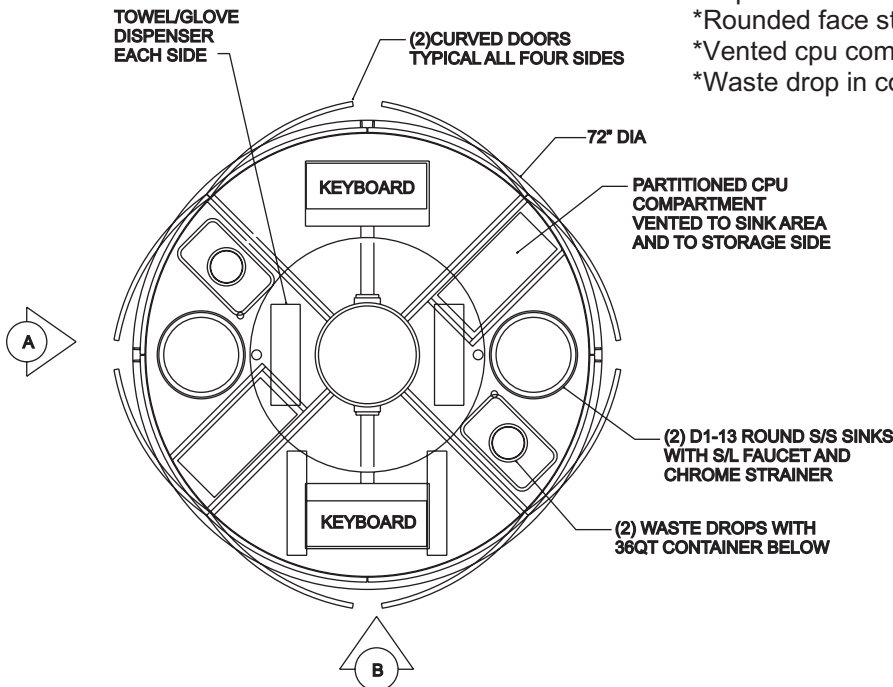
Features

Upper tower includes:

- *Provisions for two flat screen monitors.
- *Upper storage cabinet with towel glove dispenser.
- *Center column providing easy access for wiring.
- *Wall mounted keyboard arms.

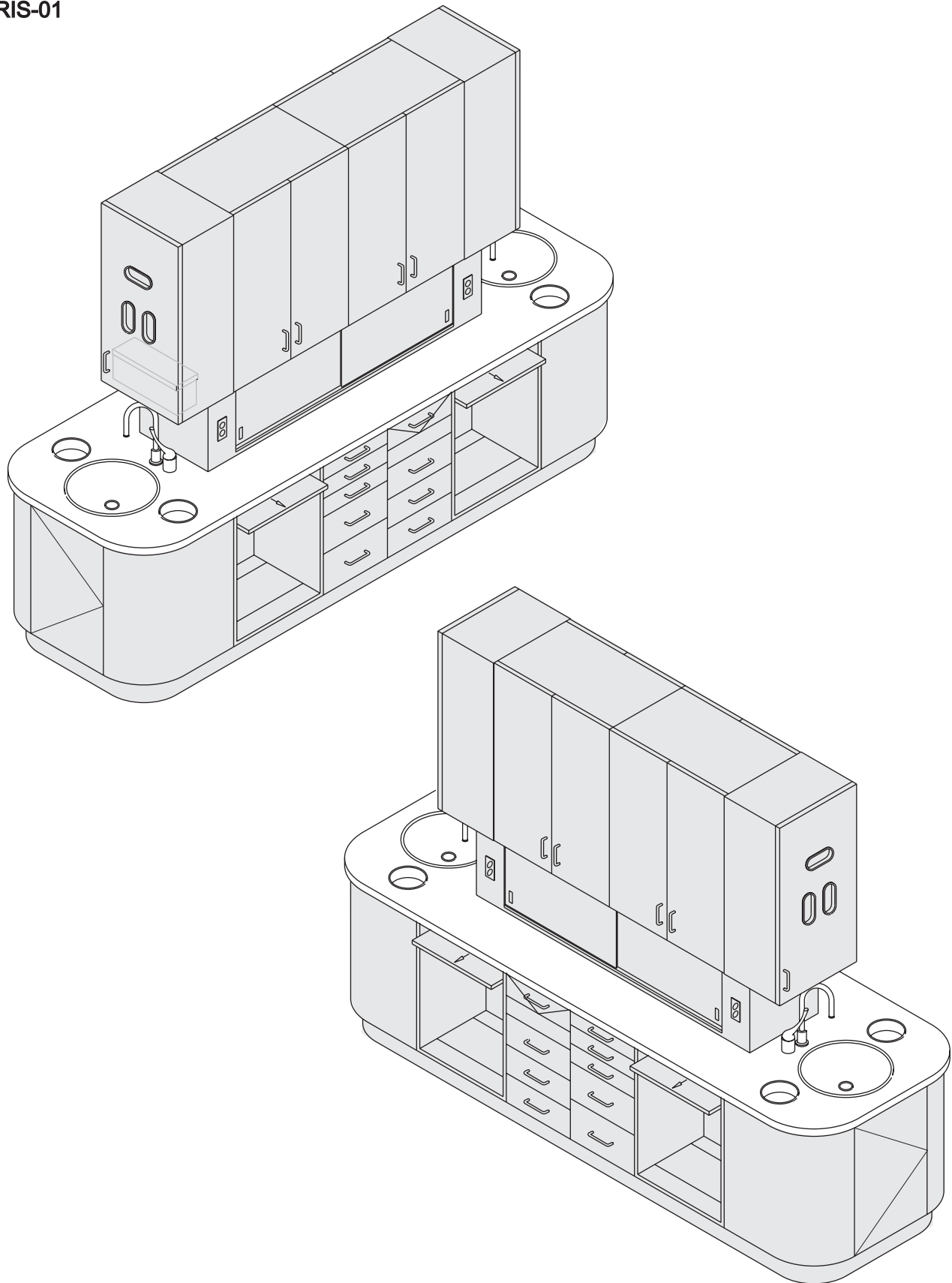
Base cabinet includes:

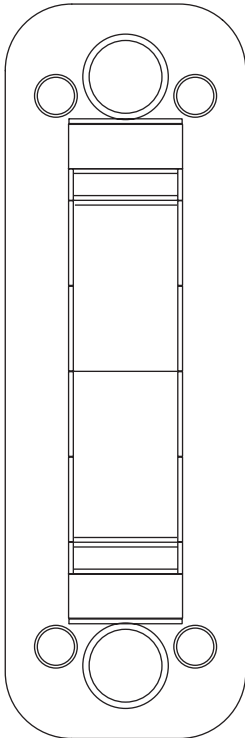
- *Rounded face sink cabinets.
- *13" Round stainless steel sinks with single lever faucet.
- *Separate base with leveling feet.
- *Rounded face storage cabinet with pullout shelves.
- *Vented cpu compartments.
- *Waste drop in countertop and 36qt container below.



Customizing Available

ORIS-01





ORIS-01 4 Bay Ortho Island \$19,400.00

Select Options

*OR-2HPA	3 Hand piece automatic dental unit	\$2,600.00
*WB	Water bottle	\$204.00
*TMC	Tapmaster foot control	\$472.00
*ORIS-VAC	Suction added to delivery head	\$515.00

Select Countertop options:

*Laminate countertop Included

Select Colors

Countertop:
Cabinets:
PVC:
Pulls:

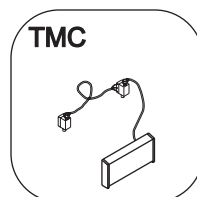
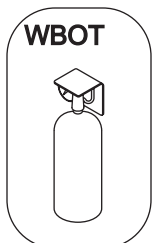
Cabinet Total..... \$

Dimensions

Length : 116"
Depth: 38"
Height: 75"
Counter Height: 33 1/2"

Features

- *4 banks of five drawer cabinet.
- *Upper pass-thru tray cabinet.
- *Provisions for four dental units.
- *Cut and towel dispenser at each sink.
- *Convenience outlets at each station.
- *Pass-thru upper storage cabinets.
- *Stainless steel waste drops at each station.
- *Gooseneck faucets.
- *3 glove dispensers at each sink.
- *Pass-thru storage at mid section.
- *Stainless steel sinks.
- *Separate base with leveling feet.



Customizing Available

ORC-C



ORC-C

Ortho Mobile Cart with computer
Storage and unit \$3,218.00
*Cart only (less unit) \$2,199.00

Select Options

*FDD	Flip down drawer	\$165.00
*FIBOPT	Fiber Optics	\$602.00
*UCH	Utility center housing/lid	\$189.00
*HLVCAN	HVE, LVE and vacuum canister	\$515.00
*WBOT	Water bottle	\$204.00
*ORC-C/MM	Monitor mount	\$319.00
*ORC-C/ISST	Solid surface top	\$865.00
*BASE1	Free standing base	\$235.00
*2HPA	2 Hand piece automatic (Upgrade)	\$625.00

Select Colors

Countertop:
Cabinets:
PVC:
Pulls:

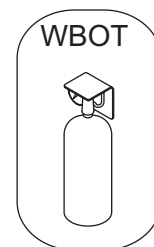
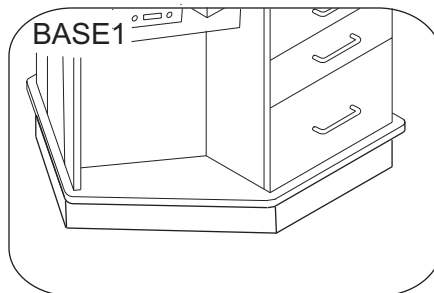
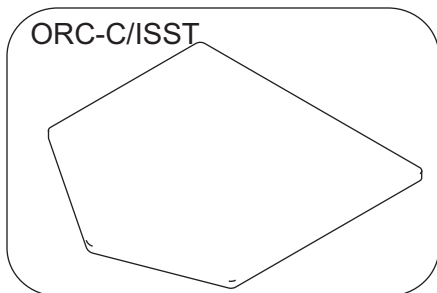
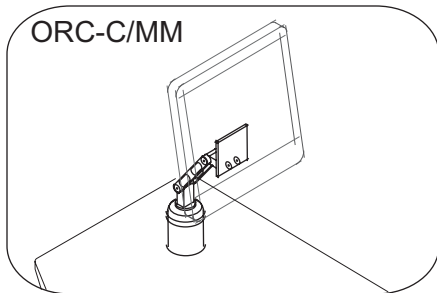
Cabinet Total.....\$

Dimensions

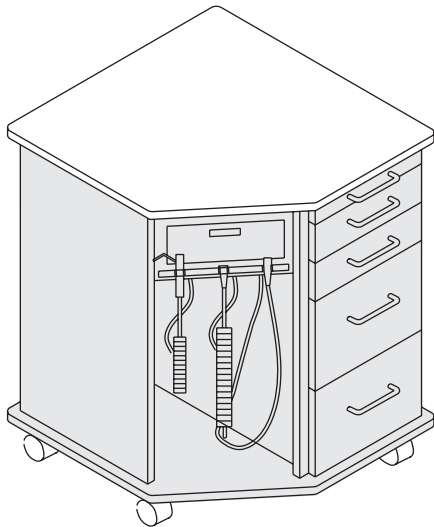
Height: 34"
Width: 29 1/4"
Depth: 28"

Features

- *Four drawer module.
- *Keyboard pullout.
- *Side access door.
- *Duplex outlet.
- *Metabox drawer system



ORC31



ORC31 W/ 2HPM



ORC31 W/O 2HPM

ORC31-2 HPM	Ortho Cart with 2 Hand Piece Manual Unit	\$2,652.00
	*Cart only (less unit)	\$1,607.00

Select Options

*FDD	Flip down drawer	\$165.00
*FIBOPT	Fiber Optics for one hand piece	\$602.00
*UCH	Utility center housing/lid	\$189.00
*HLVCAN	HVE, LVE and vacuum canister	\$515.00
*WBOT	Water bottle	\$204.00
*ORC-31/ISST	Solid surface top	\$795.00
*BASE2	Free standing base	\$200.00

Select Colors

Countertop:
Cabinets:
PVC:
Pulls:

Cabinet Total.....\$

Dimensions

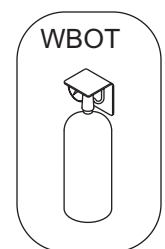
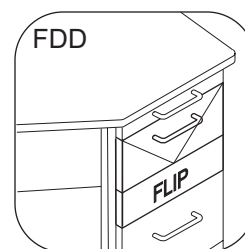
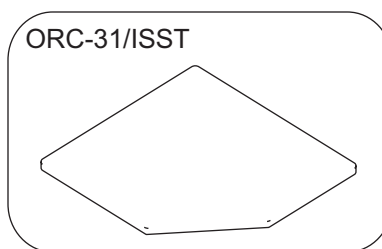
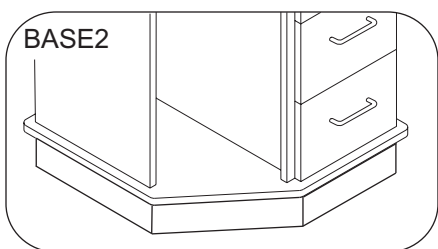
Height:	24"
Width:	25"
Depth:	31"

Features

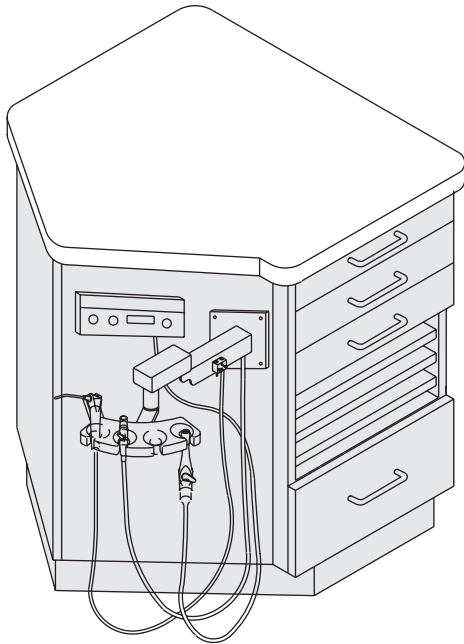
- *Four drawer module. (2deep/2shallow)
- *Rear access door.
- *Duplex outlet.
- *Metabox drawer system

2HPM Hand Piece Unit

- *2 Hand piece manual control. (1wet/1dry)
- *Non-retraction water coolant.
- *Master on/off with visual indicator.
- *Disc-type foot control.
- *Remote mounted hanging bar.
- *Three-way syringe.
- *Manual shut-off valves.
- *Air and water filters and regulators.
- *7' Umbilical.



OR31F



OR31F-2HPM	Ortho Cabinet with 2 Hand piece Manual Unit	\$2,676.00
	*Cart only (less unit)	\$1,657.00

Select Options

*FDD	Flip down drawer	\$165.00
*FIBOPT	Fiber Optics for one hand piece	\$602.00
*UCH	Utility center housing/lid	\$189.00
*HLVCAN	HVE, LVE and vacuum canister	\$515.00
*WBOT	Water bottle	\$204.00
*OR31F/ISST	Solid surface top	\$795.00
*2HPA	2 Hand piece automatic (Upgrade)	\$625.00

Select Colors Countertop:
 Cabinets:
 PVC:
 Pulls:

Cabinet Total..... \$

Dimensions

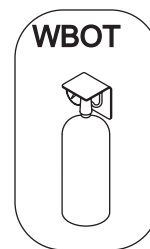
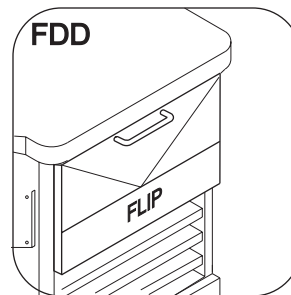
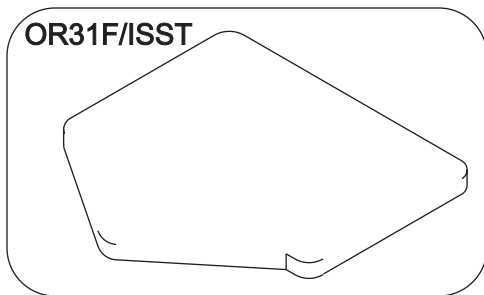
Height:	31 1/8"
Width:	29 1/4"
Depth:	27"

Features

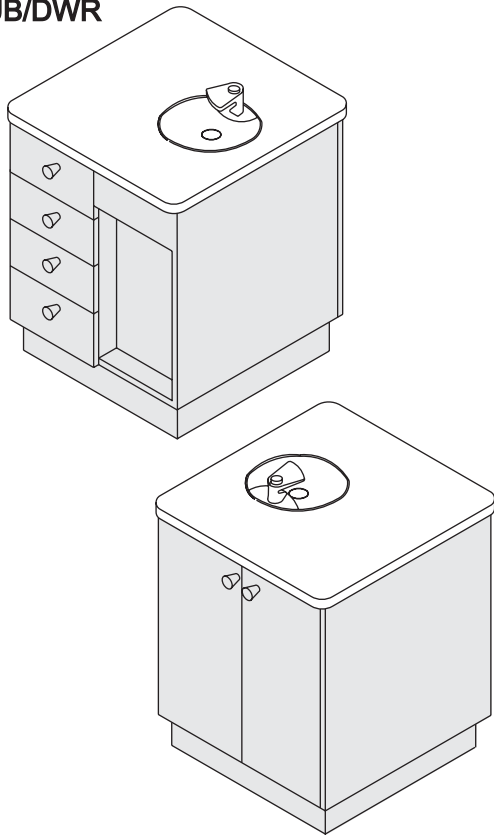
- *Four drawer module. (1deep/3shallow)
- *Rear access door.
- *Duplex outlet.
- *Metabox drawer system
- *Three removable shelves for tray storage.

2HPM Hand Piece Unit

- *2 Hand piece manual control. (1wet/1dry)
- *Non-retraction water coolant.
- *Master on/off with visual indicator.
- *Disc-type foot control.
- *Remote mounted hanging bar.
- *Three-way syringe.
- *Manual shut-off valves.
- *Air and water filters and regulators.
- *7' Umbilical.



BUB/DWR



BUB/DWR \$2,459.00

Select Options

*2HPM 2 Hand piece manual control \$1,019.00

Select Colors

Countertop:
Cabinets:
PVC:
Pulls:

Cabinet Total.....\$

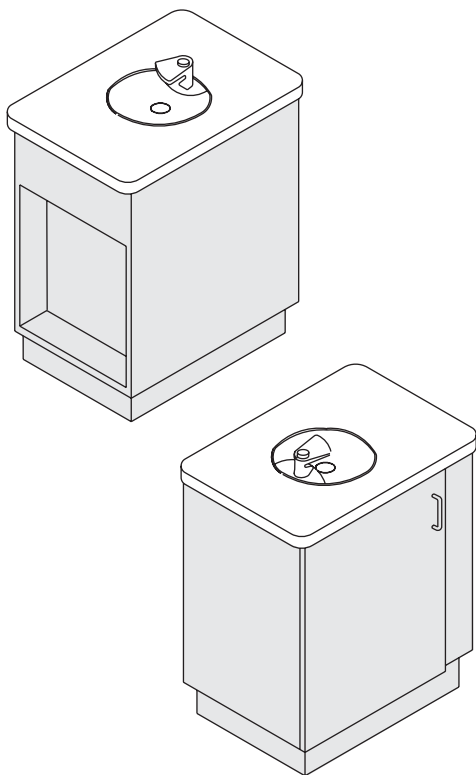
Dimensions

Height: 30"
Width: 26"
Depth: 27"

Features

- *9" Round stainless steel sink.
- *Four drawers.
- *Two access doors.
- *Metabox drawer system
- *Panel for control mount.

BUB



BUB \$2,078.00

Select Options

*2HPM 2 Hand piece manual control \$1,019.00
*HLVCAN HVE, LVE collection canister \$515.00

Select Colors

Countertop:
Cabinets:
PVC:
Pulls:

Cabinet total.....\$

Dimensions

Height: 30"
Width: 19"
Depth: 27"

Features

- *9" Round stainless steel sink.
- *Access door.
- *Control mounting panel.

Customizing Available

BUR-02

BUR-02

Brushing Station

\$3,568.00

Select Colors

Countertop:
Cabinets:
PVC:
Pulls:

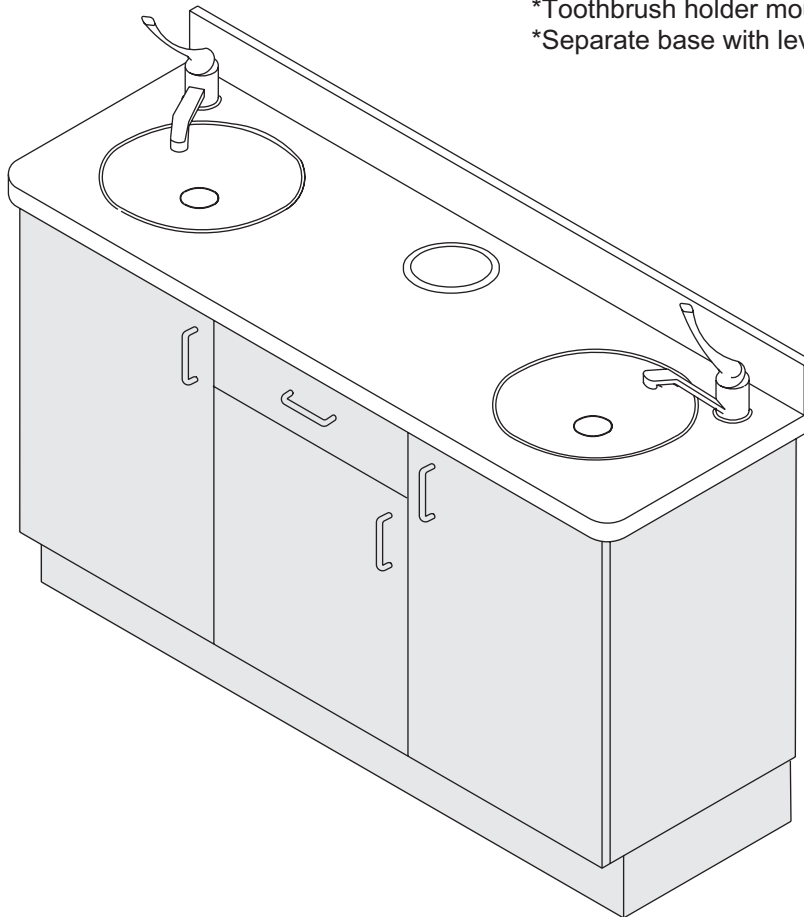
Cabinet Total.....\$

Dimensions

Width: 57"
Depth: 22"
Counter Height: 33 1/2"

Features

- *Double bowl brushing station.
- *Two 13" round stainless steel sinks with single lever faucets and chrome strainer.
- *Tooth brush drawer in center cabinet.
- *Waste drop with 36qt container below.
- *Toothbrush holder mounted in countertop.
- *Separate base with leveling feet.



BUR-01

BUR-01

Brushing Station

\$5,725.00

Select Colors

Countertop:
Cabinets:
PVC:
Pulls:

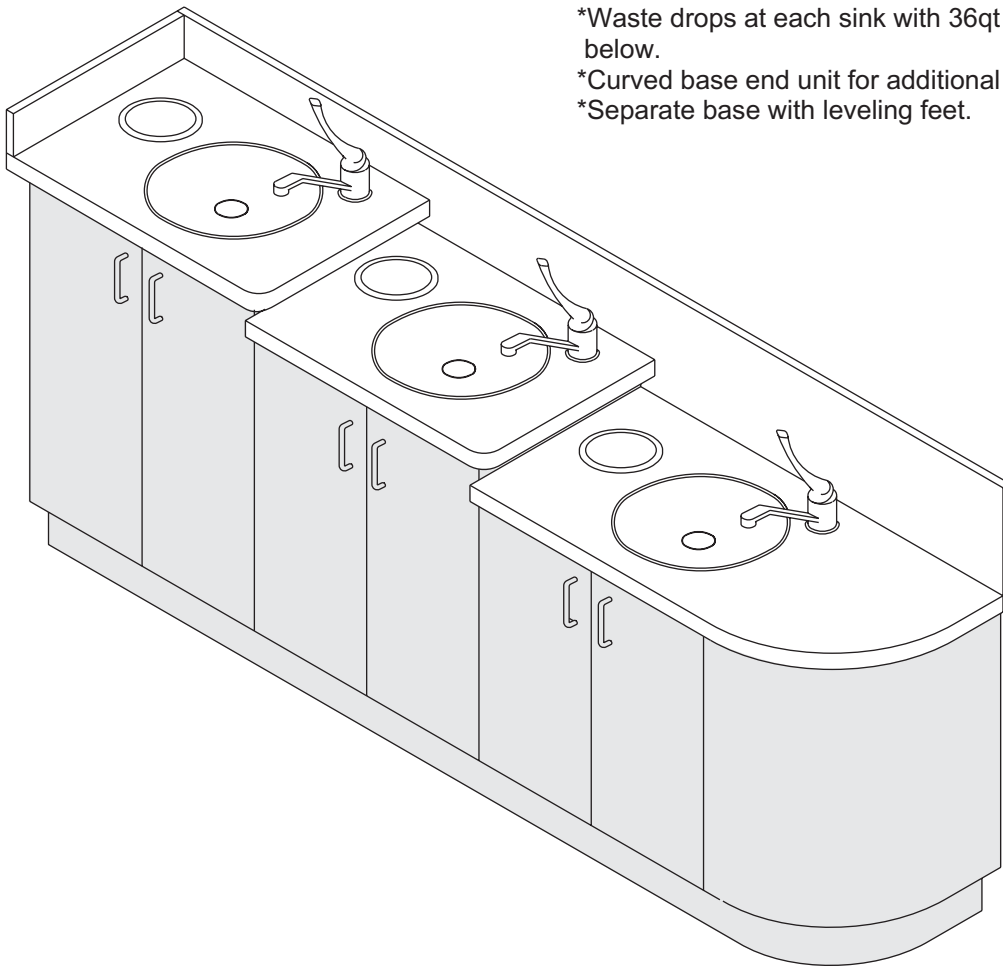
Cabinet Total.....\$

Dimensions

Height: 86 1/2"
Depth: 19"
Counter Height: 30 1/4" / 33 1/2" / 36 1/4"

Features

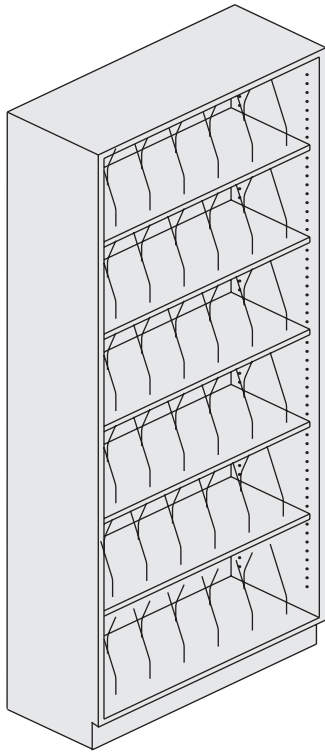
- *Three tier brushing station.
- *(3) 13" round stainless steel sinks with single lever faucets and chrome strainer.
- *Waste drops at each sink with 36qt container below.
- *Curved base end unit for additional storage.
- *Separate base with leveling feet.



Customizing Available

TSO-3013-84
OPEN CHART STORAGE

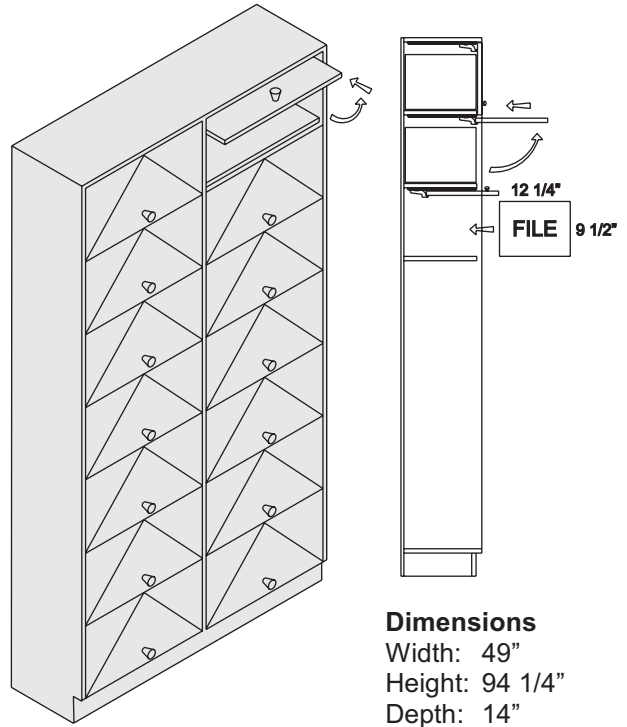
\$2,718.00



Dimensions
Width: 30"
Height: 84"
Depth: 13"

TSR-4914-93
CHART STORAGE
Chart file cabinet with retracting doors.

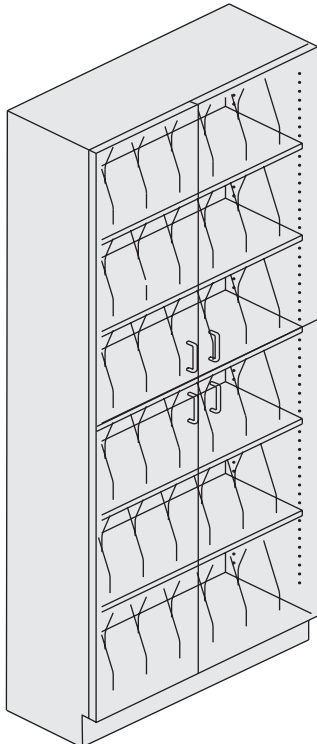
\$5,344.00



Dimensions
Width: 49"
Height: 94 1/4"
Depth: 14"

OTS-3313-84
CLOSED CHART STORAGE
Chart storage cabinet with four hinged doors.

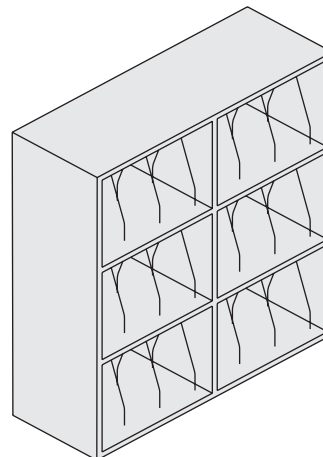
\$2,386.00



Dimensions
Width: 33"
height: 84"
Depth: 14"

UWCH-4239
WALL HUNG CHART STORAGE

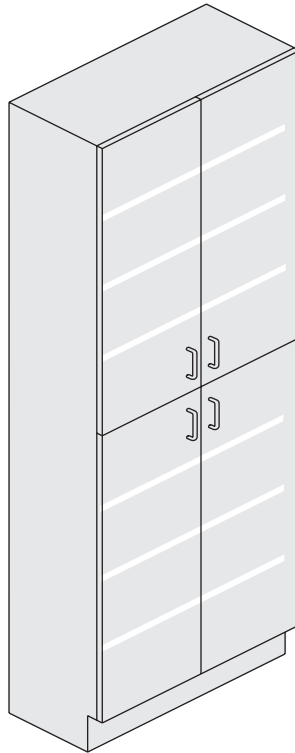
\$1,348.00



Dimensions
Width: 42"
height: 39"
Depth: 13"

TSM-2712-84
MODEL STORAGE CABINET
 with six adjustable shelves.

\$1,739.00

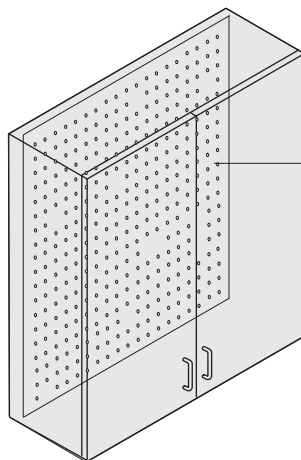


Dimensions

Width: 27"
 Height: 84"
 Depth: 12"

IM-3630
IMPRESSION TRAY
WALL HUNG STORAGE CABINET

\$934.00



Peg board is 11" back
 from face of shell

Dimensions

Width: 36"
 Height: 30"
 Depth: 13"

2 HAND PIECE MANUAL PANEL MOUNT UNIT #2HPM

2 Hand piece manual control. One wet, one dry
 Three-way syringe.
 Visual ON/OFF indicator.
 Disc type foot control.
 Remote hanger bar.
 Air & water filters and regulators.



\$1,019.00

3 HAND PIECE CART DELIVERY #3000-800

3 Hand piece automatic control.
 Three-way syringe.
 Adjustable mobile frame.
 Wet & dry foot control.
 Water quick disconnect.
 Hand piece flush system.
 Air & water filters and regulators with utility center.



\$2,714.00

2 HAND PIECE AUTOMATIC PANEL MOUNT UNIT #2HPA

2 Hand piece automatic control.
 Three-way syringe.
 Visual ON/OFF indicator.
 Disc type foot control.
 Remote hanger bar.
 Air & water filters and regulators.



\$1,644.00

DELUXE DUO CART #3000-700

3 Hand piece automatic control.
 Three-way syringe.
 Adjustable mobile frame.
 Wet & dry foot control.
 Water quick disconnect.
 Hand piece flush system.
 Air & water filters and regulators with utility center.
 Assistant's instrumentation.



\$3,714.00

3 HAND PIECE AUTOMATIC CONTROL #3HPA

3 Hand piece automatic control.
 Three-way syringe.
 Visual ON/OFF indicator.
 Disc type foot control.
 Remote hanger bar.
 Air & water filters and regulators.



\$1,750.00

3 HAND PIECE CART WITH VACUUM #3000-750

3 Hand piece automatic control.
 Three-way syringe.
 Adjustable mobile frame.
 Wet & dry foot control.
 Adjustable height frame.
 16"x 16" work surface.
 Air & water filters and regulators with utility center.
 Assistant's instrumentation.



\$2,375.00

3 HAND PIECE CONTROL HEAD #3HCH

3 Hand piece automatic control.
 Three-way syringe.
 Visual ON/OFF indicator.
 Disk type foot control.
 Remote hanger bar.
 Air & water filters and regulators
 Handpiece flush system.
 10' umbilical.



\$2,570.00

2 HAND PIECE WALL MOUNT UNIT #2000-210

2 Hand piece manual control. One wet, one dry
 Individual air/water controls.
 Disc type foot control.
 Air & water filters and regulators.
 Three-way syringe.
 7' Umbilical.



\$925.00

HAND PIECE ILLUMINATION SYSTEM #297-03

Includes all required components.
One straight gray tubing system will support up to 3 tubings.
110 and 220 volt available.



\$750.00

ASSISTANT'S ARM PACKAGE #2000-975

Arm mounts on edge of work surface and pivots.
Includes autoclavable SE, HVE and syringe vacuum canister with locking lid.



\$625.00

SWING ARM ASSISTANT'S PACKAGE #2000-925

Under counter mounting includes O.D. autoclavable SE, HVE with aseptic tubing syringe with 6" aseptic tubing and flow control block. Solis canister with screen. One piece molded hanger.



\$1,087.00

DELUXE CV KIT #2000-950

8" Flush mount hanger bar and hangers.
2 autoclavable HVE'S and 1 autoclavable SE vacuum canister with locking lid.



\$408.00

ORAL DRY CUP #228-30

Fits all valves with 7/16" ID
Beige autoclavable plastic.



\$20.00

STAINLESS STEEL TRAYS #200-01

6"x 9" \$66.00

9"x 13" \$86.00

Non skid pad \$6.00



PIEZO ULTRASONIC SCALER #295-01

Complete ready to use unit supplied with full installation kit and power supply.
Includes 2 autoclavable tips and handles.
Wrench provided for fast tip insertion and removal.
Clinical training video incl.



\$2,166.00

SYRINGE SPOOL VALVE #196-01

*Smooth lines enables thorough wipe down.
*Trim lightweight head reduces fatigue.
*Accepts standard autoclavable syringe tips.
*Quick tip release.



\$113.00

DESCRIPTION

MODEL

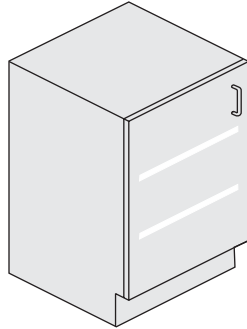
WIDTH

DEPTH

HEIGHT

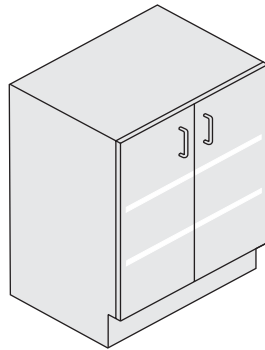
PRICE

1 DOOR STORAGE
base cabinet with two
adjustable shelves.
Add R or L to model number
to specify right or left hand
hinge. (Left hand shown)



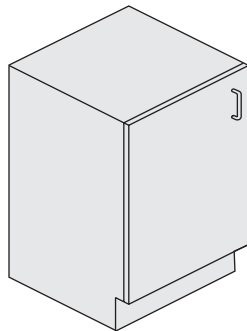
OB 120 (R/L)	12	18	32	\$ 700.00
OB 150 (R/L)	15	18	32	\$ 725.00
OB 180 (R/L)	18	18	32	\$ 751.00
OB 210 (R/L)	21	18	32	\$ 774.00

2 DOOR STORAGE
base cabinet with two
adjustable shelves.



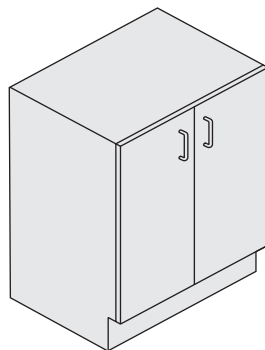
OB 240	24	18	32	\$ 885.00
OB 270	27	18	32	\$ 909.00
OB 300	30	18	32	\$ 933.00
OB 330	33	18	32	\$ 958.00
OB 360	36	18	32	\$ 980.00

1 DOOR SINK
base cabinet with bottom
access panel and open back.
No shelves.
Add R or L to model number
to specify right or left hand
hinge. (Left hand shown)

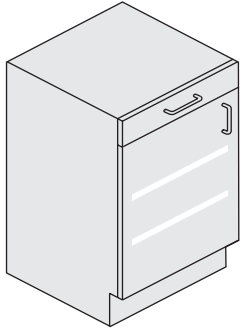
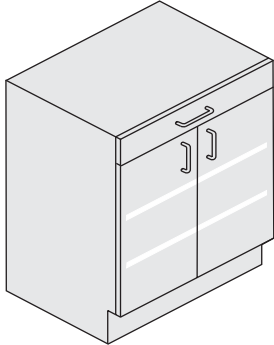
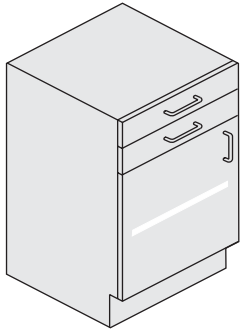
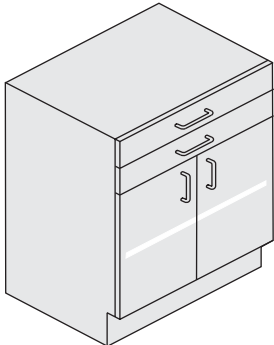


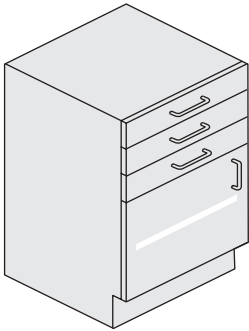
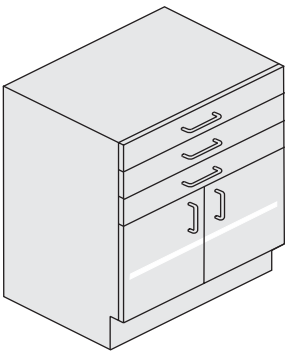


OS 150 (R/L)	15	18	32	\$ 676.00
OS 180 (R/L)	18	18	32	\$ 696.00
OS 210 (R/L)	21	18	32	\$ 719.00


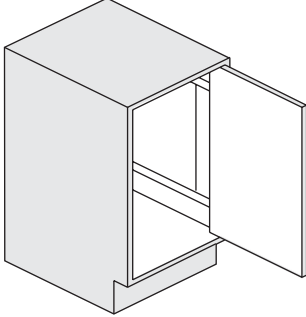
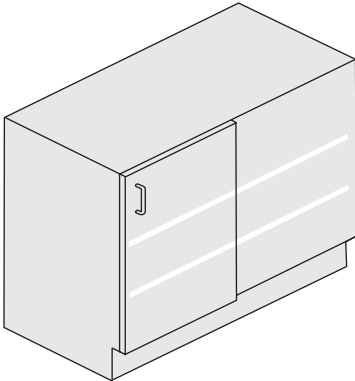
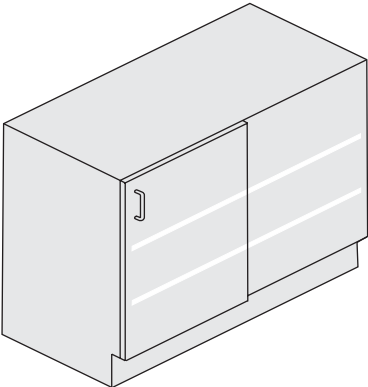
2 DOOR SINK
base cabinet with
bottom access panel
and open back.
No shelves.

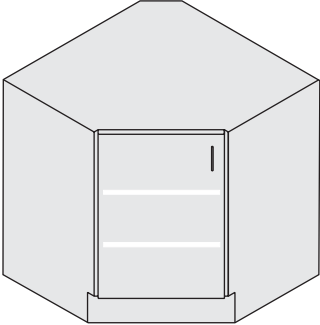
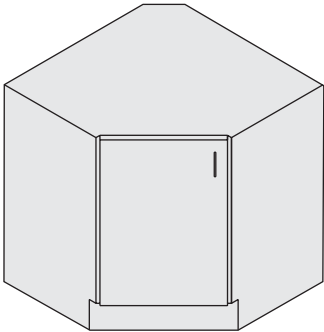
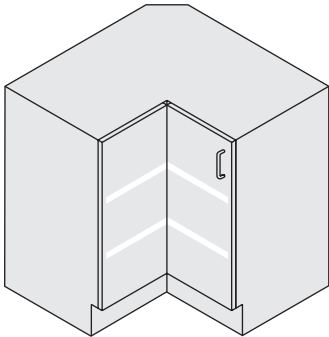
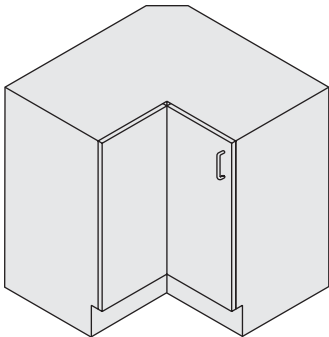


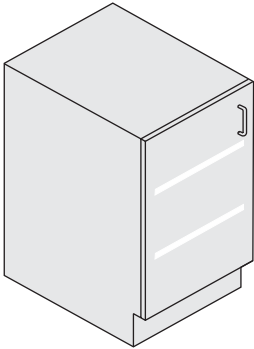
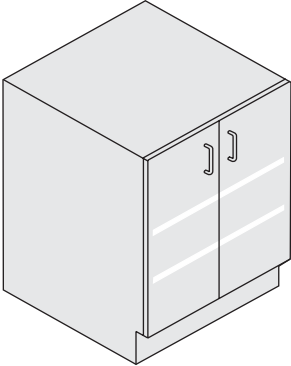
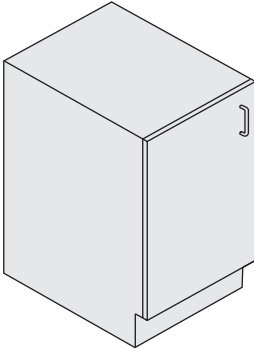
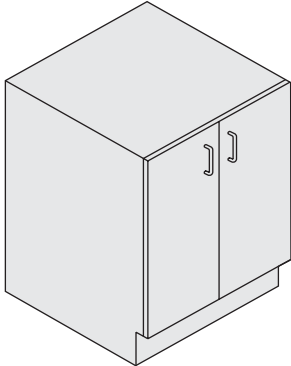
OS 240	24	18	32	\$ 826.00
OS 270	27	18	32	\$ 846.00
OS 300	30	18	32	\$ 869.00
OS 330	33	18	32	\$ 889.00
OS 360	36	18	32	\$ 910.00

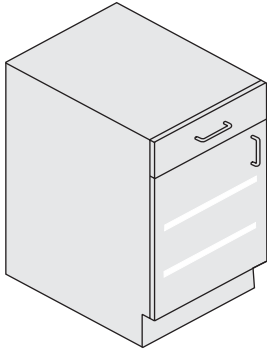
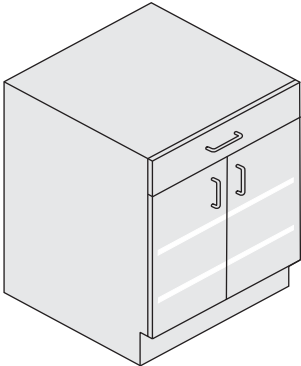
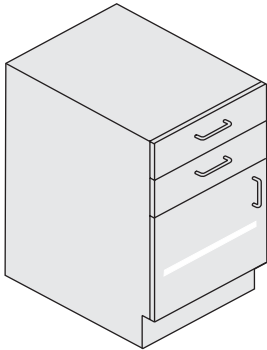
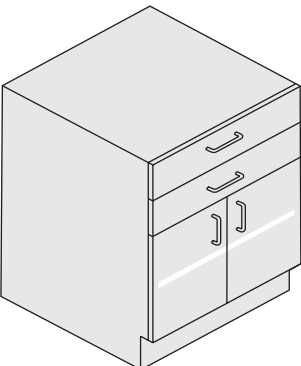
DESCRIPTION	MODEL	WIDTH	DEPTH	HEIGHT	PRICE
<p>1 DOOR, 1 DRAWER base cabinet with two adjustable shelves. Add R or L to model number to specify right or left hand hinge. (Left hand shown)</p> <p>Drawer face: (1) 3 5/8" high</p> 	OB 151 (R/L)	15	18	32	\$ 760.00
	OB 181 (R/L)	18	18	32	\$ 786.00
	OB 211 (R/L)	21	18	32	\$ 809.00
<p>2 DOOR, 1 DRAWER base cabinet with two adjustable shelves.</p> <p>Drawer face: (1) 3 5/8" high</p> 	OB 241	24	18	32	\$ 912.00
	OB 271	27	18	32	\$ 939.00
	OB 301	30	18	32	\$ 965.00
<p>1 DOOR, 2 DRAWER base cabinet with one adjustable shelf. Add R or L to model number to specify right or left hand hinge. (Left hand shown)</p> <p>Drawer face: (2) 3 5/8" high</p> 	OB 152 (R/L)	15	18	32	\$ 846.00
	OB 182 (R/L)	18	18	32	\$ 874.00
	OB 212 (R/L)	21	18	32	\$ 899.00
<p>2 DOOR, 2 DRAWER base cabinet with one adjustable shelf.</p> <p>Drawer face: (2) 3 5/8" high</p> 	OB 242	24	18	32	\$ 1,001.00
	OB 272	27	18	32	\$ 1,026.00
	OB 302	30	18	32	\$ 1,052.00

DESCRIPTION	MODEL	WIDTH	DEPTH	HEIGHT	PRICE
<p>1 DOOR, 3 DRAWER base cabinet with one adjustable shelf. Add R or L to model number to specify right or left hand hinge. (Left hand shown)</p> <p>Drawer face: (3) 3 5/8" high</p> 	OB 153 (R/L)	15	18	32	\$ 936.00
	OB 183 (R/L)	18	18	32	\$ 960.00
	OB 213 (R/L)	21	18	32	\$ 985.00
<p>2 DOOR, 3 DRAWER base cabinet with one adjustable shelf.</p> <p>Drawer face: (3) 3 5/8" high</p> 	OB 243	24	18	32	\$ 1,089.00
	OB 273	27	18	32	\$ 1,113.00
	OB 303	30	18	32	\$ 1,139.00
<p>4 DRAWER base cabinet.</p> <p>Drawer face: (1) 3 5/8" high (1) 7 3/8" high (1) 7" high (1) 8 1/4" high</p> 	OB 154	15	18	32	\$ 958.00
	OB 184	18	18	32	\$ 1,016.00
	OB 214	21	18	32	\$ 1,075.00
	OB 244	24	18	32	\$ 1,134.00
	OB 274	27	18	32	\$ 1,195.00
<p>5 DRAWER base cabinet.</p> <p>Drawer face: (3) 3 5/8" high (1) 7" high (1) 8 1/4" high</p> 	OB 155	15	18	32	\$ 1,007.00
	OB 185	18	18	32	\$ 1,072.00
	OB 215	21	18	32	\$ 1,138.00
	OB 245	24	18	32	\$ 1,201.00
	OB 275	27	18	32	\$ 1,269.00

DESCRIPTION	MODEL	WIDTH	DEPTH	HEIGHT	PRICE
<p>6 DRAWER base cabinet.</p> <p>Drawer face: (4) 3 5/8" high (2) 5 3/4" high</p> 	OB 156	15	18	32	\$ 1,061.00
	OB 186	18	18	32	\$ 1,131.00
	OB 216	21	18	32	\$ 1,200.00
	OB 246	24	18	32	\$ 1,269.00
	OB 276	27	18	32	\$ 1,340.00
<p>NITROUS CABINET with retracting door and open back. Add R or L to model number to specify right or left hand door (right hand shown)</p> 	ON 15 (R/L)	15	18	32	\$ 843.00
	ON 18 (R/L)	18	18	32	\$ 876.00
<p>BLIND CORNER base cabinet with one 18" wide door and two adjustable shelves Add R or L to model number to specify right or left hand door. (Left hand shown)</p> 	OBBC 36 (R/L)	36	18	32	\$ 911.00
<p>BLIND CORNER base cabinet with one 21" wide door and two adjustable shelves Add R or L to model number to specify right or left hand door. (Left hand shown)</p> 	OBBC 39 (R/L)	39	18	32	\$ 940.00

DESCRIPTION	MODEL	WIDTH	DEPTH	HEIGHT	PRICE
<p>1 DOOR CORNER base cabinet with two adjustable shelves. Add R or L to model number to specify right or left hand hinge. (left hand shown)</p> 	OBC 301 (R/L)	30x30	18	32	\$ 1,281.00
<p>1 DOOR CORNER SINK base cabinet with partial open back and bottom access panel. Add R or L to model number to specify right or left hand hinge. (Left hand shown)</p> 	OSC 301 (R/L)	30x30	18	32	\$ 1,132.00
<p>2 DOOR CORNER base cabinet with two adjustable shelves. Add R or L to model number to specify right or left hand hinge. (Left hand shown)</p> 	OBC 302 (R/L)	30x30	18	32	\$ 1,444.00
<p>2 DOOR CORNER SINK base cabinet with partial open back and bottom access panel. Add R or L to model number to specify right or left hand hinge. (Left hand shown)</p> 	OSC 302 (R/L)	30x30	18	32	\$ 1,295.00

DESCRIPTION	MODEL	WIDTH	DEPTH	HEIGHT	PRICE
<p>1 DOOR STORAGE base cabinet with two adjustable shelves. Add R or L to model number to specify right or left hand hinge. (Left hand shown)</p> 	SB 120 (R/L)	12	24	34 3/4	\$ 700.00
	SB 150 (R/L)	15	24	34 3/4	\$ 725.00
	SB 180 (R/L)	18	24	34 3/4	\$ 751.00
	SB 210 (R/L)	21	24	34 3/4	\$ 774.00
<p>2 DOOR STORAGE base cabinet with two adjustable shelves.</p> 	SB 240	24	24	34 3/4	\$ 885.00
	SB 270	27	24	34 3/4	\$ 909.00
	SB 300	30	24	34 3/4	\$ 933.00
	SB 330	33	24	34 3/4	\$ 958.00
	SB 360	36	24	34 3/4	\$ 980.00
<p>1 DOOR SINK base cabinet with bottom access panel and open back. No shelves. Add R or L to model number to specify right or left hand hinge. (Left hand shown)</p> 	SS 150 (R/L)	15	24	34 3/4	\$ 676.00
	SS 180 (R/L)	18	24	34 3/4	\$ 696.00
	SS 210 (R/L)	21	24	34 3/4	\$ 719.00
<p>2 DOOR SINK base cabinet with bottom access panel and open back. No shelves.</p> 	SS 240	24	24	34 3/4	\$ 826.00
	SS 270	27	24	34 3/4	\$ 846.00
	SS 300	30	24	34 3/4	\$ 869.00
	SS 330	33	24	34 3/4	\$ 889.00
	SS 360	36	24	34 3/4	\$ 910.00

DESCRIPTION	MODEL	WIDTH	DEPTH	HEIGHT	PRICE
<p>1 DOOR, 1 DRAWER base cabinet with two adjustable shelves. Add R or L to model number to specify right or left hand hinge. (Left hand shown)</p> <p>Drawer face: (1) 5 1/2" high</p> 	SB 151 (R/L)	15	24	34 3/4	\$ 777.00
	SB 181 (R/L)	18	24	34 3/4	\$ 803.00
	SB 211 (R/L)	21	24	34 3/4	\$ 831.00
<p>2 DOOR, 1 DRAWER base cabinet with two adjustable shelves.</p> <p>Drawer face: (1) 5 1/2" high</p> 	SB 241	24	24	34 3/4	\$ 943.00
	SB 271	27	24	34 3/4	\$ 970.00
	SB 301	30	24	34 3/4	\$ 995.00
<p>1 DOOR, 2 DRAWER base cabinet with one adjustable shelf. Add R or L to model number to specify right or left hand hinge. (Left hand shown)</p> <p>Drawer face: (2) 5 1/2" high</p> 	SB 152 (R/L)	15	24	34 3/4	\$ 869.00
	SB 182 (R/L)	18	24	34 3/4	\$ 896.00
	SB 212 (R/L)	21	24	34 3/4	\$ 923.00
<p>2 DOOR, 2 DRAWER base cabinet with one adjustable shelf.</p> <p>Drawer face: (2) 5 1/2" high</p> 	SB 242	24	24	34 3/4	\$ 1,032.00
	SB 272	27	24	34 3/4	\$ 1,059.00
	SB 302	30	24	34 3/4	\$ 1,085.00

DESCRIPTION

MODEL

WIDTH

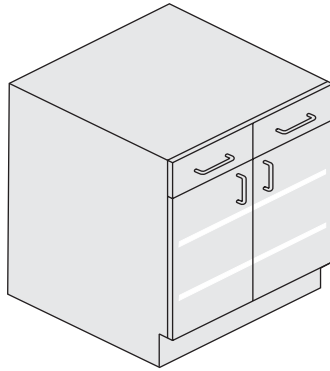
DEPTH

HEIGHT

PRICE

2 DOOR, 2 DRAWER
base cabinet with
two drawers and
two adjustable shelf.

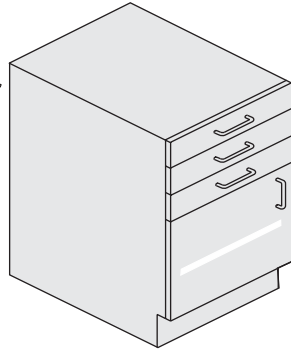
Drawer face:
(2) 5 1/2" high



SBT 240	24	24	34 3/4	\$ 1,079.00
SBT 270	27	24	34 3/4	\$ 1,110.00
SBT 300	30	24	34 3/4	\$ 1,140.00
SBT 330	33	24	34 3/4	\$ 1,173.00
SBT 360	36	24	34 3/4	\$ 1,202.00

1 DOOR, 3 DRAWER
base cabinet with
one adjustable shelf.
Add R or L to model number
to specify right or left hand
hinge. (Left hand shown)

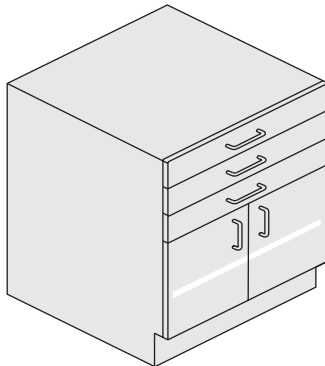
Drawer face:
(3) 3 5/8" high



SB 153 (R/L)	15	24	34 3/4	\$ 959.00
SB 183 (R/L)	18	24	34 3/4	\$ 985.00
SB 213 (R/L)	21	24	34 3/4	\$ 1,013.00

2 DOOR, 3 DRAWER
base cabinet with
one adjustable shelf.

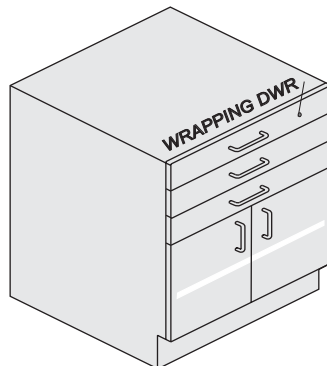
Drawer face:
(3) 3 5/8" high



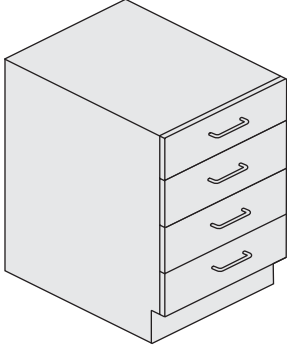
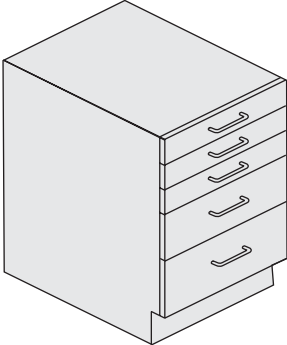
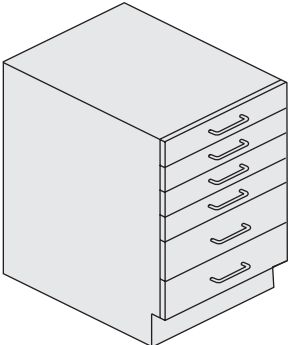
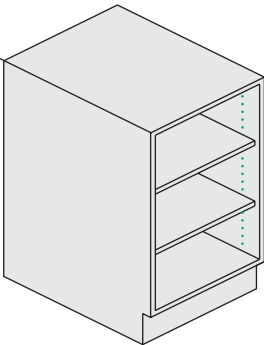
SB 243	24	24	34 3/4	\$ 1,124.00
SB 273	27	24	34 3/4	\$ 1,148.00
SB 303	30	24	34 3/4	\$ 1,174.00

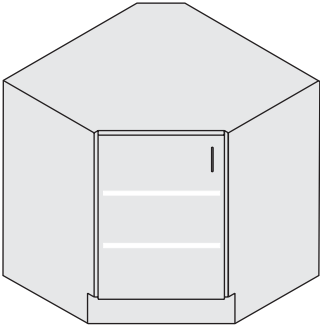
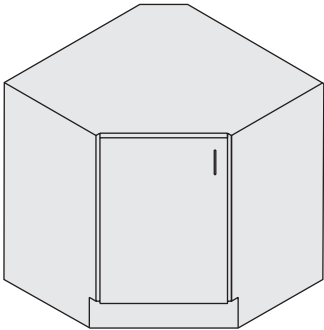
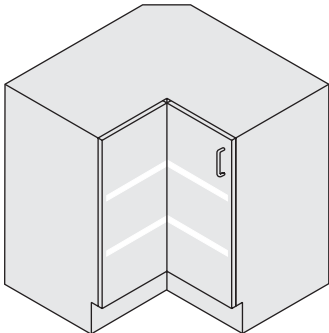
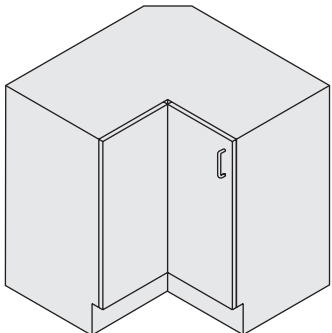
2 DOOR, 3 DRAWER
base cabinet with
one wrapping drawer
with acrylic paper tray.
two instrument drawers
and one adjustable shelf.

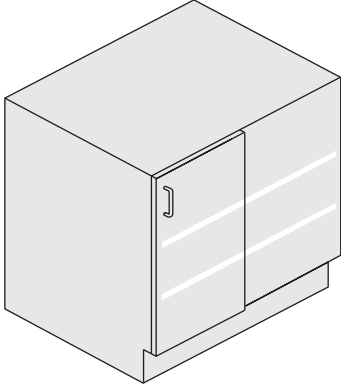
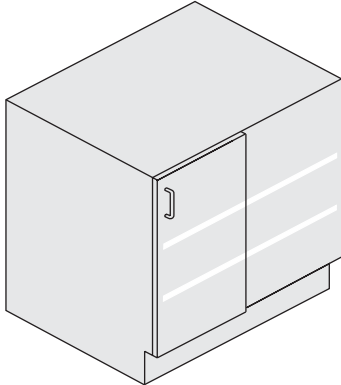
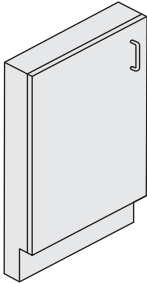
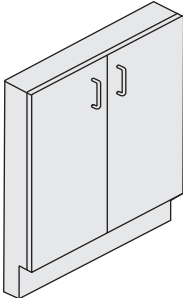
Drawer face:
(3) 3 5/8" high

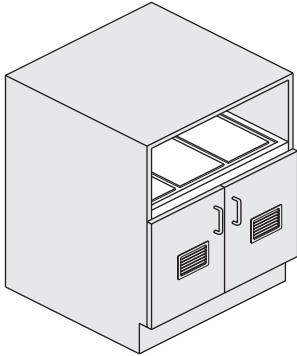
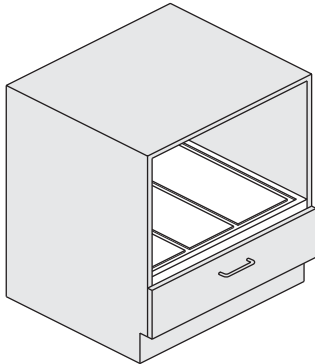
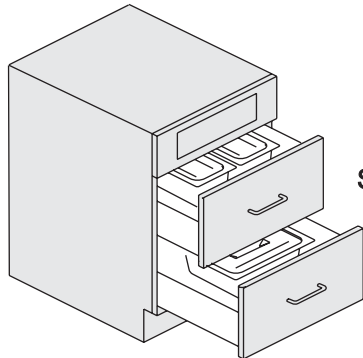
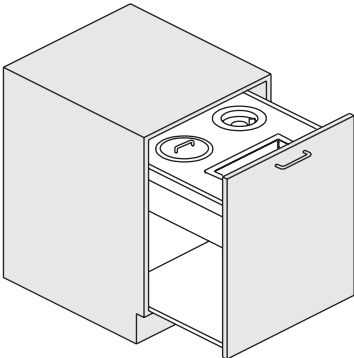


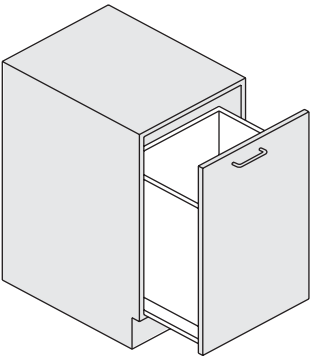
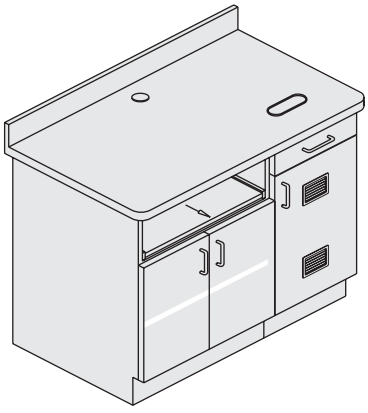
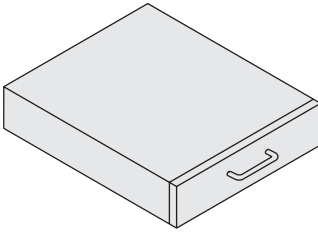
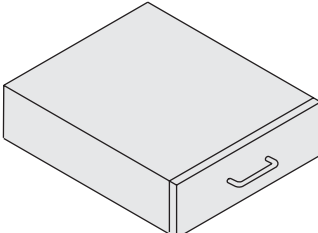
SB 243W	24	24	34 3/4	\$ 1,246.00
---------	----	----	--------	-------------

DESCRIPTION	MODEL	WIDTH	DEPTH	HEIGHT	PRICE	
4 DRAWER base cabinet. Drawer face: (4) 7 1/4" high		SB 154	15	24	34 3/4	\$ 987.00
	SB 184	18	24	34 3/4	\$ 1,049.00	
	SB 214	21	24	34 3/4	\$ 1,111.00	
	SB 244	24	24	34 3/4	\$ 1,176.00	
	SB 274	27	24	34 3/4	\$ 1,239.00	
5 DRAWER base cabinet. Drawer face: (3) 3 5/8" high (1) 7 3/8" high (1) 10 5/8" high		SB 155	15	24	34 3/4	\$ 1,007.00
	SB 185	18	24	34 3/4	\$ 1,072.00	
	SB 215	21	24	34 3/4	\$ 1,138.00	
	SB 245	24	24	34 3/4	\$ 1,201.00	
	SB 275	27	24	34 3/4	\$ 1,269.00	
6 DRAWER base cabinet. Drawer face: (4) 3 5/8" high (1) 6 7/8" high (1) 7 3/8" high		SB 156	15	24	34 3/4	\$ 1,061.00
	SB 186	18	24	34 3/4	\$ 1,131.00	
	SB 216	21	24	34 3/4	\$ 1,200.00	
	SB 246	24	24	34 3/4	\$ 1,269.00	
	SB 276	27	24	34 3/4	\$ 1,340.00	
OPEN with two adjustable shelves.		SBO 150	15	23	34 3/4	\$ 800.00
	SBO 180	18	23	34 3/4	\$ 861.00	
	SBO 210	21	23	34 3/4	\$ 905.00	
	SBO 240	24	23	34 3/4	\$ 964.00	
	SBO 270	27	23	34 3/4	\$ 1,047.00	

DESCRIPTION	MODEL	WIDTH	DEPTH	HEIGHT	PRICE
<p>1 DOOR CORNER base cabinet with two adjustable shelves. Add R or L to model number to specify right or left hand hinge. (left hand shown)</p> 	SBC 361 (R/L)	36x36	24	34 3/4	\$ 1,456.00
<p>1 DOOR CORNER SINK base cabinet with partial open back and bottom access panel. Add R or L to model number to specify right or left hand hinge. (Left hand shown)</p> 	SSC 361 (R/L)	36x36	24	34 3/4	\$ 1,173.00
<p>2 DOOR CORNER base cabinet with two adjustable shelves. Add R or L to model number to specify right or left hand hinge. (Left hand shown)</p> 	SBC 362 (R/L)	36x36	24	34 3/4	\$ 1,637.00
<p>2 DOOR CORNER SINK base cabinet with partial open back and bottom access panel. Add R or L to model number to specify right or left hand hinge. (Left hand shown)</p> 	SSC 362 (R/L)	36x36	24	34 3/4	\$ 1,353.00

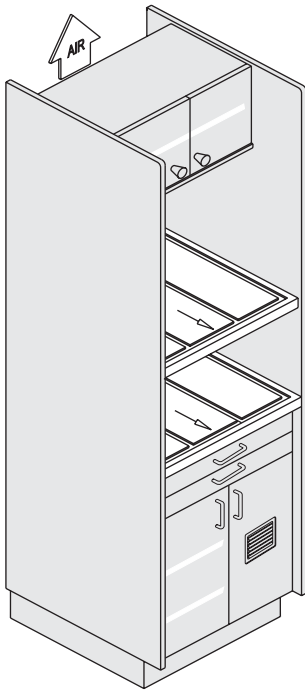
DESCRIPTION	MODEL	WIDTH	DEPTH	HEIGHT	PRICE
<p>BLIND CORNER base cabinet with one 18" wide door and two adjustable shelves. Add R or L to model number to specify right or left hand door. (Left hand shown)</p> 	SBBC 39 (R/L)	39	24	34 3/4	\$ 958.00
<p>BLIND CORNER base cabinet with one 21" wide door and two adjustable shelves. Add R or L to model number to specify right or left hand door. (Left hand shown)</p> 	SBBC 42 (R/L)	42	24	34 3/4	\$ 999.00
<p>1 DOOR FRAME FRONT false cabinet front with one door. Add R or L to model number to specify right or left hand hinge. (Left hand shown)</p> 	FFK 150 (R/L)	15	4	34 3/4	\$ 258.00
	FFK 180 (R/L)	18	4	34 3/4	\$ 428.00
	FFK 210 (R/L)	21	4	34 3/4	\$ 501.00
<p>2 DOOR FRAME FRONT false cabinet front with two doors.</p> 	FFK 240	24	4	34 3/4	\$ 580.00
	FFK 270	27	4	34 3/4	\$ 648.00
	FFK 300	30	4	34 3/4	\$ 713.00
	FFK 330	33	4	34 3/4	\$ 779.00
	FFK 360	36	4	34 3/4	\$ 845.00

DESCRIPTION	MODEL	WIDTH	DEPTH	HEIGHT	PRICE
<p>STATIM CABINET with two doors and one thermal formed water resistant pullout tray. (12" opening) for statim or (16" opening) for autoclave.</p> <p>All plywood construction.</p> 	SB 240S-UC	24	24	34 3/4	\$ 1,513.00
<p>HYDRIM CABINET with one pullout shelf and one drawer.</p> <p>Drawer face: (1) 6 3/4" high</p> 	SB 270-H	27	24	34 3/4	\$ 1,441.00
<p>ULTRASONIC CABINET shown with optional cold sterile drawer inserts. Please supply ultrasonic dims. And panel size.</p> <p>Refer to accessories section for pricing of cold sterile tubs.</p> 	SB-182/UL	18	24	34 3/4	\$ 939.00
<p>INFECTIOUS WASTE WITH BIO-HAZARD waste drop w/container, sharps & tray dump chute.</p> 	SIW-18	18	24	34 3/4	\$ 1,544.00
	SIW-21	21	24	34 3/4	\$ 1,574.00
	SIW-24	24	24	34 3/4	\$ 1,604.00

DESCRIPTION	MODEL	WIDTH	DEPTH	HEIGHT	PRICE	
WASTE CABINET with full height pullout bin. Bin sizes: SWC-18* 13 1/2"x 18 1/2" SWC-21* 16 1/2"x 18 1/2"		SWC-18	18	24	34 3/4	\$ 900.00
		SWC-21	21	24	34 3/4	\$ 920.00
SCAN-X CABINET with slide out eraser compartment, cpu compartment, waste drawer and storage.		SCX-42	42	25	36	\$ 2,433.00
UNDER COUNTER DRAWER Single drawer mounted to underside of counter top. Drawer face: 3 5/8" high		SUC-153	15	18	4	\$ 250.00
		SUC-183	18	18	4	\$ 264.00
		SUC-213	21	18	4	\$ 278.00
		SUC-243	24	18	4	\$ 292.00
		SUC-273	27	18	4	\$ 309.00
		SUC-303	30	18	4	\$ 321.00
UNDER COUNTER DRAWER Single drawer mounted to underside of counter top. Drawer face: 5 1/2" high		SUC-156	15	18	5 7/8	\$ 272.00
		SUC-186	18	18	5 7/8	\$ 286.00
		SUC-216	21	18	5 7/8	\$ 300.00
		SUC-246	24	18	5 7/8	\$ 315.00
		SUC-276	27	18	5 7/8	\$ 330.00
		SUC-306	30	18	5 7/8	\$ 343.00

STERILIZATION - LAB

ACS24-1



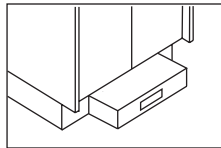
ACS24-1 \$2,926.00

Features

- *Open compartments for one Autoclave and one Statim unit.
- *Thermal formed water resistant trays.
- *Heat shields above Autoclaves.
- *Vented door for Statim bottle
- *Upper and lower storage cabinets.
- *Wrapping drawer.

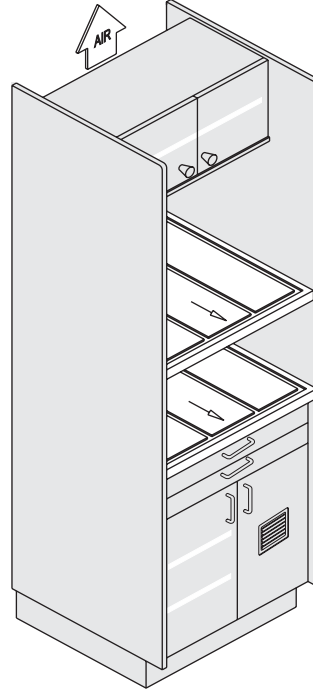
Dimensions

Width: 24"
Height: 84"
Depth: 25 1/4"



Optional
Pullout Step \$418.00

ACS27-1



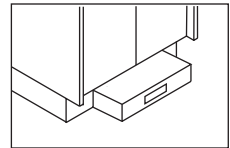
ACS27-1 \$2,984.00

Features

- *Open compartments for one Autoclave and one Statim unit.
- *Thermal formed water resistant trays.
- *Heat shields above Autoclaves.
- *Vented door for Statim bottle.
- *Upper and lower storage cabinets.
- *Wrapping drawer.

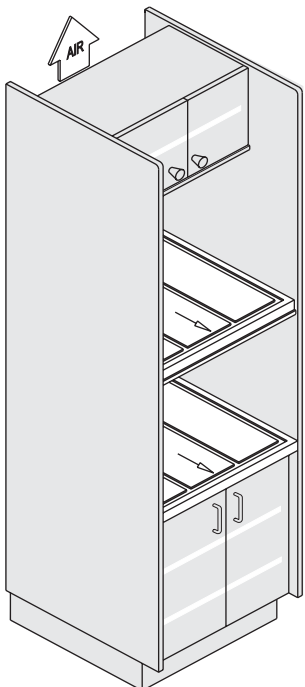
Dimensions

Width: 27"
Height: 84"
Depth: 26 1/2"



Optional
Pullout Step \$418.00

ACS24-2



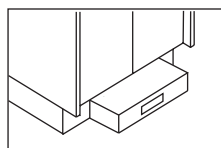
ACS24-2 \$3,150.00

Features

- *Open compartments for two Autoclaves.
- *Thermal formed water resistant trays.
- *Heat shields above Autoclaves.
- *Upper and lower storage cabinets.

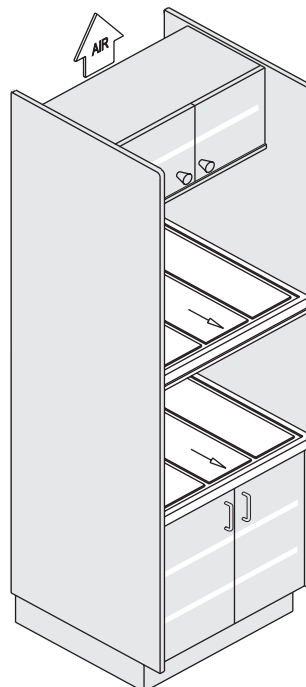
Dimensions

Width: 24"
Height: 84"
Depth: 25 1/4"



Optional
Pullout Step \$418.00

ACS27-2



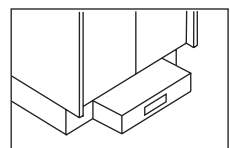
ACS27-2 \$3,208.00

Features

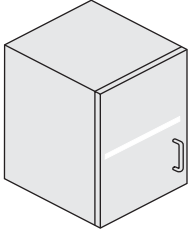
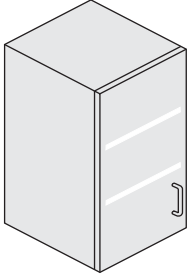
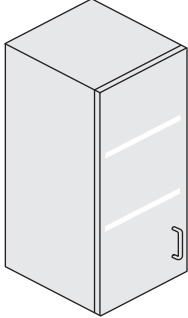
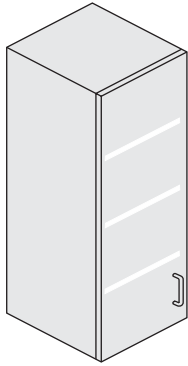
- *Open compartments for two Autoclaves.
- *Thermal formed water resistant trays.
- *Heat shields above Autoclaves.
- *Upper and lower storage cabinets.

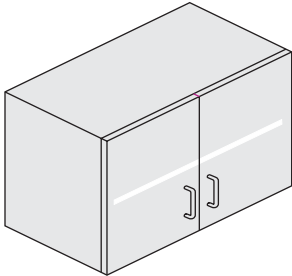
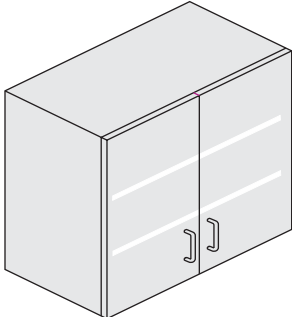
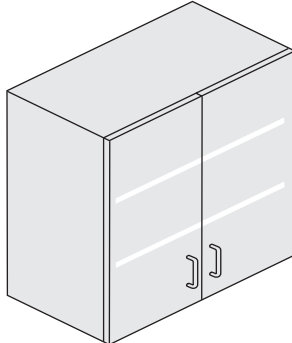
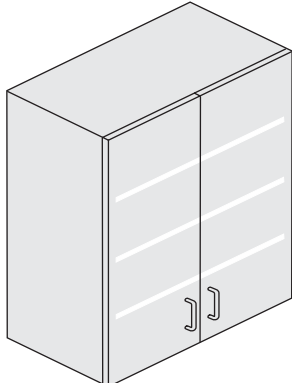
Dimensions

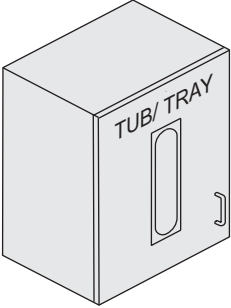
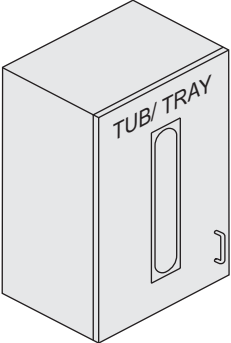
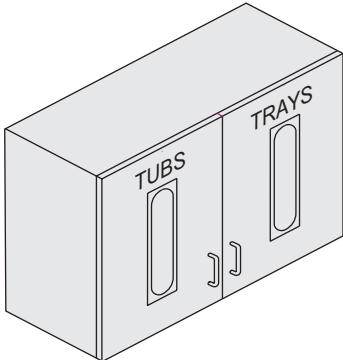
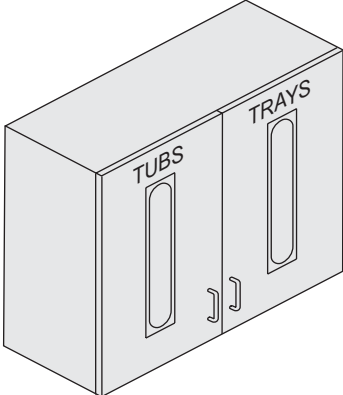
Width: 27"
Height: 84"
Depth: 26 1/2"

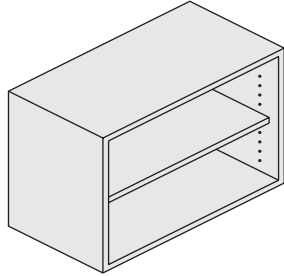
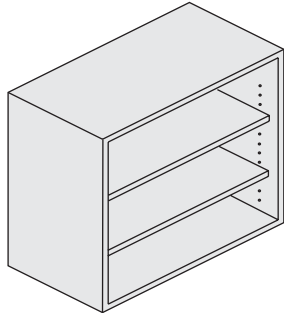
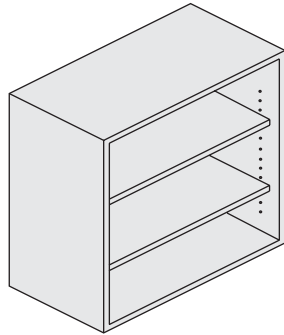
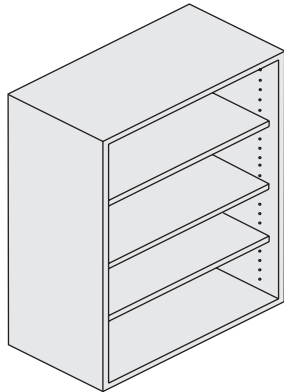


Optional
Pullout Step \$418.00

DESCRIPTION	MODEL	WIDTH	DEPTH	HEIGHT	PRICE
<p>1 DOOR UPPER with one adjustable shelf.</p> <p>Add R or L to model number to specify right or left hand hinge. (Left hand shown)</p> 	UW 1218 (R/L)	12	13 1/2	18	\$ 375.00
	UW 1518 (R/L)	15	13 1/2	18	\$ 391.00
	UW 1818 (R/L)	18	13 1/2	18	\$ 404.00
	UW 2118 (R/L)	21	13 1/2	18	\$ 420.00
	<p>1 DOOR UPPER with two adjustable shelves.</p> <p>Add R or L to model number to specify right or left hand hinge. (Left hand shown)</p> 	UW 1224 (R/L)	12	13 1/2	24
UW 1524 (R/L)		15	13 1/2	24	\$ 401.00
UW 1824 (R/L)		18	13 1/2	24	\$ 418.00
UW 2124 (R/L)		21	13 1/2	24	\$ 434.00
<p>1 DOOR UPPER with two adjustable shelves.</p> <p>Add R or L to model number to specify right or left hand hinge. (Left hand shown)</p> 		UW 1230 (R/L)	12	13 1/2	30
	UW 1530 (R/L)	15	13 1/2	30	\$ 460.00
	UW 1830 (R/L)	18	13 1/2	30	\$ 476.00
	UW 2130 (R/L)	21	13 1/2	30	\$ 492.00
	<p>1 DOOR UPPER with three adjustable shelves.</p> <p>Add R or L to model number to specify right or left hand hinge. (Left hand shown)</p> 	UW 1236 (R/L)	12	13 1/2	36
UW 1536 (R/L)		15	13 1/2	36	\$ 516.00
UW 1836 (R/L)		18	13 1/2	36	\$ 531.00
UW 2136 (R/L)		21	13 1/2	36	\$ 547.00

DESCRIPTION	MODEL	WIDTH	DEPTH	HEIGHT	PRICE
2 DOOR UPPER with one adjustable shelf. 	UW 2418	24	13 1/2	18	\$ 446.00
	UW 2718	27	13 1/2	18	\$ 502.00
	UW 3018	30	13 1/2	18	\$ 558.00
	UW 3318	33	13 1/2	18	\$ 613.00
	UW 3618	36	13 1/2	18	\$ 720.00
2 DOOR UPPER with two adjustable shelves. 	UW 2424	24	13 1/2	24	\$ 462.00
	UW 2724	27	13 1/2	24	\$ 521.00
	UW 3024	30	13 1/2	24	\$ 580.00
	UW 3324	33	13 1/2	24	\$ 637.00
	UW 3624	36	13 1/2	24	\$ 749.00
2 DOOR UPPER with two adjustable shelves. 	UW 2430	24	13 1/2	30	\$ 539.00
	UW 2730	27	13 1/2	30	\$ 587.00
	UW 3030	30	13 1/2	30	\$ 651.00
	UW 3330	33	13 1/2	30	\$ 719.00
	UW 3630	36	13 1/2	30	\$ 834.00
2 DOOR UPPER with three adjustable shelves. 	UW 2436	24	13 1/2	36	\$ 576.00
	UW 2736	27	13 1/2	36	\$ 649.00
	UW 3036	30	13 1/2	36	\$ 692.00
	UW 3336	33	13 1/2	36	\$ 793.00
	UW 3636	36	13 1/2	36	\$ 916.00

DESCRIPTION	MODEL	WIDTH	DEPTH	HEIGHT	PRICE	
<p>TUB & TRAY UPPER with one hinged door, one adjustable tub and tray rack, and clear glass insert. Add R or L to model number to specify right or left hand hinge. (Left hand shown)</p> <p>Options: * Ventilation fan (\$375.00)</p> <p>* Red or Blue light (\$185.00)</p>		UWT 2124-GDI (R/L)	21	13 1/2	24	\$ 851.00
	UWT 2130-GDI (R/L)	21	13 1/2	30	\$ 956.00	
<p>TUB & TRAY UPPER with two hinged door, two adjustable tub and tray racks and clear glass inserts.</p> <p>Options: * Ventilation fan (\$375.00)</p> <p>* Red or Blue light (\$185.00)</p>		UWT 3324-GDI	33	13 1/2	24	\$ 1,469.00
	UWT 3330-GDI	33	13 1/2	30	\$ 1,642.00	

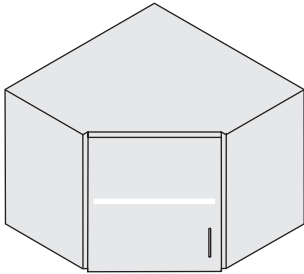
DESCRIPTION	MODEL	WIDTH	DEPTH	HEIGHT	PRICE
OPEN UPPER with one adjustable shelf. 	UWO 1218	12	12 1/2	18	\$ 433.00
	UWO 1518	15	12 1/2	18	\$ 448.00
	UWO 1818	18	12 1/2	18	\$ 464.00
	UWO 2118	21	12 1/2	18	\$ 481.00
	UWO 2418	24	12 1/2	18	\$ 512.00
	UWO 2718	27	12 1/2	18	\$ 567.00
	UWO 3018	30	12 1/2	18	\$ 642.00
OPEN UPPER with two adjustable shelves. 	UWO 1224	12	12 1/2	24	\$ 443.00
	UWO 1524	15	12 1/2	24	\$ 462.00
	UWO 1824	18	12 1/2	24	\$ 480.00
	UWO 2124	21	12 1/2	24	\$ 501.00
	UWO 2424	24	12 1/2	24	\$ 532.00
	UWO 2724	27	12 1/2	24	\$ 600.00
	UWO 3024	30	12 1/2	24	\$ 664.00
OPEN UPPER with two adjustable shelves. 	UWO 1230	12	12 1/2	30	\$ 510.00
	UWO 1530	15	12 1/2	30	\$ 530.00
	UWO 1830	18	12 1/2	30	\$ 546.00
	UWO 2130	21	12 1/2	30	\$ 567.00
	UWO 2430	24	12 1/2	30	\$ 600.00
	UWO 2730	27	12 1/2	30	\$ 676.00
	UWO 3030	30	12 1/2	30	\$ 750.00
OPEN UPPER with three adjustable shelves. 	UWO 1236	12	12 1/2	36	\$ 573.00
	UWO 1536	15	12 1/2	36	\$ 593.00
	UWO 1836	18	12 1/2	36	\$ 611.00
	UWO 2136	21	12 1/2	36	\$ 630.00
	UWO 2436	24	12 1/2	36	\$ 663.00
	UWO 2736	27	12 1/2	36	\$ 747.00
	UWO 3036	30	12 1/2	36	\$ 828.00



DESCRIPTION	MODEL	WIDTH	DEPTH	HEIGHT	PRICE
-------------	-------	-------	-------	--------	-------

CORNER UPPER
with one hinged
door and one
adjustable shelf.

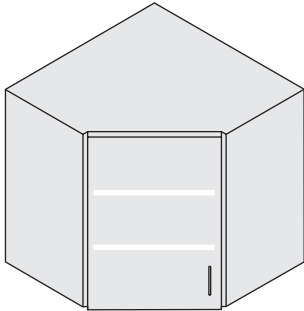
Add R or L to model
number to specify
right or left hand door.
(Left hand shown)



UWC 2418 (R/L)	24x24	13 1/2	18	\$ 817.00
----------------	-------	--------	----	-----------

CORNER UPPER
with one hinged
door and two
adjustable shelves.

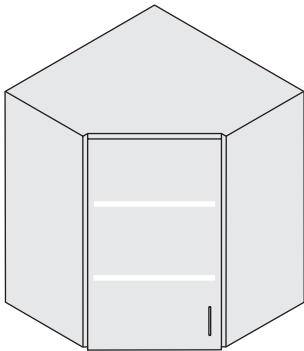
Add R or L to model
number to specify
right or left hand door.
(Left hand shown)



UWC 2424 (R/L)	24x24	13 1/2	24	\$ 855.00
----------------	-------	--------	----	-----------

CORNER UPPER
with one hinged
door and two
adjustable shelves.

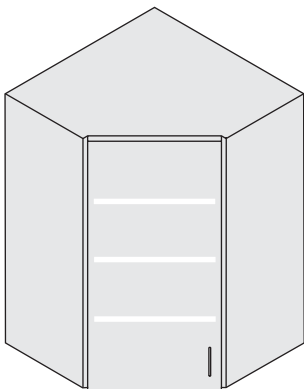
Add R or L to model
number to specify
right or left hand door.
(Left hand shown)



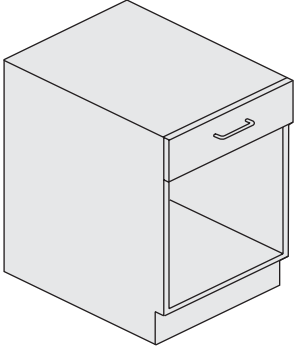
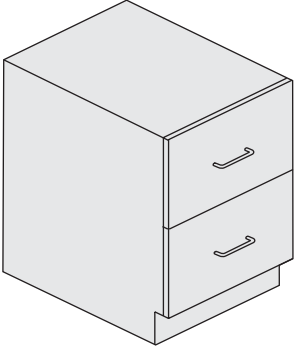
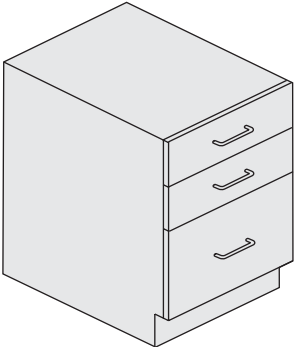
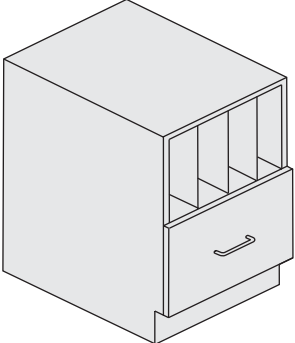
UWC 2430 (R/L)	24x24	13 1/2	30	\$ 890.00
----------------	-------	--------	----	-----------

CORNER UPPER
with one hinged
door and three
adjustable shelves.

Add R or L to model
number to specify
right or left hand door.
(Left hand shown)

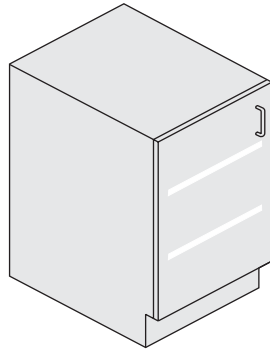


UWC 2436 (R/L)	24x24	13 1/2	36	\$ 966.00
----------------	-------	--------	----	-----------

DESCRIPTION	MODEL	WIDTH	DEPTH	HEIGHT	PRICE
<p>1 DRAWER base cabinet with open compartment below.</p> <p>Drawer face: (1) 6" high</p> 	BFC 1	16	24	28 3/4	\$ 884.00
<p>2 FILE DRAWER base cabinet with heavy duty full extension drawer slides and built-in hanging file folder racks.</p> <p>Drawer face: (1) 12 1/8" high</p> 	BFC 2	16	24	28 3/4	\$ 915.00
<p>3 DRAWER base cabinet with two regular drawers and one file drawer with heavy duty full extension drawer slides. Drawer includes a built-in hanging file folder racks.</p> <p>Drawer face: (2) 6" high (1) 12 1/8" high</p> 	BFC 3	16	24	28 3/4	\$ 874.00
<p>1 DRAWER, CHARTS base cabinet with daily chart storage compartment above and one file drawer with heavy duty full extension drawer slides. Drawer includes a built-in hanging file folder racks.</p> <p>Drawer face: (1) 12 1/8" high</p> 	BFC 1PC	16	24	28 3/4	\$ 1,167.00

DESCRIPTION
MODEL
WIDTH
DEPTH
HEIGHT
PRICE

1 DOOR STORAGE
base cabinet with
two adjustable shelves.
Add R or L to model number
to specify right or left hand
hinge. (Left hand shown)

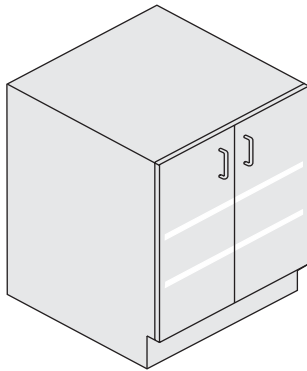


BB 150 (R/L) 15 24 28 3/4 \$ 743.00

BB 180 (R/L) 18 24 28 3/4 \$ 772.00

BB 210 (R/L) 21 24 28 3/4 \$ 802.00

2 DOOR STORAGE
base cabinet with
two adjustable shelves.



BB 240 24 24 28 3/4 \$ 905.00

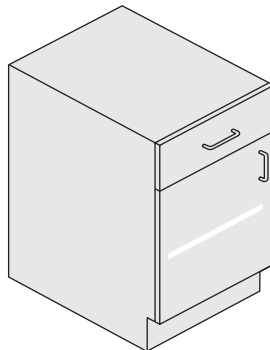
BB 270 27 24 28 3/4 \$ 931.00

BB 300 30 24 28 3/4 \$ 951.00

BB 330 33 24 28 3/4 \$ 980.00

BB 360 36 24 28 3/4 \$ 1,006.00

1 DRAWER, 1 DOOR
base cabinet with one
adjustable shelf.
Add R or L to model number
to specify right or left hand
hinge. (Left hand shown)



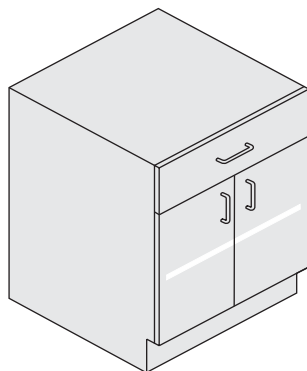
BB 151 (R/L) 15 24 28 3/4 \$ 777.00

Drawer face:
(1) 6" high

BB 181 (R/L) 18 24 28 3/4 \$ 802.00

BB 211 (R/L) 21 24 28 3/4 \$ 831.00

1 DRAWER, 2 DOOR
base cabinet with one
adjustable shelf.



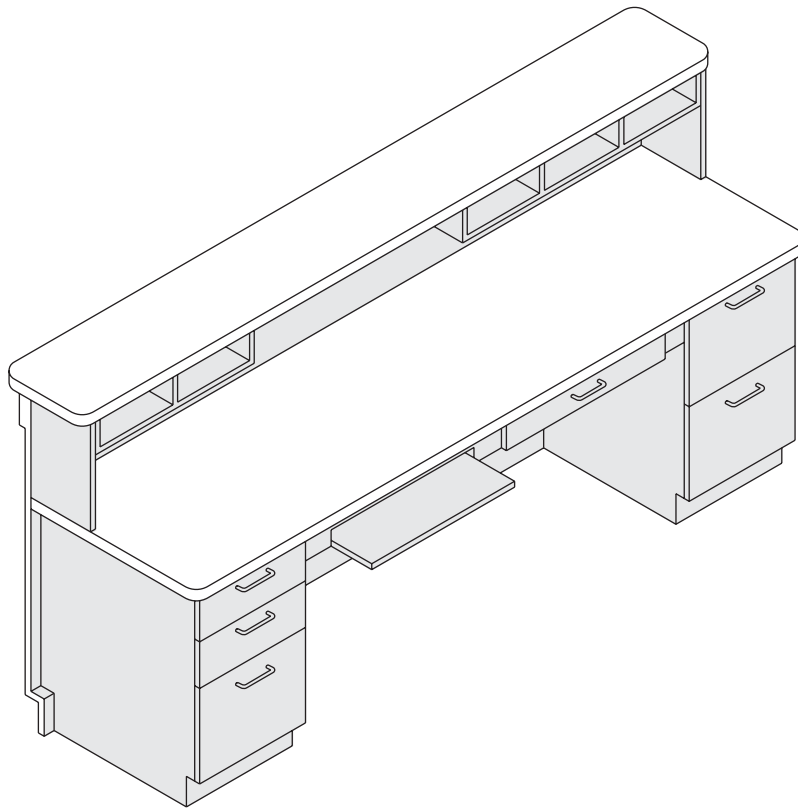
BB 241 24 24 28 3/4 \$ 943.00

Drawer face:
(1) 6" high

BB 271 27 24 28 3/4 \$ 970.00

BB 301 30 24 28 3/4 \$ 995.00

STRAIGHT FRONT DESK



Model #SBD

\$5,369.00

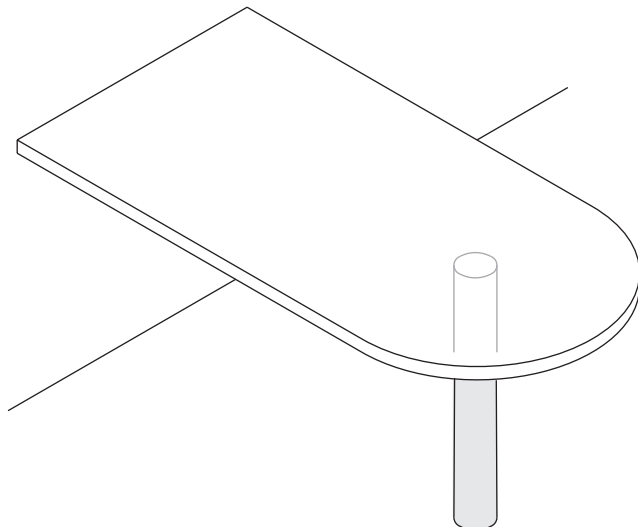
Dimensions

Length: 96"
 Depth: 28"
 Counter Height: 30 1/4"
 Check Writer Height: 46"

Straight Business Desk Features

- *BFC-3 three drawer base file cabinet.
- *BFC-2 two drawer base file cabinet.
- *KB-24 Keyboard pullout.
- *PD-24 pencil drawer.
- *Pigeon hole units.
- *Business desk counter top.
- *Business transaction center.
- *ILS face wall.

CONSULTATION DESK



Model #CT

\$1,066.00

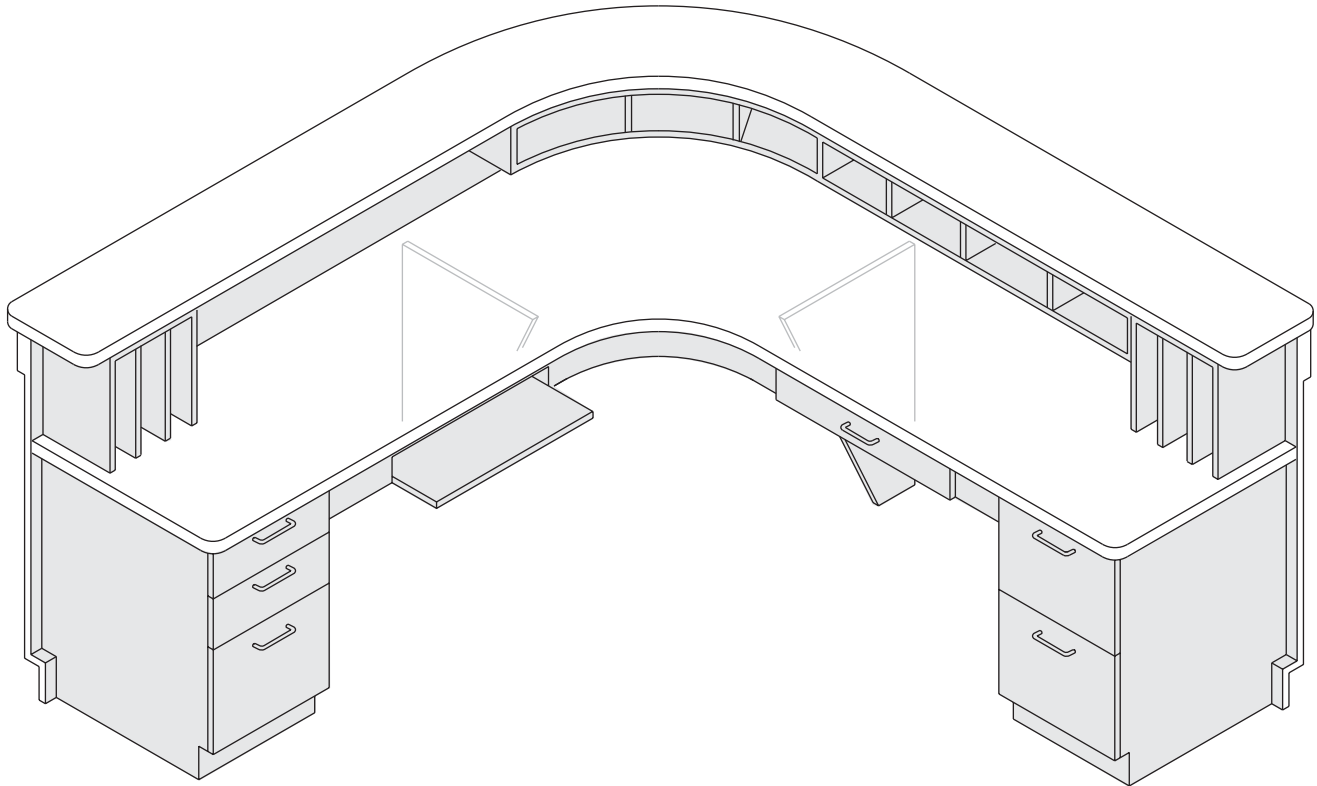
Dimensions

Length: 60"
 Depth: 30"
 Height: 30 1/4"

Consultation Desk Features

- *Straight counter top with full radius on end.
- *Cylinder leg support.

CURVED BUSINESS DESK



Model #CBD

\$9,718.00

Dimensions

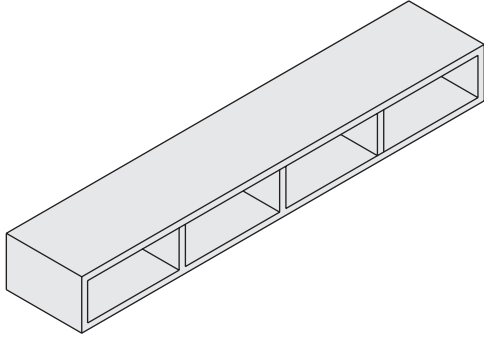
Length:	82"
Depth:	82"
Counter Height:	30 1/4"
Check Writer Height:	46"

Curved Business Desk Features

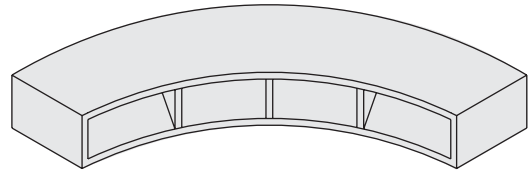
- *BFC-3 three drawer base file cabinet.
- *BFC-2 two drawer base file cabinet.
- *KB-24 Keyboard pullout.
- *PD-24 pencil drawer.
- *CRD two chart rack files.
- *Pigeon hole units.
- *Business desk counter top.
- *Business transaction center.
- *Two leg brace.
- *ILS face wall.

BUSINESS DESK COMPONENTS

PIGEON HOLE UNITS

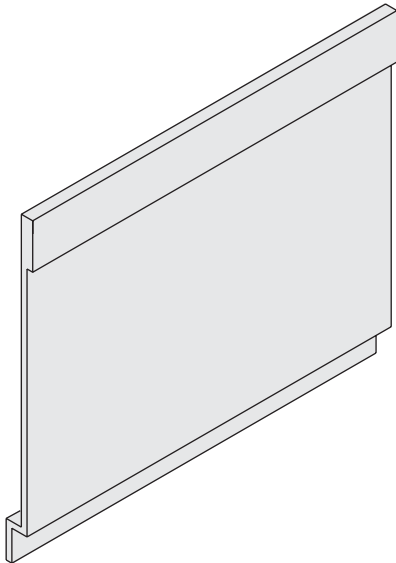


BPH-S \$8.61 per inch
 Straight pigeon hole unit
 (Template required if half wall by others)
 Overall size 9"d x 5 7/8"h
 (Specify length following model number)

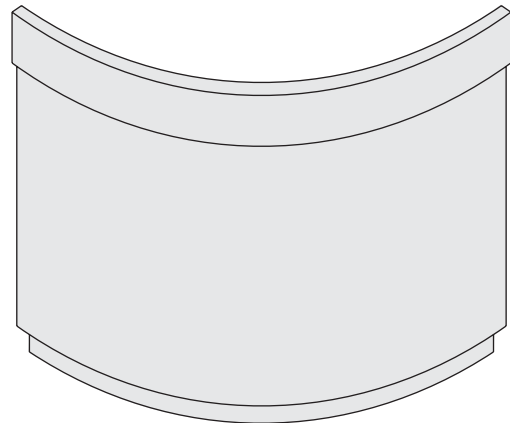


BPH-C \$28.28 per inch
 Curved pigeon hole unit
 (Template required if half wall by others)
 Overall size 9"d x 5 7/8"h
 (Specify length following model number)

ILS FACE WALLS



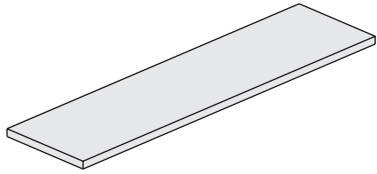
BFW-S \$19.12 per inch
 Straight ILS face wall with
 built-in kick and decorative apron
 Size: 46"h with transaction top
 (Specify length following model number)
 Template required



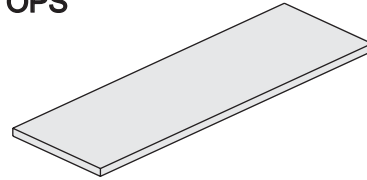
BFW-C \$39.98 per inch
 Curved ILS face wall with
 built-in kick and decorative apron
 Size: 46"h with transaction top
 (Specify radius following model number)
 Template required

BUSINESS DESK COMPONENTS

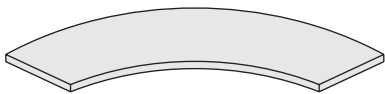
TRANSACTION COUNTER TOPS



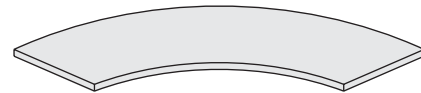
BTS-S12 \$4.28 per inch
 Straight transaction counter top
 for use with ILS wall
 Overall size 12 1/2"d x 1 1/2"thk.
 (Specify length following model number)



BTS-S15 \$4.63 per inch
 Straight transaction counter top
 for use with half wall (by others)
 Over-all size: 15 1/2"d x 1 1/2"thk.
 (Specify length following model number)
 Template required

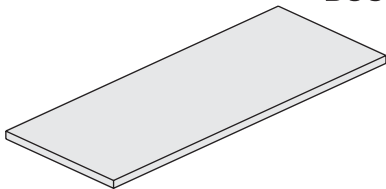


BTC-C12 \$7.71 per inch
 Curved transaction counter top
 for use with ILS wall
 Over-all size: 12 1/2"d x 1 1/2"thk.
 (Specify length following model number)

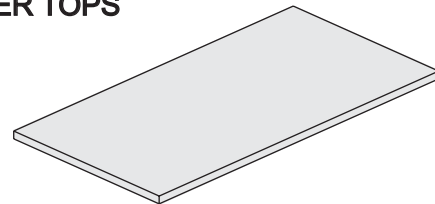


BTC-C15 \$8.15 per inch
 Curved transaction counter top
 for use with half wall (by others)
 Over-all size: 15 1/2" x 1 1/2"thk.
 (Specify radius following model number)
 Template required

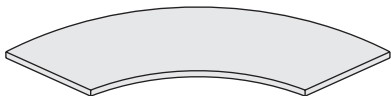
BUSINESS DESK COUNTER TOPS



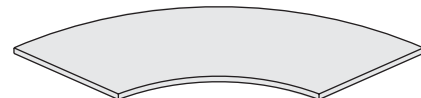
BDST-S19 \$5.49 per inch
 Straight counter top
 with square self edge
 (Template required if half wall by others)
 Overall size: 19"d x 1 1/2"thk.
 (Specify length following model number)



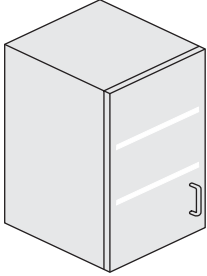
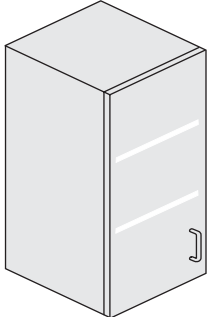
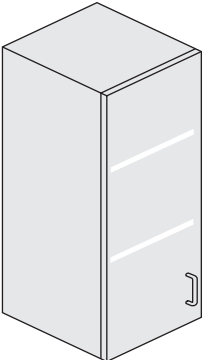
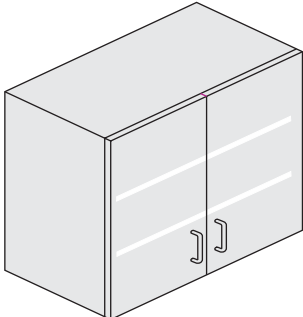
BDST-S25 \$6.24 per inch
 Straight counter top
 with square self edge
 (Template required if half wall by others)
 Over-all size: 25"d x 1 1/2"thk.
 (Specify length following model number)

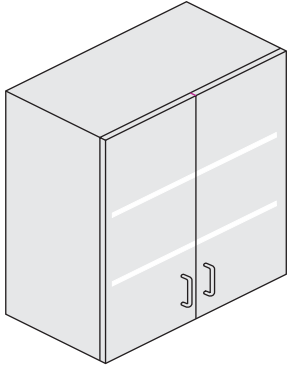
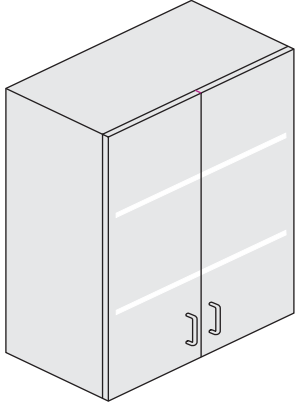
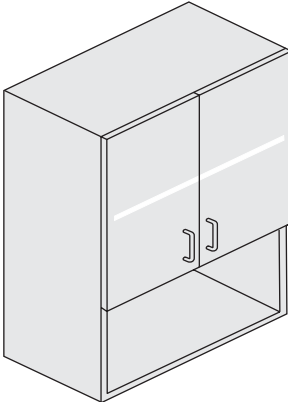
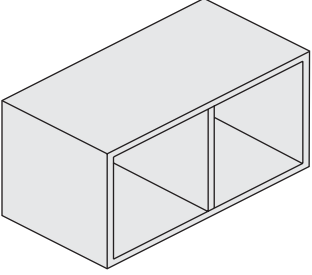


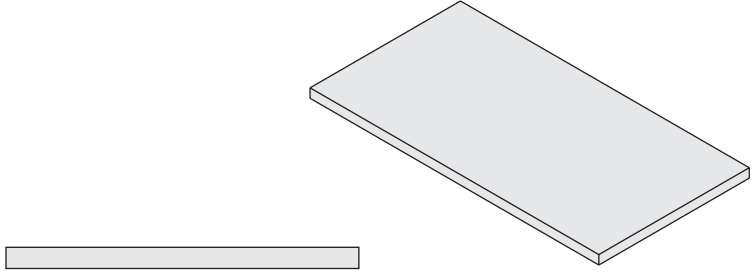
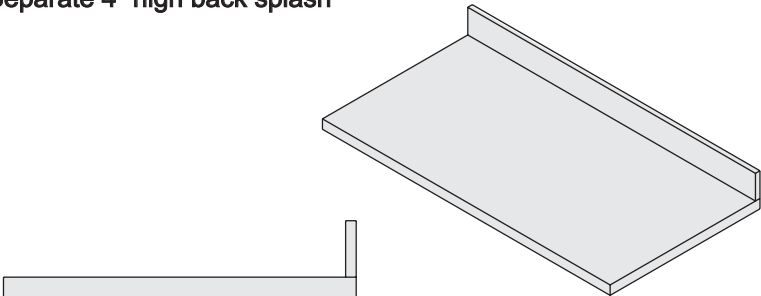
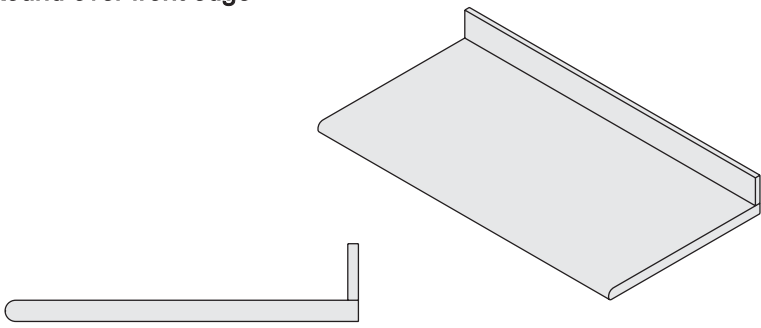
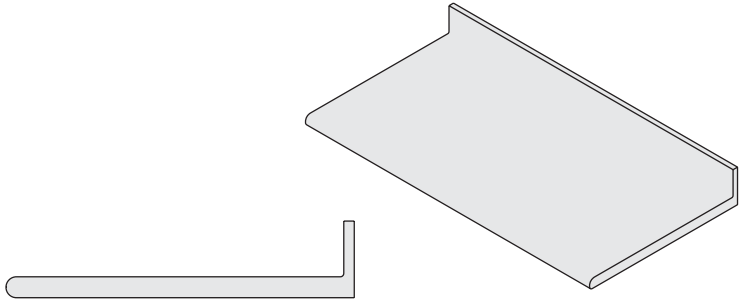
BDCT-C19 \$10.50 per inch
 Curved counter top
 with square self edge
 (Template required if half wall by others)
 Over-all size: 19"d x 1 1/2"thk.
 (Specify length following model number)

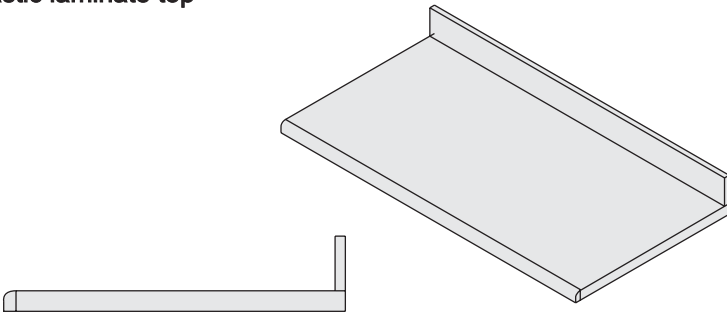
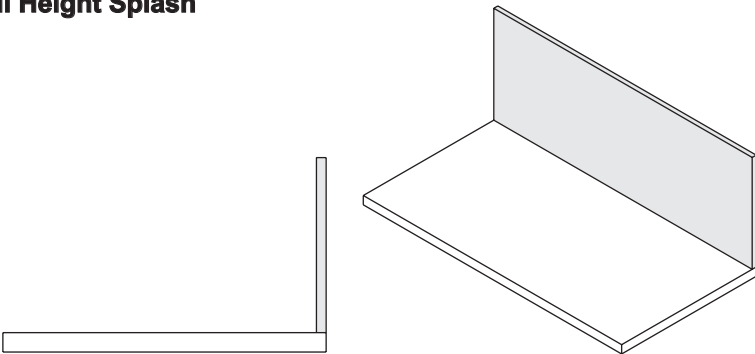
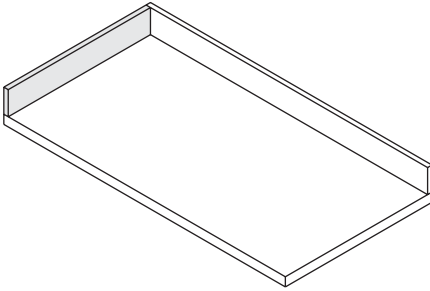
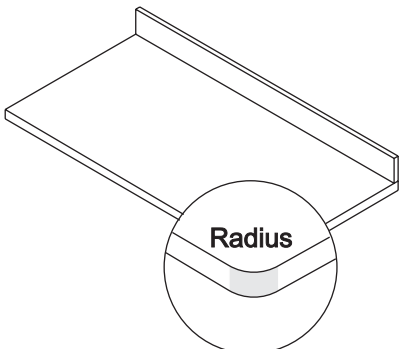


BDCT-C25 \$11.29 per inch
 Curved counter top
 with square self edge
 (Template required if half wall by others)
 Over-all size: 25"d x 1 1/2"thk.
 (Specify radius following model number)

DESCRIPTION	MODEL	WIDTH	DEPTH	HEIGHT	PRICE
<p>1 DOOR UPPER with two adjustable shelves.</p> <p>Add R or L to model number to specify right or left hand hinge. (Left hand shown)</p> 	BUW 1224 (R/L)	12	13 1/2	24	\$ 385.00
	BUW 1524 (R/L)	15	13 1/2	24	\$ 401.00
	BUW 1824 (R/L)	18	13 1/2	24	\$ 418.00
	BUW 2124 (R/L)	21	13 1/2	24	\$ 434.00
	<p>1 DOOR UPPER with two adjustable shelves.</p> <p>Add R or L to model number to specify right or left hand hinge. (Left hand shown)</p> 	BUW 1230 (R/L)	12	13 1/2	30
BUW 1530 (R/L)		15	13 1/2	30	\$ 460.00
BUW 1830 (R/L)		18	13 1/2	30	\$ 476.00
BUW 2130 (R/L)		21	13 1/2	30	\$ 492.00
<p>1 DOOR UPPER with two adjustable shelves.</p> <p>Add R or L to model number to specify right or left hand hinge. (Left hand shown)</p> 		BUW 1236 (R/L)	12	13 1/2	36
	BUW 1536 (R/L)	15	13 1/2	36	\$ 516.00
	BUW 1836 (R/L)	18	13 1/2	36	\$ 531.00
	BUW 2136 (R/L)	21	13 1/2	36	\$ 547.00
	<p>2 DOOR UPPER with two adjustable shelves.</p> 	BUW 2424	24	13 1/2	24
BUW 2724		27	13 1/2	24	\$ 516.00
BUW 3024		30	13 1/2	24	\$ 580.00
BUW 3324		33	13 1/2	24	\$ 637.00
BUW 3624		36	13 1/2	24	\$ 696.00

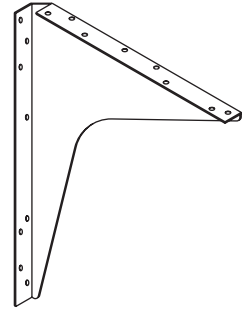
DESCRIPTION	MODEL	WIDTH	DEPTH	HEIGHT	PRICE
2 DOOR UPPER with two adjustable shelves. 	BUW 2430	24	13 1/2	30	\$ 539.00
	BUW 2730	27	13 1/2	30	\$ 587.00
	BUW 3030	30	13 1/2	30	\$ 651.00
	BUW 3330	33	13 1/2	30	\$ 717.00
	BUW 3630	36	13 1/2	30	\$ 781.00
2 DOOR UPPER with two adjustable shelves. 	BUW 2436	24	13 1/2	36	\$ 576.00
	BUW 2736	27	13 1/2	36	\$ 649.00
	BUW 3036	30	13 1/2	36	\$ 719.00
	BUW 3336	33	13 1/2	36	\$ 793.00
	BUW 3636	36	13 1/2	36	\$ 863.00
CATALOG CABINET two door upper with one adjustable shelf and open compartment below. Vertical dividers every 12" as necessary. 	BUWO 2436	24	13 1/2	36	\$ 780.00
	BUWO 2736	27	13 1/2	36	\$ 854.00
	BUWO 3036	30	13 1/2	36	\$ 923.00
	BUWO 3336	33	13 1/2	36	\$ 997.00
	BUWO 3636	36	13 1/2	36	\$ 1,068.00
OPEN CATALOG CABINET with vertical partition every 12" as necessary. 	BUO 1214	12	12 1/2	14	\$ 264.00
	BUO 1814	18	12 1/2	14	\$ 395.00
	BUO 2414	24	12 1/2	14	\$ 529.00
	BUO 3014	30	12 1/2	14	\$ 659.00
	BUO 3614	36	12 1/2	14	\$ 793.00
	BUO 4214	42	12 1/2	14	\$ 924.00
	BUO 4814	48	12 1/2	14	\$ 1,056.00

DESCRIPTION	MODEL	THICK	DEPTH	PRICE
Square Edge Plastic laminate top with square self edge 	LTS-19	1 1/2	19	\$ 5.49/ IN
	LTS-25	1 1/2	25	\$ 5.91/ IN
	LTS-30	1 1/2	30	\$ 6.99/ IN
	Square Edge with Separate Splash Plastic laminate top with square self edge Separate 4" high back splash 			
	LTS-19B	1 1/2	19	\$ 5.78/ IN
	LTS-25B	1 1/2	25	\$ 6.20/ IN
	LTS-30B	1 1/2	30	\$ 7.26/ IN
Rolled Edge with Splash Round over front edge 	LTR-18B	1 1/2	18	\$ 7.58/ IN
	LTR-25B	1 1/2	25	\$ 7.99/ IN
	LTR-30B	1 1/2	30	\$ 9.09/ IN
	Rolled Edge with Seamless Splash 			
	LTR-18SB	1 1/2	18	\$ 12.77/ IN
	LTR-25SB	1 1/2	25	\$ 13.85/ IN
	LTR-30SB	1 1/2	30	\$ 15.28/ IN

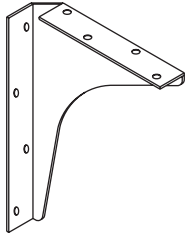
DESCRIPTION	MODEL	THICK	DEPTH	PRICE
Rolled Hardwood Edge with Splash Plastic laminate top 	LTR-180	1 1/2	19	\$ 5.49/ IN
	LTR-250	1 1/2	25	\$ 5.91/ IN
	LTR-300	1 1/2	30	\$ 6.99/ IN
Full Height Splash 	FS	3/4	18 TO 24	\$ 4.91/ IN
End Splash Plastic laminate end splash 	ES-18	3/4	4	\$ 41.00
	ES-24	3/4	4	\$ 45.00
Radius Corners 2 3/4" radius corner 				\$ 50.00 / Each

DL \$77.00 ea.
Drawer and door lock

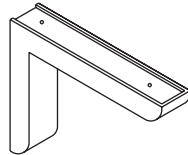
GL \$395.00 ea.
Gang lock



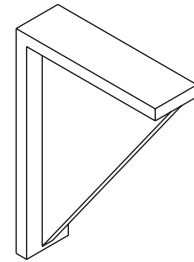
MLB \$68.00 ea.
Metal countertop brace



MSB \$35.00 ea.
Metal shelf brace



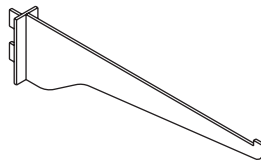
MSA \$35.00 ea.
Metal support angle



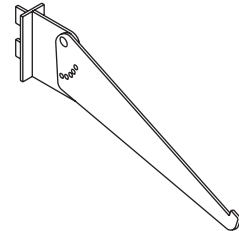
LSB \$129.00 ea.
Laminate support bracket



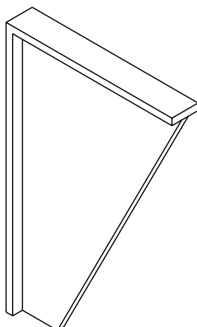
SS-24 \$9.08 ea.
Shelf standard (specify length)



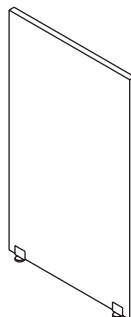
SBS-12 \$8.99 ea.
Shelf bracket straight
(specify depth)



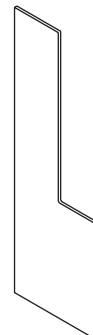
SBA-12 \$18.00 ea.
Shelf bracket angled
(specify depth)



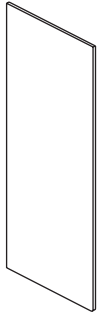
LB \$214.00 ea.
Laminate leg brace



BEP \$179.00 ea.
Base end panel



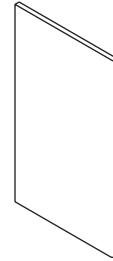
CFEP \$322.00 ea.
Contoured full end panel



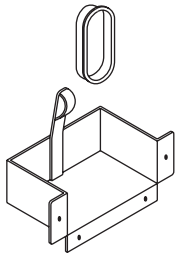
SFEP \$317.00 ea.
Straight full end panel



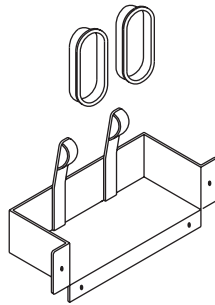
LAPR \$259.00 ea.
Lower accent panel



UAP \$225.00 ea.
Upper accent panel



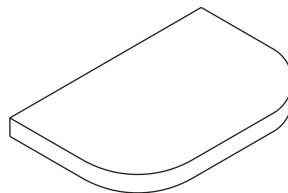
GD-1 \$89.00 ea.
Glove dispenser (one box)



GD-2 \$102.00 ea.
Glove dispenser (two boxes)

RDS \$142.00 ea.
Retracting door (side)

RDT \$142.00 ea.
Retracting door (top)

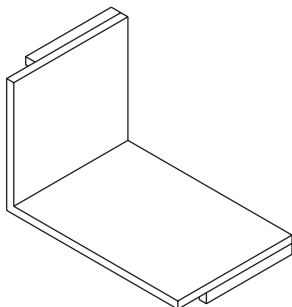


FUS \$211.00 ea.
Flip-up side shelf (mobile)

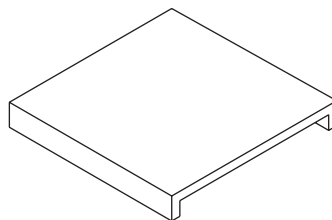
FB \$83.00 ea.
Finished back

PTC \$305.00 ea.
Pass-thru conversion (upper)

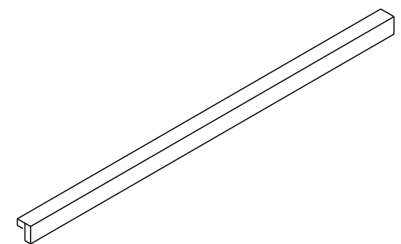
RAD \$50.00 ea.
Radius corner



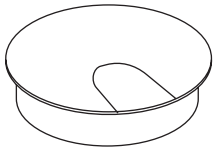
CLS \$184.00 ea.
Cavitron L shelf



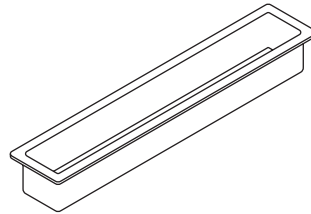
SWS \$103.00 ea.
Slid-out writing surface



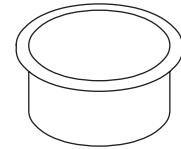
LR \$2.32 per inch
Light reveal



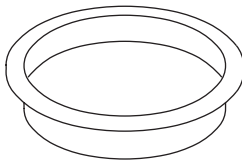
WG \$29.00 ea.
2" or 3" wire grommet (installed)
White/Black/Gray/Almond



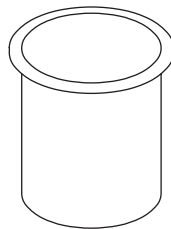
PC \$111.00 ea.
Paper chute (installed)



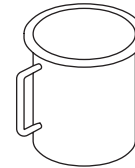
WDC-W \$46.00 ea.
White waste drop
WDC-W-I \$67.00 ea.
White waste drop (installed)



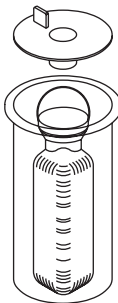
WDC-S-2 \$82.00 ea.
Stainless steel waste drop 6"x 2"
WDC-S-2-I \$112.00 ea.
S/S waste drop (installed)



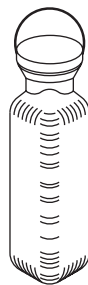
WDC-S-6 \$114.00 ea.
Stainless steel waste drop 6"x6"
WDC-S-6-I \$145.00 ea.
S/S waste drop (installed)



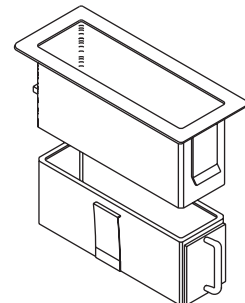
WDC-L \$130.00 ea.
Green waste drop with lid
WDC-L-I \$160.00 ea.
Green waste drop w/lid (installed)



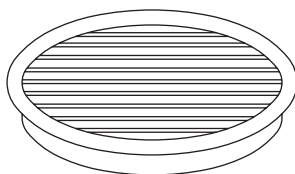
SHARPS \$214.00 ea.
Sharps drop with lid



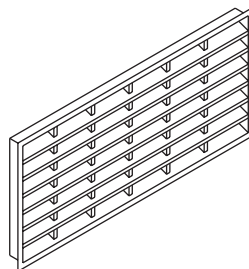
WIN 185 \$37.00 ea.
Winfield 185 container



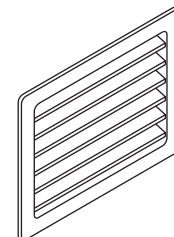
TDWC \$135.00 ea.
Tray dump system (white only)



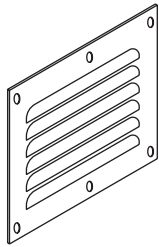
HAF 103 \$43.00 ea.
White vent grill



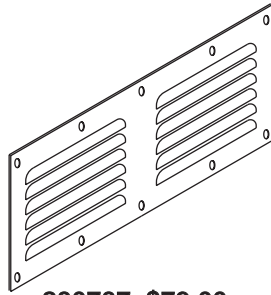
B101 \$48.00 ea.
White vent grill (10"x 4 1/4")
B102 \$58.00 ea.
White vent grill (13 1/4"x 5 1/4")



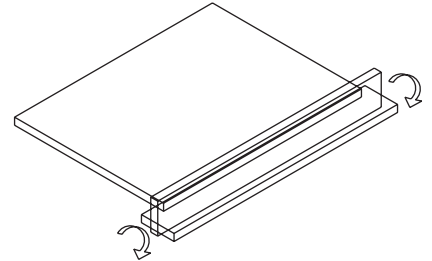
VGHC-X \$48.00 ea.
Vent grill (4 1/4"x 3 1/4")



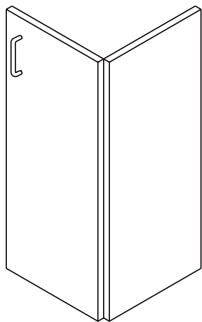
226993 \$67.50 ea.
Stainless steel vent grill
(5" x 4 5/8")



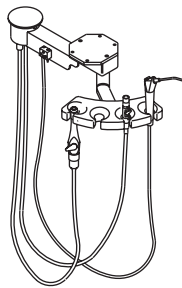
280787 \$79.00 ea.
Stainless steel vent grill
(9 1/8" x 4 5/8")



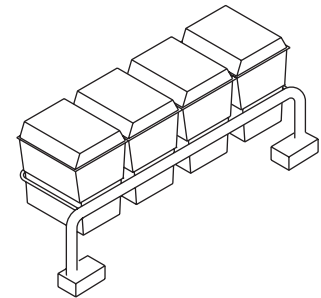
FDD \$165.00 ea.
Drawer with flip-down front



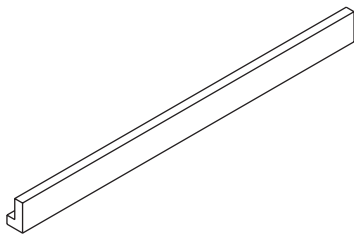
BD \$165.00 ea.
Bi-fold doors



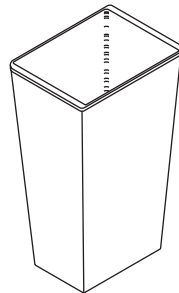
AVP \$1,078.00 ea.
Assistant's vacuum package



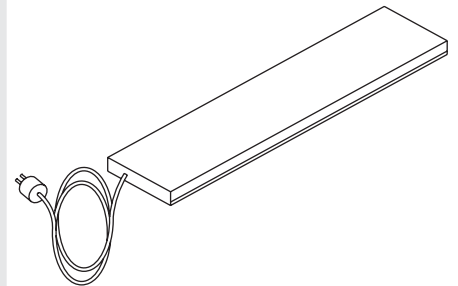
SWO \$398.00 ea.
Storage well organizer



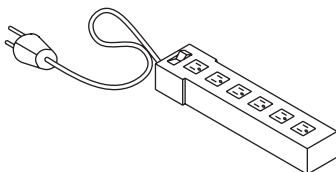
CM \$2.67 per foot
L-Shaped cap molding
(1/2"D x 2 1/2"H)



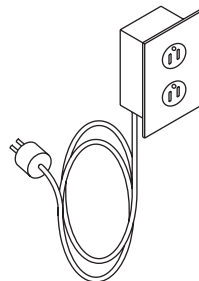
R2806 \$27.00 ea.
36 Quart waste container



TL-18 \$125.00 ea.
Task light 18"



EPS \$47.00 ea.
Electric power strip

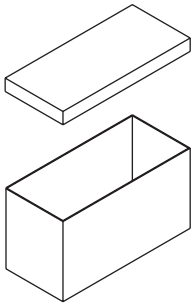


EO \$217.00 ea.
20 Amp electric outlet

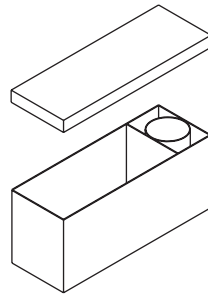
TL-24 \$133.00 ea.
Task light 24"

TL-36 \$139.00 ea
Task light 36"

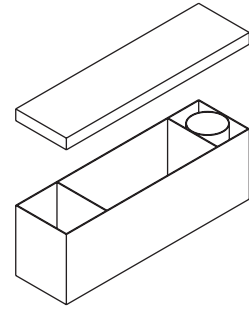
TL-48 \$151.00 ea.
Task light 48"



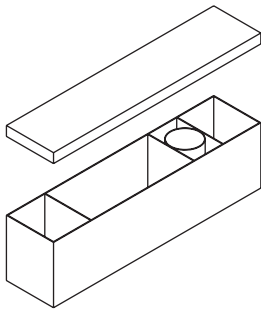
TD \$105.00 ea.
Towel dispenser



CTD \$141.00 ea.
Cup-Towel dispenser



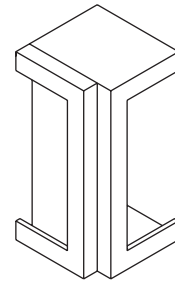
CTGD \$207.00 ea.
Cup-Towel-Glove dispenser



GCTGD \$243.00 ea.
Glove-Cup-towel-Glove dispenser



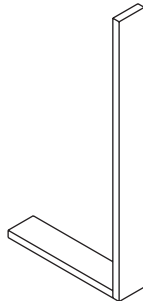
CFL \$236.00 ea.
Corner filler (lower)



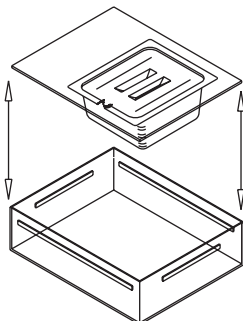
CFU \$290.00 ea.
Corner filler (upper)



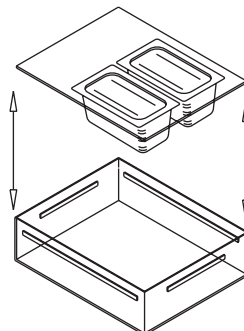
FPL \$161.00 ea.
Filler panel (lower)



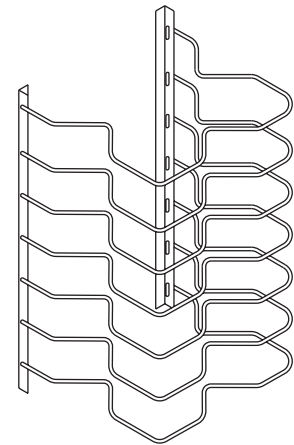
FPU \$195.00 ea.
Filler panel (upper)



CSI-1 \$199.00 ea.
Cold storage tub (1 large)



CSI-2 \$215.00 ea.
Cold storage tub (2 small)



TTR-18 \$135.00 ea.
Tub or Tray rack for 18"H upper

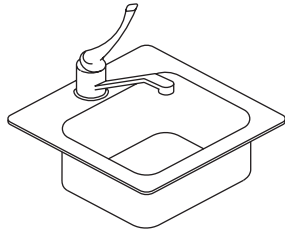
TTR-24 \$180.00 ea.
Tub or Tray rack for 24"H upper

TTR-30 \$224.00 ea.
Tub or Tray rack for 30"H upper

OPERATORY SINKS

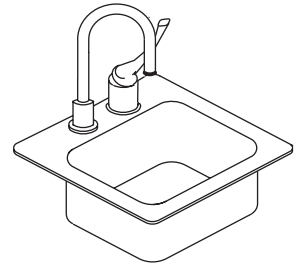
1-570 \$502.00

15"x 15"x 6" Deep
Stainless steel sink
with single lever faucet
and chrome strainer.



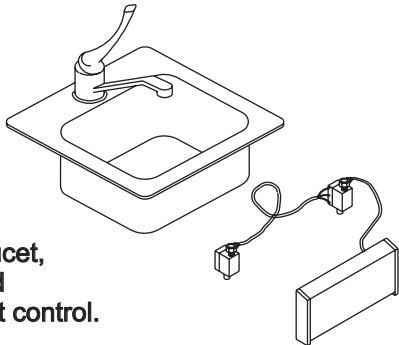
1-711 \$679.00

15"x 15"x 6" Deep
Stainless steel sink
with single lever,
gooseneck faucet
and chrome strainer.



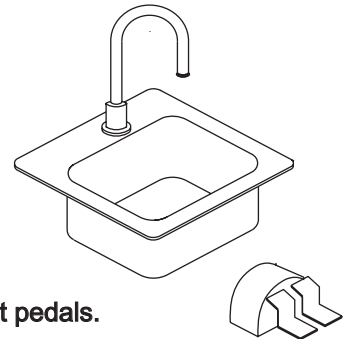
1TM-570 \$947.00

15"x 15"x 6" Deep
Stainless steel sink
with single lever faucet,
chrome strainer and
#570 tapmaster foot control.



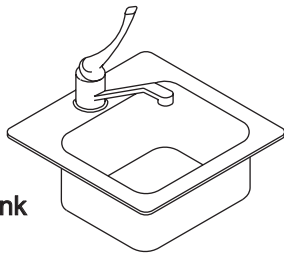
1F-TS520 \$761.00

15"x 15"x 6" Deep
Stainless steel sink
with gooseneck faucet,
chrome strainer and foot pedals.



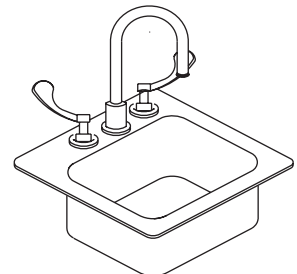
K6579-1 \$965.00

15"x 15"x 6" Deep
White porcelain (Cast Iron) sink
with single lever faucet
and chrome strainer.



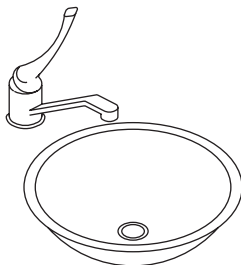
1-BO892 \$579.00

15"x 15"x 6" Deep
Stainless steel sink
with wrist blade faucet
and chrome strainer.



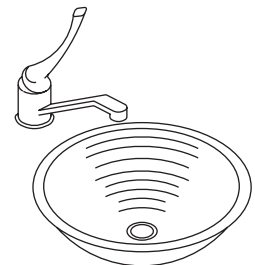
D1-13 \$558.00

13" Round
Stainless steel sink
with single lever faucet
and chrome strainer.



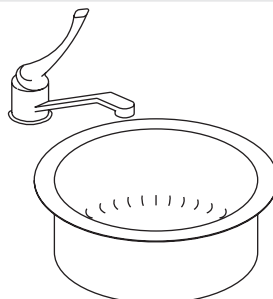
1P-13 \$999.00

Round porcelain sink
with single lever faucet
and chrome strainer.

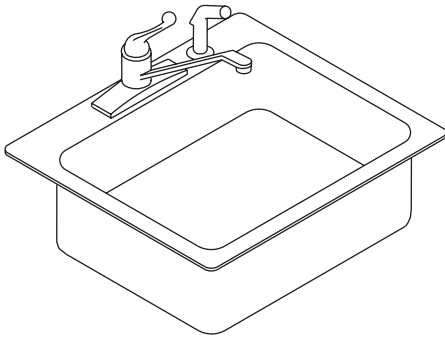


ELU-12FB \$1,089.00

13" Round x 6" Deep
Stainless steel sink
with single lever faucet
and chrome strainer



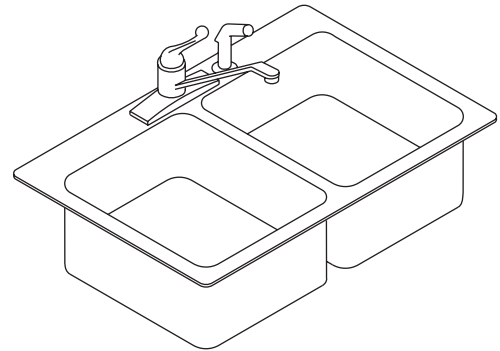
SUPPORT AREA SINKS



2S-400 \$814.00 (shown)
 25"x22"x6"Deep Stainless steel sink,
 single lever faucet,
 hand held spray and chrome strainer

2S-172 \$1,129.00
 25"x22"x6"Deep Stainless steel sink,
 #172 Waterfall faucet,
 hand held spray and chrome strainer

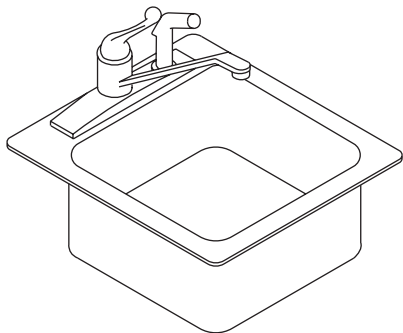
2S-470 \$1,094.00
 25"x22"x6"Deep Stainless steel sink,
 #470 Euro faucet with pullout spray,
 Chrome strainer



3-400 \$1,030.00 (shown)
 33"x22"x6"Deep Double bowl stainless steel sink,
 single lever faucet,
 hand held spray and chrome strainer

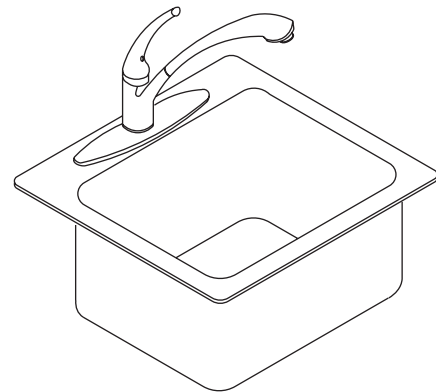
3-172 \$1,310.00
 33"x22"x6"Deep Double bowl stainless steel sink,
 #172 Waterfall faucet,
 hand held spray and chrome strainer

3-470 \$1,276.00
 33"x22"x6"Deep Double bowl stainless steel sink,
 #470 Euro faucet with pullout spray,
 Chrome strainer



4-300 \$524.00 (shown)
 17"x19"x6"Deep Stainless steel sink,
 single lever faucet,
 hand held spray and chrome strainer

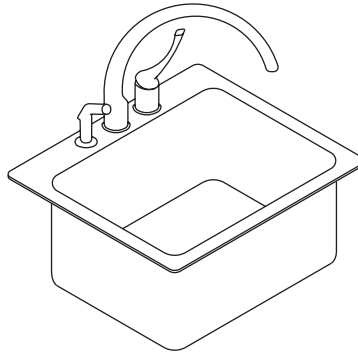
4-470 \$767.00
 17"x19"x6"Deep Stainless steel sink,
 #470 Euro faucet with pullout spray,
 Chrome strainer



5-470 \$1,514.00 (shown)
 20"x19"x10"Deep Stainless steel sink,
 #470 Euro faucet with pullout spray,
 Chrome strainer

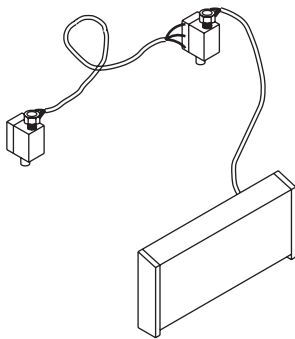
5-400 \$1,267.00
 20"x19"x10"Deep Stainless steel sink,
 Single lever faucet and hand held spray,
 Chrome strainer

SUPPORT AREA SINKS

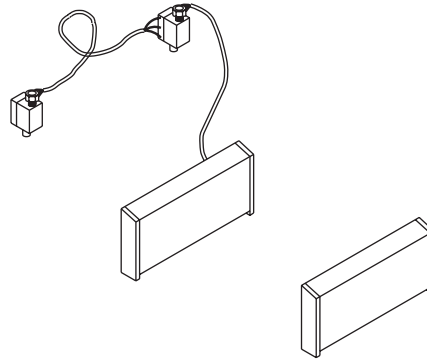


5-172 \$1,549.00
20"x19"x10"Deep Stainless steel sink
#172 Waterfall faucet, hand held spray
and chrome strainer

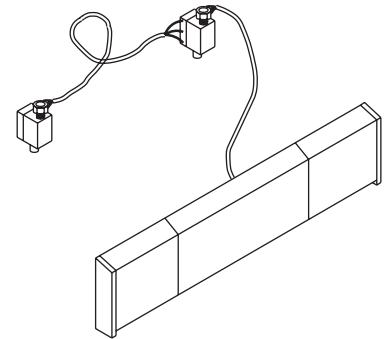
ACCESSORIES



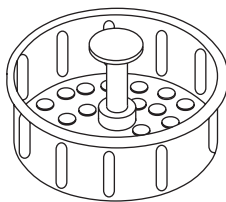
TMC \$472.00 ea.
Single foot control



TMC-D \$714.00 ea.
Double foot control



TMC-HWC \$789.00 ea.
Hot/Warm/Cold foot control



CS \$35.00 ea.
Chrome strainer



SD-C \$42.00 ea.
Chrome top soap dispenser

CARE INSTRUCTIONS FOR LAMINATED COUNTERTOPS

The abc's of Easy Care is a complete guide to keeping any laminate surface attractive and new looking

Everyday cleaning of your product is as simple as a quick wipe with a damp sponge. All resist coffee spills and so much more.

Be sure to read and follow the recommended care and cleaning procedures.

TO CLEAN THE SURFACE

Use a damp cloth or sponge and a mild soap or detergent.

Difficult stains such as coffee or tea can be removed using a mild household cleaner/detergent and a soft bristled brush, repeating as necessary.

For every stubborn stain, make a paste of baking soda and water and apply with a 3M-bristled sponge. Light Scrubbing for 10 to 20 strokes should remove most stains. Although baking soda is a low abrasive, excessive scrubbing or exerting too much force could damage the decorative surface, especially if it has a gloss finish.

SPECIAL TIPS

Always rinse laminate surfaces after cleaning! Failure to rinse after cleaning is the single greatest cause of damage to a laminate surface. If even a small amount of cleaning solution remains on the surface, moisture from cups or dishes can reactivate it and result in permanently-etched scars.

Remember to use a cutting board if any use of a knife is necessary.

Laminate may need occasional dusting depending on where it is used. To keep the surface beautiful use non-oily furniture spray

such as Hopes Polish or Pledge (Remember to clean the spray off several times a year to prevent buildup) Polish can also hide fine scratches in the surface.

A FEW NOTES OF CAUTION

Acidic or Abrasive cleaners can damage laminate surfaces do not use them.

Drain cleaners containing lye will permanently damage any laminate surface. If you spill a drain cleaner, wipe it up immediately and rinse several times with warm water.

Hair, textile and food dyes can cause permanent stains. If dye should happen to spill wipe it up immediately with dishwashing detergent or all-purpose cleaner.

Rust removers contain harsh chemicals, which will quickly cause permanent damage. If a spill occurs, wipe all of residue immediately, wash thoroughly with soapy water and rinse several times.

Steel wool and other abrasive pads will damage laminate. Don't use them for cleaning and don't store steel wool pads on your countertop; the metal can rust and leave stains.

RECOMMENDED HOUSEHOLD

CLEANSER:

Formula 409
 Ajax
 Dawn
 Dow Bathroom Cleaner
 Scrubbing Bubbles
 Fantastik
 Favor
 Pledge
 Windex
 Lestoil
 Glass Plus
 Grease Relief
 Lysol Brand Disinfectant

When cleaning laminated tops do not use products that contain the following chemical ingredients:

CHEMICAL INGREDIENTS / SYNONYMOUS NAMES

Hydrochloric Acid Muriatic Acid
 Hydrogen Chloride

Sulfuric Acid Oleic Acid
 Oil of Vitriol
 Oleum

Hydrofluoric Acid Rust Remover

Phosphoric Acid Rust Remover
 Caustic

Sodium Hydroxide Caustic Soda
 Lye Soda Lye

Pumice (abrasive)

SINK MAINTENANCE - CARE AND CLEANING

All of our stainless steel sinks are fabricated of nickel bearing Stainless Steel, which, with proper care and maintenance, will not rust under normal household conditions.

From past experience, we have found that the most common cause of surface rust is the use of rubber plastic dish mats in the sink compartment. The mat cut-off the oxygen supply to the surface of the metal and maintains moisture, which eventually dries to a rust spot.

Other common causes of surface rusting are the use of steel wool soap pads or where you have a water condition having a very high iron content. In the case of the steel wool pads, particles adhere to the sink surface and rust over a period of time. Where there are high iron

contents in the water, the residue which dries over the sink surface turns to a rust color and gives the appearance of the sink rusting. Another common cause of surface rusting is chlorides being left on the sink surface. Chlorides are found in all of today's detergents, soaps and cleaners. To protect the sinks finish, we suggest the sink be drained, rinsed and wiped dry at the end of the day. Never allow concentrated liquid detergents to remain on the stainless steel surface.

Ideally, once a week the sink should be scoured with a mildly abrasive cleanser, such as Bar Keeper's Friend, Zud or Comet along with a Scotch-Brite fiber scrubbing pad. Making sure to rub back and forth in the direction of the sinks grain lines. After scouring, the sink must be rinsed thoroughly and towel dried. Following these steps will help to remove any stubborn stains, discoloration, spotting, etc. and will ensure that the finish remains bright and sanitary.

We hope this information will be helpful in maintaining your sink.

If we can be of any further service, please feel free to contact our office (856) 665-3900

Integranite Molded Solid Surface Counter Tops

INTEGRANITE is a seamless, stain resistant, finished counter top product ideal for surfaces subject to hazards of moisture, bacteria, and heavy wear.

This revolutionary new process offers the performance of conventional solid surface materials at a fraction of the cost. Its seamless surface means no ugly crevices to collect dirt and bacteria. This blemish-free top makes INTEGRANITE ideal for all medical and dental applications.

Even the most pristine areas won't succumb to iodine, ink, or coffee. Because INTEGRANITE is made tough, it resists everything from heavy microscopes to sharp surgical knives.

What's more. Each molded top is painstakingly measured to exact dimensions, so you get a surface that's totally uniform. One that won't wobble or bow. Or expand and contract with changes in temperature.

PRODUCT SPECIFICATIONS

A homogeneous thermoset polymer and acrylic composition filled with aluminum trihydrate.

FINISH

INTEGRANITE is molded and polished to a semi-gloss level.

GUARANTEE

Characteristic	Result	Test
Specific Gravity	1.7	ASTM 0.792
Stain Resistance	Pass	ANSI Z124.3-5.2
Wear and Cleanability		ANSI Z124.3-5.3
A) Loss of white light Or reflectance (%)	0	
B) Wear depth (%)	0.003	
Surface Test	No Defect	ANSI Z124.3-3.3
Chemical Resistance	No Effect	ANSI Z124.3-5.5
Cigarette Resistance	No Effect	ANSI Z124.3
High Temperature Resistance	No Effect	NEMA LD3-3.6
Fire Rating	Class A	ASTM E84-84A
Modulus of Elasticity	1.26 x10 ⁶	ASTM D-790
Thermal Expansion	3.99x10	ASTM D-696
Hardness Rockwell M	90	ASTM D-785
Impact Resistance	No cracks or chips @ 84"	NEMA LD3
Water Absorbption	0.08	ASTM D-570
Color Stability	Slight Effect @ 200 hours	NEMA LD3

Standard Colors

01 White	53 Matrix Jade	68 Matrix Summit
02 Cameo	54 Matrix Light Grey	80 Deep Sea
03 Bone	55 Matrix Dark Grey	81 Sandstone
04 Peach	56 Matrix Green	82 Artie Ice
05 Almond	57 Matrix Light brown	83 Spruce
06 Shell	58 Matrix Bone	84 Graphite
07 Pea	59 Matrix Light Blue	85 Midnight
08 Biscuit	60 Matrix Sand	86 Sea Shore
50 Matrix White	62 Matrix Dark Blue	87 Aztec
51 Matrix Silver	63 Matrix Dusk	88 Sage
52 Matrix Pink	67 Matrix Khaki	89 Venetian

