

UA845

Antenna Distribution System

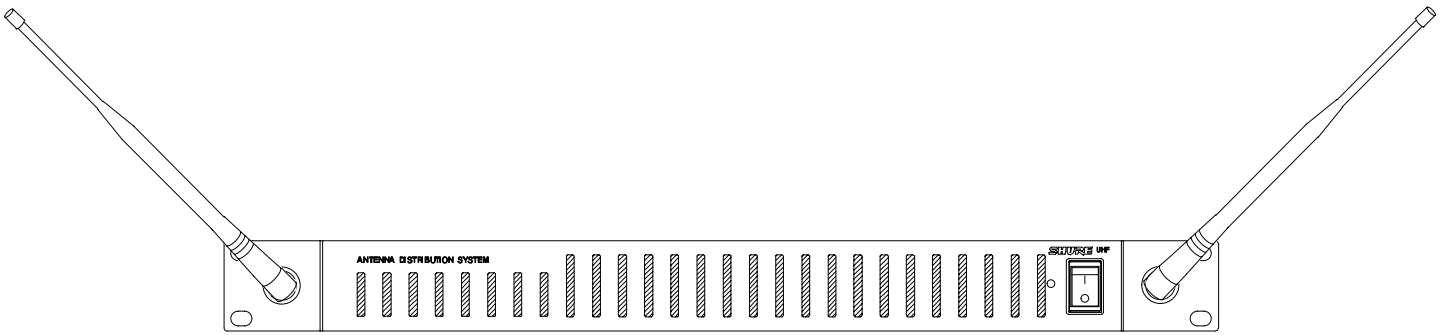
User's Guide

TABLE OF CONTENTS

ENGLISH

| | |
|---|--------------------|
| MODEL UA845 ANTENNA DISTRIBUTION SYSTEM | <i>English – 1</i> |
| SYSTEM FEATURES | <i>English – 1</i> |
| CONTROLS AND CONNECTORS | <i>English – 2</i> |
| SYSTEM INSTALLATION | <i>English – 3</i> |
| CONNECTING RECEIVERS | <i>English – 4</i> |
| SPECIFICATIONS | <i>English – 6</i> |
| LICENSING AND WARRANTY INFORMATION | <i>English – 6</i> |

MODEL UA845 ANTENNA DISTRIBUTION SYSTEM



The Shure Model UA845 is an amplified, UHF Antenna Distribution System designed to expand a wireless microphone system by splitting one pair of antennas to multiple Shure U4 or Shure UC4 wireless receivers. It also amplifies RF signals to compensate for insertion loss due to splitting signal power to multiple output connectors. Each UA845 allows up to four receivers to use the same antennas. CASCADE connectors allows connections to a fifth receiver or a second UA845. There are also power connectors for powering Shure UHF and UC Wireless systems.

Each system contains the following items:

- ✓ **UA845 Antenna Distribution System**
- ✓ Rack-mounting hardware
- ✓ Surface-mounting hardware
- ✓ Front-mounting antenna hardware
- ✓ 18-in. Power OUTPUT Cord
- ✓ Power Cord
- ✓ Antenna cables for receiver connections
- ✓ DC power cables for receiver connections to DC power connectors on UC receivers.

The Shure Model UA845 has been developed to ensure maximum sensitivity and signal processing capability, providing the widest radio range possible for the largest number of wireless receivers. To get the most from this system, follow these guidelines:

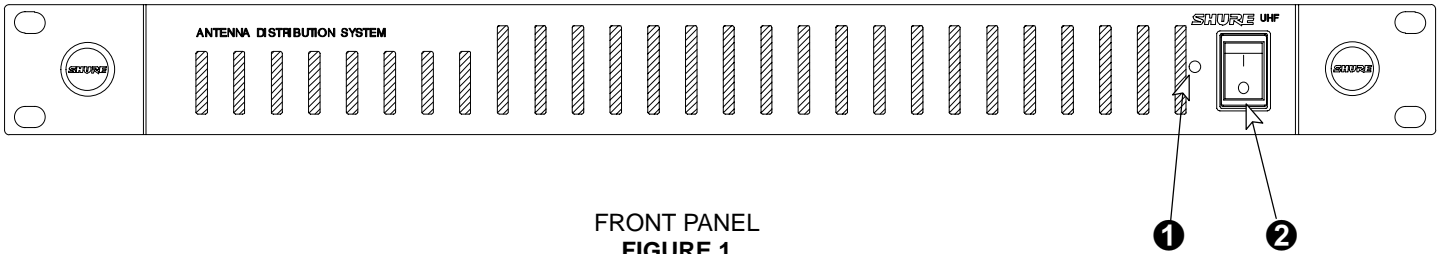
- When using long runs of cable for remote-mounted antennas, use the UA830 Active Remote Antenna Kit and the Shure Model UA825 or UA850 Remote Antenna Extension cables (RG-8/X or equivalent), which have low loss at UHF operating frequencies
- Locate multiple transmitters more than 3 m [10 ft] from receiving antennas

SYSTEM FEATURES

- **Expandability.** The UA845 UHF Antenna Distribution System is designed for large UHF wireless systems. Each unit allows up to four wireless receivers to use the same two antennas, and the CASCADE ports allow connection to a fifth receiver or a second UA845.
- **Compatibility.** The UA845 is compatible with all Shure wireless microphone receivers operating within a compatible frequency range (see *UHF Carrier Frequency Ranges* in the Specifications section).
- **CASCADE Ports.** Two 50 Ω , BNC-type antenna CASCADE ports allow an additional UA845 unit or a fifth wireless receiver. A large wireless system can be run off of a single pair of antennas.
- **Power OUTPUT and OUT Connectors.** Up to five (5) U4 receivers can be daisy-chained and powered from a single source via the Power OUTPUT connectors. Up to four (4) UC4 receivers can be powered from the UA845 using the 12 Vdc OUT connectors.
- **Low Noise and Intermodulation Distortion.** The UA845 maintains clean signals with minimal distortion.
- **Insertion Loss Compensation.** Whenever a signal is split to multiple output ports, there is a loss in signal strength. The UA845 amplifies signals to compensate, ensuring a strong signal to the receivers.
- **Front-Mounted Antennas.** The UA845 comes with hardware to front-mount the antennas, if desired.

CONTROLS AND CONNECTORS

Front Panel (Figure 1)

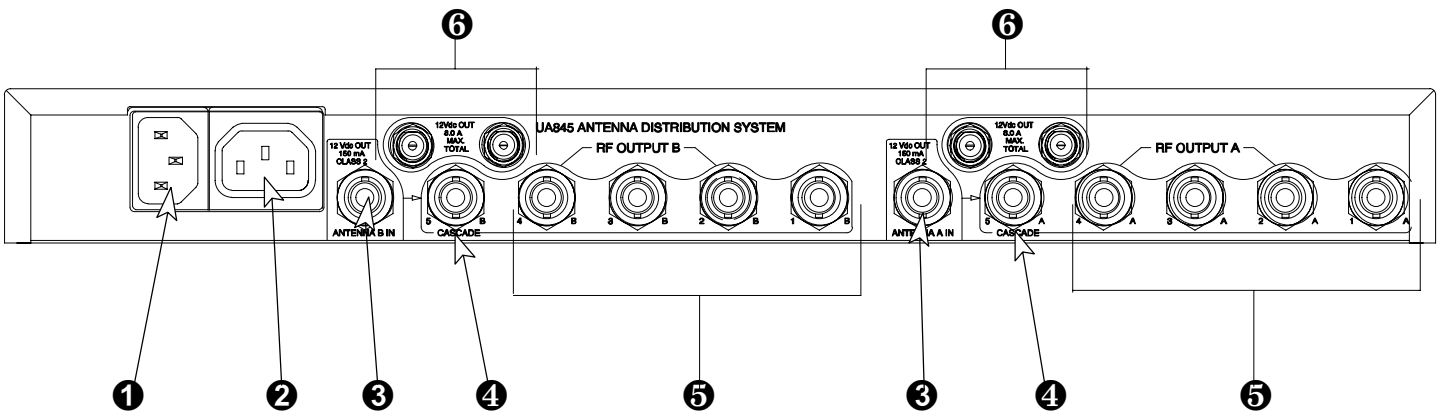


FRONT PANEL
FIGURE 1

1 Power Indicator.

2 Power ON/OFF Switch.

Back Panel (Figure 2)



BACK PANEL
FIGURE 2

1 AC Power INPUT Connector.

2 AC Power OUTPUT Connector. Each UA845 has a Power OUTPUT connector for daisy-chaining up to five (5) Shure Model U4 UHF Diversity Single or Dual Receivers to a single power source.
NOTE: This connector does not work for Shure UC4 Receivers.

3 ANTENNA IN Ports, Channel A & B. BNC-type connectors for antennas.

4 RF CASCADE Connectors (Output connector 5), Channel A & B. BNC-type connectors for adding a fifth receiver, or additional UA845's, permitting more wireless receivers to be connected.

5 RF OUTPUT Connectors, Channel A & B. BNC-type connectors for up to four wireless receivers.

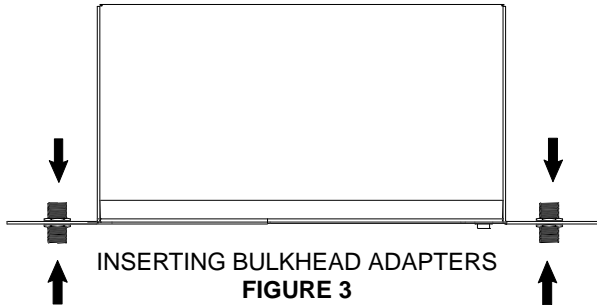
6 12 Vdc OUT Connectors. These power connectors are designed to power up to four (4) Shure UC4 Wireless systems.

SYSTEM INSTALLATION

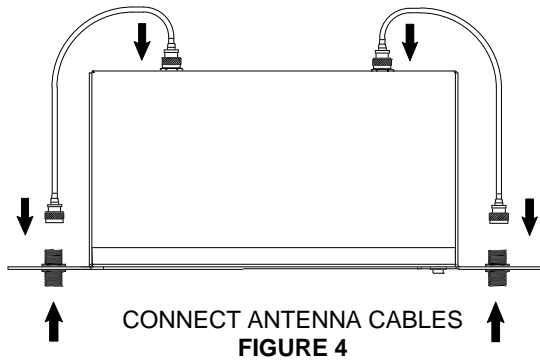
Installing Front-Mounted Antennas

The UA845 comes equipped for front-mounted antennas. Front-mounting improves RF performance of the system by moving the antennas to the front of the rack. When a unit is located in a rack, antennas should be either front- or remote-mounted.

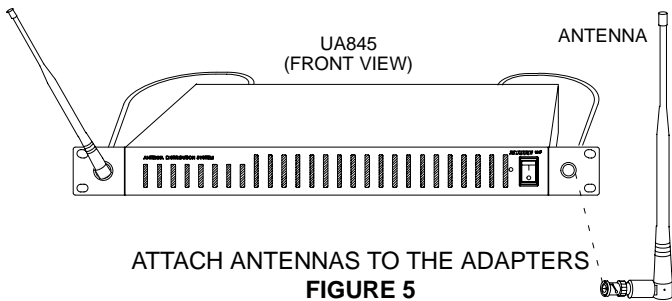
1. Insert the bulkhead adapters through the holes in each bracket, and secure them from each side, using the supplied hardware. See Figure 3.



2. Connect the supplied antenna cables to the receiver antenna inputs and adapters. See Figure 4.



3. Install the antennas onto the bulkhead adapters protruding through the front panel. See Figure 5.

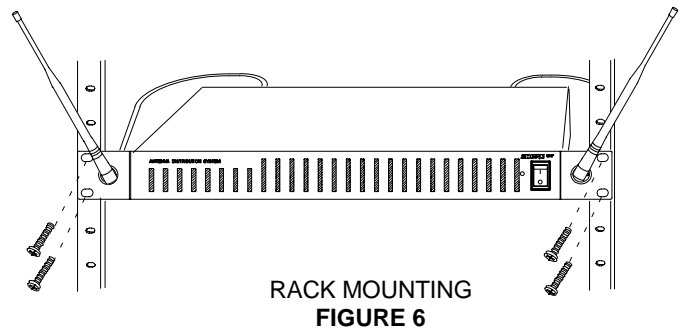


NOTE: For the best results, point the antennas up and away from each other at 45° angles from vertical. This ensures the best possible reception and greatly reduces the possibility of signal dropout. Always perform a walk-through test of the system in the performing area before using a wireless system.

Mounting the UA845 in an Equipment Rack

NOTE: If the antennas are to be front-mounted, Shure recommends connecting them before mounting the UA845 in the rack. Once the UA845 is in the rack, it is more difficult to insert the bulkhead adapters and connect the antenna cables.

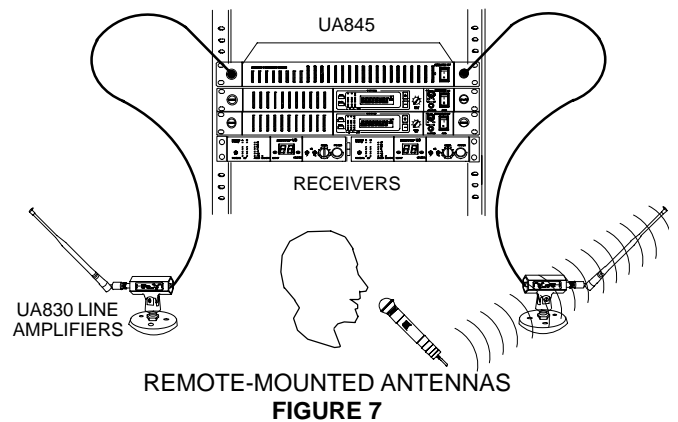
1. Insert the unit into a 19-inch equipment rack.
2. Using the screws supplied, secure the unit to the rack (Figure 6).



3. If the antennas are remote mounted from the back of the rack, insert the supplied plastic plugs into the holes on the front of the brackets.

Installing Remote Antennas (Figure 7)

Remote-mounted antennas have the advantage of being free from the unit and closer to the transmitters. They can be placed anywhere within the recommended cable length, creating a much wider radio reception range and further reducing the possibility of signal dropout. When remote-mounted antennas are desirable, please ask your Shure dealer for information on the UA830 UHF Active Remote Antenna Kit. Cables are available in UA825 (7.5 m [25 ft]) and UA850 (15 m [50 ft]) versions.



CONNECTING RECEIVERS

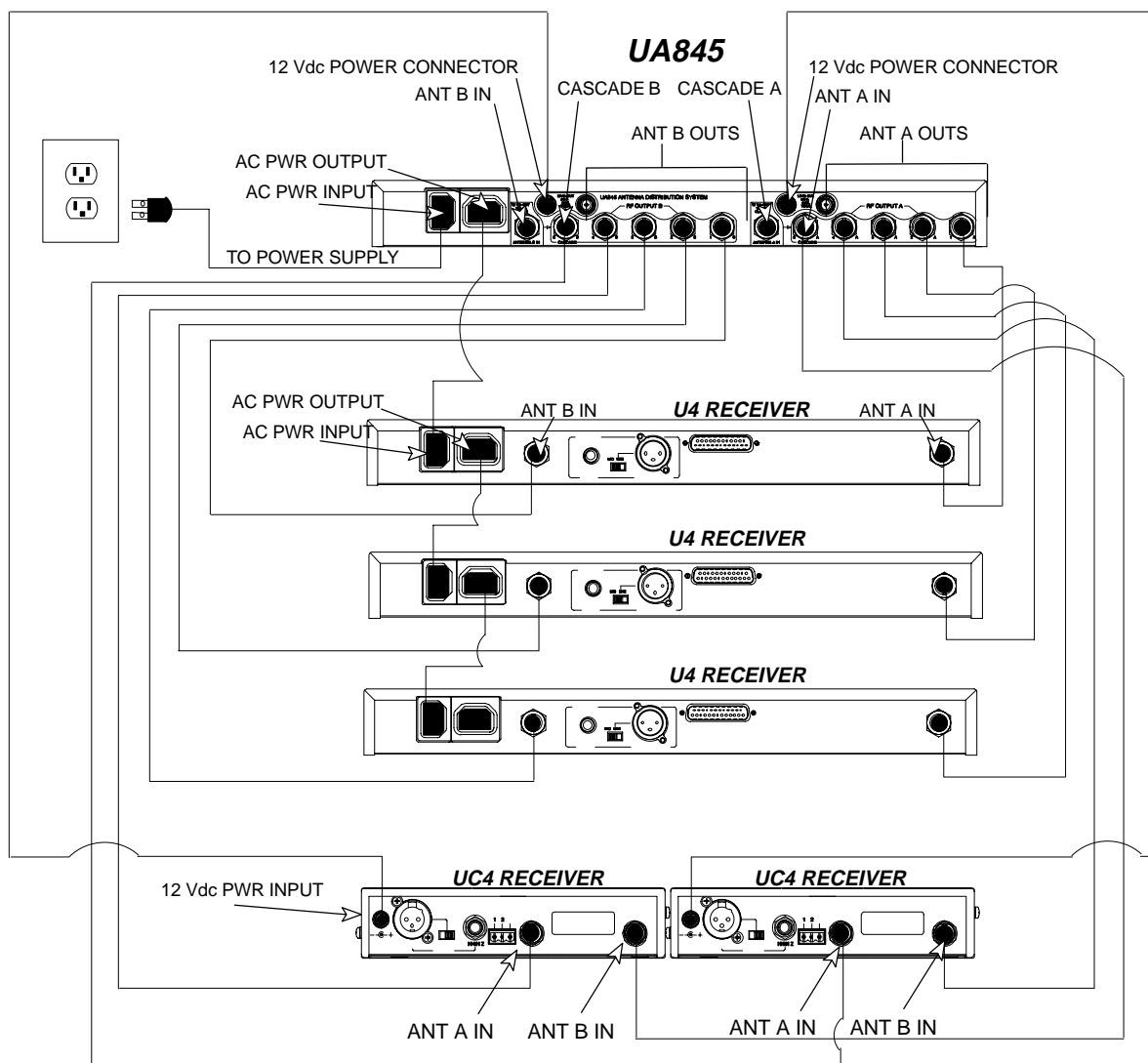
Single UA845 Setup (Figure 8)

1. Using low-loss, 50 Ω coaxial cables (RG-58 or equivalent), connect the right and left (Channels 1 through 4, A and B) RF OUTPUT ports on the UA845 to the corresponding left and right antenna inputs on each receiver. Use the CASCADE ports to connect a fifth receiver.
2. Using the supplied power cable, connect the UA845 to a power outlet.
3. To daisy-chain U4 Receivers together with Power OUTPUT cables, connect the Power OUTPUT con-

nectors of the UA845 to the Power INPUT connector of one receiver. Connect the remaining receivers similarly. Connect the POWER INPUT of the unit to a power supply.

NOTE: No more than five (5) Shure UHF receivers should be powered through a daisy-chain from a single UA845.

4. To power Shure UC4 receivers, connect the power input ports of the UC4 receivers to the 12 Vdc OUT of the UA845. Up to four UC4 Receivers can be powered.



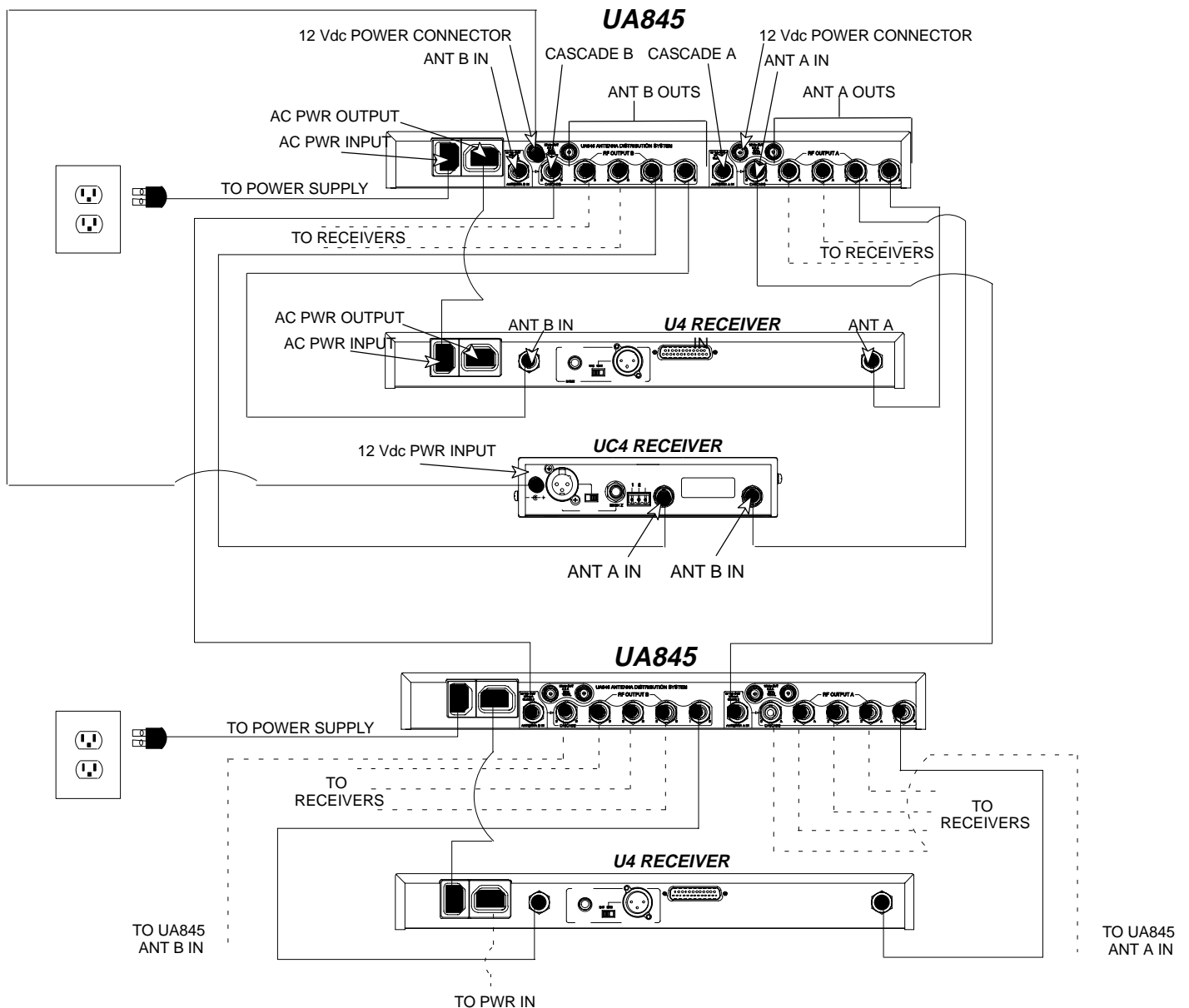
SINGLE UA845 SETUP
FIGURE 8

Multiple UA845 Setup (Figure 9)

1. Connect the CASCADE ports (connector 5) for RF OUTPUT Channels A and B of one UA845 to the ANTENNA INPUT, channels A and B, of a U4 receiver, a UC4 receiver, or a second UA845.
2. If desired, connect additional units in the same manner.
3. To daisy-chain U4 Receivers together with Power OUTPUT cables, connect the Power OUTPUT connector of the UA845 to the Power INPUT connector of one receiver. Connect the remaining receivers similarly. Connect the POWER INPUT of the unit to an AC power supply.

WARNING: When adding additional UA845's to a system, each UA845 should be connected to a separate power supply. No more than five (5) receivers can be powered from a single UA845. Daisy-chaining multiple UA845's through the Power OUTPUT ports will overload a single power supply, possibly causing damage to the equipment.

4. To power Shure UC4 receivers, connect the power input ports of the UC4 receivers to the 12 Vdc OUT of the UA845. Up to four UC4 Receivers can be powered.



MULTIPLE UA845 SETUP
FIGURE 9

SPECIFICATIONS

UHF Carrier Frequency Range

| | |
|-----------|-------------|
| UA845 UA | 782-806 MHz |
| UA845 UB | 692-716 MHz |
| UA845 MA | 782-810 MHz |
| UA845 MB | 800-830 MHz |
| UA845 KK | 838-862 MHz |
| UA845 MC | 774-782 MHz |
| UA845 JAB | 797-810 MHz |

Distributed Output Level (Gain)

- 3 dB \pm 1.5 dB from antenna input (Output ports 1–4)
- 0.5 dB \pm 1.5 dB from antenna input (Cascade port)

Input/Output Connector VSWR

Less than 1.6:1

Output Connector Isolation

Greater than 25 dB

Third Order Intercept Point (3 OIP)

Greater than 25 dBm

Input/Output AC Line Voltage

100 to 240 Vac, 50/60 Hz, unswitched

DC Output Voltage

12 Vdc, 4 connectors

Impedance

50 Ω

Operating Temperature Range

-7° C (+20° F) to 49° C (+120° F)

Overall Dimensions

44.5 mm high x 482.6 mm wide x 295.3 mm deep (1 ³/₄ x 19 x 11 ⁵/₈ inches)

Net Weight: 3.32 Kg (7 lbs, 5 oz)

Input/Output Antenna Connector Type: BNC-type

AC Power Consumption

15 W per unit typical. When used with 4 UC4's, 55 W max.

Certification

UA845: Listed by UL and CUL (U.S. and Canada), IC and FCC; IC Certified (Canada)

UA845: Meets applicable European directives for CE marking eligibility. VDE GS-Certified. Meets EMC requirements per ETS 300 445

Furnished Accessories

2 ft. Coaxial Antenna Cable (RG-58) UA802

Optional Accessories

| | | |
|-------------------------------|-------|----------------------|
| 1/2-Wave Antenna | | UA820A |
| 25 ft. Coaxial Cable (RG-8/X) | | UA825 |
| 50 ft. Coaxial Cable (RG-8/X) | | UA850 |
| Active Remote Antenna | | UA830A (782-810 MHz) |
| | | UA830B (854-862 MHz) |
| | | UA830C (800-830 MHz) |
| | | UA830D (774-782 MHz) |
| Active Directional Antenna | | UA870A (782-810 MHz) |
| | | UA870B (854-862 MHz) |
| | | UA870C (800-830 MHz) |
| | | UA870D (774-782 MHz) |

Replacement Parts

| | | |
|------------------------------------|-------|----------|
| Hardware Kit | | 90VL1371 |
| Bulkhead Adapters | | 95A8647 |
| 120 VAC Power Line Cord | | 95A8389 |
| 230 VAC Power Line Cord | | 95A8247 |
| 240 VAC Power Line Cord (U.K.) | | 95A8713 |
| 120 VAC, 16-in. Power-Through Cord | | 95A8576 |
| 230 VAC, 18-in. Power-Through Cord | | 95A8678 |
| 12 Vdc Power Cables | | 95A8420 |



This symbol indicates that dangerous voltage constituting a risk of electric shock is present within this unit.



This symbol indicates that there are important operating and maintenance instructions in the literature accompanying this unit.

LICENSING AND WARRANTY INFORMATION

Warranty. Shure Incorporated ("Shure") hereby warrants that these products will be free from defects in material and workmanship for a period of one year from the date of purchase. At its option, Shure will repair or replace the defective product and promptly return it to you, or refund the purchase price. Retain proof of purchase to validate the purchase date and return it with any warranty claim. If you believe this product is defective within the warranty period, carefully repack the unit, insure it, and return it postpaid to:

Shure Incorporated
Attention: Service Department
222 Hartrey Avenue
Evanston, IL 60202-3696 U.S.A.

For service outside the United States, return the product to your authorized Shure Distribution Center.

All claims of defects or shortage should be directed to the above address. Please furnish model number, operating frequency, and date, place and proof of purchase (such as a copy of your sales receipt) to establish warranty. Your letter should include all pertinent details including applica-

ble model or part numbers and a brief description of the problem. Do not mail any units or parts to Shure unless requested to do so by Shure's Service Department. Any returned items must have prior authorization. Unauthorized returns are delayed in handling; these delays can be avoided by contacting Shure in advance and furnishing the necessary information.

Shure reserves the right to make design changes and product improvements on any previously manufactured products. Shure also reserves the right to ship new and/or improved products which are similar to the form, fit and function of the originally ordered products.

Licensing. Changes or modifications not expressly approved by Shure Incorporated could void your authority to operate the equipment. Licensing of Shure wireless microphone equipment is the user's responsibility, and licensability depends on the user's classification and application, and on the selected frequency. Shure strongly urges the user to contact the appropriate telecommunications authority concerning proper licensing, and before choosing and ordering frequencies other than standard frequencies.



SHURE Incorporated Web Address: <http://www.shure.com>
222 Hartrey Avenue, Evanston, IL 60202-3696, U.S.A.
Phone: 847-866-2200 Fax: 847-866-2279
In Europe, Phone: 49-7131-72140 Fax: 49-7131-721414
In Asia, Phone: 852-2893-4290 Fax: 852-2893-4055
Elsewhere, Phone: 847-866-2200 Fax: 847-866-2585