

INTRODUCTORY NOTE

This directory contains the names and addresses of physicians who are authorized to perform physical examinations and issue airman medical certificates for the Administrator of the Federal Aviation Administration. This 2008 edition follows the same format as previous editions, and contains updated Aviation Medical Examiner information compiled through Mar. 10, 2008. All Aviation Medical Examiners listed in this directory are authorized to conduct airman physical examinations for Second and Third Class Medical Certificates. They are also authorized to issue the combined Medical-Student Pilot Certificate. Aviation Medical Examiners authorized to issue First Class Medical Certificates are identified by an (*) asterisk symbol.

Part 61 of the Federal Aviation Regulations describes the various types of airman operations and indicates the class of medical certification required.

Physicians interested in becoming Aviation Medical Examiners should request application forms from the FAA Regional Flight Surgeon.

NEW ENGLAND REGION

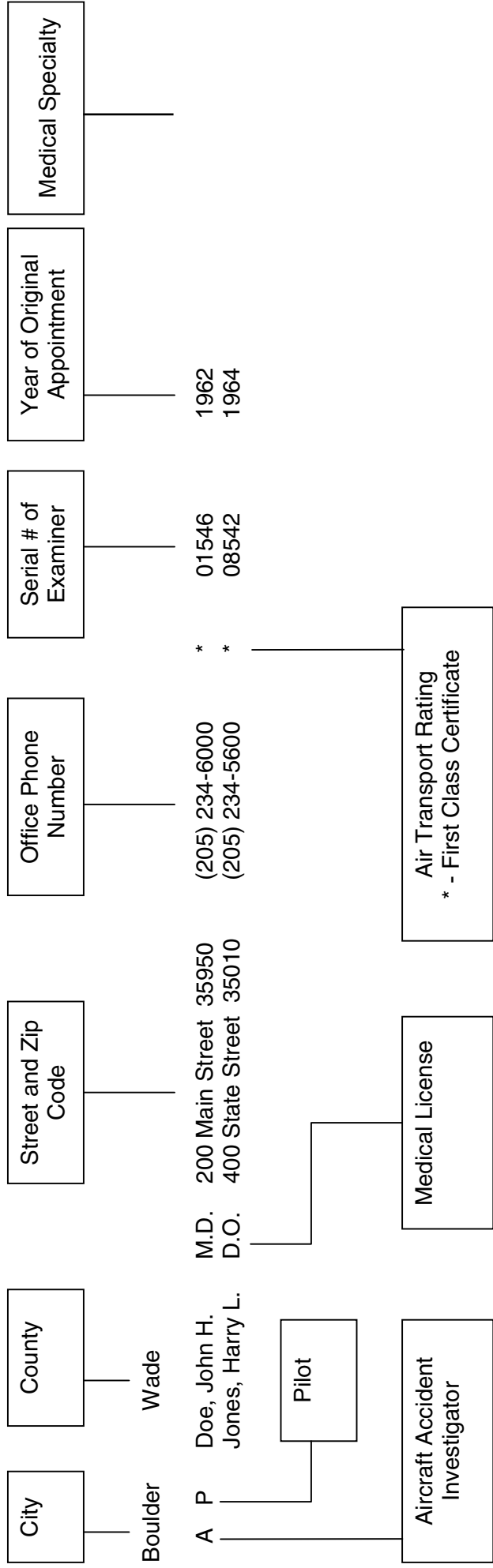
Paul H. Clark, M.D.
Regional Flight Surgeon, ANE-300
Federal Aviation Administration
12 New England Executive Park
Burlington, Massachusetts 01803-5299

Telephone (781) 238-7300
FAX (781) 238-7306

The following states are in the New England Region:

Connecticut	Maine
Massachusetts	New Hampshire
Rhode Island	Vermont

FORMAT OF AVIATION MEDICAL EXAMINER DIRECTORY



You should make requests for changes or Corrections to your Regional Flight Surgeon.

CONNECTICUT

	AVON		HARTFORD						
	KOFF, ARNOLD M	30 WEST AVON ROAD 06001-3583		(860) 675-6595	*	19416	1983	Internal Medicine	
	BLOOMFIELD		HARTFORD						
P	JOSEL, MARK	4 NORTHWESTERN DRIVE 06002-3443		(860) 243-3344	*	16420	1979	Internal Medicine	
	BOLTON		TOLLAND						
	BUCKMAN, RONALD L.	BOLTON FAMILY AND SPORTS MEDICINE, 921 BOSTON TURNPIKE 06043-		(860) 646-0649		02076	2007	Sports Medicine	
	BRIDGEPORT		FAIRFIELD						
P	LUCHANSKY, EDWARD	267 GRANT STREET 06610-0000		(203) 384-3933	*	16387	1978	Obstetrics/Gynecology	
	CHESTER		MIDDLESEX						
P	WINTER, OLIVER S	61 WINTHROP ROAD 06412-0000		(860) 526-4500	*	10311	1968	Internal Medicine	
	COLCHESTER		NEW LONDON						
P	CONRAD, CARL C	21 PALMER ROAD 06415-0000		(860) 537-2241		16471	1982	Ophthalmology	
	DANBURY		FAIRFIELD						
	OTT, CASEY K	EXECUTIVE MEDICAL CENTER, 49 MIRY BROOK ROAD 06810-		(203) 778-1150		02084	2007	Internal Medicine	
	DERBY		NEW HAVEN						
P	SCHWARTZ, KENNETH V	130 DIVISION STREET 06418-1326		(203) 735-7421		16456	1980	Internal Medicine	
	ESSEX		MIDDLESEX						
	DANYLIW, THOMAS J	MIDDLESEX OCCUP HEALTH GROUP, 192 WESTBROOK ROAD 06426-		(860) 358-3840	*	16482	1983	Family Practice/General Practice	
	GOSHEN		LITCHFIELD						
	DOLIN, BERNARD	91 HILLHOUSE ROAD 06756-		(860) 491-3005	*	06825	1962	General Surgery	
	GREENWICH		FAIRFIELD						
	ORPHANOS, JAMES P.	23 MAPLE AVENUE 06830-5624		(203) 869-0451	*	10147	1966	Internal Medicine	
	HARTFORD		HARTFORD						
A P	TEIGER, MICHAEL B	1000 ASYLUM AVENUE SUITE 4307 06105-0000		(860) 278-3812	*	19495	1991	Internal Medicine	
	KENSINGTON		HARTFORD						
	GOLDBERG, RICHARD N	211 NEW BRITAIN ROAD STE 206 06037-0000		(860) 827-0009	*	19428	1985	Internal Medicine	
	MIDDLEBURY		NEW HAVEN						
	TERRANOVA, GEORGE J	819 STRAITS TURNPIKE 06762-0000		(203) 758-8412	*	16434	1979	Family Practice/General Practice	
	LUNAN, JAMES W	819 STRAITS TURNPIKE 06762-0000		(203) 758-8412	*	19978	2001	Emergency Medicine	
	MIDDLETOWN		MIDDLESEX						
	DANYLIW, THOMAS J	MIDDLESEX OCCUP HEALTH GROUP, 534 SAYBROOK RD 06457-0000		(860) 358-2750	*	16482	1983	Family Practice/General Practice	
	MILFORD		NEW HAVEN						
P	ENGEL, HARRY P	57 CHERRY ST 06460-0000		(203) 874-8268	*	16382	1977	Neurosurgery	
	NEW BRITAIN		HARTFORD						
P	DODENHOFF, ROBERT M	GROVE HILL MEDICAL CENTER, 300 KENSINGTON AVENUE 06051-		(860) 832-8150		02075	2006	Internal Medicine	
	NEW HAVEN		NEW HAVEN						
	WORMSER, ANDREW C	PRINCE PROFESSIONAL CTR 46 PRINCE ST STE 302 06519-0000		(203) 772-0011		19504	1993	Internal Medicine	
P	RUSKIN, KEITH J.	YALE NEW HAVEN HOSPITAL, 333 CEDAR ST TMP3 06520-		(203) 785-2802		02070	2005	Anesthesiology	
	NEW LONDON		NEW LONDON						
P	BERTMAN, GARY M.	GP FAMILY CARE, 157 MONTAUK AVE 06320-0000		(860) 437-0333	*	20050	1999	Family Practice/General Practice	
	GATES, PETER J	GP FAMILY CARE, 157 MONTAUK AVE 06320-0000		(860) 437-0333	*	19989	2003	Family Practice/General Practice	
	NORWALK		FAIRFIELD						
	SWEENEY, MARGARET E	148 EAST AVENUE SUITE 1G1 06851-0000		(203) 838-1588	*	19485	1991	Internal Medicine	
	PACHMAN, JOSEPH S	OCCUP HEALTH SERVICES OF NORWALK HOSP, 520 WEST AVE 06850-		(203) 852-2417		02048	2004	Preventive Medicine/Public Health	
	PLAINVILLE		HARTFORD						
	HAGEDORN, MARK D	DOCTORS TREATMENT CTR, 240 EAST ST 06062-0000		(860) 747-4541	*	19468	1989	Emergency Medicine	
	STAMFORD		FAIRFIELD						
	SLUTSKY, RICHARD M.	MEDICAL ASSOCIATES OF STAMFORD 1100 BEDFORD STREET 06905-		(203) 323-4458	*	02060	2004	Internal Medicine	
	VERNON		TOLLAND						
	SHARON, MICHAEL R	VERNON COMMONS, 520 HARTFORD TURNPIKE UNIT P 06066-0000		(860) 872-0888		10150	1966	Internal Medicine	

CONNECTICUT - (Cont.)

WATERBURY

FORTIN VI, AUGUSTE H.

CHASE OUTPATIENT CENTER, 140 GRANDVIEW AVE STE
101 06708-0000

(203) 573-7284 20042 1998 Internal Medicine

WESTBROOK

CYRUS, ROGER W

WESTBROOK FAMILY PRACTICE, 4 GROVE BEACH RD P. O.
BOX 761 06498-2101

(860) 664-3553 * 16462 1981 Family Practice/General Practice

WINDSOR

P FORD, JAMES R

1080 DAY HILL ROAD 06095-0000

(860) 285-8017 * 13867 1975 Family Practice/General Practice

NEW HAVEN

MIDDLESEX

HARTFORD

MAINE

BANGOR

A P ATKINS II, HENRY H
BENSON, JEAN S.

78 RIDGEWOOD DR PO BOX 1809 04402-0000
INDEPENDENT MEDICAL ASSOCS, 78 RIDGEWOOD DR
04401-

(207) 947-0768 * 12681 1976 Family Practice/General Practice
(207) 947-0768 * 02053 2004 Family Practice/General Practice

HALLBERT, DAVID M

EVERGREEN WOODS PRIMARY CARE, 700 MOUNT HOPE
AVENUE SUITE 650 04401-

(207) 992-9510 20030 1996 Internal Medicine

BATH

HILL, DAVID S

1326 WASHINGTON STREET 04530-2459

(207) 443-6211 * 13818 1972 Family Practice/General Practice

BREWER

P GOTT DO, DANIEL C.

EASTERN MAINE MEDICAL CENTER, BREWER FAMILY
PRACTICE 234 STATE STREET 04412-

(207) 989-0550 02059 2004 Family Practice/General Practice

ELLSWORTH

GARFIELD, JANE W

MED - NOW ELLSWORTH 226 HIGH STREET 04605-0000

(207) 667-4655 20017 1994 Family Practice/General Practice

FALMOUTH

P EULE, MARK M

18 MARIGOLD LANE 04105-

(207) 576-6948 12031 1972 Family Practice/General Practice

P PAULDING, STEPHEN B

BOWDOIN MEDICAL GROUP, 74 GRAY RD 04105-

(207) 774-3070 02066 2005 Family Practice/General Practice

FORT FAIRFIELD

LITZ, HENRY A

19 PRESQUE ISLE STREET 04742-

(207) 472-1630 19708 1994 Emergency Medicine

GREENVILLE

DUBIEN, LAWRENCE H

PO BOX 1129 364 PRITHAM 04441-0000

(207) 695-2084 20016 1994 Family Practice/General Practice

LEWISTON

P WOLF, KENNETH P

249 MAIN STREET 04240-7023

(207) 786-0668 * 13844 1973 Ophthalmology

HOLLER, FREDERICK C

LOWELL COURT PROF BLDG, 12 BATES ST 04240-0000

(207) 782-1160 12372 2000 Otorhinolaryngology

MECHANIC FALLS

P SHORT, CHRISTOPHER L

MECHANIC FALLS FAMILY PRACTICE CENTER, 22
PLEASANT STREET 04256-

(207) 345-9729 02061 2004 Family Practice/General Practice

NORTH BERWICK

P HINTERMEISTER, CHARL

GOODALL HEALTH PARTNERS, 7 HIGH STREET 03906-

(207) 676-8559 02050 2004 Family Practice/General Practice

OWLS HEAD

A P TESSIER, PAUL A

MAINE ATLANTIC AVIATION, 19 TERMINAL LANE KNOX
COUNTY REGIONAL AIRPORT 04854-

(207) 596-5557 * 16446 1980 Urology

PEMBROKE

P MORSE JR, WILLARD J

292 HERSEY ROAD 04666-

(207) 726-5150 * 13827 1972 Family Practice/General Practice

PORTLAND

HOLLER, FREDERICK C

LOWELL COURT PROF BLDG, ONE CITY CENTER PO BOX
15275 04112-5275

(800) 424-3272 12372 2000 Otorhinolaryngology

PRESQUE ISLE

A P YOUNG, CRAIG W.

173 ACADEMY STREET 04769-0000

(207) 764-0376 16439 1979 Ophthalmology

P HIGGINS, GEORGE F.

14 DUDLEY STREET 04769-0000

(207) 769-4941 * 02207 1960 Family Practice/General Practice

SCARBOROUGH

P CHASE, HOWARD M

RT 1 AT SOUTHGATE RD PO BOX 488 04070-0488

(207) 883-4124 * 19443 1986 Family Practice/General Practice

SOUTH PORTLAND

P HINCKLEY, HARRIS

25 PHILLIPS RD 04106-4946

(207) 799-2235 * 19413 1983 Family Practice/General Practice

WATERVILLE

P AMALFITANO, ALBERT R

BOX 298 94 SILVER ST 04903-5924

(207) 873-0644 * 13819 1972 General Surgery

P MARRACHE, RONNIE C

ELM CITY MEDICAL ASSOCIATES, 109 SILVER ST
04901-0000

(207) 872-0866 19982 2002 Internal Medicine

PENOBSCOT

SAGADAHOC

PENOBSCOT

HANCOCK

CUMBERLAND

AROOSTOOK

PISCATAQUIS

ANDROSCOGGIN

ANDROSCOGGIN

YORK

KNOX

WASHINGTON

CUMBERLAND

AROOSTOOK

CUMBERLAND

CUMBERLAND

KENNEBEC

MASSACHUSETTS

AMHERST		HAMPSHIRE					
P	WEEBER III, CHARLES H	31 HALL DRIVE 01002-2554	(413) 256-8561	16443	1979	Family Practice/General Practice	
ATHOL		WORCESTER					
P	SKRZYPCZAK, JOHN M	ATHOL MEMORIAL HOSPITAL 2033 MAIN STREET 01331-0000	(978) 249-3511	19484	1991	Internal Medicine	
BEVERLY		ESSEX					
P	FRIEDMAN, STEPHEN V.	BEVERLY MUNICIPAL AIRPORT, 56 L.P. HENDERSON DR 01915-	(978) 927-5777 *	19966	2001	Aerospace Medicine	
BILLERICA		MIDDLESEX					
	PORTNAY, GARY I	BURLINGTON MEDICAL ASSOCIATES, 790 BOSTON ROAD 01821-	(781) 505-8700 *	13858	1974	Internal Medicine	
BOSTON		SUFFOLK					
P	KEARNEY, GARY P	319 LONGWOOD AVENUE 02115-5710	(617) 277-0100 *	16362	1982	Urology	
P	MUSHLIN, STUART B	BRIGHAM WOMENS HOSP DEPT OF MEDICINE, 75 FRANCIS ST 02115-0000	(617) 732-7063 *	20007	1994	Internal Medicine	
	BURRESS, JOHN W	OCCUPATL & ENVIRONMENTAL MED, BOSTON MED CTR PRESTON FAM BLDG F-5 732 HARRISON AVE 02118-0000	(617) 638-8400 *	19977	2001	Family Practice/General Practice	
CAMBRIDGE		MIDDLESEX					
P	RISSER, THOMAS A	CAMBRIDGE HOSPITAL, 1493 CAMBRIDGE ST 02139-0000	(617) 665-1025 *	19493	1991	Internal Medicine	
	CHALFEN, MELVIN H	1493 CAMBRIDGE ST 02139-0000	(617) 665-3820	04884	1960	Internal Medicine	
CARLISLE		MIDDLESEX					
	BLANKENSHIP, SUSAN E	233 NOWELL FARME 01741-	(978) 369-7063	19911	1994	Internal Medicine	
CONCORD		MIDDLESEX					
P	BREDA, JOHN A.	CONCORD CLINIC, 56 WINTHROP ST. UNIT 1 01742-	(781) 444-2230	02065	2005	Internal Medicine	
FALL RIVER		BRISTOL					
	ZUZARTE, KARL M	INTERNAL MED & CARDIO ASSOC, SOUTHEASTERN NEW ENGLAND 1565 N MAIN ST 02720-0000	(508) 675-0369 *	19979	2001	Internal Medicine	
FALMOUTH		BARNSTABLE					
	ADAMS, RICHARD C.	18 BRAMBLEBUSH PARK 02540-0000	(508) 457-4755 *	19486	1991	Pediatrics	
P	HAMRE, PETER J.	18 BRAMBLEBUSH PARK 02540-0000	(508) 457-4755 *	16370	1977	Urology	
FOXBORO		NORFOLK					
	ADAMS, JOHN J	LAHEY FOXBORO, 113 WASHINGTON ST 02035-0000	(508) 543-1553	19446	1987	Internal Medicine	
GROTON		MIDDLESEX					
P	BORDEN, ROBERT S	306 MAIN ST PO BOX 500 01450-0000	(978) 448-5949 *	13848	1974	Family Practice/General Practice	
HYANNIS		BARNSTABLE					
	RYMZO JR, WALTER T	CAPE COD MEDICAL CENTER, 40 QUINLAN WAY STE 206 02601-0000	(508) 778-8835 *	16418	1979	Internal Medicine	
LEOMINSTER		WORCESTER					
	MURPHY, JOHN J	MEDICAL BUILDING, 50 MEMORIAL DR STE 102 01453-2298	(978) 534-4414	16444	1980	Internal Medicine	
	SWOTINSKY, ROBERT B	FALLON CLINIC - DEPT OCCUP HLTH, 165 MILL STREET 01453-0000	(978) 466-3209	19980	2002	Occupational/Industrial Medicine	
LEXINGTON		MIDDLESEX					
	GUARDINO, ERIC E	16 CLARK STREET UNIT 4B 02173-0000	(781) 862-6053 *	19455	1988	Internal Medicine	
LYNN		ESSEX					
	DUDANI, NIRANJAN	214 OCEAN STREET 01902-0000	(781) 595-6800 *	11624	1974	Aerospace Medicine	
MALDEN		MIDDLESEX					
	FALLER, FELICITO L.	17 WALNUT ST. PO BOX 526 02148-	(781) 321-3470	02069	2005	Family Practice/General Practice	
MARLBORO		MIDDLESEX					
P	HILL, ARNOLD J	320 BOLTON ST #100 01752-0000	(508) 485-0104 *	19490	1991	Internal Medicine	
MARSHFIELD		PLYMOUTH					
	HANNA, THARWAT A.	435 FURNACE ST 02050-0000	(781) 834-4234 *	20040	1998	Internal Medicine	
MELROSE		MIDDLESEX					
	MUDROCK, JOHN DAVID	536 FRANKLIN ST 02176-0000	(781) 662-2310	19464	1989	Internal Medicine	
NANTUCKET		NANTUCKET					
P	GITLOW, STUART	NANTUCKET FAMILY & CHILDREN'S SERVICE, 20 VESPER LANE 02554-	(508) 228-2689	02073	2006	Psychiatry	
NEWBURYPORT		ESSEX					
P	TURNQUIST, PAUL E.	HIGHLAND PRIMARY CARE, 21 HIGHLAND AVE 01950-	(978) 463-7770 *	25056	2005	Family Practice/General Practice	

MASSACHUSETTS - (Cont.)

NEWTON		MIDDLESEX						
	GORDY, EDWIN	17 OTIS STREET 02460-0000	(617) 527-0227	13887	1976	Family Practice/General Practice		
NORTH ANDOVER		ESSEX						
P	WARNOCK, RICHARD N	200 SUTTON STREET 01845-1656	(978) 686-6464 *	19431	1985	Orthopedic Surgery		
NORWOOD		NORFOLK						
	WAINER, ROBERT A	95 CHAPEL STREET 02062-3155	(781) 762-1805 *	13853	1974	Internal Medicine		
PITTSFIELD		BERKSHIRE						
	STEIN, KENNETH D	BERKSHIRE OCCUP HEALTH, 165 TOR COURT 01201-	(413) 447-2684 *	02047	2004	Family Practice/General Practice		
	ADAMO, PHILIP	OCCUPATIONAL MEDICINE SERVICES, 15 STODDARD AVENUE 01201-	(413) 443-7799	02080	2008	Internal Medicine		
SOMERVILLE		MIDDLESEX						
P	SPEHLING, ARNOLD L	58 DAY ST 02144-0000	(617) 628-3710 *	17499	1981	Obstetrics/Gynecology		
SOUTH BOSTON		SUFFOLK						
A	ROSENGARD, DAVID E	380 WEST BROADWAY 02127-2215	(617) 268-1500 *	02208	1960	Family Practice/General Practice		
SOUTH YARMOUTH		BARNSTABLE						
P	MALAQUIAS, STEPHEN W	257 STATION AVENUE 02664-1842	(508) 394-8303 *	16442	1980	Internal Medicine		
SPRINGFIELD		HAMPDEN						
P	ALIFANO JR, JOHN J	FAMILY CARE MEDICAL CENTER, 1515 ALLEN ST 01118-0000	(413) 783-9114 *	16399	1978	Internal Medicine		
P	CALVANESE, ALPHONSE	299 CAREW ST SUITE 426 01104-0000	(413) 732-8060	16470	1981	Internal Medicine		
TURNERS FALLS		FRANKLIN						
P	GAVRYCK, WAYNE A	8 BURNHAM ST 01376-0000	(413) 774-5554	16491	1983	Internal Medicine		
WALTHAM		MIDDLESEX						
P	ALPER, MICHAEL M	130 SECOND AVE 02451-0000	(781) 434-6500	19440	1986	General Surgery		
WAYLAND		MIDDLESEX						
P	SPEHLING, ARNOLD L	241 BOSTON POST ROAD 01778-1889	(508) 358-5707 *	17499	1981	Obstetrics/Gynecology		
WESTFIELD		HAMPDEN						
	BASHIRUDDIN, BASHIR	FAMILY MED ASSOC, 75 SPRINGFIELD RD 01085-0000	(413) 562-5173 *	19491	1991	Internal Medicine		
	REYNOLDS, LANCE D	FAMILY MEDICINE ASSOCIATES, 75 SPRINGFIELD RD STE 1 01085-0000	(413) 562-5173 *	19987	2003	Internal Medicine		
P	BOTHNER, PAUL M	FAMILY MED ASSOC, 75 SPRINGFIELD RD 01085-1832	(413) 562-5173 *	13881	1976	Family Practice/General Practice		
WORCESTER		WORCESTER						
	CELONA, FLORINDO J	OCCUP HEALTH DEPT, FALLON CLNC 630 PLANTATION ST 01605-0000	(508) 852-0600 *	16486	1983	Internal Medicine		
NEW HAMPSHIRE								
BEDFORD		HILLSBOROUGH						
	GARHART, SALLY J	20 WASHINGTON PLACE 2ND FLOOR 03110-0000	(603) 625-2622 *	20047	1999	Internal Medicine		
BERLIN		COOS						
P	GLENNEY, CHRISTOPHEI	ST LUKE MEDICAL CENTER 7 PAGE HILL ROAD 03570-0000	(603) 752-7750	19461	1989	Cardiovascular Surgery		
CLAREMONT		SULLIVAN						
P	BARNES, ROY M	VALLEY FAMILY PHYSICIANS, 55 TYLER STREET 03743-	(603) 543-1251	02083	2007	Family Practice/General Practice		
CONCORD		MERRIMACK						
P	MURPHY, RICHARD K	CONCORD SURGICAL ASSOCIATES, 246 PLEASANT ST MEMORIAL BLDG STE 205 03301-0000	(603) 224-0584	19981	2002	Cardiovascular Surgery		
DOVER		STRAFFORD						
P	RICHARDS, PETER R	1 WEBB PLACE STE 10 03820-0000	(603) 749-7979 *	16381	1977	Family Practice/General Practice		
EXETER		ROCKINGHAM						
	ZWAAN, ANTHONY C.	19 HAMPTON RD STE 1 03833-	(603) 773-2225	02062	2005	Family Practice/General Practice		
GILFORD		BELKNAP						
P	MEKLER, ALAN	HILLSIDE MED PARK-OPA, 14 MAPLE ST #500 03249-0000	(603) 528-9100	20052	1999	Anesthesiology		
KEENE		CHESHIRE						
	HENECHAN, HELEN E	CHESHIRE MEDICAL ASSOC, 69 C ISLAND ST 03431-0000	(603) 354-6700	19985	2003	Family Practice/General Practice		
LACONIA		BELKNAP						
	MARKERT, CRAIG W	LACONIA CLNC 724 MAIN STREET 03246-0000	(603) 524-5151	16395	1978	Internal Medicine		

NEW HAMPSHIRE - (Cont.)

LEBANON

MURRAY, CAROLYN J. DARTMOUTH-HITCHCOCK MED CTR, 1 MEDICAL CENTER (603) 650-7018 * 20038 1998 Occupational/Industrial Medicine
 DR 03756-0000
 P BUCKEY JR, JAY C DARTMOUTH-HITCHCOCK, ONE MEDICAL CTR DR (603) 650-7018 * 20058 2000 Internal Medicine
 03756-0000

MANCHESTER

TZIANABOS, STEPHEN A ELLIOT OCCUP HEALTH SERVICES, 275 MAMMOTH RD STE (603) 663-8400 * 16476 1982 Cardiovascular Surgery
 3 03109-4127

NASHUA

FRAMPTON, ROY DON'T, 166 KINSLEY STREET SUITE 203 03060- (603) 673-0205 * 13824 1972 Family Practice/General Practice

NEW LONDON

POWELL, JEFFREY D 249 COUNTY RD SUITE 201 03257-1560 (603) 526-6911 * 16468 1981 Internal Medicine

PITTSFIELD

P ZAHN, ROBERT J PITTSFIELD MED/SURG PA 44 LOUDON ROAD 03263-0000 (603) 435-8336 * 19424 1984 Family Practice/General Practice

PLAISTOW

A PACKARD, ARTEMAS J W 75 MAIN ST PO BOX 265 03865-0000 (603) 382-4733 * 10439 1970 Aerospace Medicine

PLYMOUTH

REISERT, JEFFREY T TENNEY MOUNTAIN INTERNAL MEDICINE, 251 MAYHEW (603) 536-6355 20053 2000 Internal Medicine
 TURNPIKE 03264-3026

PORTSMOUTH

BECK, PETER 43 AUSTIN STREET 03801-4307 (603) 436-0813 * 01936 1958 Ophthalmology

SALEM

RAY, JOSEPH HARRY SALEM OCCUPATIONAL/ACUTE CARE, 22 MAIN STREET (603) 898-0961 02086 2007 Internal Medicine
 03079-

SANBORNVILLE

P BADMAN, DENNIS S WAKEFIELD FAMILY MEDICINE, 131 MEADOW ST (603) 522-5010 20041 1998 Family Practice/General Practice
 03872-4329

RHODE ISLAND

BRISTOL

P ROSS, JAMES A BRISTOL CO MED CTR, 1180 HOPE ST 02809-0000 (401) 253-8900 * 19496 1991 Internal Medicine

COVENTRY

P COLLINS, DANIEL F PAWTUXET VALLEY URGENT CARE, 982 TIOGUE AVE (401) 821-6800 * 16474 1982 Family Practice/General Practice
 02816-0000

P BROWN, BEVERLY M. 134 SANDY BOTTOM RD 02816- (401) 821-0332 16401 1978 Family Practice/General Practice

EAST GREENWICH

ASHLEY, DAVID W. UMF FAMILY MEDICINE CENTER, 1351 S COUNTY TRAIL (401) 398-0860 * 02045 2004 Family Practice/General Practice
 02818-0000

NARRAGANSETT

BARRETT, JOHN W 360 KINGSTOWN ROAD 02882-0000 (401) 783-3334 * 19705 1994 Internal Medicine

PROVIDENCE

RUGGIERI, RICHARD J. 160 WAYLAND AVENUE 02906-0000 (401) 521-1221 * 19483 1991 Internal Medicine

WARWICK

KERZER, MARTIN J POST ROAD MED GRP, 857 POST RD 02888-0000 (401) 467-3115 * 19425 1984 Family Practice/General Practice
 MAC MILLAN, JO ANN D EOSI, 300 TOLLGATE RD 02886-0000 (401) 732-6900 * 20033 1997 Otorhinolaryngology

VERMONT

BARRE

P BELDING, RALPH M 5 BELDING RD 05641-0000 (802) 476-5048 19984 2002 Pathology

BURLINGTON

LANDRY, FRANK J. LANDRY & BRANDES MD'S, 1205 NORTH AVENUE 05401- (802) 863-1313 02046 2004 Internal Medicine
 PENNEY, ROBERT A. BURLINGTON PRIMARY CARE, 789 PINE STREET 05401- (802) 864-0693 02077 2007 Family Practice/General Practice

CHARLOTTE

P WEISMAN, LEE F. CHARLOTTE FAMILY HLTH CTR, PO BOX 38 FERRY ROAD (802) 425-2781 20045 1998 Family Practice/General Practice
 05445-0000

ESSEX JUNCTION

P MAJERCIK, DONALD A. 18 PEARL STREET 05452-3605 (802) 879-6681 * 16363 1976 General Surgery

VERMONT - (Cont.)

RUTLAND

RUTLAND

P	WEAVER, HOWARD A	254 STRATTON ROAD 05701-4623	(802) 775-5531	*	13846	1973	Internal Medicine
	EGBERT, CHARLES C.	GREEN MOUNTAIN FAMILY MEDICINE, 71 ALLEN ST STE #203 05701-	(802) 775-7798		02052	2004	Family Practice/General Practice

SOUTH BURLINGTON

CHITTENDEN

P	SCHWARTZBERG, JOSH	1150 AIRPORT DR STE 101 05403-	(877) 362-5674	*	16529	1993	Family Practice/General Practice
---	--------------------	--------------------------------	----------------	---	-------	------	----------------------------------

ST JOHNSBURY

CALEDONIA

P	JAUCH, ROBERT J	714 BREEZY HILL RD 05819-0000	(802) 748-5126		16416	1979	Otorhinolaryngology
---	-----------------	-------------------------------	----------------	--	-------	------	---------------------