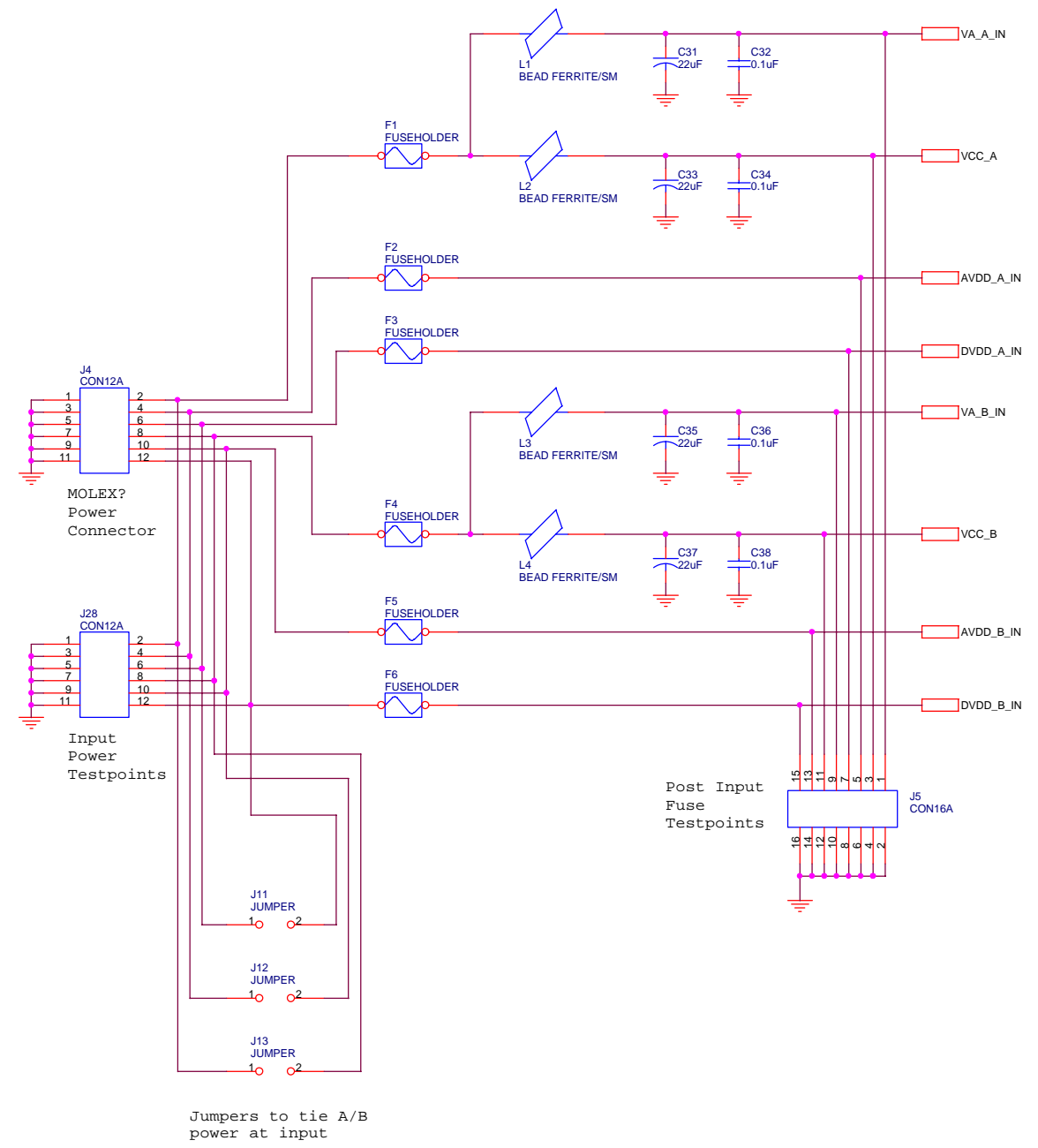
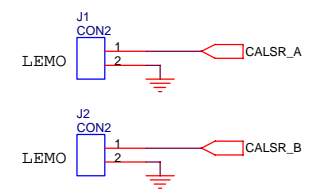
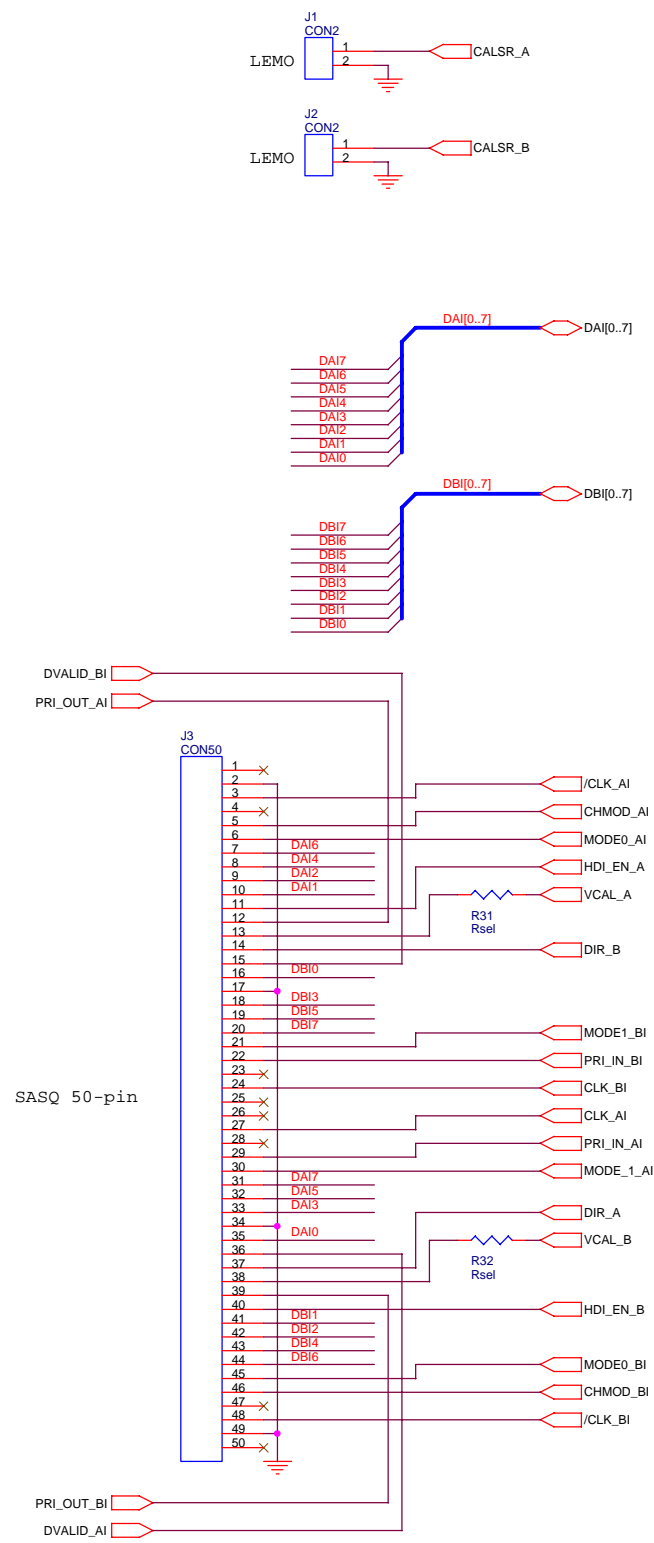

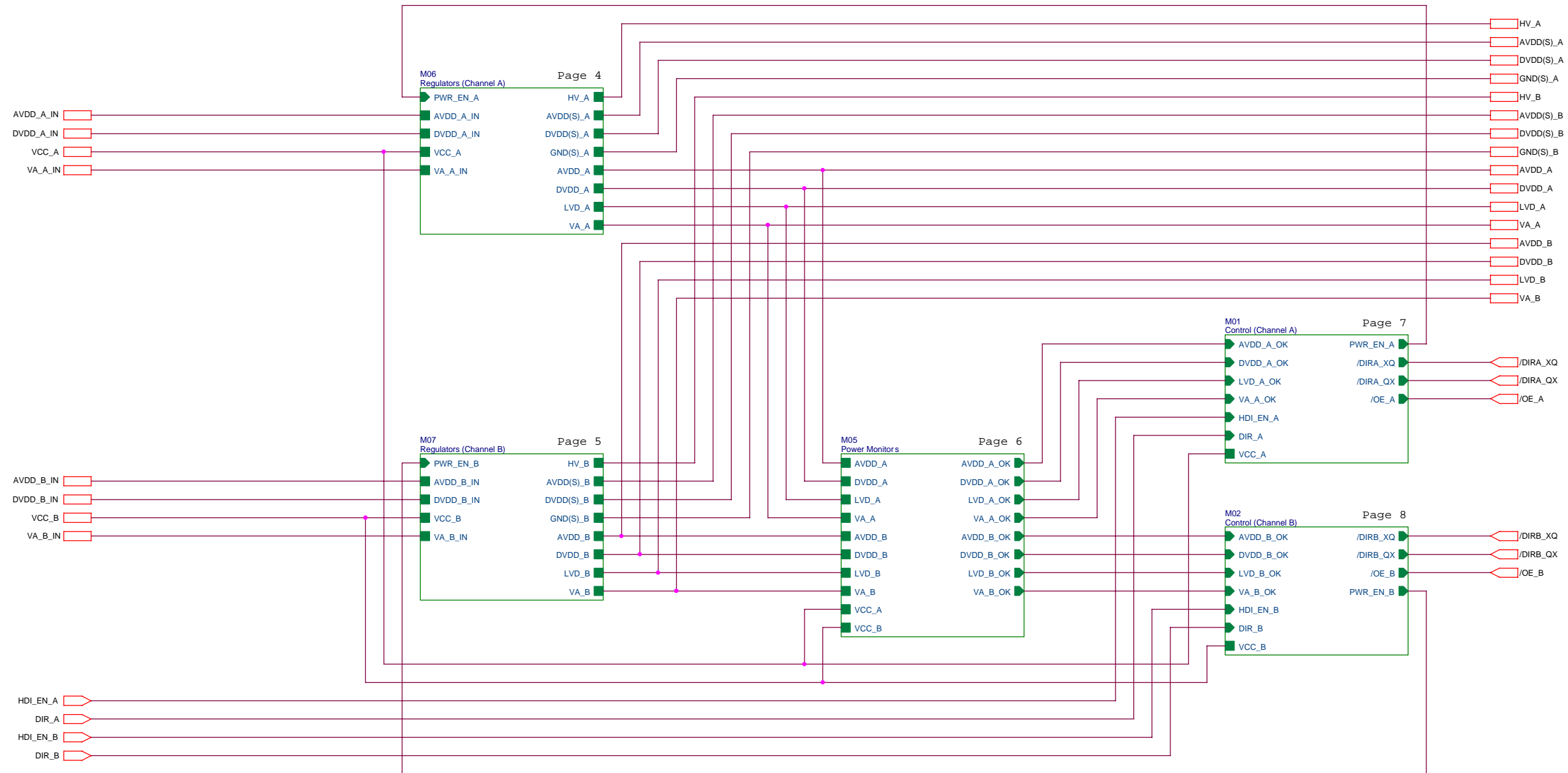
 Electronics Design Laboratory		Electronics Design Laboratory 124 Burt Hall Kansas State University Manhattan, KS 66506-0400 785-532-7826	
		Project: DZero Purple Card	
Project Code: HEP040		Page Title: Purple Card Top Level	
Approvals:	Rev. 1.0	Page Date: Tuesday, March 05, 2002	CAGE Code: 4B817
Size: C	Design Date: Tuesday, March 05, 2002	Sheet 1 of 15	




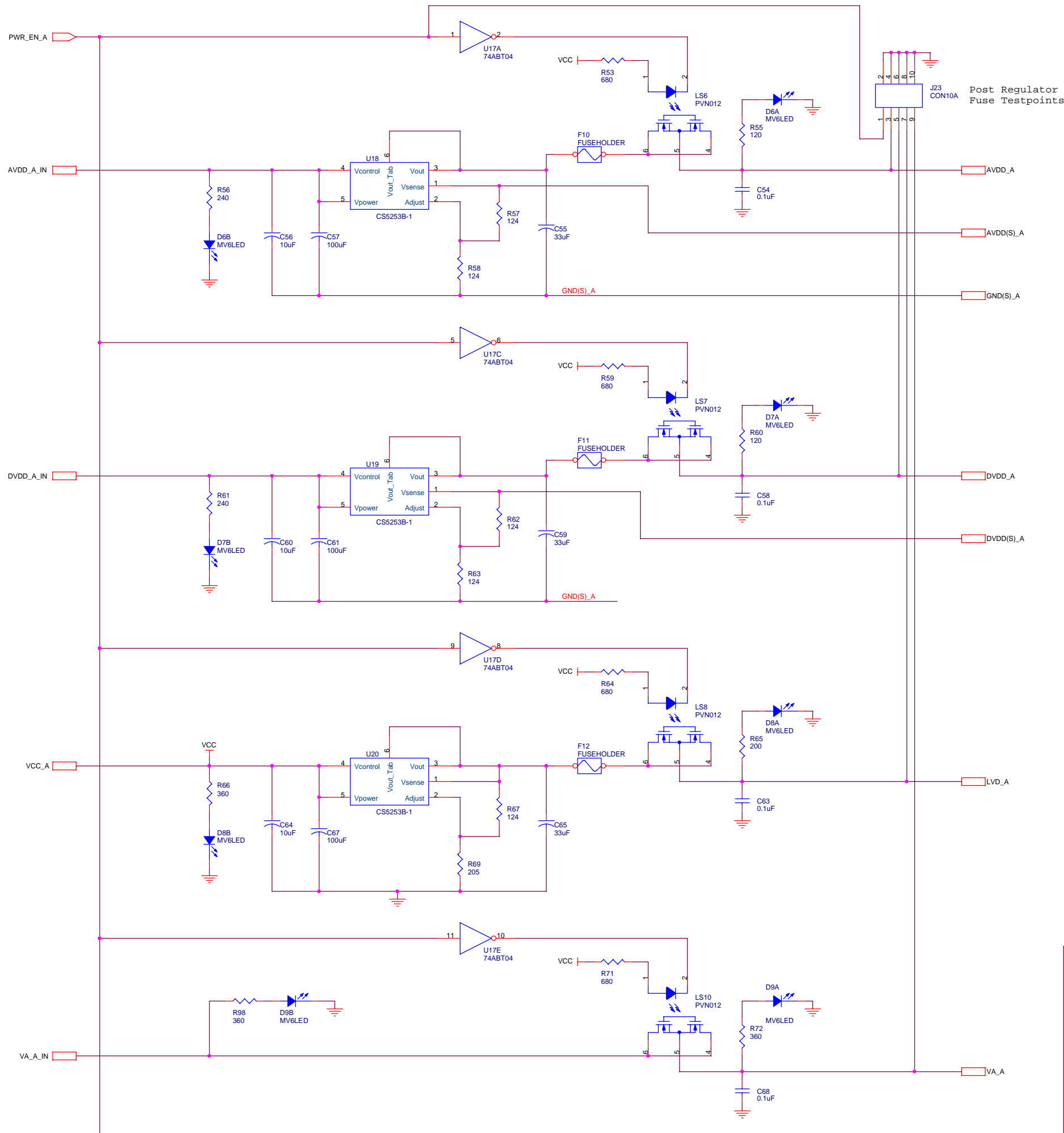
Need R31,
R32
values

Jumpers to tie A/B
power at input

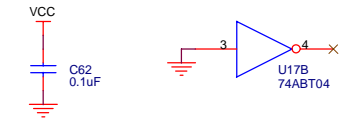
 Electronics Design Laboratory		Electronics Design Laboratory 124 Burt Hall Kansas State University Manhattan, KS 66506-0400 785-532-7826	
		Project: DZero Purple Card	
Project Code: HEP040		Page Title: Input Connectors (Channels A and B)	
Approvals:	Rev. 1.0	Page Date: Tuesday, March 05, 2002	CAGE Code: 4B817
	Size: C	Design Date: Tuesday, March 05, 2002	Sheet 2 of 15



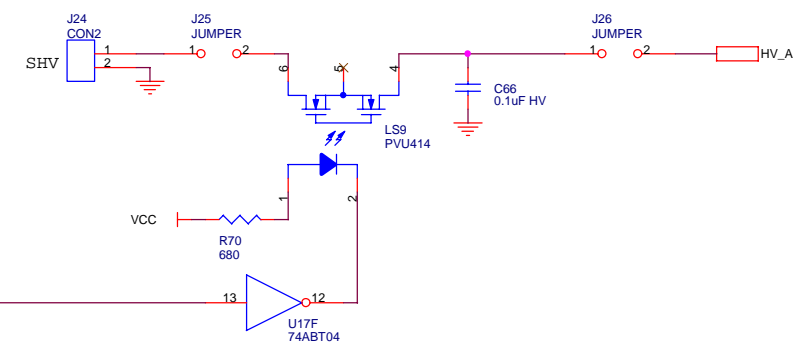
 Electronics Design Laboratory		Electronics Design Laboratory 124 Burt Hall Kansas State University Manhattan, KS 66506-0400 785-532-7826	
		Project: DZero Purple Card	
Project Code: HEP040		Page Title: Power, Control, and Monitoring Top Level	
Approvals:	Rev. 1.0	Page Date: Tuesday, March 05, 2002	CAGE Code: 4B817
	Size: C	Design Date: Tuesday, March 05, 2002	Sheet 3 of 15




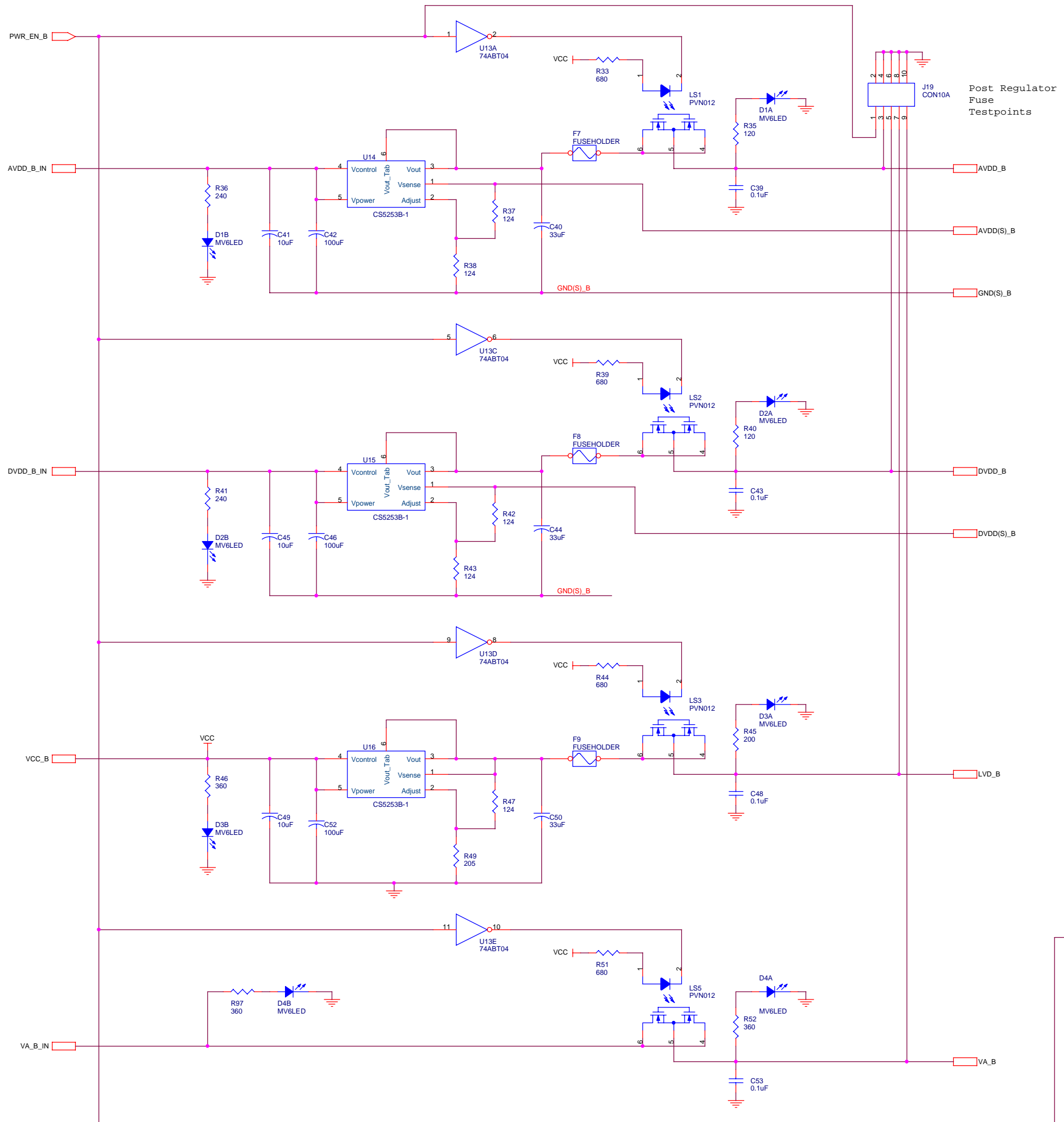
As configured, dropout voltage for regulators is 1.3V max.



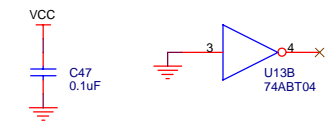
For 1kV operation, tie J25 pin 1 to J26 pin 2 with HV wire



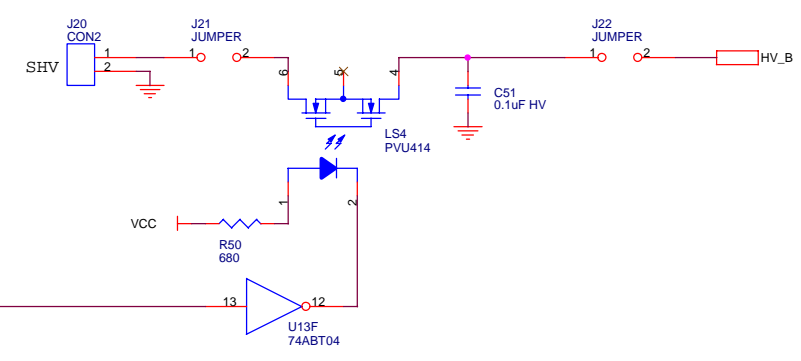
 Electronics Design Laboratory		Electronics Design Laboratory 124 Burt Hall Kansas State University Manhattan, KS 66506-0400 785-532-7826	
		Project: DZero Purple Card	
Project Code: HEP040		Page Title: Regulators (Channel A)	
Approvals:	Rev. 1.0	Page Date: Tuesday, March 05, 2002	CAGE Code: 4B817
	Size: C	Design Date: Tuesday, March 05, 2002	Sheet 4 of 15




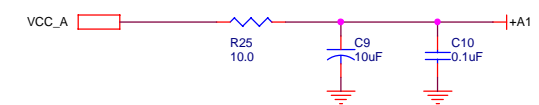
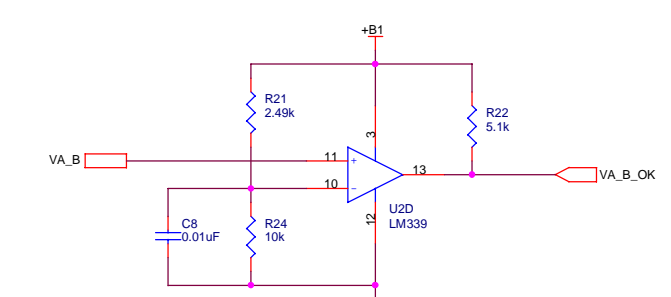
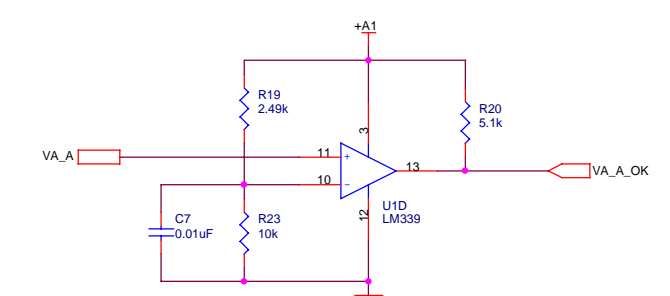
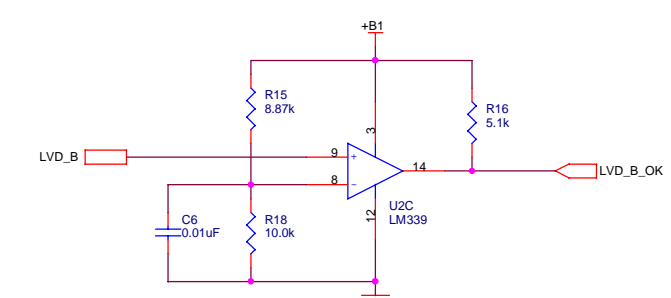
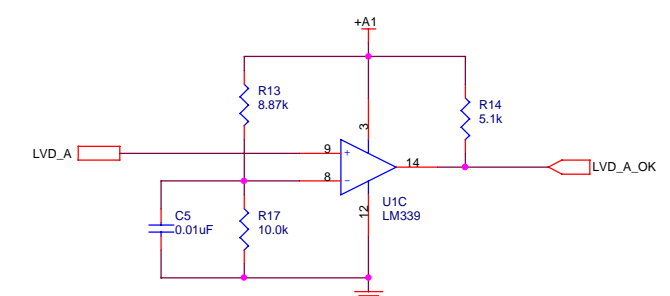
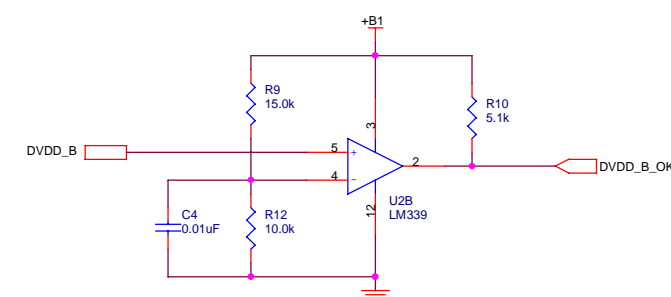
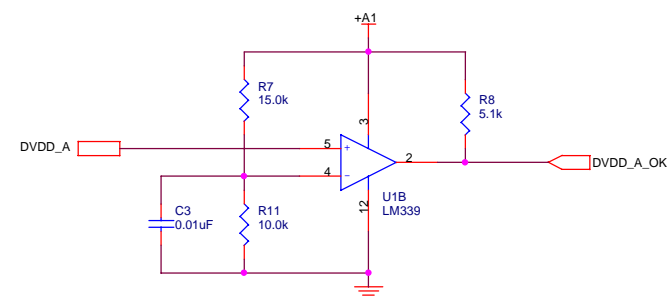
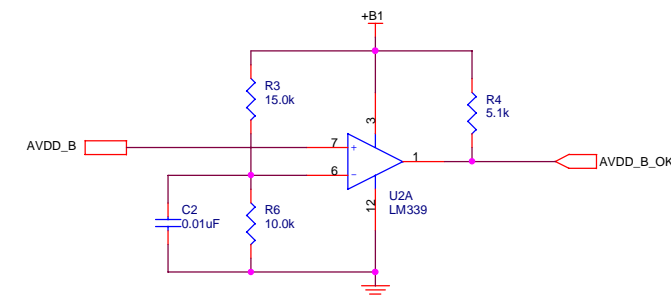
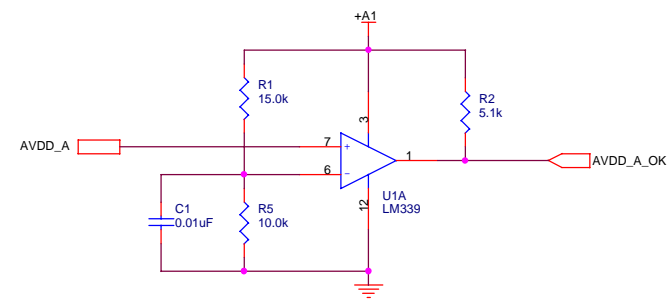
As configured, dropout voltage for regulators is 1.3V max.



For 1kV operation, tie J21 pin 1 to J22 pin 2 with HV wire

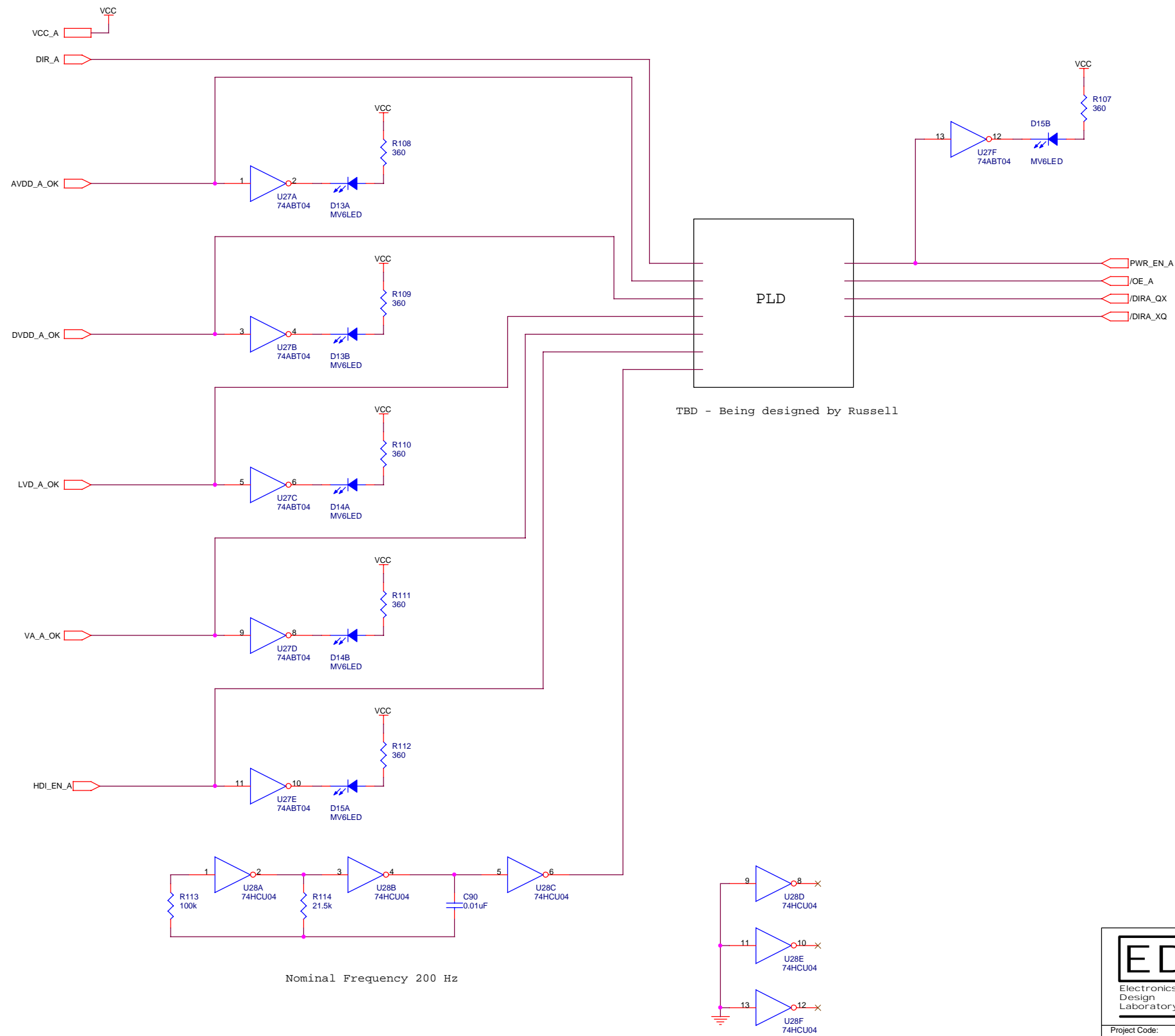



 Electronics Design Laboratory		Electronics Design Laboratory 124 Burt Hall Kansas State University Manhattan, KS 66506-0400 785-532-7826	
		Project: DZero Purple Card	
Project Code: HEP040		Page Title: Regulators (Channel B)	
Approvals:	Rev. 1.0	Page Date: Tuesday, March 05, 2002	CAGE Code: 4B817
	Size: C	Design Date: Tuesday, March 05, 2002	Sheet 5 of 15

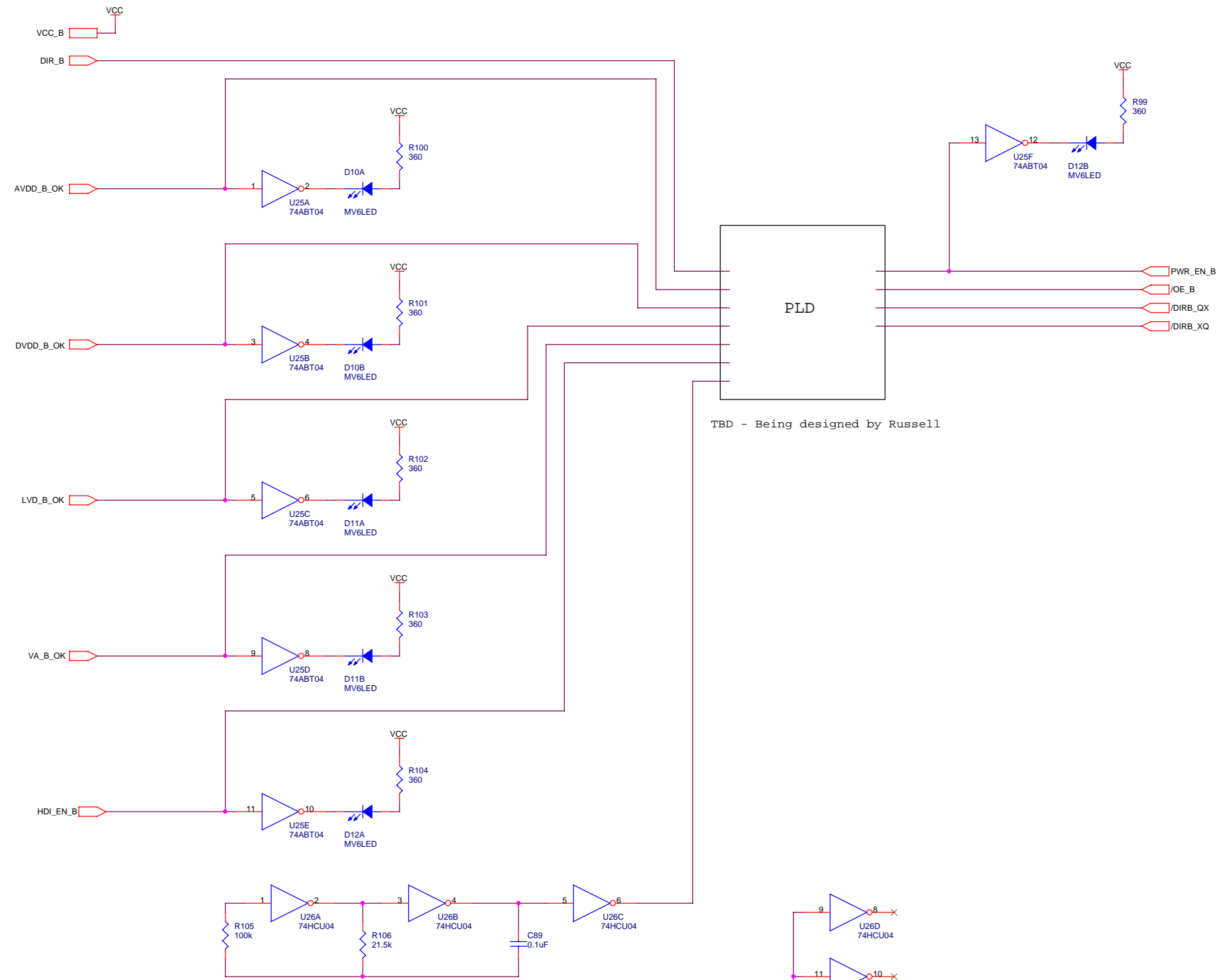


Circuits only check for nominal voltage 80% of desired


		Electronics Design Laboratory 124 Burt Hall Kansas State University Manhattan, KS 66506-0400 785-532-7826	
		Project: DZero Purple Card	
Project Code: HEP040		Page Title: Power Monitors (Channels A and B)	
Approvals:	Rev. 1.0	Page Date: Tuesday, March 05, 2002	CAGE Code: 4B817
	Size: C	Design Date: Tuesday, March 05, 2002	Sheet 6 of 15

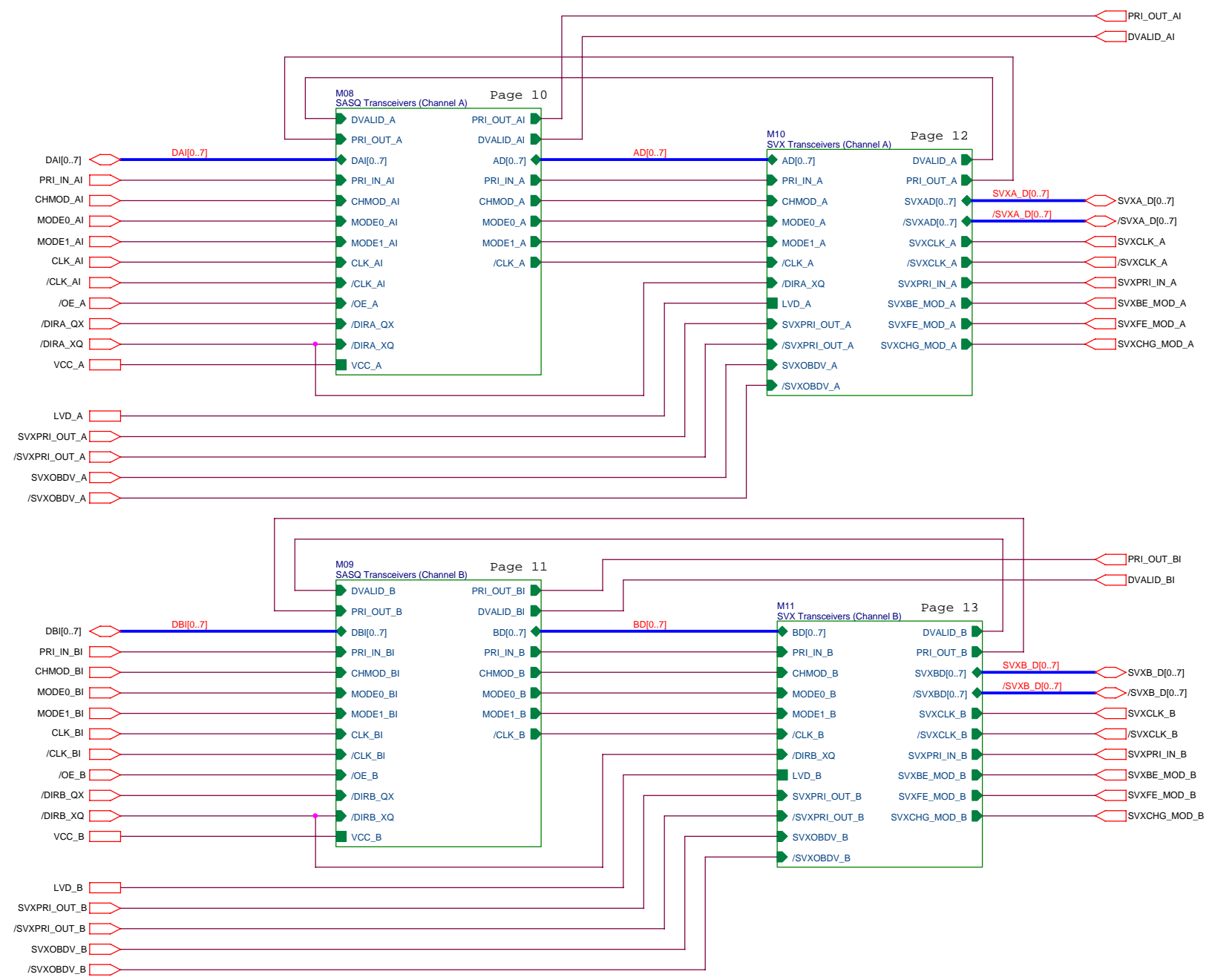



 Electronics Design Laboratory		Electronics Design Laboratory 124 Burt Hall Kansas State University Manhattan, KS 66506-0400 785-532-7826	
		Project: DZero Purple Card	
Project Code: HEP040		Page Title: Control (Channel A)	
Approvals:	Rev. 1.0	Page Date: Tuesday, March 05, 2002	CAGE Code: 4B817
	Size: C	Design Date: Tuesday, March 05, 2002	Sheet 7 of 15

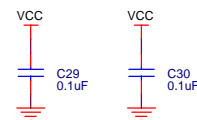
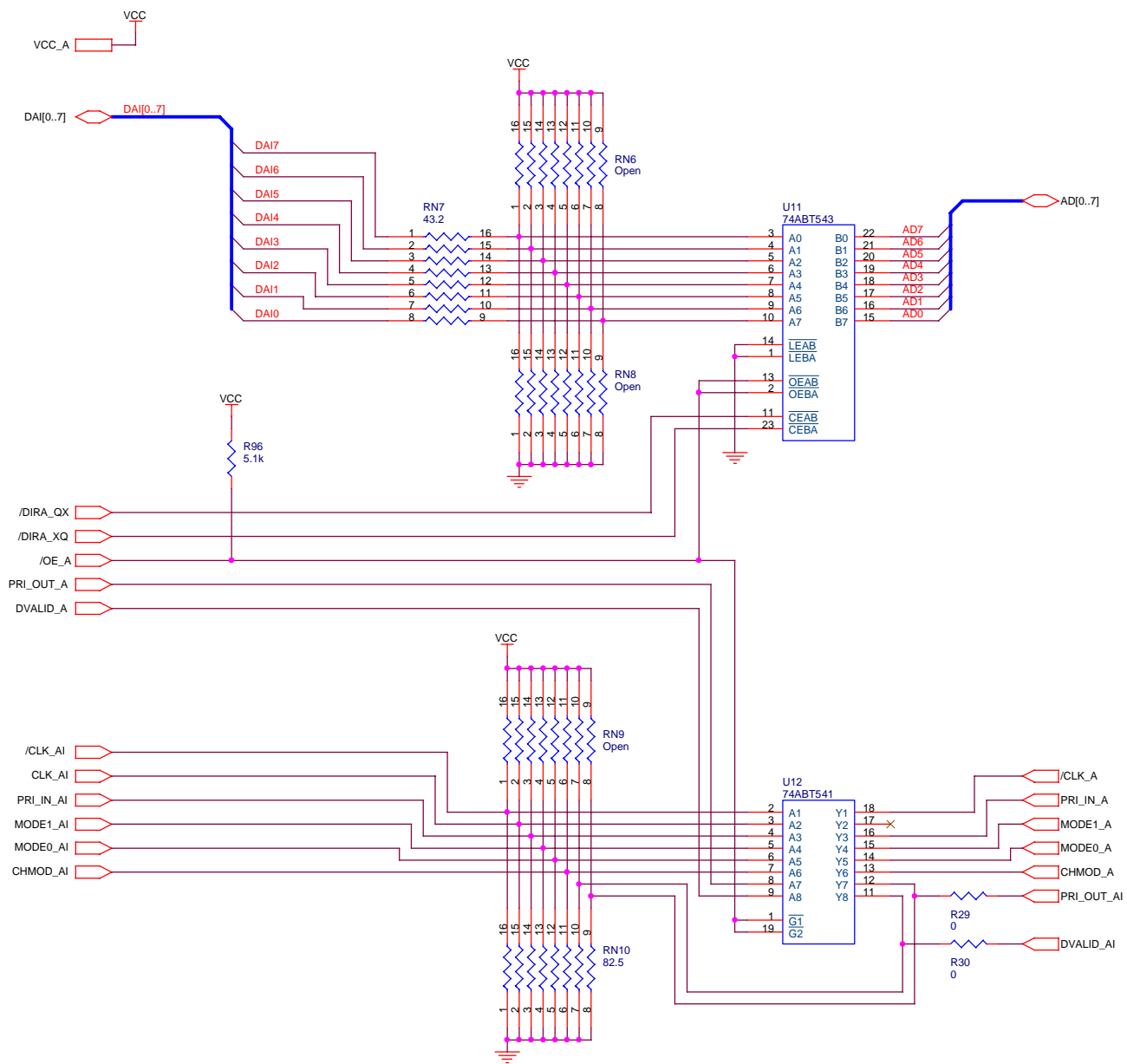


Nominal Frequency 200 Hz

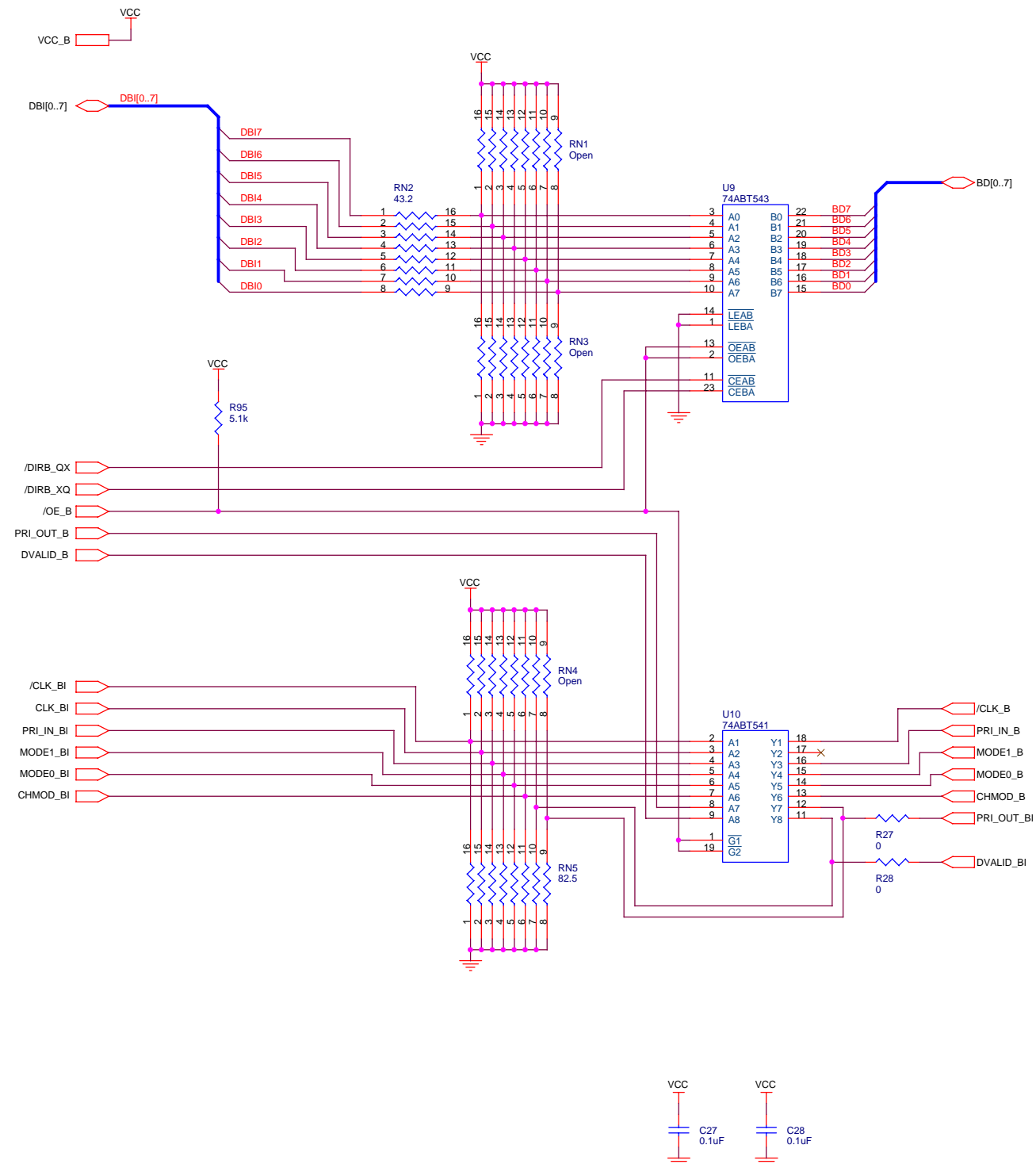
 Electronics Design Laboratory		Electronics Design Laboratory 124 Burt Hall Kansas State University Manhattan, KS 66506-0400 785-532-7826	
		Project: DZero Purple Card	
Project Code: HEP040		Page Title: Control (Channel B)	
Approvals:	Rev. 1.0	Page Date: Tuesday, March 05, 2002	CAGE Code: 4B817
	Size: C	Design Date: Tuesday, March 05, 2002	Sheet 8 of 15




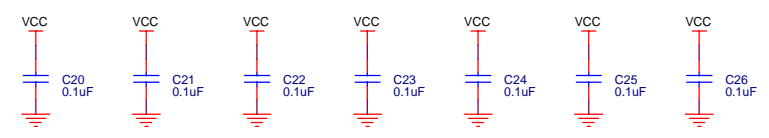
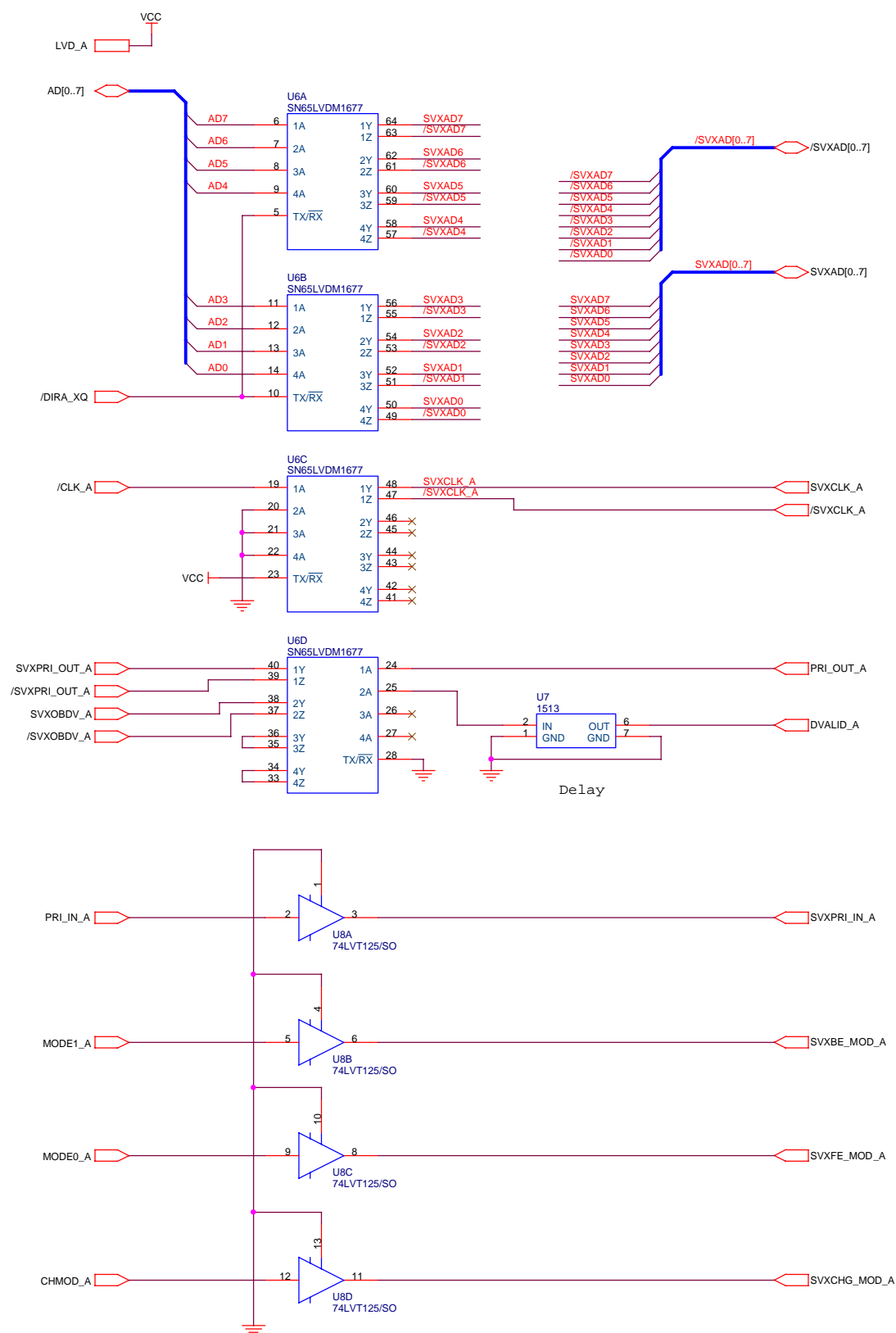
 Electronics Design Laboratory	Electronics Design Laboratory 124 Burt Hall Kansas State University Manhattan, KS 66506-0400 785-532-7826		
	Project: DZero Purple Card		
Project Code: HEP040	Page Title: Transceivers Top Level		
Approvals:	Rev. 1.0	Page Date: Tuesday, March 05, 2002	CAGE Code: 4B817
	Size: C	Design Date: Tuesday, March 05, 2002	Sheet 9 of 15




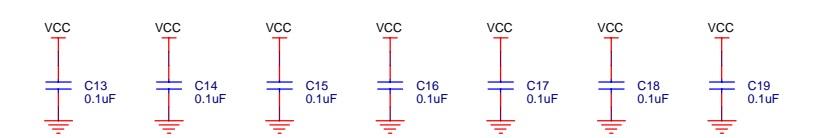
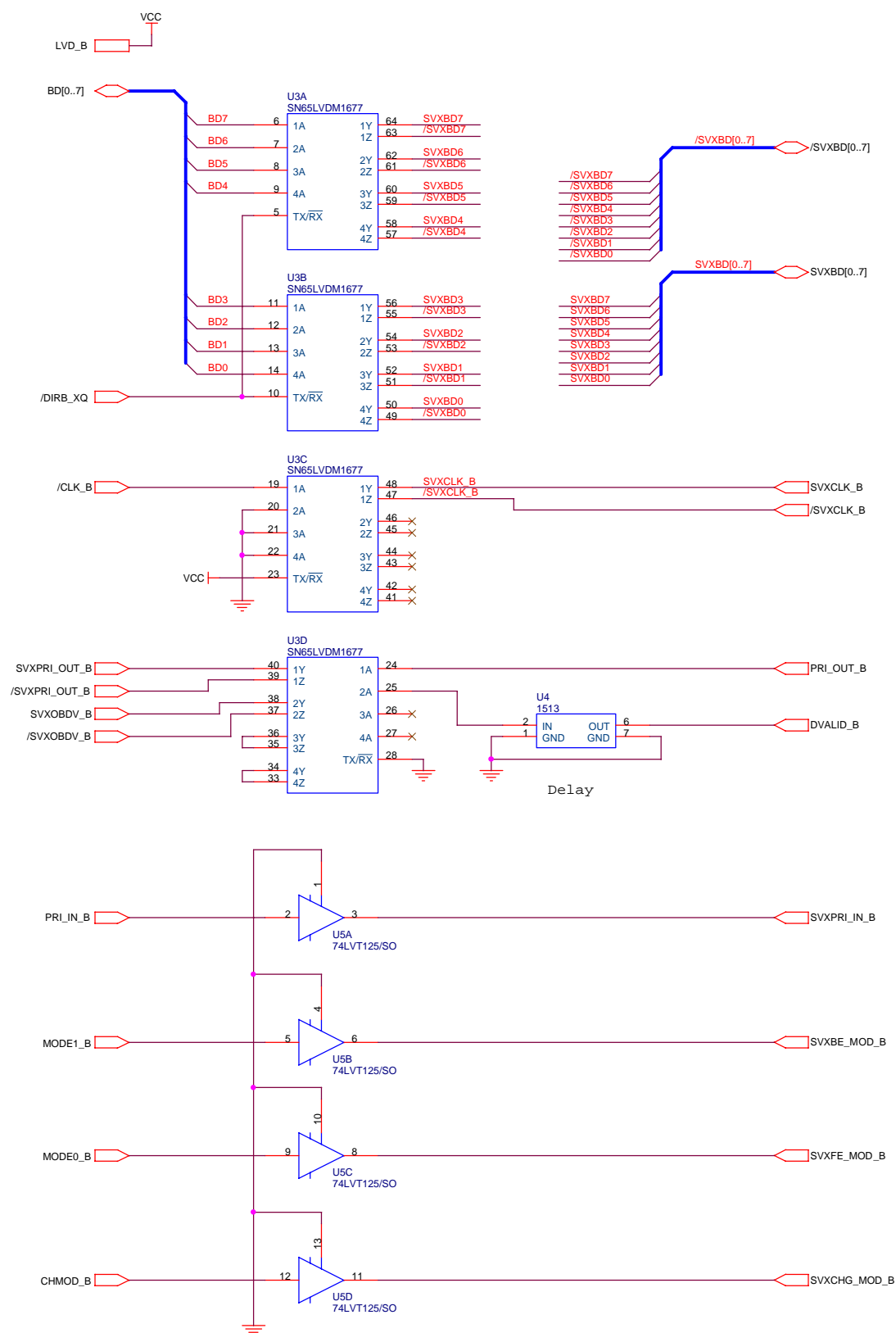
		Electronics Design Laboratory 124 Burt Hall Kansas State University Manhattan, KS 66506-0400 785-532-7826	
		Project: DZero Purple Card	
Project Code: HEP040		Page Title: SASQ Transceivers (Channel A)	
Approvals:	Rev. 1.0	Page Date: Monday, March 04, 2002	CAGE Code: 4B817
	Size: C	Design Date: Monday, March 04, 2002	Sheet 10 of 15




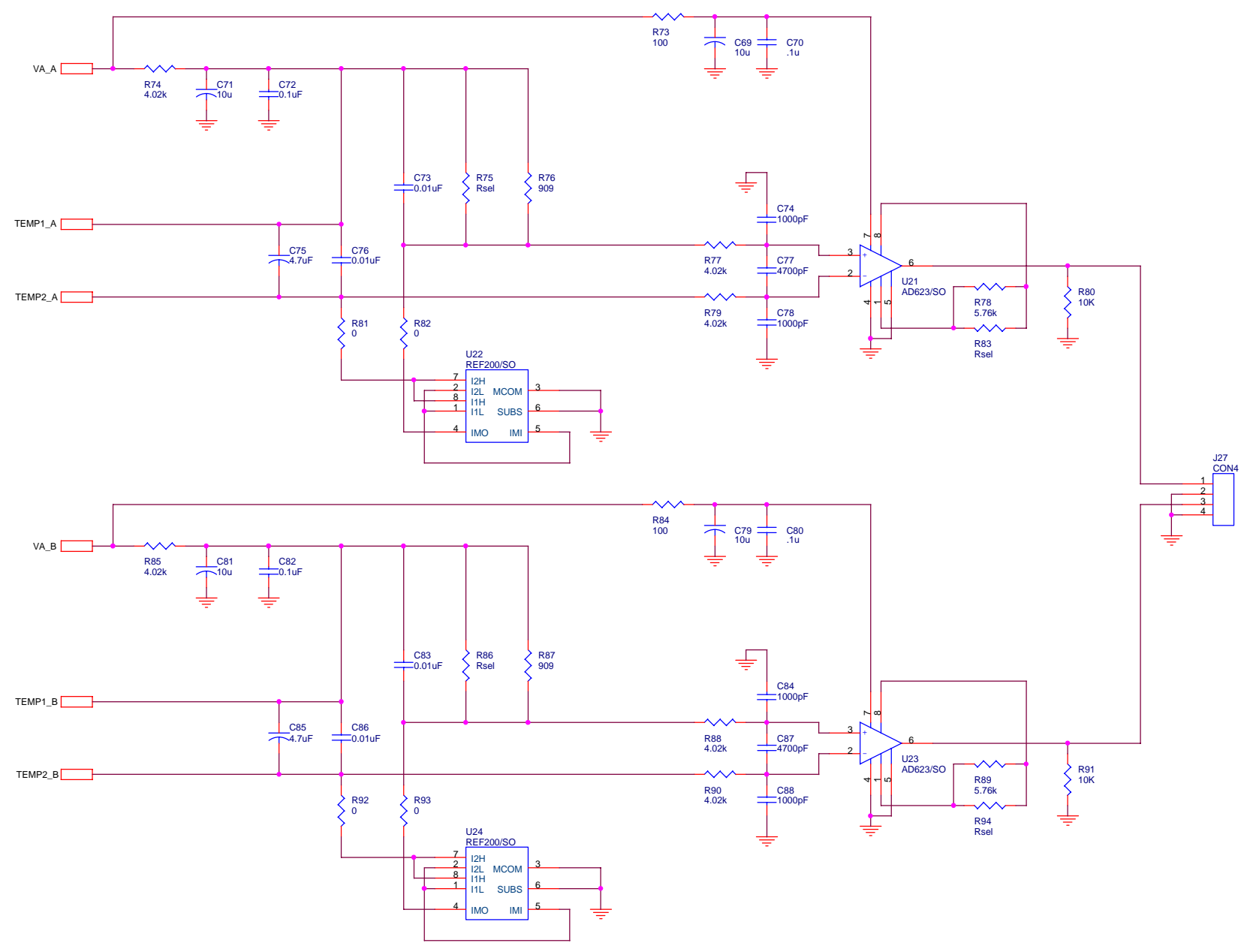
 Electronics Design Laboratory		Electronics Design Laboratory 124 Burt Hall Kansas State University Manhattan, KS 66506-0400 785-532-7826	
		Project: DZero Purple Card	
Project Code: HEP040		Page Title: SASQ Transceivers (Channel B)	
Approvals:	Rev. 1.0	Page Date: Monday, March 04, 2002	CAGE Code: 4B817
Size: C	Design Date: Monday, March 04, 2002	Sheet 11 of 15	




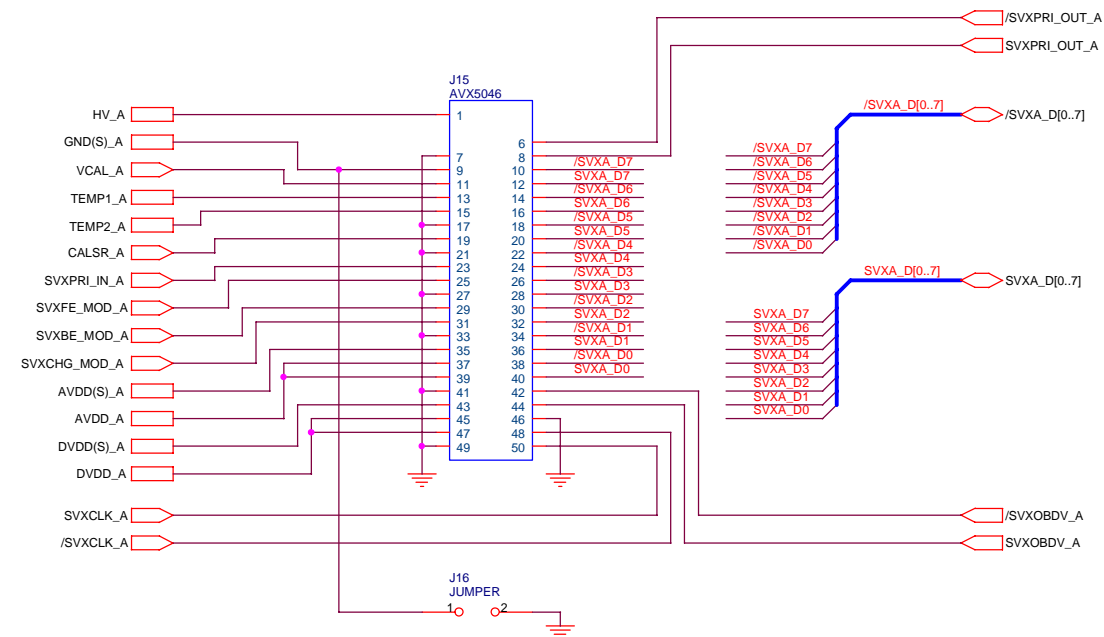
 Electronics Design Laboratory		Electronics Design Laboratory 124 Burt Hall Kansas State University Manhattan, KS 66506-0400 785-532-7826	
		Project: DZero Purple Card	
Project Code: HEP040		Page Title: SVX Transceivers (Channel A)	
Approvals:	Rev. 1.0	Page Date: Tuesday, March 05, 2002	CAGE Code: 4B817
	Size: C	Design Date: Tuesday, March 05, 2002	Sheet 12 of 15



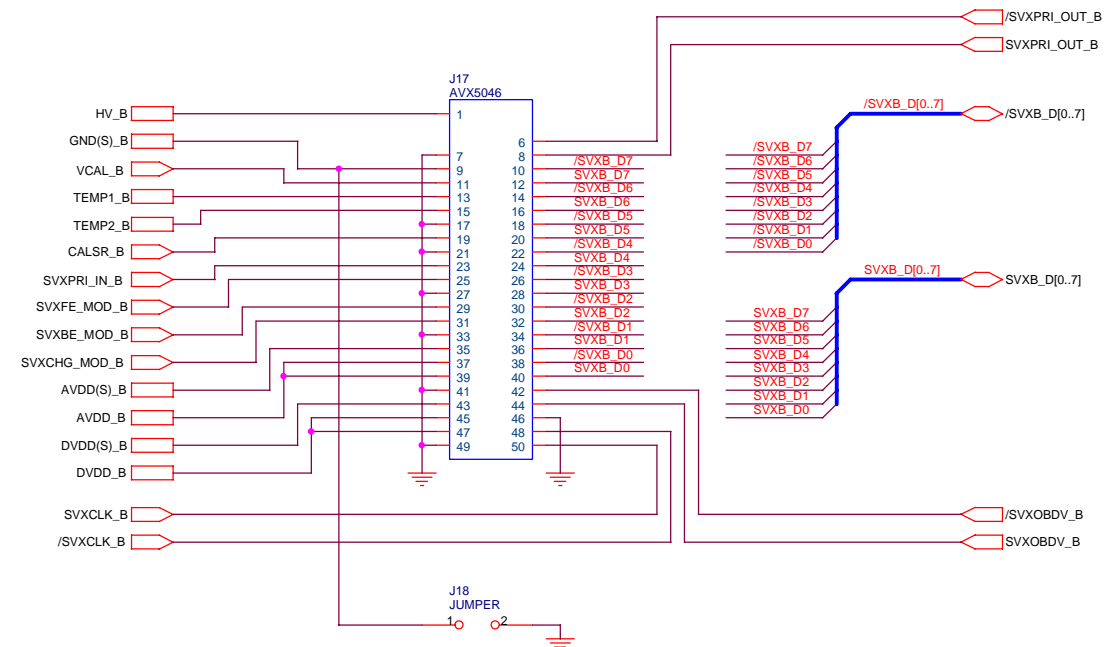
 Electronics Design Laboratory		Electronics Design Laboratory 124 Burt Hall Kansas State University Manhattan, KS 66506-0400 785-532-7826	
		Project: DZero Purple Card	
Project Code: HEP040		Page Title: SVX Transceivers (Channel B)	
Approvals:	Rev. 1.0	Page Date: Tuesday, March 05, 2002	CAGE Code: 4B817
	Size: C	Design Date: Tuesday, March 05, 2002	Sheet 13 of 15




 Electronics Design Laboratory		Electronics Design Laboratory 124 Burt Hall Kansas State University Manhattan, KS 66506-0400 785-532-7826	
		Project: DZero Purple Card	
Project Code: HEP040		Page Title: Temperature Monitors (Channels A and B)	
Approvals:	Rev. 1.0	Page Date: Monday, March 04, 2002	CAGE Code: 4B817
	Size: C	Design Date: Monday, March 04, 2002	Sheet 14 of 15



Jumper must be connected if testing regulators when SVX is not connected.



Jumper must be connected if testing regulators when SVX is not connected.

 Electronics Design Laboratory		Electronics Design Laboratory 124 Burt Hall Kansas State University Manhattan, KS 66506-0400 785-532-7826	
		Project: DZero Purple Card	
Project Code: HEP040		Page Title: Output Connectors (Channels A and B)	
Approvals:	Rev. 1.0	Page Date: Tuesday, March 05, 2002	CAGE Code: 4B817
	Size: C	Design Date: Tuesday, March 05, 2002	Sheet 15 of 15