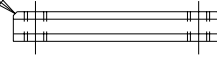
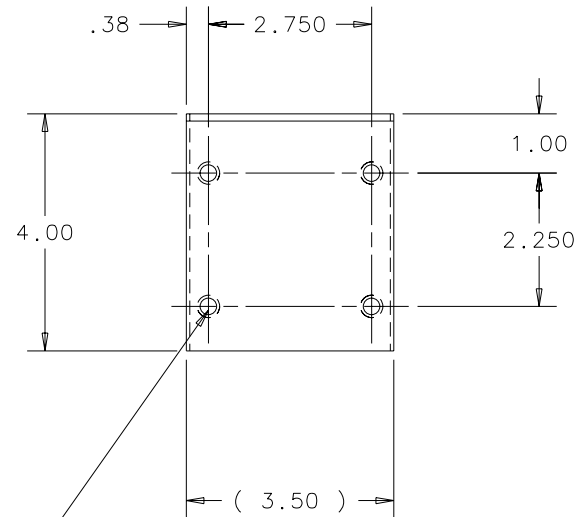
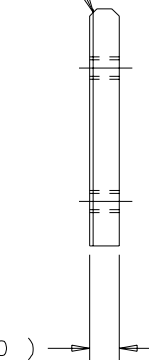


REV	DESCRIPTION	DRAWN	DATE
		APPROVED	DATE

2X .06 X 45° CHAMFER




2X .12 X 45° CHAMFER



(.50)

4X 5/16 TAP DRILL THRU
3/8-16 UNC-2B THRU

ITEM	PART NO.	DESCRIPTION OR SIZE	QTY.
PARTS LIST			
UNLESS OTHERWISE SPECIFIED		ORIGINATOR	E. LAVALLIE
.XX .XXX ANGLES		DRAWN	G. SMITH
± .03 ± .015 ± ---		CHECKED	
APPROVED			
1. BREAK ALL SHARP EDGES 015 MAX. 2. DO NOT SCALE DRAWING. 3. DIMENSIONS BASED UPON ANSI Y14.5M-1982 4. ALL DIMENSIONS ARE INCHES 5. MAX. ALL MACH. SURFACES 125 ✓		USED ON	MB-421071
		MATERIAL	H.R. FLAT 1/2 X 3.50
 FERMI NATIONAL ACCELERATOR LABORATORY UNITED STATES DEPARTMENT OF ENERGY			
PPD/MECHANICAL DEPT. E 907 IOWA DRIFT CHAMBER UPPER BRACKET VERT PLATE-SPT.STD			
SCALE	DRAWING NUMBER	SHEET	REV
1:2	3907.512-MB-421074	1 OF 1	
CREATED WITH : IdeasBm4		GROUP: PPD/MECHANICAL DEPARTMENT	