

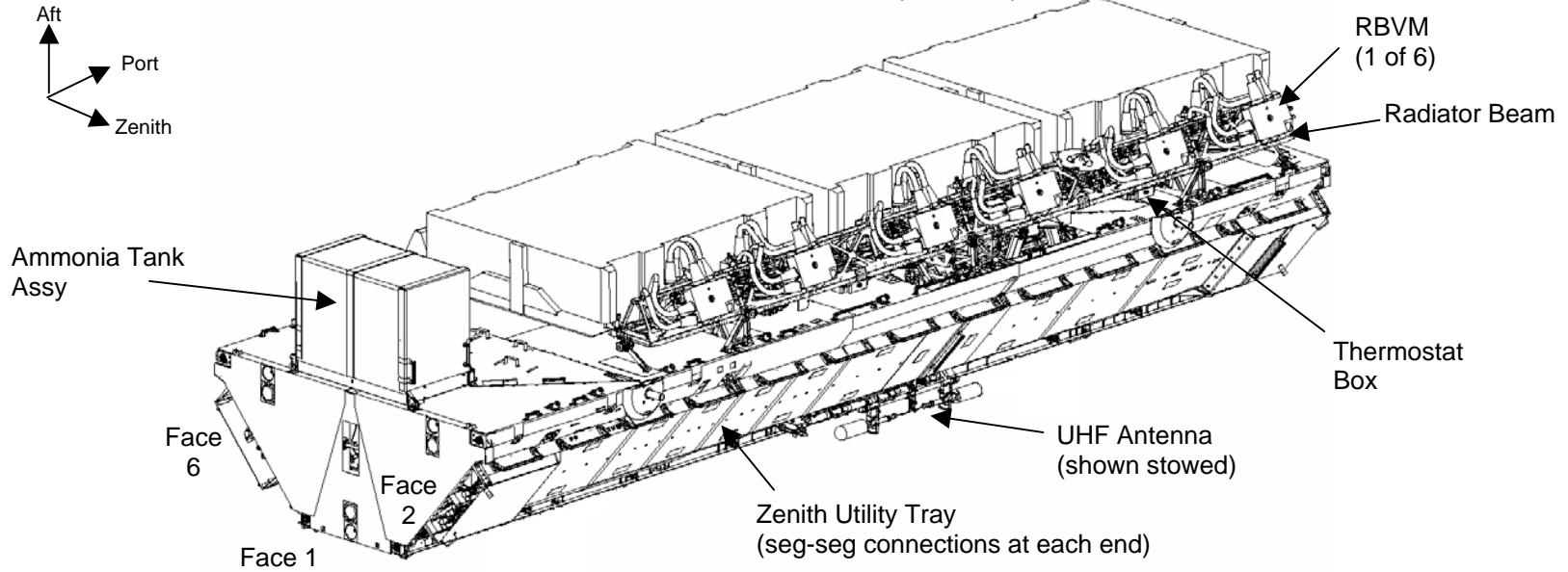
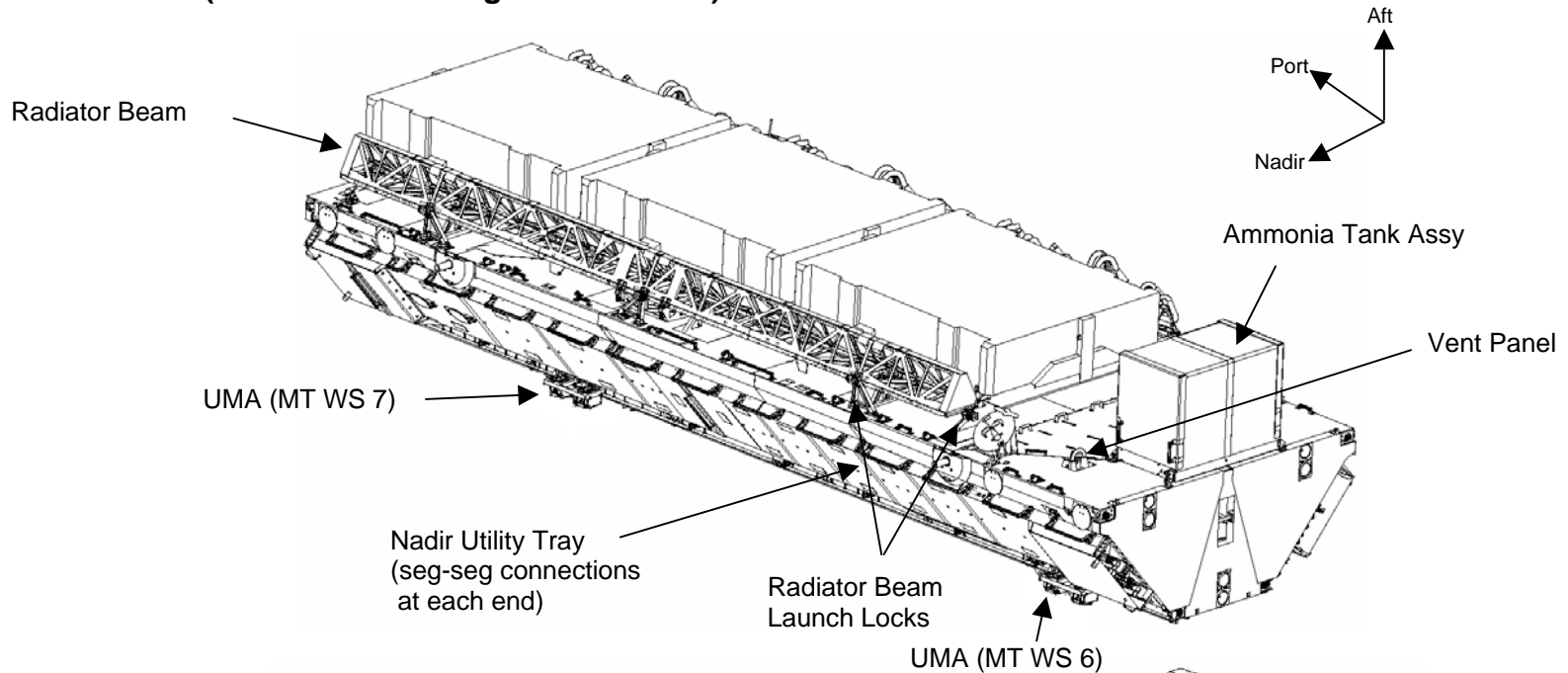
GENERIC EVA REFERENCE

P1 OVERVIEW	FS 17-3
P1 FORWARD FACE (FACE 1)	FS 17-4
P1 AFT FACE (FACE 4)	FS 17-5
P1 ZENITH SIDE (FACE 2)	FS 17-6
P1 NADIR SIDE (FACE 6)	FS 17-7
P1 HANDRAILS AND WIFs, FACES 1, 2, AND 6	FS 17-8
P1 HANDRAILS AND WIFs, FACE 4	FS 17-9
P1 ORUs	FS 17-12
QD TOOLBAGS INSTALLED ON CREWLOCK ZENITH	FS 17-14
QD TOOLBAG CONTENTS	FS 17-15
FLUID QD BAIL LEVERS	FS 17-16
FLUID QD RELEASE TOOLS	FS 17-17
FLUID QD CAP TOOLS	FS 17-18
1.0-IN BUTTON DEPRESS TOOL	FS 17-19
1.0-IN BUTTON DEPRESS TOOL – INSTALLED	FS 17-20
1.5-IN FLUID QD SPOOL POSITIONING DEVICE	FS 17-21
1.0-IN FLUID QD SPOOL POSITIONING DEVICE	FS 17-22
0.5-IN FLUID QD SPOOL POSITIONING DEVICE	FS 17-23
0.5-IN SPD BOOTIE EXTENSION	FS 17-23
TETHER SHUTTLE STOWAGE	FS 17-24
MT STOP	FS 17-25
WVS EXTERNAL TRANSCEIVER ASSY (WETA)	FS 17-26
NODE WETA INSTALL – CP12	FS 17-27
P1 WETA INSTALL – CP08	FS 17-28
TRRJ OVERVIEW – STBD	FS 17-29
TRRJ OVERVIEW – P1 PORT/S1 STBD	FS 17-30
RADIATOR OVERVIEW	FS 17-31
UHF ANTENNA	FS 17-32

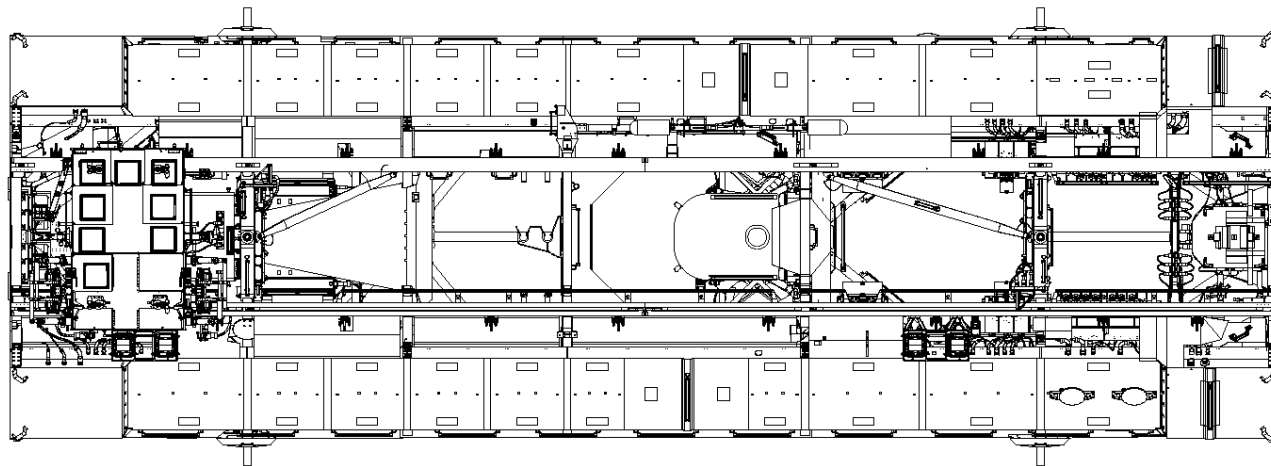
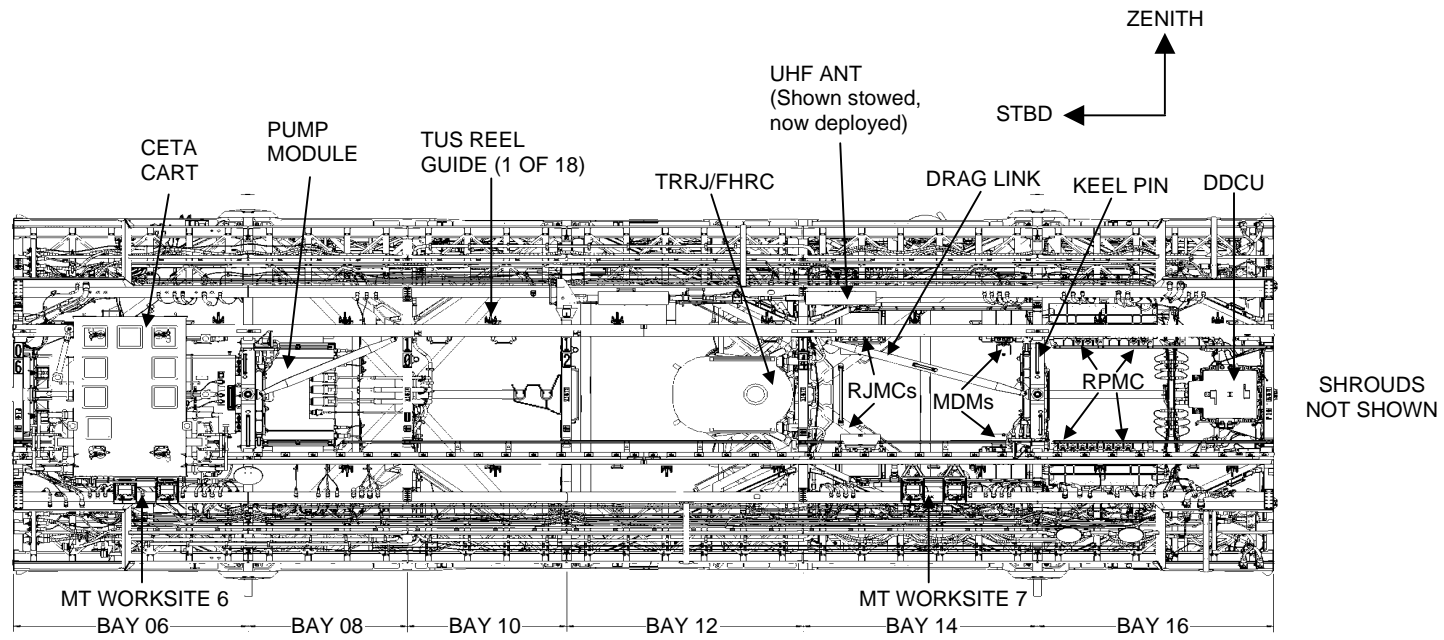
**GENERIC
EVA REF**

This Page Intentionally Blank

P1 OVERVIEW (Keel Pins and Drag Links stowed)

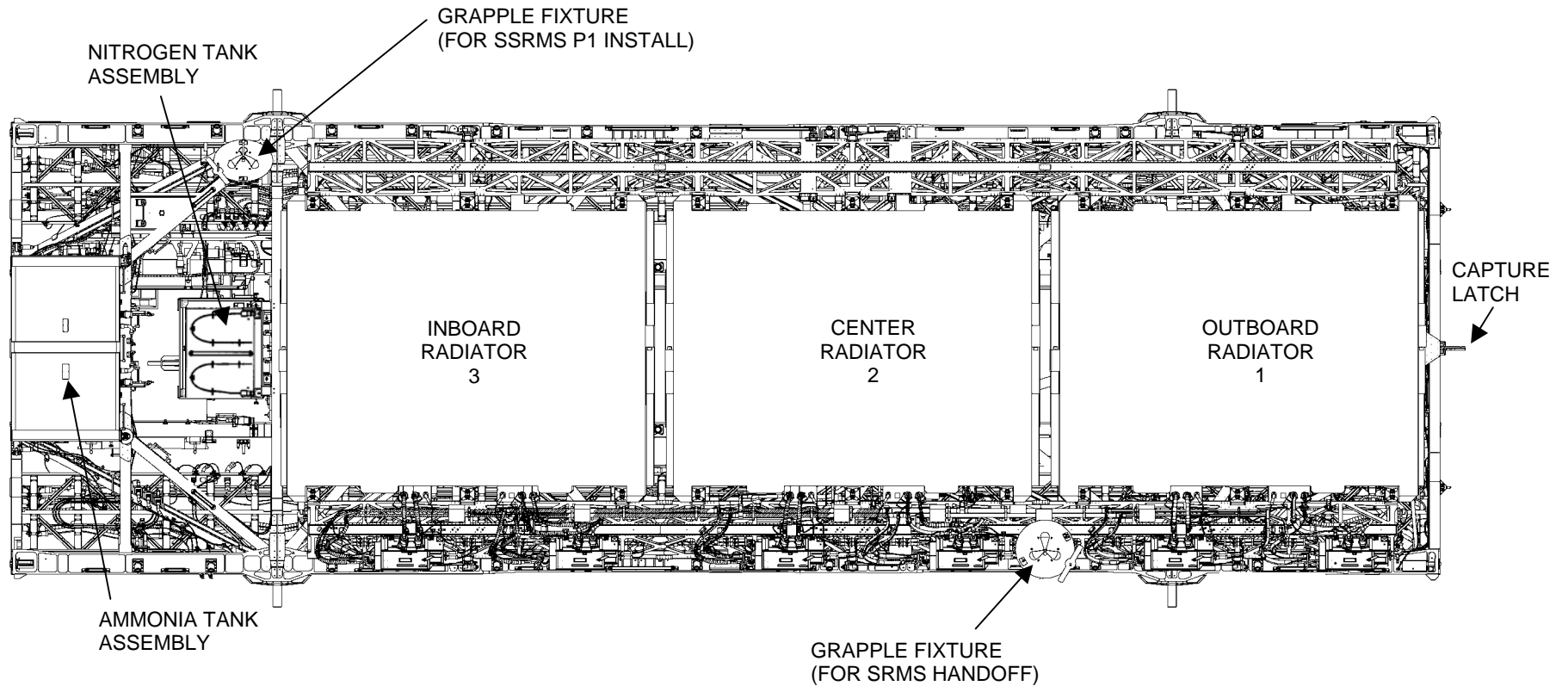


P1 FORWARD FACE (FACE 1)

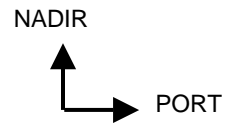


NOTE: Drag links and keel pins stowed

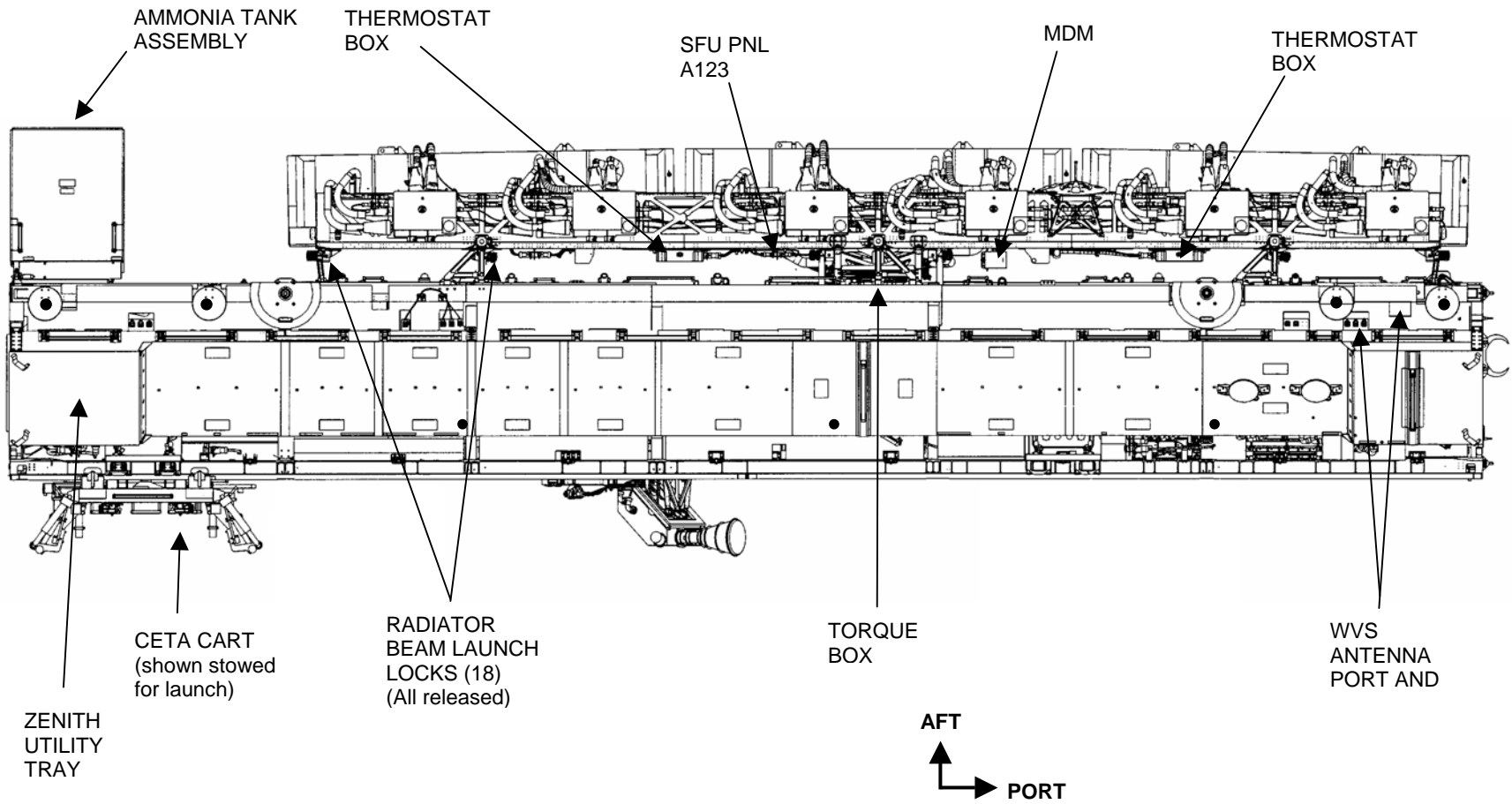
P1 AFT FACE (FACE 4)



NOTE: Shrouds not shown on radiator beams and aft face

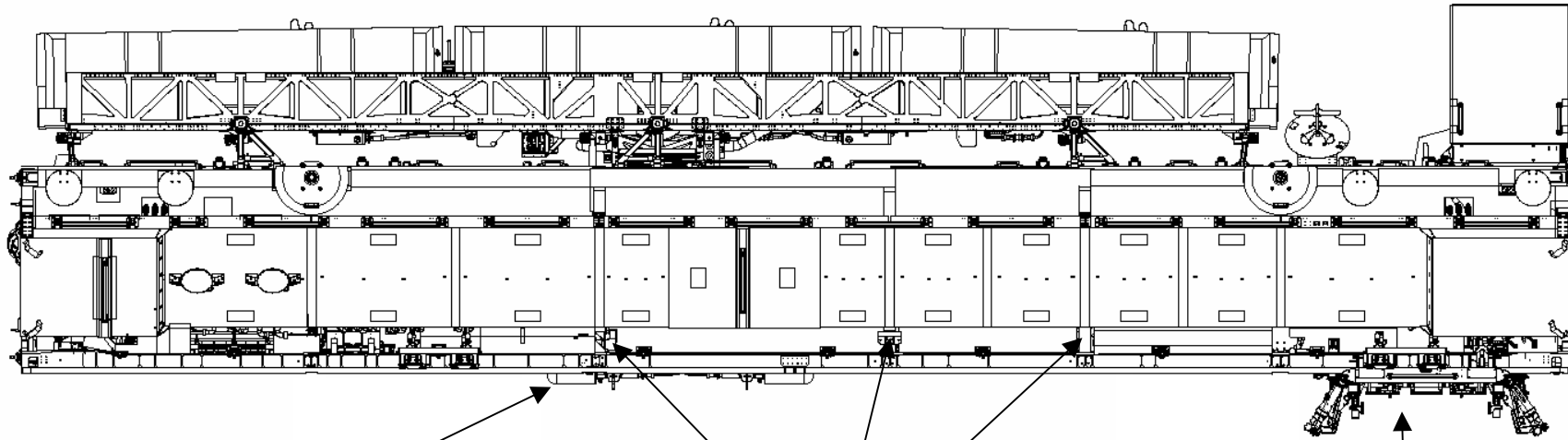


P1 ZENITH SIDE (FACE 2)



P1 NADIR SIDE (FACE 6)

Aft
Port



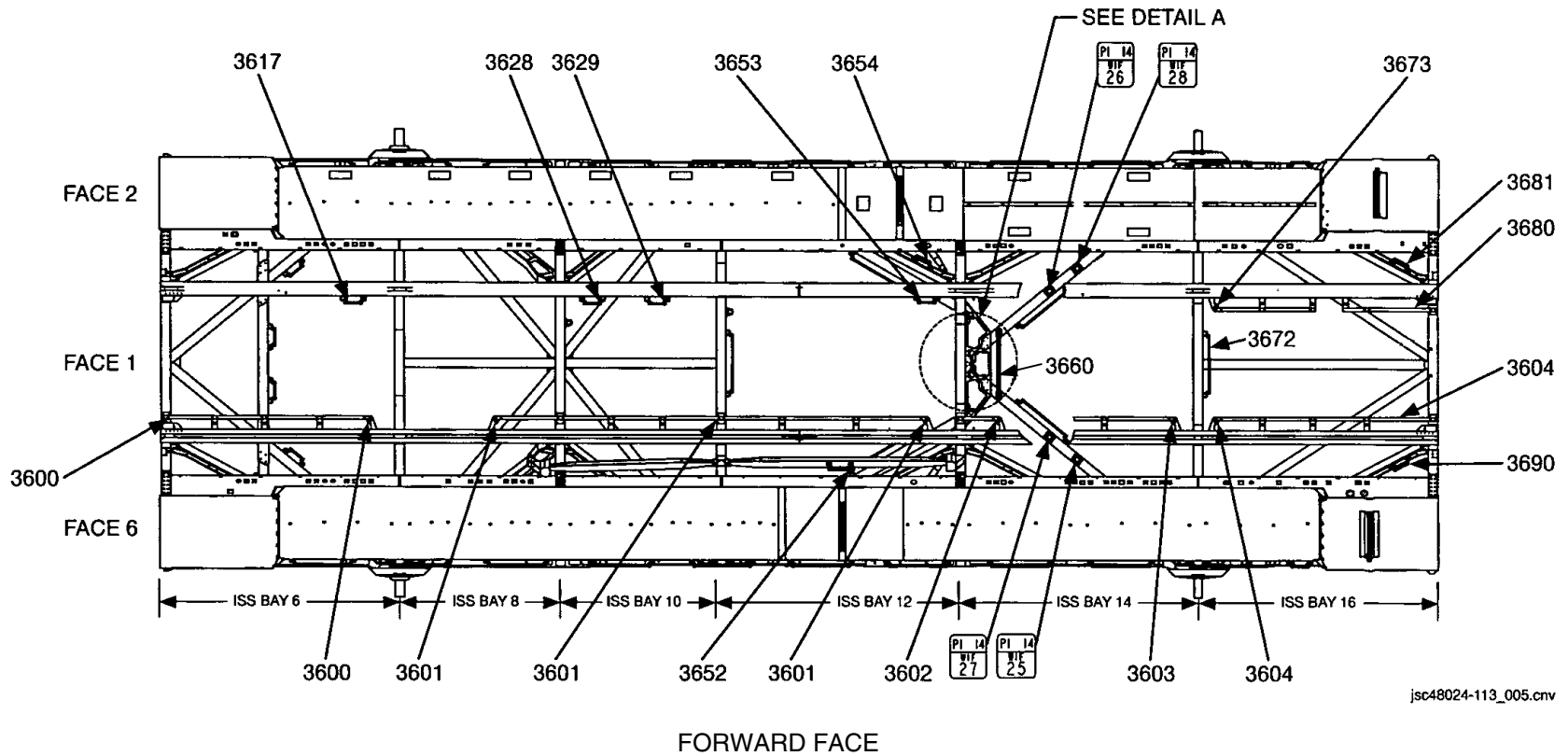
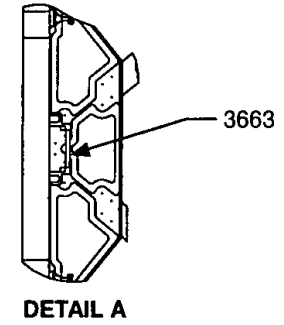
UHF Antenna
(Shown stowed)

Drag Link Stowage Brackets
(Drag Links and Keel Pins not shown)

CETA Cart shown in
the launch
configuration with
brake handles
stowed

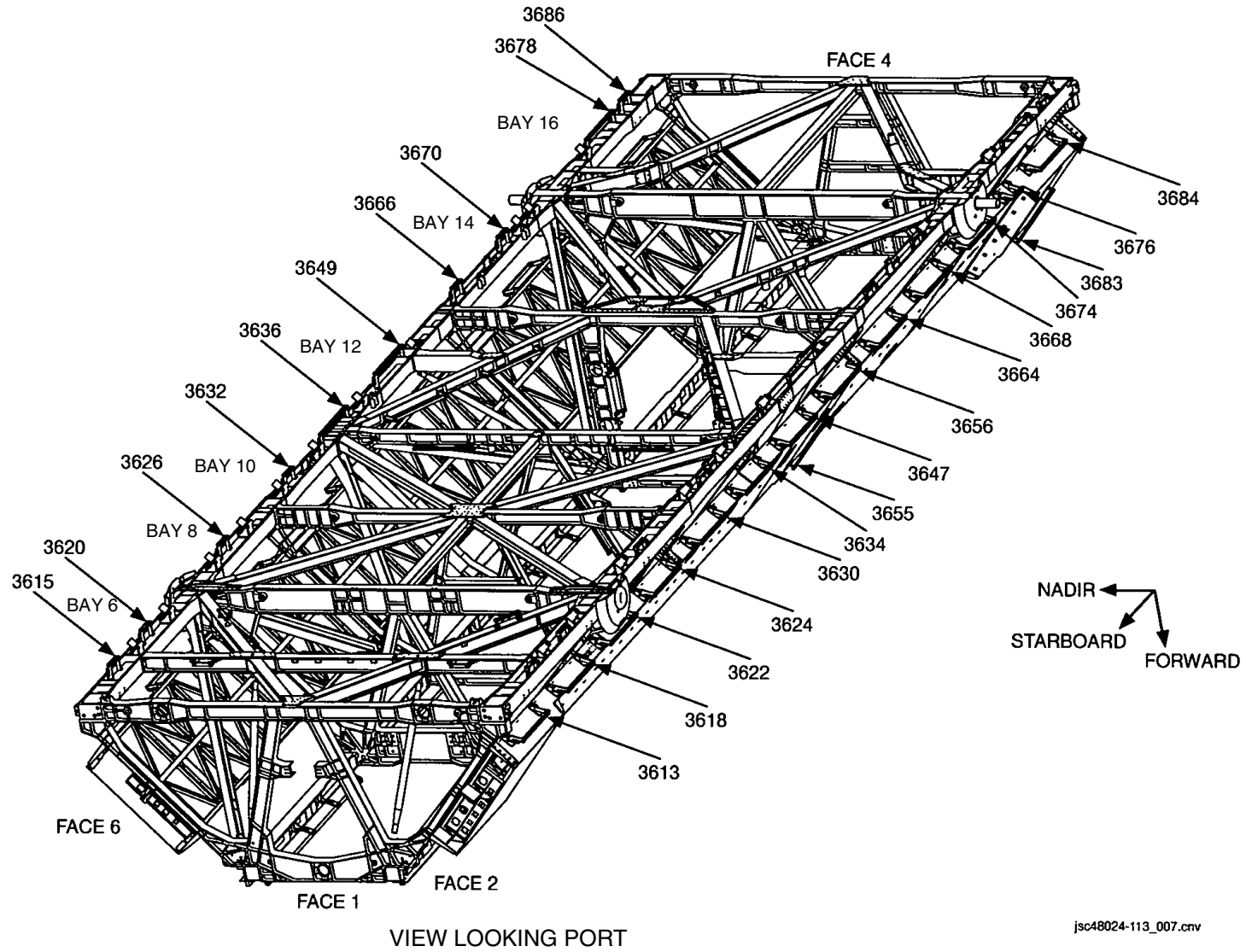
P1 HANDRAILS AND WIFS, FACES 1, 2, AND 6

STARBOARD ←
 ↓
 NADIR



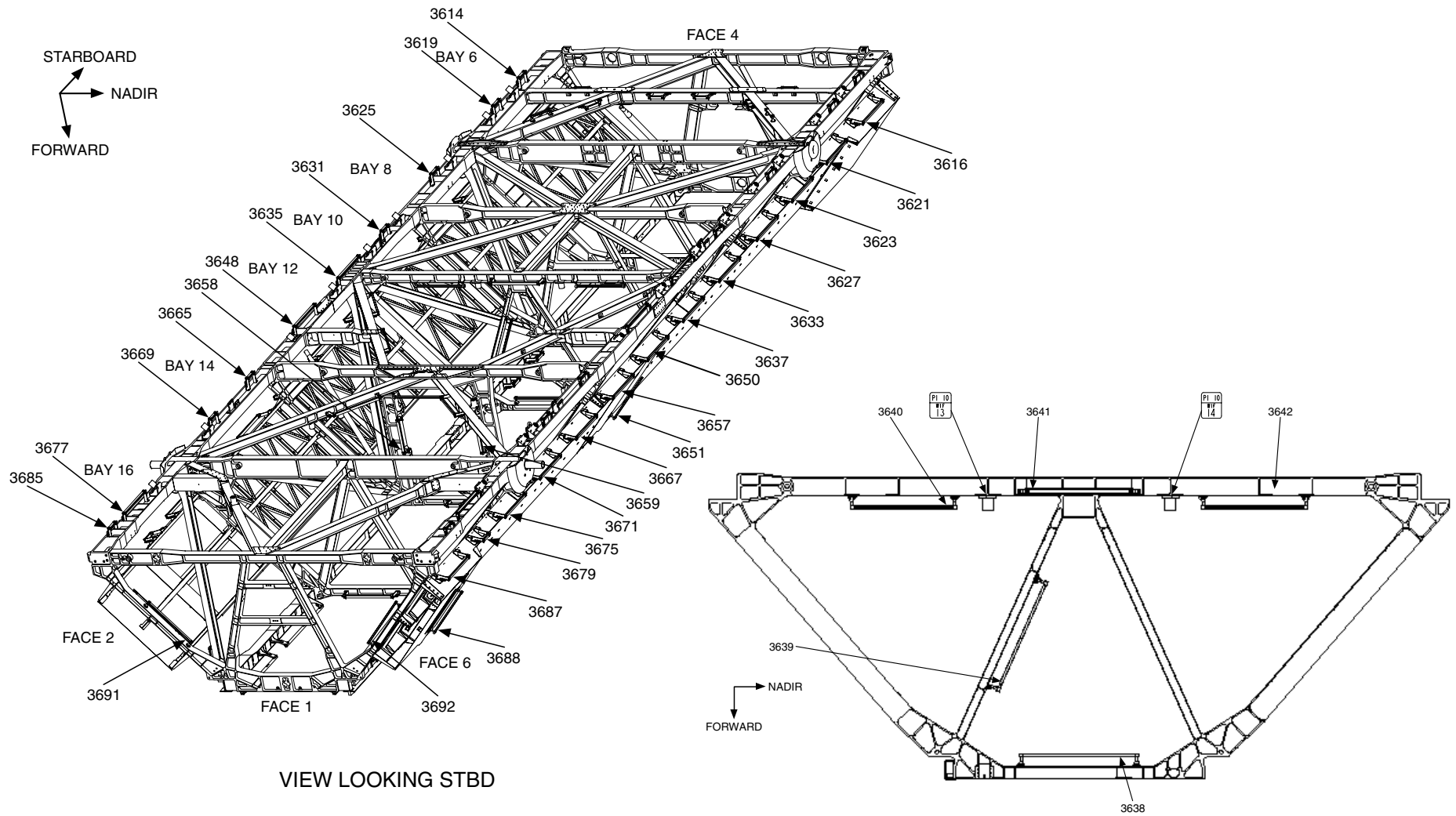
jsc48024-113_005.cmv

P1 HANDRAILS AND WIFS, FACE 4



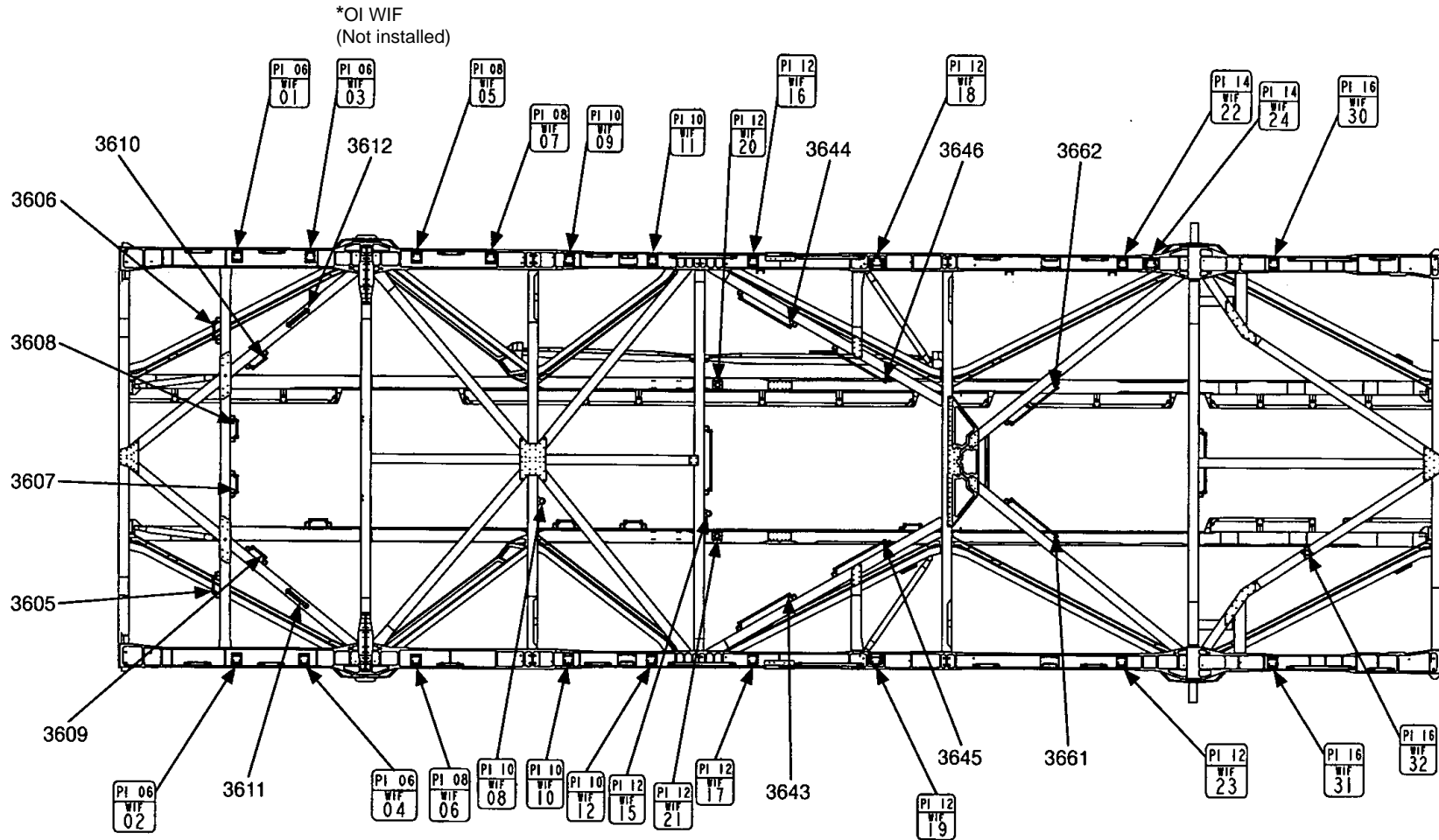
jsc48024-113_007.cnv

P1 HANDRAILS AND WIFS, FACE 4 (Cont)



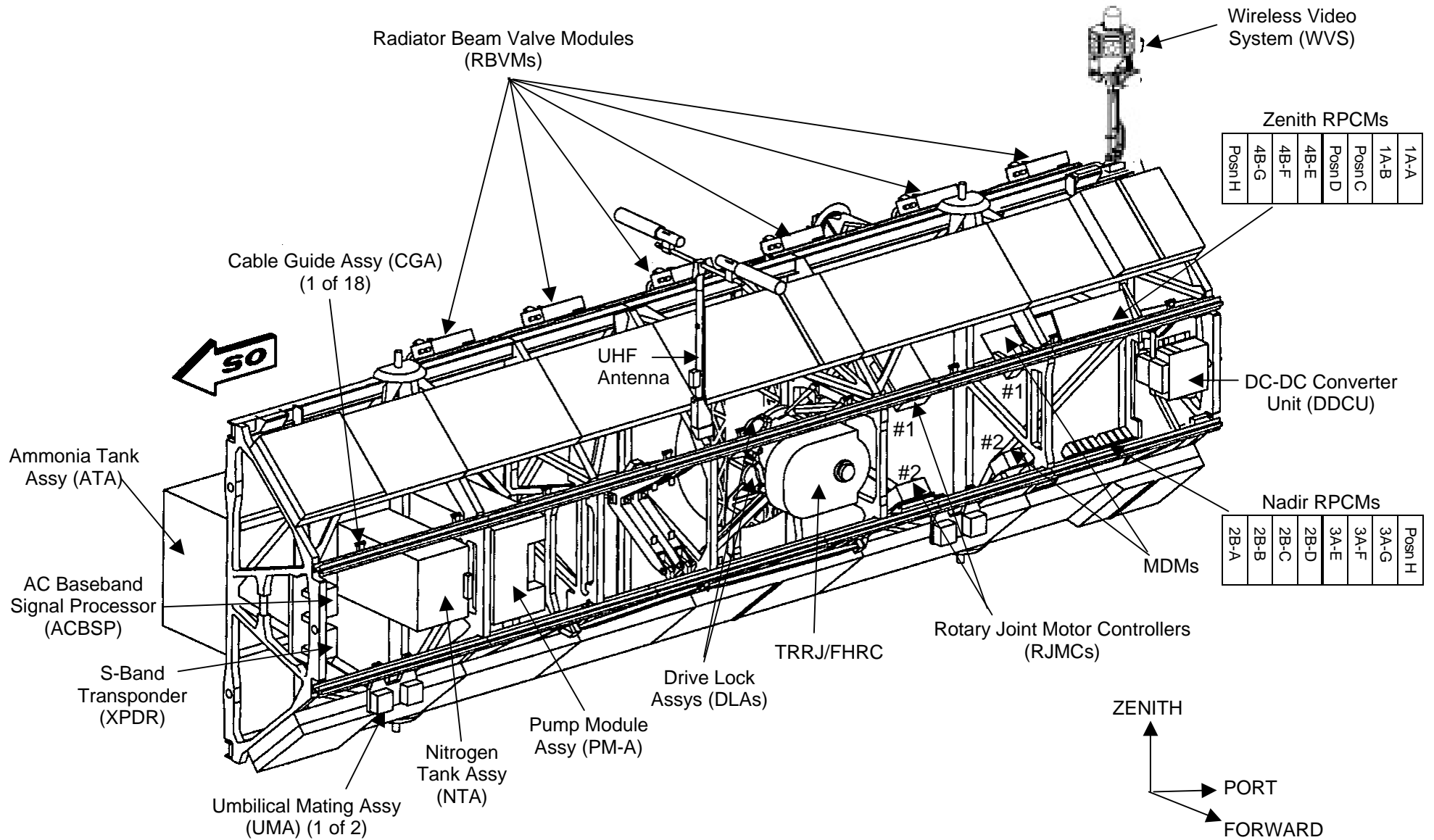
jsc48024-113_009

P1 HANDRAILS AND WIFS, FACE 4 (Cont)

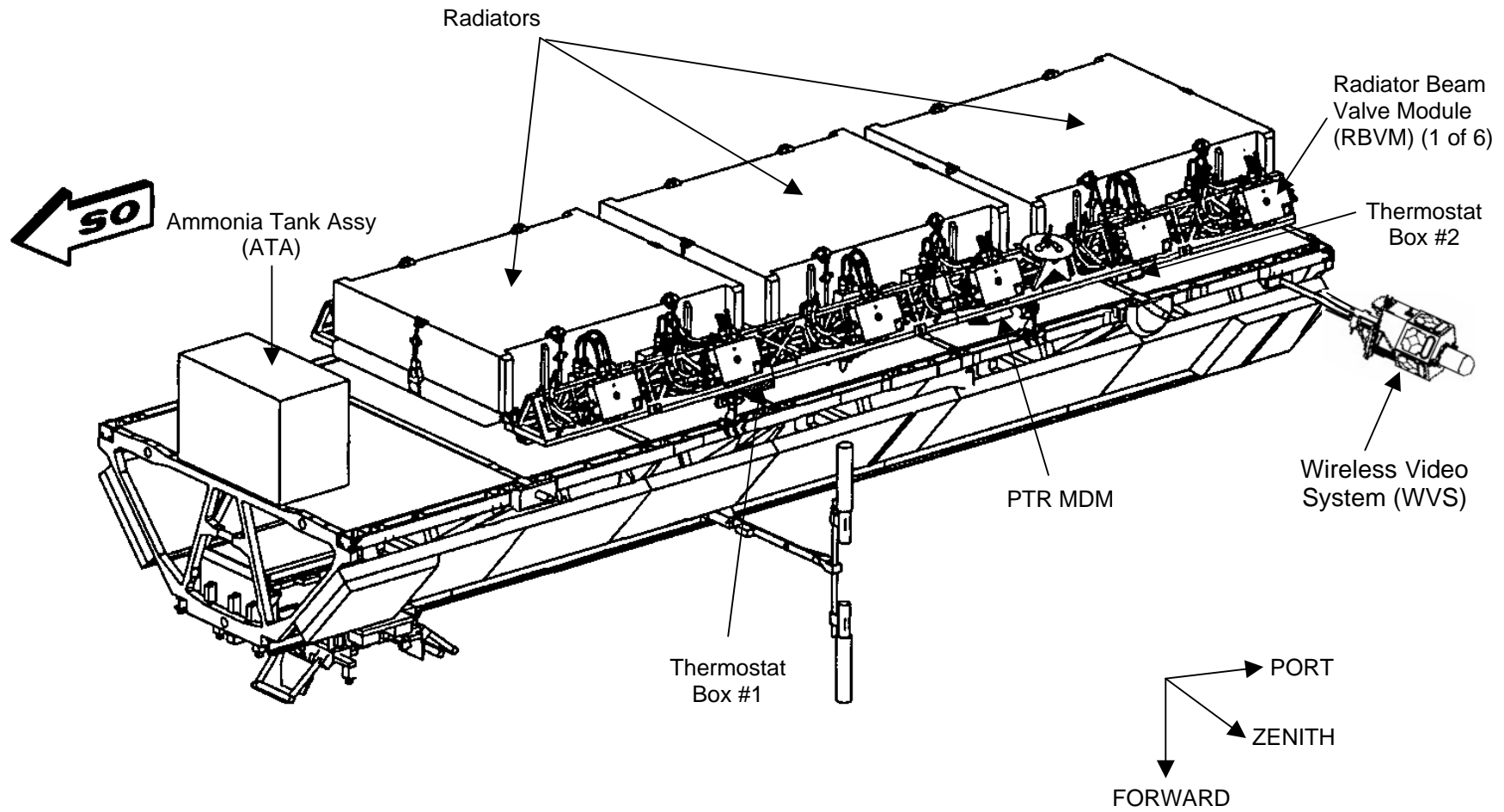


jsc48024-113_008

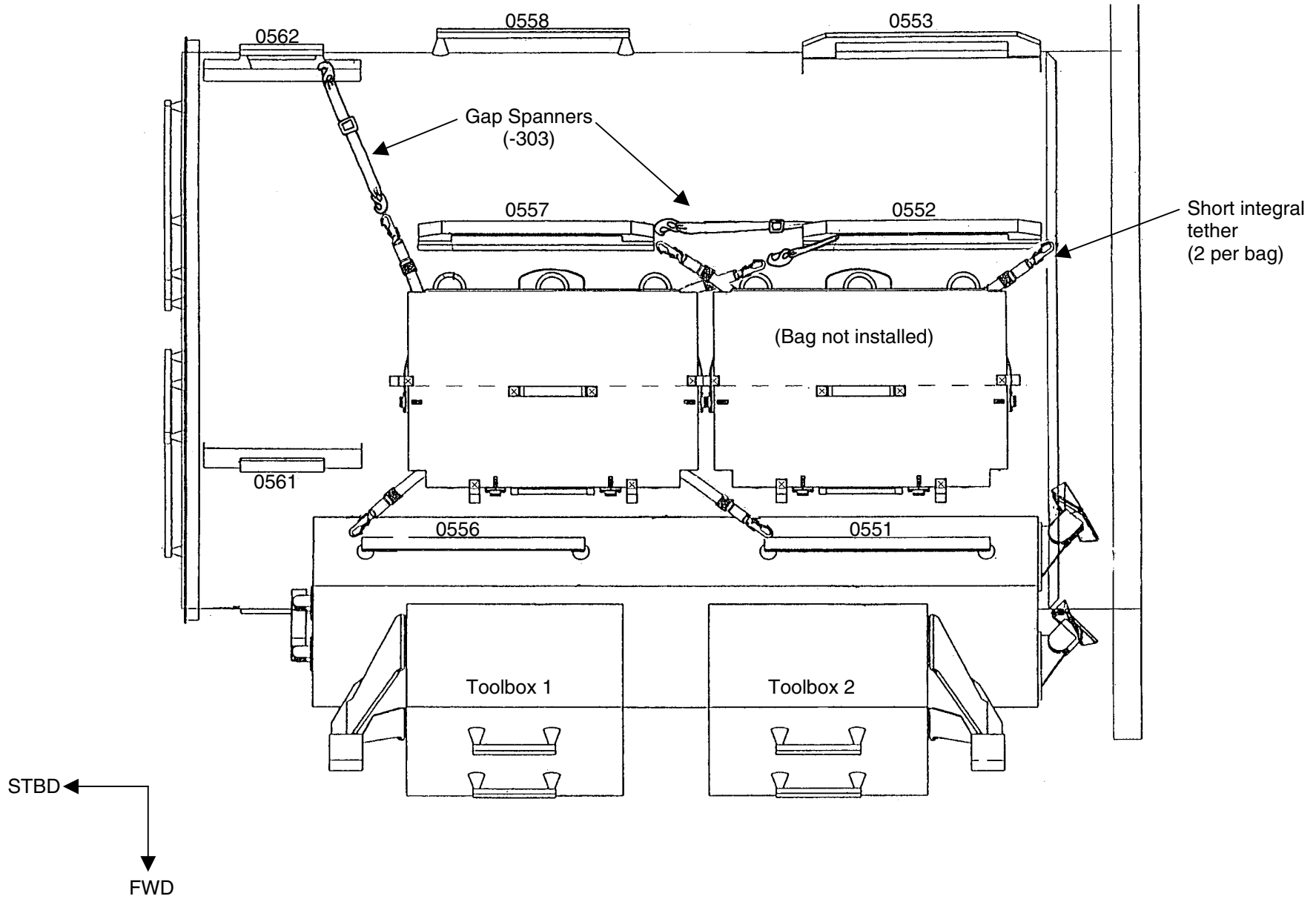
P1 ORUs



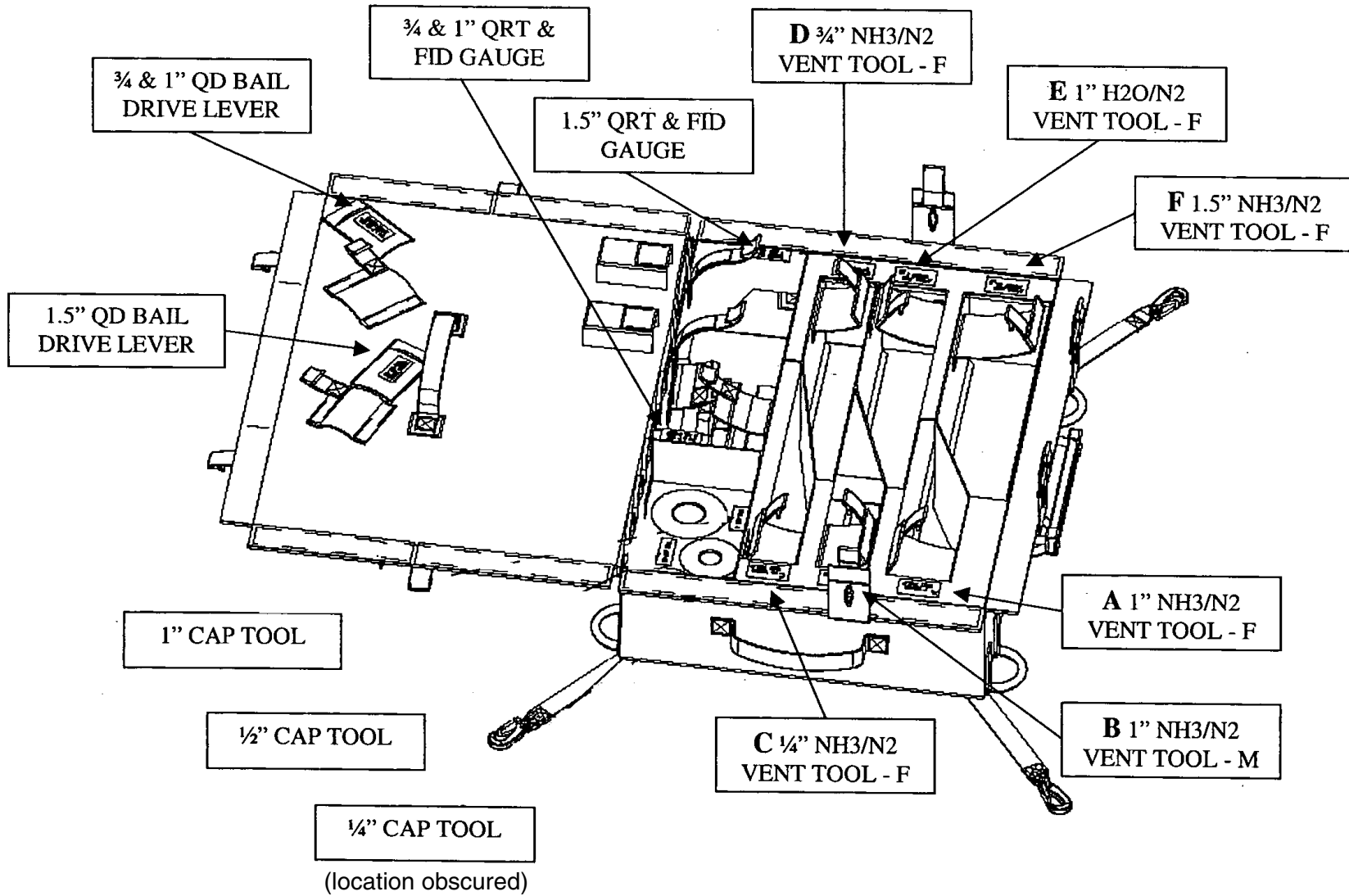
P1 ORUs (Cont)



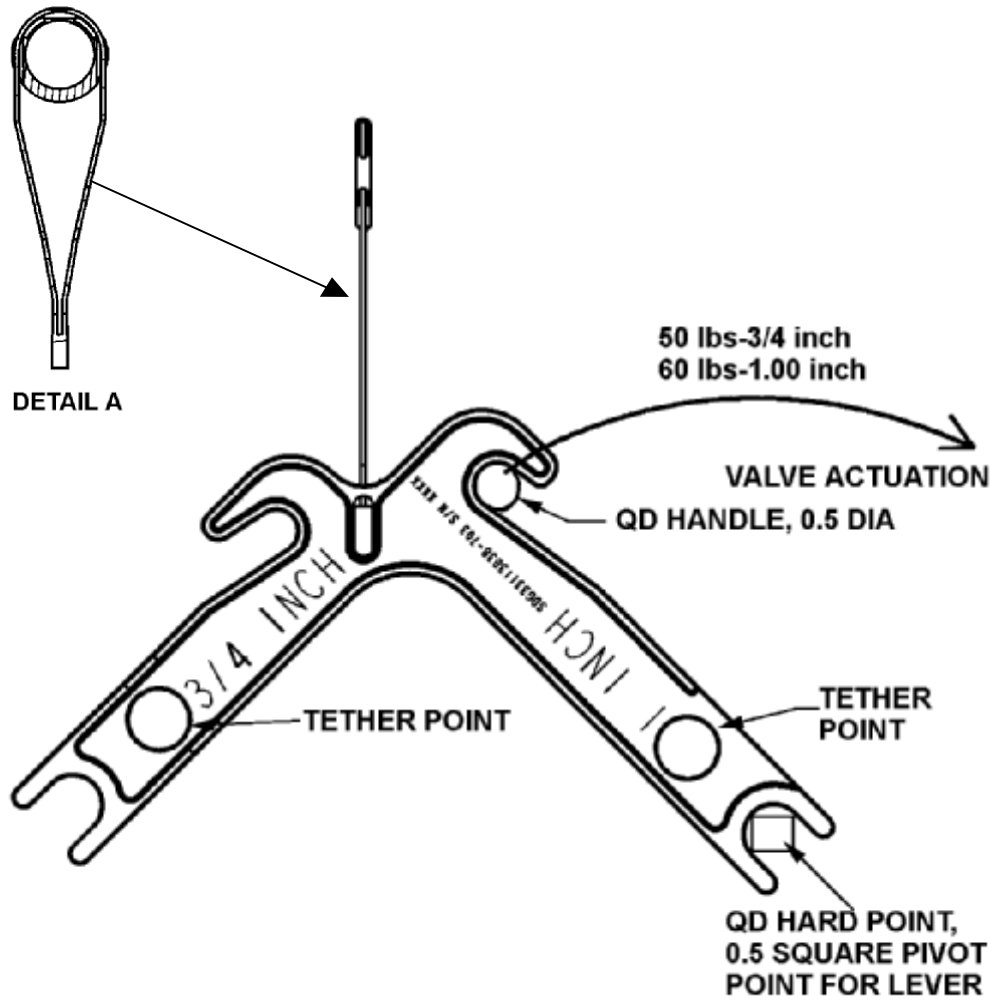
QD TOOLBAGS INSTALLED ON CREWLOCK ZENITH



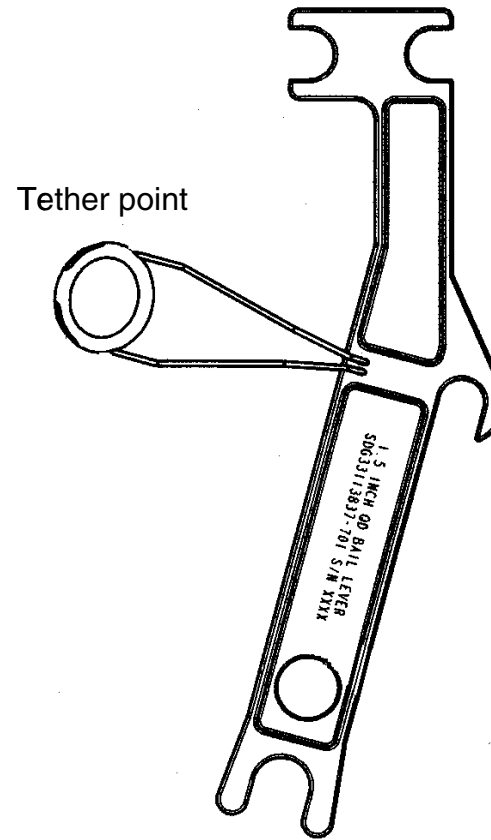
QD TOOLBAG CONTENTS



FLUID QD BAIL LEVERS

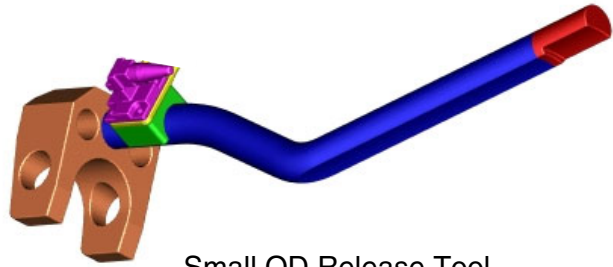


Small QD Bail Lever

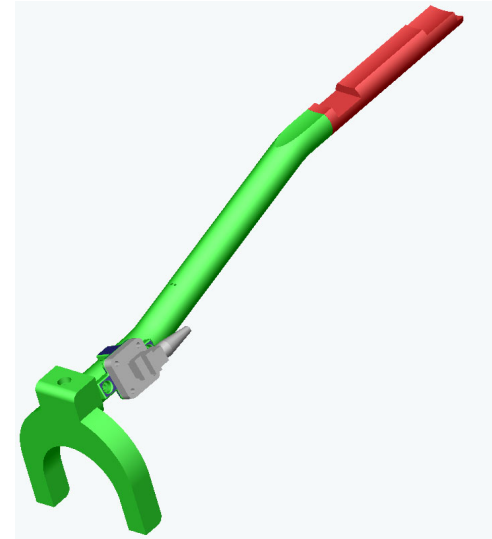


1.5-in QD Bail Lever

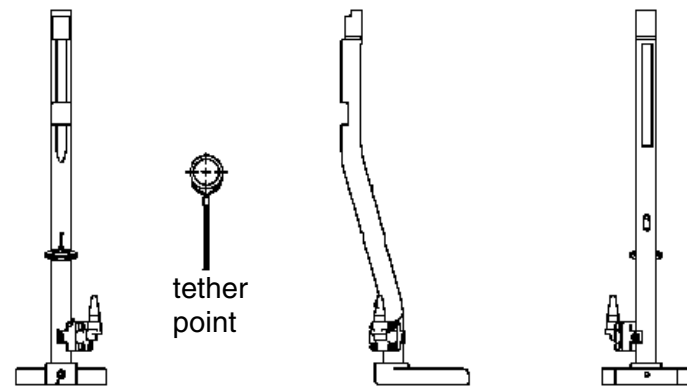
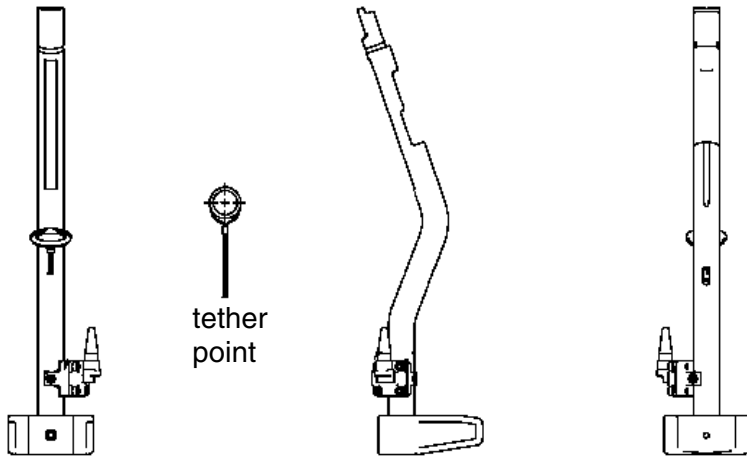
FLUID QD RELEASE TOOLS



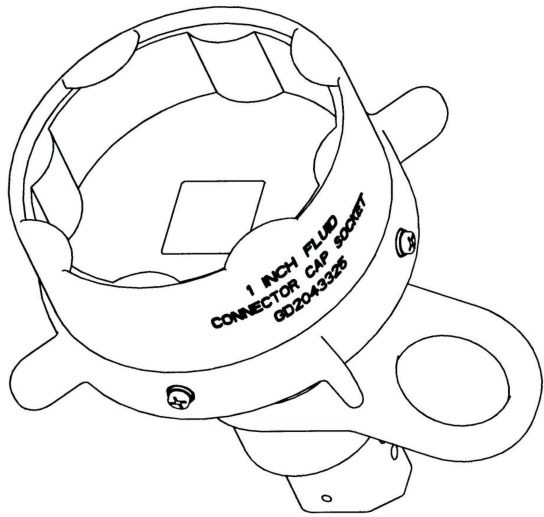
Small QD Release Tool
w/FID Gauge



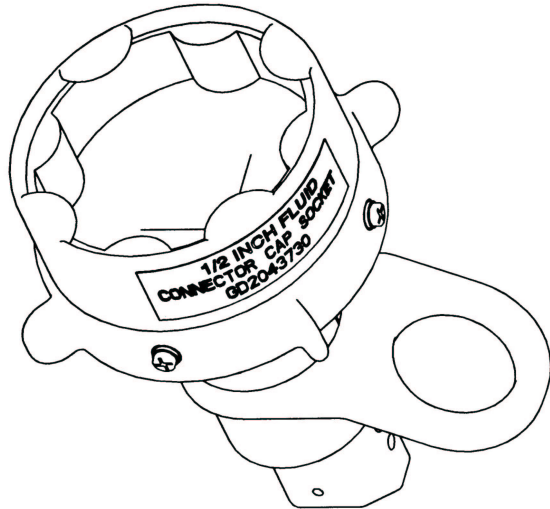
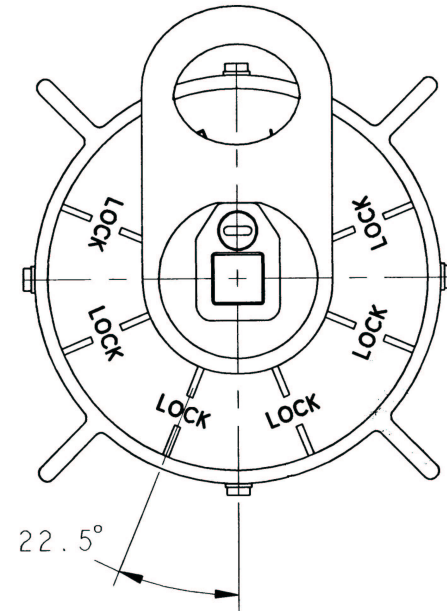
1.5-in QD Release Tool
w/FID Gauge



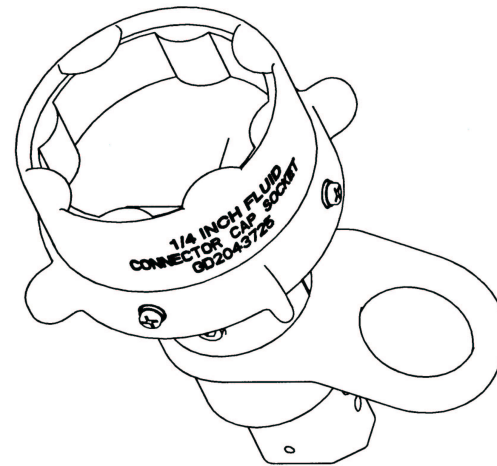
FLUID QD CAP TOOLS



1-in QD Cap Tool

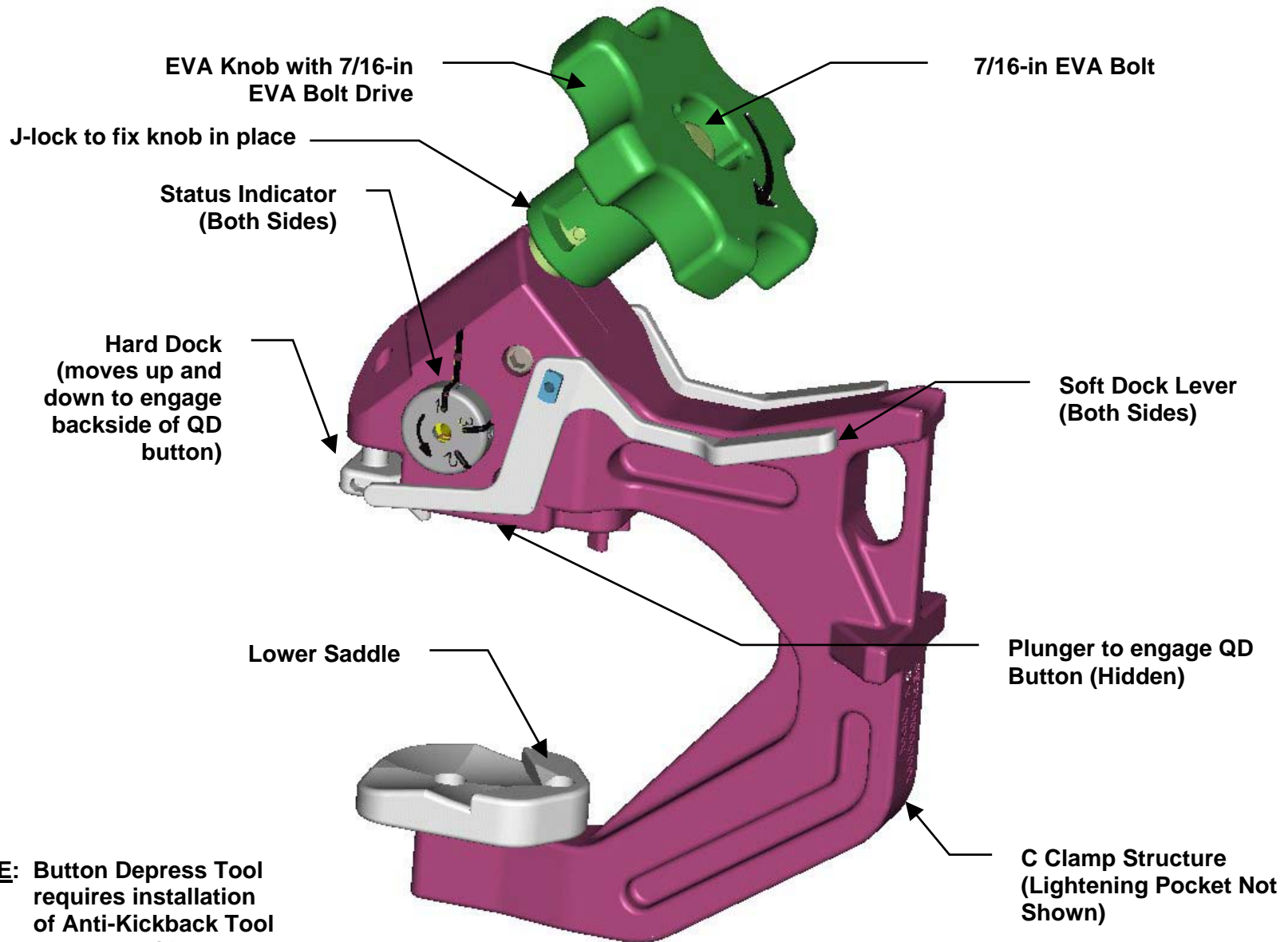


1/2-in QD Cap Tool



1/4-in QD Cap Tool

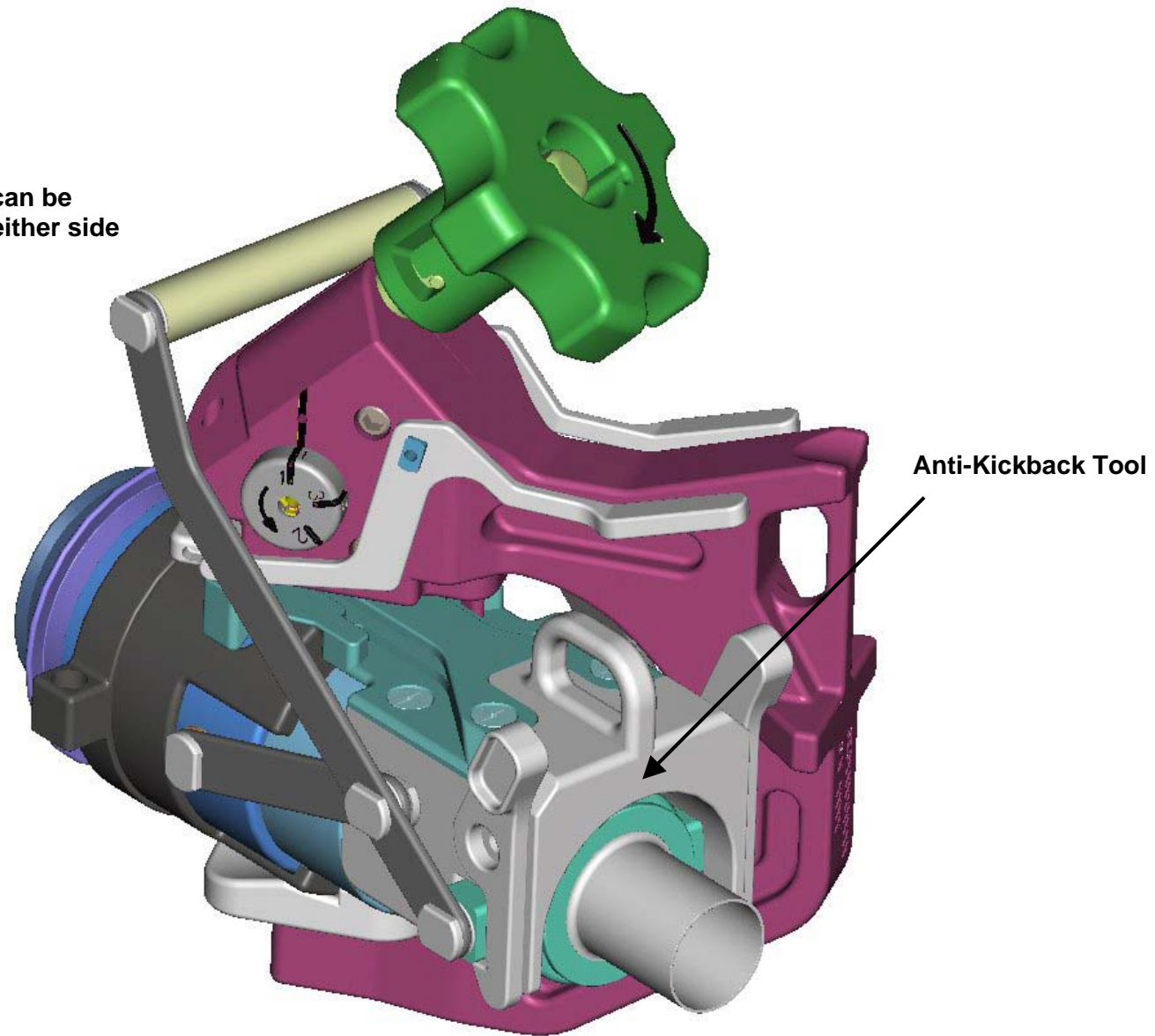
1.0-IN BUTTON DEPRESS TOOL



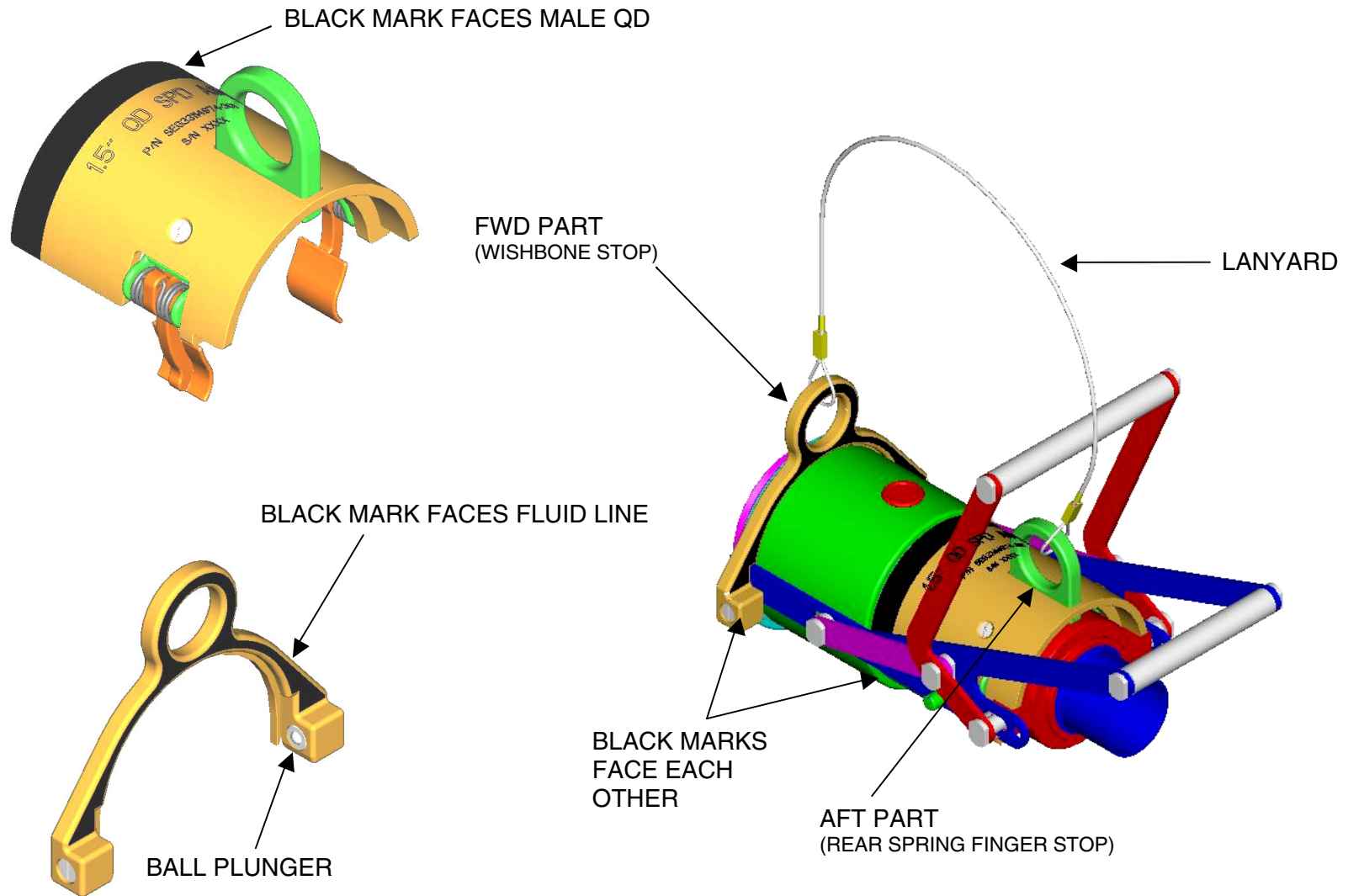
NOTE: Button Depress Tool requires installation of Anti-Kickback Tool to engage QD

1.0-IN BUTTON DEPRESS TOOL – INSTALLED

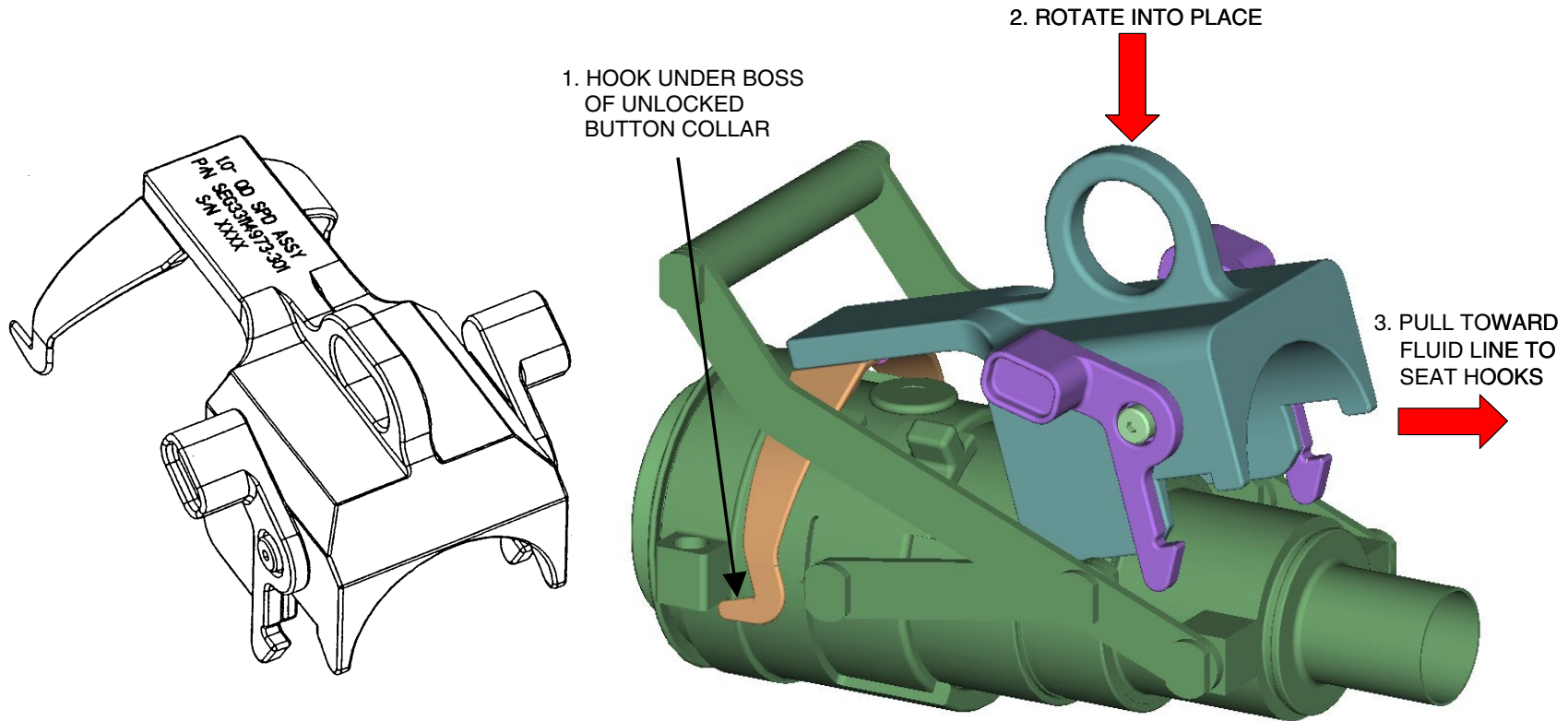
Button Depress Tool can be installed on QD from either side



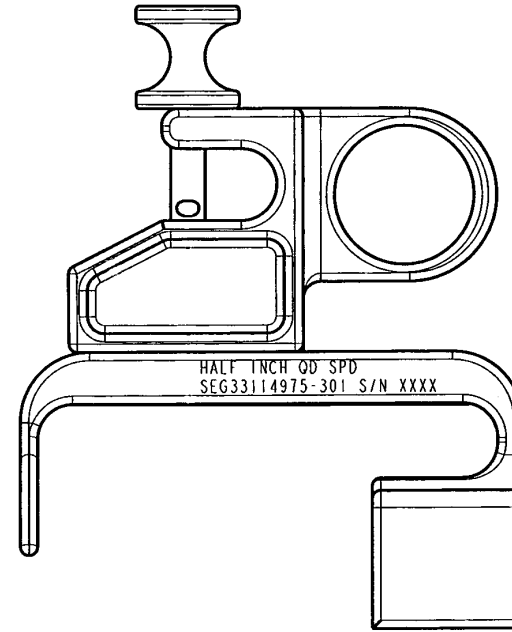
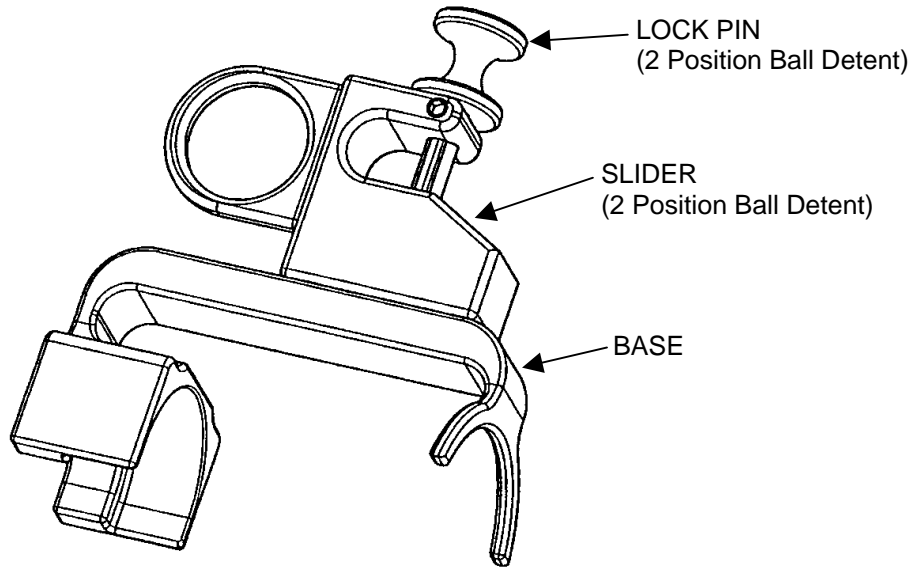
1.5-IN FLUID QD SPOOL POSITIONING DEVICE



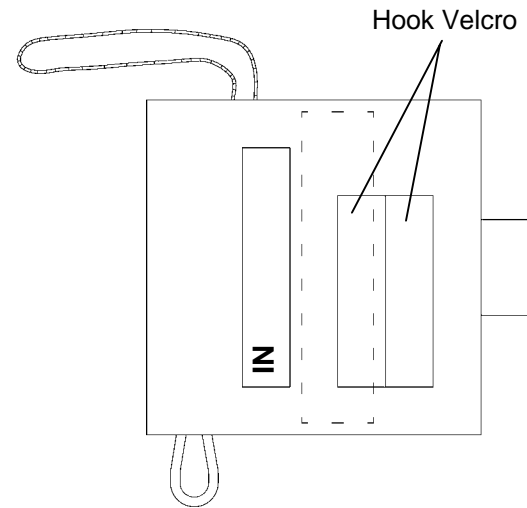
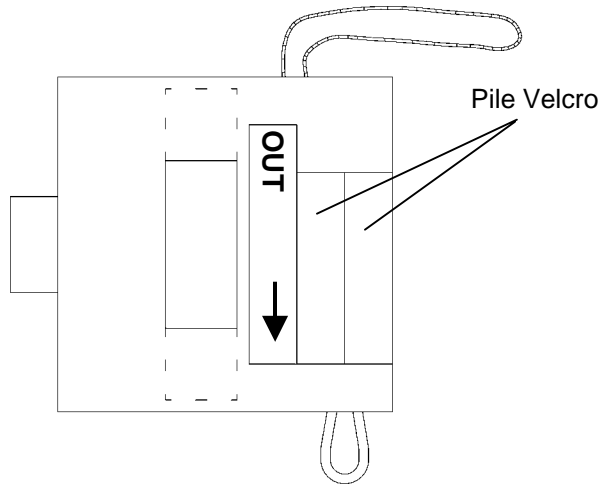
1.0-IN FLUID QD SPOOL POSITIONING DEVICE



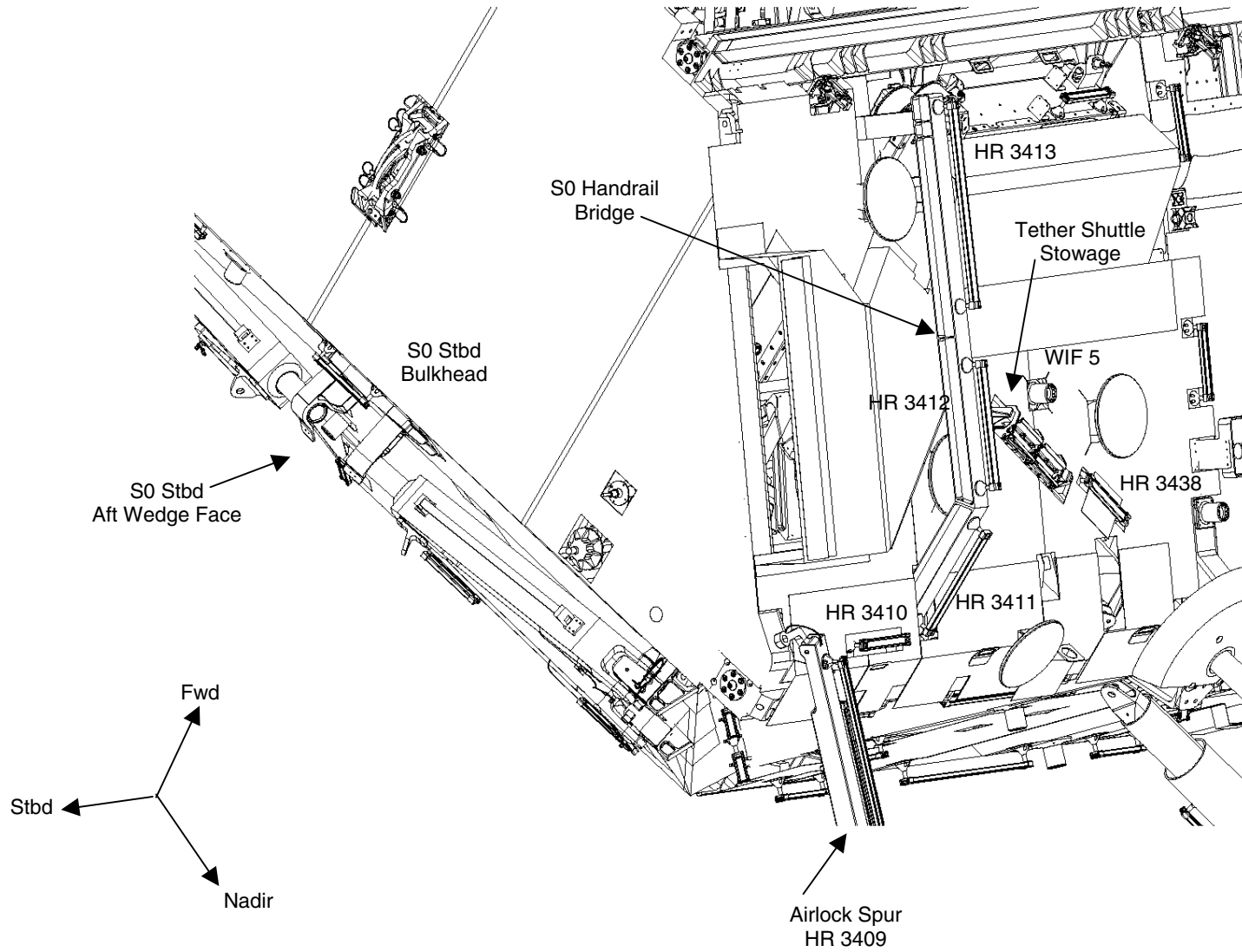
0.5-IN FLUID QD SPOOL POSITIONING DEVICE



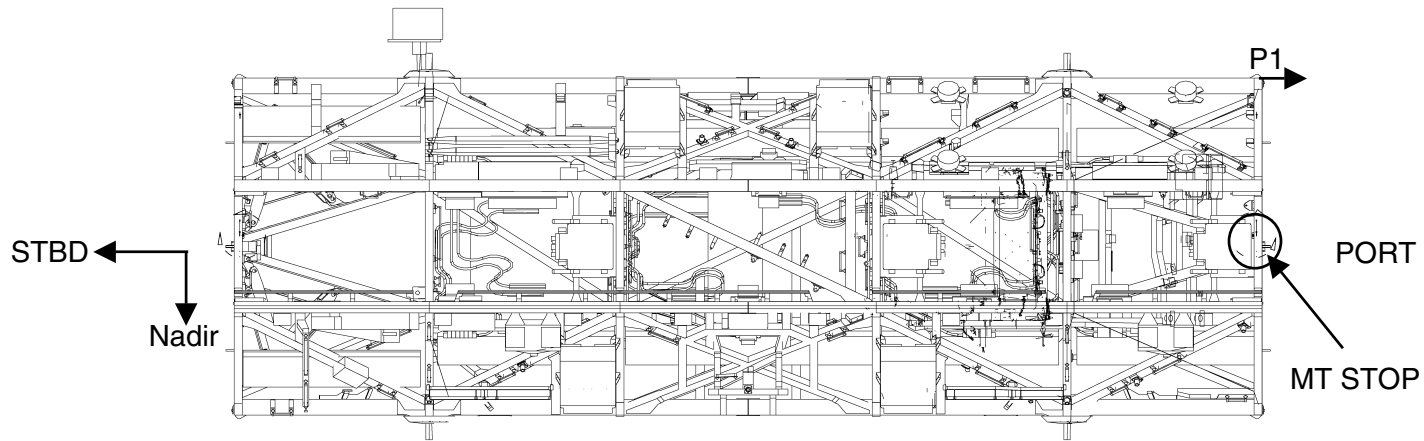
0.5-IN SPD BOOTIE EXTENSION



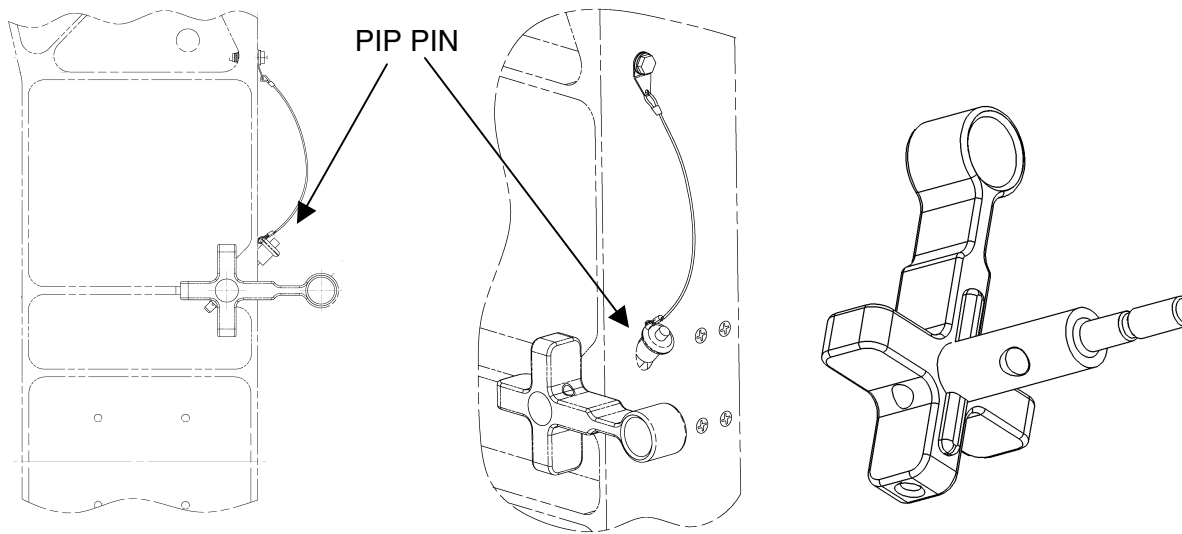
TETHER SHUTTLE STOWAGE



MT STOP



MT STOP STOWED

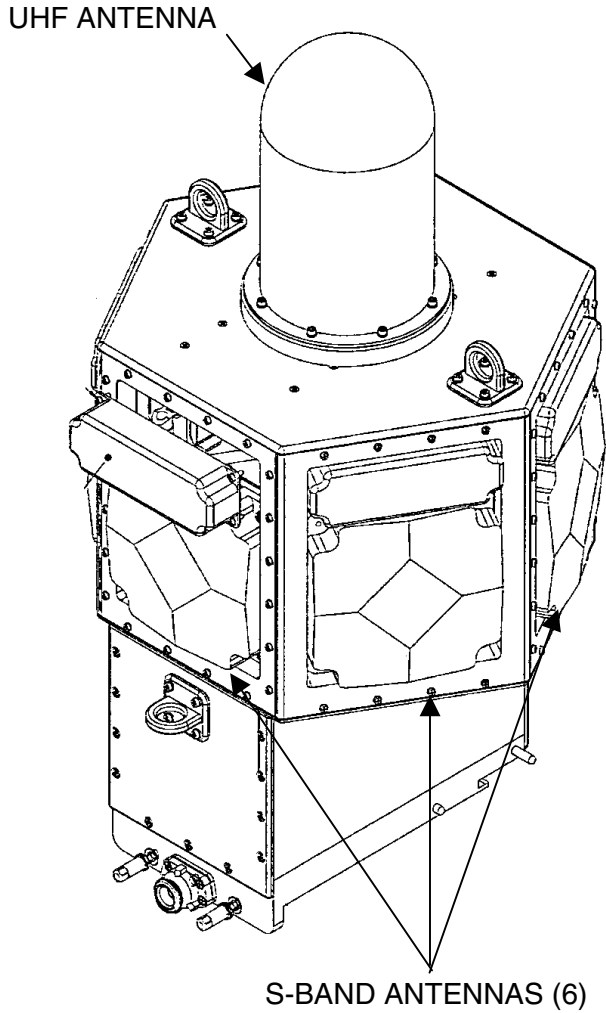
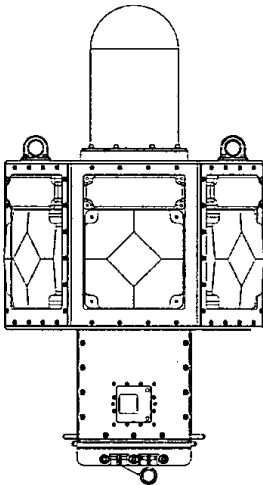
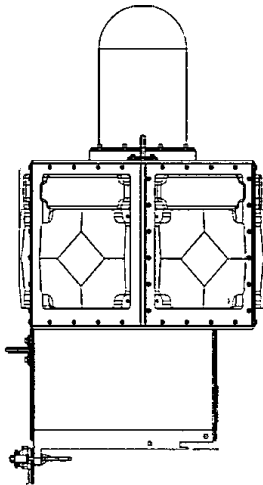
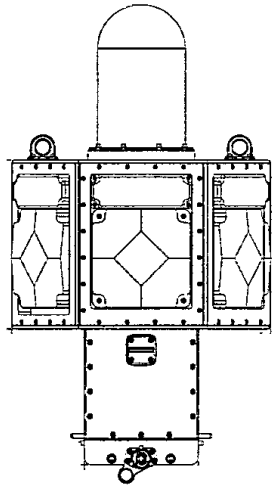


MT STOP DEPLOYED

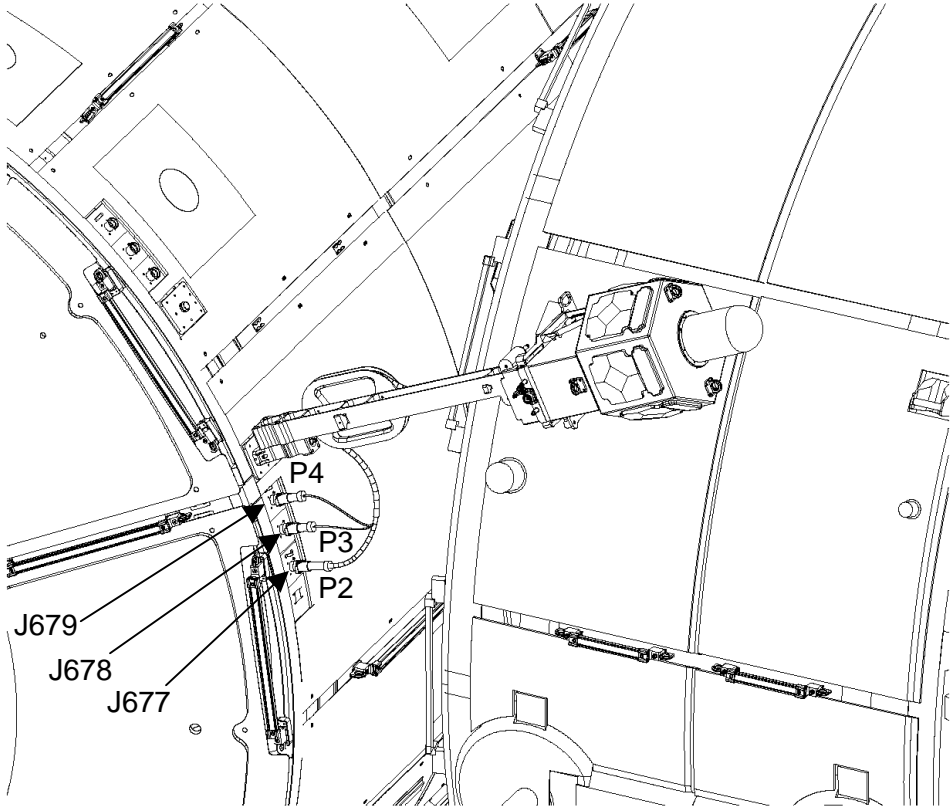
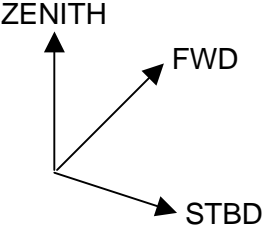
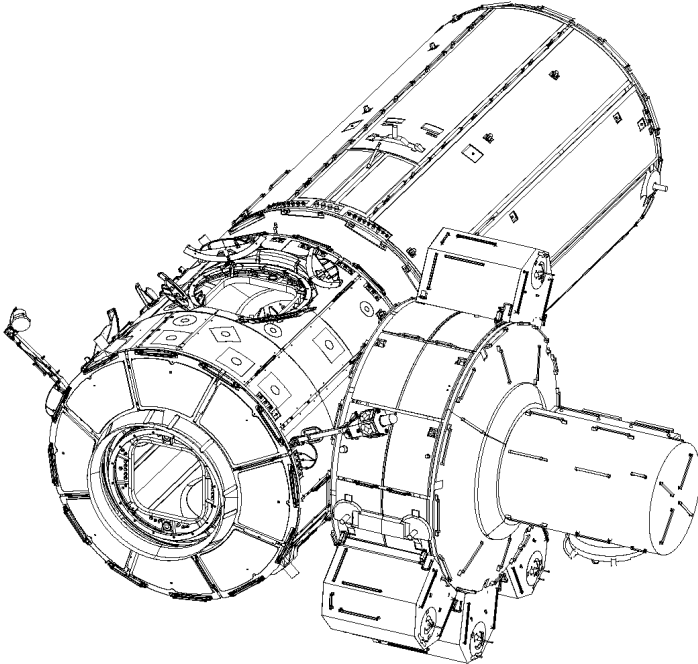


MT STOP DEPLOYED

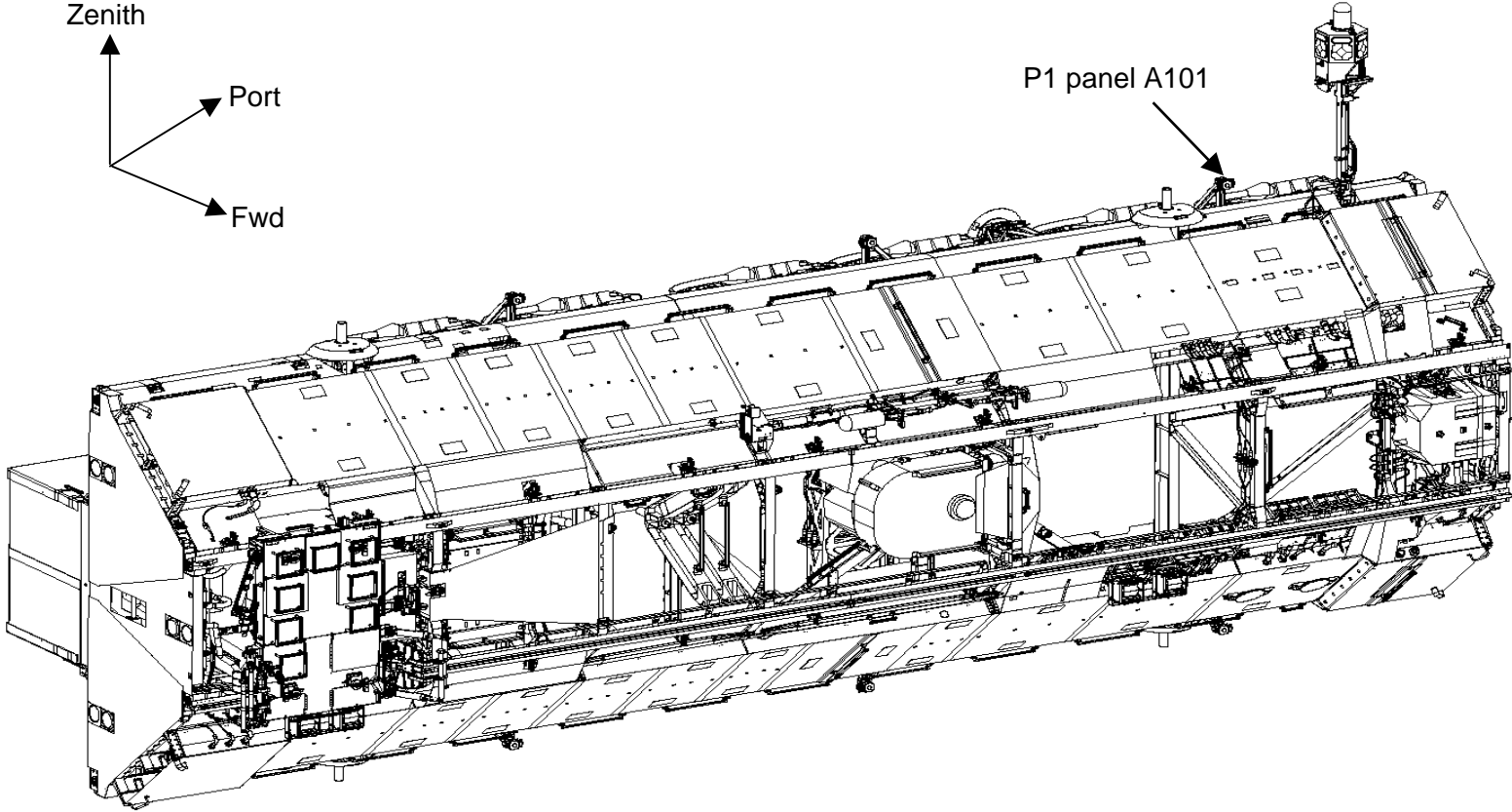
WVS EXTERNAL TRANSCEIVER ASSY (WETA)



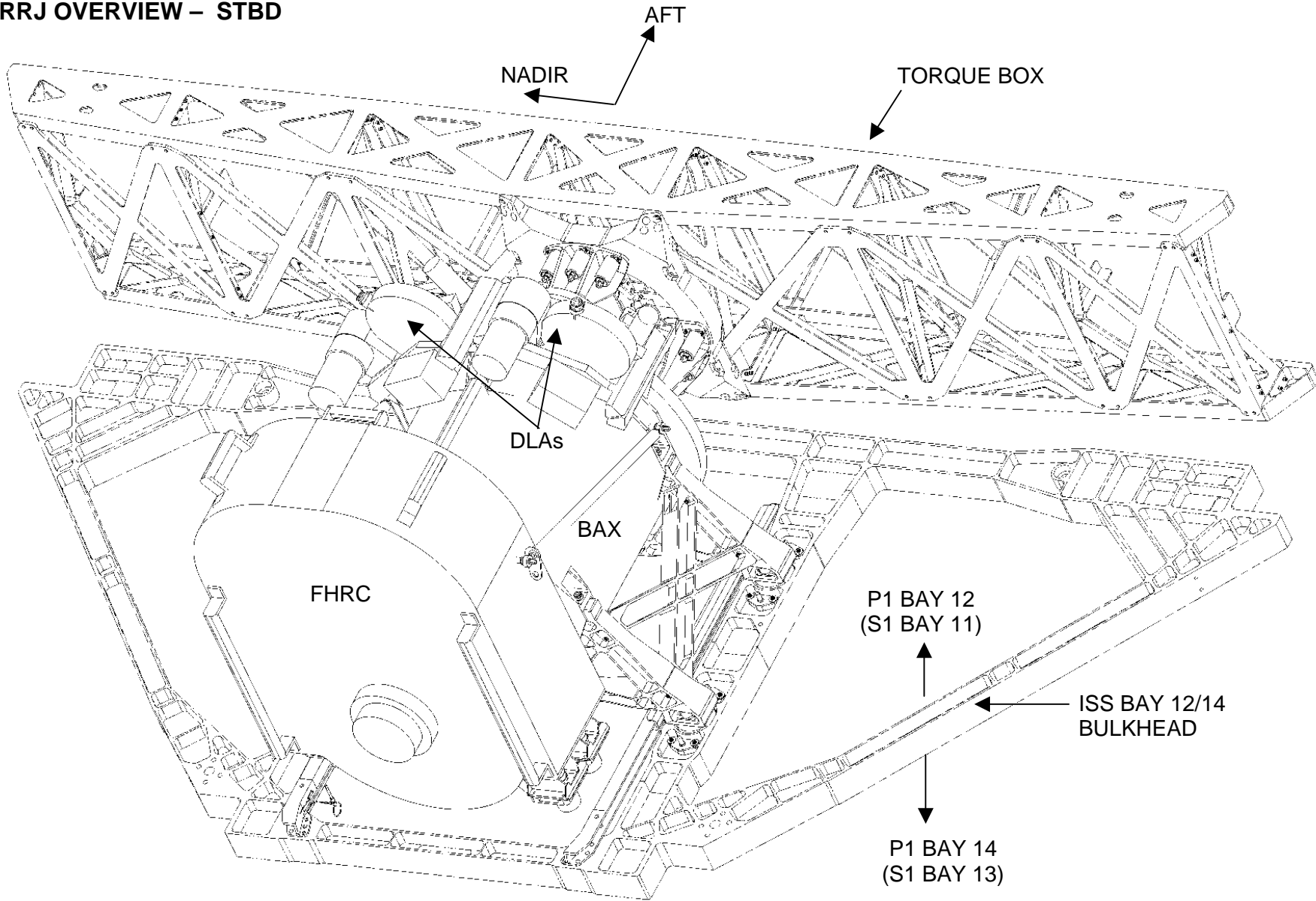
NODE WETA INSTALL – CP12



P1 WETA INSTALL – CP08

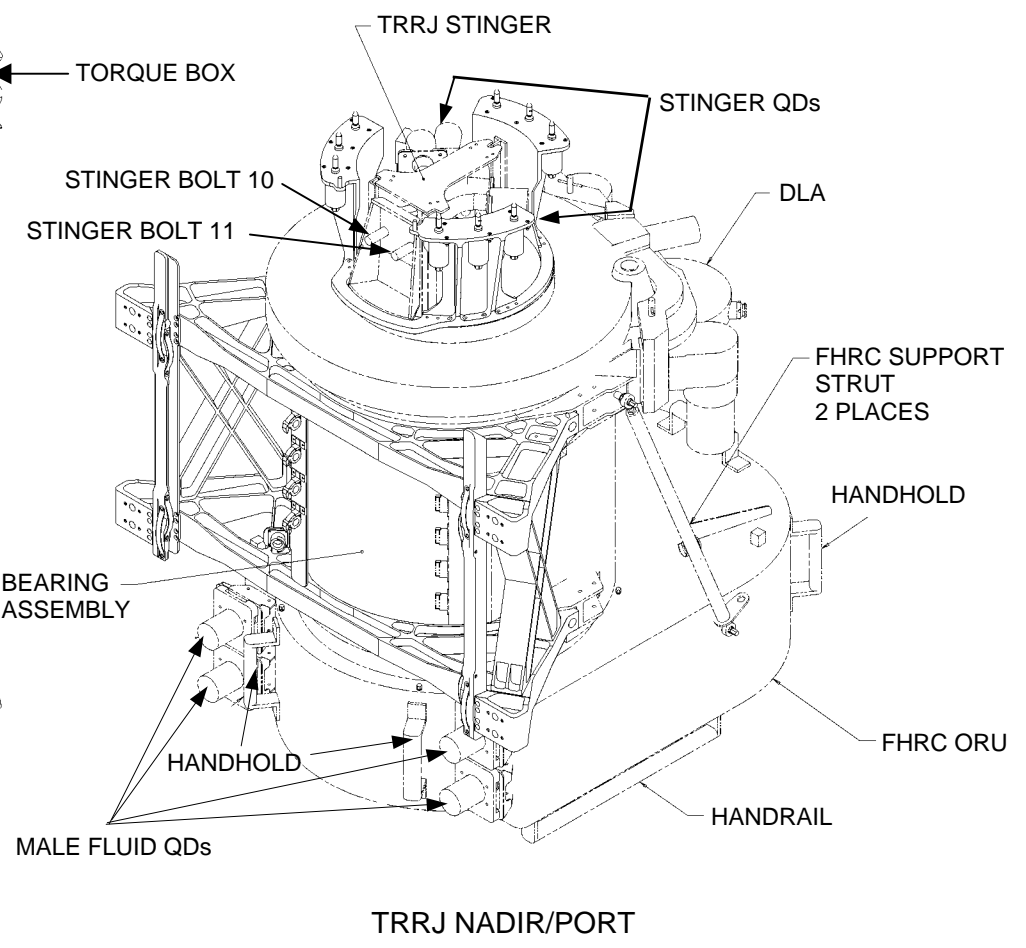
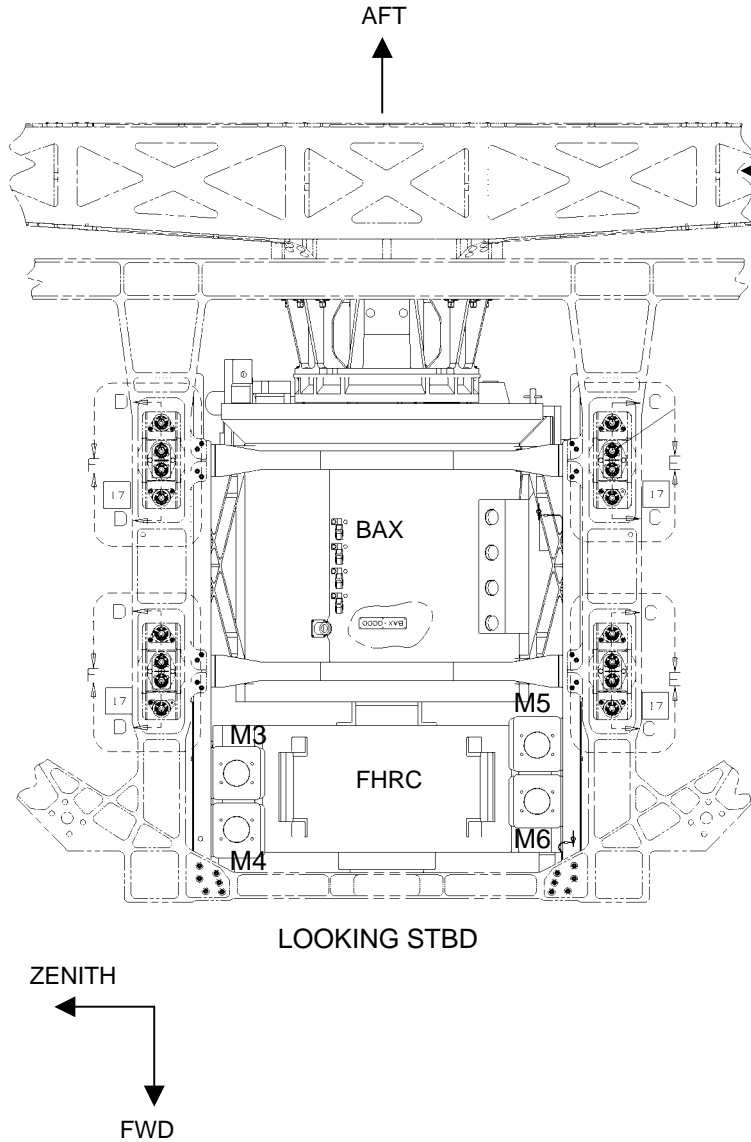


TRRJ OVERVIEW – STBD

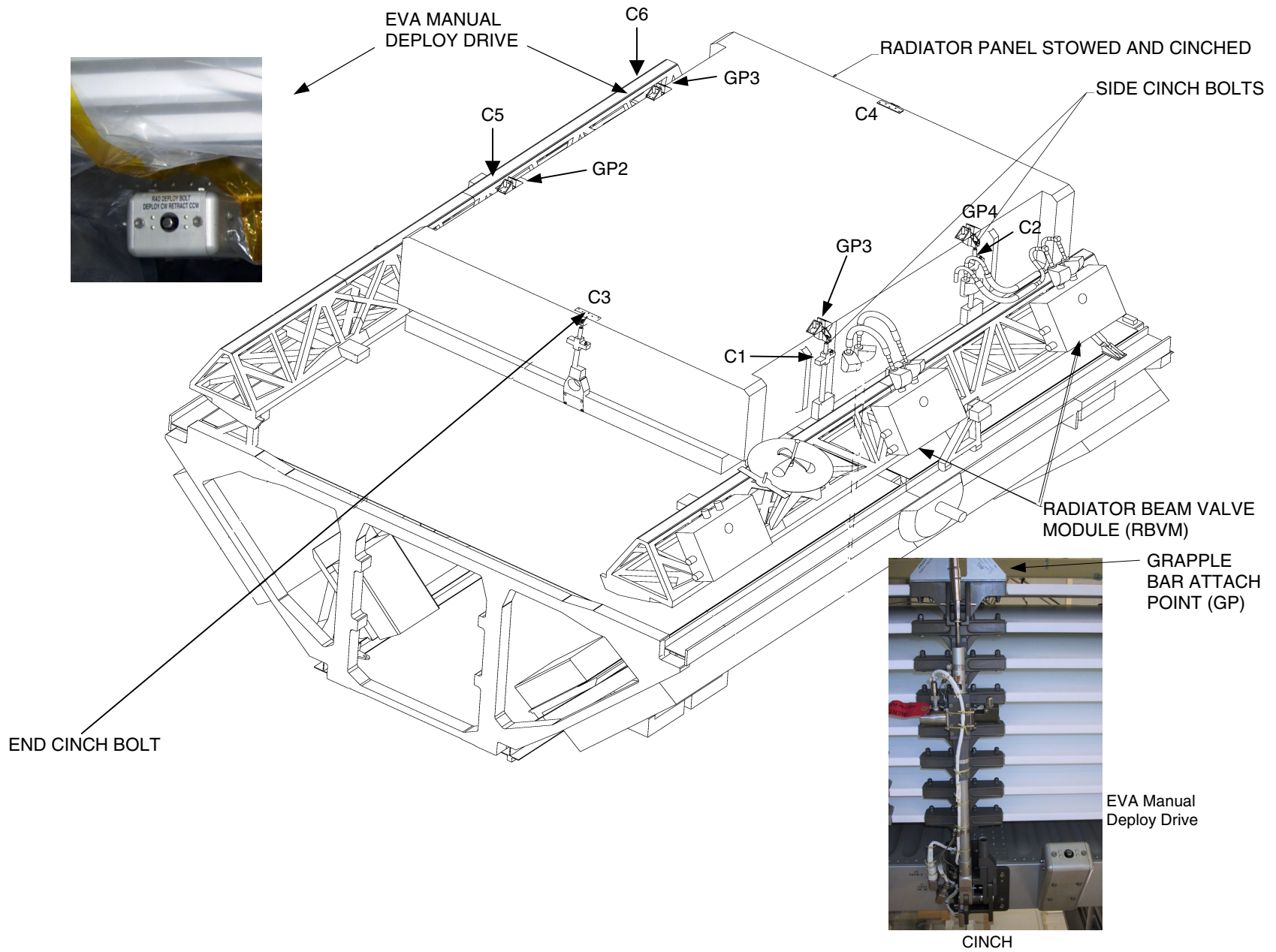


P1: ISS BAY 12, LOOKING PORT/AFT
S1: ISS BAY 11, LOOKING STBD/AFT

TRRJ OVERVIEW – P1 PORT/S1 STBD



RADIATOR OVERVIEW



UHF ANTENNA

