

# **BODY STRUCTURE**

## **B.00.00**

### **B.01.00 BULKHEAD**

- B.01A.00 FRONT
- B.01B.00 INTERMEDIATE BAY
- B.01C.00 WHEELHOUSE BAY
- B.01D.00 INTERMEDIATE HI-BAY
- B.01E.00 REAR
- B.01F.00 CONVERTIBLE BAY

### **B.02.00 BUMPER**

### **B.03.00 LIGHTING**

### **B.04.00 LIGHT BOX**

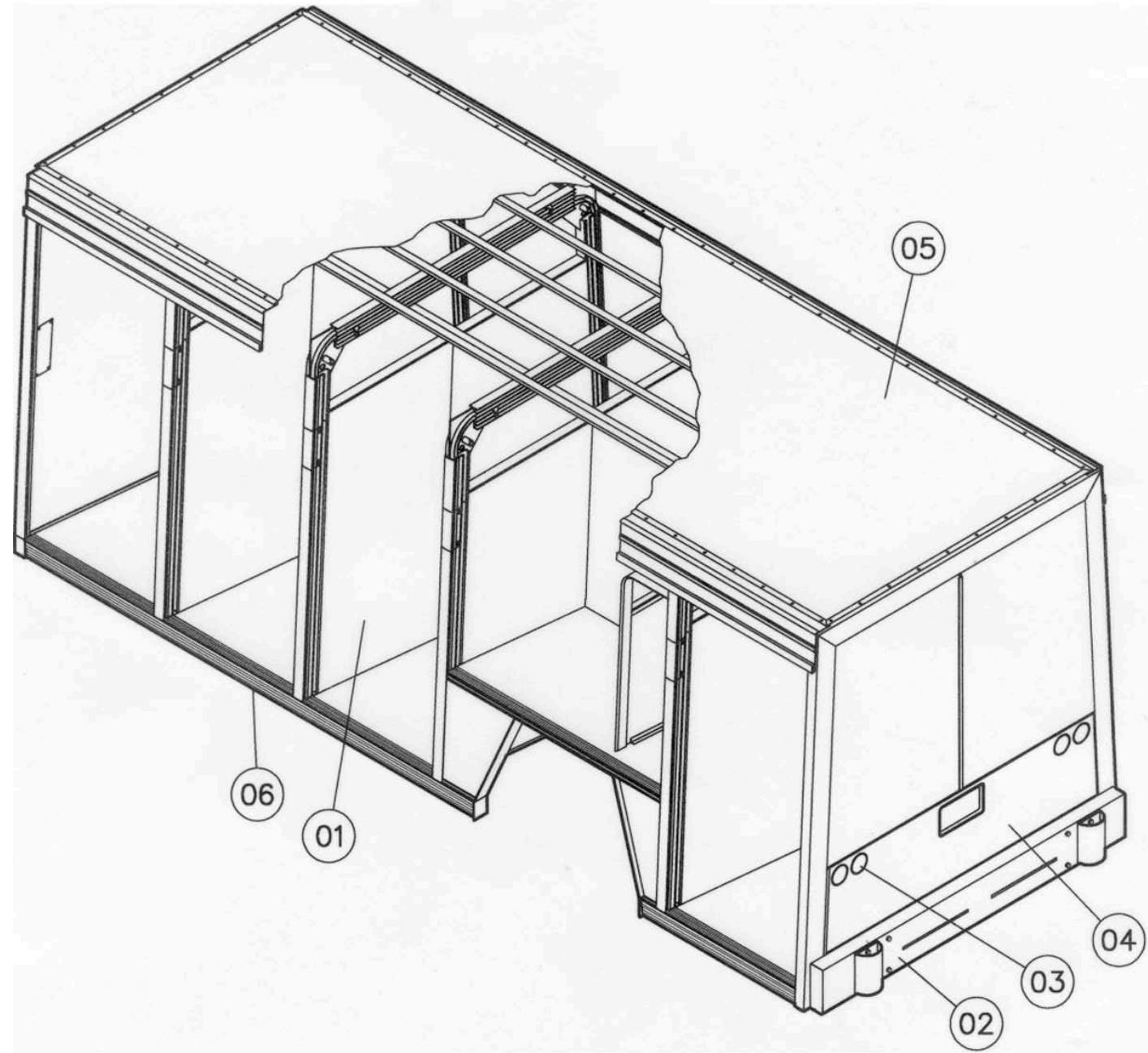
### **B.05.00 ROOF**

### **B.06.00 STRUCTURE DETAIL**

- B.06A.00 CONVERTIBLE
- B.06B.00 HOTSHOT BODY



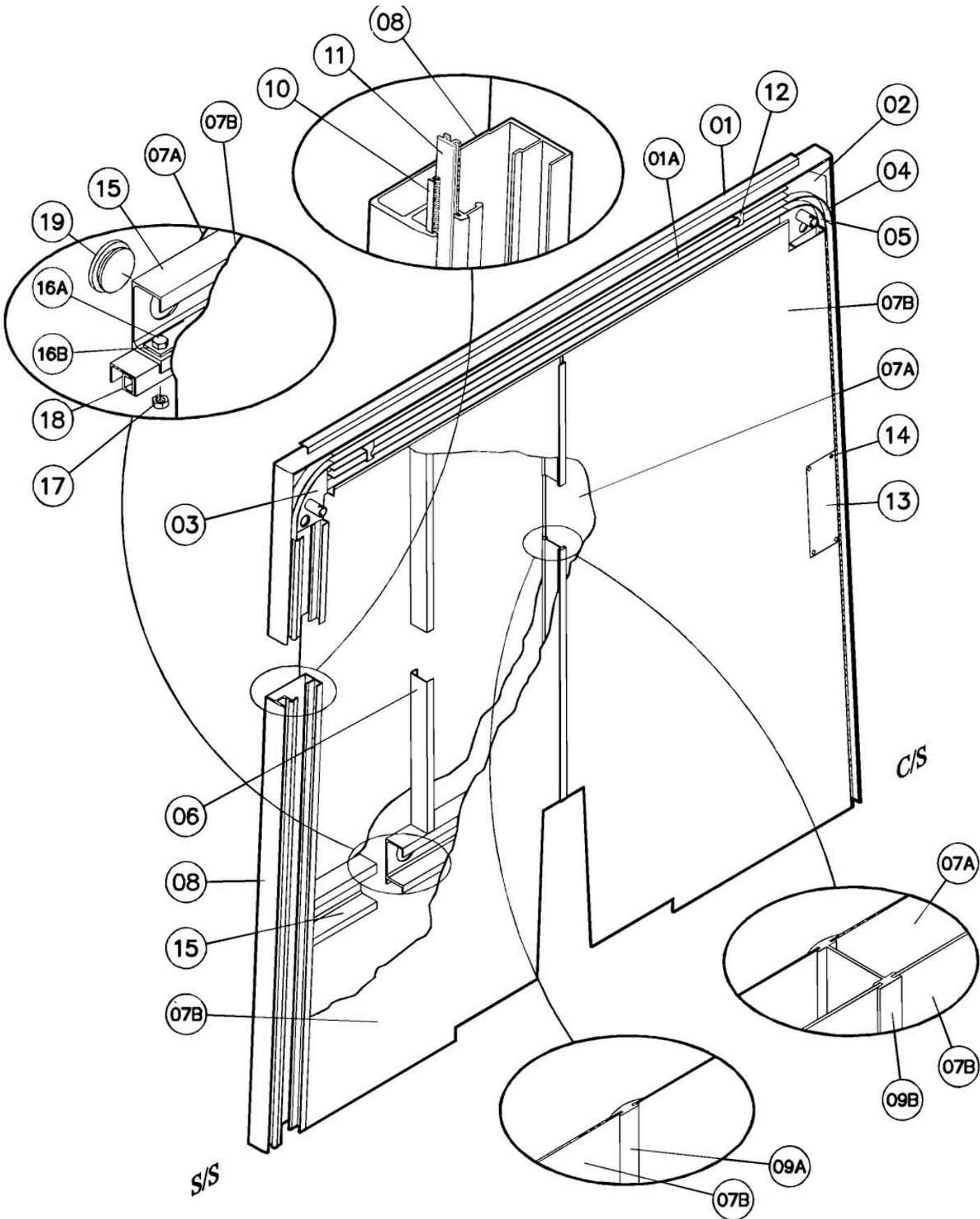
# Body Structure (B.00.00)



## AFTERMARKET PARTS DESCRIPTION

BODY REF NO	ITEM ID	ITEM DESCRIPTION	EQUIVALENT SUPPLIER INFO
<b>B.01A.00</b>	<b>0</b>	<b>BULKHEAD, FRONT</b>	
B.01A.01	300323	EXTR, HDR	
B.01A.01	300323-96	EXTR, HDR X 96	
B.01A.01A	300324	EXTR, HDR INSERT	
B.01A.01A	300324-96	EXTR, HDR INSERT X 96	
B.01A.02		CORNER PLT, FR C/S	
B.01A.03		CORNER PLT, FR S/S	
B.01A.04	50075	RADIUS BAR, UPR X 12-3/4	
B.01A.05	50076	RADIUS BAR, LWR X 10-3/4	
B.01A.06	300144	EXTR, BALL CHNL 2-3/4	
B.01A.06	300144-96	EXTR, BALL CHNL 2-3/4 X 96	
B.01A.07A	48118-1	SHT, AL, .080 X 45 X 70 H34	
B.01A.07B	48167	SHT, AL, .125 X 51-3/4 X 80 H38	
B.01A.08	300341	EXTR, B/H POST,	
B.01A.08	300341-104	EXTR, B/H POST, X 104	
B.01A.08	300341-65	EXTR, B/H POST, X 65	
B.01A.09A	300178-74	EXTR, SHT DVDR, SINGLE SHT X 74	
B.01A.09B	300179-74	EXTR, SHT DVDR, DOUBLE SHT X 74	
B.01A.10	55260	DOOR TRACK, INNER SEAL (R400500)	
B.01A.11	55261	DOOR WEARSTRIP X 87-1/2	
B.01A.11	55262	DOOR WEARSTRIP X 62-1/2	
B.01A.11	69173	DOOR WEARSTRIP X 101	
B.01A.12	07792	DOOR STOP	
B.01A.13	62549	LOCK COVER PLT	
B.01A.14	64815	RIVET, 3/16 HUCK MAGNA-LOC	HUCK MGLT B6-E
B.01A.15	300328-92	EXTR, MTG CHNL X 92	
B.01A.16	41173	MTG BOLT PLT ASSY, STL	
B.01A.16A	09343	SCREW, 5/8-11 X 1-1/2 HHC GR 8	
B.01A.16B	00005	PLATE, STL, REINF	
B.01A.17	09399	NUT, 5/8-11 LOCK STOVER	
B.01A.18	39188	MTG CHNL ASSY, STL, COMBO	
B.01A.19	54315	PLUG, 3"	HEYCO HUNKY
B.01A.25	43124	TITANIUM PUTTY - 1 LB.	DEVCO #10760

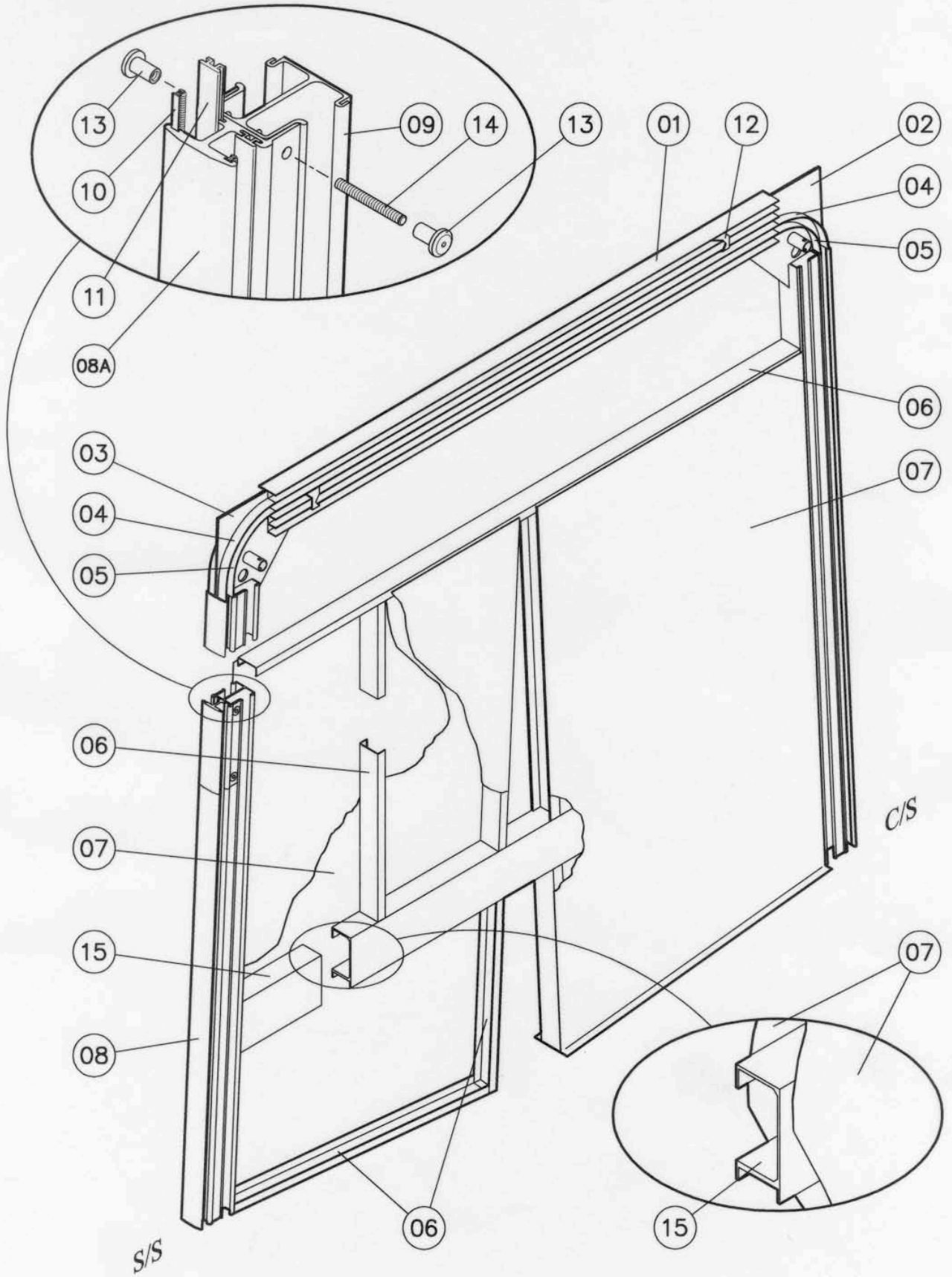
# Bulkhead, Front (B.01A.00)



## AFTERMARKET PARTS DESCRIPTION

BODY REF NO	ITEM ID	ITEM DESCRIPTION	EQUIVALENT SUPPLIER INFO
<b>B.01B.00</b>	<b>0</b>	<b>BULKHEAD, INTERMEDIATE BAY</b>	
B.01B.01	300308	EXTR, HDR	
B.01B.01	300308-96	EXTR, HDR X 96	
B.01B.02		CORNER PLT, INTR C/S	
B.01B.03		CORNER PLT, INTR, S/S	
B.01B.04	50076	RADIUS BAR, UPR X 12-3/4	
B.01B.05	50076	RADIUS BAR, LWR X 10-3/4	
B.01B.06	300144	EXTR, BALL CHNL 2-3/4	
B.01B.06	300144-96	EXTR, BALL CHNL 2-3/4 X 96	
B.01B.07	47952	SHT, AL, .080 X 45 X 83 H34	
B.01B.08	300309	EXTR, B/H POST, OUTER ('87)	
B.01B.08	300309-48	EXTR, B/H POST, OUTER X 48 ('87)	
B.01B.08	300309-87-04	EXTR, B/H POST, OUTER X 87-1/4 ('87)	
B.01B.08A	300309-10-8	EXTR, B/H POST, REMOV SECT X 10-1/2 ('87)	
B.01B.09	300310	EXTR, B/H POST, INNER ('87)	
B.01B.09	300310-48	EXTR, B/H POST, INNER X 48 ('87)	
B.01B.09	300310-86-04	EXTR, B/H POST, INNER X 86-1/4" ('87)	
B.01B.09	300475	EXTR, B/H POST, INNER	
B.01B.09	300475-48	EXTR, B/H POST, INNER X 48	
B.01B.09	300475-92-05	EXTR, B/H POST, INNER X 92-5/16	
B.01B.10	55260	DOOR TRACK, INNER SEAL (R400500)	
B.01B.11	55261	DOOR WEARSTRIP X 87-1/2	
B.01B.11	55262	DOOR WEARSTRIP X 62-1/2	
B.01B.11	69173	DOOR WEARSTRIP X 101	
B.01B.12	07792	DOOR STOP	
B.01B.13	50071	CAMTAINER 5/16-18	890-60050-100
B.01B.14	50070	STUD, 5/16-18 X 2-5/8	
B.01B.15	300328-92	EXTR, MTG CHNL X 92	
B.01B.25	43124	TITANIUM PUTTY - 1 LB.	DEVCO #10760

# Bulkhead, Intermediate Bay (B.01B.00)

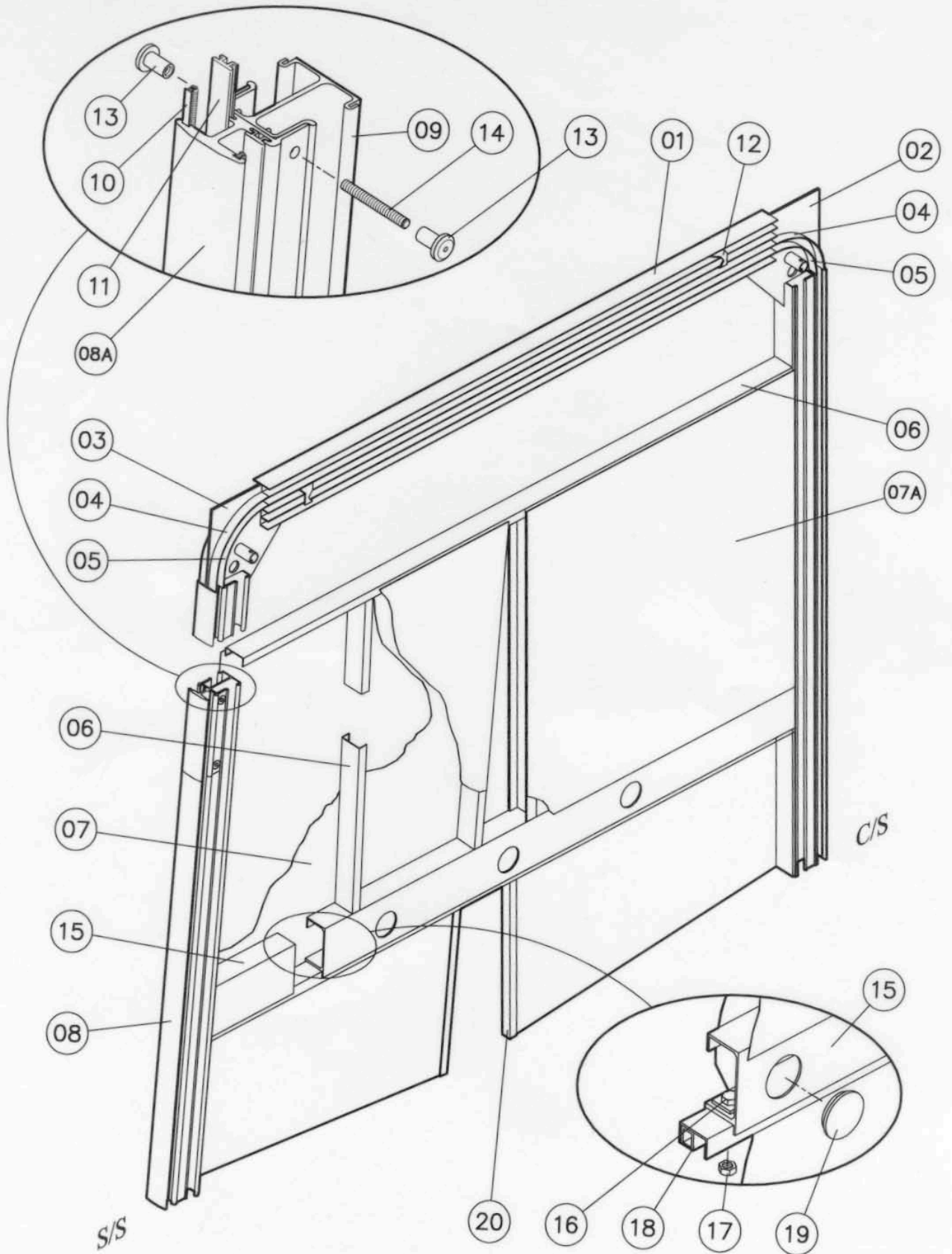




## AFTERMARKET PARTS DESCRIPTION

BODY REF NO	ITEM ID	ITEM DESCRIPTION	EQUIVALENT SUPPLIER INFO
<b>B.01C.00</b>	<b>0</b>	<b>BULKHEAD, WHEELHOUSE BAY</b>	
B.01C.01	300308	EXTR, HDR	
B.01C.01	300308-96	EXTR, HDR X 96	
B.01C.02		CORNER PLT, INTR C/S	
B.01C.03		CORNER PLT, INTR, S/S	
B.01C.04	50075	RADIUS BAR, UPR X 12-3/4	
B.01C.05	50076	RADIUS BAR, LWR X 10-3/4	
B.01C.06	300144	EXTR, BALL CHNL 2-3/4	
B.01C.06	300144-96	EXTR, BALL CHNL 2-3/4 X 96	
B.01C.07	48167	SHT, AL, .125 X 51-3/4 X 80 H38	
B.01C.07A	47952	SHT, AL, .080 X 45 X 83 H34	
B.01C.08	300309	EXTR, B/H POST, OUTER ('87)	
B.01C.08	300309-48	EXTR, B/H POST, OUTER X 48 ('87)	
B.01C.08	300309-92-05	EXTR, B/H POST, OUTER X 92-5/16 ('87)	
B.01C.08A	300309-10-8	EXTR, B/H POST, REMOV SECT X 10-1/2 ('87)	
B.01C.09	300310	EXTR, B/H POST, INNER ('87)	
B.01C.09	300310-48	EXTR, B/H POST, INNER X 48 ('87)	
B.01C.09	300310-86-04	EXTR, B/H POST, INNER X 86-04 ('87)	
B.01C.09	300475	EXTR, B/H POST, INNER	
B.01C.09	300475-48	EXTR, B/H POST, INNER X 48	
B.01C.09	300475-92-05	EXTR, B/H POST, INNER X 92-5/16	
B.01C.10	55260	DOOR TRACK, INNER SEAL (R400500)	
B.01C.11	55261	DOOR WEARSTRIP X 87-1/2	
B.01C.11	55262	DOOR WEARSTRIP X 62-1/2	
B.01C.11	69173	DOOR WEARSTRIP X 101	
B.01C.12	07792	DOOR STOP	
B.01C.13	50071	CAMTAINER 5/16-18	890-60050-100
B.01C.14	50070	STUD, 5/16-18 X 2-5/8	
B.01C.15	300328-92	EXTR, MTG CHNL X 92	
B.01C.16	41173	MTG BOLT PLT ASSY, STL	
B.01C.16A	09343	SCREW, 5/8-11 X 1-1/2 HHC GR 5	
B.01C.16B	00005	PLATE, STL, REINF	
B.01C.17	09399	NUT, 5/8-11 LOCK STOVER	
B.01C.18	39188	MTG CHNL ASSY, STL, COMBO	
B.01C.19	54315	PLUG, 3"	HEYCO HUNKY
B.01C.25	43124	TITANIUM PUTTY - 1 LB.	DEVCO #10760

# Bulkhead, Wheelhouse Bay (B.01C.00)

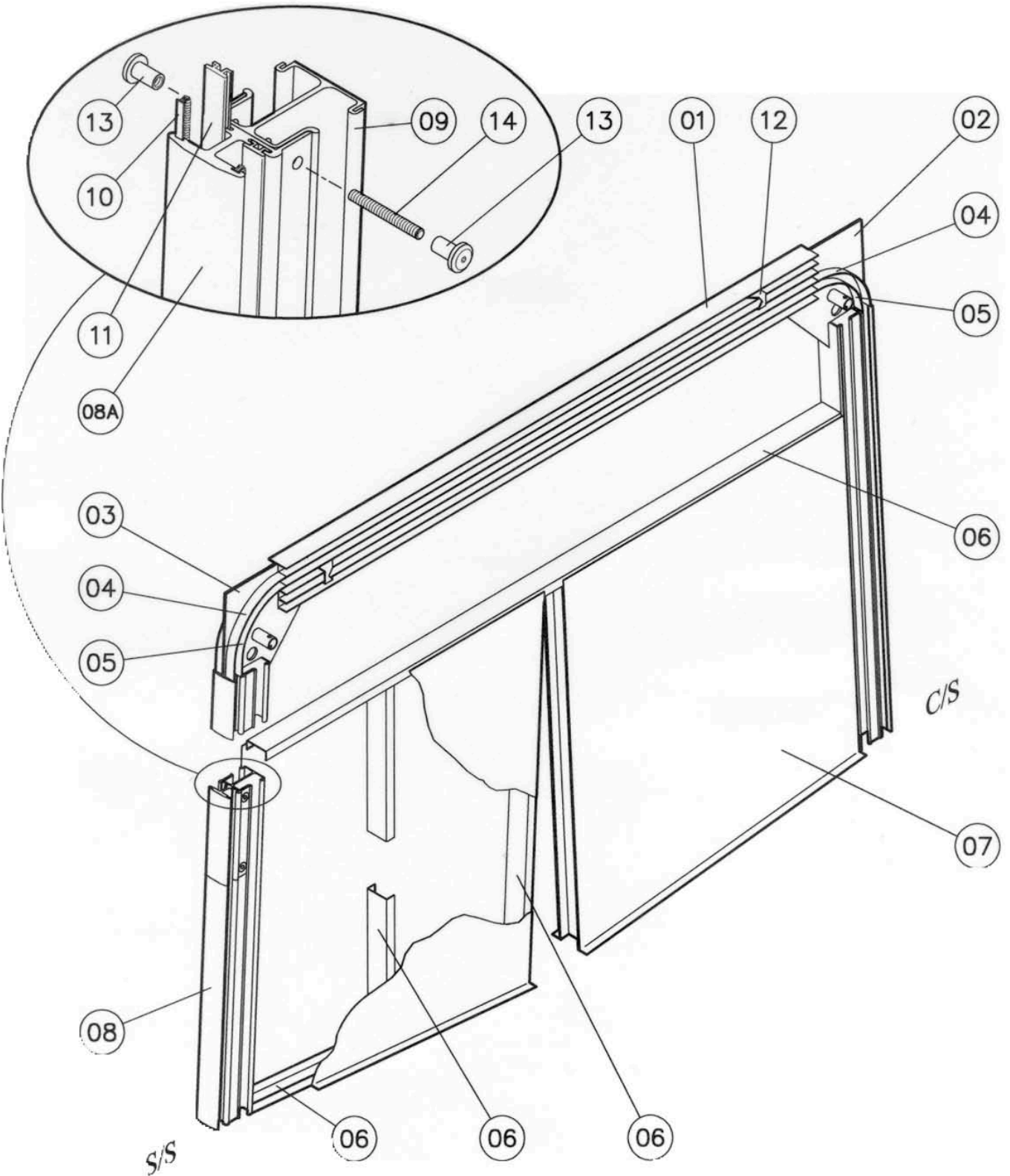




## AFTERMARKET PARTS DESCRIPTION

BODY REF NO	ITEM ID	ITEM DESCRIPTION	EQUIVALENT SUPPLIER INFO
B.01D.00	0	BULKHEAD, INTERMEDIATE HI-BAY	
B.01D.01	300308	EXTR, HDR	
B.01D.01	300308-96	EXTR, HDR X 96	
B.01D.02		CORNER PLT, INTR C/S	
B.01D.03		CORNER PLT, INTR, S/S	
B.01D.04	50075	RADIUS BAR, UPR X 12-3/4	
B.01D.05	50076	RADIUS BAR, LWR X 10-3/4	
B.01D.06	300144	EXTR, BALL CHNL 2-3/4	
B.01D.06	300144-96	EXTR, BALL CHNL 2-3/4 X 96	
B.01D.07	47952	SHT, AL, .080 X 45 X 83 H34	
B.01D.08	300309	EXTR, B/H POST, OUTER ('87)	
B.01D.08	300309-48	EXTR, B/H POST, OUTER X 48 ('87)	
B.01D.08	300309-92-05	EXTR, B/H POST, OUTER X 92-5/16 ('87)	
B.01D.08A	300309-10-8	EXTR, B/H POST, REMOV SECT X 10-1/2 ('87)	
B.01D.09	300310	EXTR, B/H POST, INNER ('87)	
B.01D.09	300310-48	EXTR, B/H POST, INNER X 48 ('87)	
B.01D.09	300310-86-04	EXTR, B/H POST, INNER X86-04 ('87)	
B.01D.09	300475	EXTR, B/H POST, INNER	
B.01D.09	300475-48	EXTR, B/H POST, INNER X 48	
B.01D.09	300475-92-05	EXTR, B/H POST, INNER X 92-5/16	
B.01D.10	55260	DOOR TRACK, INNER SEAL (R400500)	
B.01D.11	55261	DOOR WEARSTRIP X 87-1/2	
B.01D.11	55262	DOOR WEARSTRIP X 62-1/2	
B.01D.11	69173	DOOR WEARSTRIP X 101	
B.01D.12	07792	DOOR STOP	
B.01D.13	50071	CAMTAINER 5/16-18	890-60050-100
B.01D.14	50070	STUD, 5/16-18 X 2-5/8	
B.01D.25	43124	TITANIUM PUTTY - 1 LB.	DEVCO #10760

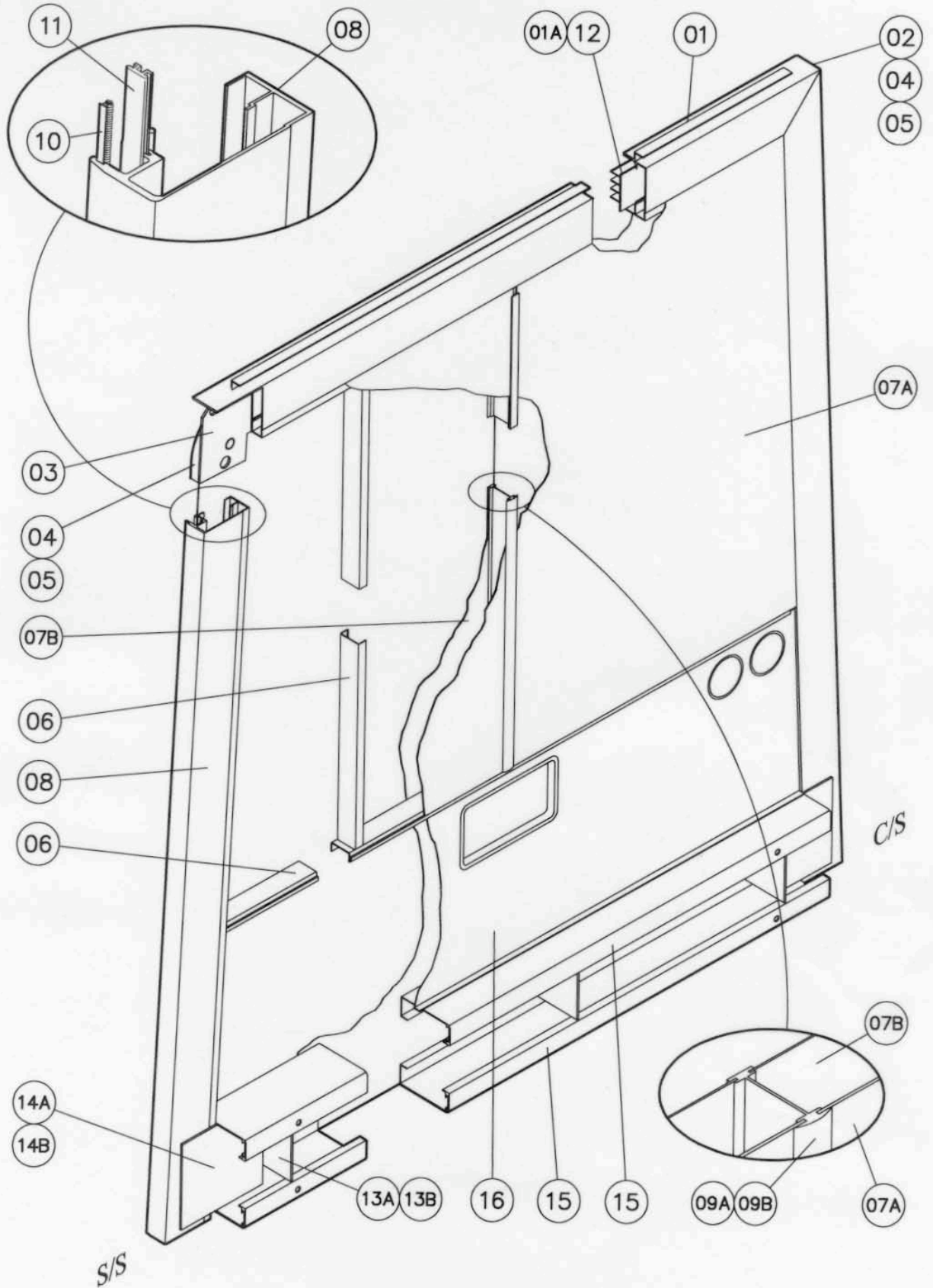
# Bulkhead, Intermediate Hi-Bay (B.01D.00)



## AFTERMARKET PARTS DESCRIPTION

BODY REF NO	ITEM ID	ITEM DESCRIPTION	EQUIVALENT SUPPLIER INFO
B.01E.00	0	BULKHEAD, REAR	
B.01E.01	300323	EXTR, HDR	
B.01E.01	300323-96	EXTR, HDR X 96	
B.01E.01A	300324	EXTR, HDR INSERT	
B.01E.01A	300324-96	EXTR, HDR INSERT X 96	
B.01E.02		CORNER PLT, RR C/S	
B.01E.03		CORNER PLT, RR S/S	
B.01E.04	50075	RADIUS BAR, UPR X 12-3/4	
B.01E.05	50076	RADIUS BAR, LWR X 10-11/16	
B.01E.06	300144	EXTR, BALL CHNL 2-3/4	
B.01E.06	300144-96	EXTR, BALL CHNL 2-3/4 X 96	
B.01E.07A	48118-1	SHT, AL, .080 X 45 X 70 H34	
B.01E.07B	48110	SHT, AL, .125 X 51-3/4 X 95-1/4 H38	
B.01E.08	300341	EXTR, B/H POST,	
B.01E.08	300341-104	EXTR, B/H POST, X 104	
B.01E.08	300341-65	EXTR, B/H POST, X 65	
B.01E.09A	300178-74	EXTR, SHT DVDR, SINGLE SHT X 74	
B.01E.09B	300179-74	EXTR, SHT DVDR, DOUBLE SHT X 74	
B.01E.10	55260	DOOR TRACK, INNER SEAL (R400500)	
B.01E.11	55261	DOOR WEARSTRIP X 87-1/2	
B.01E.11	55262	DOOR WEARSTRIP X 62-1/2	
B.01E.11	69173	DOOR WEARSTRIP X 101	
B.01E.12	07792	DOOR STOP	
B.01E.13A	69146	PLATE, REINF 1/4 X 5-13/16 X 4-3/4	
B.01E.13B	12630	PLATE, REINF 1/4 X 5-13/16 X 6-3/4	
B.01E.14A	67542	PLATE, REINF 1/4 X 10-1/2 X 6-3/4	
B.01E.14B	11259	PLATE, REINF 1/4 X 9-5/8 X 10-1/2	
B.01E.15	300325-84	EXTR, BMPR REINF CHNL X 84	
B.01E.16	68710-1	LIGHT BOX PNL 23-IN. HIGH	
B.01E.25	43124	TITANIUM PUTTY - 1 LB.	DEVCO #10760

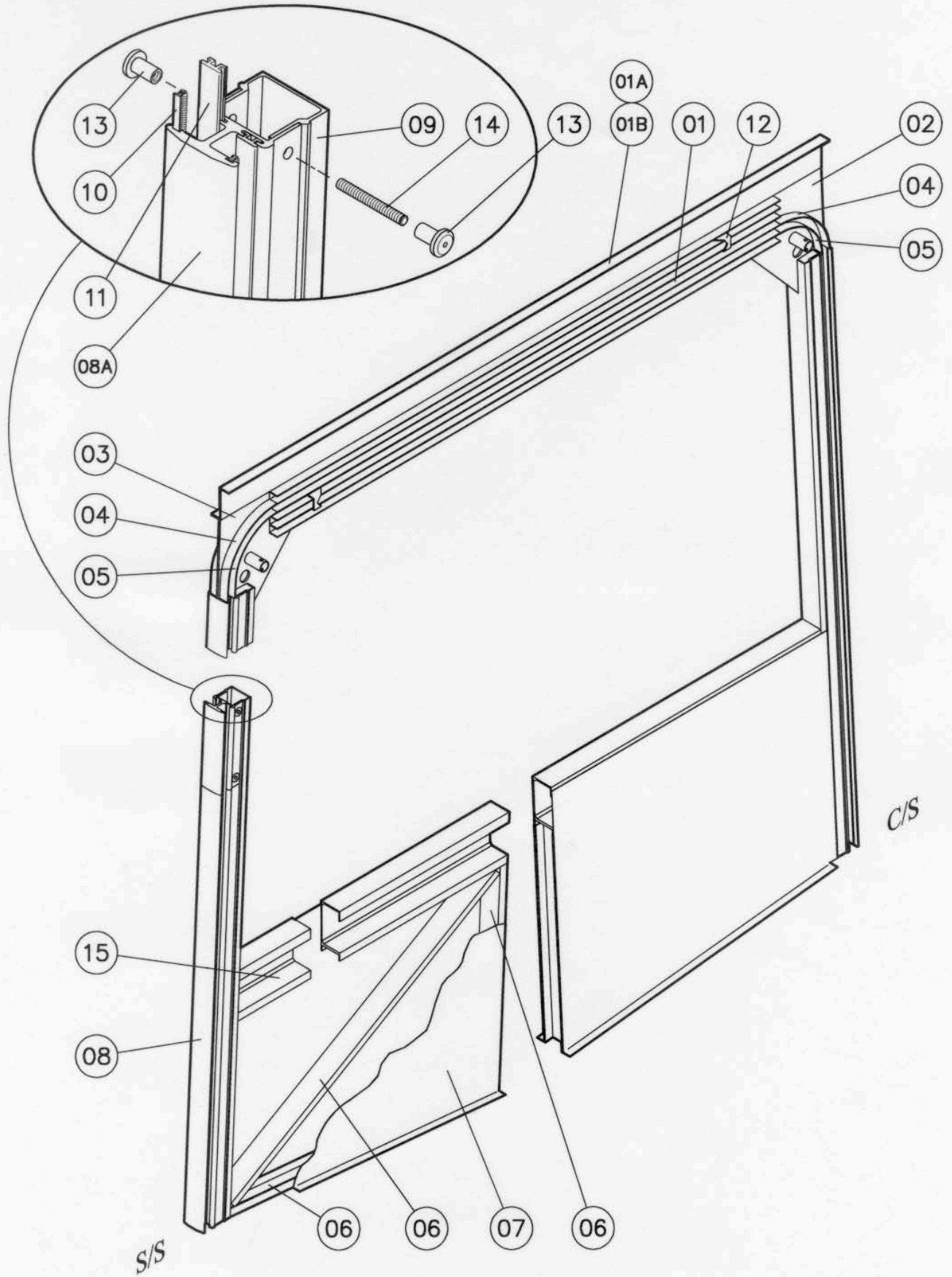
# Bulkhead Rear (B.01E.00)



## AFTERMARKET PARTS DESCRIPTION

BODY REF NO	ITEM ID	ITEM DESCRIPTION	EQUIVALENT SUPPLIER INFO
<b>B.01F.00</b>	<b>0</b>	<b>BULKHEAD, CONVERTIBLE BAY</b>	
B.01F.01	300308	EXTR, HDR	
B.01F.01	300308-96	EXTR, HDR X 96	
B.01F.01A	63543	HEADER EXTENSION	
B.01F.01B	300444-102	TBG, AL, 3 X 4 X 1/8 X 102	
B.01F.02		CORNER PLT, INTR C/S	
B.01F.03		CORNER PLT, INTR S/S	
B.01F.04	52903	RADIUS BAR, UPR	
B.01F.05	52901	RADIUS BAR, LWR	
B.01F.06	300144	EXTR, BALL CHNL 2-3/4	
B.01F.06	300144-96	EXTR, BALL CHNL 2-3/4 X 96	
B.01F.07	47825	SHT, AL, .125 X 44-3/4 X 38-5/16 H38	
B.01F.08	300309	EXTR, B/H POST, OUTER ('87)	
B.01F.08	300309-48	EXTR, B/H POST, OUTER X 48 ('87)	
B.01F.08	300309-92-05	EXTR, B/H POST, OUTER X 92-5/16 ('87)	
B.01F.08A	300309-10-8	EXTR, B/H POST, REMOV SECT X 10-1/2 ('87)	
B.01F.09	300310	EXTR, B/H POST, INNER ('87)	
B.01F.09	300310-48	EXTR, B/H POST, INNER X 48 ('87)	
B.01F.09	300310-86-04	EXTR, B/H POST, INNER X 86-1/4" ('87)	
B.01F.10	55260	DOOR TRACK, INNER SEAL (R400500)	
B.01F.11	55261	DOOR WEARSTRIP X 87-1/2	
B.01F.11	55262	DOOR WEARSTRIP X 62-1/2	
B.01F.11	69173	DOOR WEARSTRIP X 101	
B.01F.12	07792	DOOR STOP	
B.01F.13	50071	CAMTAINER 5/16-18	890-60050-100
B.01F.14	50070	STUD, 5/16-18 X 2-5/8	
B.01F.15	300328-92	EXTR, MTG CHNL X 92	
B.01F.25	43124	TITANIUM PUTTY - 1 LB.	DEVCO #10760

# Bulkhead, Convertible (B.01F.00)

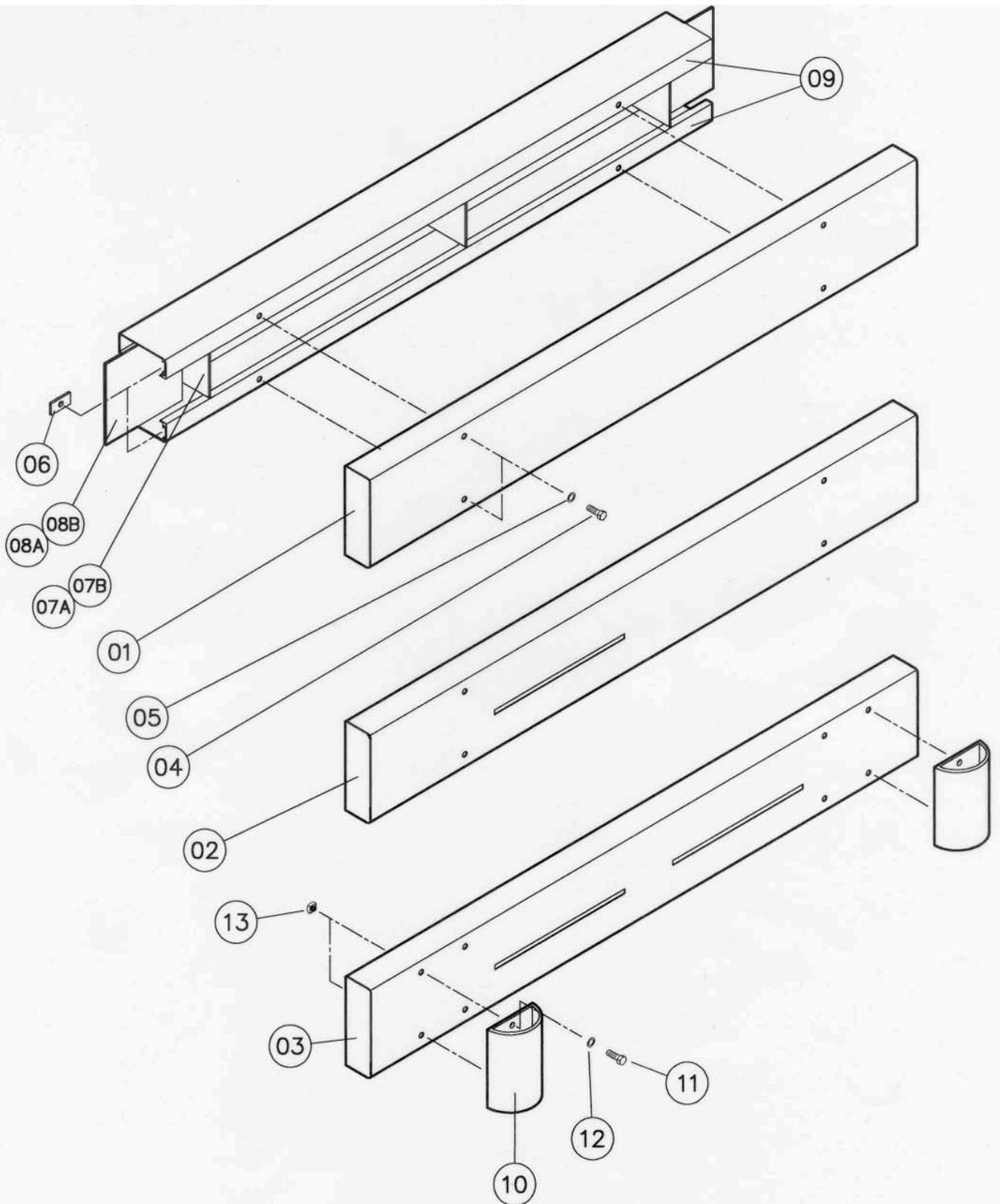




## AFTERMARKET PARTS DESCRIPTION

B.02.01	11251	BUMPER X 96 (300334-96)	
B.02.01	36242	BUMPER X 100	
B.02.01	69144-1	BUMPER X 93-1/2 (300334-93-04)	
B.02.02	61227	BUMPER X 100 W/SINGLE SLOT	
B.02.02	68354	BUMPER X 93-1/2 W/SINGLE SLOT	
B.02.03	64661	BUMPER X 93-3/4 W/DUAL SLOT/CC (300334-93-12)	
B.02.04	71189	SCREW, 5/8-11 X 1-1/2 HHC STNLS STEEL	
B.02.05	22103	WASHER, 5/8-ID INTERNAL STAR LOCK	
B.02.06	11256	NUTPLATE, BUMPER MTG	
B.02.07	12630	PLATE, REINF 1/4 X 5-13/16 X 6-3/4	
B.02.07A	69146	PLATE, REINF 1/4 X 5-13/16 X 4-3/4	
B.02.08	11259	PLATE, REINF 1/4 X 10-1/2 X 9-5/8	
B.02.08	67542	PLATE, REINF 1/4 X 10-1/2 X 6-3/4	
B.02.09	300325-84	EXTR, BMPR REINF CHNL X 84	
B.02.10	69618	BUMPERETTE, BOLT-ON	
B.02.11	35089	SCREW, 3/8-16 X 1-3/4 HHC	
B.02.12	09362	WASHER, 3/8 FLAT	
B.02.13	09323	NUT, 3/8-16 LOCK	

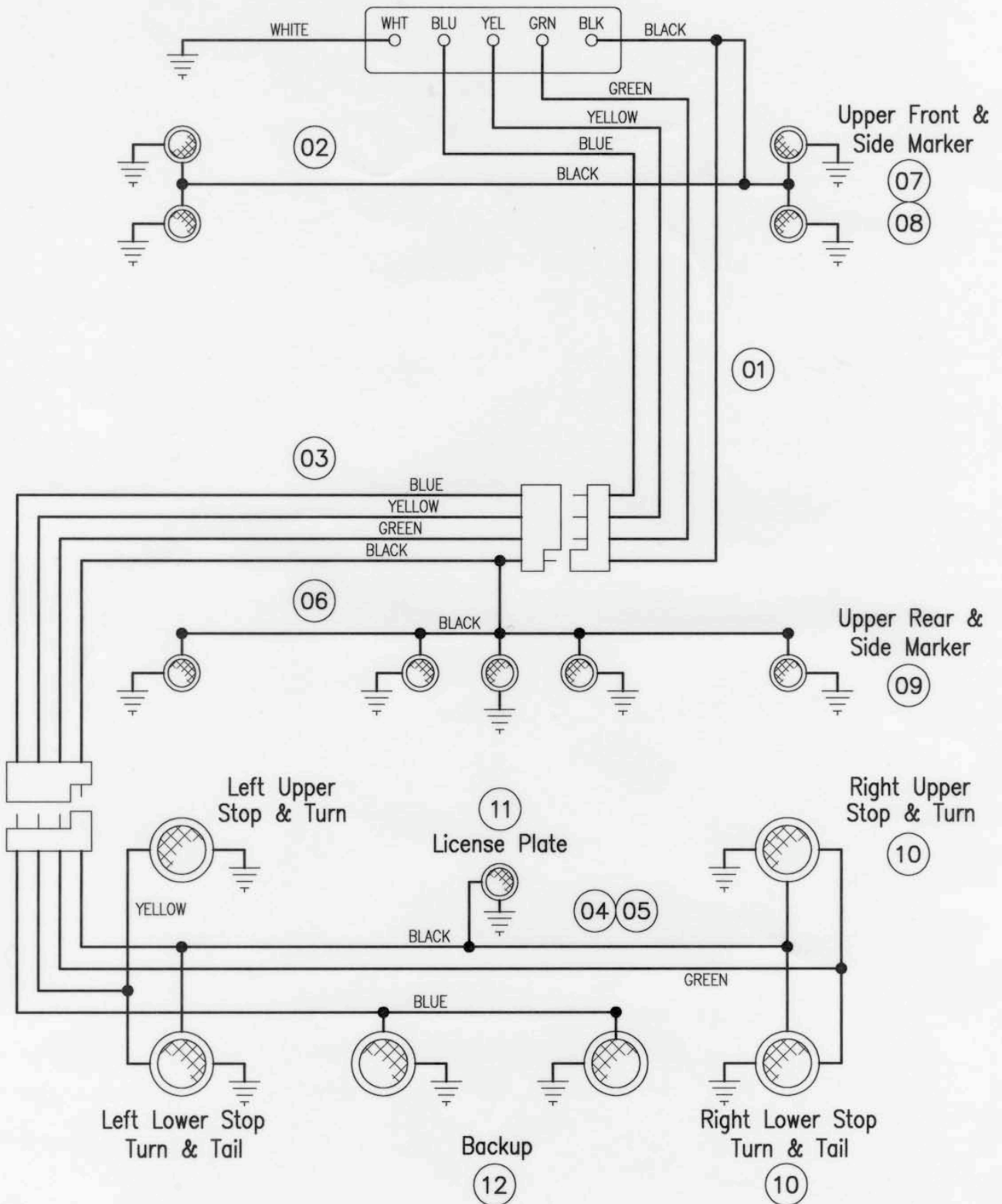
# Bumper (B.02.00)



**AFTERMARKET PARTS DESCRIPTION**  
**(Lighting Page 1 of 2)**

BODY REF NO	ITEM ID	ITEM DESCRIPTION	EQUIVALENT SUPPLIER INFO
<b>B.03.00</b>	<b>0</b>	<b>LIGHTING</b>	
B.03.00	67721	WIRING HARNESS, MAIN 35'	GROTE 66080
B.03.00	71852	WIRING HARNESS, REAR SILL, W/ ABS DROP	GROTE 01-6600-C3
B.03.00	71853	WIRING PIGTAIL 3-WIRE, STOP/TURN/TAIL UPPER C/S	GROTE 016681-T1
B.03.00	71854	WIRING PIGTAIL 3-WIRE, STOP/TURN/TAIL UPPER S/S	GROTE 016681-T2
B.03.00	71855	WIRING JUMPER, STOP/TURN/TAIL UPPER HARNESS	GROTE 01-6681-C3
B.03.00	72016	WIRING HARNESS, REAR UPPER CLEARANCE	GROTE 01-3650-D4
B.03.00	72017	WIRING HARNESS, SIDE/FRONT UPPER CLEARANCE	GROTE 01-3650-D6
B.03.00	72018	WIRING JUMPER, LICENSE PLATE LT	GROTE 01-6611-P3
B.03.00	70414	LIGHT, LICENSE PLATE	GROTE 60261-3
B.03.00	70415	GROMMET, LICENSE PLATE LIGHT	GROTE 92520
B.03.00	65296	JUNCTION BOX, 7 TERMINAL	MIDLAND GRAU #300634AF
B.03.00			
B.03.00	67707	WIRING HARNESS, REAR SILL	GROTE 66001
B.03.00	67708	WIRING PIGTAIL ADAPTER, STOP & MARKER	GROTE 66820
B.03.01	67709	WIRING PIGTAIL	GROTE 67011
B.03.02	67710	WIRING PIGTAIL	GROTE 66800
B.03.02	67711	WIRING JUMPER, MARKER, FR CLEARANCE X 152	GROTE 66163
B.03.02A	67712	WIRING JUMPER, LWR FR, SIDE MARKER, CLEARANCE	GROTE 66161
B.03.02B	67713	WIRING JUMPER, INTR, SIDE MARKER CLEARANCE	GROTE 66162
B.03.03	67714	WIRING JUMPER, BLUNT CUT X 8	GROTE 66190
B.03.03	67715	WIRING JUMPER, MULT ID LT X 12	GROTE 66160
B.03.03	67716	WIRING JUMPER, STOP TURN AUXILIARY	GROTE 66220
B.03.04	67717	WIRING PIGTAIL	GROTE 67120
B.03.05	67718	WIRING JUMPER, LICENSE PLATE LT X 52	GROTE 66100
B.03.05A	67719	WIRING JUMPER, RR TRACK LT X 24"	GROTE 66170
B.03.05B	67720	WIRING JUMPER	GROTE 66182
B.03.05C	67723	WIRING JUMPER, MALE TO FEMALE X 60	GROTE 66110
B.03.05D	67947	WIRING PIGTAIL 3-WIRE, PLUG-IN	GROTE 66812

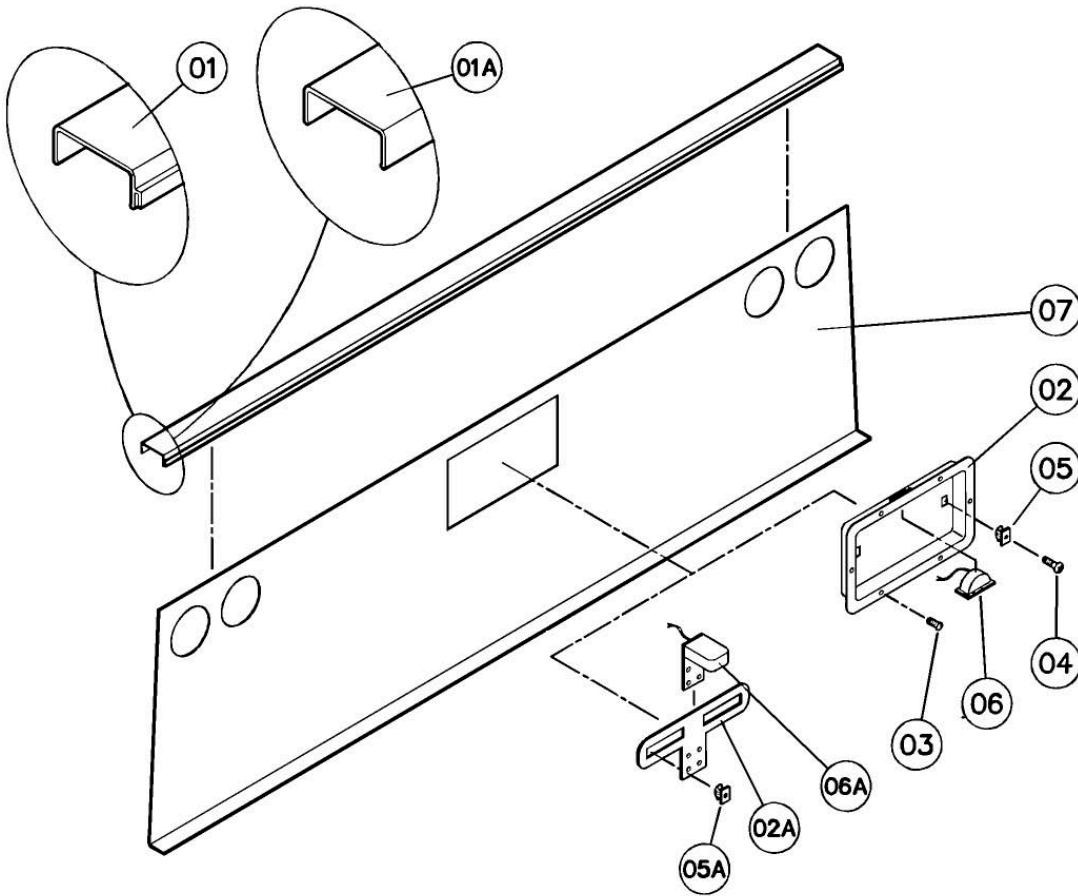
# Lighting (B.03.00)



**AFTERMARKET PARTS DESCRIPTION**  
**(Lighting Page 2 of 2)**

BODY REF NO	ITEM ID	ITEM DESCRIPTION	EQUIVALENT SUPPLIER INFO
<b>B.03.00</b>	<b>0</b>	<b>LIGHTING</b>	
B.03.07	48100	LIGHT, CLEARANCE, 2" AMBER	PM 146A
B.03.07	67622	LIGHT, CLEARANCE, 2" AMBER, LED	PM 165A
B.03.07	09582	LIGHT, CLEARANCE, 2-1/2" AMBER	PM 142A
B.03.08	67678	LIGHT GROMMET, 2 BRUSH GRD	PM 146-181
B.03.08	67620	LIGHT GROMMET, 2 FLUSH MNT	PM 146-18
B.03.08	09583	LIGHT GROMMET, 2-1/2	PM 142-18B
B.03.08	41618-1	LIGHT GROMMET, 2-1/2 , RECESSED MNT	PM 142-18
B.03.08A	41618	LIGHT, BRUSH GRD, 2-1/2", W/O LIGHT	PM 142-09
B.03.08A	67623	LIGHT, MTG BRKT, 2" BRUSH GRD	PM 146-09
B.03.09	32432	LIGHT, CLEARANCE, 2" RED	PM 146R
B.03.09	67621	LIGHT, CLEARANCE, 2" RED, LED	PM 165R
B.03.09	09581	LIGHT, CLEARANCE, 2-1/2" RED	PM 142R
B.03.10			
B.03.10	36800	LIGHT, STOP/TURN/TAIL,4" RED, W/GROMMET	PM 426KR
B.03.10	67624	LIGHT, STOP/TURN/TAIL 4" RED, LED	PM 417R
B.03.10A	65575	LIGHT GROMMET, 4" STOP/TURN/TAIL & BACK-UP	PM 426-18
B.03.11	70414	LIGHT, LICENSE PLT, RECESSED	GROTE 60261-3
B.03.11	57097	LIGHT, LICENSE PLT	PM 439
B.03.11A	70415	LIGHT, GROMMET, LICENSE PLT, RECESSED	GROTE 92520
B.03.12	36801	LIGHT, BACK-UP 4"	PM 415K
B.03.13	70815	LIGHT, OBLONG, UPPER W/GROMMET	PM 421KR
B.03.13	71304	LIGHT, OBLONG, UPPER W/GROMMET (LED)	PM 420KR
B.03.13A	70815-1	LIGHT GROMMET, OBLONG	PM 421-18B

# Light Box (B.04.00)

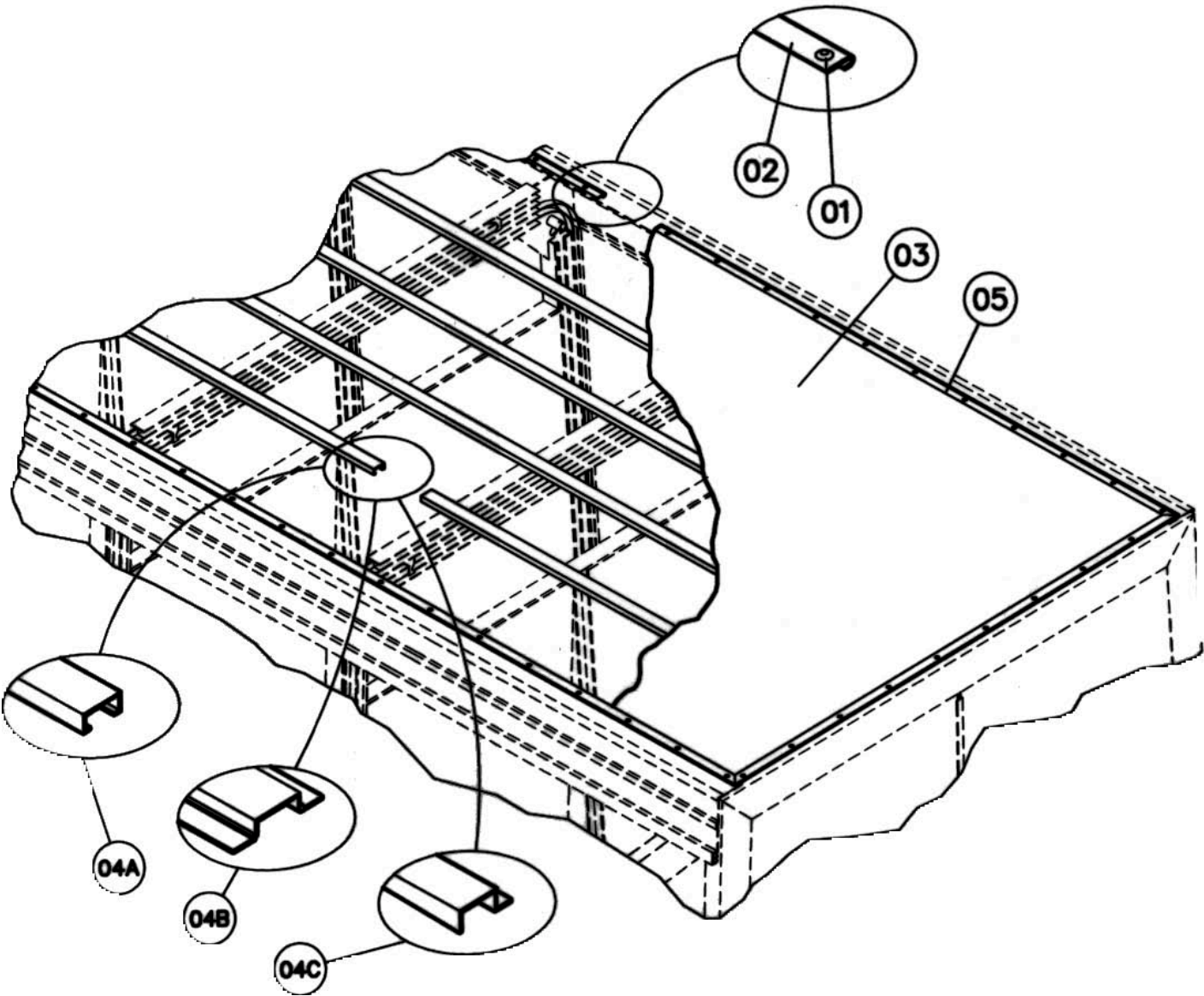


BODY REF NO	ITEM ID	ITEM DESCRIPTION	EQUIVALENT SUPPLIER INFO
<b>B.04.00</b>	<b>0</b>	<b>LIGHT BOX</b>	
B.04.01	300319	EXTR, LT BOX CHNL	
B.04.01	300319-96	EXTR, LT BOX CHNL X 96	
B.04.01A	300144	EXTR, BALL CHNL 2-3/4	
B.04.01A	300144-96	EXTR, BALL CHNL 2-3/4 X 96	
B.04.02	69534-1	LICENSE PLT HOLDER, RECESSED, KIT	
B.04.02	69534	LICENSE PLT HOLDER, PLASTIC	
B.04.02A	54740	PLATE, AL, 1/8 X 9-1/2 X 16	
B.04.03	57172	SCREW, #10-32 X 3/4 SS PH TEK	
B.04.04	63925	SCREW, #10-32 X 3/4 TR HD PH	
B.04.05	63901	NUT, INSERT (FURNISHED W/PLASTIC HOLDER)	MICRO-PLASTICS 60SGN01010
B.04.06A	57097	LIGHT, LICENSE PLT	PM 439
B.04.06B	70414	LIGHT, LICENSE PLT, RECESSED	GROTE 60261-3
B.04.06C	70415	LIGHT GROMMET, LICENSE PLT, RECESSED	GROTE 92520
B.04.07	37188	LIGHT BOX PNL	
B.04.07	68710	LIGHT BOX PNL 12-IN. HIGH	
B.04.07	51063	LIGHT BOX PNL 23-IN. HIGH	



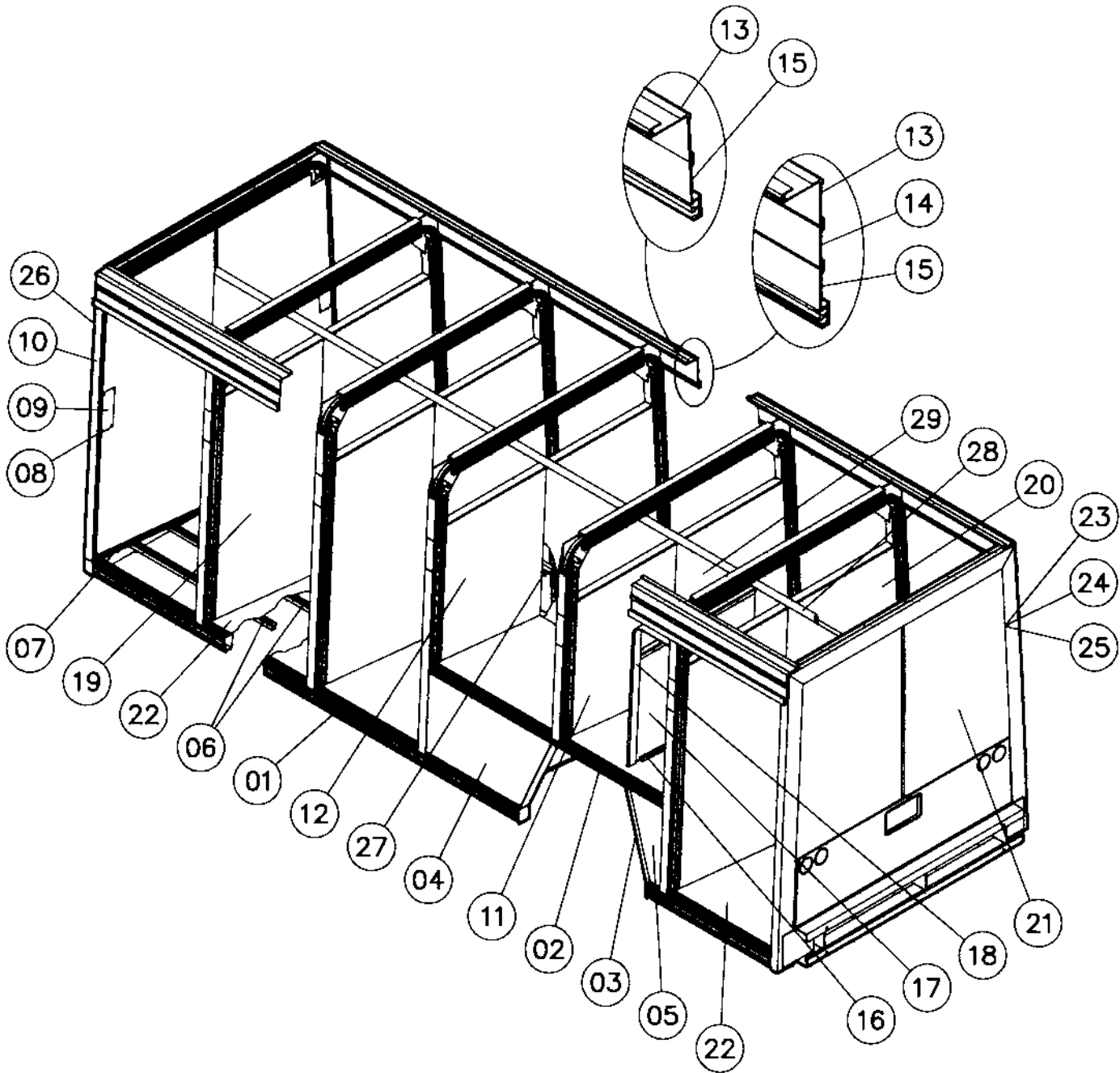
THIS PAGE INTENTIONALLY BLANK

# Roof (B.05.00)



BODY REF NO	ITEM ID	ITEM DESCRIPTION	EQUIVALENT SUPPLIER INFO
B.05.00	0	ROOF	
B.05.01	64815	RIVET, 3/16 HUCK MAGNA-LOC	HUCK MGLT B6-E
B.05.02	300186	EXTR, ROOF CAP	
B.05.03	48113	COIL, AL SHT, .040 X 103 H16	
B.05.03	66857	COIL, AL SHT, .040 X 85-3/16 H16	
B.05.05	300143	EXTR, ROOF SUPT & A-FRM STIFFENER	
B.05.05	300210	EXTR, ROOF SUPT, WING CHNL, B/H FLG	

# Structure Detail (B.06.00)



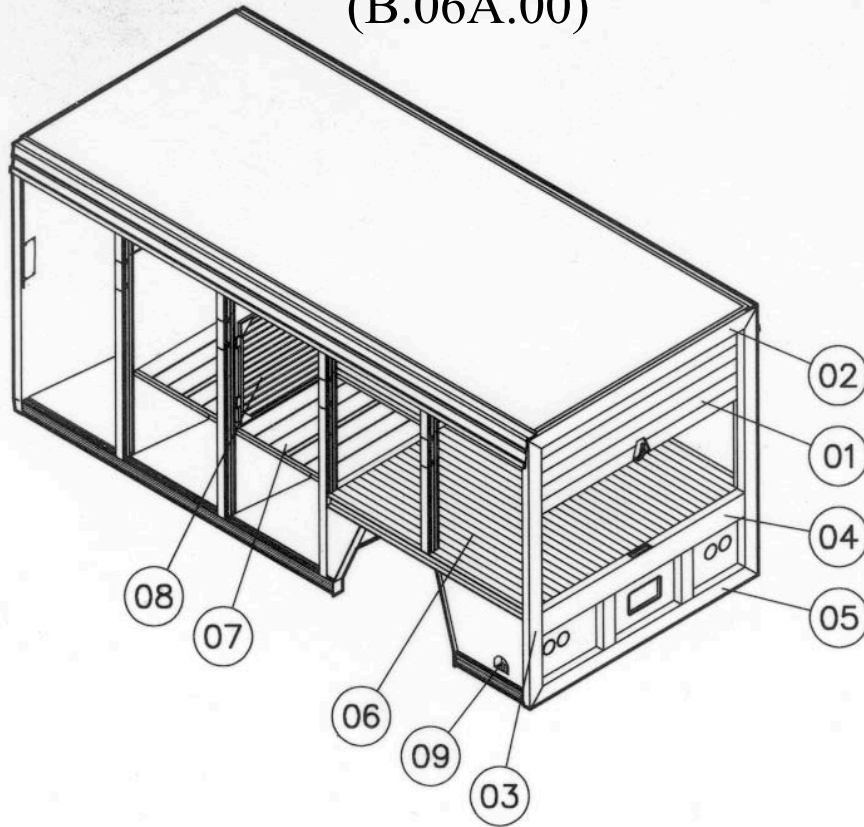
**AFTERMARKET PARTS DESCRIPTION**  
**(Structure Detail Page 1 of 2)**

BODY REF NO	ITEM ID	ITEM DESCRIPTION	EQUIVALENT SUPPLIER INFO
<b>B.06.00</b>	<b>0</b>	<b>STRUCTURE DETAIL</b>	
B.06.01	300301	EXTR, RUB RAIL LO-BAY PB (OS)	
B.06.01	300311	EXTR, RUB RAIL LO-BAY ('87)	
B.06.01	300456	EXTR, RUB RAIL LO-BAY	
B.06.02	300312	EXTR, RUB RAIL W/H ('87)	
B.06.02	300462	EXTR, RUB RAIL W/H	
B.06.03	68984	BAR, AL, 1/4 X 4 X 29-5/8 (6061 T6) FORMED FENDER W/H (300461-30)	
B.06.04	55252	FAIRING, AL, 1/4 X 21-1/16 H34 W/H, FR	
B.06.04	69117	FAIRING, AL, 1/4 X 47-5/16 H34 W/H, FR	
B.06.05	68982	FAIRING, AL, 1/4 X 13-9/16 H34 W/H, RR	
B.06.06	300140-72	ANGLE, AL, 1/4 X 1-1/2 X 1-1/2 X 72	
B.06.06	300180-96	EXTR, FLR SUPT X 96	
B.06.07	300118-48	ANGLE, AL, 3/16 X 1 X 1 X 48	
B.06.08	62549	LOCK COVER PLT, INR	
B.06.09	64815	RIVET, 3/16 HUCK MAGNA-LOC	HUCK MGLT B6-E
B.06.10	00000	SEE BULKHEAD SECTION B.01A.00 (FRONT)	
B.06.11	00000	SEE BULKHEAD SECTION B.01D.00 (INTERMEDIATE HI-BAY)	
B.06.12	00000	SEE BULKHEAD SECTION B.01C.00 (W/H BAY)	
B.06.13	300182	EXTR, ROOF RAIL UPR (OS)	
B.06.13	300342	EXTR, ROOF RAIL UPR ('87)	
B.06.13	300458	EXTR, ROOF RAIL UPR	
B.06.14	300183	EXTR, ROOF RAIL CTR 5-3/4-IN. (OS)	
B.06.14	300185	EXTR, ROOF RAIL CTR 2-IN. (OS)	
B.06.14	300361	EXTR, ROOF RAIL CTR 4-IN. ('87)	
B.06.14	300460	EXTR, ROOF RAIL CTR 4-IN.	
B.06.15	300184	EXTR, ROOF RAIL LWR (OS)	
B.06.15	300230	EXTR, ROOF RAIL LWR 4-IN. (OS)	
B.06.15	300316	EXTR, ROOF RAIL LWR ('87)	
B.06.15	300467	EXTR, ROOF RAIL LWR	
B.06.16	300118-48	ANGLE, AL, 3/16 X 1 X 1 X 48	
B.06.17	47814	SHT, AL, .125 X 39-3/4 X 66-3/8 H38 PARTITION	
B.06.18	300329-96	EXTR, PARTITION X 96	
B.06.19	00000	SEE BULKHEAD SECTION B.01B.00 (INTERMEDIATE BAY)	
B.06.20	00000	SEE BULKHEAD SECTION B.01C.00 (W/H BAY)	
B.06.21	00000	SEE BULKHEAD SECTION T.01E.00 (REAR)	
B.06.22	47812	SHT, AL, .125 X 39-3/4 X 42-3/4 H38	
B.06.22	47830	SHT, AL, .125 X 44-3/4 X 43-7/8 H38	
B.06.22	47831	SHT, AL, .125 X 44-3/4 X 66-3/8 H38	

**AFTERMARKET PARTS DESCRIPTION**  
**(Structure Detail Page 2 of 2)**

BODY REF NO	ITEM ID	ITEM DESCRIPTION	EQUIVALENT SUPPLIER INFO
B.06.23	64598	MOLDING, AL EXTR X 192	ARROW 500300
B.06.24A	64600	MOLDING, VINYL INSERT, WHITE	ARROW 500184
B.06.25	64815	RIVET, 3/16 HUCK MAGNA-LOC	HUCK MGLT B6-E
B.06.26	54315	PLUG, 3"	HEYCO HUNKY
B.06.27	300140-72	ANGLE, AL, 1/4 X 1-1/2 X 1-1/2 X 72	
B.06.27	300141-72	ANGLE, AL, 1/4 X 1-1/2 X 2 X 72	
B.06.28	300166-71	BAR, AL, 3/8 X 4 X 71	
B.06.28	300313-72	EXTR, A-FRM PB UPR X 72	
B.06.29	47856	SHT, AL, .100 X 39-3/4 X 70-3/16 H34	
B.06.29	47891	SHT, AL, .100 X 44-3/4 X 70-3/16 H34 B/H RR	
B.06.29	47911	SHT, AL, .100 X 51-3/4 X 85-11/16 H34	

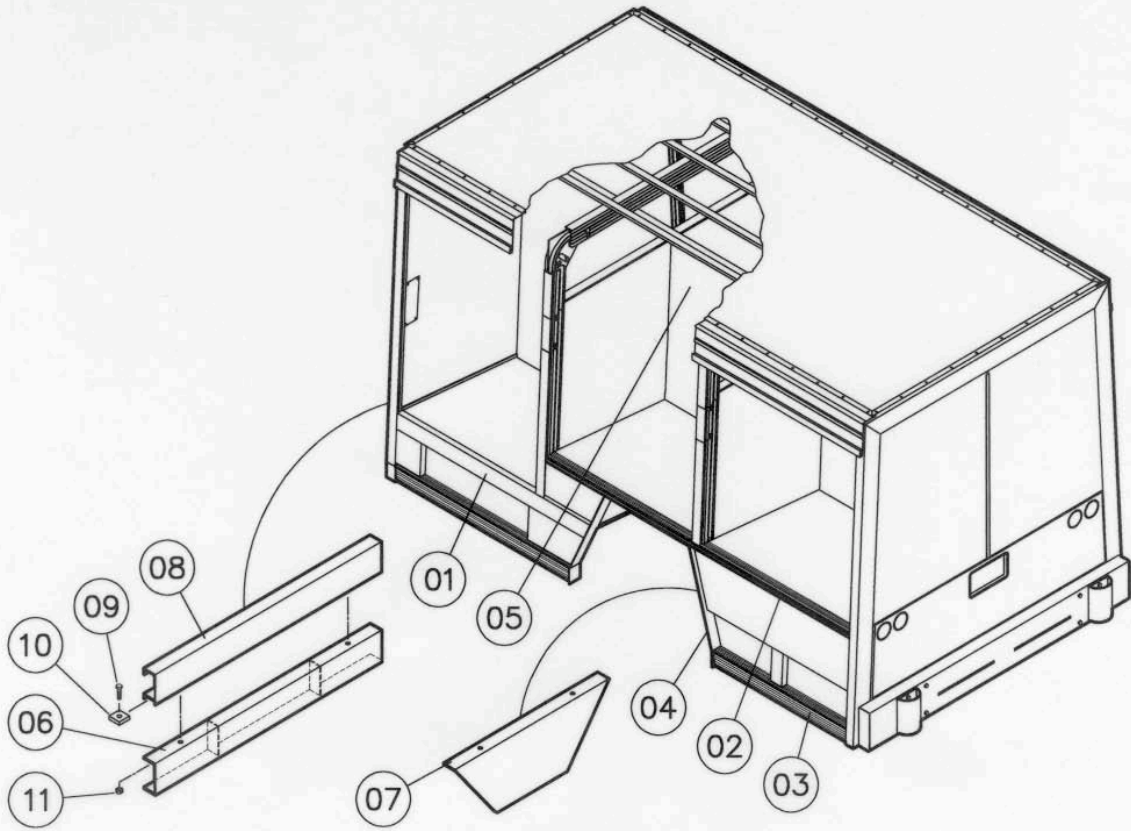
# Structure, Convertible (B.06A.00)



BODY REF NO	ITEM ID	ITEM DESCRIPTION	EQUIVALENT SUPPLIER INFO
<b>B.06A.00</b>	<b>0</b>	<b>STRUCTURE, CONVERTIBLE</b>	
B.06A.01		DOOR ASSY REAR	WHITING
B.06A.01		DOOR ASSY REAR	TODCO
B.06A.02	300155-120	CHNL, AL, 3 X .170 WEB X 1.43# X 120	
B.06A.02	300158	CHNL, AL, 6 X .314 WEB X 3.63#	
B.06A.02	300158-100	CHNL, AL, 6 X .314 WEB X 3.63# X 100	
B.06A.02	300159-150	CHNL, AL, 5 X .472 WEB X 3.97# X 150	
B.06A.02	300447-144	CHNL, AL, 8 X .25 WEB X 4.63# X 144	
B.06A.03	300266-100	CHNL, AL, 6 X .170 WEB X 2.83# X 100	
B.06A.04	300158	CHNL, AL, 6 X .314 WEB X 3.63#	
B.06A.04	300158-100	CHNL, AL, 6 X .314 WEB X 3.63# X 100	
B.06A.04	300161-100	CHNL, AL, 9 X .447 WEB X 7.1# X 100	
B.06A.05	300158	CHNL, AL, 6 X .314 WEB X 3.63#	
B.06A.05	300158-100	CHNL, AL, 6 X .314 WEB X 3.63# X 100	
B.06A.05	300443-102	TBG, AL, 5-1/2 X 2-3/4 X 102 CONV FLR SUPT,	
B.06A.06	67051-1-77	FLOOR, WOOD 1-1/8 X 5 X 77	KERUING
B.06A.06	67051-2-65-04	FLOOR, WOOD 1-1/8 X 7 X 65-1/4	KERUING
B.06A.06	67051-2-77	FLOOR, WOOD 1-1/8 X 7 X 77	KERUING
B.06A.07	67048	BAY DIVIDER (SEE SECTION X.11C.00)	
B.06A.08	66993	PARTITION ASSY SWING S/S (SEE SECTION X.11D.00)	
B.06A.08	66993-1	PARTITION ASSY SWING C/S (SEE SECTION X.11D.00)	
B.06A.09	69690	STEP, CAST ALUMINUM	CAST PRODUCTS INC. C11301
B.06A.10	00000	SEE BULKHEAD SECTION B.01F.00 (CONVERTIBLE)	



# Structure, Hotshot Body (B.06B.00)



BODY REF NO	ITEM ID	ITEM DESCRIPTION	EQUIVALENT SUPPLIER INFO
<b>B.06B.00</b>	<b>0</b>	<b>STRUCTURE, HOTSHOT BODY</b>	
B.06B.01	300456	EXTR, RUB RAIL LO-BAY	
B.06B.02	300462	EXTR, RUB RAIL W/H	
B.06B.03	300141	ANGLE, AL, 1/4 X 1-1/2 X 2	
B.06B.04	300461	BAR, AL, 1/4 X 4	
B.06B.05	300126	TBG, AL, 1 X 1 X 1/8	
B.06B.06	62822	MTG CHNL ASSY, STL, HOTSHOT	
B.06B.06A	52179	MTG CHNL, STL, 1/4 X 10-1/4 X 42 HOTSHOT	
B.06B.06B		GUSSET, STL	
B.06B.07	33506	MOUNT, B/H, STL, 1/4 X 21 X 44 HOTSHOT	
B.06B.08	300328-92	EXTR, MTG CHNL X 92	
B.06B.10	00005	PLATE, STL, REINF	
B.06B.11		NUT, 5/8-11 HEX	