

BROCHURE

RACK SOLUTIONS

Tree Nursery - Horticulture - Garden Centre - Vertical Green



**FLOOR VAN
SCHAIK**
RACK SOLUTIONS

floorvanschaik.nl

Custom-made Wire Racks

Nursery Name _____ Date _____

Instructions for drawing up a quotation for custom-made wire racks:

A. Pot details

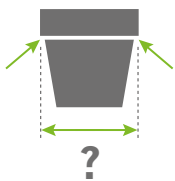
1. What size is the pot?



_____ litre

Pot brand and type _____

2. What is the diameter of the pot, measured just **beneath** the rim?



_____ mm

3. How tall are the pots, measured up to just **beneath** the rim?



_____ mm

4. Do you want a space under the pot?

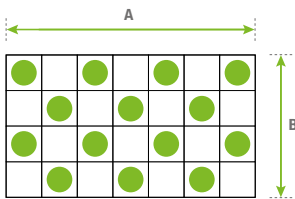
no

yes _____ mm

_____ kg weight/pot

B. Plant distribution options (tick what is applicable)

1. Checkerboard division



A = length : ± _____ mm

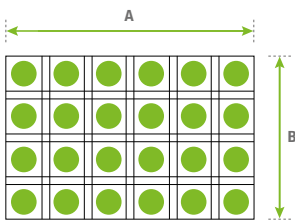
B = width : ± _____ mm

or:

A = length : _____ holes

B = width : _____ holes

2. All plants as close to each other as possible



A = length : ± _____ mm

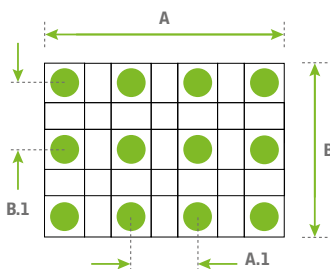
B = width : ± _____ mm

or:

A = length : _____ pots

B = width : _____ pots

3. Plants with space between the pots



A.1 = plant spacing

centre-to-centre : ± _____ mm

B.1 = plant spacing

centre-to-centre : ± _____ mm

A = length : ± _____ mm

B = width : ± _____ mm

or:

A = length : _____ pots

B = width : _____ pots

C. Will you use a forklift for lifting up the racks?

yes no

5a. How many wire racks do you require?

_____ pc. racks

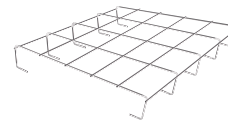
or:

5b. For how many plants?

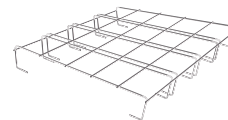
_____ pc. plants

DESIGN

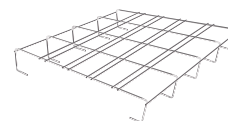
1. Standard Mesh



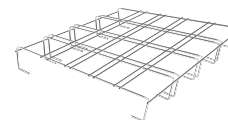
2. Spacer Mesh in the width



3. Spacer Mesh in the length



4. Full Spacer Mesh



V-footRack

Container frames with standard mesh

FR Grillages avec répartition égale
 DU Container Gitter mit gleichmäßiger Einteilung
 NL Container rekken met gelijke maasverdeling
 NO Potte-gitter med standard nett



standard mesh



standard mesh

Container frames with spacer mesh

FR Grillages avec intervalles
 DU Container Gitter mit zwischen räume
 NL Container rekken met tussen mazen
 NO Potte-gitter med mellomrom



spacer mesh



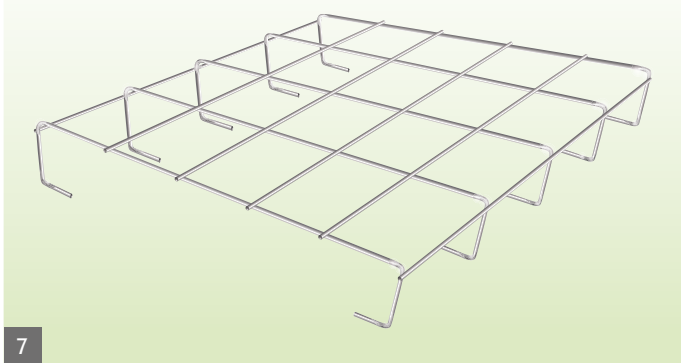
spacer mesh

Delivery from stock

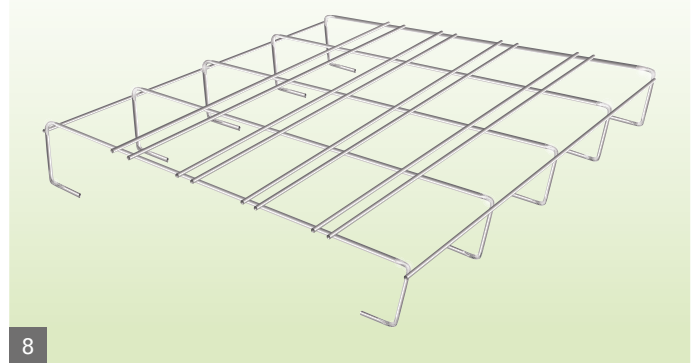
3L	7 x 5 = 35 cells	17 pots	1,19 x 0,85 m	with standard mesh	max. 150 st. / pallet
4L	6 x 5 = 30 cells	15 pots	1,13 x 0,94 m	with standard mesh	max. 150 st. / pallet
5L	6 x 5 = 30 cells	15 pots	1,23 x 1,02 m	with standard mesh	max. 150 st. / pallet
7,5L	5 x 4 = 20 cells	10 pots	1,17 x 0,93 m	with standard mesh	max. 150 st. / pallet
10L	5 x 4 = 20 cells	10 pots	1,29 x 1,03 m	with standard mesh	max. 150 st. / pallet
12-15L	3 x 3 = 9 cells	9 pots	1,13 x 1,03 m	with full spacer mesh	max. 150 st. / pallet



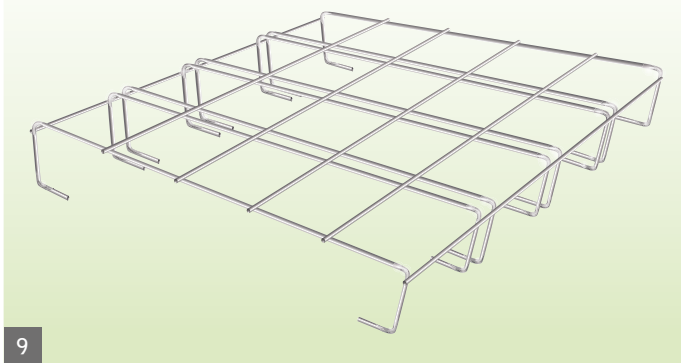
1 - Standard mesh



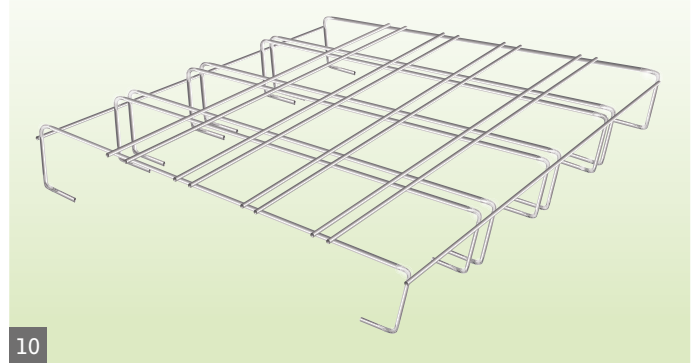
3 - Spacer mesh in the length



2 - Spacer mesh in the width



4 - Full spacer mesh



OriginalRack

Container frames with standard mesh

- FR Grillages avec répartition égale
- DU Container Gitter mit gleichmäßiger Einteilung
- NL Container rekken met gelijke maasverdeling
- NO Potte-gitter med standard nett



Container frames with spacer mesh

- FR Grillages avec intervalles
- DU Container Gitter mit zwischen räume
- NL Container rekken met tussen mazen
- NO Potte-gitter med mellomrom



Tree Nursery

More custom made

FR Pépinière

DU Baumschule

NL Boomkwekerij

NO Plantegitter



Tree Nursery

Designed for internal transport systems

- FR Utilisable ou adaptable à vos chariots élévateurs
- DU Für den innerbetrieblichen Transport entworfen
- NL Intern transport met de heftruck
- NO Designet for intern-transport



OneplantRack

Large containers are easily placed and secured

FR Les gros pots sont facilement placés et fixes

DU Auch die großen Töpfe sind einfach und flexibel hin zu stellen

NL Ook grote potten zijn volledig flexibel en eenvoudig plaatsbaar

NO Større potter plasseres enkelt og trygt

Delivery from stock

2L	per 10 pieces
3L	per 10 pieces
4L	per 10 pieces
5L	per 10 pieces
7,5L	per 10 pieces
10L	per 10 pieces
12L	per 10 pieces
15L	per 10 pieces
20L	per 10 pieces



22



23



24

AirpruneRack

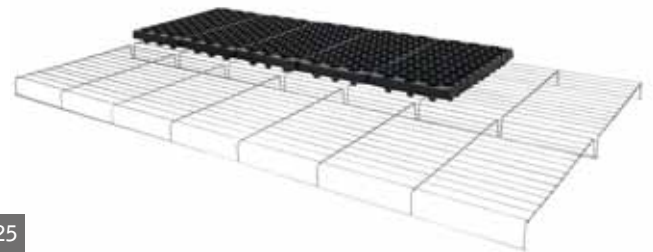
Air pruning for tray propagation

FR Taille des racines aériennes pour culture en tray

DU Luftwurzelschnitt bei Tray-stek Kulturen

NL Luchtwortelsnoei bij traystekteelt

NO Luftbeskjæring for brettkultur



25



26



27



28



29



30

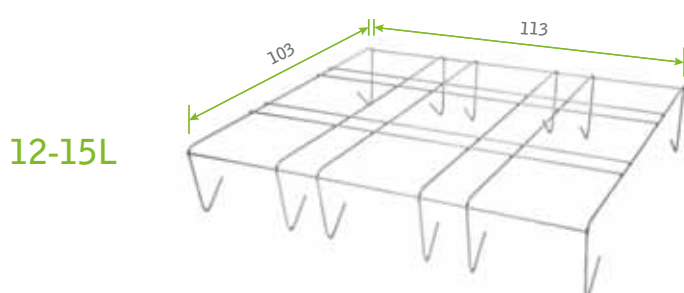
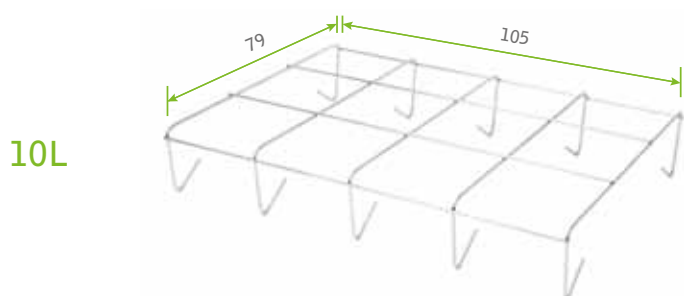
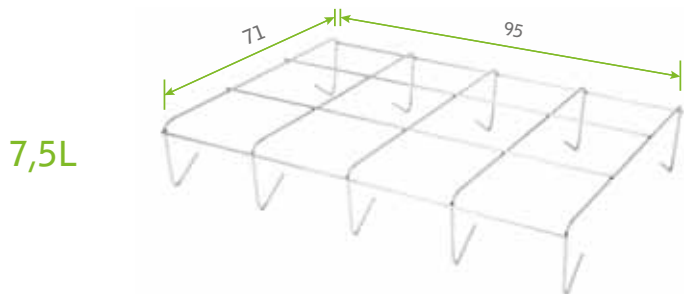
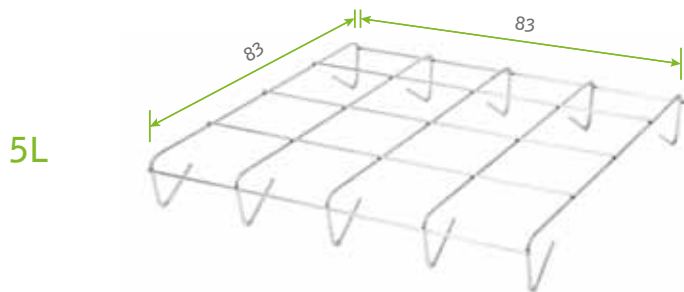
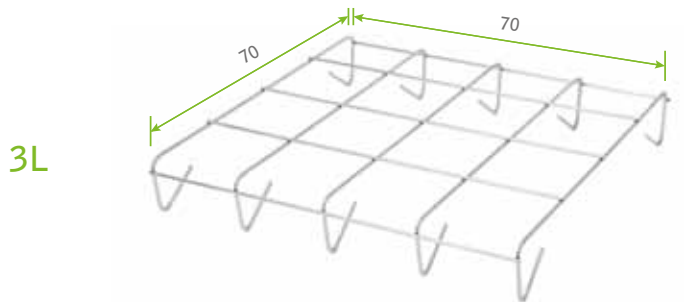


31

VFR Garden Centre

Usable at floor

Standard from stock



Tree&stamRack



Movable wire rack for trees and stem-crops

Standard from stock

	Large
LxWxH	202 x 68 x 150 cm



38

Large



39

Large

	Medium
LxWxH	160 x 68 x 103 cm



40

Transport position



41

Including side-support



42

Medium



43

Including side-support

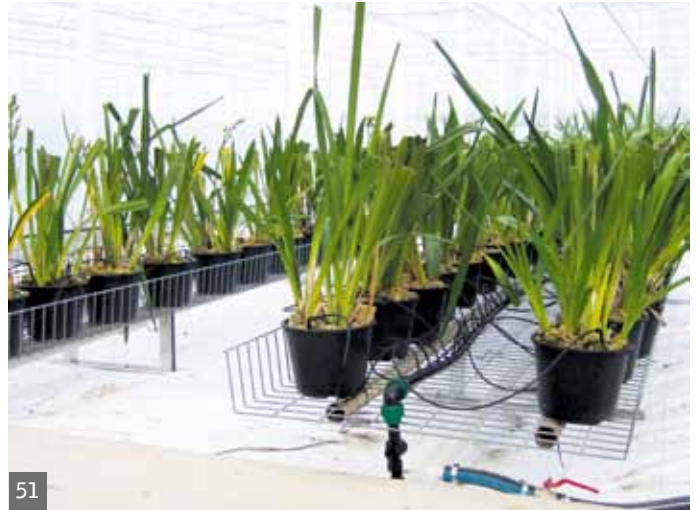
Horticulture

Custom made solutions





50



51



52



53



54

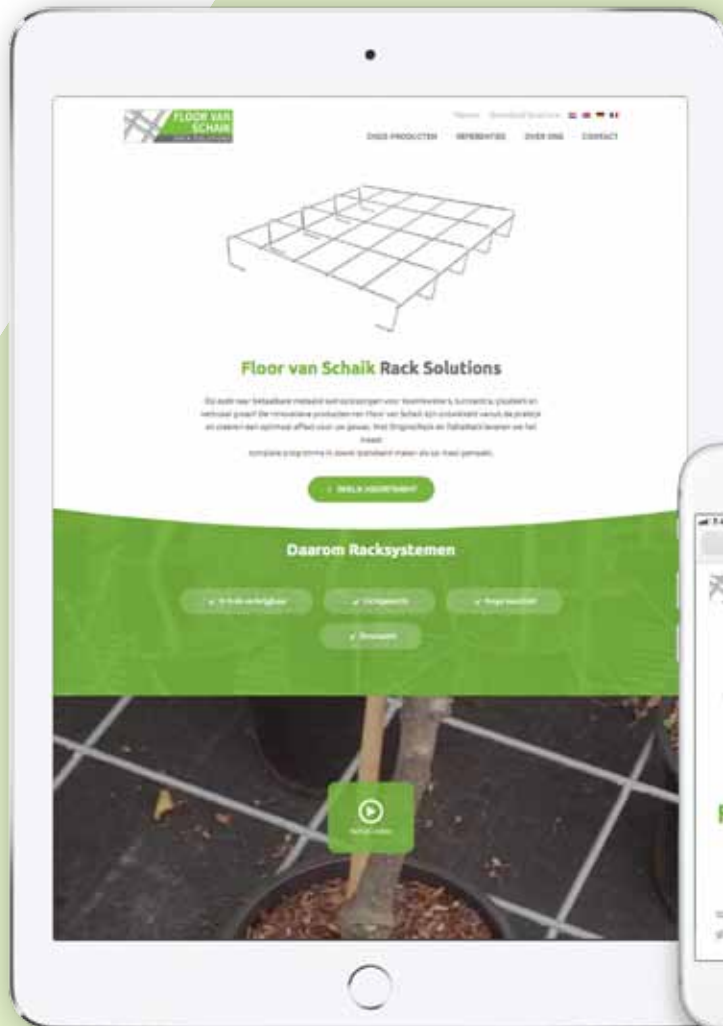


55



FLOOR VAN SCHAIK

RACK SOLUTIONS



Floor van Schaik Rack Solutions
Kryptonstraat 45
6718 WR Ede
The Netherlands
T: +31(0)318 200 400
info@floorvanschaik.nl

floorvanschaik.nl