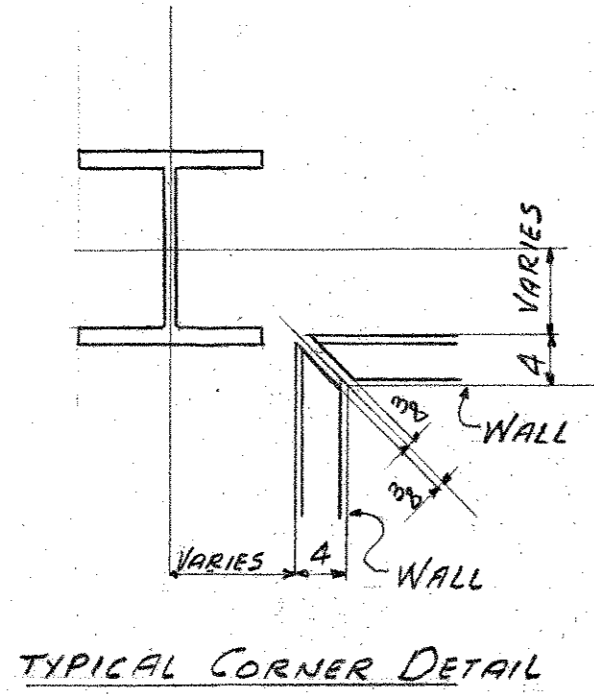
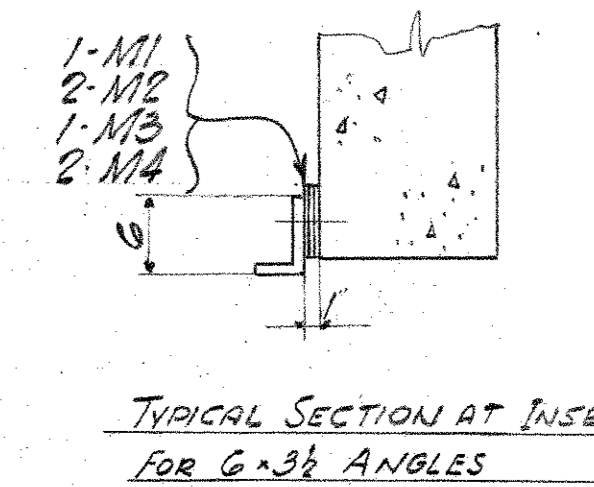
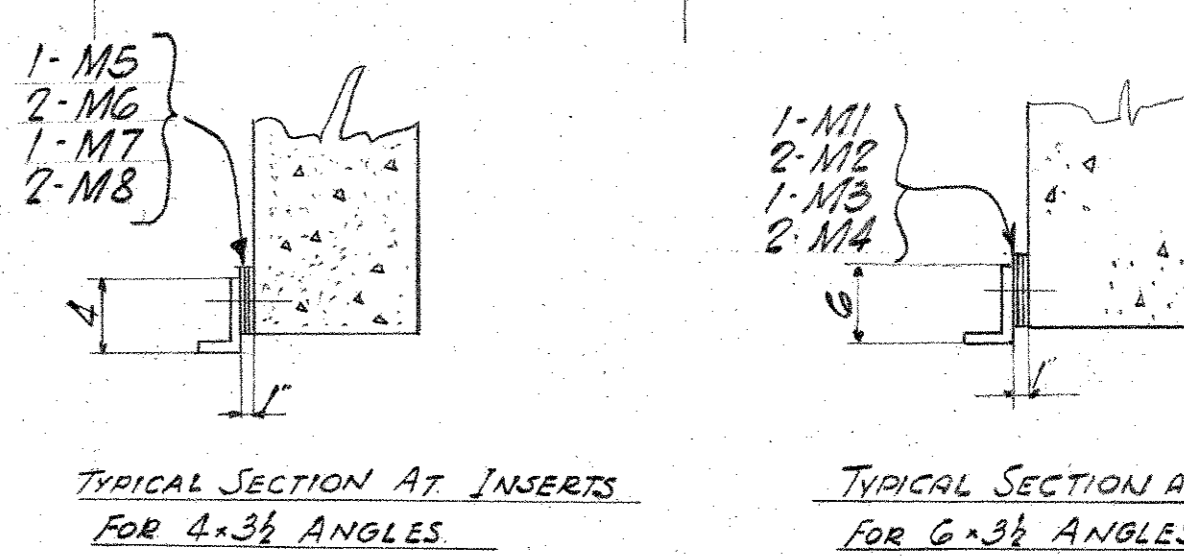
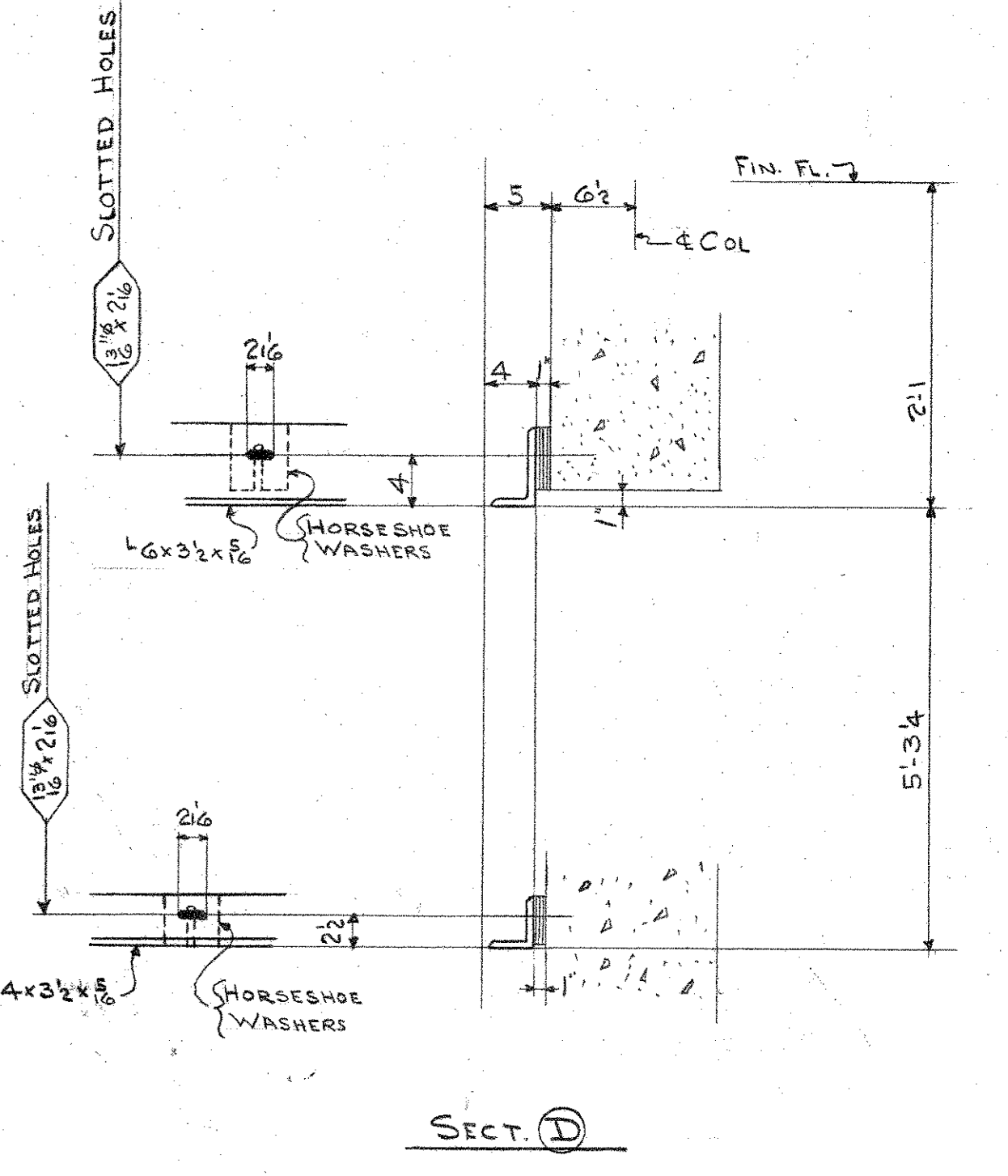
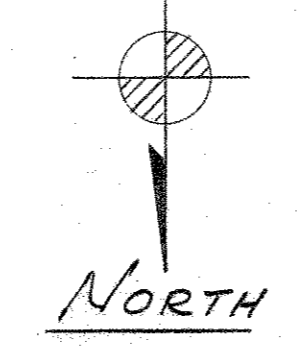


SUMMARY OF LOOSE PIECES		
MARK	DESCRIPTION	REMARKS
L1 ONE	2 1/2" x 2 1/2" x 5'7"	LINTEL



GROUND FLOOR PLAN SHOWING SPANDREL LINTELS OVER BASEMENT WINDOWS
 SUFFIX MARK (C)
 (FIN. FL. ELEV. +1000'6")



FOR GENERAL NOTES SEE E2 CP3193

GROUND FLOOR PLAN (N. VIEW)
 STRUCT GERRY MEMORIAL HOSPITAL
 ATLANTA, GA
 CUST ROBERT S. MCKEE GENERAL CONT., INC.
 BETHLEHEM STEEL COMPANY
 FABRICATED STEEL CONSTRUCTION
 DETAILMENT STARTING FROM DETAILING WORKS
 IN CHARGE DOWN. MADE BY HBR 4/16/64
 CHECKED BY JWP 5/5/64
 REVISED

CONTRACT CP3193-XI SHEET E1