



The Audi A3 and S3 range

Pricing and Specification Guide

Valid from April 2012

Personalising your Audi A3

This guide has been designed to help you tailor and price your Audi A3 quickly and logically. At the back, you will find information on CO2 emissions-based taxation and the other services offered by Audi, including Finance and Insurance. You can also configure your Audi A3 online at audi.co.uk.

You might also like to consider Audi Complete: a simple way to take care of servicing and maintenance costs for your Audi in a single package. You pay a one-off or monthly fee and we'll cover all your servicing, maintenance and tyres for the next three years including your first MOT and a full 5-year warranty. It means you only have to pay for fuel, insurance and your Road Fund Licence. So you can be reassured that your car will be maintained by trained Audi Technicians, using genuine Audi parts.

Audi Complete™

The Audi A3

| | |
|--------------|----|
| Efficiency | 8 |
| Engines | 10 |
| Transmission | 11 |
| quattro® | 12 |

Model details and prices

| | |
|----------------------------------|----|
| Standard model equipment | 14 |
| Technik model equipment | 15 |
| SE model equipment | 15 |
| Sport model equipment | 16 |
| S line model equipment | 17 |
| Black Edition model equipment | 18 |
| S3 model equipment | 20 |
| S3 Black Edition model equipment | 21 |
| Model prices | 22 |

| | |
|-----------------------|----|
| Audi exclusive | 26 |
|-----------------------|----|

Colour and upholstery

| | |
|-----------------------|----|
| Paint | 30 |
| Upholstery | 32 |
| Colour and trim guide | 36 |
| Inlays | 40 |

Options

| | |
|------------------------------|----|
| Wheels, tyres and suspension | 42 |
| Packages | 44 |
| Audio and communication | 46 |
| Interior equipment | 50 |
| Seats | 54 |
| Exterior equipment | 55 |
| Safety and security | 56 |
| Steering wheels | 57 |
| Audi Complete and warranty | 58 |
| Merchandise | 59 |
| Accessories | 60 |

Technical details

| | |
|------------------------|----|
| Technical data | 61 |
| Dimensions | 67 |
| Additional information | 71 |
| Pricing information | 73 |





Vorsprung durch Technik

Three words that express the very essence of Audi. Vorsprung durch Technik isn't a slogan. It's our way of seeing the world. It is the driving force behind our history of innovation that continues into the 21st century. Indeed, many technologies that Audi pioneered remain in our cars today. Some are milestones in the history of the motorcar.

From our beginnings in 1899, to the Auto Union team's Grand Prix successes in the 1930s and our more recent wins at Le Mans, we have always been at the forefront of the motor industry.

Vorsprung durch Technik makes us who we are. To see more of its influence, just read on.

The Audi A3: Vorsprung durch Technik in its genes

With its innovative design and sophisticated technology, the Audi A3 is the perfect example of Vorsprung durch Technik. It's available with a choice of advanced petrol and diesel engines, from the turbocharged 1.4 TFSI® to the 2.0 TDI® quattro – all of which deliver exceptional efficiency and performance. And there's also a wide range of equipment and accessories to choose from, enabling you to arrive at a car that suits you completely.





Efficiency

At Audi, doing less is something we're trying to do more of. We're working to use less fuel, release less CO₂ and waste less energy. It's why we've incorporated a number of more efficient technologies into the Audi A3.

TDI® and FSI®

Inside the engine of the Audi A3 you'll find the same advanced fuel-injection technology that's driven us to win after win at Le Mans. With TDI® and FSI®, fuel is injected directly into the engine's chambers so that combustion is timed right down to the millisecond. As a result, waste is minimised and you get the most from every last drop of fuel.

Gear-change indicator

Small changes to your driving style can have a big impact on your fuel economy. The gear-change indicator in the Audi A3 is there to indicate the optimum gear to use for any given speed, encouraging early upshifts to ensure you don't burn more fuel than is necessary.

Aerodynamics

A car's shape is one of the most important factors that influences its efficiency. It's why we've worked to make the Audi A3 as aerodynamic as possible.





Recuperation

When a vehicle brakes, the discs convert the kinetic energy into thermal energy, which is wasted as it cannot be used. With a recuperation system, like the one in the Audi A3 1.4 TFSI® with Start-Stop, the kinetic energy is converted into useful electrical energy. The way it works is simple.

While the car is coasting or braking, the alternator voltage is raised above the level of the basic electrical system, which enables the alternator to generate electrical energy and store it temporarily in the battery. When the vehicle accelerates, this energy is used to relieve the load on the alternator, resulting in a fuel saving of up to 3%.

Engines

Petrol

FSI® direct-injection technology is a unique Audi innovation that was originally developed for the Le Mans 24-hour endurance race to deliver more power and torque, as well as enhanced fuel efficiency. Precisely the right amount of fuel and air are injected into the combustion chambers, enabling the engine to 'breathe' more easily. It results in reduced heat loss and increased output, with around a 15% reduction in fuel consumption and significantly lower exhaust emissions. We've also developed TFSI®, with turbocharging – giving cars an extra injection of power.

Diesel

We introduced TDI® to the roads in 1989, marking a departure from the noisy, fuel-thirsty diesel engines of the past. And since then, we've continuously refined it, recently developing common-rail technology. Under this system, a series of piezo injectors use electrical charge to precisely control the amount of fuel injected into the engine. As well as reducing noise, this allows combustion to happen at a lower temperature, with less oxygen, which lowers emissions.





Transmission

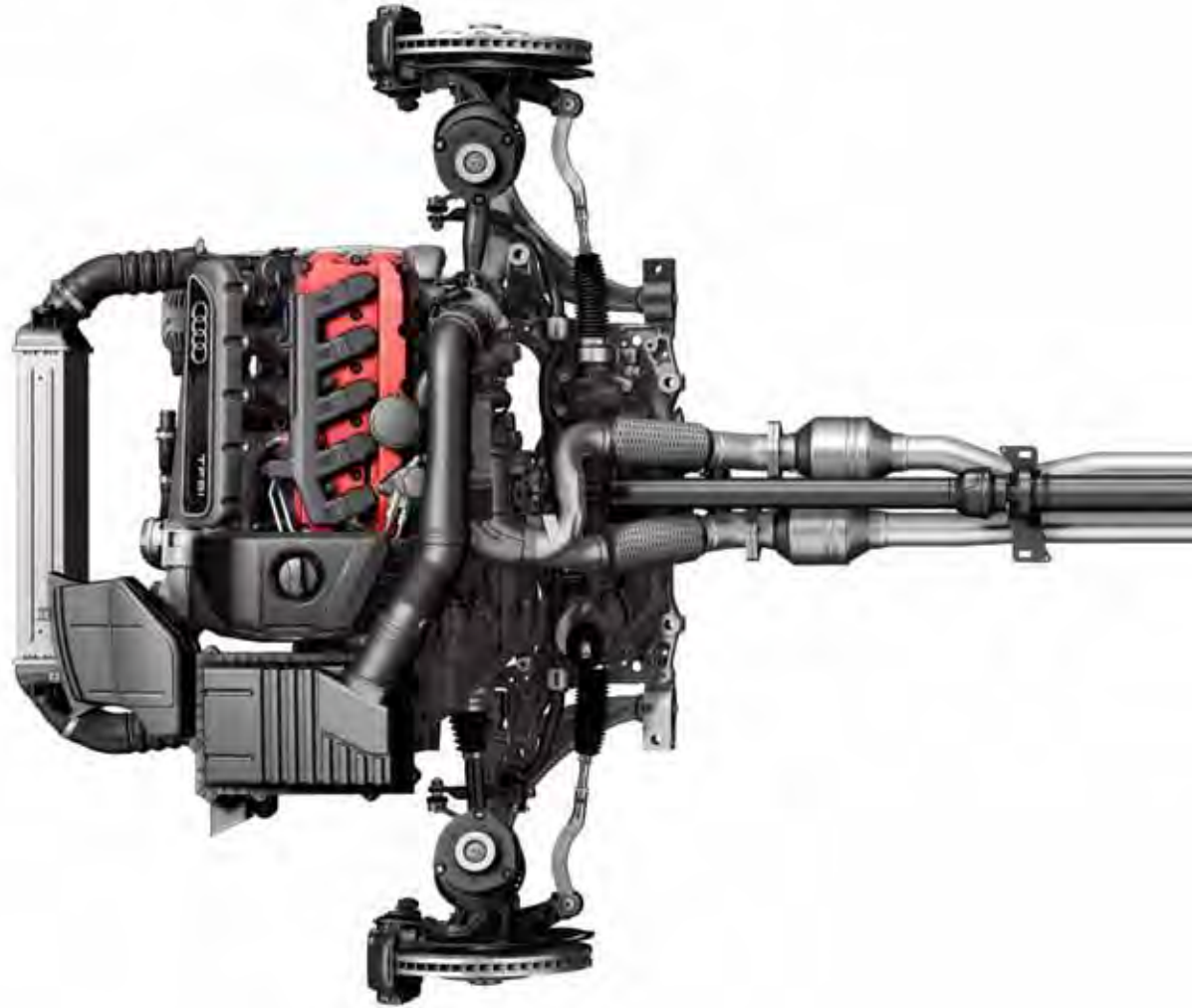
S tronic®

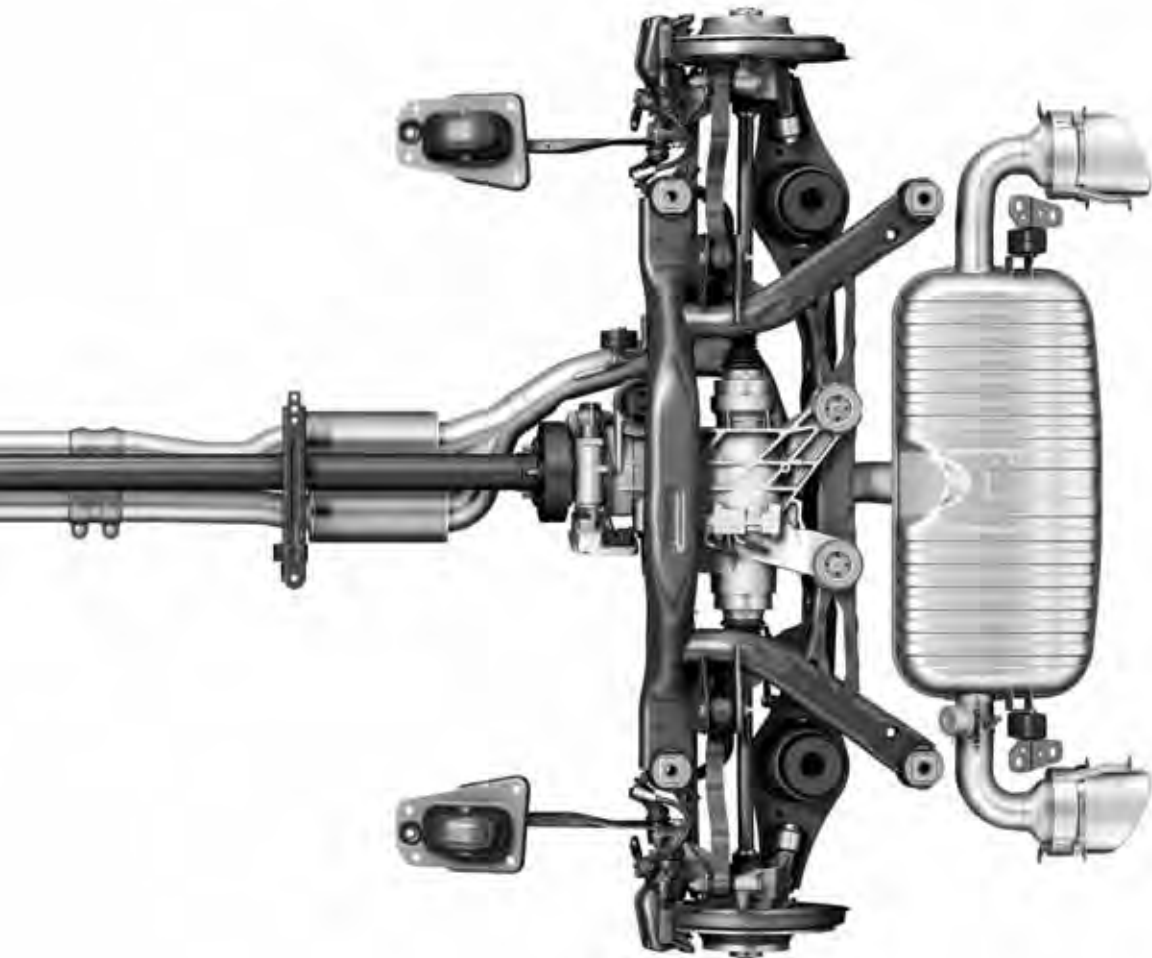
Driving is all about thinking ahead, which is just what the S tronic® dual-clutch transmission does. It works almost as two separate systems, one engaging the odd-numbered and the other the even-numbered gears. So when you're accelerating in second, it has third gear waiting for you. And once you make the switch, it's already thinking about fourth. With two clutches working together, you can change gears almost instantly while experiencing smooth, uninterrupted power.

quattro®

It's the technology that has given Audi the edge on the rally circuit ever since it was first introduced over 30 years ago – a technology that delivers ultimate control whilst enhancing the sporty characteristics which make the Audi A3 so thrilling to drive. It's called quattro® all-wheel-drive.

The principle is simple: in the same way that four brakes ensure better deceleration, four driven wheels deliver better acceleration and road-holding, pushing or pulling the car as needed, for a driving experience that's both dynamic and safe.





In the Audi A3, quattro® all-wheel-drive continuously distributes drive power between the front and rear axles depending on weather conditions, road surface and gradient, which increases flexibility for an enhanced, sportier drive.

Standard model equipment

All A3 models have the following items of standard equipment

Available on A3 Sportback only

Engine

Automatic Start-Stop function for greater fuel and CO₂ efficiency. Comprising;

- Recuperation for optimal energy utilisation
- Energy saving tips feature in Driver's Information System: including gear-shift indicator (if fitted)

(On all models excluding 1.6, 1.8 TFSI and 2.0 TFSI)

Wheels, tyres and suspension

16" x 6.5J '7-arm' design alloy wheels with 205/55 R16 tyres and locking wheel bolts

Tyre Mobility System (TMS)

Locking wheel bolts

Audio and communication

Chorus radio/single CD player with front speakers

Seats

Driver and front passenger seat manually adjustable

'Frequency' cloth upholstery

Seat belts – 3-point on all seats

Split-folding rear seats (1/3, 2/3 or all)

Safety and security

Audi backguard head restraints for front seats (adjustable)

Driver, front passenger and front side airbag system and Sideguard airbags

Electronic Stability Programme (ESP), including ABS, EBD, ASR and EDL

Halogen headlights

ISOFIX child seat preparation for front passenger seat (with airbag disabling feature) and rear seats

Rear fog light

Rear head restraints (adjustable)

Remote central locking

Servotronic (speed-dependent) power steering

Thatcham Category 1 alarm and immobiliser

Tool kit and car jack

Warning triangle

Exterior equipment

Body-coloured door mirrors with integrated indicators

Chrome trim on door handles

Electrically operated and heated door mirrors

Interior equipment

3-spoke leather steering wheel with gear-shift paddles (1.8 TFSI and 2.0 TDI S tronic models only)

4-spoke leather steering wheel

Dampered grab handles

Electric front and rear windows (Sportback only)

Front and rear floor mats

Granite, Umbra or Opal inlays and door trim (depending on upholstery colour – see page 40)

Heat-insulating glass

Heated rear windscreen

Manual air conditioning

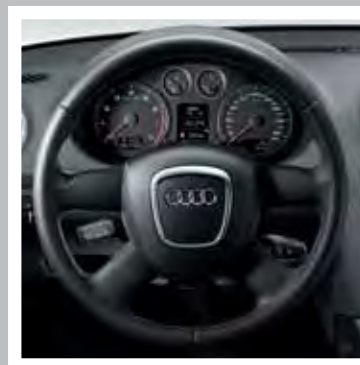
Manual headlight adjustment

Steering wheel adjustable for height and reach

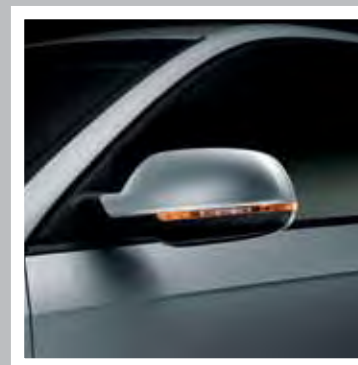
Washer fluid level indicator



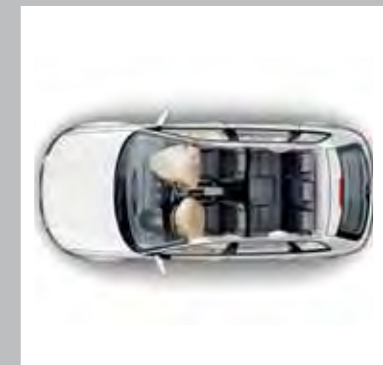
16" x 6.5J '7-arm' design alloy wheels



4-spoke leather steering wheel



Body-coloured door mirrors with integrated indicators



Driver, front passenger and front side airbag system

Technik model equipment

In addition to 1.6 Standard model equipment

Available on A3 Sportback only

1.6 petrol engine

Basic RRP
£250.00

Total RRP inc VAT
£300.00*

Wheels, tyres and suspension

17" x 7.5J '5-spoke' design alloy wheels with 225/45 R17 tyres

Audio and Communication

Concert radio with single front-loading CD player, MP3 file compatibility and active front and rear speakers. Includes AUX-IN socket in front-centre compartment

Mobile telephone preparation – Bluetooth interface
iPod connection

Interior equipment

4-spoke leather multi-function steering wheel

Driver's Information System with energy saving tips feature including gear-shift indicator



17" x 7.5J '5-spoke' design alloy wheels



iPod connection

SE model equipment

In addition to Standard model equipment

Wheels, tyres and suspension

16" x 6.5J '6-spoke' design alloy wheels with 205/55 R16 tyres

Exterior equipment

Front fog lights with chrome surrounds

Interior equipment

4-spoke leather multi-function steering wheel (with gear-shift paddles on S tronic models)

Front centre armrest

Driver's Information System with energy saving tips feature including gear-shift indicator

Electric front windows (3-door only)

Seats

Easy-entry front seats (3-door only)

Basic RRP
£554.17

Total RRP inc VAT
£665.00



16" x 6.5J '6-spoke' design alloy wheels



Driver's Information System

*Valid for new vehicle orders placed up to and including 30 September 2012. Offers are subject to availability.
RRP – Recommended Retail Price. VAT is calculated at 20% but this may alter to reflect any change in the applicable VAT rate.

RRP – Recommended Retail Price. VAT is calculated at 20% but this may alter to reflect any change in the applicable VAT rate.

Sport model equipment

In addition to SE model equipment

1.4 TFSI, 1.6 TDI, 1.8 TFSI,
2.0 TFSI, 2.0 TDI 140PS
and 2.0 TDI 170PS

Basic RRP

No charge

Total RRP inc VAT

No charge*

All other models

Basic RRP

£1,020.83

Total RRP inc VAT

£1,225.00

Wheels, tyres and suspension

17" x 7.5J '5-arm kinetic' design alloy wheels with 225/45 R17 tyres

Sports suspension (lowered by 15mm)

Audio and communication

Concert radio with single front-loading CD player, MP3 file compatibility and active front and rear speakers. Includes AUX-IN socket in front-centre compartment

Seats

'Dynamic' cloth upholstery

Front Sports seats

Interior equipment

3-spoke leather Sports multi-function steering wheel (with gear-shift paddles on S tronic models)

Aluminium medial inlays and door trims

Door sills with aluminium inlays

Dual-zone electronic climate control

Sun-blind in rear parcel shelf



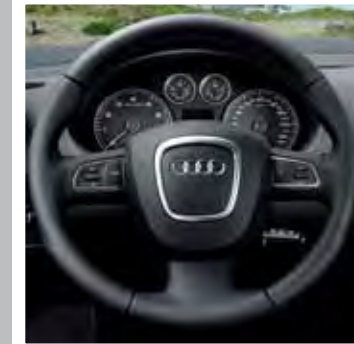
17" x 7.5J '5-arm kinetic' design alloy wheels



Front Sports seats



Dual-zone electronic climate control



3-spoke leather Sports multi-function steering wheel

S line model equipment

In addition to Sport model equipment

Basic RRP
£1,320.83

Total RRP inc VAT
£1,585.00

Wheels, tyres and suspension

18" x 7.5J '7-twin-spoke' design alloy wheels with 225/40 R18 tyres
S line suspension (10mm lower than Sport)

Seats

Black Sprint cloth/leather upholstery with embossed S line logo

Exterior equipment

S line body styling, comprising front bumper with enhanced fins and rear bumper with platinum grey diffuser insert
S line badges on front wings
Chrome-trimmed exhaust tailpipes

Interior equipment

3-spoke leather S line multi-function steering wheel (with gear-shift paddles on S tronic models)
Matt-brushed aluminium inlays and door trims
Door sills with aluminium inlays and S line lettering
Black leather-trimmed handbrake grip
Black perforated leather-trimmed gear knob
Black headlining
Floor mats with black or silver stitching (dependent on upholstery chosen)



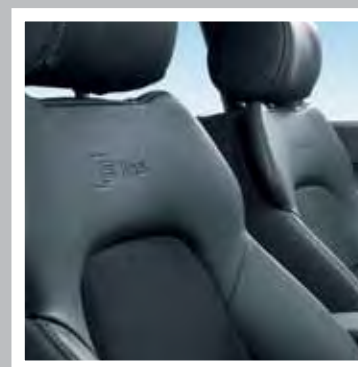
18" x 7.5J '7-twin-spoke' design alloy wheels



3-spoke leather S line multi-function steering wheel and Matt-brushed aluminium door trim



Door sills with aluminium inlays and S line lettering



Black Sprint cloth/leather upholstery with embossed S line logo

Black Edition model equipment

In addition to S line model equipment

Available on A3 Sportback only

1.8 TFSI, 2.0 TFSI, 2.0 TDI 140PS and 2.0 TDI 170PS

Basic RRP
£916.67

Total RRP inc VAT
£1,100.00*

Wheels, tyres and suspension

18" x 7.5J '5-arm rotor' design titanium finish alloy wheels with 225/40 R18 tyres

Audio and communication

BOSE® premium sound system with 8 high-performance loudspeakers, 6-channel amplifier, total output of 195 Watts with specially tuned acoustics

Mobile telephone preparation – Bluetooth interface

Interior equipment

Flat-bottomed S line multi-function steering wheel (with gear-shift paddles on S tronic® models)

Piano Finish black inlays and door trims

Exterior equipment

Black styling package – radiator grille-frame in highly polished black, with radiator grille and number plate holder in matt black

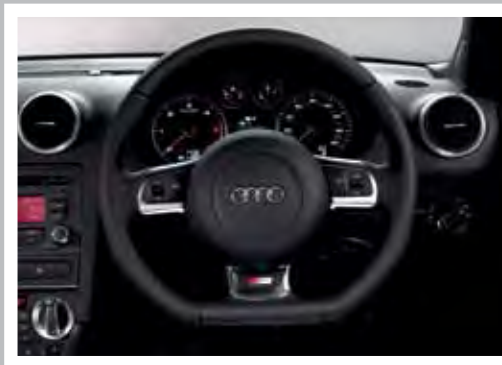
Matt black fog light surrounds and door handles in body colour

Privacy glass, dark tinted from B pillar backwards

Xenon Plus headlights with automatic headlight adjustment, dynamic range control, headlight washers and LED daytime-running lights



MMI Navigation system controls (part of Technology package – Low)



Mobile telephone preparation – High with Audi connect



Bang & Olufsen sound system





In addition to Standard model equipment

Available on S3 Sportback only

Even from a distance, the Audi S3 radiates power. Athletic body styling, 18" alloy wheels, Xenon Plus headlights with LED daytime-running lights and a low-slung body all hint at the breathtaking 265PS of power that awaits you.

Wheels, tyres and suspension

18" x 7.5J parallel '5-spoke S' design alloy wheels with 225/40 R18 Y tyres
'S' Sports suspension

Audio and communication

Driver's Information System (DIS) with energy saving tips

Satellite Navigation system – DVD-based

Audi Music Interface (CD changer can be ordered in lieu of AMI)

Mobile telephone preparation – Bluetooth interface

Seats

Black Silk Nappa leather upholstery with embossing

Front Sports seats (optional front bucket seats available)

Heated front seats

Exterior equipment

Twin chrome oval-shaped exhaust pipes

Aluminium-look door mirror housings

Black brake callipers with S3 emblem

'S' body styling

Xenon Plus headlights with automatic headlight adjustment, dynamic range and headlight washers with LED daytime-running lights

Interior equipment

6-speed manual transmission with reduced shift travel (manual model only)

Aluminium-look pedals

Dual-zone electronic climate control

Flat-bottomed leather 3-spoke Sports multi-function steering wheel, with 'S' emblem (with gear-shift paddles on S tronic models)

Front and rear floor mats with silver edging

Front centre armrest

Illuminated vanity mirrors

Matt-brushed aluminium inlays and door trims

'S' instrument dials

Door sills with aluminium inlays and S3 logo

Safety and security

quattro all-wheel-drive



18" x 7.5J parallel '5-spoke S' design alloy wheels



Aluminium-look pedals



Flat-bottomed multi-function steering wheel, with 'S' emblem



Door sills with aluminium inlays and S3 logo



Black Edition

In addition to S3 model equipment

Available on A3 Sportback only

Basic RRP

£425.00

Total RRP inc VAT

£510.00*

Wheels, tyres and suspension

18" x 7.5J '5-arm rotor' design titanium finish alloy wheels with 225/40 R18 tyres

Audio and communication

BOSE® premium sound system with 8 high-performance loudspeakers, 6-channel amplifier, total output of 195 Watts with specially tuned acoustics

Exterior equipment

Black styling package – radiator grille-frame in highly polished black, with radiator grille and number plate holder in matt black

Matt black fog light surrounds and door handles in body colour

Privacy glass, dark tinted from B pillar backwards

Interior equipment

Piano Finish black inlays and door trims



18" x 7.5J '5-arm rotor' design titanium finish alloy wheels



Privacy glass, dark tinted from B pillar backwards



BOSE® premium sound system

*Valid for new vehicle orders placed up to and including 31 March 2012. Offers are subject to availability. RRP – Recommended Retail Price. VAT is calculated at 20% but this may alter to reflect any change in the applicable VAT rate.

A3 3-door SE

| Engines | Power | Transmissions | CO ₂ g/km | Basic RRP | Total RRP inc VAT | Recommended OTR |
|----------|-------|----------------|----------------------|------------|-------------------|-----------------|
| 1.2 TFSI | 105PS | 6-speed manual | 127 | £13,962.50 | £16,755.00 | £17,400.00 |
| 1.4 TFSI | 125PS | 6-speed manual | 132 | £15,158.33 | £18,190.00 | £18,955.00 |
| 1.8 TFSI | 160PS | 6-speed manual | 152 | £16,600.00 | £19,920.00 | £20,735.00 |
| 1.6 TDI | 105PS | 5-speed manual | 109 | £15,758.33 | £18,910.00 | £19,555.00 |
| 2.0 TDI | 140PS | 6-speed manual | 115 | £16,883.33 | £20,260.00 | £20,905.00 |
| 2.0 TDI | 170PS | 6-speed manual | 123 | £17,675.00 | £21,210.00 | £21,855.00 |

A3 3-door Sport

| Engines | Power | Transmissions | CO ₂ g/km | Basic RRP | Total RRP inc VAT | Recommended OTR |
|----------|-------|----------------|----------------------|------------|-------------------|-----------------|
| 1.2 TFSI | 105PS | 6-speed manual | 127 | £14,983.33 | £17,980.00 | £18,625.00 |
| 1.4 TFSI | 125PS | 6-speed manual | 132 | £15,158.33 | £18,190.00 | £18,955.00 |
| 1.8 TFSI | 160PS | 6-speed manual | 152 | £16,600.00 | £19,920.00 | £20,735.00 |
| 1.6 TDI | 105PS | 5-speed manual | 109 | £15,758.33 | £18,910.00 | £19,555.00 |
| 2.0 TDI | 140PS | 6-speed manual | 115 | £16,883.33 | £20,260.00 | £20,905.00 |
| 2.0 TDI | 170PS | 6-speed manual | 123 | £17,675.00 | £21,210.00 | £21,855.00 |

A3 3-door S line

| Engines | Power | Transmissions | CO ₂ g/km | Basic RRP | Total RRP inc VAT | Recommended OTR |
|----------|-------|----------------|----------------------|------------|-------------------|-----------------|
| 1.2 TFSI | 105PS | 6-speed manual | 127 | £16,304.17 | £19,565.00 | £20,210.00 |
| 1.4 TFSI | 125PS | 6-speed manual | 132 | £16,479.17 | £19,775.00 | £20,540.00 |
| 1.8 TFSI | 160PS | 6-speed manual | 152 | £17,920.83 | £21,505.00 | £22,320.00 |
| 1.6 TDI | 105PS | 5-speed manual | 109 | £17,079.17 | £20,495.00 | £21,140.00 |
| 2.0 TDI | 140PS | 6-speed manual | 115 | £18,204.17 | £21,845.00 | £22,490.00 |
| 2.0 TDI | 170PS | 6-speed manual | 123 | £18,995.83 | £22,795.00 | £23,440.00 |

Please note: The maximum power output figures are quoted in PS (or Pferdestärke, which is the metric equivalent of brake horsepower). To convert to brake horsepower, divide the PS figure by 1.0139.

Recommended On-The-Road (OTR) retail prices include: delivery charge, half a tank of fuel, number plates at £590.00 (inc. VAT), Road Fund Licence (which may vary depending on model/transmission – see page 71 for details) and first registration fee at £55.00. Vehicle Excise Duty correct at time of going to print, but this may alter to reflect any change in the applicable VED rate.

RRP – Recommended Retail Price. VAT is calculated at 20% but this may alter to reflect any change in the applicable VAT rate.

A3 Sportback Standard

| Engines | Power | Transmissions | CO ₂ g/km | Basic RRP | Total RRP inc VAT | Recommended OTR |
|-----------------|-------|----------------|-------------------------|------------|----------------------|--------------------|
| 1.6 | 102PS | 5-speed manual | 164 | £13,641.67 | £16,370.00 | £17,185.00 |
| 1.2 TFSI | 105PS | 6-speed manual | 127 | £13,875.00 | £16,650.00 | £17,295.00 |
| 1.4 TFSI | 125PS | 6-speed manual | 134 | £15,070.83 | £18,085.00 | £18,850.00 |
| 1.8 TFSI | 160PS | 6-speed manual | 153 | £16,512.50 | £19,815.00 | £20,630.00 |
| 2.0 TFSI | 200PS | 6-speed manual | 168 | £17,625.00 | £21,150.00 | £22,070.00 |
| 1.6 TDI | 105PS | 5-speed manual | 109 | £15,670.83 | £18,805.00 | £19,450.00 |
| 2.0 TDI | 140PS | 6-speed manual | 115 | £16,795.83 | £20,155.00 | £20,800.00 |
| 2.0 TDI | 170PS | 6-speed manual | 123 | £17,587.50 | £21,105.00 | £21,750.00 |
| 2.0 TDI quattro | 170PS | 6-speed manual | 135 | £18,779.17 | £22,535.00 | £23,300.00 |

A3 Sportback Technik

| Engine | Power | Transmission | CO ₂ g/km | Basic RRP | Total RRP inc VAT | Recommended OTR |
|--------|-------|----------------|-------------------------|------------|----------------------|--------------------|
| 1.6 | 102PS | 5-speed manual | 164 | £13,891.67 | £16,670.00 | £17,485.00 |

A3 Sportback SE

| Engines | Power | Transmissions | CO ₂ g/km | Basic RRP | Total RRP inc VAT | Recommended OTR |
|-----------------|-------|----------------|-------------------------|------------|----------------------|--------------------|
| 1.2 TFSI | 105PS | 6-speed manual | 127 | £14,429.17 | £17,315.00 | £17,960.00 |
| 1.4 TFSI | 125PS | 6-speed manual | 134 | £15,625.00 | £18,750.00 | £19,515.00 |
| 1.8 TFSI | 160PS | 6-speed manual | 153 | £17,066.67 | £20,480.00 | £21,295.00 |
| 2.0 TFSI | 200PS | 6-speed manual | 168 | £18,179.17 | £21,815.00 | £22,735.00 |
| 1.6 TDI | 105PS | 5-speed manual | 109 | £16,225.00 | £19,470.00 | £20,115.00 |
| 2.0 TDI | 140PS | 6-speed manual | 115 | £17,350.00 | £20,820.00 | £21,465.00 |
| 2.0 TDI | 170PS | 6-speed manual | 123 | £18,141.67 | £21,770.00 | £22,415.00 |
| 2.0 TDI quattro | 170PS | 6-speed manual | 135 | £19,333.33 | £23,200.00 | £23,965.00 |

A3 Sportback Sport

| Engines | Power | Transmissions | CO ₂ g/km | Basic RRP | Total RRP inc VAT | Recommended OTR |
|------------------|-------|------------------|-------------------------|------------|----------------------|--------------------|
| 1.2 TFSI | 105PS | 6-speed manual | 127 | £15,450.00 | £18,540.00 | £19,185.00 |
| 1.4 TFSI | 125PS | 6-speed manual | 134 | £15,625.00 | £18,750.00 | £19,515.00 |
| 1.8 TFSI | 160PS | 6-speed manual | 153 | £17,066.67 | £20,480.00 | £21,295.00 |
| 2.0 TFSI | 200PS | 6-speed manual | 168 | £18,179.17 | £21,815.00 | £22,735.00 |
| 2.0 TFSI quattro | 200PS | 6-speed S tronic | 176 | £20,604.17 | £24,725.00 | £25,695.00 |
| 1.6 TDI | 105PS | 5-speed manual | 109 | £16,225.00 | £19,470.00 | £20,115.00 |
| 2.0 TDI | 140PS | 6-speed manual | 115 | £17,350.00 | £20,820.00 | £21,465.00 |
| 2.0 TDI | 170PS | 6-speed manual | 123 | £18,141.67 | £21,770.00 | £22,415.00 |
| 2.0 TDI quattro | 170PS | 6-speed manual | 135 | £19,333.33 | £23,200.00 | £23,965.00 |

A3 Sportback S line

| Engines | Power | Transmissions | CO ₂ g/km | Basic RRP | Total RRP inc VAT | Recommended OTR |
|------------------|-------|------------------|----------------------|------------|-------------------|-----------------|
| 1.2 TFSI | 105PS | 6-speed manual | 127 | £16,770.83 | £20,125.00 | £20,770.00 |
| 1.4 TFSI | 125PS | 6-speed manual | 134 | £16,945.83 | £20,335.00 | £21,100.00 |
| 1.8 TFSI | 160PS | 6-speed manual | 153 | £18,387.50 | £22,065.00 | £22,880.00 |
| 2.0 TFSI | 200PS | 6-speed manual | 168 | £19,500.00 | £23,400.00 | £24,320.00 |
| 2.0 TFSI quattro | 200PS | 6-speed S tronic | 176 | £21,925.00 | £26,310.00 | £27,280.00 |
| 1.6 TDI | 105PS | 5-speed manual | 109 | £17,545.83 | £21,055.00 | £21,700.00 |
| 2.0 TDI | 140PS | 6-speed manual | 115 | £18,670.83 | £22,405.00 | £23,050.00 |
| 2.0 TDI | 170PS | 6-speed manual | 123 | £19,462.50 | £23,355.00 | £24,000.00 |
| 2.0 TDI quattro | 170PS | 6-speed manual | 135 | £20,654.17 | £24,785.00 | £25,550.00 |

A3 Sportback Black Edition

| Engines | Power | Transmissions | CO ₂ g/km | Basic RRP | Total RRP inc VAT | Recommended OTR |
|------------------|-------|------------------|----------------------|------------|-------------------|-----------------|
| 1.8 TFSI | 160PS | 6-speed manual | 153 | £19,304.17 | £23,165.00 | £23,980.00 |
| 2.0 TFSI | 200PS | 6-speed manual | 168 | £20,416.67 | £24,500.00 | £25,420.00 |
| 2.0 TFSI quattro | 200PS | 6-speed S tronic | 176 | £22,841.67 | £27,410.00 | £28,380.00 |
| 2.0 TDI | 140PS | 6-speed manual | 115 | £19,587.50 | £23,505.00 | £24,150.00 |
| 2.0 TDI | 170PS | 6-speed manual | 123 | £20,379.17 | £24,455.00 | £25,100.00 |
| 2.0 TDI quattro | 170PS | 6-speed manual | 135 | £21,570.83 | £25,885.00 | £26,650.00 |

Please note: The maximum power output figures are quoted in PS (or Pferdestärke, which is the metric equivalent of brake horsepower). To convert to brake horsepower, divide the PS figure by 1.0139.

Recommended On-The-Road (OTR) retail prices include: delivery charge, half a tank of fuel, number plates at £590.00 (inc. VAT), Road Fund Licence (which may vary depending on model/transmission – see page 71 for details) and first registration fee at £55.00. Vehicle Excise Duty correct at time of going to print, but this may alter to reflect any change in the applicable VED rate.

RRP – Recommended Retail Price. VAT is calculated at 20% but this may alter to reflect any change in the applicable VAT rate.

S3 Sportback

| Engines | Power | Transmissions | CO ₂ g/km | Basic RRP | Total RRP inc VAT | Recommended OTR |
|------------------|-------|----------------|----------------------|------------|-------------------|-----------------|
| 2.0 TFSI quattro | 265PS | 6-speed manual | 198 | £25,445.83 | £30,535.00 | £31,640.00 |

S3 Sportback Black Edition

| Engines | Power | Transmissions | CO ₂ g/km | Basic RRP | Total RRP inc VAT | Recommended OTR |
|------------------|-------|----------------|----------------------|------------|-------------------|-----------------|
| 2.0 TFSI quattro | 265PS | 6-speed manual | 199 | £25,870.83 | £31,045.00 | £32,150.00 |

Transmissions

| | 6-speed S tronic | 7-speed S tronic |
|--------------------------|------------------|------------------|
| 1.6 | – | – |
| 1.2 TFSI | – | ● |
| 1.4 TFSI | – | ● |
| 1.8 TFSI | – | ● |
| 2.0 TFSI* | ● | – |
| 2.0 TFSI quattro | S | – |
| S3 quattro | ● | – |
| 1.6 TDI | – | ● |
| 2.0 TDI (140 and 170PS)† | ● | – |
| 2.0 TDI quattro | – | – |
| Basic RRP | £1,233.33 | £1,233.33 |
| Total RRP | £1,480.00 | £1,480.00 |

– = Not available ● = Available S = Standard

*2.0 TFSI S tronic only available on Sport and S line models.

†Only available on Sportback models.



Audi exclusive



Every Audi is intrinsically exclusive. It's the breathtaking design, the exceptional engineering, the Vorsprung durch Technik. But for that special touch you can specify your new A3 with options from Audi exclusive. Whether you want a unique, custom-mixed paint colour or seats in a combination of complementary shades, Audi exclusive will enable you to drive the car you've always imagined.

Both the exclusive and standard options can be found on the following pages.



Audi exclusive line





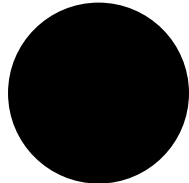
Paint

You can select one of the standard colours shown opposite or, for a different look, choose from the range of metallic or pearl-effect finishes.

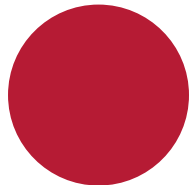
Standard colours



Ibis white* - T9

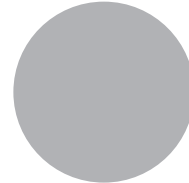


Brilliant black - A2

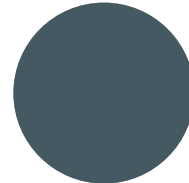


Brilliant red - C8

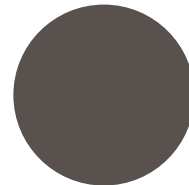
Optional colours



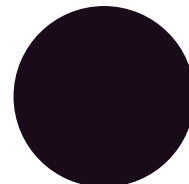
Ice silver, metallic - P5



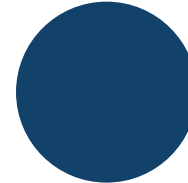
Sphere blue, metallic** - 9F



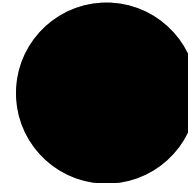
Dakota grey, metallic* - Y7



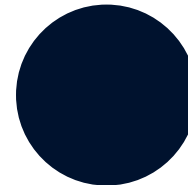
Tungsten grey, metallic** - 1J



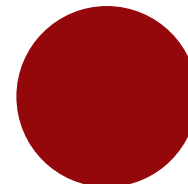
Scuba blue, metallic* - S9



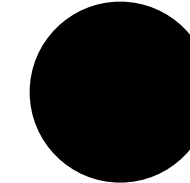
Lava grey, pearl effect** - 1R



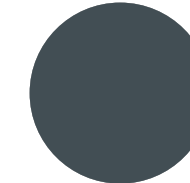
Deep sea blue, pearl effect* - 8A



Volcano red, metallic** - 1G



Phantom black, pearl effect - L8

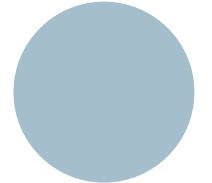


Condor grey, metallic* - 5Q

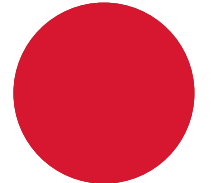


Glacier white, metallic - 2Y

S line colours



Monza silver, metallic** - U7



Misano red, pearl effect* - N9

Options are subject to availability and may extend delivery.

*Not available on S3 models.

†Not available on A3 3-door.

All the colour swatches on this page are matched as accurately as possible to the actual paint colours used. However, due to print processes, Audi UK cannot guarantee that colours shown are 100% accurate.

Visit your local Audi Centre for a more accurate colour swatch.

RRP - Recommended Retail Price.

VAT is calculated at 20% but this may alter to reflect any change in the applicable VAT rate.

Optional colours

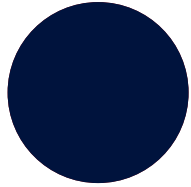
Basic RRP

£425.00

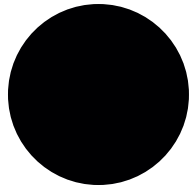
Total RRP inc VAT

£510.00

S3 Sportback colours



Estoril blue, crystal effect - KO



Panther black, crystal effect - H8

Panther black crystal effect

Basic RRP
£625.00

Total RRP inc VAT
£750.00

Paint

Audi exclusive

Everyone has a favourite colour. No matter what yours is, Audi exclusive provides a range of unique colours that have been designed to set your car apart. Choose from the swatches here, or specify any other paint colour in the Audi range - whether it's Jet blue from the Audi R8 or Alpine white from the original Audi quattro. The choice is yours.

Customised

If you have a particular colour in mind, we'll mix the exact metallic or pearl-effect shade you want.*

*Custom paint is subject to factory approval, and is available for metallic and pearl-effect water-based paints only. Three-colour process colours and two-tone schemes are not available.

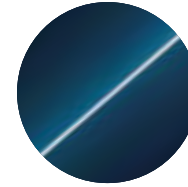
+Visit your local Audi Centre for colour samples.

All the colour swatches on this page are matched as accurately as possible to the actual paint colours used. However, due to print processes, Audi UK cannot guarantee that colours shown are 100% accurate.

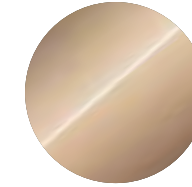
Visit your local Audi Centre for a more accurate colour swatch.

RRP - Recommended Retail Price.

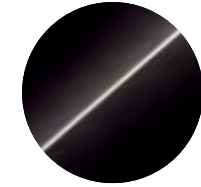
VAT is calculated at 20% but this may alter to reflect any change in the applicable VAT rate.



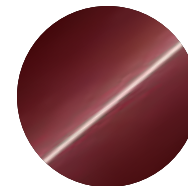
Palace blue, pearl effect



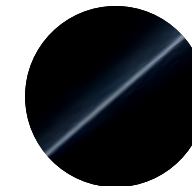
Sand beige, pearl effect



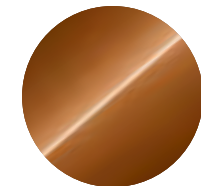
Saddle brown, pearl effect



Classic red, pearl effect



Mamba black, metallic



Ipanema brown, metallic



Any colour in
the Audi range



100 Audi
exclusive
colours to
choose from*

Audi exclusive

Basic RRP
£1,445.83

Total RRP inc VAT
£1,735.00



Customised paint

Customised

Basic RRP
£2,041.67

Total RRP inc VAT
£2,450.00

Upholstery

A3 Standard and SE models

Choose your favourite upholstery from the swatches shown opposite to give your car's interior the look and feel you want.

| | Standard | Technik | SE | Sport | S line | Black Edition | S3 | S3 Black Edition | Basic RRP | Total RRP inc VAT |
|------------------------|----------|---------|----|-------|--------|---------------|----|------------------|-----------|-------------------|
| Frequency cloth | S | S | S | - | - | - | - | - | No charge | No charge |
| | | | | | | | | | | |
| Vienna leather | • | • | • | - | - | - | - | - | £1,020.83 | £1,225.00 |
| | | | | | | | | | | |

A3 Sport models

| | | | | | | | | | | |
|----------------------|---|---|---|---|---|---|---|---|-----------|-----------|
| Dynamic cloth | - | - | - | S | - | - | - | - | No charge | No charge |
| | | | | | | | | | | |

Options are subject to availability and may extend delivery.

- = Not available
- = Available
- S = Standard

*Not available on A3 3-door.




All leather upholstery choices include seats, head restraints and front centre armrest (if fitted) in leather.

RRP - Recommended Retail Price.

VAT is calculated at 20% but this may alter to reflect any change in the applicable VAT rate.

Upholstery

A3 S line and Black Edition models

| | | Standard | Technik | SE | Sport | S line | Black Edition | S3 | S3 Black Edition | Basic RRP | Total RRP inc VAT |
|------------------------------|--|----------|---------|----|-------|--------|---------------|----|------------------|-----------|-------------------|
| Sprint cloth/leather |  Black - QF/QE | - | - | - | - | S | S | - | - | No charge | No charge |
| Perforated Alcantara/leather |  Black - QF/QE | - | - | - | - | • | • | - | - | £400.00 | £480.00 |
| Vienna leather |  Black - QE | - | - | - | - | • | • | - | - | £595.83 | £715.00 |

Options are subject to availability and may extend delivery.

- = Not available
- = Available
- S = Standard

All leather upholstery choices include seats, head restraints and front centre armrest (if fitted) in leather.

Alcantara/Leather choices include head restraints, seat side bolster and front centre armrest in leather with the seat centres and door panels in Alcantara.

RRP - Recommended Retail Price.

VAT is calculated at 20% but this may alter to reflect any change in the applicable VAT rate.

Upholstery

S3 Sportback and S3 Sportback Black Edition models

Options are subject to availability and may extend delivery.

- = Not available
- = Available
- S = Standard

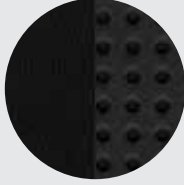




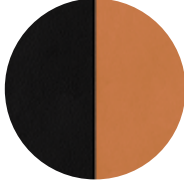
All leather upholstery choices include seats, head restraints and front centre armrest (if fitted) in leather.

Leather/Alcantara choices include head restraints, seat side bolster and front centre armrest in leather with the seat centres and door panels in Alcantara.

*Includes contrasting stitching.

RRP - Recommended Retail Price.

VAT is calculated at 20% but this may alter to reflect any change in the applicable VAT rate.

| | | Standard | Technik | SE | Sport | S line | Black Edition | S3 | S3 Black Edition | Basic RRP | Total RRP inc VAT |
|-----------------------------|--|----------|---------|----|-------|--------|---------------|----|------------------|-----------|-------------------|
| Embossed Silk Nappa leather |  | - | - | - | - | - | - | S | S | No charge | No charge |
| | Black - ZM/ZN | | | | | | | | | | |
| Pearl leather/Alcantara |  | - | - | - | - | - | - | • | • | No charge | No charge |
| | Black - ZM/ZN | | | | | | | | | | |
| |  | | | | | | | | | | |
| | Silver/Black - ZW/ZX | | | | | | | | | | |
| Two-tone Silk Nappa leather |  | - | - | - | - | - | - | • | • | £254.17 | £305.00 |
| | Silver/Black* - ZA/ZB | | | | | | | | | | |
| |  | | | | | | | | | | |
| | Magma red/Black* - FA/FD | | | | | | | | | | |
| |  | - | - | - | - | - | - | • | • | £1,658.33 | £1,990.00 |
| | Signal orange/Black exclusive* - ZM/ZN | | | | | | | | | | |
| | (PYZ) Audi exclusive two-tone Silk Nappa leather seats in Black/Orange. Seat-centre section in Signal orange leather, seat-side sections and head restraints in Black leather with contrasting Orange stitching. Steering wheel, handbrake handle and gear-lever gaiter in Black leather with Orange stitching. Black front and rear floor mats with Orange leather piping | | | | | | | | | | |

Colour and trim guide

Interior trim colours

Standard, Technik and SE models

To help you choose the right interior for your new Audi A3, please use this guide, showing the carpet, dashboard and headlining colours that have been matched to your chosen upholstery.

| Order Code | Upholstery | Carpet | Dashboard (upper/lower) | Headlining | Frequency cloth (N5G) | Vienna leather (PLV) |
|-------------|--------------|--------------|-------------------------|------------|-----------------------|----------------------|
| MB | Black | Black | Black/Black | Silver | ● | ● |
| BW | Mineral grey | Mineral grey | Black/Mineral grey | Silver | ● ⁺ | ● ⁺ |
| BX | Light grey | Light grey | Black/Light grey | Silver | ● | ● ⁺ |
| BU* | Luxor beige | Black | Black/Black | Beige | — | ● |
| BV** | Luxor beige | Luxor beige | Black/Luxor beige | Beige | — | ● |

Sport models

| Order Code | Upholstery | Carpet | Dashboard (upper/lower) | Headlining | Dynamic ⁺ cloth (N5B) | Vienna leather (N1A) | Alcantara/ leather (N7U) | Fine Nappa leather (N3Q) ⁺ | exclusive line package (WQK) ⁺ |
|-------------|-------------------|--------------|-------------------------|------------|----------------------------------|----------------------|--------------------------|---------------------------------------|---|
| BS | Black/Silver | Black | Black/Black | Silver | ● | — | — | — | — |
| MQ | Black/Blue | Black | Black/Black | Silver | ● | — | — | — | — |
| MR | Black/Red | Black | Black/Black | Silver | ● ⁺ | — | — | — | — |
| BW | Mineral grey | Mineral grey | Black/Mineral grey | Silver | ● ⁺ | ● ⁺ | — | — | — |
| BX | Light grey | Light grey | Black/Light grey | Silver | ● | ● | ● | — | — |
| MB | Black | Black | Black/Black | Silver | — | ● | ● | ● | — |
| ES | Silk beige | Black | Black/Black | Black | — | ● | — | — | — |
| BU* | Luxor beige | Black | Black/Black | Beige | — | ● | — | — | — |
| BV** | Luxor beige | Luxor beige | Black/Luxor beige | Beige | — | ● | — | — | — |
| BT | Mustang brown | Black | Black/Black | Silver | — | — | — | ● | — |
| CW | Red | Black | Black/Black | Silver | — | — | — | ● | — |
| QY | Crimson red/Black | Black | Black/Black | Black | — | — | — | — | ● |
| QL | Silver/Black | Black | Black/Black | Black | — | — | — | — | ● |
| QX | Cognac/Black | Black | Black/Black | Black | — | — | — | — | ● |

Options are subject to availability and may extend delivery.

— = Not available
● = Available
S = Standard

*3-door only.

**Sportback only.

⁺Not available on A3 3-door

Colour and trim guide

Interior trim colours

S line and Black Edition models

| Order Code | Upholstery | Carpet | Dashboard (upper/lower) | Headlining | Sprint cloth/ leather (N7V) | Vienna leather (N1R) | Perforated Alcantara/ leather (N7K) | exclusive line package (WQF YED) |
|------------|-------------------------------|--------|-------------------------|------------|-----------------------------|----------------------|-------------------------------------|----------------------------------|
| QE | Black (with black stitching) | Black | Black/Black | Black | ● | ● | ● | — |
| QF | Black (with silver stitching) | Black | Black/Black | Black | ● | — | ● | — |
| QY | Crimson red/Black | Black | Black/Black | Black | — | — | — | ● |
| QL | Silver/Black | Black | Black/Black | Black | — | — | — | ● |
| QX | Cognac/Black | Black | Black/Black | Black | — | — | — | ● |

S3 Sportback and S3 Sportback Black Edition models

| Order Code | Upholstery | Carpet | Dashboard (upper/lower) | Headlining | Silk Nappa leather, embossed (N1U) | Two-tone Silk Nappa leather with contrasting stitching (N5X) | Alcantara/ Pearl leather (N7U) | Bucket seats in Fine Nappa leather (P55) |
|------------|-----------------------|--------|-------------------------|------------|------------------------------------|--|--------------------------------|--|
| ZM | Black | Black | Black/Black | Black | ● | — | ● | ● |
| ZN | Black | Black | Black/Black | Silver | ● | — | ● | ● |
| ZA | Silver/Black | Black | Black/Black | Black | — | ● | — | — |
| ZB | Silver/Black | Black | Black/Black | Silver | — | ● | — | — |
| FA | Magma red/Black | Black | Black/Black | Black | — | ● | — | — |
| FD | Magma red/Black | Black | Black/Black | Silver | — | ● | — | — |
| ZM | Signal orange/Black** | Black | Black/Black | Black | — | ● | — | — |
| ZN | Signal orange/Black** | Black | Black/Black | Silver | — | ● | — | — |
| ZW | Silver/Black | Black | Black/Black | Black | — | — | ● | — |
| ZX | Silver/Black | Black | Black/Black | Silver | — | — | ● | — |

Options are subject to availability and may extend delivery.

- = Not available
- = Available
- S = Standard

**Only available through Audi exclusive.

Upholstery

Audi exclusive

With Audi exclusive, you can specify your seats in Fine Nappa leather or Fine Nappa leather/Alcantara, in an array of different colours shown to the right.

Select just one all-over shade for each seat, or customise each panel in two or more complementary colours from the distinctive Audi exclusive palette. You can even choose the colour of the decorative stitching – to match or contrast with your chosen upholstery – from this varied collection. Whatever combination you decide upon, we think you'll be extremely comfortable with the result.

Options are subject to availability and may extend delivery.

- = Not available
- = Available
- S = Standard

*Leather, stitching and piping (where applicable) colours can be specified in a variety of colours from the Audi exclusive range.

RRP – Recommended Retail Price.

VAT is calculated at 20% but this may alter to reflect any change in the applicable VAT rate.

| Order Code | | Standard | Technik | SE | Sport | S line | Black Edition | S3 | S3 Black Edition | Basic RRP | Total RRP inc VAT |
|----------------|---|----------|---------|----|-------|--------|---------------|----|------------------|-----------|-------------------|
| PYA S3G | Audi exclusive leather package 1 in Fine Nappa leather. Includes leather-covered seat upholstery, front centre armrest and door trim inserts and floor mats with leather piping. Backrest covers and seat add-on parts come in the interior trim colour. Only available on A3 Sportback models | • | • | • | - | - | - | - | - | £2,512.50 | £3,015.00 |
| | | - | - | - | • | - | - | - | - | £2,341.67 | £2,810.00 |
| | | - | - | - | - | • | - | - | - | £2,083.33 | £2,500.00 |
| | | - | - | - | - | - | - | • | - | £1,658.33 | £1,990.00 |
| PYC S3G | Audi exclusive leather package 1 in Fine Nappa leather/Alcantara. Includes leather-covered seat-side trims, head restraints, front centre armrest, and door trim inserts, Alcantara seat-centre sections and floor mats with leather piping. Backrest covers and seat add-on parts come in the interior trim colour. Only available on A3 Sportback models | • | • | • | - | - | - | - | - | £2,512.50 | £3,015.00 |
| | | - | - | - | • | - | - | - | - | £2,341.67 | £2,810.00 |
| | | - | - | - | - | • | - | - | - | £2,083.33 | £2,500.00 |
| YSI S3G | Audi exclusive extended Fine Nappa leather package. Includes leather-covered knee pads and door handles*. Only available on A3 Sportback models | • | • | • | • | • | • | • | • | £675.00 | £810.00 |



Chestnut brown



Jet grey



Alabaster white



Sand beige



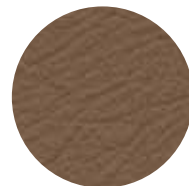
Saddle brown



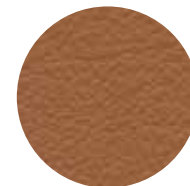
Crimson red



Magnolia white



Havanna brown



Cognac brown



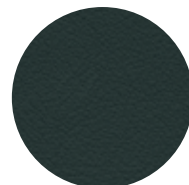
Night blue



Cloudy grey



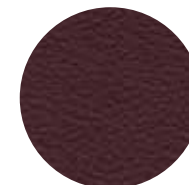
Smoky blue



Iceland green



Powder beige



Classic red

Also available:

Alcantara colours: available in all the Audi exclusive colours shown, except for Crimson red, Jet grey and Sand beige. Alcantara equivalents are Chilli red, Amethyst grey, and Sesame beige respectively.

Please consult your Audi Centre for examples of Alcantara and carpet colours.

Upholstery

Audi exclusive line

Audi exclusive is ultimately about choice – but if you’d rather leave some of the decisions in the capable hands of our designers, the expert team at quattro GmbH have compiled Audi exclusive line, combining some of the most popular elements of the exclusive range in one, beautifully coordinated package.

Options are subject to availability and may extend delivery.

– = Not available
• = Available
S = Standard

*On S line models, S line door sills supersede exclusive line door sills.

**On Black Edition models, Piano finish black inlays and door trims supersede matt-brushed aluminium inlays and door trims.

***Replaces flat-bottomed steering wheel on Black Edition.

RRP – Recommended Retail Price.

VAT is calculated at 20% but this may alter to reflect any change in the applicable VAT rate.

| Order Code | | Standard | Technik | SE | Sport | S line | Black Edition | S3 | S3 Black Edition | Basic RRP | Total RRP inc VAT |
|------------|---|----------|---------|----|-------|--------|---------------|----|------------------|-----------|-------------------|
| WQK | Audi exclusive line. Only available on A3 Sportback models | – | – | – | • | – | – | – | – | £1,704.17 | £2,045.00 |
| WQF YED | Audi exclusive line. Only available on A3 Sportback models | – | – | – | – | • | • | – | – | £850.00 | £1,020.00 |



Crimson red/Black – QY



Cognac/Black – QX



Silver/Black – QL

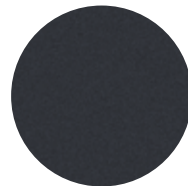
This package includes

- ▶ Sports seats in two-tone Fine Nappa leather, with black seat-side sections with coloured stitching and coloured seat-centre section in Crimson red, Cognac or Silver
- ▶ Door-trim inserts to match seat-centre section
- ▶ Black dashboard and carpets
- ▶ Black cloth headlining
- ▶ Audi exclusive door sill trims*
- ▶ Matt-brushed aluminium inlays and door trims**
- ▶ Floor mats in black with coloured piping (to match seat-centre section)
- ▶ 3-spoke leather steering wheel (S tronic with gear-shift paddles)***
- ▶ Steering wheel rim and gear-lever gaiter with coloured stitching in matching colour to seat-centre section
- ▶ Head restraints with coloured stitching in matching colour to seat-centre section

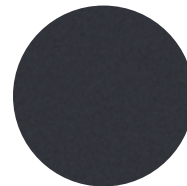
Inlays

Inlays are the all-important finishing touch that add flair and interest to your car's interior.

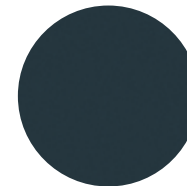
| Order Code | | Standard | Technik | SE | Sport | S line | Black Edition | S3 | S3 Black Edition | Basic RRP | Total RRP inc VAT |
|------------|--------------------------------------|----------|---------|----|-------|--------|---------------|----|------------------|-----------|-------------------|
| SMC | Granite*, Umbra*, Opal* | S | S | S | - | - | - | - | - | No charge | No charge |
| STD | Aluminium medial | - | - | - | S | - | - | - | - | No charge | No charge |
| STG | Matt-brushed aluminium | - | - | - | - | S | - | S | - | No charge | No charge |
| STL | Piano finish, black* | - | - | - | - | ● | S | ● | S | No charge | No charge |
| STZ | Fine grain birch wood, grey* | - | - | - | - | - | - | ● | - | No charge | No charge |
| SMP | Burr walnut wood, dark brown* | ● | ● | ● | - | - | - | - | - | £304.17 | £365.00 |
| | | - | - | - | ● | - | - | - | - | £150.00 | £180.00 |



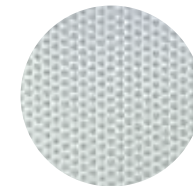
Granite* – SMC



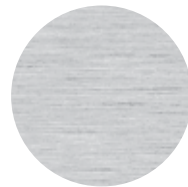
Umbra* – SMC



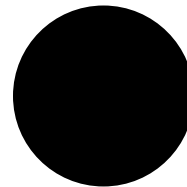
Opal* – SMC



Aluminium medial – STD



Matt-brushed aluminium – STG



Piano finish, black – STL



Fine grain birch wood, grey – STZ



Burr walnut wood, dark brown – SMP

Options are subject to availability and may extend delivery.

- = Not available
- = Available
- S = Standard

*Light grey and Luxor beige upholstery include Umbra inlays. Black upholstery includes Granite inlays. Mineral grey upholstery includes Opal inlays.

†Not available on A3 3-door.

RRP – Recommended Retail Price.

VAT is calculated at 20% but this may alter to reflect any change in the applicable VAT rate.

Inlays

Audi exclusive

Audi exclusive has sourced a range of materials which you can select for your inlays, from Sepia oak to Fine grain myrtle.

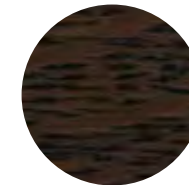
| Order Code | | Standard | Technik | SE | Sport | S line | Black Edition | S3 | S3 Black Edition | Basic RRP | Total RRP inc VAT |
|----------------|--|----------|---------|----|-------|--------|---------------|----|------------------|-----------|-------------------|
| YTA S3G | Audi exclusive inlays (cannot be combined with the inlays shown on page 40). Only available on A3 Sportback models | • | • | • | • | • | – | • | – | £650.00 | £780.00 |



Fine grain ash, nougat



Fine grain myrtle, nutmeg



Oak, sepia

Options are subject to availability and may extend delivery.

- = Not available
- = Available
- S = Standard

RRP – Recommended Retail Price.

VAT is calculated at 20% but this may alter to reflect any change in the applicable VAT rate.

Wheels, tyres and suspension

Choose a set of specially-selected alloy wheels to subtly enhance the way your car looks.



17" x 7.5J '5-arm dynamic' design alloy wheels - C4F



17" x 7.5J '16-spoke' design alloy wheels - C4N



17" x 7.5J '10-spoke V' design high gloss finish alloy wheels - COX



17" x 7.5J '5-spoke' design alloy wheels - CP4



18" x 7.5J '5-segment-spoke' design alloy wheels - F41



18" x 7.5J '20-spoke' design alloy wheels - C2Q

Wheels, tyres and suspension

| Order Code | | Standard | Technik | SE | Sport | S line | Black Edition | S3 | S3 Black Edition | Basic RRP | Total RRP inc VAT |
|------------|---|----------|---------|----|-------|--------|---------------|----|------------------|-----------|-------------------|
| C4F | 17" x 7.5J '5-arm dynamic' design alloy wheels with 225/45 R17 tyres | ● | - | ● | - | - | - | - | - | £425.00 | £510.00 |
| | | - | - | - | ● | - | - | - | - | £254.17 | £305.00 |
| C4N | 17" x 7.5J '16-spoke' design alloy wheels with 225/45 R17 tyres | ● | - | ● | - | - | - | - | - | £466.67 | £560.00 |
| | | - | - | - | ● | - | - | - | - | £295.83 | £355.00 |
| C0X | 17" x 7.5J '10-spoke V' design high gloss finish alloy wheels with 225/45 R17 tyres | ● | - | ● | - | - | - | - | - | £554.17 | £665.00 |
| | | - | - | - | ● | - | - | - | - | £383.33 | £460.00 |
| CP4 | 17" x 7.5J '5-spoke' design alloy wheels with 225/45 R17 tyres | ● | S | ● | - | - | - | - | - | £554.17 | £665.00 |
| | | - | - | - | ● | - | - | - | - | £383.33 | £460.00 |
| F41 | 18" x 7.5J '5-segment-spoke' design alloy wheels with 225/40 R18 tyres | - | - | - | - | ● | - | - | - | £295.83 | £355.00 |
| | | - | - | - | - | - | - | ● | - | £595.83 | £715.00 |
| C2Q | 18" x 7.5J '20-spoke' design alloy wheels with 225/40 R18 tyres | ● | - | ● | - | - | - | - | - | £1,054.17 | £1,265.00 |
| | | - | - | - | ● | - | - | - | - | £883.33 | £1,060.00 |
| | | - | - | - | - | ● | - | - | - | £254.17 | £305.00 |
| | | - | - | - | - | - | - | ● | - | £554.17 | £665.00 |
| PDH | Audi magnetic ride. Adaptive suspension system with two selectable modes (Normal or Sport). Sensors in the car monitor the road conditions and adjust the damping effect by varying a magnetic charge which passes through a fluid-based shock absorber, delivering improved road handling, outstanding chassis control and excellent driving comfort. Only available on 2.0 TDI (140 and 170PS), 2.0 TDI quattro, 1.8 TFSI, 2.0 TFSI and 2.0 TFSI quattro | - | - | - | ● | ● | ● | ● | ● | £766.67 | £920.00 |

Options are subject to availability and may extend delivery.

- = Not available
- = Available
- S = Standard

RRP - Recommended Retail Price.

VAT is calculated at 20% but this may alter to reflect any change in the applicable VAT rate.

Packages

Some items work well together, which is why we've created these special packages. They provide increased convenience and value by combining several of our most popular options.

| Order Code | | Standard | Technik | SE | Sport | S line | Black Edition | S3 | S3 Black Edition | Basic RRP | Total RRP inc VAT |
|------------|--|----------|---------|----|-------|--------|---------------|----|------------------|-----------|-------------------|
| WBI | Comfort package. Acoustic parking system (rear only), cruise control and light and rain sensor package. Only in combination with Driver's Information System | ● | ● | ● | ● | ● | ● | ● | ● | £425.00 | £510.00 |
| RSX | Sound package. BOSE® premium sound system, Symphony radio and iPod connection. Not available in combination with technology package, Satellite Navigation system – DVD-based or CD-ROM based, AMI, CD changer or USB connection | ● | – | ● | – | – | – | – | – | £612.50 | £735.00 |
| | | – | – | – | ● | ● | – | – | – | £425.00 | £510.00 |
| WB4 | Technology package. Satellite Navigation system – DVD-based, Bluetooth interface and Audi Music Interface. CD changer can be selected in lieu of AMI. Only in combination with multi-function steering wheel. Not available in combination with sound package, iPod or USB connection | – | – | – | ● | ● | – | S | S | £1,270.83 | £1,525.00 |
| | | – | – | – | – | – | ● | – | – | £1,062.50 | £1,275.00 |

Options are subject to availability and may extend delivery.

- = Not available
- = Available
- S = Standard

RRP – Recommended Retail Price.

VAT is calculated at 20% but this may alter to reflect any change in the applicable VAT rate.



Satellite Navigation system – DVD-based



BOSE® premium sound system



Audio and communication

Stay in touch using our range of communication functions, and give each journey its own soundtrack with our advanced audio equipment.

Options are subject to availability and may extend delivery.

- = Not available
- = Available
- S = Standard

*Uses 5-digit postcode recognition.

RRP - Recommended Retail Price.

VAT is calculated at 20% but this may alter to reflect any change in the applicable VAT rate.

| Order Code | | Standard | Technik | SE | Sport | S line | Black Edition | S3 | S3 Black Edition | Basic RRP | Total RRP inc VAT |
|----------------|--|----------|---------|----|-------|--------|---------------|----|------------------|-----------|-------------------|
| RCM | Concert radio. AM/FM twin tuner with TP memo function. Single front-loading CD player with MP3 compatibility. Active front and rear speakers. Includes AUX-IN socket | • | S | • | S | S | S | - | - | £187.50 | £225.00 |
| RSM | Symphony radio. AM/FM twin tuner with TP memo function. Front-loading 6-CD changer and active front and rear speakers. Includes AUX-IN socket | • | - | • | - | - | - | - | - | £412.50 | £495.00 |
| 8RY | BOSE® premium sound system. 8 high-performance loudspeakers, 6-channel amplifier, total output of 195 Watts with specially tuned acoustics. Only in combination with Concert radio, Symphony radio or Satellite Navigation system (CD-ROM based or DVD based) | • | • | • | • | • | S | • | S | £375.00 | £450.00 |
| PNX 7RF | Satellite Navigation system - CD-ROM based*. Route-planning and guidance using voice and pictogram instructions. Includes AM/FM radio with TP memo function. Single front-loading CD player with MP3 compatibility. Includes AUX-IN socket, MMI operating logic and UK CD-ROM disc. Please note that this option does not include UK TMC functionality. Limited use of navigation system is possible when playing audio CDs so a CD changer, USB or iPod connection is recommended with this option. Only in combination with electronic climate control and Driver's Information System | • | - | • | - | - | - | - | - | £741.67 | £890.00 |
| PND | Satellite Navigation system - DVD-based*. Route planning and guidance using voice, pictogram and map. Includes AM/FM tuner with TP memo function. Single front-loading CD player with MP3 compatibility. Includes AUX-IN socket, MMI operating logic and 6.5-inch colour monitor with bird's-eye map display. Two integrated MMC/SD card slots for playing MP3 files, European coverage navigation DVD and dynamic route guidance via TMC. Use of navigation system is not possible when playing audio CDs so a CD changer or Audi Music Interface is recommended with this option. Includes Driver's Information System. Only in combination with electronic climate control | • | - | • | - | - | - | - | - | £1,591.67 | £1,910.00 |
| | | - | • | - | • | • | • | S | S | £1,404.17 | £1,685.00 |



Symphony radio (RSM)



AUX-IN socket in front centre compartment (standard on Concert and Symphony radio)

Audio and communication

| Order Code | Standard | Technik | SE | Sport | S line | Black Edition | S3 | S3 Black Edition | Basic RRP | Total RRP inc VAT |
|------------|----------|---------|----|-------|--------|---------------|----|------------------|-----------|-------------------|
| 9ZX | • | S | • | • | • | S | S | S | £208.33 | £250.00 |
| 9ZF | • | - | - | - | - | - | - | - | £329.17 | £395.00 |
| 9ZU | • | - | • | • | • | - | - | - | £329.17 | £395.00 |
| | - | • | - | - | - | • | • | • | £120.83 | £145.00 |
| | - | - | - | • | • | • | - | - | £120.83 | £145.00 |

Mobile telephone preparation – Bluetooth interface. Provides handsfree connection via Bluetooth using mobile phone aerial. Please contact your Audi Centre for phone compatibility. Only in combination with multi-function steering wheel and Driver's Information System

Mobile telephone preparation – Low with Bluetooth and voice control. Provides handsfree connection via Bluetooth using mobile phone aerial. Alternatively, it can use a cradle with charging facility for optimal reception via external aerial. Cradle available at extra cost – please contact your Audi Centre for phone compatibility. Only in combination with a multi-function steering wheel and Driver's Information System. Located on dashboard

Mobile telephone preparation – Low with Bluetooth and voice control. Provides handsfree connection via Bluetooth using mobile phone aerial. Alternatively, it can use a cradle with charging facility for optimal reception via external aerial. Cradle available at extra cost – please contact your Audi Centre for phone compatibility. Located in front centre armrest. Only in combination with a multi-function steering wheel, front centre armrest and Driver's Information System

In combination with technology package

Options are subject to availability and may extend delivery.

- = Not available
- = Available
- S = Standard

RRP – Recommended Retail Price.

VAT is calculated at 20% but this may alter to reflect any change in the applicable VAT rate.



Mobile telephone preparation – Low with Bluetooth and voice control (9ZU)

Audio and communication

| Order Code | | Standard | Technik | SE | Sport | S line | Black Edition | S3 | S3 Black Edition | Basic RRP | Total RRP inc VAT |
|------------|--|----------|---------|----|-------|--------|---------------|----|------------------|-----------|-------------------|
| UF1 | iPod connection. For playing/charging your iPod. Located in glovebox and controllable via radio or multi-function steering wheel (if fitted). Cannot be combined with CD changer, USB connection or AMI. Not available in combination with Satellite Navigation system – DVD-based | ● | S | ● | ● | ● | ● | – | – | £154.17 | £185.00 |
| UF2 | USB connection. For playing music from your USB stick. Located in glovebox and controlled via radio or multi-function steering wheel (if fitted). Cannot be combined with CD changer, iPod connection or AMI. Not available in combination with Satellite Navigation – DVD-based | ● | – | ● | ● | ● | ● | – | – | £154.17 | £185.00 |
| UF7 | Audi Music Interface (AMI). Universal connection for use with stereo audio sources, USB and MP3 devices including Apple iPod generation 4 onwards (iPod, iPod classic, iPod mini, iPod nano, iPod photo, iPod video, iPod touch). Provides intuitive control through the audio system, multi-function steering wheel and Driver's Information System, where fitted. It also replicates the iPod display on the audio screen and DIS, including track titles. The interface provides charging function (dependent on device). Only in combination with Satellite Navigation system – DVD-based. Not available in combination with CD changer, iPod or USB connection | ● | – | ● | ● | ● | ● | S | S | £212.50 | £255.00 |
| | | – | ● | – | – | – | – | – | – | £58.33 | £70.00 |
| | | ● | – | ● | ● | ● | ● | – | – | £270.83 | £325.00 |
| 7A2 | CD changer. For six CDs, located in glovebox and controllable via radio or multi-function steering wheel (if fitted). Cannot be combined with Symphony radio, AMI, iPod or USB connection | – | ● | – | – | – | – | – | – | £116.67 | £140.00 |
| | | – | – | – | – | – | – | ● | ● | No charge | No charge |

Options are subject to availability and may extend delivery.

- = Not available
- = Available
- S = Standard

RRP – Recommended Retail Price.

VAT is calculated at 20% but this may alter to reflect any change in the applicable VAT rate.



iPod connection



Interior equipment

Specify every detail of your car's interior with this range of exclusive options.

Options are subject to availability and may extend delivery.

- = Not available
- = Available
- S = Standard

RRP - Recommended Retail Price.

*Image shown is an S line with S line rear spoiler in black. Standard to Sport trim would have body colour rear section and spoiler.

VAT is calculated at 20% but this may alter to reflect any change in the applicable VAT rate.

| Order Code | | Standard | Technik | SE | Sport | S line | Black Edition | S3 | S3 Black Edition | Basic RRP | Total RRP inc VAT |
|------------|--|----------|---------|----|-------|--------|---------------|----|------------------|-----------|-------------------|
| 3FE | Electric slide-and-tilt sunroof. Includes position pre-selection, tinted glass insert, variable sunshield and convenience closing. Only available on A3 3-door models. | • | • | • | • | • | • | • | • | £487.50 | £585.00 |
| 3FB | Open sky panoramic sunroof*. Comprising glass roof with electric slide-and-tilt control and sunshade at front and rear. Only available on A3 Sportback models. Not available on 1.6 TDI manual Sportback | • | • | • | • | • | • | • | • | £891.67 | £1,070.00 |
| QQ5 | Illuminated vanity mirrors | • | • | • | • | S | S | S | S | £45.83 | £55.00 |
| QQ4 | Interior light package. Includes illuminated door openers, storage compartment, footwell lighting, active door reflectors and illuminated vanity mirrors | • | • | • | • | - | - | - | - | £125.00 | £150.00 |
| PKB | Luggage package. Comprising combi-net for fixing into luggage compartment and 12V socket in boot | - | - | - | - | • | • | • | • | £75.00 | £90.00 |
| PKB | Luggage package. Comprising combi-net for fixing into luggage compartment and 12V socket in boot | • | • | • | • | • | • | • | • | £45.83 | £55.00 |
| QE1 | Storage package. Comprising storage nets on front-seat backrests, storage compartment under driver's seat, map compartment in glovebox, net on side of centre console and bag hooks in luggage compartment. Under-seat storage not available in conjunction with electric seats | • | • | • | • | • | • | • | • | £75.00 | £90.00 |



Open sky panoramic sunroof*



Luggage package

Interior equipment

| Order Code | | Standard | Technik | SE | Sport | S line | Black Edition | S3 | S3 Black Edition | Basic RRP | Total RRP inc VAT |
|------------|--|----------|---------|----|-------|--------|---------------|----|------------------|-----------|-------------------|
| 3Y6 | Rear window blind – manual, built into rear parcel shelf | ● | ● | ● | S | S | S | S | S | £70.83 | £85.00 |
| 3Y3 | Rear window and side window blinds – manual, built into parcel shelf. Only available on Sportback models | ● | ● | ● | – | – | – | – | – | £145.83 | £175.00 |
| 8T2 | Cruise control. For holding any speed above 25mph. Only in combination with Driver's Information System | – | – | – | ● | ● | ● | ● | ● | £70.83 | £85.00 |
| PU7 6XJ | Light and rain sensor package. Includes auto-dimming rear-view mirror and door mirrors, automatic headlight activation, automatic windscreen wipers, coming home/leaving home function and sun band for windscreen | ● | ● | ● | ● | ● | ● | ● | ● | £183.33 | £220.00 |
| 6Q6 | Aluminium gear knob. Only in combination with manual transmission | ● | ● | ● | ● | ● | ● | ● | ● | £275.00 | £330.00 |
| VC1 | Garage door opener (Homelink®*). Programmable radio-operated remote control for compatible doors/gates. Control buttons integrated in the front roof module | – | – | – | ● | ● | ● | – | – | £83.33 | £100.00 |
| | | ● | ● | ● | ● | ● | ● | ● | ● | £150.00 | £180.00 |

Options are subject to availability and may extend delivery.

- = Not available
- = Available
- S = Standard

*Homelink® is a registered trademark of Johnson Controls. For information on compatibility, visit www.homelink.com

RRP – Recommended Retail Price.

VAT is calculated at 20% but this may alter to reflect any change in the applicable VAT rate.



Cruise control



Aluminium gear knob

Interior equipment

| Order Code | | Standard | Technik | SE | Sport | S line | Black Edition | S3 | S3 Black Edition | Basic RRP | Total RRP inc VAT |
|------------|--|----------|---------|----|-------|--------|---------------|----|------------------|-----------|-------------------|
| 6NQ | Cloth headlining – black. Only in combination with illuminated vanity mirrors or interior light package | ● | ● | ● | ● | S | S | – | – | £166.67 | £200.00 |
| PI1 | Driver's Information System (DIS) – monochrome. AutoCheck system, radio frequency, two adjustable speed warning thresholds, outside temperature gauge and on-board computer. Also includes efficiency programme | ● | S | S | S | S | S | S | S | £170.83 | £205.00 |
| 9AK | Dual-zone electronic climate control. Includes separate temperature controls and digital displays for driver and front passenger | ● | ● | ● | S | S | S | S | S | £320.83 | £385.00 |
| 6E3 | Front centre armrest with storage compartment | ● | ● | S | S | S | S | S | S | £83.33 | £100.00 |
| 9JA | Non-smoking package. Replaces ashtray and cigarette lighter with 12V socket and centre storage compartment | ● | ● | ● | ● | ● | ● | ● | ● | No charge | No charge |
| 6SJ | Reversible load floor mat. Luggage compartment floor mat can be reversed to provide a rubber mat which extends to protect rear bumper | ● | ● | ● | ● | ● | ● | ● | ● | £41.67 | £50.00 |
| PZA | Through-load facility. Includes removable ski bag for transporting long objects and rear centre armrest with cup holder | ● | ● | ● | ● | ● | ● | ● | ● | £150.00 | £180.00 |

Options are subject to availability and may extend delivery.

- = Not available
- = Available
- S = Standard

RRP – Recommended Retail Price.

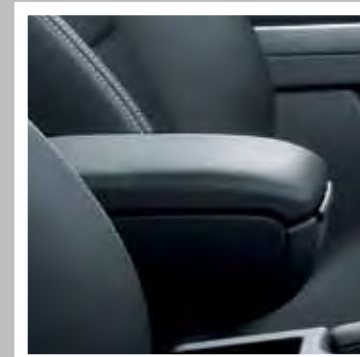
VAT is calculated at 20% but this may alter to reflect any change in the applicable VAT rate.



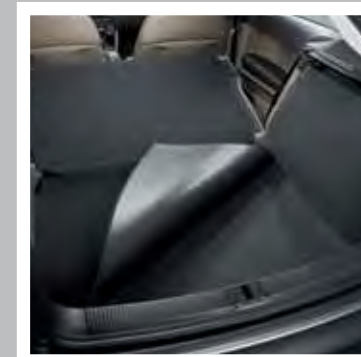
Dual-zone electronic climate control



Driver's Information System (DIS)



Front centre armrest



Reversible load floor mat



Seats

Choose from a variety of different seat options so you can maintain the right driving posture at all times.

Options are subject to availability and may extend delivery.

- = Not available
- = Available
- S = Standard

RRP - Recommended Retail Price.

VAT is calculated at 20% but this may alter to reflect any change in the applicable VAT rate.

| Order Code | | Standard | Technik | SE | Sport | S line | Black Edition | S3 | S3 Black Edition | Basic RRP | Total RRP inc VAT |
|----------------|---|----------|---------|----|-------|--------|---------------|----|------------------|-----------|-------------------|
| 4A3 | Heated front seats. Individually controlled variable temperature adjustment | • | • | • | • | • | • | S | S | £212.50 | £255.00 |
| 4A4 | Heated front and rear seats. Individually controlled variable temperature adjustment | • | • | • | • | • | • | - | - | £375.00 | £450.00 |
| | | - | - | - | - | - | - | • | • | £162.50 | £195.00 |
| 3PE | Electric driver's seat. Includes adjustment for height, forwards and backwards position and backrest angle. Only in combination with through-load system, electronic climate control and electric lumbar support. Only available on Sportback models | • | • | • | • | • | • | • | • | £262.50 | £315.00 |
| 3L5 | Electric front seats. Includes adjustment for height, forwards and backwards position and backrest angle. Only in combination with through-load system, electronic climate control and electric lumbar support. Only available on Sportback models | • | • | • | • | • | • | • | • | £458.33 | £550.00 |
| 7P1 | Electric lumbar support. For front seats with horizontal and vertical adjustment | • | • | • | • | • | • | • | • | £162.50 | £195.00 |
| P55 | Front bucket seats in black Fine Nappa leather upholstery with manual adjustment. Includes through-load facility without ski-bag. Only in combination with first-aid kit. Not available in combination with electric lumbar support or storage package. Please note that this option deletes front side airbags and front seat ISOFIX preparation for front passenger seat | - | - | - | - | - | - | • | • | £1,704.17 | £2,045.00 |
| YSZ S3G | Audi exclusive backrest cover painted in body colour. Only in combination with bucket seats (P55) | • | • | • | • | • | • | • | • | £1,354.17 | £1,625.00 |



Electric driver's seat

Exterior equipment

Make sure your car looks exactly as you want it to by selecting some of our striking options.

| Order Code | | Standard | Technik | SE | Sport | S line | Black Edition | S3 | S3 Black Edition | Basic RRP | Total RRP inc VAT |
|------------|--|----------|---------|----|-------|--------|---------------|----|------------------|-----------|-------------------|
| 8N7 | High-beam assist. Automatically adjusts headlights from high-beam to dipped-beam when another vehicle is approaching. Only in combination with Driver's Information System and light and rain sensor package | ● | ● | ● | ● | ● | ● | ● | ● | £83.33 | £100.00 |
| PX4 | Xenon Plus headlights. Includes LED daytime-running lights, automatic headlight adjustment, dynamic range control and headlight washers | - | - | - | - | ● | S | S | S | £462.50 | £555.00 |
| PX4 | Adaptive headlights. Swivelling headlights for improved illumination of a winding road. Includes Xenon Plus headlights with LED daytime-running lights and headlight washers | ● | ● | ● | ● | - | - | - | - | £850.00 | £1,020.00 |
| 8Q5 | | - | - | - | - | ● | - | - | - | £708.33 | £850.00 |
| | | - | - | - | - | - | ● | ● | ● | £245.83 | £295.00 |
| 3S1 | Aluminium roof rails. Not available with black styling package. Only available on Sportback models | ● | ● | ● | ● | ● | - | ● | - | £191.67 | £230.00 |
| 3S2 | Black roof rails. Only available on Sportback models | ● | ● | ● | ● | ● | ● | ● | ● | £191.67 | £230.00 |
| 4ZM | Black styling package. Radiator grille-frame in highly polished black, with radiator grille, fog-light surrounds and number plate holder in matt black. Also includes door handles in body colour | ● | ● | ● | ● | ● | S | ● | S | £254.17 | £305.00 |
| 2Z0 | Deletion of model and technology designation at rear | ● | ● | ● | ● | ● | ● | - | - | No charge | No charge |
| 6XE | Door mirrors - folding | ● | ● | ● | ● | ● | ● | ● | ● | £104.17 | £125.00 |
| VW1 | Privacy glass. Dark tinted glass from B-pillar backwards | ● | ● | ● | ● | ● | S | ● | S | £275.00 | £330.00 |
| 1D2 | Towing equipment - removable. Factory-fitted and removable. Includes single European 13-pin electrics socket and may require a 13- to 7-pin adaptor. Please consult your Audi Centre for details*. Not available on 1.2 TFSI S line, 1.6 TDI S line or 2.0 TDI 140 PS S line or Black Edition | ● | ● | ● | ● | ● | ● | - | - | £470.83 | £565.00 |

Options are subject to availability and may extend delivery.

- = Not available
- = Available
- S = Standard

*Additional wiring is required for auxiliary equipment.

RRP - Recommended Retail Price.

VAT is calculated at 20% but this may alter to reflect any change in the applicable VAT rate.

Safety and security

Intelligent technology designed to give you better all-round awareness and safety on the road.

Options are subject to availability and may extend delivery.

- = Not available
• = Available
S = Standard

RRP - Recommended Retail Price.

VAT is calculated at 20% but this may alter to reflect any change in the applicable VAT rate.

| Order Code | | Standard | Technik | SE | Sport | S line | Black Edition | S3 | S3 Black Edition | Basic RRP | Total RRP inc VAT |
|------------|---|----------|---------|----|-------|--------|---------------|----|------------------|-----------|-------------------|
| 7X1 | Acoustic parking system (rear only). Aids parking by acoustically indicating distances to obstacles | • | • | • | • | • | • | • | • | £254.17 | £305.00 |
| 7X2 | Acoustic parking system (front and rear). Aids parking by acoustically indicating distances to obstacles. Also includes visual display in combination with Satellite Navigation system - DVD-based (where fitted) | • | • | • | • | • | • | • | • | £445.83 | £535.00 |
| | In combination with comfort package | • | • | • | • | • | • | • | • | £191.67 | £230.00 |
| 7X5 UG4 | Parallel park assist. Sensor-controlled steering aid to assist parallel parking with parking sensors (front and rear) acoustically indicating distances to obstacles. Includes Audi hill-hold assist. Only in combination with Driver's Information System | • | • | • | • | • | • | • | • | £616.67 | £740.00 |
| | In combination with comfort package | • | • | • | • | • | • | • | • | £362.50 | £435.00 |
| UG4 | Audi hill-hold assist. Prevents roll-back on hills for up to 5 seconds by maintaining brake force. Standard on S tronic | • | • | • | • | • | • | • | • | £66.67 | £80.00 |
| 1T3 | First-aid kit | • | • | • | • | • | • | • | • | £20.83 | £25.00 |
| 8WB | Front fog lights | • | • | S | S | S | S | S | S | £116.67 | £140.00 |
| 4X4 | Rear side airbags. Situated in side of rear seats. Only in combination with through-load facility. Only available on Sportback models | • | • | • | • | • | • | • | • | £254.17 | £305.00 |
| 7K6 | Tyre pressure loss indicator. A visual and acoustic warning when the system detects a loss of pressure in an individual tyre. Only in combination with Driver's Information System | • | • | • | • | • | • | • | • | £62.50 | £75.00 |



Steering wheels

You can choose from a selection of advanced leather multi-function steering wheels, allowing you to control your audio system at the touch of a button.

Options are subject to availability and may extend delivery.

- = Not available
- = Available
- S = Standard

*Leather and stitching (where applicable) can be selected from any of the Audi exclusive colours shown on page 38.

RRP – Recommended Retail Price.

VAT is calculated at 20% but this may alter to reflect any change in the applicable VAT rate.

| Order Code | | Standard | Technik | SE | Sport | S line | Black Edition | S3 | S3 Black Edition | Basic RRP | Total RRP inc VAT |
|----------------|---|----------|---------|----|-------|--------|---------------|----|------------------|-----------|-------------------|
| 2ZQ | 4-spoke multi-function steering wheel. Includes Driver's Information System | • | S | S | - | - | - | - | - | £304.17 | £365.00 |
| 2ZS | 4-spoke multi-function steering wheel with gear-shift paddles. S tronic models only – includes Driver's Information System | • | - | S | - | - | - | - | - | £233.33 | £280.00 |
| YRB S3G | Audi exclusive controls package.* Includes leather-covered steering wheel rim, handbrake grip and gear-shift gaiter. Only available on A3 Sportback models | • | • | • | • | • | - | • | - | £512.50 | £615.00 |
| YRH S3G | Audi exclusive leather-covered steering wheel rim*. Only available on A3 Sportback models | • | • | • | • | • | - | • | - | £304.17 | £365.00 |



Audi Complete

Audi Complete is simply a way to look after the servicing and maintenance costs for your Audi in a single package. You pay a one-off or monthly fee and we'll cover all your servicing, maintenance and tyres for the next three years including your first MOT and a full 5-year warranty. It means you only have to pay for fuel, insurance and your Road Fund Licence. So you can be reassured that your car will be maintained by trained Audi Technicians, using genuine Audi parts.

*Retail customers only. Pricing based on 3 years/30,000 miles (whichever occurs sooner). All pricing is a 'starting from' price for the Audi A3 model range and is therefore subject to change and mileage/model dependent.

Warranty

Options are subject to availability and may extend delivery.

- = Not available
• = Available
S = Standard

**Only available prior to registration of your Audi A3. Please speak to your Audi Centre for full details.

RRP - Recommended Retail Price.

VAT is calculated at 20% but this may alter to reflect any change in the applicable VAT rate.

| Order Code | | A3 | S3 | Basic RRP | Total RRP inc VAT |
|------------|---|----|----|-----------|-------------------|
| AC1 | Audi Complete – Service, Maintenance and 5-year warranty. Comprehensive care for your Audi covering all your servicing and maintenance for 3 years, as well as your first MOT and a full 5-year/90,000 mile warranty. Visit your local Audi Centre for further information or audi.co.uk/audicomplete for full details including terms and conditions | • | - | £23.33 | £28.00* |
| | | - | • | £30.83 | £37.00* |
| AC2 | Audi Complete – Service, Maintenance, Tyres and 5-year warranty. Comprehensive care for your Audi covering all your servicing, maintenance and tyres for 3 years, as well as your first MOT and a full 5-year/90,000 mile warranty. Visit your local Audi Centre for further information or audi.co.uk/audicomplete for full details including terms and conditions | • | - | £34.17 | £41.00* |
| | | - | • | £45.00 | £54.00* |

| Order Code | | A3 | S3 | Basic RRP | Total RRP inc VAT |
|------------|--|----|----|-----------|-------------------|
| - | Audi Warranty , covering you for unlimited mileage in the first two years of ownership, and up to 60,000 miles in the third year. Transferable between owners** | S | S | No charge | No charge |
| EA6 | Audi Warranty , covering you for up to 4 years or 75,000 miles, whichever comes soonest. Cover includes a two-year unlimited mileage warranty, and up to 75,000 miles in the third and fourth years. Transferable between owners** | • | • | £204.17 | £245.00 |
| EA9 | Audi Warranty , covering you for up to 5 years or 90,000 miles, whichever comes soonest. Cover includes a two-year unlimited mileage warranty, and up to 90,000 miles in the third, fourth and fifth years. Transferable between owners** | • | • | £454.17 | £545.00 |



Merchandise

From the enthusiasts' motorsport collection to the sophisticated Audi collection, there's a wide variety of adults' and children's clothing, lifestyle accessories and collectables, all of which bear the Audi name.

Please speak to a member of our team at your local Audi Centre to see the full Audi collection and to place an order. A selection of Audi merchandise is also available to buy from audi.co.uk/merchandise.



Audi kids



Bags and leather goods



Clothing



Motorsports



Sport and travel



Model cars

Accessories

Choosing an Audi isn't just a matter of deciding on the model you want; it's about creating a car that suits your needs perfectly. And that's why we've developed a whole range of accessories to enhance your A3, enabling you to customise it down to the last detail. Like your Audi, all these accessories are developed to the highest possible standards. And they're all available exclusively from Audi. To find out more, just visit audi.co.uk/accessories or contact your local Audi Centre.

Warranty

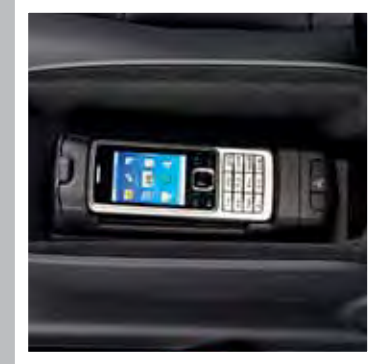
All of the accessories available on the A3 are covered by a three-year warranty* if they are ordered and included in the purchase price of the car at date of delivery. Any accessories ordered and installed after delivery include a two-year warranty.*



Sport and design



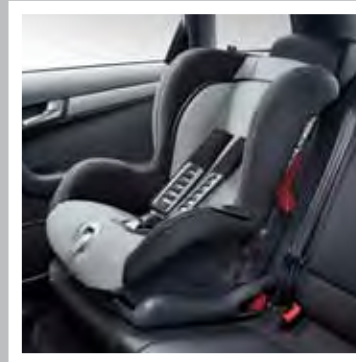
Transport and touring



Entertainment and communication



Comfort and protection



Family



Safety and security

*Excluding Road Angel products.

Audi Accessories warranty terms and conditions can be found at audi.co.uk

A3 Petrol technical data

| Engine | 1.2 TFSI | 1.2 TFSI | 1.4 TFSI | 1.4 TFSI |
|---|----------------|------------------|----------------|------------------|
| Transmission | 6-speed manual | 7-speed S tronic | 6-speed manual | 7-speed S tronic |
| Cylinder | 4-cylinder | 4-cylinder | 4-cylinder | 4-cylinder |
| Displacement, cubic cm (valves per cylinder) | 1197 (2) | 1197 (2) | 1390 (4) | 1390 (4) |
| Max. power ¹ , PS at rpm | 105/5000 | 105/5000 | 125/5000 | 125/5000 |
| Max. torque, Nm at rpm | 175/1550-4100 | 175/1550-4100 | 200/1500-4000 | 200/1500-4000 |
| 0-62mph acceleration, seconds | 11.0 | 10.5 | 9.4 | 9.3 |
| Top speed ² , mph | 119 | 119 | 126 | 126 |
| CO ₂ emissions ³ , g/km | 127 | 123 | 132 | 124 |
| Benefit in kind (BIK)% | 16% | 15% | 17% | 15% |
| Fuel consumption ³ , mpg (l/100km) Urban | 42.2 (6.7) | 43.5 (6.5) | 38.7 (7.3) | 44.1 (6.4) |
| Fuel consumption ³ , mpg (l/100km) Extra Urban | 60.1 (4.7) | 61.4 (4.6) | 58.9 (4.8) | 60.1 (4.7) |
| Fuel consumption ³ , mpg (l/100km) Combined | 51.4 (5.5) | 53.3 (5.3) | 49.6 (5.7) | 53.3 (5.3) |
| ABI insurance group 1-50 ⁴ | 14 E | 14 E | 20 E | 20 E |
| Unladen weight ⁴ , kg | 1205 | 1230 | 1255 | 1270 |
| Gross weight limit, kg | 1765 | 1790 | 1815 | 1830 |
| Roof load limit/nose weight, kg | 75 | 75 | 75 | 75 |
| Max trailer load unbraked ⁵ , kg | 640 | 650 | 660 | 670 |
| Max trailer load with 12% gradient ⁵ , kg | 1200 | 1200 | 1200 | 1200 |
| Max trailer load with 8% gradient ⁵ , kg | 1500 | 1500 | 1500 | 1500 |
| Luggage compartment capacity, rear seats upright, litres | 350 | 350 | 350 | 350 |
| Luggage compartment capacity, rear seats folded, litres | 1080 | 1080 | 1080 | 1080 |
| Fuel tank capacity approx, litres | 55 | 55 | 55 | 55 |

**Electronically limited.

⁴Highest insurance group rating shown. Group may be lower dependent on trim level. Please visit www.thatcham.org/abigrouprating for details.

Please note: The maximum power output figures are quoted in PS (or Pferdestärke, which is the metric equivalent of brake horsepower). To convert to brake horsepower, divide the PS figure by 1.0139.

¹The given value was obtained in accordance with the specified measurement procedure (the respective current version of the Directive 80/1269/EEC).

²Top speed is achieved in top gear.

³Fuel consumption and CO₂ emissions figures are obtained under standardised test conditions (Directive 93/116/EEC) using a representative model. This allows direct comparison between different models from different manufacturers, but may not represent the actual fuel consumption achieved in 'real world' driving conditions. More information is available at www.vca.gov.uk.

⁴Vehicle's unladen weight without driver (calculated in accordance with the current version of Directive 80/1268/EEC). The fitting of additional equipment may increase the vehicle's unladen weight and drag coefficient, whereupon the potential carrying capacity and top speed will be correspondingly reduced.

⁵The engine's power output always goes down with increasing altitude. At 1,000m above sea level, and for every additional 1,000m, deduct 10% from the weight of the outfit (trailer load limit + gross weight of the towing vehicle).

A3 Petrol technical data

| Engine | 1.8 TFSI | 1.8 TFSI | S3 quattro | S3 quattro |
|---|----------------|------------------|----------------|------------------|
| Transmission | 6-speed manual | 7-speed S tronic | 6-speed manual | 6-speed S tronic |
| Cylinder | 4-cylinder | 4-cylinder | 4-cylinder | 4-cylinder |
| Displacement, cubic cm (valves per cylinder) | 1798 (4) | 1798 (4) | 1984 (4) | 1984 (4) |
| Max. power ¹ , PS at rpm | 160/5000-6200 | 160/5000-6200 | 265/6000 | 265/6000 |
| Max. torque, Nm at rpm | 250/1500-4200 | 250/1500-4200 | 350/2500-5000 | 350/2500-5000 |
| 0-62mph acceleration, seconds | 7.6 | 7.5 | 5.7 | 5.5 |
| Top speed ² , mph | 138 | 138 | 155** | 155** |
| CO ₂ emissions ³ , g/km | 152 | 149 | 198 | 193 |
| Benefit in kind (BIK)% | 21% | 20% | 30% | 29% |
| Fuel consumption ³ , mpg (l/100km) Urban | 32.5 (8.7) | 33.2 (8.5) | 23.9 (11.8) | 25.4 (11.1) |
| Fuel consumption ³ , mpg (l/100km) Extra Urban | 53.3 (5.3) | 54.3 (5.2) | 42.8 (6.6) | 42.2 (6.7) |
| Fuel consumption ³ , mpg (l/100km) Combined | 42.8 (6.6) | 43.5 (6.5) | 33.2 (8.5) | 34.0 (8.3) |
| ABI insurance group 1-50 ⁴ | 26 E | 26 E | 36 E | 36 E |
| Unladen weight ⁴ , kg | 1280 | 1295 | 1455 | 1475 |
| Gross weight limit, kg | 1840 | 1855 | 2015 | 2035 |
| Roof load limit/nose weight, kg | 75 | 75 | 75 | 75 |
| Max trailer load unbraked ⁵ , kg | 670 | 680 | - | - |
| Max trailer load with 12% gradient ⁵ , kg | 1400 | 1400 | - | - |
| Max trailer load with 8% gradient ⁵ , kg | 1700 | 1700 | - | - |
| Luggage compartment capacity, rear seats upright, litres | 350 | 350 | 281 | 281 |
| Luggage compartment capacity, rear seats folded, litres | 1080 | 1080 | 1011 | 1011 |
| Fuel tank capacity approx, litres | 55 | 55 | 60 | 60 |

**Electronically limited.

⁴Highest insurance group rating shown. Group may be lower dependent on trim level. Please visit www.thatcham.org/abigrouprating for details.

Please note: The maximum power output figures are quoted in PS (or Pferdestärke, which is the metric equivalent of brake horsepower). To convert to brake horsepower, divide the PS figure by 1.0139.

¹The given value was obtained in accordance with the specified measurement procedure (the respective current version of the Directive 80/1269/EEC).

²Top speed is achieved in top gear.

³Fuel consumption and CO₂ emissions figures are obtained under standardised test conditions (Directive 93/116/EEC) using a representative model. This allows direct comparison between different models from different manufacturers, but may not represent the actual fuel consumption achieved in 'real world' driving conditions. More information is available at www.vca.gov.uk.

⁴Vehicle's unladen weight without driver (calculated in accordance with the current version of Directive 80/1268/EEC). The fitting of additional equipment may increase the vehicle's unladen weight and drag coefficient, whereupon the potential carrying capacity and top speed will be correspondingly reduced.

⁵The engine's power output always goes down with increasing altitude. At 1,000m above sea level, and for every additional 1,000m, deduct 10% from the weight of the outfit (trailer load limit + gross weight of the towing vehicle).

A3 Diesel technical data

| Engine | 1.6 TDI | 1.6 TDI | 2.0 TDI | 2.0 TDI | 2.0 TDI |
|---|----------------|------------------|----------------|------------------|----------------|
| Transmission | 5-speed manual | 7-speed S tronic | 6-speed manual | 6-speed S tronic | 6-speed manual |
| Cylinder | 4-cylinder | 4-cylinder | 4-cylinder | 4-cylinder | 4-cylinder |
| Displacement, cubic cm (valves per cylinder) | 1598 (4) | 1598 (4) | 1968 (4) | 1968 (4) | 1968 (4) |
| Max. power ² , PS at rpm | 105/4400 | 105/4400 | 140/4200 | 140/4200 | 170/4200 |
| Max. torque, Nm at rpm | 250/1500-2500 | 250/1500-2500 | 320/1750-2500 | 320/1750-2500 | 350/1750-2500 |
| 0-62mph acceleration, seconds | 11.4 | 11.7 | 8.9 | 8.7 | 8.0 |
| Top speed ² , mph | 121 | 121 | 130 | 130 | 139 |
| CO ₂ emissions ³ , g/km | 109 | 109 | 115 | 129 | 123 |
| Benefit in kind (BIK)% | 15% | 15% | 17% | 19% | 18% |
| Fuel consumption ³ , mpg (l/100km) Urban | 56.5 (5.0) | 62.8 (4.5) | 51.4 (5.5) | 48.7 (5.8) | 49.6 (5.7) |
| Fuel consumption ³ , mpg (l/100km) Extra Urban | 76.3 (3.7) | 72.4 (3.9) | 74.3 (3.8) | 64.2 (4.4) | 67.3 (4.2) |
| Fuel consumption ³ , mpg (l/100km) Combined | 68.9 (4.1) | 67.3 (4.2) | 64.2 (4.4) | 57.6 (4.9) | 60.1 (4.7) |
| ABI insurance group 1-50 ⁴ | 18 E | 18 E | 24 E | 24 E | 27 E |
| Unladen weight ⁴ , kg | 1280 | 1300 | 1320 | 1345 | 1335 |
| Roof load limit/nose weight, kg | 75 | 75 | 75 | 75 | 75 |
| Gross weight limit, kg | 1840 | 1860 | 1880 | 1905 | 1895 |
| Max trailer load unbraked ⁵ , kg | 670 | 680 | 690 | 710 | 700 |
| Max trailer load with 12% gradient ⁵ , kg | 1400 | 1400 | 1400 | 1400 | 1400 |
| Max trailer load with 8% gradient ⁵ , kg | 1700 | 1700 | 1700 | 1700 | 1700 |
| Luggage compartment capacity, rear seats upright, litres | 350 | 350 | 350 | 350 | 350 |
| Luggage compartment capacity, rear seats folded, litres | 1080 | 1080 | 1080 | 1080 | 1080 |
| Fuel tank capacity approx, litres | 55 | 55 | 55 | 55 | 55 |

**Electronically limited.

[†]Highest insurance group rating shown. Group may be lower dependent on trim level. Please visit www.thatcham.org/abigrouprating for details.

Please note: The maximum power output figures are quoted in PS (or Pferdestärke, which is the metric equivalent of brake horsepower). To convert to brake horsepower, divide the PS figure by 1.0139.

¹The given value was obtained in accordance with the specified measurement procedure (the respective current version of the Directive 80/1269/EEC).

²Top speed is achieved in top gear.

³Fuel consumption and CO₂ emissions figures are obtained under standardised test conditions (Directive 93/116/EEC) using a representative model. This allows direct comparison between different models from different manufacturers, but may not represent the actual fuel consumption achieved in 'real world' driving conditions. More information is available at www.vca.gov.uk.

⁴Vehicle's unladen weight without driver (calculated in accordance with the current version of Directive 80/1268/EEC). The fitting of additional equipment may increase the vehicle's unladen weight and drag coefficient, whereupon the potential carrying capacity and top speed will be correspondingly reduced.

⁵The engine's power output always goes down with increasing altitude. At 1,000m above sea level, and for every additional 1,000m, deduct 10% from the weight of the outfit (trailer load limit + gross weight of the towing vehicle).

A3 Sportback Petrol technical data

| Engine | 1.6 | 1.2 TFSI | 1.2 TFSI | 1.4 TFSI | 1.4 TFSI |
|---|----------------|----------------|------------------|----------------|------------------|
| Transmission | 5-speed manual | 6-speed manual | 7-speed S tronic | 6-speed manual | 7-speed S tronic |
| Cylinder | 4-cylinder | 4-cylinder | 4-cylinder | 4-cylinder | 4-cylinder |
| Displacement, cubic cm (valves per cylinder) | 1595 (2) | 1197 (2) | 1197 (2) | 1390 (4) | 1390 (4) |
| Max. power ¹ , PS at rpm | 102/5600 | 105/5000 | 105/5000 | 125/5000 | 125/5000 |
| Max. torque, Nm at rpm | 148/3800 | 175/1550-4100 | 175/1550-4100 | 200/1500-4000 | 200/1500-4000 |
| 0-62mph acceleration, seconds | 12.1 | 11.3 | 10.8 | 9.6 | 9.5 |
| Top speed ² , mph | 115 | 119 | 119 | 126 | 126 |
| CO ₂ emissions ³ , g/km | 164 | 127 | 123 | 134 | 127 |
| Benefit in kind (BIK)% | 23% | 16% | 15% | 17% | 16% |
| Fuel consumption ³ , mpg (l/100km) Urban | 30.1 (9.4) | 42.2 (6.7) | 43.5 (6.5) | 38.7 (7.3) | 42.8 (6.6) |
| Fuel consumption ³ , mpg (l/100km) Extra Urban | 50.4 (5.6) | 60.1 (4.7) | 61.4 (4.6) | 57.6 (4.9) | 58.9 (4.8) |
| Fuel consumption ³ , mpg (l/100km) Combined | 40.4 (7.0) | 51.4 (5.5) | 53.3 (5.3) | 48.7 (5.8) | 51.4 (5.5) |
| ABI insurance group 1-50 ⁴ | 14 E* | 14 E* | 14 E* | 19 E* | 19 E* |
| Unladen weight ⁴ , kg | 1225 | 1245 | 1270 | 1295 | 1310 |
| Roof load limit/nose weight, kg | 75 | 75 | 75 | 75 | 75 |
| Gross weight limit, kg | 1785 | 1805 | 1830 | 1855 | 1870 |
| Max trailer load unbraked ⁵ , kg | 650 | 660 | 670 | 680 | 690 |
| Max trailer load with 12% gradient ⁵ , kg | 1200 | 1200 | 1200 | 1200 | 1200 |
| Max trailer load with 8% gradient ⁵ , kg | 1500 | 1500 | 1500 | 1500 | 1500 |
| Luggage compartment capacity, rear seats upright, litres | 370 | 370 | 370 | 370 | 370 |
| Luggage compartment capacity, rear seats folded, litres | 1100 | 1100 | 1100 | 1100 | 1100 |
| Fuel tank capacity approx, litres | 55 | 55 | 55 | 55 | 55 |

*S line models = 8E

**Electronically limited.

[†]Highest insurance group rating shown. Group may be lower dependent on trim level. Please visit www.thatcham.org/abigrouprating for details.

Please note: The maximum power output figures are quoted in PS (or Pferdestärke, which is the metric equivalent of brake horsepower). To convert to brake horsepower, divide the PS figure by 1.0139.

¹The given value was obtained in accordance with the specified measurement procedure (the respective current version of the Directive 80/1269/EEC).

²Top speed is achieved in top gear.

³Fuel consumption and CO₂ emissions figures are obtained under standardised test conditions (Directive 93/116/EEC) using a representative model. This allows direct comparison between different models from different manufacturers, but may not represent the actual fuel consumption achieved in 'real world' driving conditions. More information is available at www.vca.gov.uk.

⁴Vehicle's unladen weight without driver (calculated in accordance with the current version of Directive 80/1268/EEC). The fitting of additional equipment may increase the vehicle's unladen weight and drag coefficient, whereupon the potential carrying capacity and top speed will be correspondingly reduced.

⁵The engine's power output always goes down with increasing altitude. At 1,000m above sea level, and for every additional 1,000m, deduct 10% from the weight of the outfit (trailer load limit + gross weight of the towing vehicle).

A3 Sportback Petrol technical data

| Engine | 1.8 TFSI | 1.8 TFSI | 2.0 TFSI | 2.0 TFSI | 2.0 TFSI quattro | S3 quattro | S3 quattro |
|---|----------------|------------------|----------------|------------------|------------------|----------------|------------------|
| Transmission | 6-speed manual | 7-speed S tronic | 6-speed manual | 6-speed S tronic | 6-speed S tronic | 6-speed manual | 6-speed S tronic |
| Cylinder | 4-cylinder | 4-cylinder | 4-cylinder | 4-cylinder | 4-cylinder | 4-cylinder | 4-cylinder |
| Displacement, cubic cm (valves per cylinder) | 1798 (4) | 1798 (4) | 1984 (4) | 1984 (4) | 1984 (4) | 1984 (4) | 1984 (4) |
| Max. power ¹ , PS at rpm | 160/5000-6200 | 160/5000-6200 | 200/5100-6000 | 200/5100-6000 | 200/5100-6000 | 265/6000 | 265/6000 |
| Max. torque, Nm at rpm | 250/1500-4200 | 250/1500-4200 | 280/1700-5000 | 280/1700-5000 | 280/1700-5000 | 350/2500-5000 | 350/2500-5000 |
| 0-62mph acceleration, seconds | 7.8 | 7.7 | 7.1 | 6.9 | 6.7 | 5.8 | 5.6 |
| Top speed ² , mph | 138 | 138 | 148 | 148 | 147 | 155** | 155** |
| CO ₂ emissions ³ , g/km | 153 | 149 | 168 | 168 | 176 | 199 | 195 |
| Benefit in kind (BIK)% | 21% | 20% | 24% | 24% | 26% | 30% | 30% |
| Fuel consumption ³ , mpg (l/100km) Urban | 32.5 (8.7) | 33.2 (8.5) | 28.5 (9.9) | 28.8 (9.8) | 28.2 (10.0) | 23.9 (11.8) | 25.2 (11.2) |
| Fuel consumption ³ , mpg (l/100km) Extra Urban | 53.3 (5.3) | 54.3 (5.2) | 50.4 (5.6) | 49.6 (5.7) | 45.6 (6.2) | 42.2 (6.7) | 41.5 (6.8) |
| Fuel consumption ³ , mpg (l/100km) Combined | 42.8 (6.6) | 43.5 (6.5) | 39.2 (7.2) | 39.2 (7.2) | 37.2 (7.6) | 33.2 (8.5) | 33.6 (8.4) |
| ABI insurance group 1-50 ⁴ | 25 E | 25 E | 29 E | 29 E | 29 E | 36 E | 36 E |
| Unladen weight ⁴ , kg | 1320 | 1335 | 1335 | 1370 | 1455 | 1495 | 1515 |
| Roof load limit/nose weight, kg | 75 | 75 | 75 | 75 | 75 | 75 | 75 |
| Gross weight limit, kg | 1880 | 1895 | 1895 | 1930 | 2015 | 2055 | 2075 |
| Max trailer load unbraked ⁵ , kg | 690 | 700 | 700 | 720 | 750 | - | - |
| Max trailer load with 12% gradient ⁵ , kg | 1400 | 1400 | 1500 | 1500 | 1500 | - | - |
| Max trailer load with 8% gradient ⁵ , kg | 1700 | 1700 | 1800 | 1800 | 1800 | - | - |
| Luggage compartment capacity, rear seats upright, litres | 370 | 370 | 370 | 370 | 302 | 302 | 302 |
| Luggage compartment capacity, rear seats folded, litres | 1100 | 1100 | 1100 | 1100 | 1032 | 1032 | 1032 |
| Fuel tank capacity approx, litres | 55 | 55 | 55 | 55 | 60 | 60 | 60 |

**Electronically limited.

⁴Highest insurance group rating shown. Group may be lower dependent on trim level. Please visit www.thatcham.org/abigrouprating for details.

Please note: The maximum power output figures are quoted in PS (or Pferdestärke, which is the metric equivalent of brake horsepower). To convert to brake horsepower, divide the PS figure by 1.0139.

¹The given value was obtained in accordance with the specified measurement procedure (the respective current version of the Directive 80/1269/EEC).

²Top speed is achieved in top gear.

³Fuel consumption and CO₂ emissions figures are obtained under standardised test conditions (Directive 93/116/EEC) using a representative model. This allows direct comparison between different models from different manufacturers, but may not represent the actual fuel consumption achieved in 'real world' driving conditions. More information is available at www.vca.gov.uk.

⁴Vehicle's unladen weight without driver (calculated in accordance with the current version of Directive 80/1268/EEC). The fitting of additional equipment may increase the vehicle's unladen weight and drag coefficient, whereupon the potential carrying capacity and top speed will be correspondingly reduced.

⁵The engine's power output always goes down with increasing altitude. At 1,000m above sea level, and for every additional 1,000m, deduct 10% from the weight of the outfit (trailer load limit + gross weight of the towing vehicle).

A3 Sportback Diesel technical data

| Engine | 1.6 TDI | 1.6 TDI | 2.0 TDI | 2.0 TDI | 2.0 TDI | 2.0 TDI | 2.0 TDI quattro |
|---|----------------|------------------|----------------|------------------|----------------|------------------|-----------------|
| Transmission | 5-speed manual | 7-speed S tronic | 6-speed manual | 6-speed S tronic | 6-speed manual | 6-speed S tronic | 6-speed manual |
| Cylinder | 4-cylinder | 4-cylinder | 4-cylinder | 4-cylinder | 4-cylinder | 4-cylinder | 4-cylinder |
| Displacement, cubic cm (valves per cylinder) | 1598 (4) | 1598 (4) | 1968 (4) | 1968 (4) | 1968 (4) | 1968 (4) | 1968 (4) |
| Max. power ¹ , PS at rpm | 105/4400 | 105/4400 | 140/4200 | 140/4200 | 170/4200 | 170/4200 | 170/4200 |
| Max. torque, Nm at rpm | 250/1500-2500 | 250/1500-2500 | 320/1750-2500 | 320/1750-2500 | 350/1750-2500 | 350/1750-2500 | 350/1750-2500 |
| 0-62mph acceleration, seconds | 11.7 | 11.8 | 9.1 | 8.9 | 8.1 | 7.7 | 7.9 |
| Top speed ² , mph | 121 | 121 | 130 | 130 | 139 | 139 | 139 |
| CO ₂ emissions ³ , g/km | 109 | 112 | 115 | 129 | 123 | 130 | 135 |
| Benefit in kind (BIK)% | 15% | 16% | 17% | 19% | 18% | 20% | 21% |
| Fuel consumption ³ , mpg (l/100km) Urban | 56.5 (5.0) | 57.6 (4.9) | 51.4 (5.5) | 48.7 (5.8) | 49.6 (5.7) | 50.4 (5.6) | 46.3 (6.1) |
| Fuel consumption ³ , mpg (l/100km) Extra Urban | 76.3 (3.7) | 72.4 (3.9) | 74.3 (3.8) | 64.2 (4.4) | 67.3 (4.2) | 61.4 (4.6) | 61.4 (4.6) |
| Fuel consumption ³ , mpg (l/100km) Combined | 68.9 (4.1) | 65.7 (4.3) | 64.2 (4.4) | 57.6 (4.9) | 60.1 (4.7) | 56.5 (5.0) | 54.3 (5.2) |
| ABI insurance group 1-50 ⁴ | 19 E* | 19 E* | 24 E | 24 E | 26 E | 26 E | 26 E |
| Unladen weight ⁴ , kg | 1320 | 1340 | 1360 | 1385 | 1375 | 1395 | 1465 |
| Roof load limit/nose weight, kg | 75 | 75 | 75 | 75 | 75 | 75 | 75 |
| Gross weight limit, kg | 1880 | 1900 | 1920 | 1945 | 1935 | 1955 | 2025 |
| Max trailer load unbraked ⁵ , kg | - | 700 | 710 | 730 | 720 | 730 | 750 |
| Max trailer load with 12% gradient ⁵ , kg | - | 1400 | 1400 | 1400 | 1400 | 1400 | 1600 |
| Max trailer load with 8% gradient ⁵ , kg | - | 1700 | 1700 | 1700 | 1700 | 1700 | 1800 |
| Luggage compartment capacity, rear seats upright, litres | 370 | 370 | 370 | 370 | 370 | 370 | 302 |
| Luggage compartment capacity, rear seats folded, litres | 1100 | 1100 | 1100 | 1100 | 1100 | 1100 | 1032 |
| Fuel tank capacity approx, litres | 55 | 55 | 55 | 55 | 55 | 55 | 60 |

*S line models = 12E.

**Electronically limited.

⁴Highest insurance group rating shown. Group may be lower dependent on trim level. Please visit www.thatcham.org/abigrouprating for details.

Please note: The maximum power output figures are quoted in PS (or Pferdestärke, which is the metric equivalent of brake horsepower). To convert to brake horsepower, divide the PS figure by 1.0139.

¹The given value was obtained in accordance with the specified measurement procedure (the respective current version of the Directive 80/1269/EEC).

²Top speed is achieved in top gear.

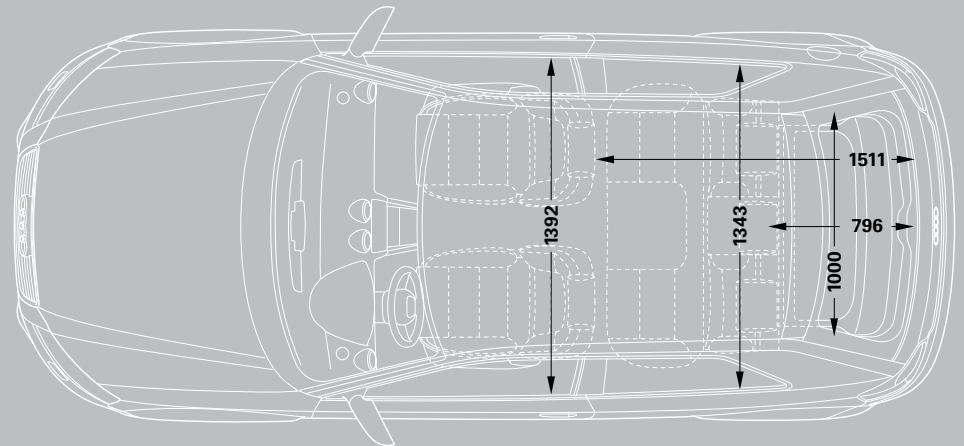
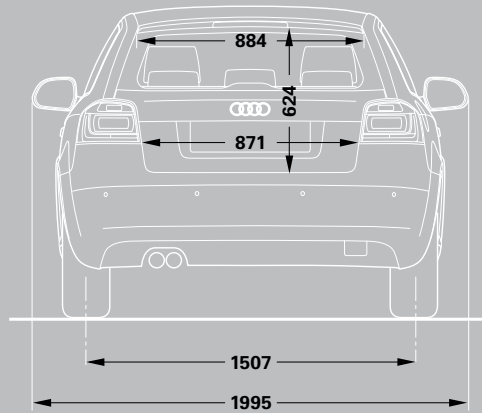
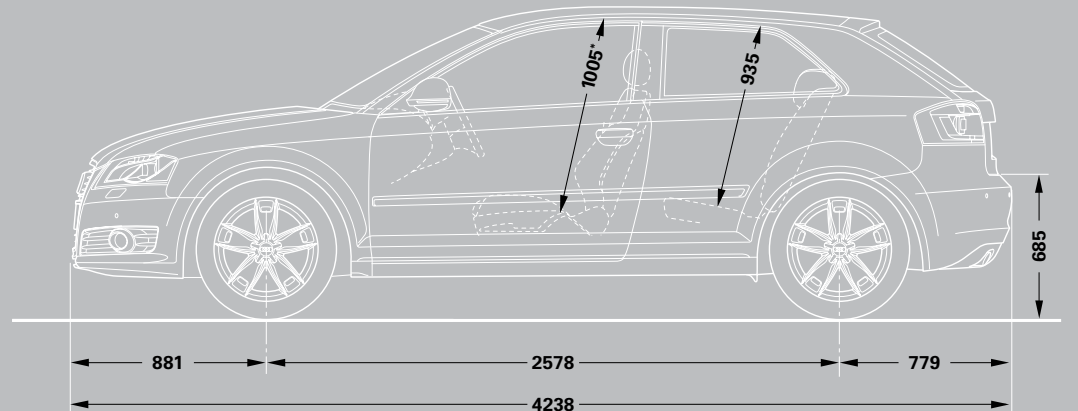
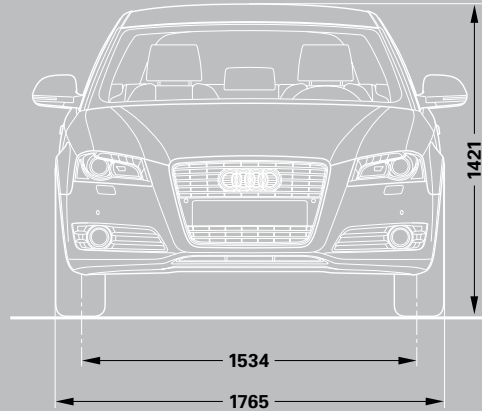
³Fuel consumption and CO₂ emissions figures are obtained under standardised test conditions (Directive 93/116/EEC) using a representative model. This allows direct comparison between different models from different manufacturers, but may not represent the actual fuel consumption achieved in 'real world' driving conditions. More information is available at www.vca.gov.uk.

⁴Vehicle's unladen weight without driver (calculated in accordance with the current version of Directive 80/1268/EEC). The fitting of additional equipment may increase the vehicle's unladen weight and drag coefficient, whereupon the potential carrying capacity and top speed will be correspondingly reduced.

⁵The engine's power output always goes down with increasing altitude. At 1,000m above sea level, and for every additional 1,000m, deduct 10% from the weight of the outfit (trailer load limit + gross weight of the towing vehicle).

A3 dimensions

The technical drawings opposite show the exact dimensions of the Audi A3, so you can check everything - from whether the car will fit in your garage to whether your luggage will fit in the boot.



Dimensions were measured with vehicle at unladen weight.

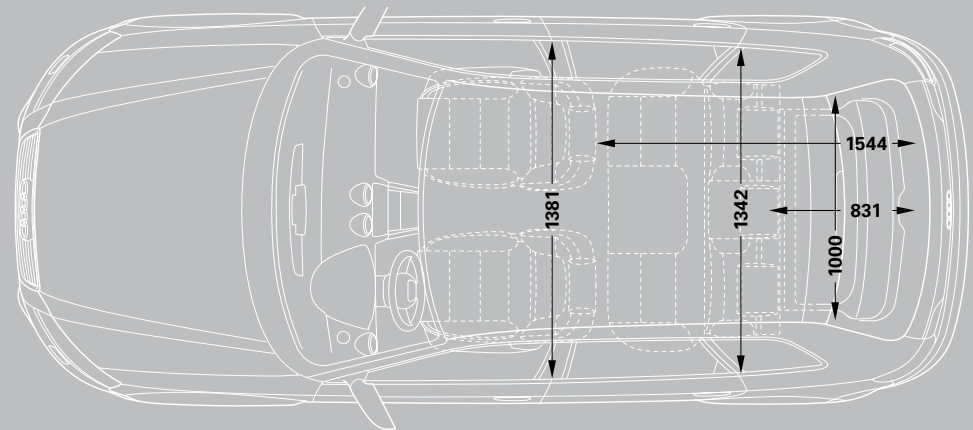
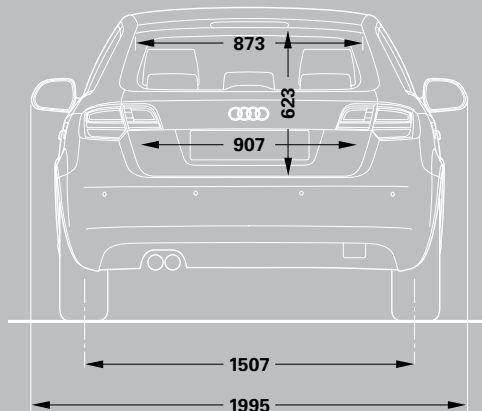
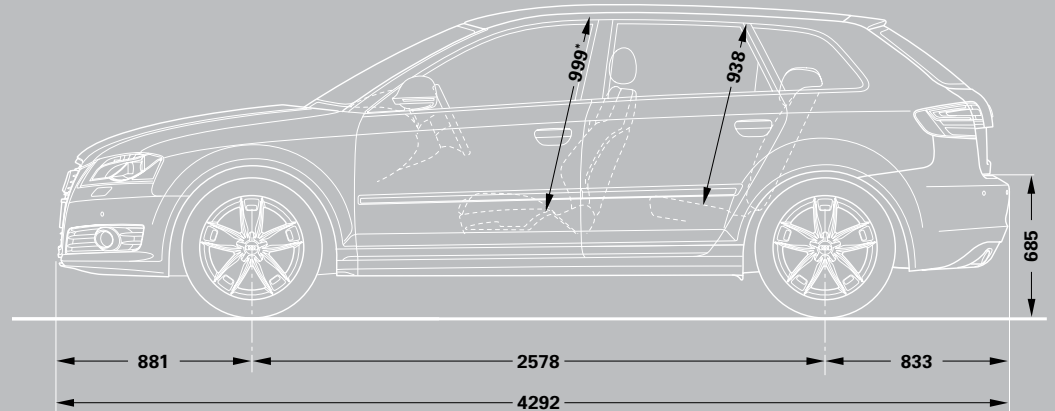
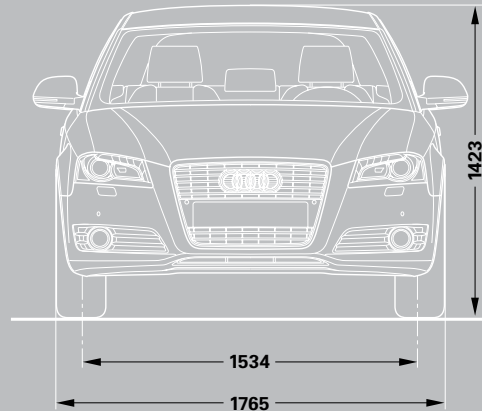
Turning circle approx 10.7m.

Dimensions in millimetres.

*Maximum headroom.

A3 Sportback dimensions

The technical drawings opposite show the exact dimensions of the Audi A3 Sportback, so you can check everything – from whether the car will fit in your garage to whether your luggage will fit in the boot.



Dimensions were measured with vehicle at unladen weight.

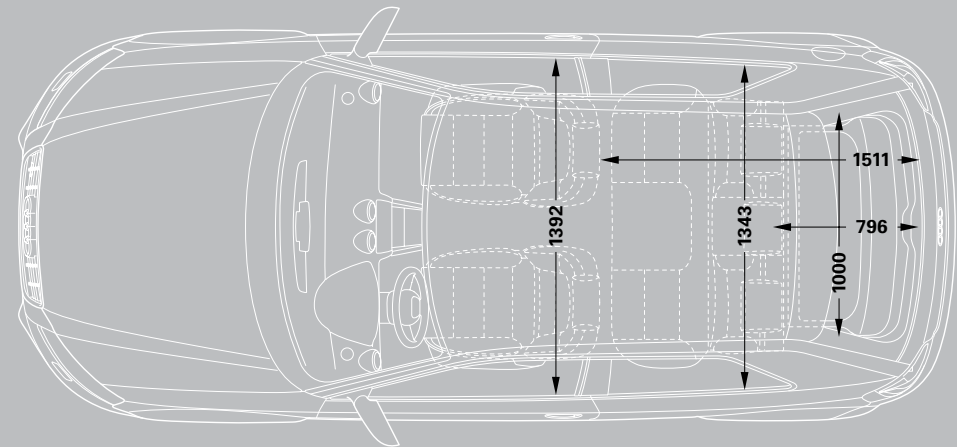
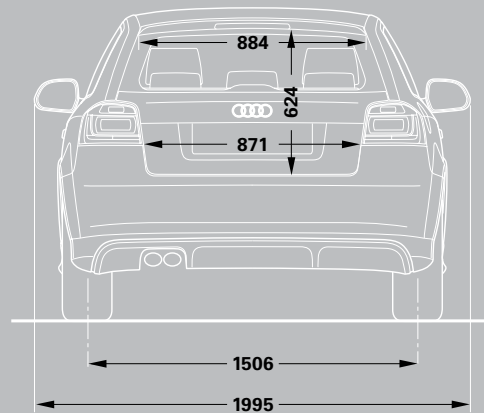
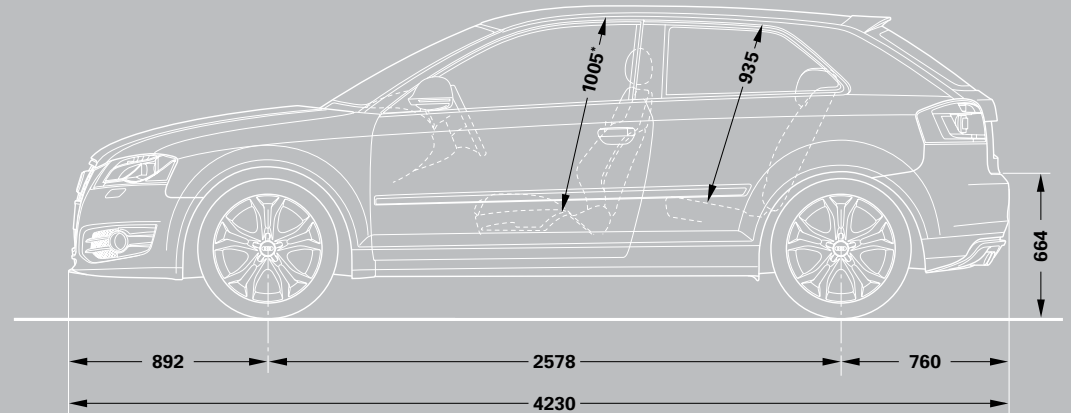
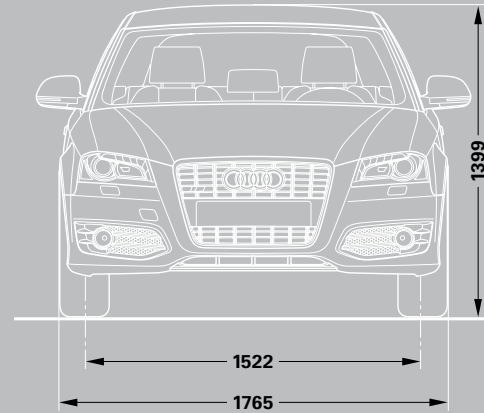
Turning circle approx 10.7m.

Dimensions in millimetres.

*Maximum headroom.

S3 dimensions

The technical drawings opposite show the exact dimensions of the Audi S3, so you can check everything – from whether the car will fit in your garage to whether your luggage will fit in the boot.



Dimensions were measured with vehicle at unladen weight.

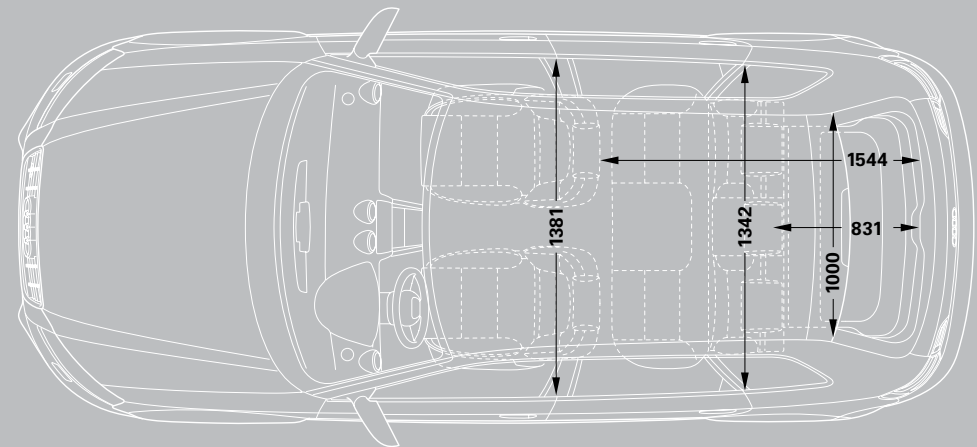
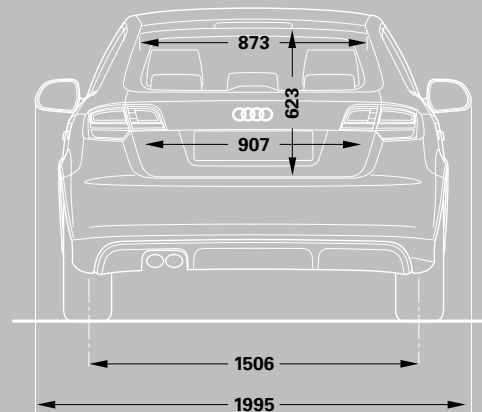
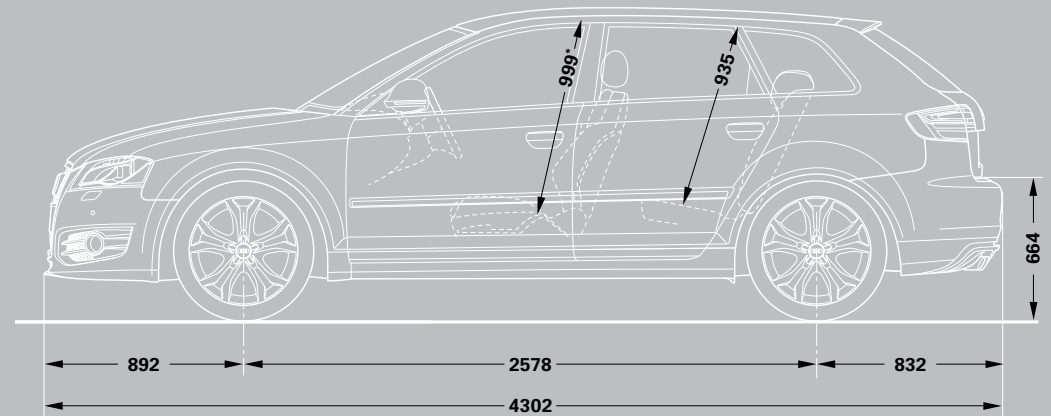
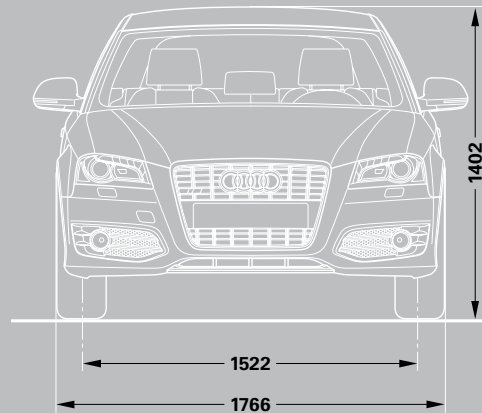
Turning circle approx 10.7m.

Dimensions in millimetres.

*Maximum headroom.

S3 Sportback dimensions

The technical drawings opposite show the exact dimensions of the Audi S3 Sportback, so you can check everything – from whether the car will fit in your garage to whether your luggage will fit in the boot.



Dimensions were measured with vehicle at unladen weight.

Turning circle approx 10.7m.

Dimensions in millimetres.

*Maximum headroom.

Additional information

CO₂ data and information

CO₂ emissions-based Vehicle Excise Duty

Vehicle Excise Duty (Road Fund Licence) is based upon the amount of Carbon Dioxide (CO₂) a vehicle emits, measured in grams per kilometre (g/km). First year VED rates apply to the first year of ownership. Annual VED rates apply thereafter. The DVLA has created thirteen categories:

| Petrol and Diesel engines | First year | Annual rate (second year onwards) |
|---------------------------|------------|-----------------------------------|
| A – up to 100g/km | £0.00 | £0.00 |
| B – 101 to 110g/km | £0.00 | £20.00 |
| C – 111 to 120g/km | £0.00 | £30.00 |
| D – 121 to 130g/km | £0.00 | £100.00 |
| E – 131 to 140g/km | £120.00 | £120.00 |
| F – 141 to 150g/km | £135.00 | £135.00 |
| G – 151 to 165g/km | £170.00 | £170.00 |
| H – 166 to 175g/km | £275.00 | £195.00 |
| I – 176 to 185g/km | £325.00 | £215.00 |
| J – 186 to 200g/km | £460.00 | £250.00 |
| K – 201 to 225g/km | £600.00 | £270.00 |
| L – 226 to 255g/km | £815.00 | £460.00 |
| M – over 255g/km | £1,030.00 | £475.00 |

Vehicle Excise Duty (VED) rates correct at time of going to print, but these may alter to reflect any change in the applicable VED rate

Servicing tailored to your needs

Regular servicing is key to safeguarding your Audi's performance and a full Audi service history could help you preserve the future re-sale value. To make servicing easy, the Audi Service Schedules have been designed to work with your individual driving style and vehicle.

There are two schedules available and your Audi Centre will advise which schedule is most suited to your needs. The conventional fixed Audi Inspection Service schedule has fixed intervals for the Oil-change and Inspection Service that are based on

time and distance, whichever comes first. With the Audi LongLife Service schedule, sensors take account of driving style and conditions in which the vehicle is used to indicate when the Oil-change Service is required. Oil-change Service intervals are therefore variable and are conveniently indicated via the on-board service interval display.

Audi Complete

When selecting the option of Audi Complete your vehicle should be placed on the following service schedules dependent on your mileage per annum:

- ▶ Under 10,000 miles per annum – Fixed Inspection Service Schedule
- ▶ Over 10,000 miles per annum – LongLife Service Schedule

| Fixed Inspection Service Schedule | | Variable LongLife Service Schedule | |
|-----------------------------------|---|------------------------------------|--|
| | Vehicle usage: | | Vehicle usage: |
| Mileage | Less than 10,000 miles per annum | Mileage | More than 10,000 miles per annum |
| Type of journey | Mainly city/town centre driving. Short journeys | Type of journey | Motorway and main road driving. Mainly longer distance journeys. Constant speeds |
| Conditions | Frequent cold starts. High engine loading – e.g. frequent hill climbs, vehicle fully loaded, towing | Conditions | Normal engine loading – e.g. with little or no towing, with little or no hill climbs. Normal vehicle loading |
| Driving style | Uneconomical – e.g. heavy acceleration, heavy braking, constant changes in speed, constant use of high revs, 'sporty' driving | Driving style | Moderate acceleration, moderate braking, engine revs mainly below 3,000 |
| | Service Intervals: | | Service Intervals: |
| Oil-change Service | Fixed to every 9,000* miles/1 year | Oil-change Service | Variable to a maximum of every 19,000* miles/2 years |
| Inspection Service | Fixed to every 19,000* miles/2 years | Inspection Service | Fixed to every 19,000* miles/2 years |

*As indicated by the service interval display. Mileages are approximate as the Service Indicator system uses kilometres as its distance measurement.

Additional information

Welcome to Audi

By placing an order for your Audi, you're choosing to get behind the wheel of one of the most sophisticated cars on the road. And because we believe the service we offer should be just as advanced, we wanted to let you know exactly what you can expect from us, now and in the future.

We've agreed a set of standards with all our Centres, which governs the way we do business with you. It outlines the kind of service we promise to deliver for every customer, right down to filling each new Audi we sell with half a tank of fuel.

So whether you're interested in the date your car will arrive in the UK or the way we'll dispose of non-biodegradable materials after we service your Audi, you can have total confidence in us.

Audi Promise

Audi Centres

We guarantee that all of our Centres will be open as follows:

Sales: Monday to Friday 9am–6pm
Saturday 9am–5pm

Service: Monday to Friday 8am–6pm
Saturday 8.30am–1pm

Sunday opening is at local discretion.

New car delivery

Once we've confirmed a delivery date for your car, we'll keep you informed of progress. Subject to reasonable notice, we'll then deliver it to a place of your choice, whether that's your home or place of work. In the unlikely event of a delay, we'll provide a courtesy car to minimise inconvenience and keep you mobile.

The experts in Vorsprung durch Technik

Would you entrust your Audi to anyone who hasn't been regularly trained to Audi standards? Our network of Audi Approved Master Technicians have undergone an impressive 100,000 hours of training over a 10-year programme to ensure they have the latest technical expertise for maintaining and servicing your Audi. All of our Service Advisors undergo a specialist induction and training to ensure they are Audi professionals and able to talk to you about any issues you may have with your Audi vehicle. What's more, we have so much expertise and experience in looking after Audi vehicles that we are able to make a note of your mileage and the state of your vehicle as and when we see it and predict when certain key events may occur. As part of our commitment to you, we will notify you in plenty of time so you can make an appointment with us.

Your convenience comes first

At Audi you can choose from a range of convenient services that suit your needs. Why not book a 'service while you wait' appointment* and enjoy our complimentary refreshments while your car is with us? Or, if you need to be mobile, take advantage of one of our courtesy cars which we can even collect and deliver to you.* We guarantee we can service your Audi within 5 days without a courtesy car, or within 10 days if you need transport. We will also ensure your car is returned to you with a full valet.

Audi Genuine Parts

Would you put a part into your Audi that wasn't the same quality as the factory fitted original? You can rest assured that only Audi Genuine Parts will be used on your vehicle. What's more, Audi parts and labour come with a 2-year guarantee.** We stock a wide variety of parts, so we are well covered. However, if we don't have a part in stock at our Centre we have the back-up of parts at other Audi Centres, at our national warehouse and our factory and can usually source the relevant part very quickly.

We don't like surprises either

We believe strongly in transparency and there will be no hidden costs. For added peace of mind, we will give you a quotation over the phone for the work you have requested and email you the price confirmation. We'll consult you if any additional work on your car is needed when it is with us. We won't carry out any extra work without asking your permission first.

The Audi Stamp

Regular servicing is key to safeguarding your Audi's performance and a full Audi service history could help you preserve the future re-sale value of your car. Only the Audi Stamp will prove your approved Audi service history.

Getting better every time

We continually gather feedback from our Audi Trained Technicians, as well as our customers, to ensure our vehicles are running as they should. Whenever we see an Audi for a service, we connect it directly to our headquarters in Ingolstadt which enables us to check your car's software and make sure it's as up-to-date as possible. If the factory has released a software upgrade for your model, it can be applied immediately – improving anything from your car's efficiency to the precision of its parking system.

Environmental commitment

We promise to dispose of all non-biodegradable materials from your vehicle in a responsible manner.

*Subject to availability.

**Excludes wear and tear.

Pricing information

Pricing

Prices and specifications given are correct at the time of printing. Always check details with your Audi Centre, as Audi policies are continually developing. We reserve the right to change prices or specifications at any time.

All prices are subject to VAT, currently charged at 20% but this may alter to reflect any change in the applicable VAT rate.

Delivery charges and number plates are not included in the vehicle price.

| | |
|-----------------|---------|
| Delivery charge | £471.66 |
| Number plate | £20.00 |
| VAT | £98.34 |
| Total | £590.00 |

Audi Roadside Assistance

Your new car comes complete with 3 years' complimentary roadside assistance and recovery across the UK provided by RAC Motoring Services. Also included is roadside assistance throughout Europe, managed by RAC Motoring Services.

For further information and terms and conditions please visit audi.co.uk

Audi Customer Care

Every new Audi benefits from the comprehensive Audi Customer Care Package, which comprises:

- ▶ A 3-year Audi warranty, which covers you for unlimited mileage in the first 2 years of ownership, with a full mechanical and electrical warranty which covers you for up to 60,000 miles in the 3rd year

- ▶ A 3-year paint warranty
- ▶ A 12-year anti-corrosion warranty
- ▶ 3 years' UK roadside assistance and recovery

You also have the option when ordering your new car of choosing a four-year or five-year Audi warranty. Speak to a member of the sales team for more information.

Audi Tax-Free Sales

If you are entitled to purchase a vehicle free of VAT, normally through Military or Diplomatic privilege, please contact your local Audi Centre for full details.

Should you have any difficulty obtaining the information you require, please call Freephone 0800 585878.

Audi Finance

Audi Finance specialise in providing funding solutions for Audi drivers. Whether your Audi is for private or business use, there are a range of funding options to choose from.

Below is the full range of finance products.

- ▶ Solutions – a Personal Contract Plan
- ▶ Hire purchase
- ▶ Lease purchase
- ▶ Finance lease
- ▶ Contract hire

With all products, you can choose a fixed-cost maintenance plan designed to help you budget accurately.

No matter what Audi model you choose, your local Audi Centre can provide you with a personalised quote which could fit your budget and motoring needs.

Audi Finance is a trading name of Volkswagen Financial Services (UK) Limited. An offer of finance depends on certain conditions. Available to people over 18 in the UK only.

Audi Insurance

We want you to start enjoying your new car from day one and thanks to Audi Insurance complimentary seven day cover, you can. Call free on 0800 316 7893 (lines are open Monday to Friday 8am - 9pm, and Saturday 9am - 5pm), provide a few details and a cover note will be sent to your Audi Centre. They will then tax your car and you can drive it away.

Audi Insurance is a trading name of Volkswagen Insurance Service (Great Britain) Limited, an appointed representative of Volkswagen Financial Services (UK) Limited, Brunswick Court, Yeomans Drive, Blakelands, Milton Keynes MK14 5LR. Registered in England number 2835230. Audi Insurance is sold, underwritten and administered by Allianz Insurance plc registered in England number 84638. Registered office 57 Ladymead, Guildford, Surrey GU1 1DB. Volkswagen Financial Services (UK) Limited and Allianz Insurance plc are authorised and regulated by the Financial Services Authority. Volkswagen Financial Services (UK) Limited and Allianz Insurance plc are not part of the same corporate group.

Audi UK
Customer Services
Selectapost 29
Sheffield
S97 3FG
0800 699888
audi.co.uk

Specifications and prices subject
to change without notice.

© Audi (UK)

Printed in the UK
Edition 9.0 04/12
2012 model year (A3 3 door)
2013 model year (A3 / S3 Sportback)

Images are for illustrative purposes only.

