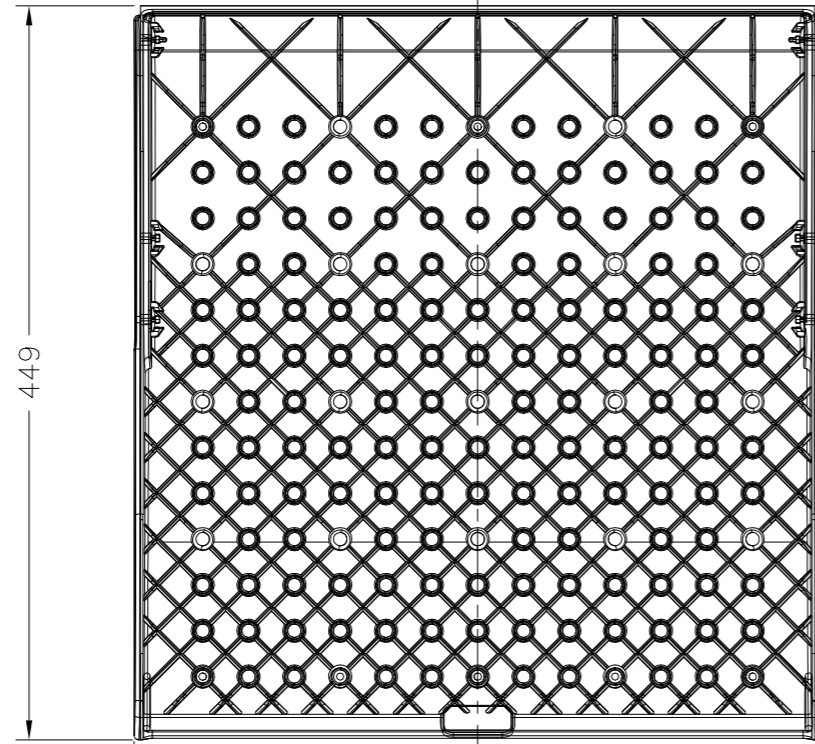
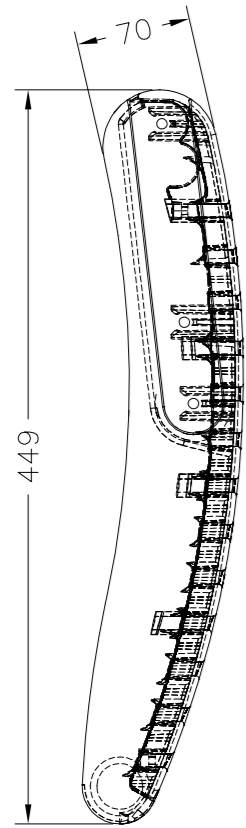
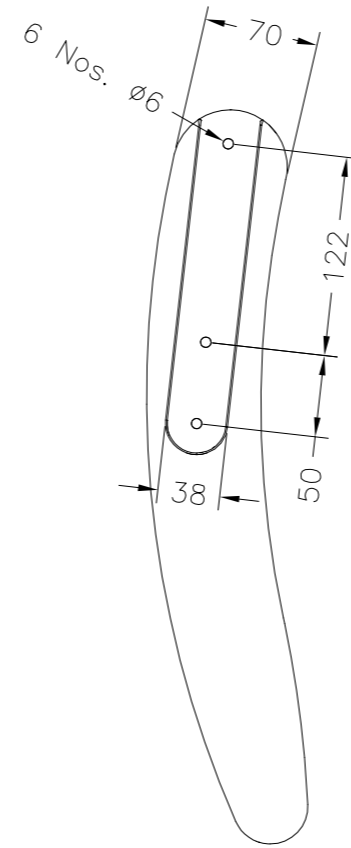


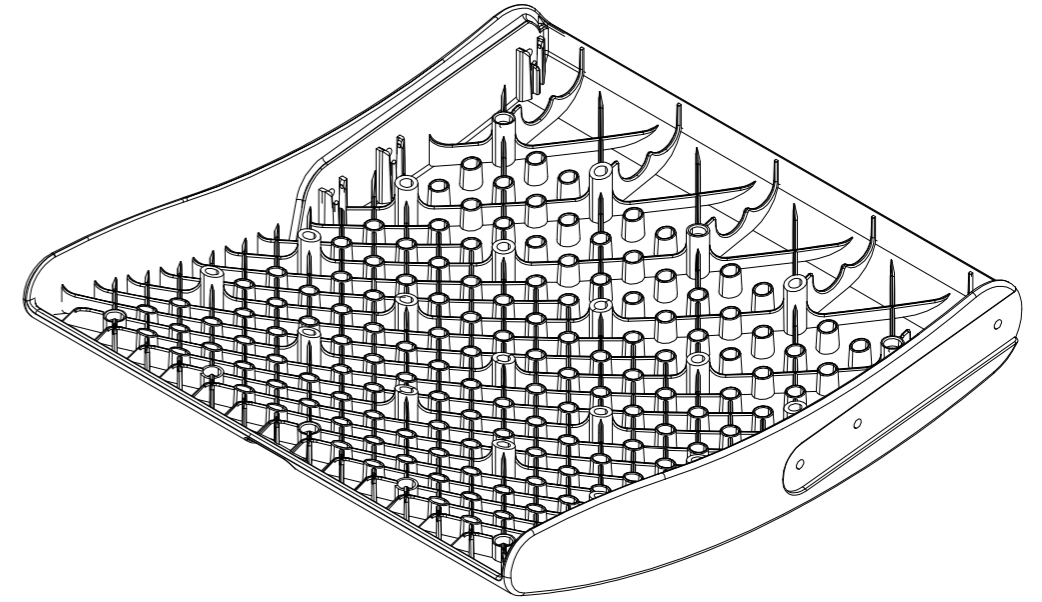
FRONT VIEW



TOP VIEW



SIDE VIEW



ISOMETRIC VIEW

THIS COMPONENT NEED TO COMPLY TO BELOW CRITERIA:
 1.) ULTRA VIOLET RESISTANT