

Monday, December 15, 2008

This text file has both a PNG version and the DRAW cut and paste version of the same drawing. As can be seen, they are not the same.

Also, when trying to edit the group in WRITER, the view changes, (see PDF as exported) but after saving and reopening, the display is still wrong.

The DRAW file, as in ZIP archive is:

2008-12-15 13:40 1012199F4FD16

ExamDiag.odg DRAW FILE CONTAINING
image shown below in multiple instances.

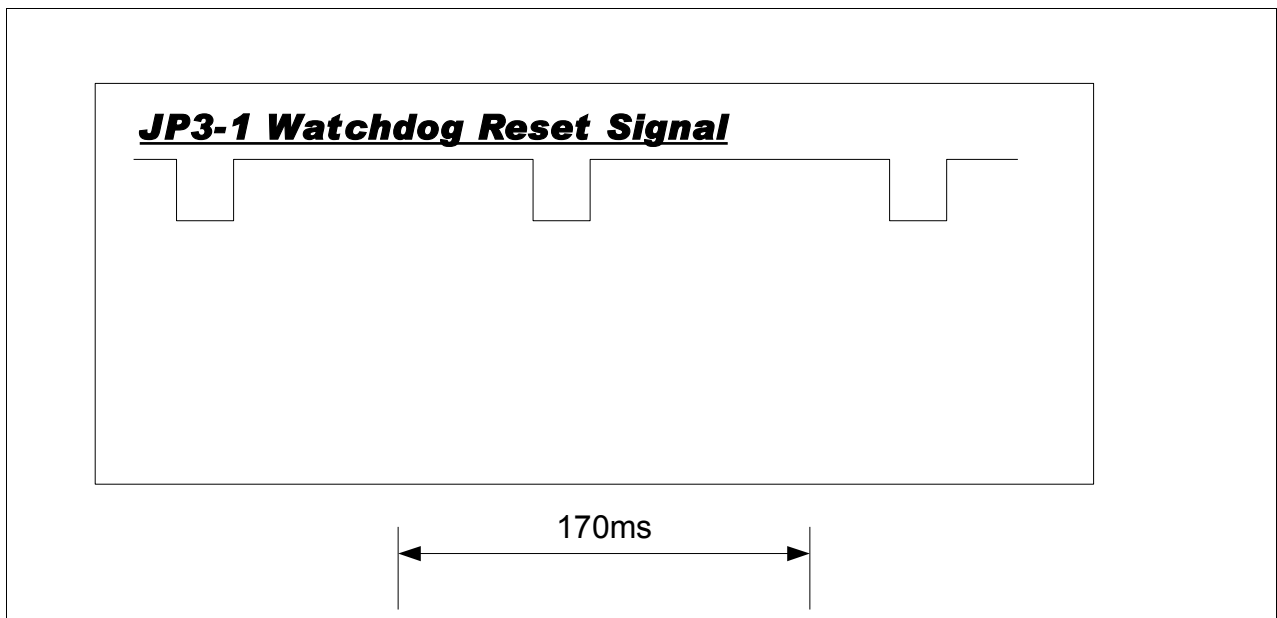
The PCRC signature is 99F4FD16.

s.bender@sycon.com

Sycon Instruments

315-463-5297

(EOF)

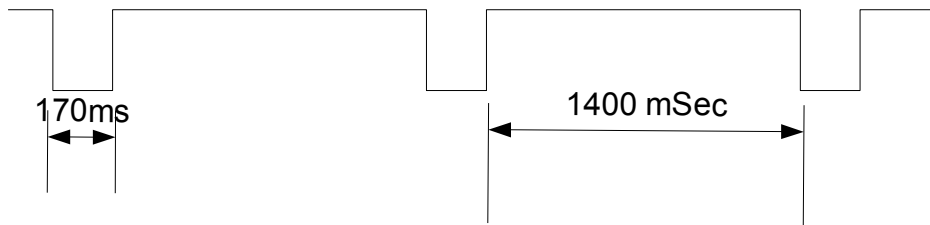


Paragraph with anchored frame with pasted in attached object pasted in from DRAW document EXAMDIAG.ODG

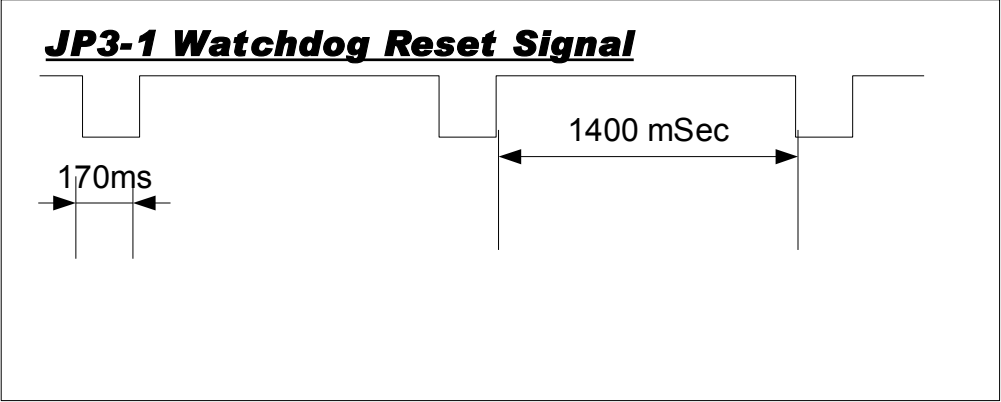
Cut and pasted into this frame the DRAW object from EXAMTEXT.ODG file.

In this case, the data has been edited using GROUP EDIT context menu to make it look more like it should. It prints properly (see EXAMTEXT.PDF) and yet after save and recall of the EXAMTEXT.ODT file, the edited properties shown as having been made in the PDF hardcopy, are gone. See 2nd PDF view EXAMTXT2.PDF

JP3-1 Watchdog Reset Signal



Above drawings are same as this one, except the document was closed and reopened. Look at this one, it is still wrong, as far as the location of the 1400 dimension line. The first PDF shows this right after pasting, the second one, after close/reopen.



This frame has the PNG (EXAMTEXT.PNG) as exported from the DRAW file Examdiag.odg and has the proper locations of the dimension lines, as per the original DRAW file.

