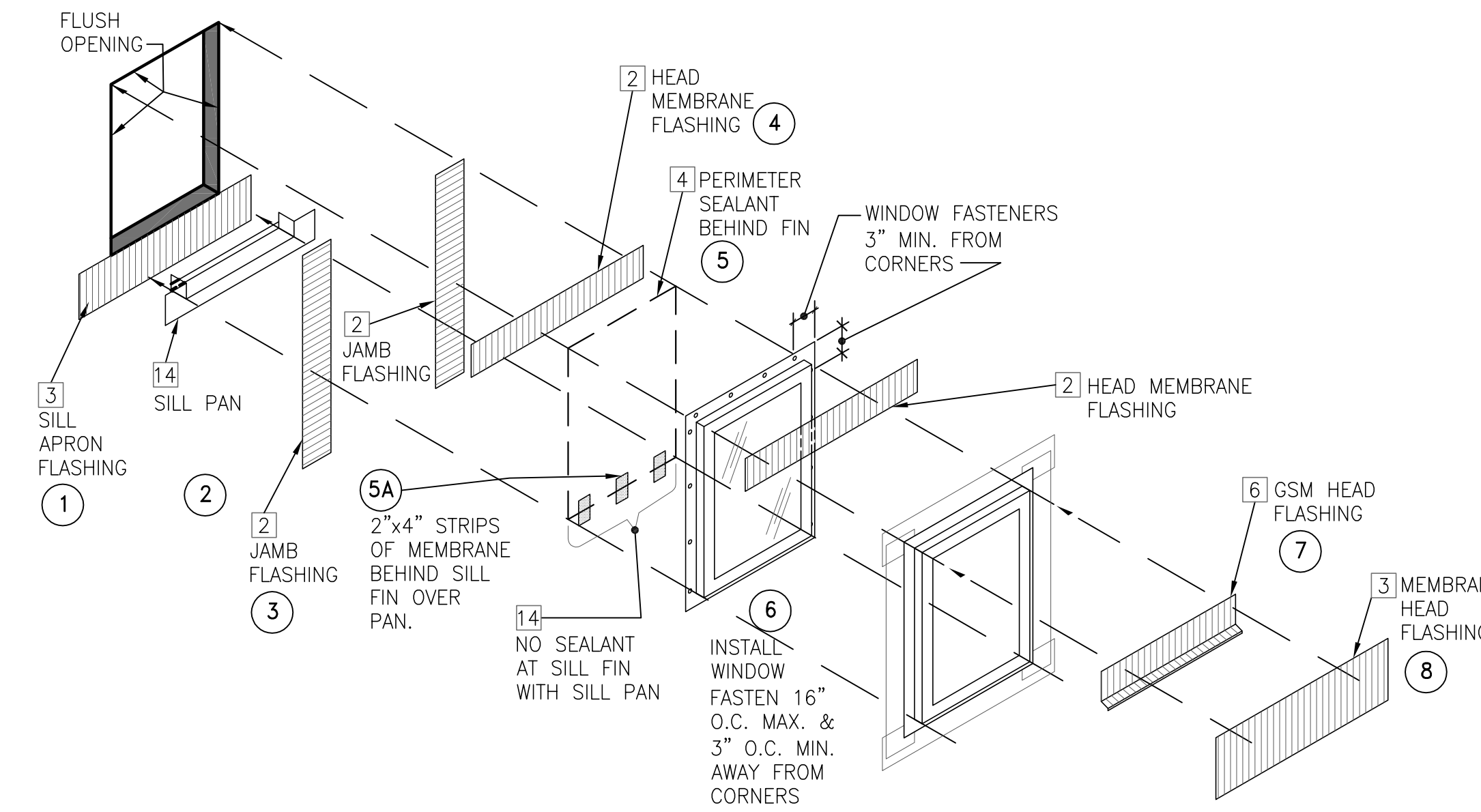


NOTE: FOR WINDOW SEQUENCE, SEE DETAIL **2** A600

1 WINDOW FLASHING SEQUENCE - FLUSH WINDOW 4'-1'-0"

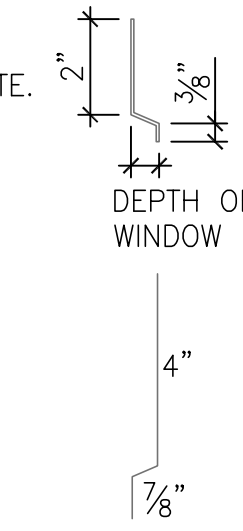


2 WINDOW FLASHING SEQUENCE 3'-1'-0"

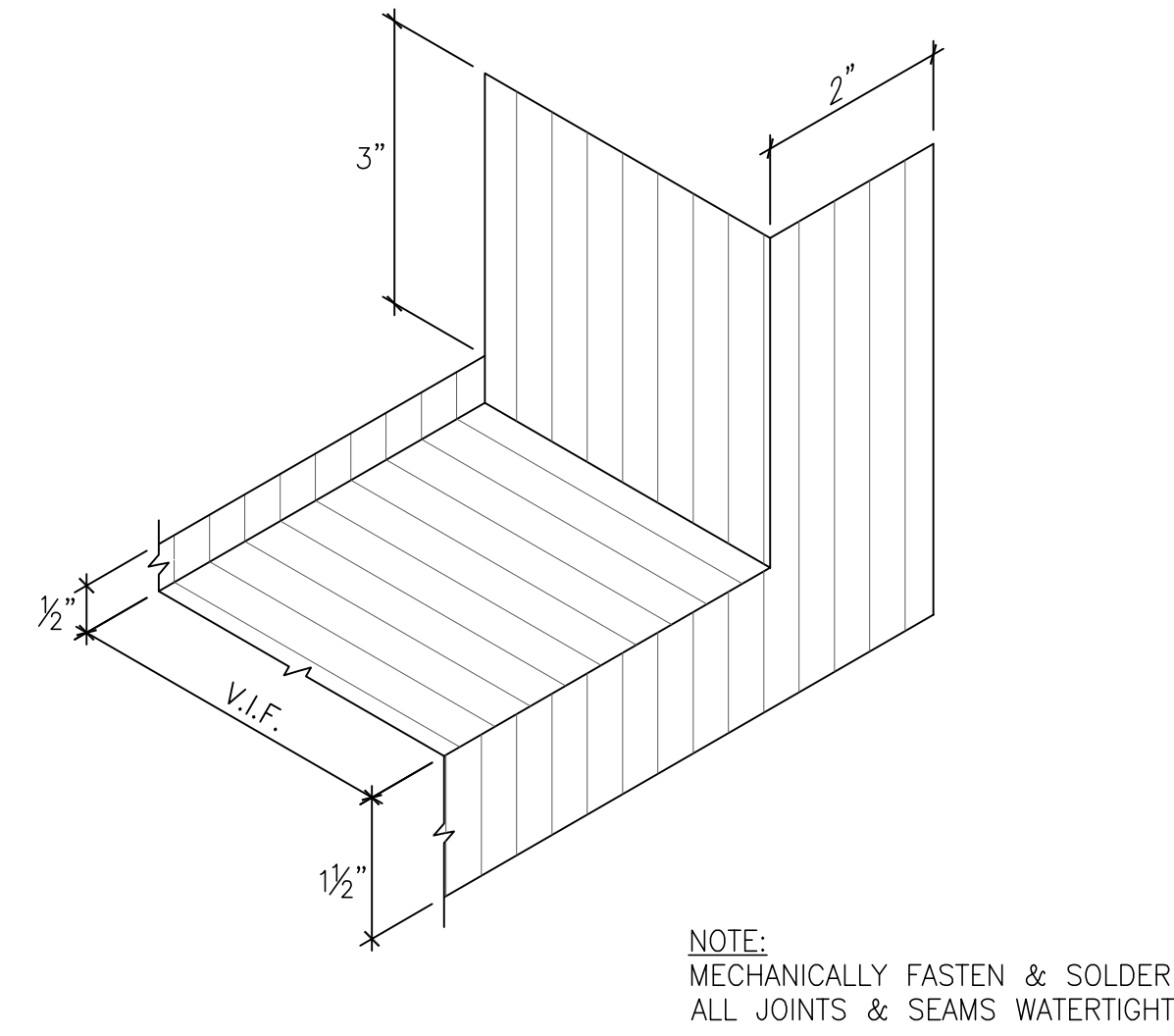
MATERIAL LIST:

- 1 MEMBRANE FLASHING, 6" STRIP.
- 2 MEMBRANE FLASHING, 9" STRIP.
- 3 MEMBRANE FLASHING, 12" STRIP.
- 4 SEALANT.
- 5 BUILDING PAPER, 2 LAYERS, GRADE D, 60 MINUTE.
- 6 GALVANIZED SHEET METAL HEAD FLASHING, 24 GAGE MIN. HEM EXPOSED EDGE
- 7 GALVANIZED SHEET METAL #5 SOFFIT DRIP:
 - A. SUPERIOR #SSC 078-400G (NO HOLES) 1 (800) 892-8673
 - B. STOCKTON #NFD, 4" LEGS (NO HOLES) 1 (800) 862-5866
- 8 1 1/2"x1 1/2" WOVEN WIRE NETTING GALVANIZED.
- 9 GALVANIZED 3.4 #/SY DIAMOND MESH, SELF-FURRED.
- 10 FURRING NAILS, GALVANIZED.

- 11 CORNER AID, GALVANIZED.
- 12 GALVANIZED NAIL, ROOFING.
- 13 CORROSION RESISTANT STAPLE.
- 14 GALVANIZED 24 GAGE SOLDERED SILL PAN. (SEE 7/-)
- 15 PAPER EDGE SEALANT.

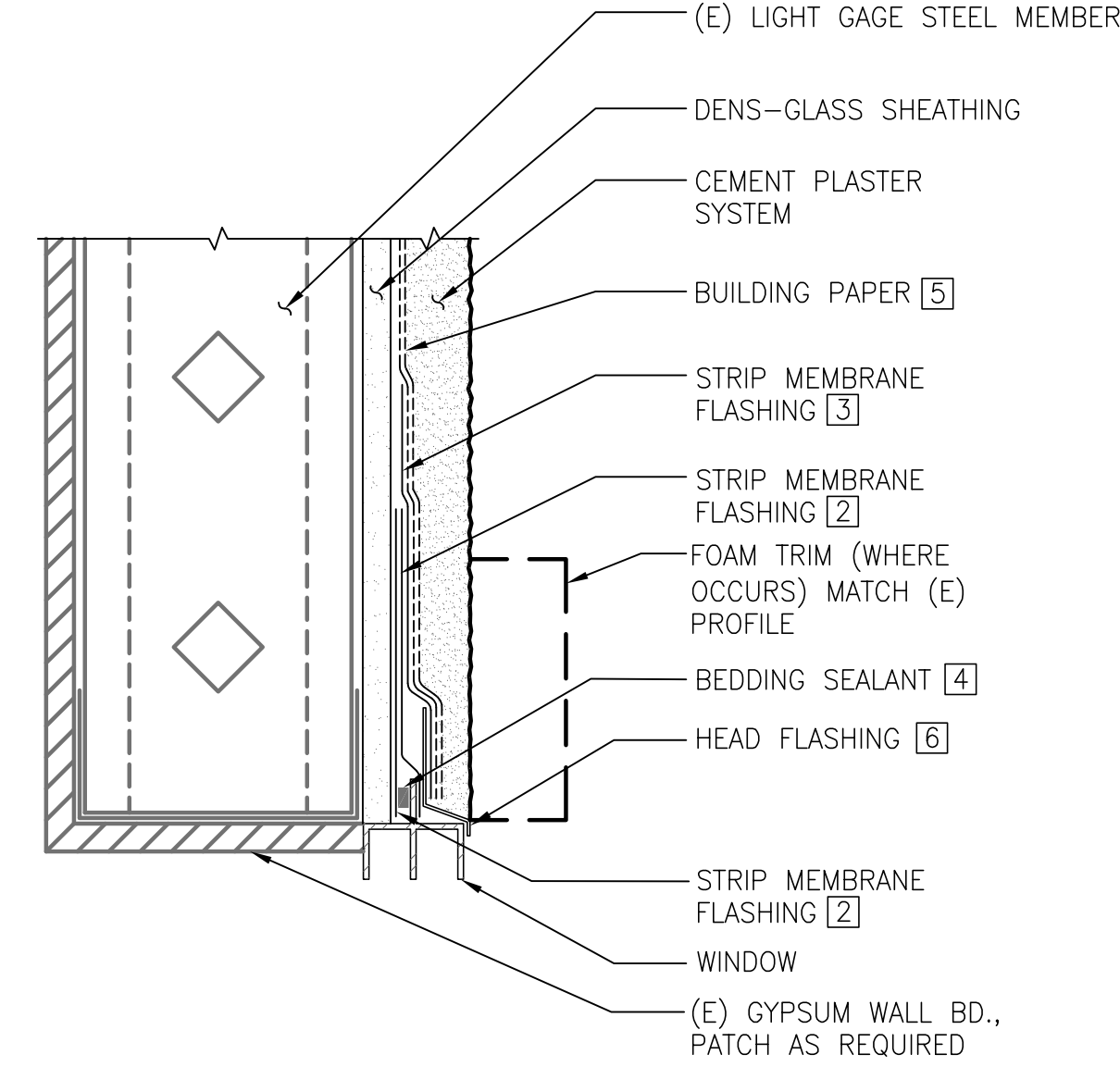


5 PAN FLASHING 6'-1'-0"

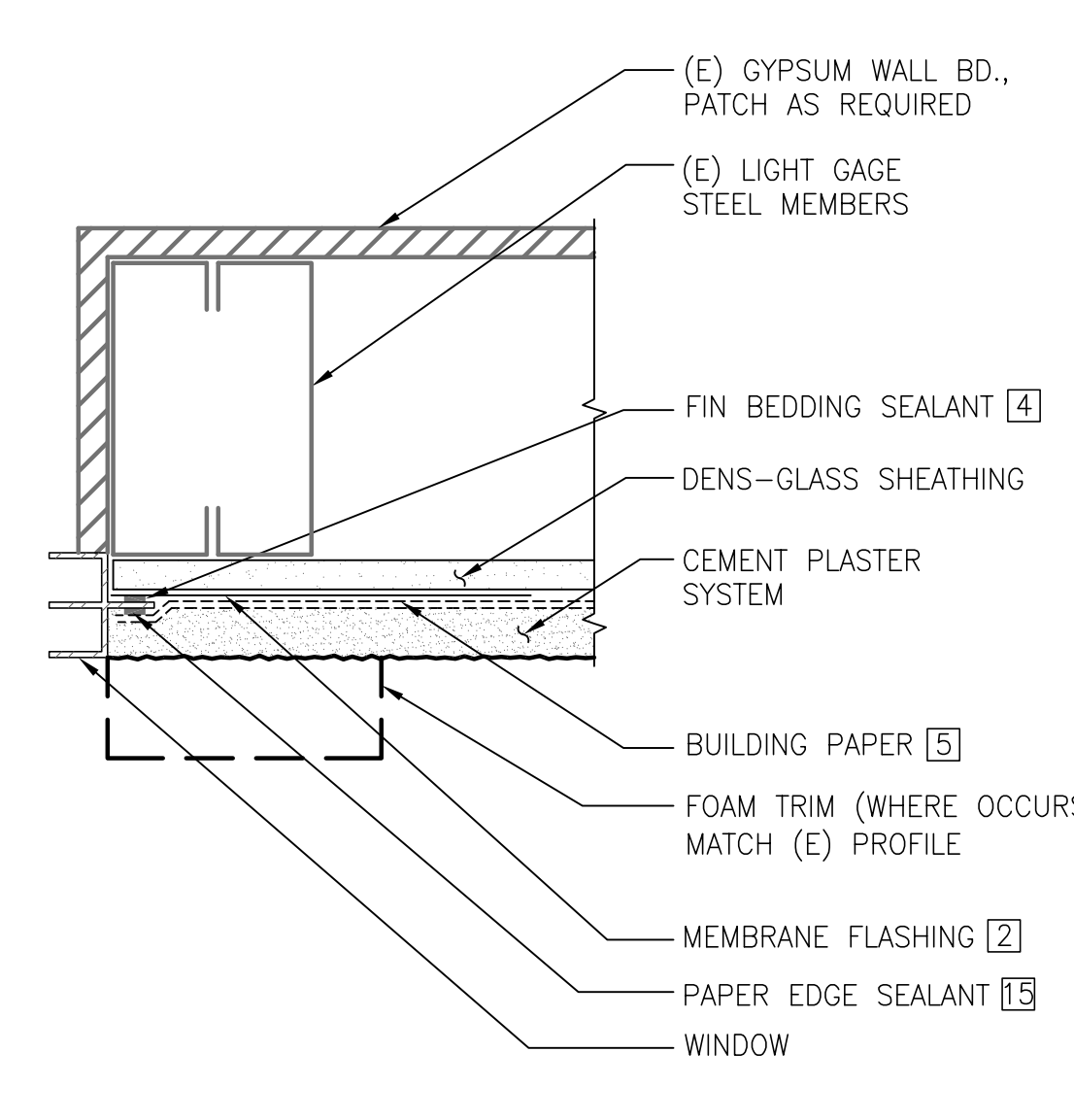


NOTE: MECHANICALLY FASTEN & SOLDER ALL JOINTS & SEAMS WATERTIGHT.

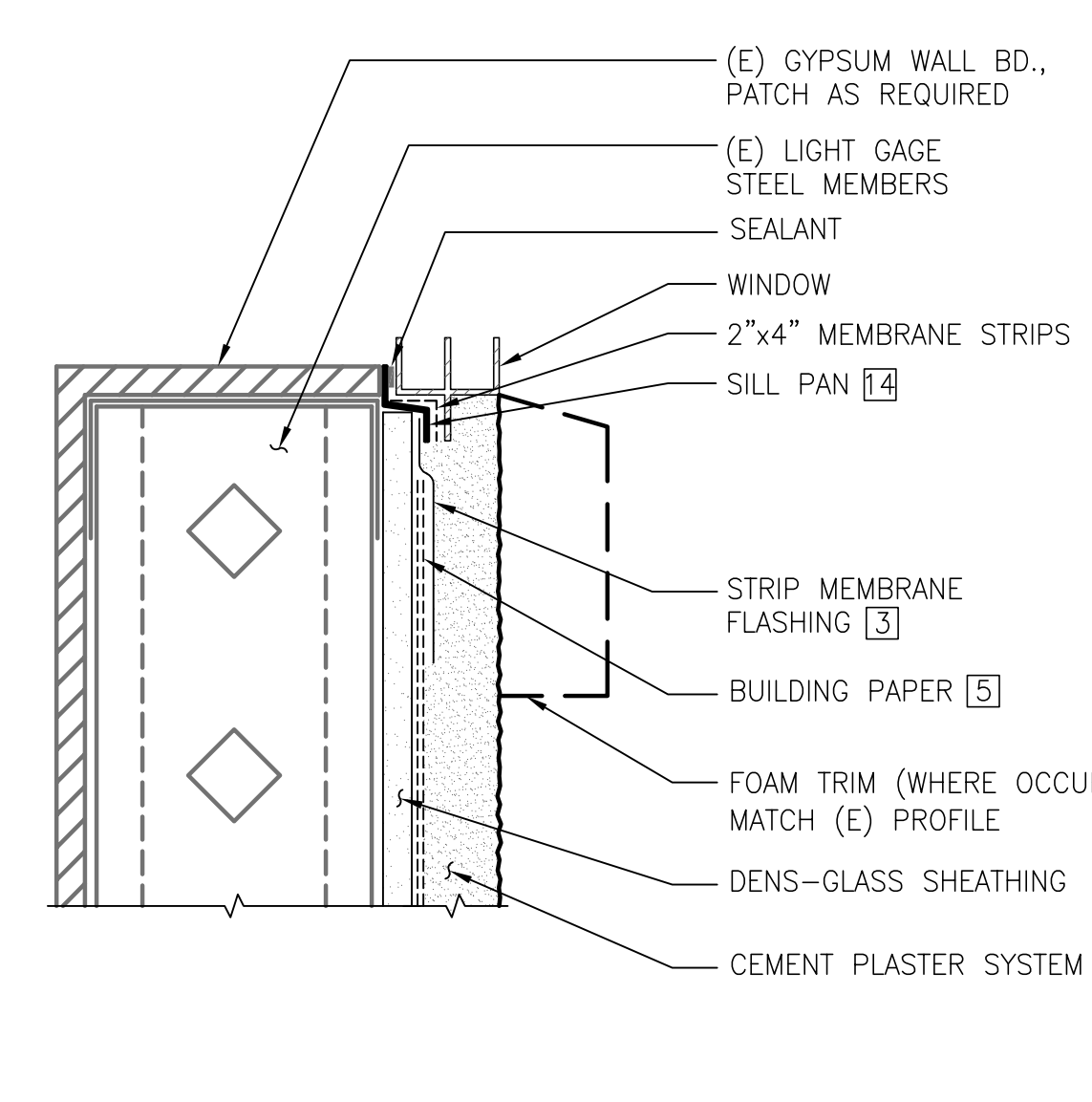
6 WINDOW HEAD 3'-1'-0"



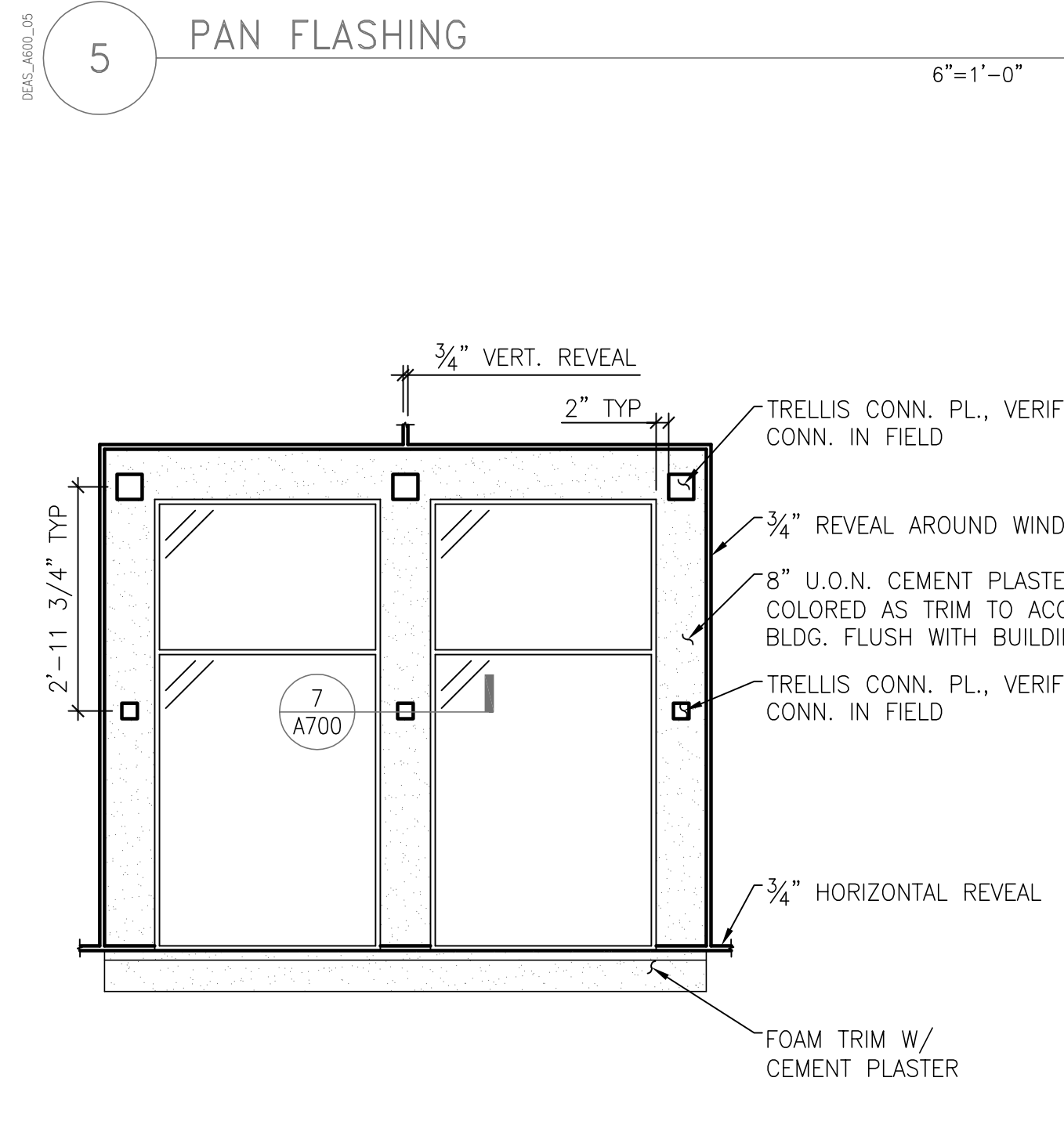
7 WINDOW JAMB 3'-1'-0"



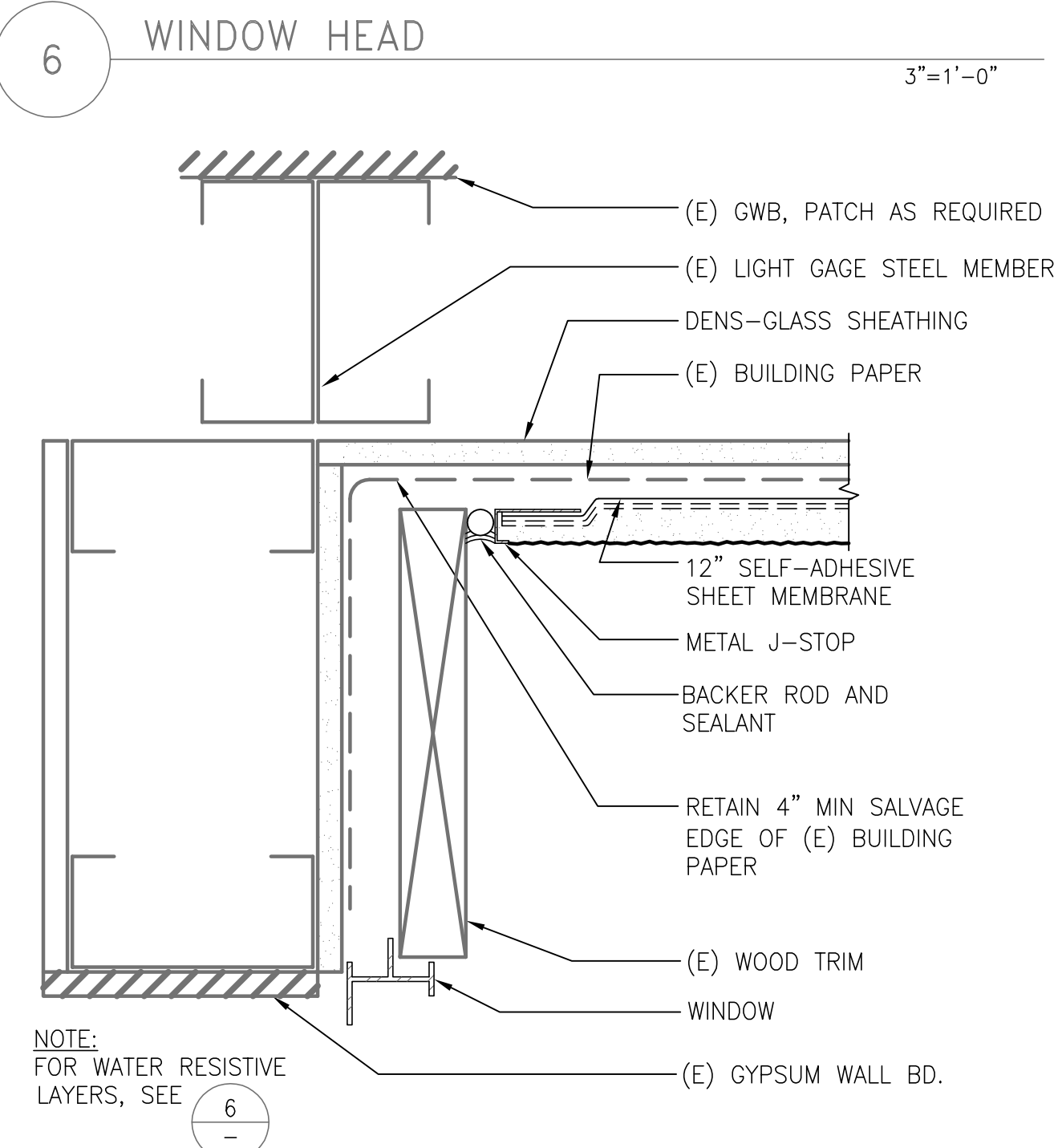
8 WINDOW SILL 3'-1'-0"



9 TYP. WINDOW REVEAL @ LEVELS 2 & 3 1/2'-1'-0"



10 WINDOW HEAD 3'-1'-0"



NOTE: FOR WATER RESISTIVE LAYERS, SEE **6**