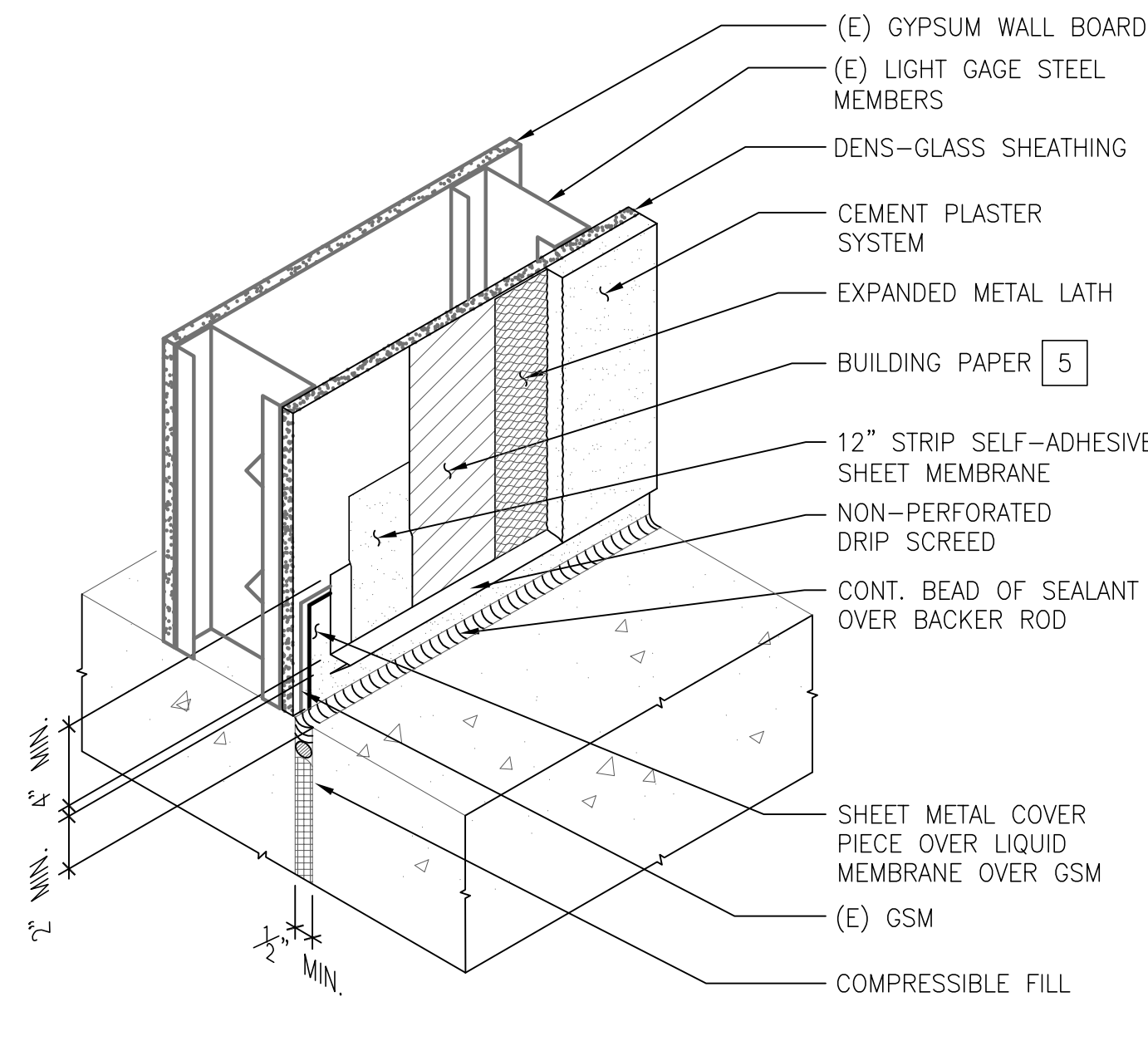
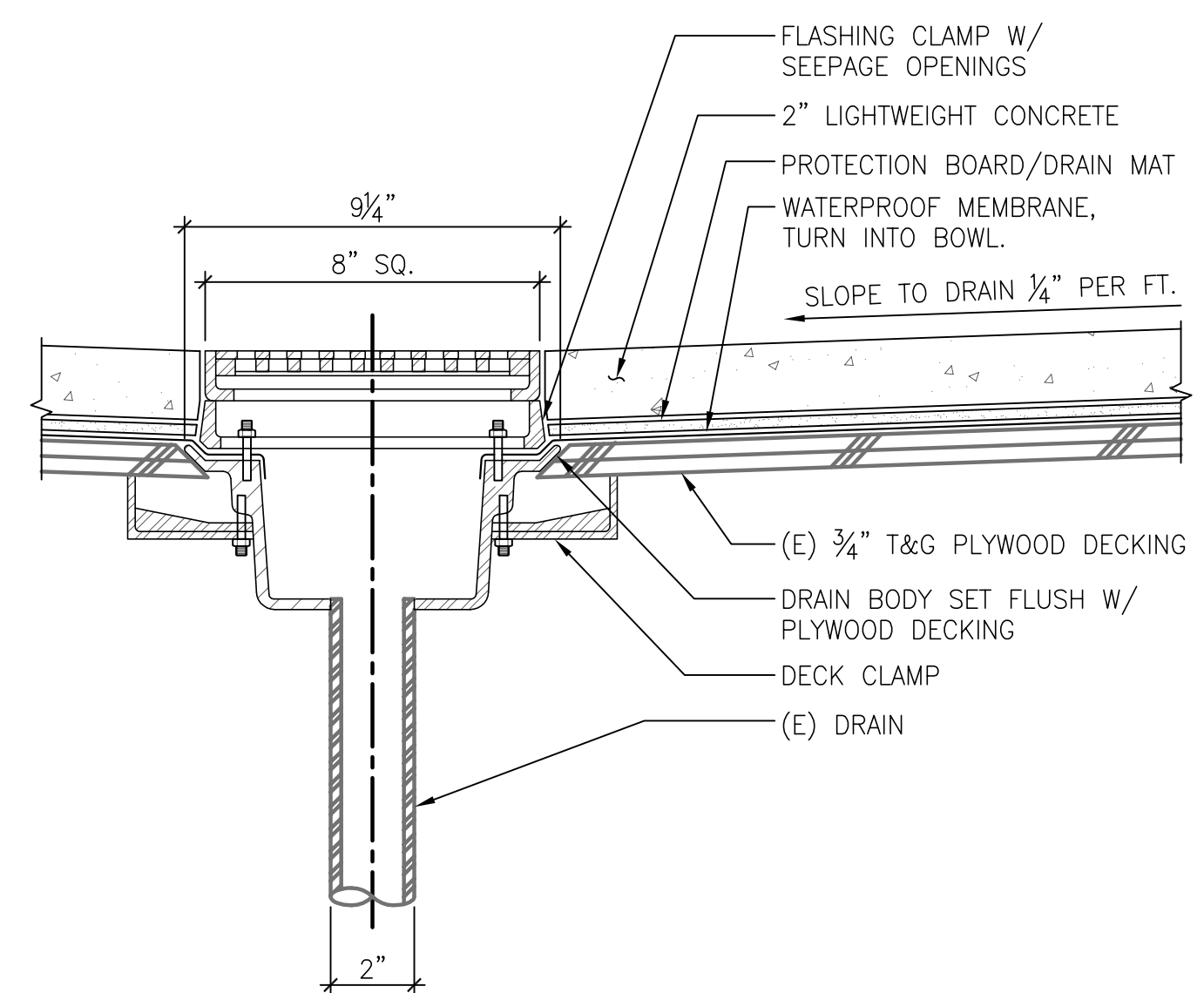


1 CEMENT PLASTER AT GRADE
1 1/2"=1'-0"



2 CEMENT PLASTER AT SIDEWALK OR WALKWAY
1 1/2"=1'-0"



3 DECK DRAIN
SCALE: 3"=1'-0"