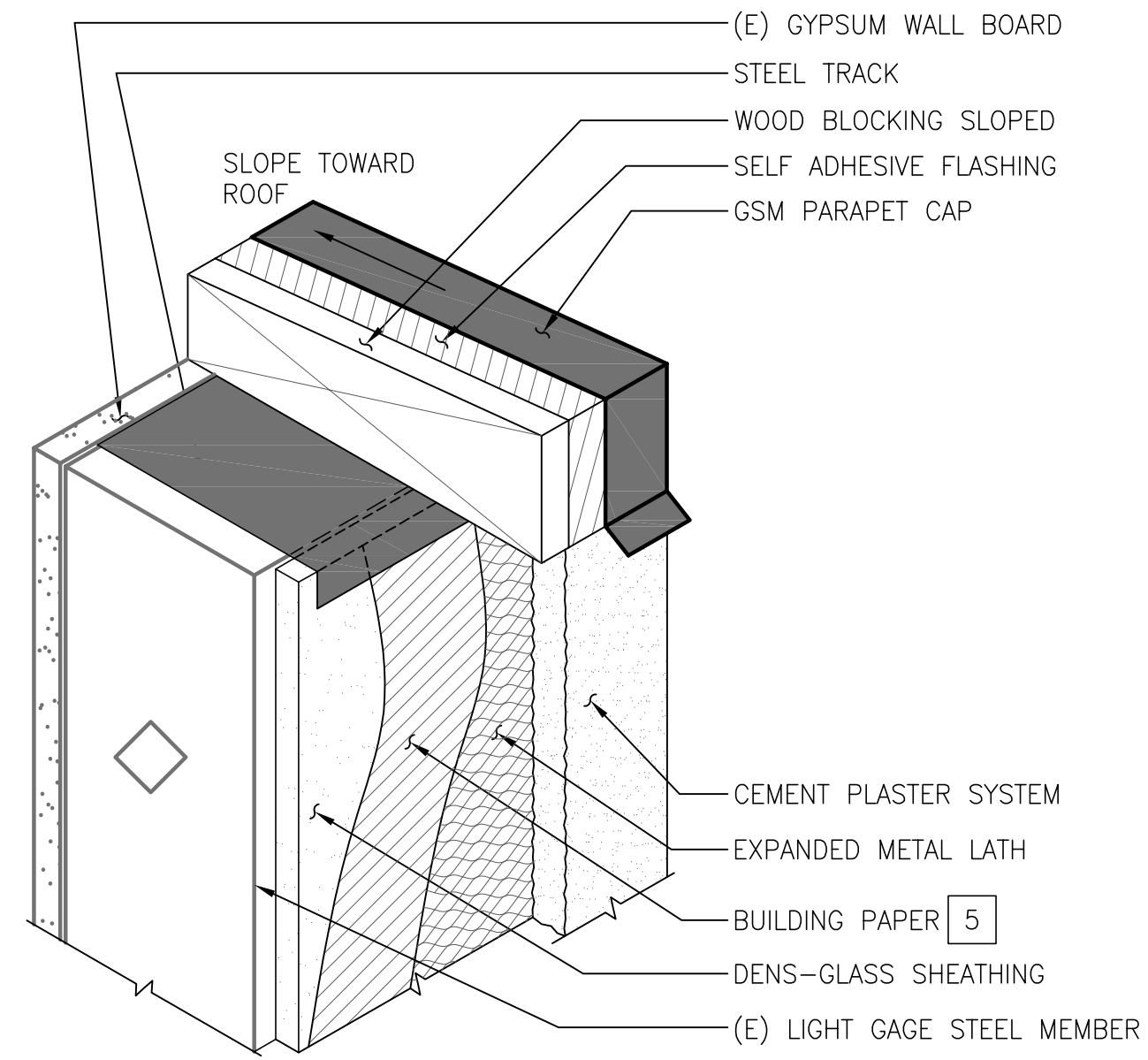
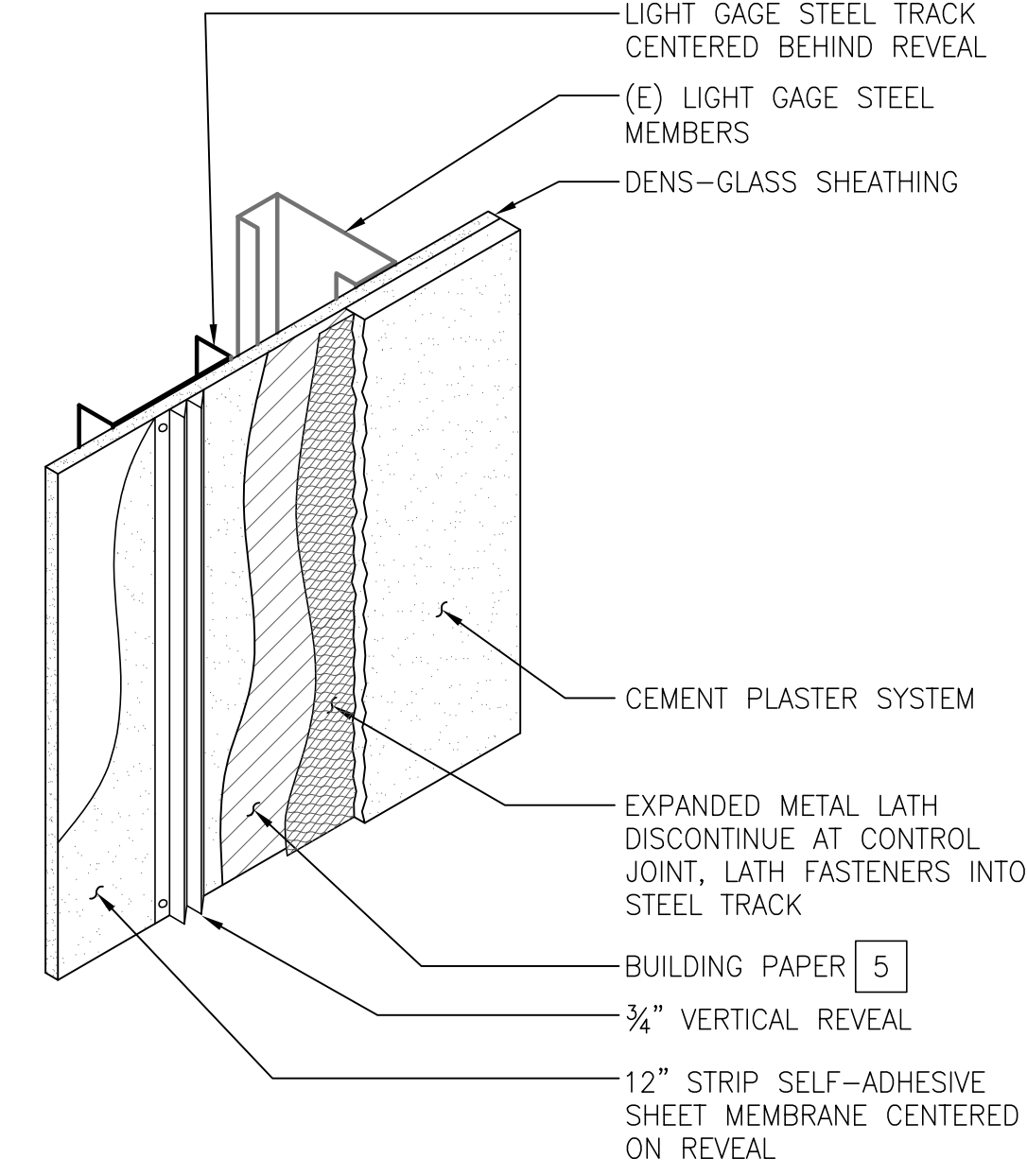


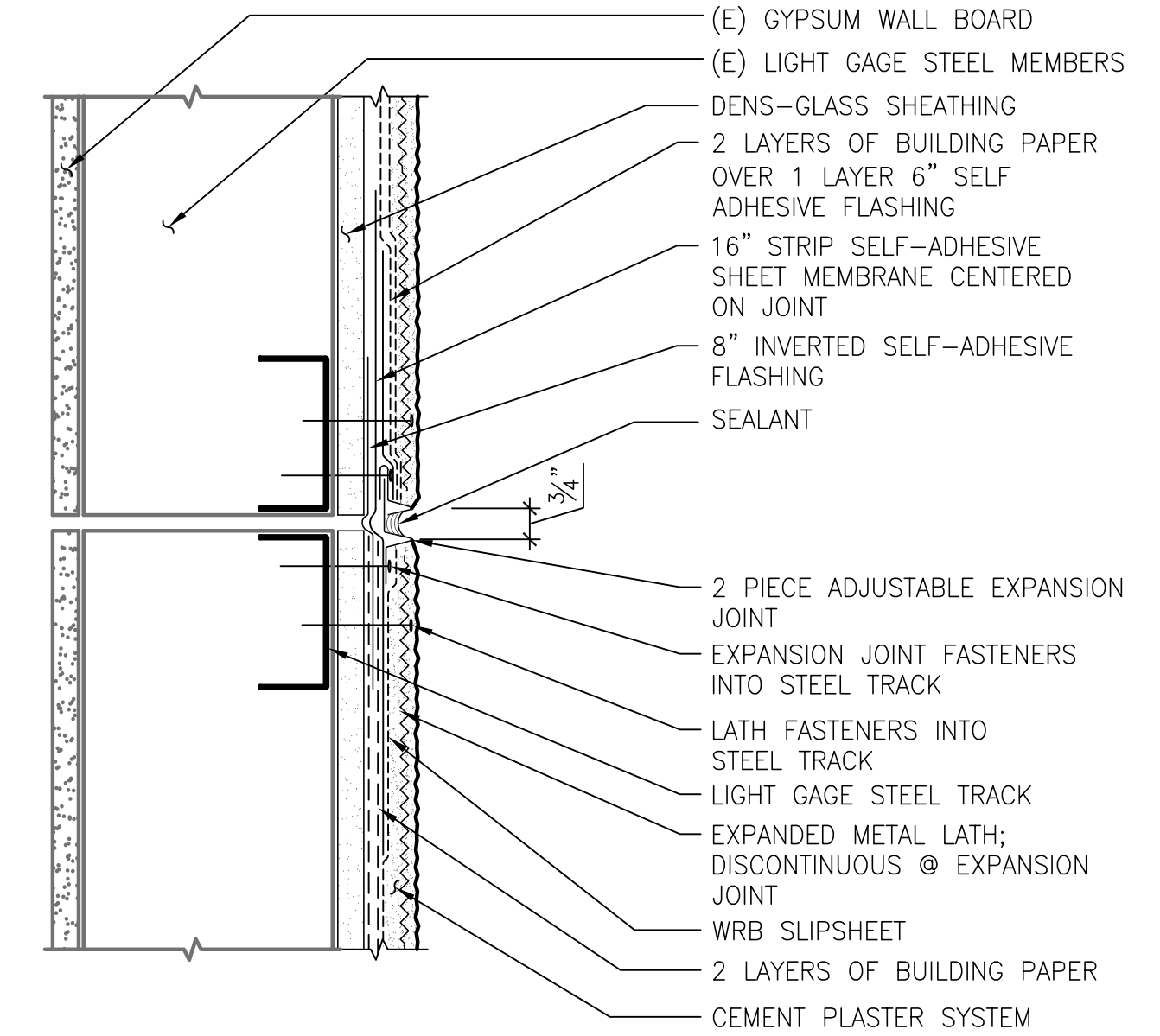
1 TILE WALL ASSEMBLY
1 1/2"=1'-0"



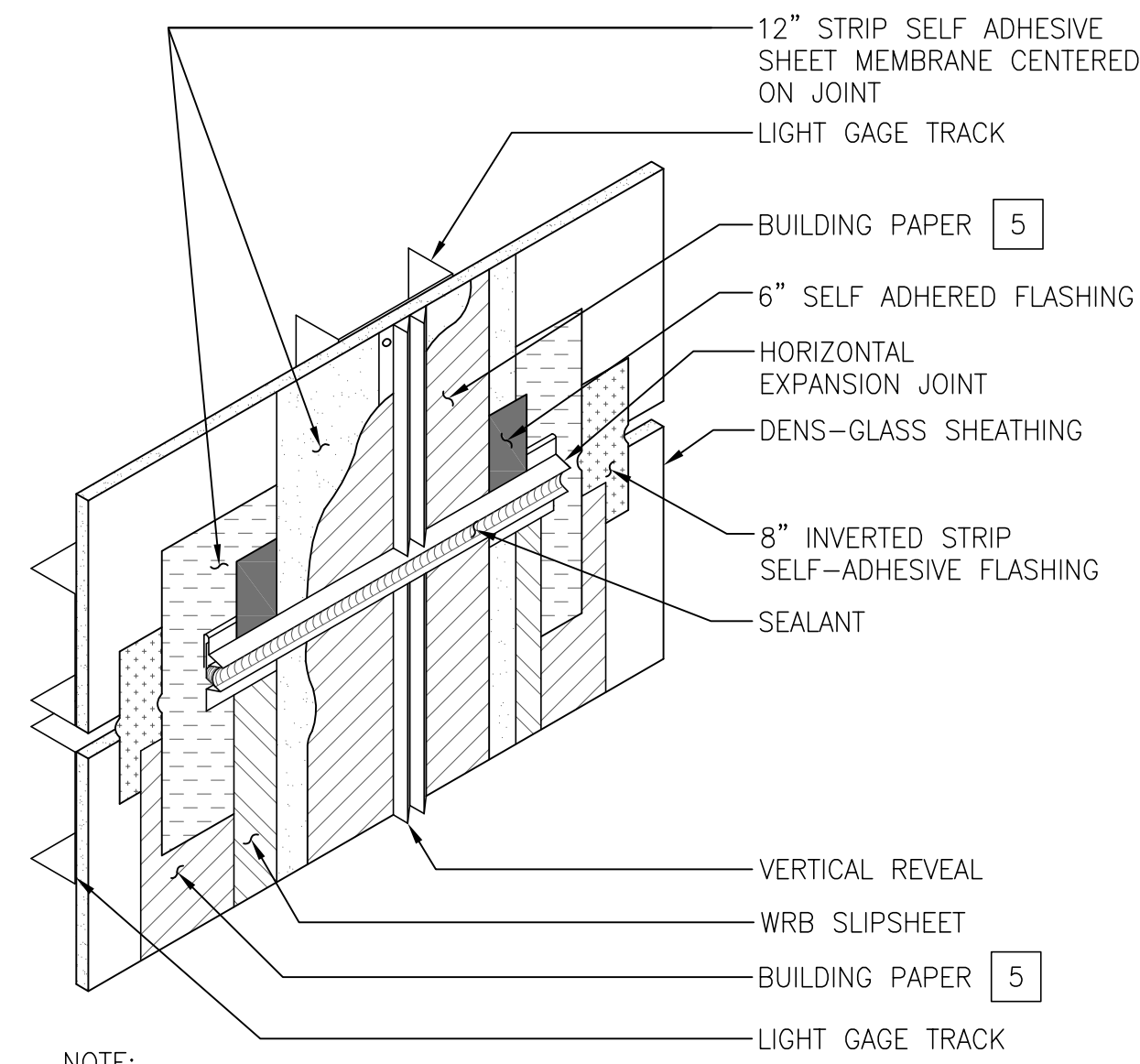
2 PARAPET CAP
3"=1'-0"



3 VERTICAL REVEAL AT CONTROL JOINT
1 1/2"=1'-0"

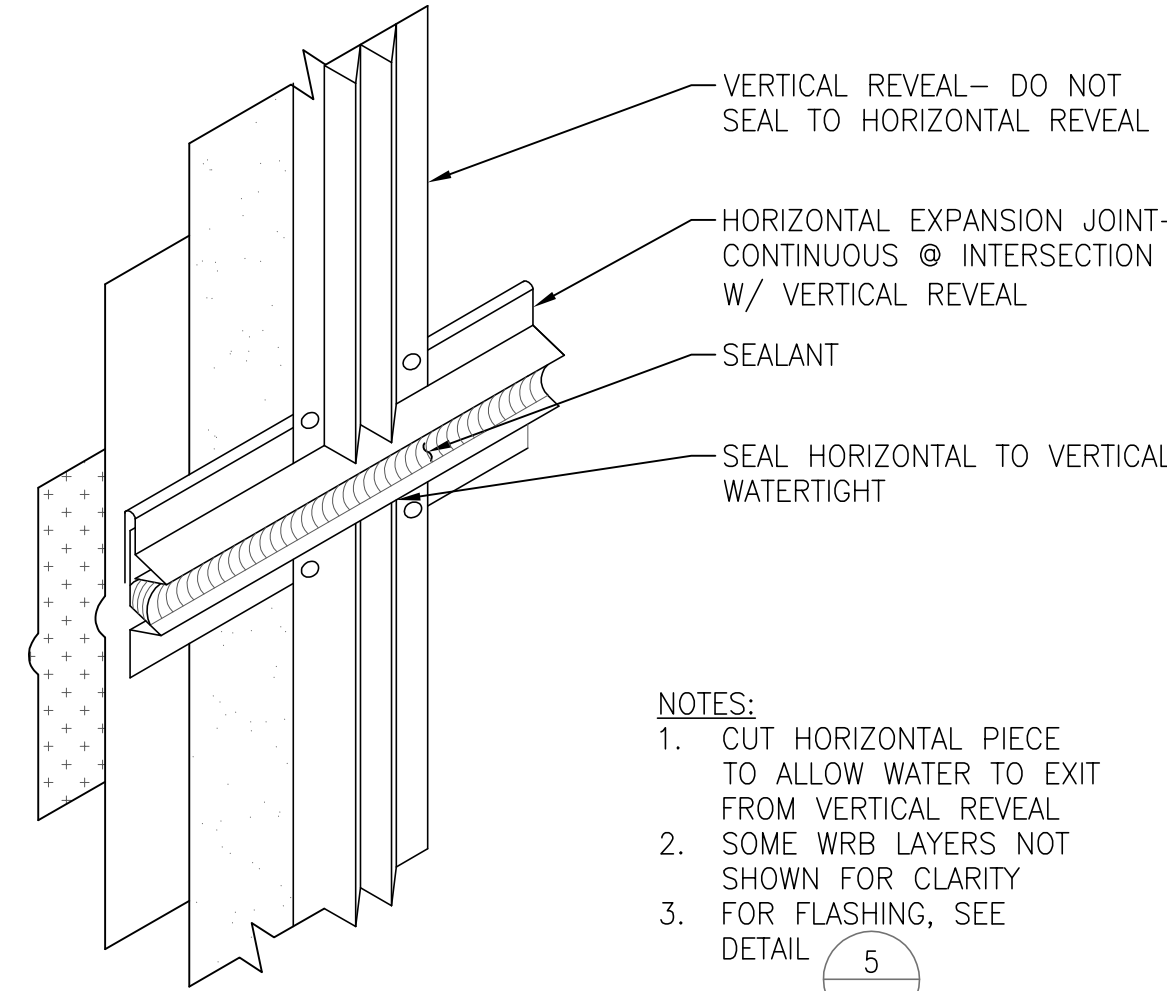


4 HORIZONTAL EXPANSION JOINT
SCALE: 3"=1'-0"



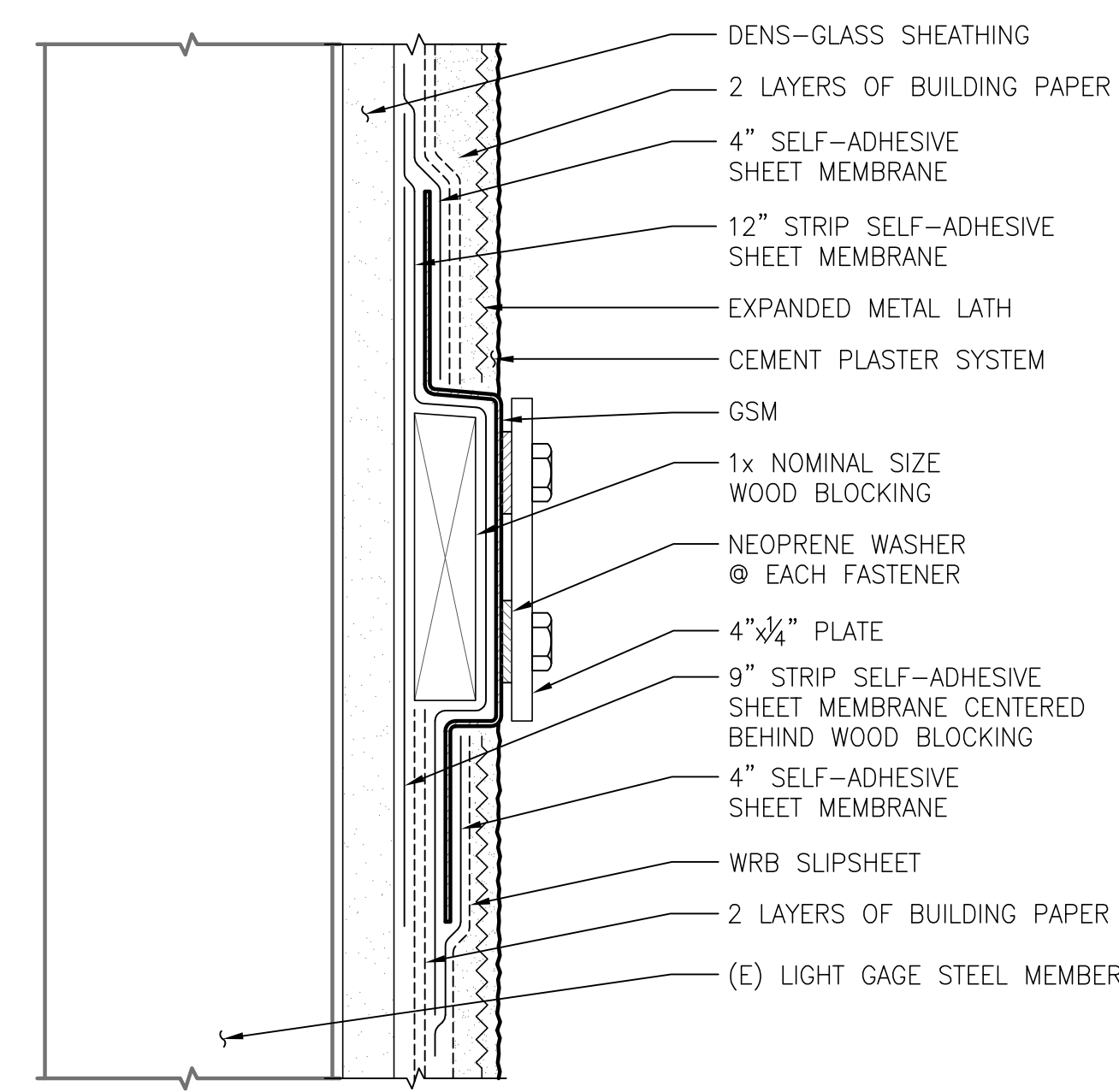
5 VERTICAL REVEAL @ HORIZONTAL EXPANSION JOINT
1 1/2"=1'-0"

NOTE:
PROVIDE SINGLE LAYER OF WRB SLIPSHEET OVER EXPOSED SELF ADHERED FLASHING.

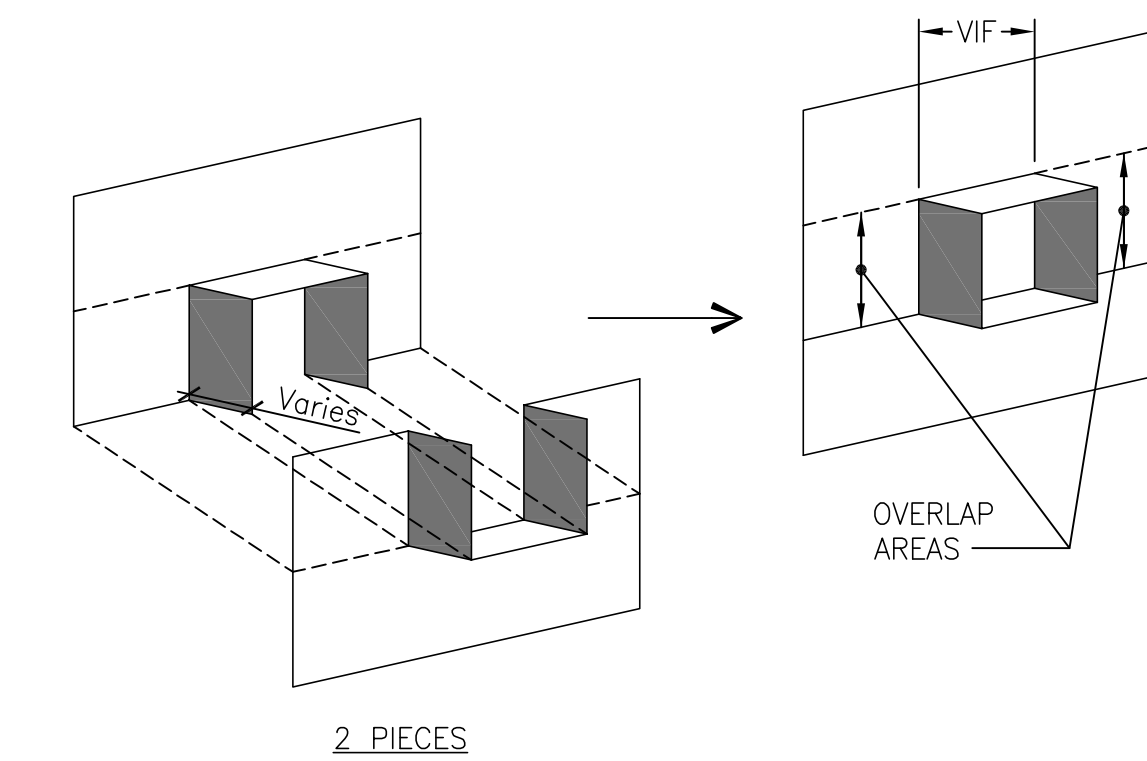


6 EXPANSION JOINT AND REVEAL INTERSECTION
3"=1'-0"

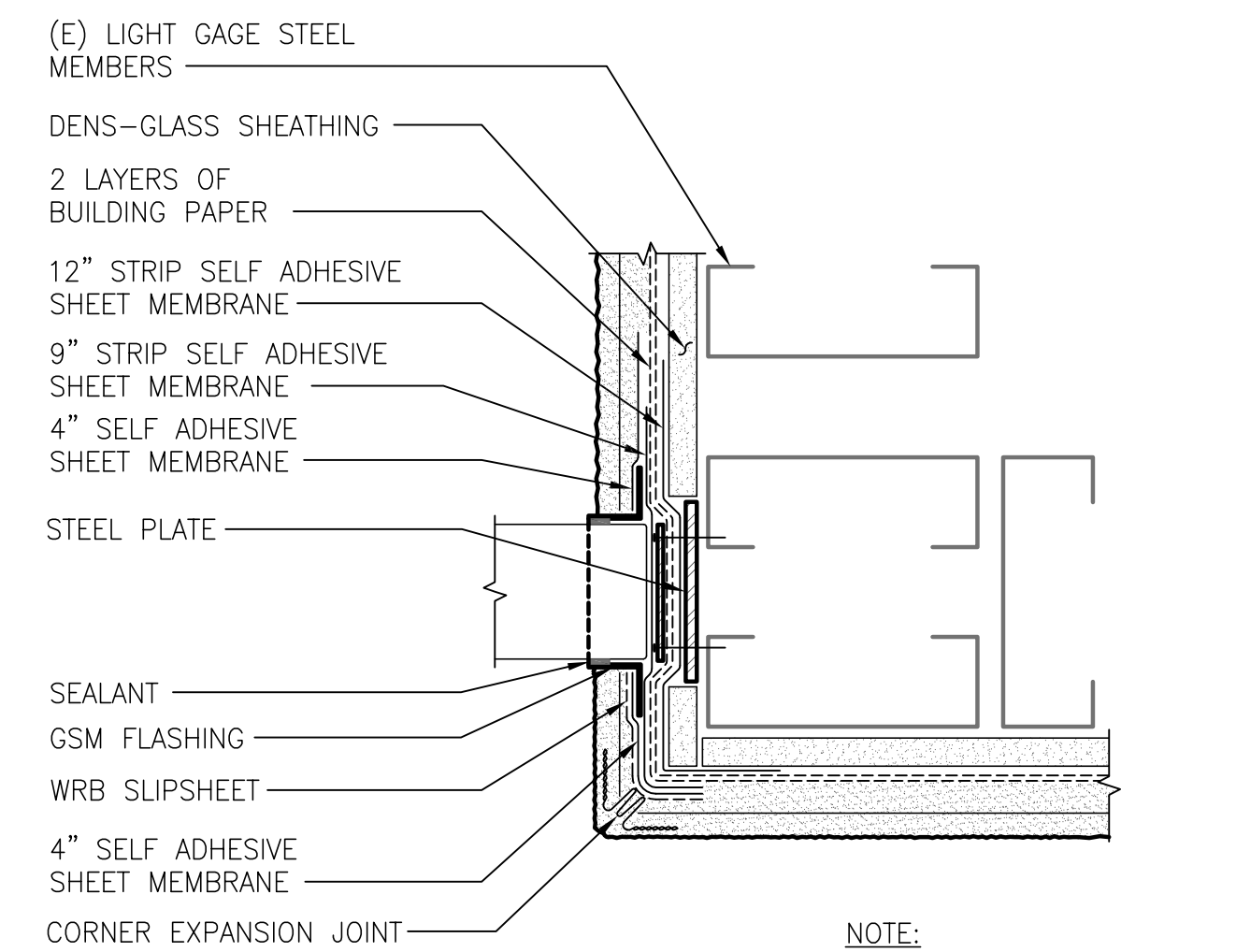
NOTES:
1. CUT HORIZONTAL PIECE TO ALLOW WATER TO EXIT FROM VERTICAL REVEAL
2. SOME WRB LAYERS NOT SHOWN FOR CLARITY FOR FLASHING, SEE DETAIL
3. FOR FLASHING, SEE DETAIL



7 TRELLIS CONNECTION DETAIL, NEAR WINDOW HEAD SIM. @ OTHER CONNECTIONS
SCALE: 6"=1'-0"

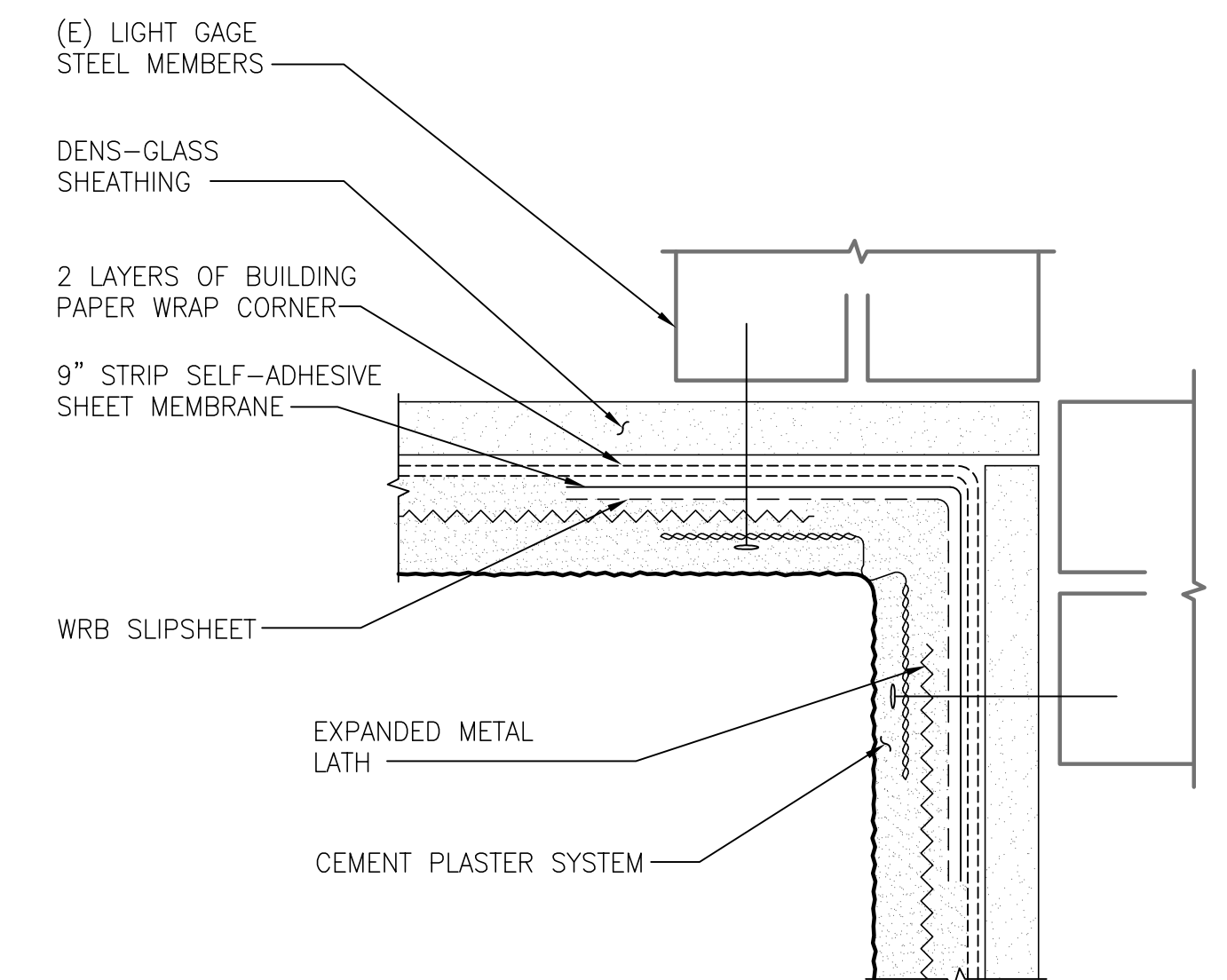


8 FLASHING AROUND RAILING & TRELLIS CONNECTIONS
N.T.S.

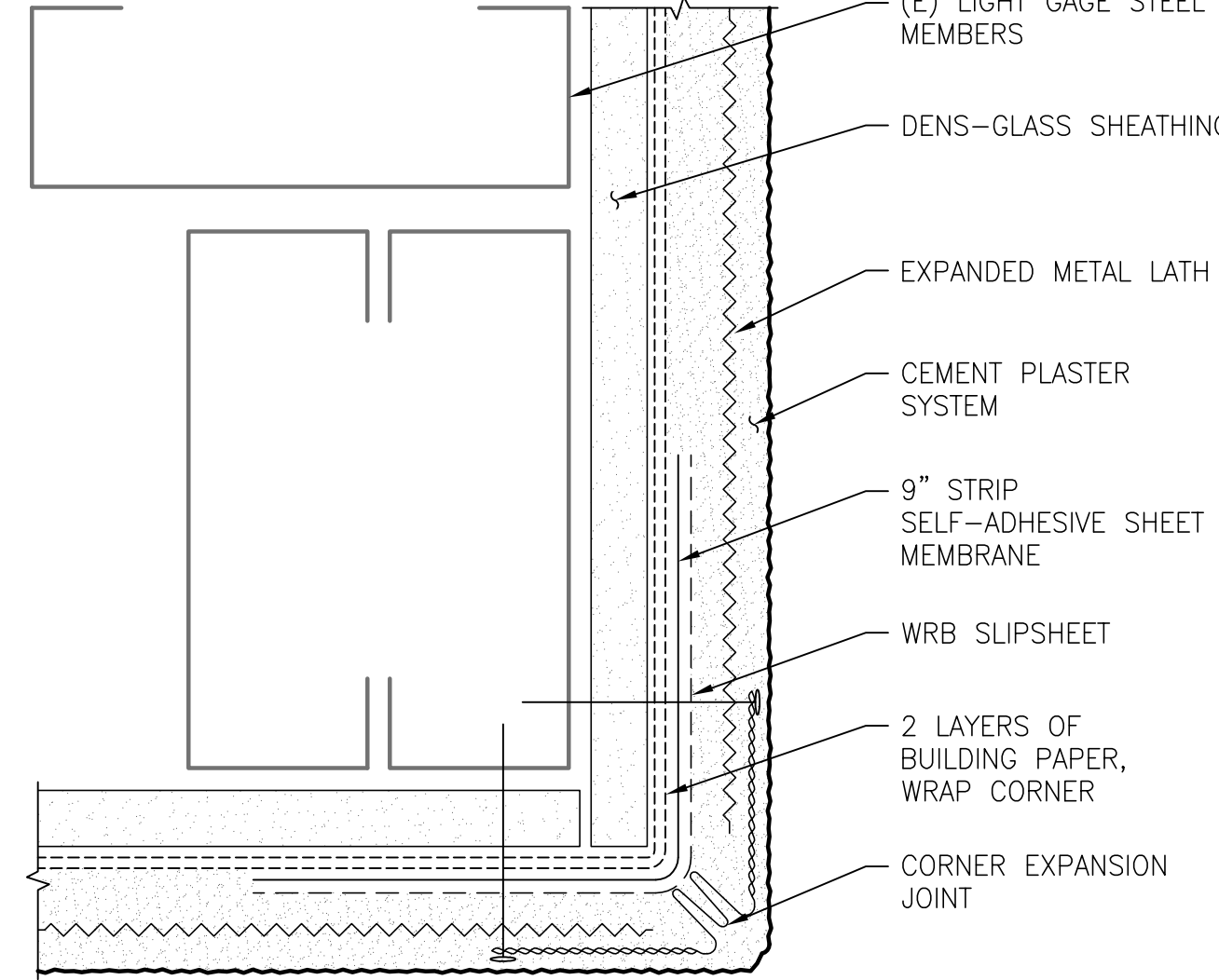


9 RAIL DETAIL
3"=1'-0"

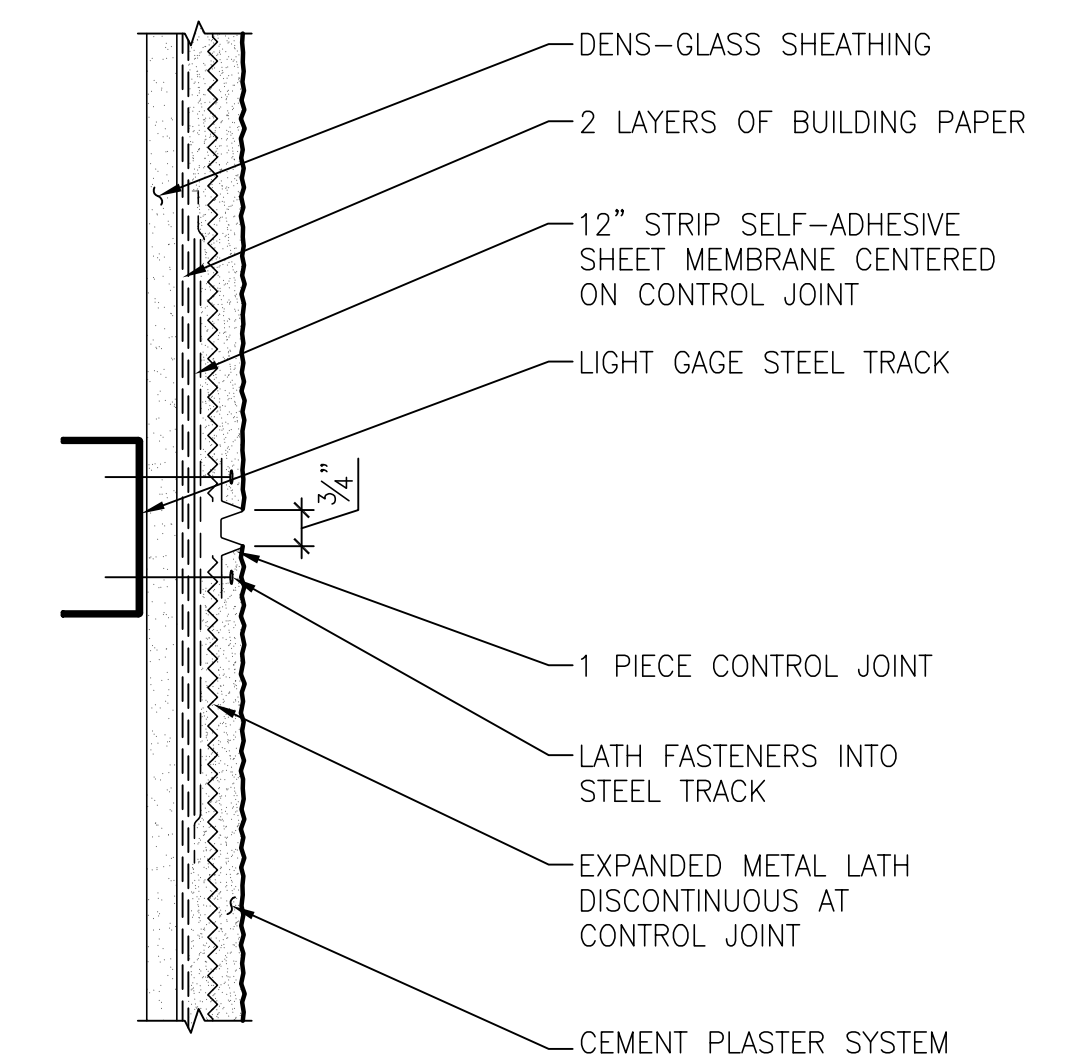
NOTE:
1. FOR GSM FLASHING, SEE DETAIL



10 CEMENT PLASTER AT CORNER INSIDE CORNER
SCALE: 6"=1'-0"



11 CEMENT PLASTER AT CORNER OUTSIDE CORNER
SCALE: 6"=1'-0"



12 HORIZONTAL CONTROL JOINT
SCALE: 3"=1'-0"