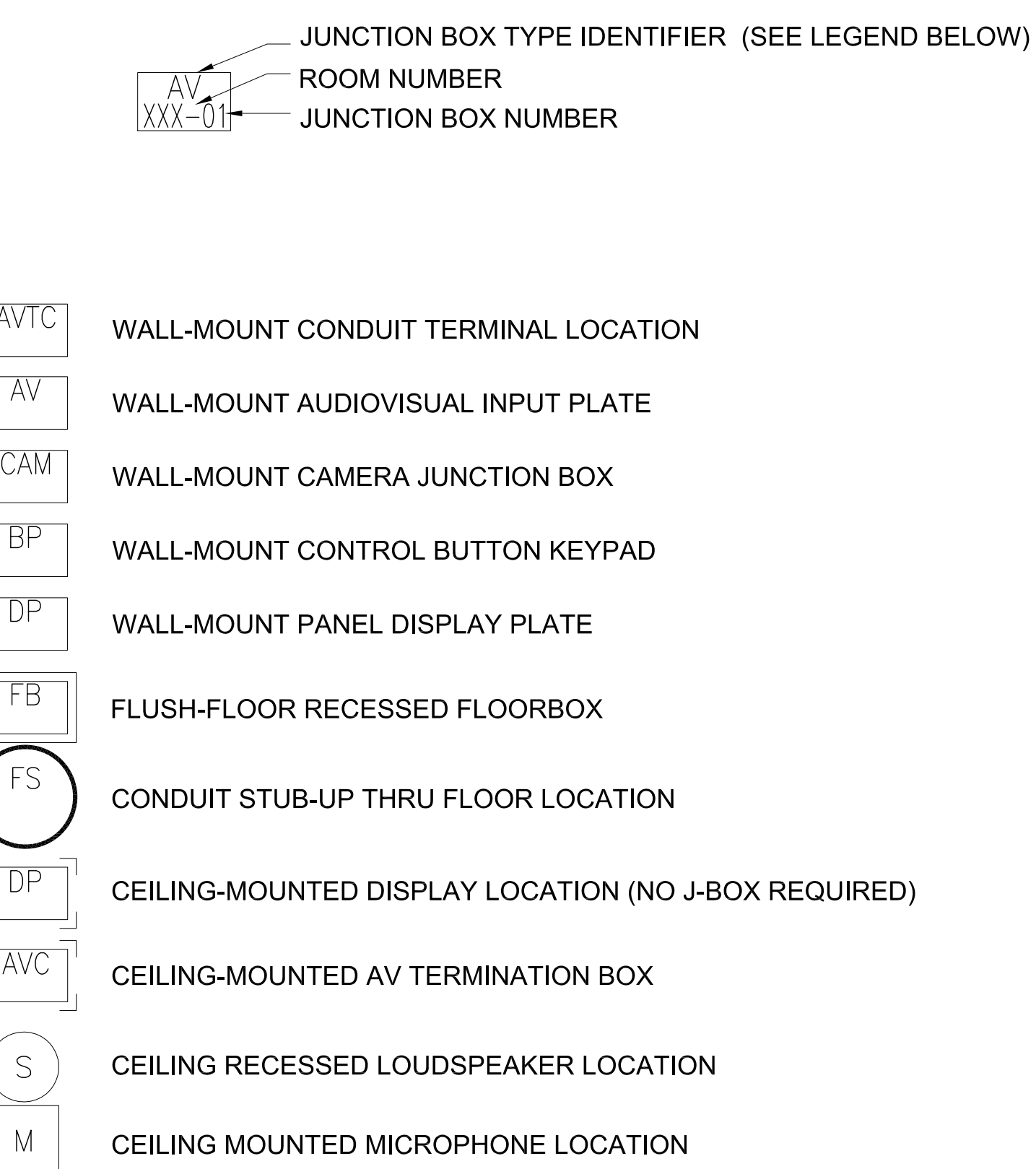


**AV ABBREVIATIONS**

- A.F.C. ABOVE FINISHED CEILING
- A.F.F. ABOVE FINISHED FLOOR
- AMP AMPERE
- A/R AS REQUIRED
- ARCH'L ARCHITECTURAL
- ARCH'T ARCHITECT
- A.V.C. AUDIOVISUAL (SYSTEMS) CONTRACTOR
- AV AUDIOVISUAL
- B.F.C. BELOW FINISHED CEILING
- BLDG. BUILDING
- C. (EMPTY) CONDUIT
- CKT. CIRCUIT
- C.L. CENTERLINE
- C-VID COMPOSITE VIDEO
- D.G. DEDICATED GROUND
- DIST. DISTANCE
- DN DOWN
- DP. DEEP (DEPTH)
- (E) EXISTING
- E.C. ELECTRICAL CONTRACTOR
- ELECT'L ELECTRICAL
- ETC. ET CETERA (AND SO FORTH)
- FLR FLOOR
- G.C. GENERAL CONTRACTOR
- H. HIGH
- HT. HEIGHT
- I.G. ISOLATED GROUND
- INC. INCORPORATED
- L LEFT
- L. LONG (LENGTH)
- LAN LOCAL AREA NETWORK
- LTD. LIMITED
- L.V. LOW VOLTAGE
- MAX. MAXIMUM
- MIN. MINIMUM
- MTD. MOUNTED
- NET NETWORK
- N.T.S. NOT TO SCALE
- O.F.E. OWNER FURNISHED EQUIPMENT
- PWR POWER
- QTY. QUANTITY
- R&S RING AND STRING
- R RIGHT (LOCATION)
- REQ'D REQUIRED
- RGBHV RED/GREEN/BLUE/HORIZ/VERT. SYNC
- SPKR SPEAKER (LOUDSPEAKER)
- STD. STANDARD
- SVHS SUPER VHS
- T.B.D. TO BE DETERMINED
- TEMP. TEMPORARY
- TYP. TYPICAL
- U.O.N. UNLESS OTHERWISE NOTED
- V VOLT (VOLTAGE)

**AV ELECTRICAL SYMBOLS LEGEND**

- THE FOLLOWING SPECIAL ELECTRICAL BOXES/DEVICES SHALL BE FURNISHED AND INSTALLED BY THE ELECTRICAL CONTRACTOR, UNLESS NOTED OTHERWISE:
- AC POWER RECEPTACLE, WALL-MOUNTED, 120 VOLT, QUAD 4-PLEX, AMP LOAD AS INDICATED ON 'AV ELECTRICAL PLAN'. RECEPTACLE SHALL BE ON A DEDICATED 'AUDIOVISUAL POWER' CIRCUIT, WITH ISOLATED or DEDICATED GROUND [SEE 'ELECTRICAL NOTE 7 / THIS DWG.']. MOUNT FLUSH WITH FINISHED WALL TREATMENT AT BUILDING STANDARD BASE ELECTRICAL BOX HEIGHT, UNLESS NOTED OTHERWISE.
  - AC POWER RECEPTACLE, CEILING-MOUNTED, 120 VOLT, DUPLEX, w/ ISOLATED or DEDICATED GROUND [SEE 'ELECTRICAL NOTE 7 / THIS DWG.']. AMP LOAD AS INDICATED ON 'AV ELECTRICAL PLAN'. RECEPTACLE SHALL BE ON A DEDICATED 'AUDIOVISUAL POWER' CIRCUIT. MOUNT FLUSH WITH FINISHED WALL or MILLWORK TREATMENT AT BUILDING STANDARD BASE ELECTRICAL BOX HEIGHT, UNLESS NOTED OTHERWISE.
  - AC POWER RECEPTACLE, CEILING-MOUNTED, 120 VOLT, DUPLEX, w/ ISOLATED or DEDICATED GROUND [SEE 'ELECTRICAL NOTE 7 / THIS DWG.']. AMP LOAD AS INDICATED ON 'AV ELECTRICAL PLAN'. RECEPTACLE SHALL BE ON A DEDICATED 'AUDIOVISUAL POWER' CIRCUIT. MOUNT ABOVE FINISHED ACCESSIBLE CEILING, ADJACENT TO LCD PROJECTOR SUPPORT HARDWARE, UNLESS NOTED OTHERWISE.
  - VOICE/DATA RECEPTACLE (FOR BUILDING-WIDE COMPUTER NETWORK & ANALOG TELEPHONE SYSTEMS), MULTI-GANG BACKBOX WITH MULTI-GANG PLASTER RING AND COVER PLATE. MOUNT FLUSH WITH FINISHED WALL TREATMENT, AT BUILDING STANDARD BASE ELECTRICAL BOX HEIGHT, UNLESS NOTED OTHERWISE. SUBSCRIPT (#) DENOTES QUANTITY OF DATA, ISDN, and/or VOICE LINES REQUIRED BY AUDIOVISUAL EQUIPMENT.



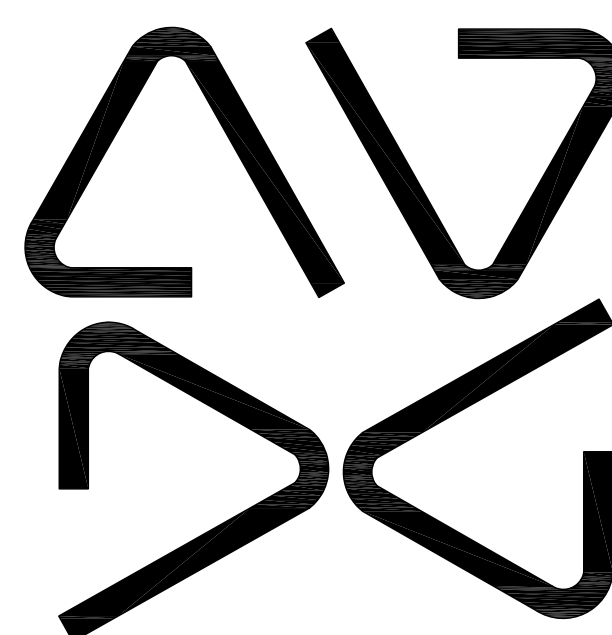
**ELECTRICAL FOR AUDIOVISUAL DRAWING INDEX**

- EA0.01 ELECTRICAL FOR AUDIOVISUAL: COVER SHEET
- EA1.01 ELECTRICAL FOR AUDIOVISUAL: FIRST FLOOR PLAN
- EA1.02 ELECTRICAL FOR AUDIOVISUAL: SECOND FLOOR PLAN
- EA2.01 ELECTRICAL FOR AUDIOVISUAL: FIRST FLOOR REFLECTED CEILING PLAN
- EA2.02 ELECTRICAL FOR AUDIOVISUAL: SECOND FLOOR REFLECTED CEILING PLAN

**AUDIOVISUAL FUNCTIONAL DRAWING INDEX**

- AV5.01A-G AUDIOVISUAL: 'COMMONS' FUNCTIONAL DIAGRAM
- AV5.02A-C AUDIOVISUAL: 'POLARIS' FUNCTIONAL DIAGRAM
- AV5.03A-C AUDIOVISUAL: 'CAPELLA' FUNCTIONAL DIAGRAM
- AV5.04A-C AUDIOVISUAL: 'THE ATOM' CLASSROOM FUNCTIONAL DIAGRAM
- AV5.05A-C AUDIOVISUAL: 'THE SANCTUARY' FUNCTIONAL DIAGRAM
- AV5.06A-C AUDIOVISUAL: LARGE VTC FUNCTIONAL DIAGRAM
- AV5.07 AUDIOVISUAL: SMALL VTC FUNCTIONAL DIAGRAM
- AV5.08 AUDIOVISUAL: PHONE BOOTH FUNCTIONAL DIAGRAM
- AV5.09 AUDIOVISUAL: GYM FUNCTIONAL DIAGRAM
- AV5.10 AUDIOVISUAL: GAME ROOM FUNCTIONAL DIAGRAM

# MOZILLA CORPORATION MOUNTAIN VIEW CAMPUS AUDIOVISUAL AS-BUILT SET



**AUDIO VISUAL DESIGN GROUP, INC.**  
 2143 E. Francisco Blvd.  
 San Rafael, CA 94901  
 [415] 455-9913 Main  
 [415] 532-2533 Fax  
 www.AVDG.com

**MKTHINK**

Architects:  
 MKTHINK  
 Roundhouse One, 1500 Sansome Street  
 San Francisco, CA 94111  
 p 415 402 0888  
 f 415 288 3383  
 mkthink.com

All drawings and written material contained herein constitute original and unpublished work of the architect and may not be duplicated, used or disclosed without written consent of the architect. Accuracy of drawings is for design purposes only. Do not scale off drawings.

Project:  
 Mozilla - MOUNTAIN VIEW  
 331 EVELYN STREET,  
 MOUNTAIN VIEW, CA 94041

Project Number:  
 355-131



Clients:  
 The Mozilla Corporation  
 650 Castro Street, Suite 300  
 Mountain View, CA 94041

Audio Visual System Engineered by:  
**AUDIO VISUAL**  
 Design Group, Inc.

Audio Visual Design Group, Inc.  
 2143 E. Francisco Blvd,  
 San Rafael, California, 94901  
 415 . 455 . 9913 - f. 415 . 532 . 2533  
 www . AVDG . com

Rev.	Issue	Date
-	BID SET	10.23.2013
-	AV REVISION SET	11.13.2013
-	AV REVISION SET	12.23.2013
-	AV REVISION SET	01.27.2013
-	AV REVISION SET	02.11.2014
-	AV REVISION SET	02.19.2014
-	AV AS-BUILTS	04.28.2014

Seal:

Scale:

Drawing Description:  
**Electrical for Audiovisual:  
 Cover Sheet**

Drawn By: ALS Checked By: TH  
 Sheet Number:

**EA0.01**

Architects:  
 MKTHINK  
 Roundhouse One, 1500 Sansome Street  
 San Francisco, CA 94111  
 p 415 402 0888  
 f 415 288 3383  
 mkthink.com

All drawings and when material contained herein constitute original and unpublished work of the architect and may not be duplicated, used or disclosed without written consent of the architect. Accuracy of drawings is for design purposes only. Do not scale off drawings.

Project:  
 Mozilla - MOUNTAIN VIEW  
 331 EVELYN STREET,  
 MOUNTAIN VIEW, CA 94041

Project Number:  
 355-131



Clients:  
 The Mozilla Corporation  
 650 Castro Street, Suite 300  
 Mountain View, CA 94041

Audio Visual System Engineered by:  
**AUDIO VISUAL**  
 Design Group, Inc.

Audio Visual Design Group, Inc.  
 2143 E. Francisco Blvd,  
 San Rafael, California, 94901  
 415 . 455 . 9913 - f. 415 . 532 . 2533  
 www . AVDG . com



Rev.	Issue	Date
-	BID SET	10.23.2013
-	AV REVISION SET	11.13.2013
-	AV REVISION SET	12.23.2013
-	AV REVISION SET	01.27.2013
-	AV REVISION SET	02.11.2014
-	AV REVISION SET	02.19.2014
-	AV AS-BUILTS	04.28.2014

Seal:

Scale:  
**SCALE: 1/8" = 1'-0"**

Drawing Description:  
**Electrical for Audiovisual:  
 First Floor Plan**

Drawn By: ALS Checked By: TH  
 Sheet Number:

**EA1.01**

Architects:  
 MKTHINK  
 Roundhouse One, 1500 Sansome Street  
 San Francisco, CA 94111  
 p 415 402 0888  
 f 415 288 3383  
 mkthink.com

All drawings and written material contained herein constitute original and unpublished work of the architect and may not be duplicated, used or disclosed without written consent of the architect. Accuracy of drawings is for design purposes only. Do not scale off drawings.

Project:  
 Mozilla - MOUNTAIN VIEW  
 331 EVELYN STREET,  
 MOUNTAIN VIEW, CA 94041

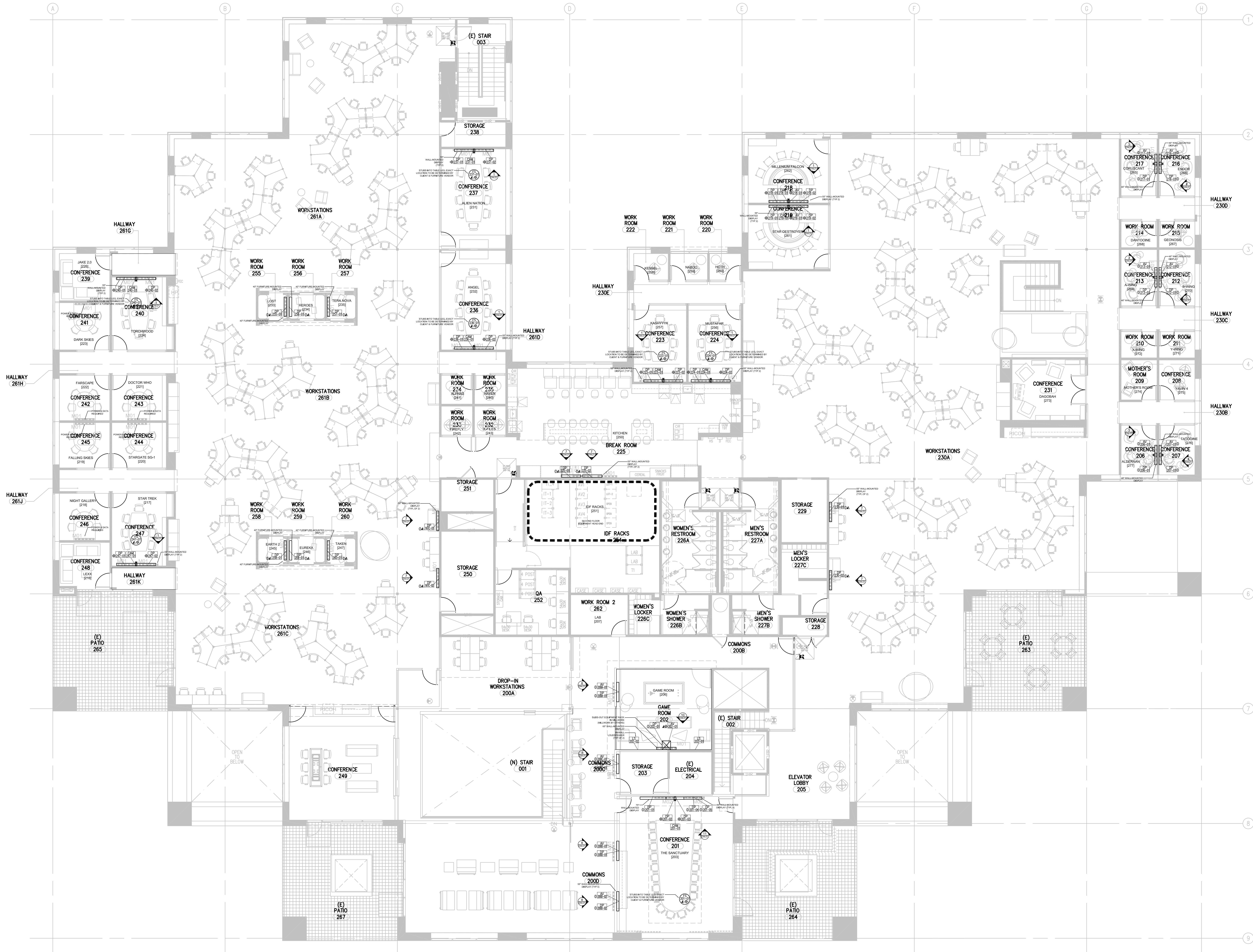
Project Number:  
 355-131



Clients:  
 The Mozilla Corporation  
 650 Castro Street, Suite 300  
 Mountain View, CA 94041

Audio Visual System Engineered by:  
**AUDIO VISUAL**  
 Design Group, Inc.

Audio Visual Design Group, Inc.  
 2143 E. Francisco Blvd,  
 San Rafael, California, 94901  
 415 . 455 . 9913 - f . 415 . 532 . 2533  
 www . AVDG . com



Rev.	Issue	Date
-	BID SET	10.23.2013
-	AV REVISION SET	11.13.2013
-	AV REVISION SET	12.23.2013
-	AV REVISION SET	01.27.2013
-	AV REVISION SET	02.11.2014
-	AV REVISION SET	02.19.2014
-	AV AS-BUILTS	04.28.2014

Seat:

Scale:  
**SCALE: 1/8" = 1'-0"**

Drawing Description:  
**Electrical for Audiovisual:  
 Second Floor Plan**

Drawn By: ALS Checked By: TH

Sheet Number:

**EA1.02**

Architects:  
 MKTHINK  
 Roundhouse One, 1500 Sansome Street  
 San Francisco, CA 94111  
 P 415 402 0888  
 F 415 288 3383  
 mkthink.com

All drawings and when written material contained herein constitute original and unpublished work of the architect and may not be duplicated, used or disclosed without written consent of the architect. Accuracy of drawings is for design purposes only. Do not scale off drawings.

Project:  
 Mozilla - MOUNTAIN VIEW  
 331 EVELYN STREET,  
 MOUNTAIN VIEW, CA 94041

Project Number:  
 355-131



Clients:  
 The Mozilla Corporation  
 650 Castro Street, Suite 300  
 Mountain View, CA 94041

Audio Visual System Engineered by:  
**AUDIO VISUAL**  
 Design Group, Inc.

Audio Visual Design Group, Inc.  
 2143 E. Francisco Blvd,  
 San Rafael, California, 94901  
 415 . 455 . 9913 - f. 415 . 532 . 2533  
 www . AVDG . com



Rev.	Issue	Date
-	BID SET	10.23.2013
-	AV REVISION SET	11.13.2013
-	AV REVISION SET	12.23.2013
-	AV REVISION SET	01.27.2013
-	AV REVISION SET	02.11.2014
-	AV REVISION SET	02.19.2014
-	AV AS-BUILTS	04.28.2014

Seat:

Scale:  
**SCALE: 1/8" = 1'-0"**

Drawing Description:  
**Electrical for Audiovisual:  
 First Floor RCP**

Drawn By: ALS Checked By: TH  
 Sheet Number:

**EA2.01**



Rev.	Issue	Date
-	BID SET	10.23.2013
-	AV REVISION SET	11.13.2013
-	AV REVISION SET	12.23.2013
-	AV REVISION SET	01.27.2013
-	AV REVISION SET	02.11.2014
-	AV REVISION SET	02.19.2014
-	AV AS-BUILTS	04.28.2014

Seat:

Scale:  
**SCALE: 1/8" = 1'-0"**

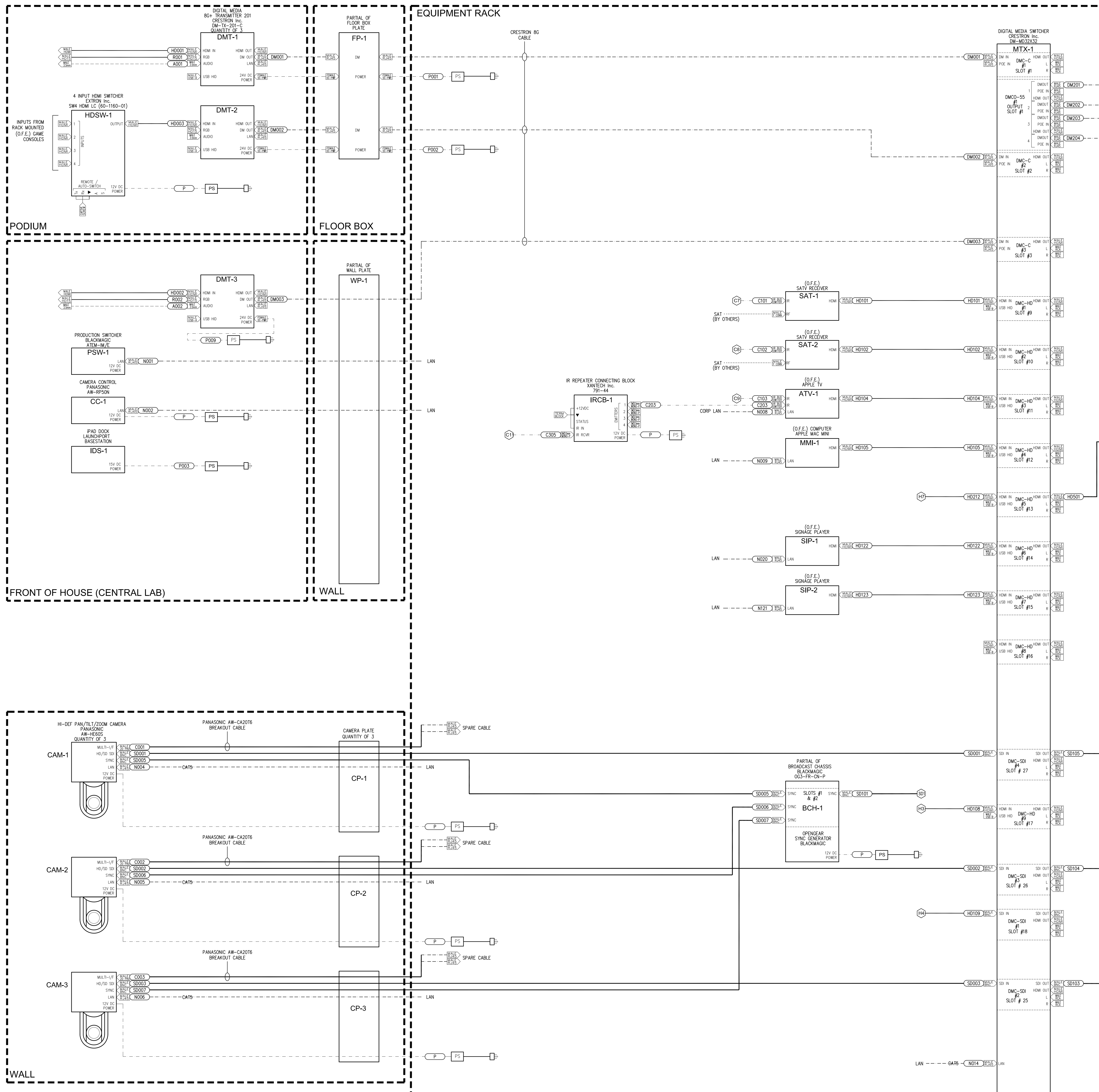
Drawing Description:  
**Electrical for Audiovisual:  
Second Floor RCP**

Drawn By: ALS Checked By: TH  
Sheet Number:

**EA2.02**



SEE AV5.01B FOR DM SWITCHER OUTPUT DETAILS



Rev.	Issue	Date
-	BID SET	10.23.2013
-	AV REVISION SET	11.13.2013
-	AV REVISION SET	12.23.2013
-	AV REVISION SET	01.27.2014
-	AV REVISION SET	02.11.2014
-	AV REVISION SET	02.19.2014
-	AV AS-BUILTS	04.28.2014

Seal:

Scale:

Drawing Description:  
**Audiovisual: Commons**  
Functional Diagram

Drawn By: ALS Checked By: TH  
Sheet Number:

SEE AV5.01C & AV5.01D FOR CONTINUATION OF AV RACK



Rev.	Issue	Date
-	BID SET	10.23.2013
-	AV REVISION SET	11.13.2013
-	AV REVISION SET	12.23.2013
-	AV REVISION SET	01.27.2014
-	AV REVISION SET	02.11.2014
-	AV REVISION SET	02.19.2014
-	AV AS-BUILTS	04.28.2014

Seal:

Scale:

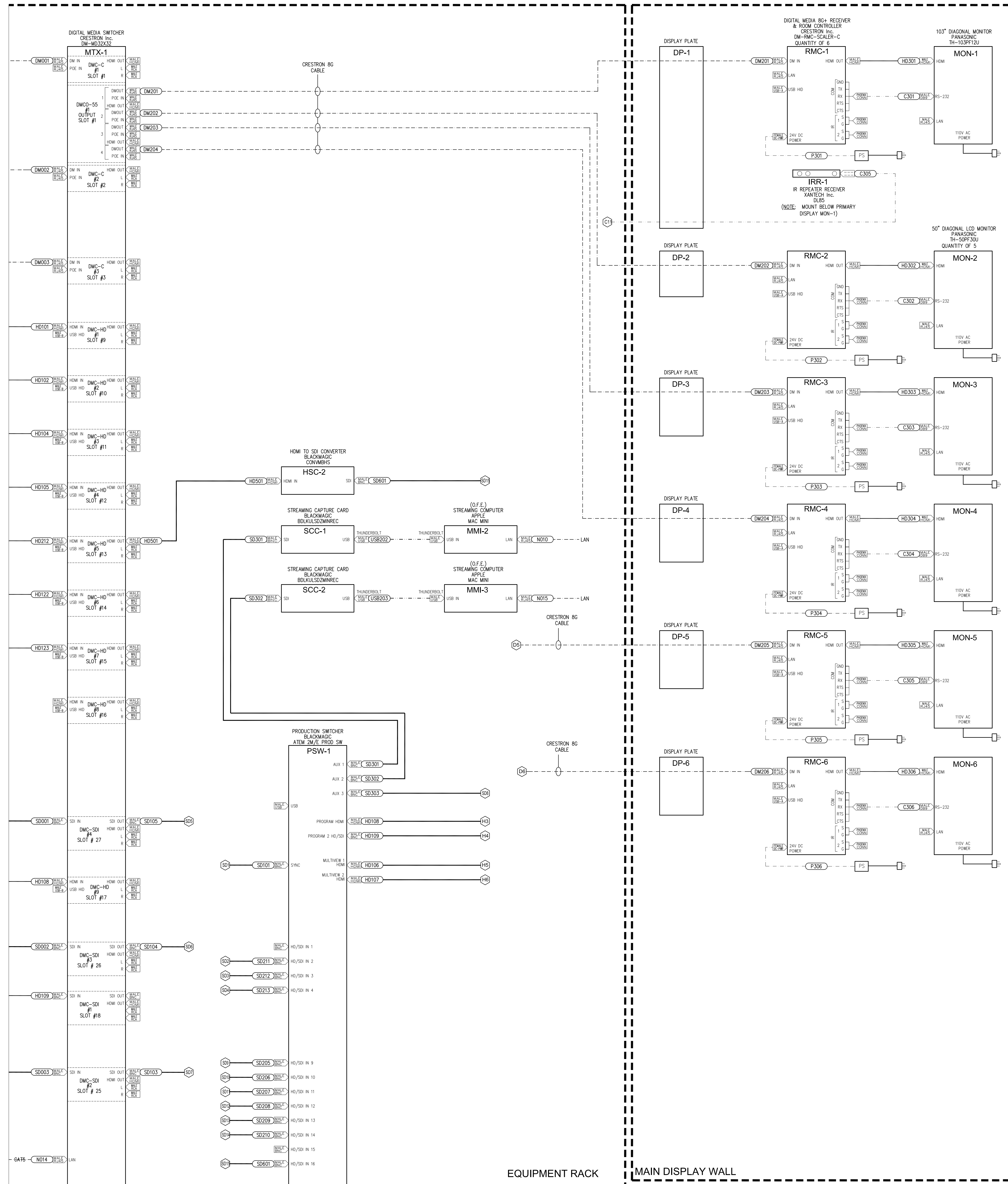
Drawing Description:  
**Audiovisual: Commons  
 Functional Diagram**

Drawn By: ALS Checked By: TH  
 Sheet Number:

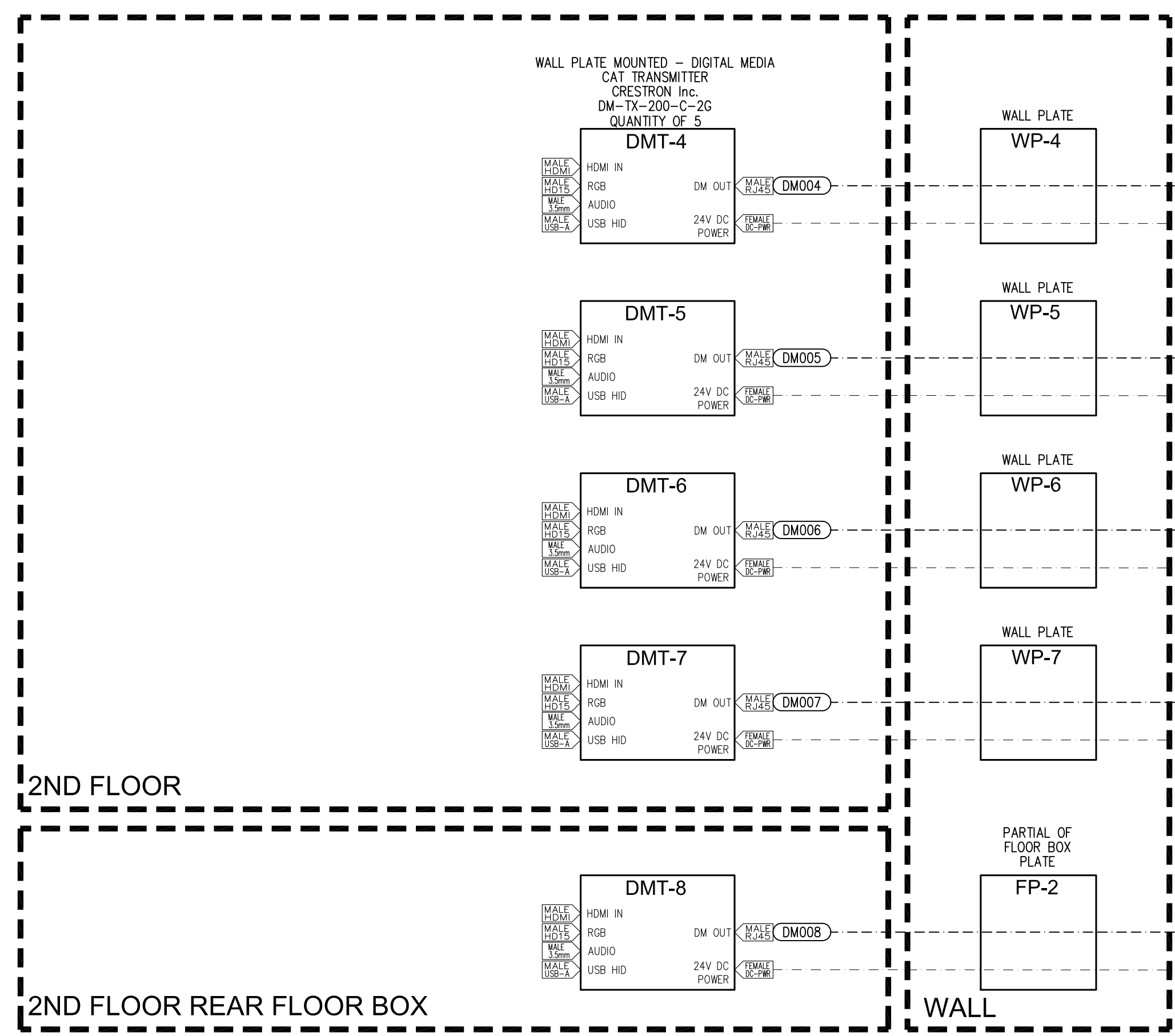
## AV5.01B

SEE AV5.01A FOR DM SWITCHER INPUT DETAILS

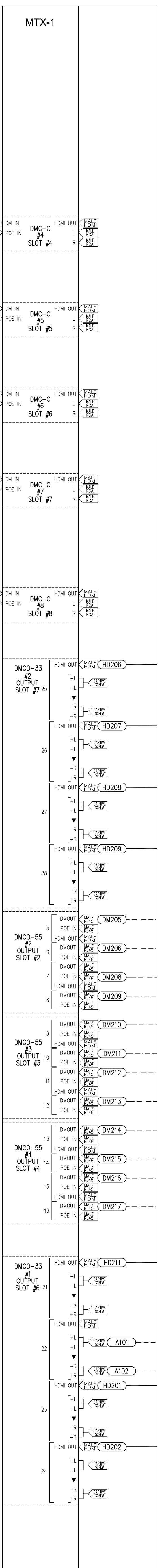
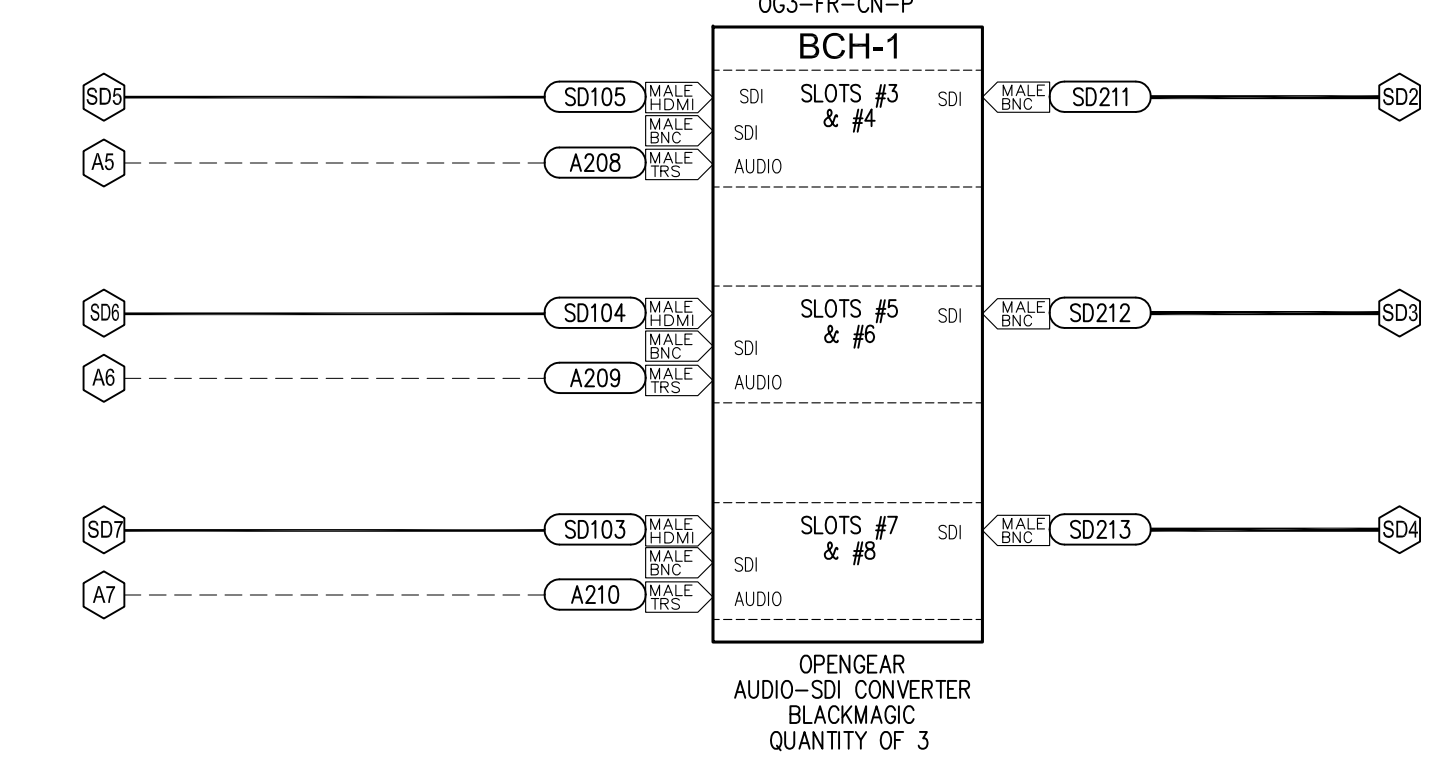
SEE AV5.01C & AV5.01D FOR CONTINUATION OF AV RACK



SEE AV5.01A & AV5.01B FOR CONTINUATION OF AV RACK



EQUIPMENT RACK



SEE AV5.01D FOR DM SWITCHER OUTPUT DETAILS

SEE AV5.01E FOR CONTINUATION OF AV RACK

Architects:  
MKTHINK  
Roundhouse One, 1500 Sansome Street  
San Francisco, CA 94111  
p 415 402 0888  
f 415 298 3383  
mkthink.com

Project:  
Mozilla - MOUNTAIN VIEW  
331 EVELYN STREET,  
MOUNTAIN VIEW, CA 94041

Project Number:  
355-131



Clients:  
The Mozilla Corporation  
650 Castro Street, Suite 300  
Mountain View, CA 94041

Audio Visual System Engineered by:  
**AUDIO VISUAL**  
Design Group, Inc.

Audio Visual Design Group, Inc.  
2143 E. Francisco Blvd,  
San Rafael, California, 94901  
415 . 455 . 9913 - f. 415 . 532 . 2533  
www . AVDG . com

Rev.	Issue	Date
-	BID SET	10.23.2013
-	AV REVISION SET	11.13.2013
-	AV REVISION SET	12.23.2013
-	AV REVISION SET	01.27.2013
-	AV REVISION SET	02.11.2014
-	AV REVISION SET	02.19.2014
-	AV AS-BUILTS	04.28.2014

Seal:

Scale:

Drawing Description:  
**Audiovisual: Commons Functional Diagram**

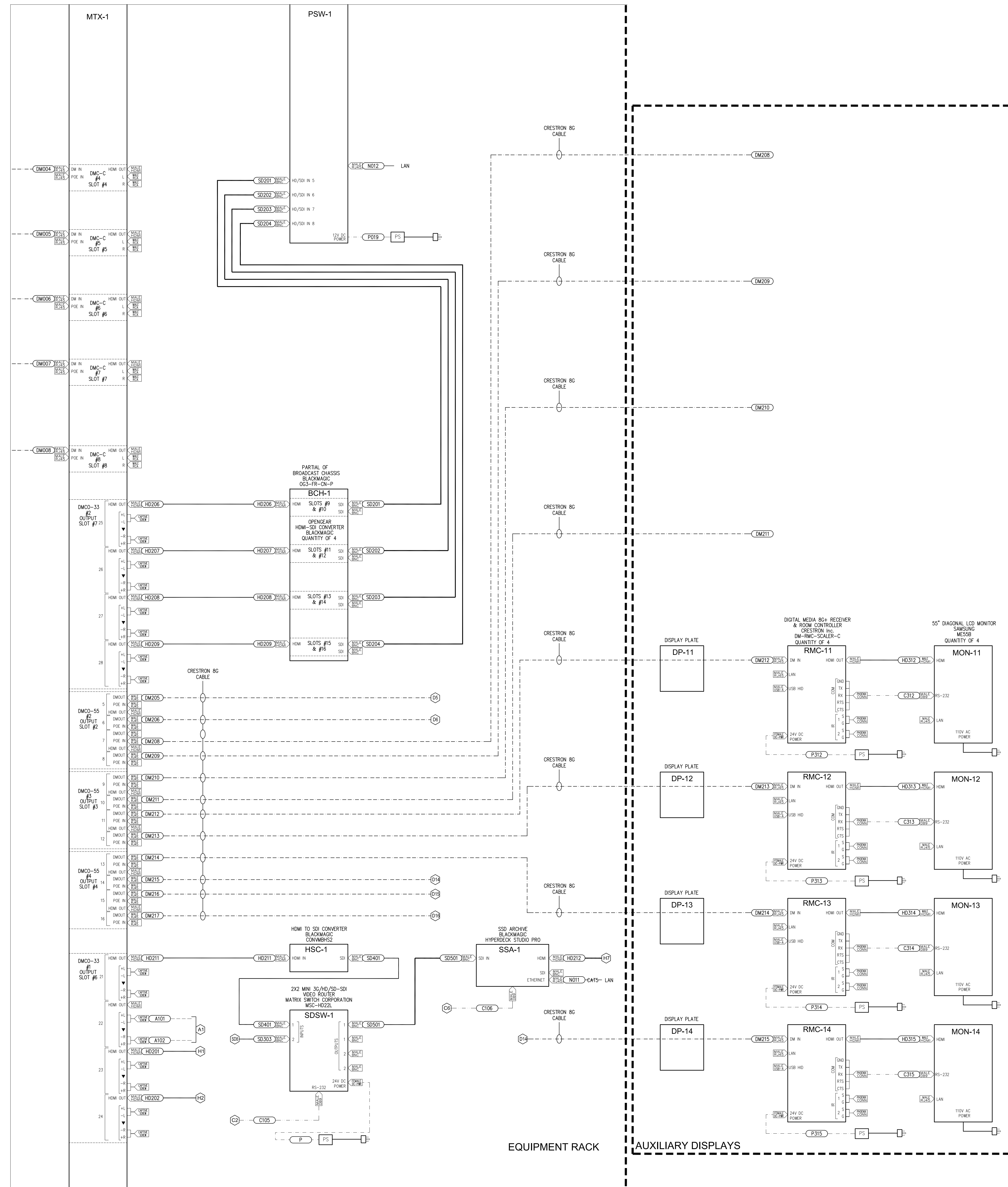
Drawn By: ALS Checked By: TH  
Sheet Number:



SEE AV5.01A & AV5.01B FOR CONTINUATION OF AV RACK

SEE AV5.01C FOR DM SWITCHER INPUT DETAILS

SEE AV5.01E FOR CONTINUATION OF AV RACK



MKTHINK

Architects:  
MKTHINK  
Roundhouse One, 1500 Sansome Street  
San Francisco, CA 94111  
p 415 402 0888  
f 415 298 3383  
mkthink.com

All drawings and written material contained herein constitute original and unpublished work of the architect and may not be duplicated, used or disclosed, without written consent of the architect. Accuracy of drawings is for design purposes only. Do not scale off drawings.

Project:  
Mozilla - MOUNTAIN VIEW  
331 EVELYN STREET,  
MOUNTAIN VIEW, CA 94041

Project Number:  
355-131



Clients:  
The Mozilla Corporation  
650 Castro Street, Suite 300  
Mountain View, CA 94041

Audio Visual System Engineered by:  
**AUDIO VISUAL**  
Design Group, Inc.

Audio Visual Design Group, Inc.  
2145 E. Francisco Blvd.  
San Rafael, California, 94901  
415 . 455 . 9913 - f . 415 . 532 . 2533  
www . AVDG . com

Rev.	Issue	Date
-	BID SET	10.23.2013
-	AV REVISION SET	11.13.2013
-	AV REVISION SET	12.23.2013
-	AV REVISION SET	01.27.2013
-	AV REVISION SET	02.11.2014
-	AV REVISION SET	02.19.2014
-	AV AS-BUILTS	04.28.2014

Seal:

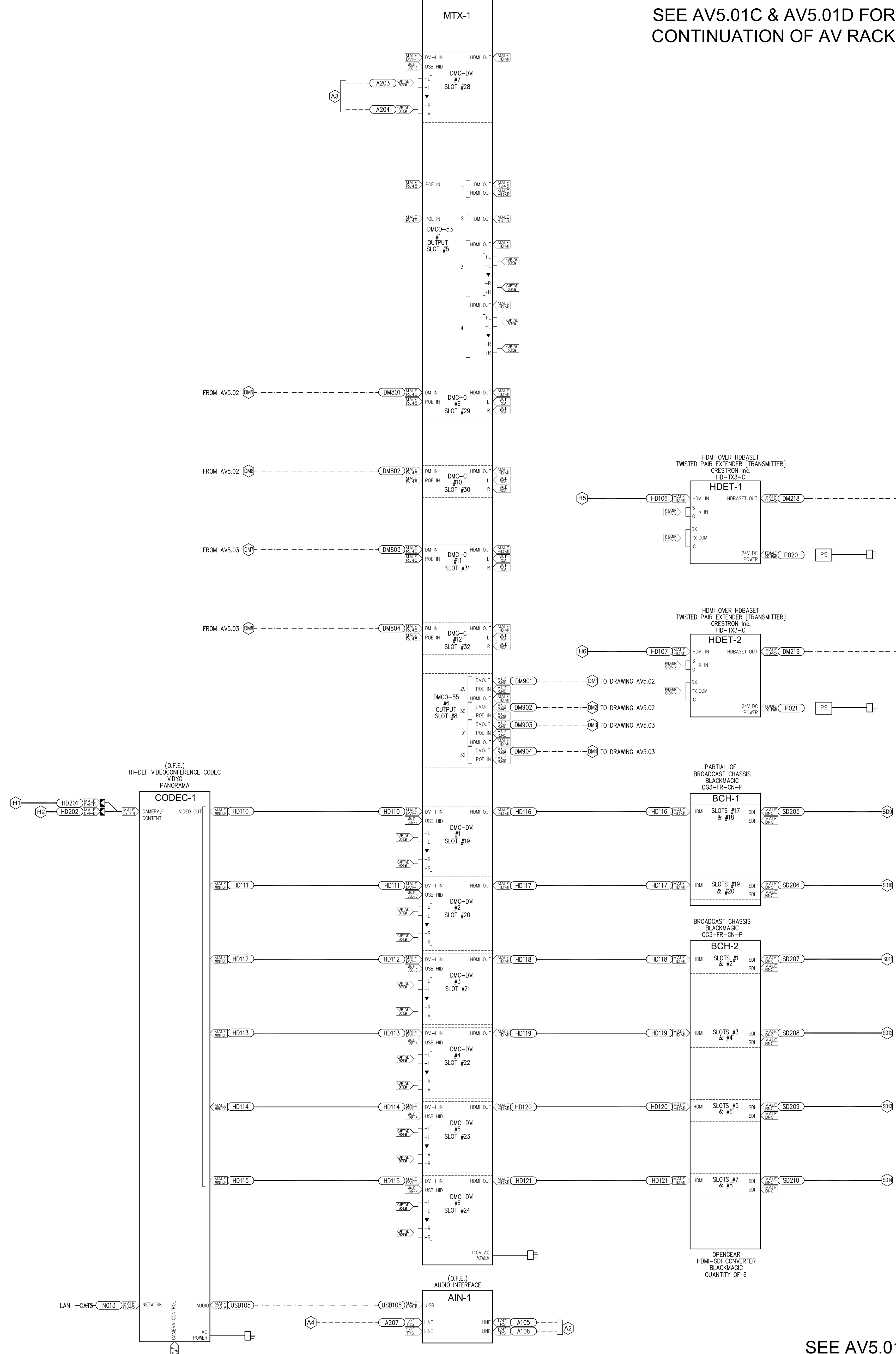
Scale:

Drawing Description:  
**Audiovisual: Commons**  
**Functional Diagram**

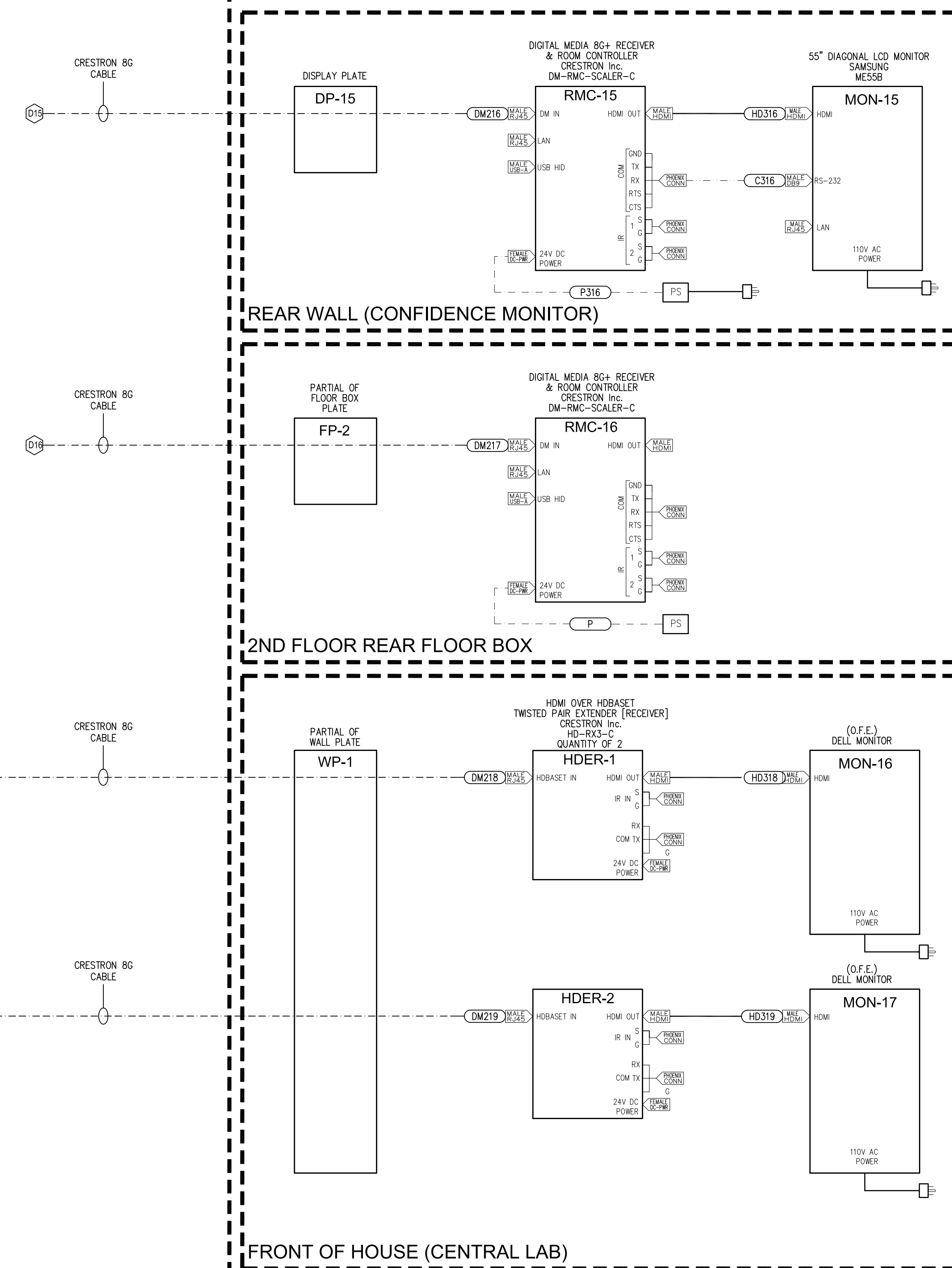
Drawn By: ALS Checked By: TH  
Sheet Number:

**AV5.01D**

SEE AV5.01C & AV5.01D FOR CONTINUATION OF AV RACK



SEE AV5.01F FOR CONTINUATION OF AV RACK



MKTHINK

Architects:  
MKTHINK  
Roundhouse One, 1500 Sansome Street  
San Francisco, CA 94111  
p 415 402 0888  
f 415 298 3383  
mkthink.com

Project:  
Mozilla - MOUNTAIN VIEW  
331 EVELYN STREET,  
MOUNTAIN VIEW, CA 94041

Project Number:  
355-131



Clients:  
The Mozilla Corporation  
650 Castro Street, Suite 300  
Mountain View, CA 94041

Audio Visual System Engineered by:  
**AUDIO VISUAL**  
Design Group, Inc.

Audio Visual Design Group, Inc.  
2143 E. Francisco Blvd,  
San Rafael, California, 94901  
415 . 455 . 9913 - f. 415 . 532 . 2533  
www . AVDG . com

Rev.	Issue	Date
-	BID SET	10.23.2013
-	AV REVISION SET	11.13.2013
-	AV REVISION SET	12.23.2013
-	AV REVISION SET	01.27.2013
-	AV REVISION SET	02.11.2014
-	AV REVISION SET	02.19.2014
-	AV AS-BUILTS	04.28.2014

Seal:

Scale:

Drawing Description:  
**Audiovisual: Commons**  
**Functional Diagram**

Drawn By: ALS Checked By: TH  
Sheet Number:

**AV5.01E**

EQUIPMENT RACK



Rev.	Issue	Date
-	BID SET	10.23.2013
-	AV REVISION SET	11.13.2013
-	AV REVISION SET	12.23.2013
-	AV REVISION SET	01.27.2014
-	AV REVISION SET	02.11.2014
-	AV REVISION SET	02.19.2014
-	AV AS-BUILTS	04.28.2014

Scale:

Scale:

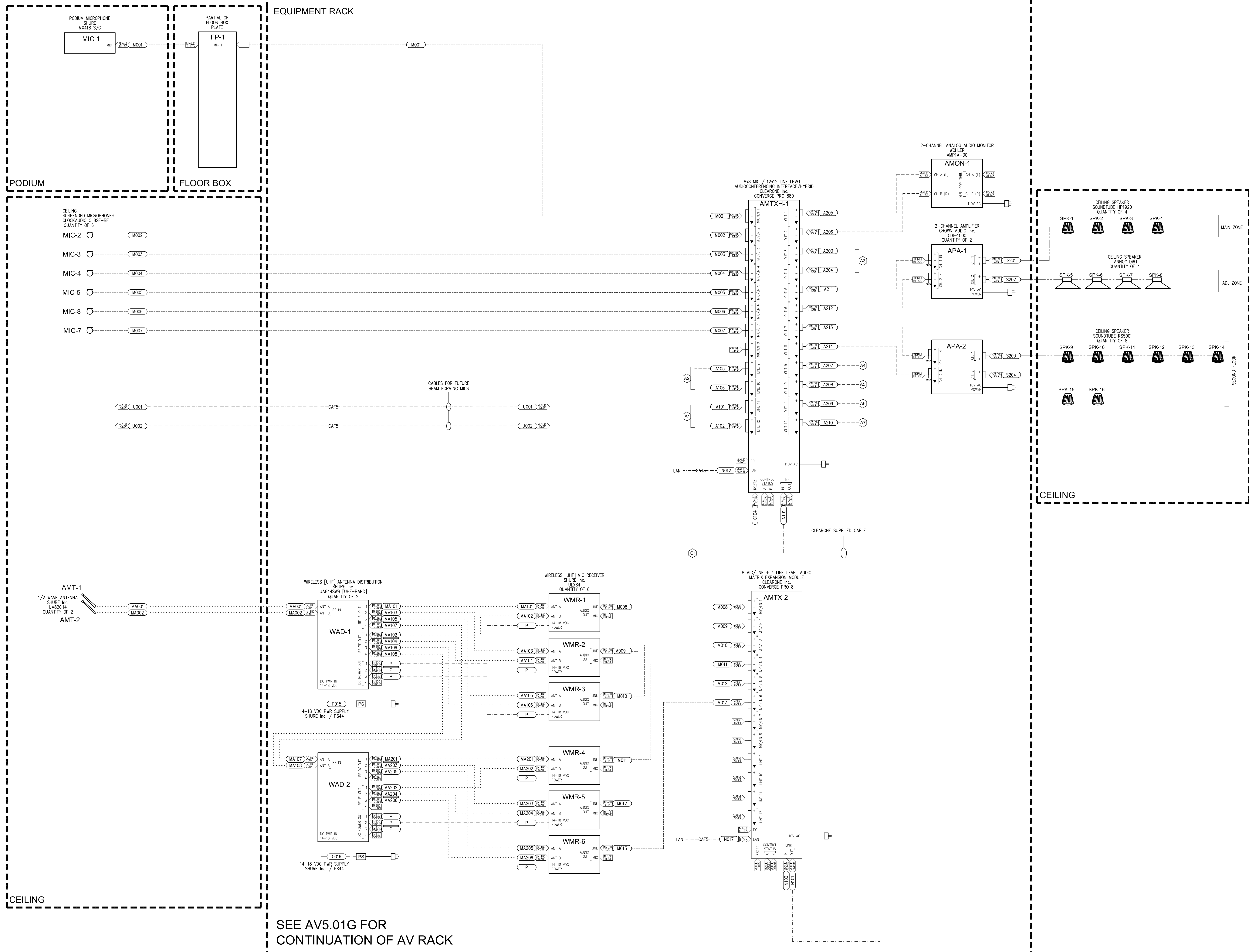
Drawing Description:  
**Audiovisual: Commons**  
**Functional Diagram**

Drawn By: ALS Checked By: TH  
 Sheet Number:

SEE AV5.01E FOR  
 CONTINUATION OF AV RACK

EQUIPMENT RACK

SEE AV5.01G FOR  
 CONTINUATION OF AV RACK



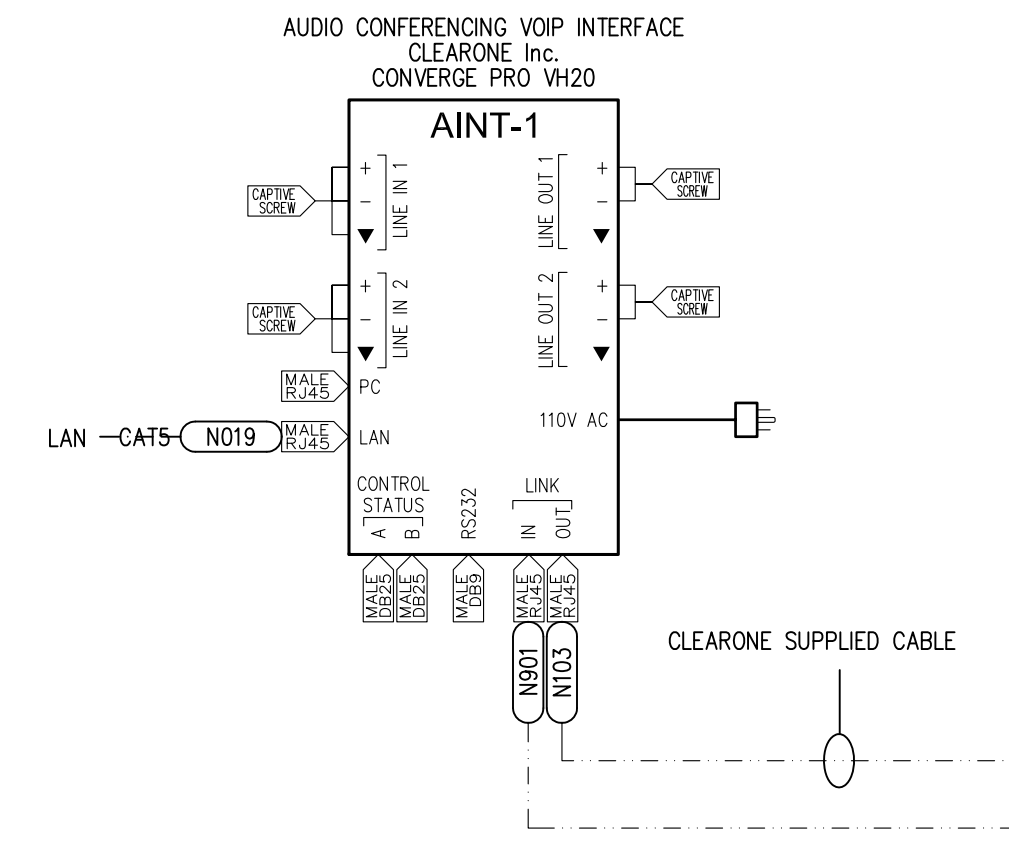
PODIUM

FLOOR BOX

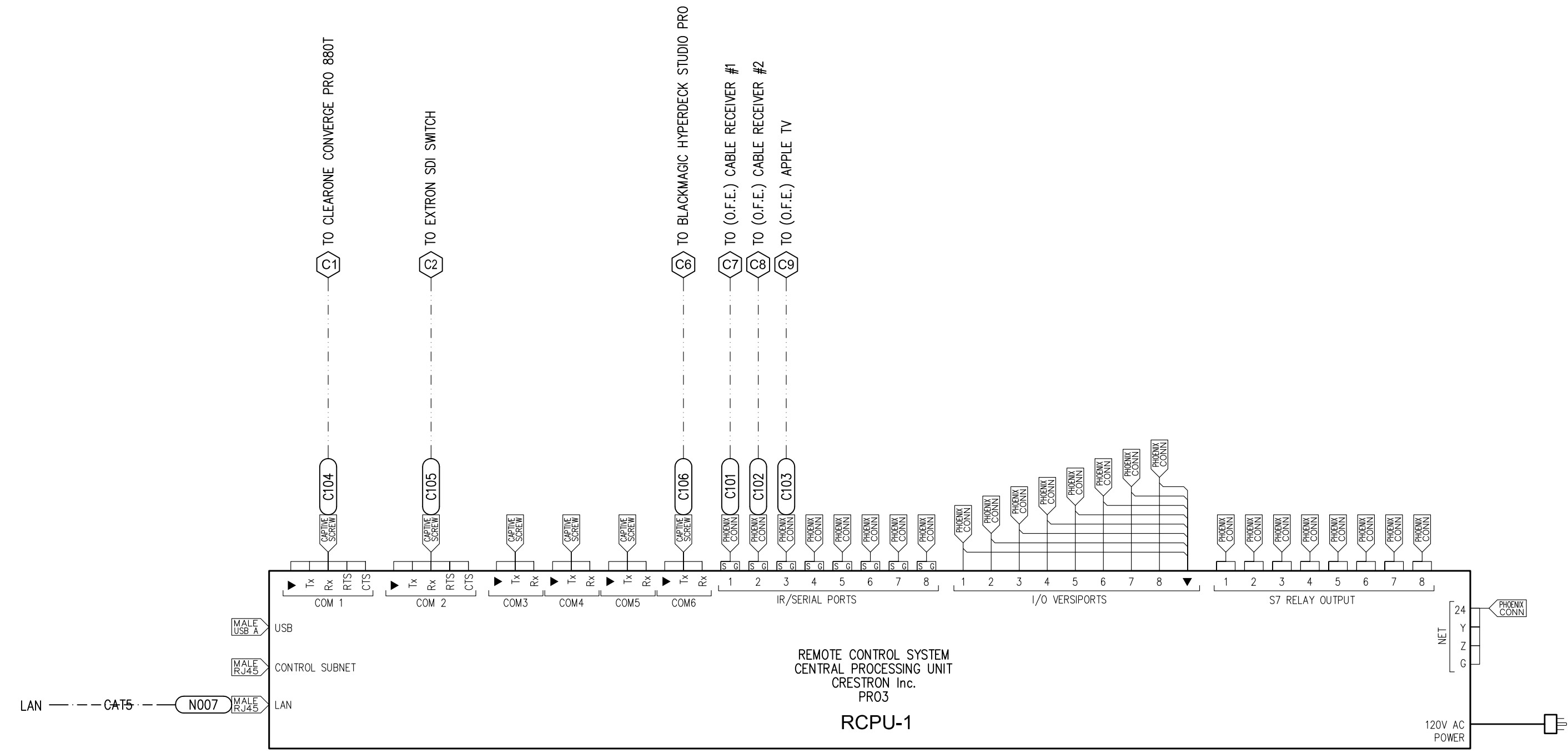
CEILING

CEILING

SEE AV5.01F FOR  
CONTINUATION OF AV RACK



FROM AV.502 ROOM 149 EQUIPMENT RACK



EQUIPMENT RACK

MKTHINK

Architects:  
MKTHINK  
Roundhouse One, 1500 Sansome Street  
San Francisco, CA 94111  
p 415 402 0888  
f 415 288 3383  
mkthink.com

All drawings and written material contained herein constitute original and unpublished work of the architect and may not be duplicated, used or disclosed, without written consent of the architect. Accuracy of drawings is for design purposes only. Do not scale off drawings.

Project:  
Mozilla - MOUNTAIN VIEW  
331 EVELYN STREET,  
MOUNTAIN VIEW, CA 94041

Project Number:  
355-131



Clients:  
The Mozilla Corporation  
650 Castro Street, Suite 300  
Mountain View, CA 94041

Audio Visual System Engineered by:

**AUDIO VISUAL**  
Design Group, Inc.

Audio Visual Design Group, Inc.  
2143 E. Francisco Blvd,  
San Rafael, California, 94901  
415 . 455 . 9913 - f. 415 . 532 . 2533  
www . AVDG . com

Rev.	Issue	Date
-	BID SET	10.23.2013
-	AV REVISION SET	11.13.2013
-	AV REVISION SET	12.23.2013
-	AV REVISION SET	01.27.2013
-	AV REVISION SET	02.11.2014
-	AV REVISION SET	02.19.2014
-	AV AS-BUILTS	04.28.2014

Seal:

Scale:

Drawing Description:  
**Audiovisual: Commons  
Functional Diagram**

Drawn By: ALS Checked By: TH  
Sheet Number:

**AV5.01G**



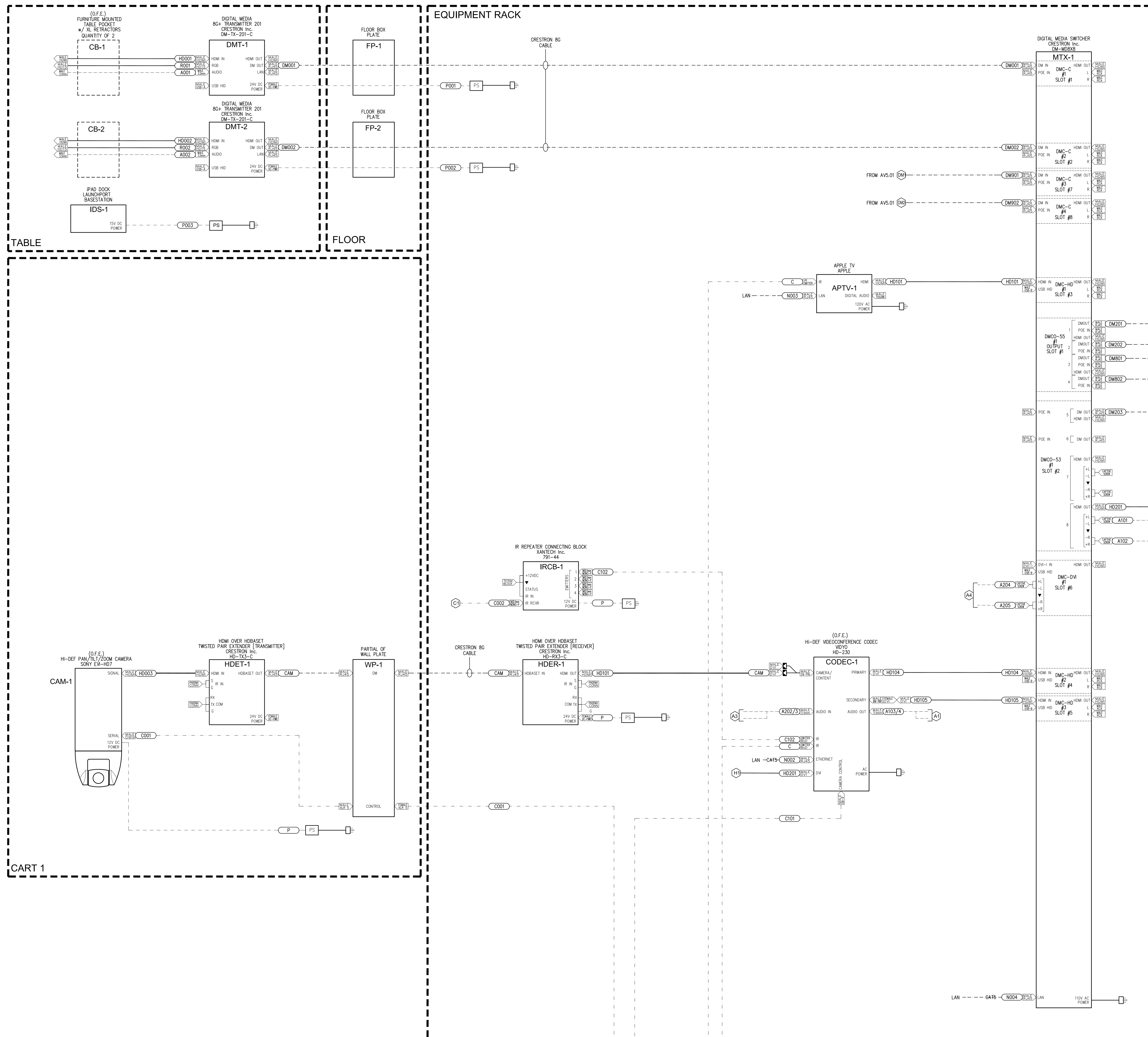
Rev.	Issue	Date
-	BID SET	10.23.2013
-	AV REVISION SET	11.13.2013
-	AV REVISION SET	12.23.2013
-	AV REVISION SET	01.27.2013
-	AV REVISION SET	02.11.2014
-	AV REVISION SET	02.19.2014
-	AV AS-BUILTS	04.28.2014

Seal:

Scale:

Drawing Description:  
**Audiovisual: 'Polaris'**  
**Functional Diagram**

Drawn By: ALS Checked By: TH  
 Sheet Number:



SEE AV5.02B FOR DM SWITCHER OUTPUT DETAILS

SEE AV5.02C FOR CONTINUATION OF AV RACK



Rev.	Issue	Date
-	BID SET	10.23.2013
-	AV REVISION SET	11.13.2013
-	AV REVISION SET	12.23.2013
-	AV REVISION SET	01.27.2013
-	AV REVISION SET	02.11.2014
-	AV REVISION SET	02.19.2014
-	AV AS-BUILTS	04.28.2014

Seal:

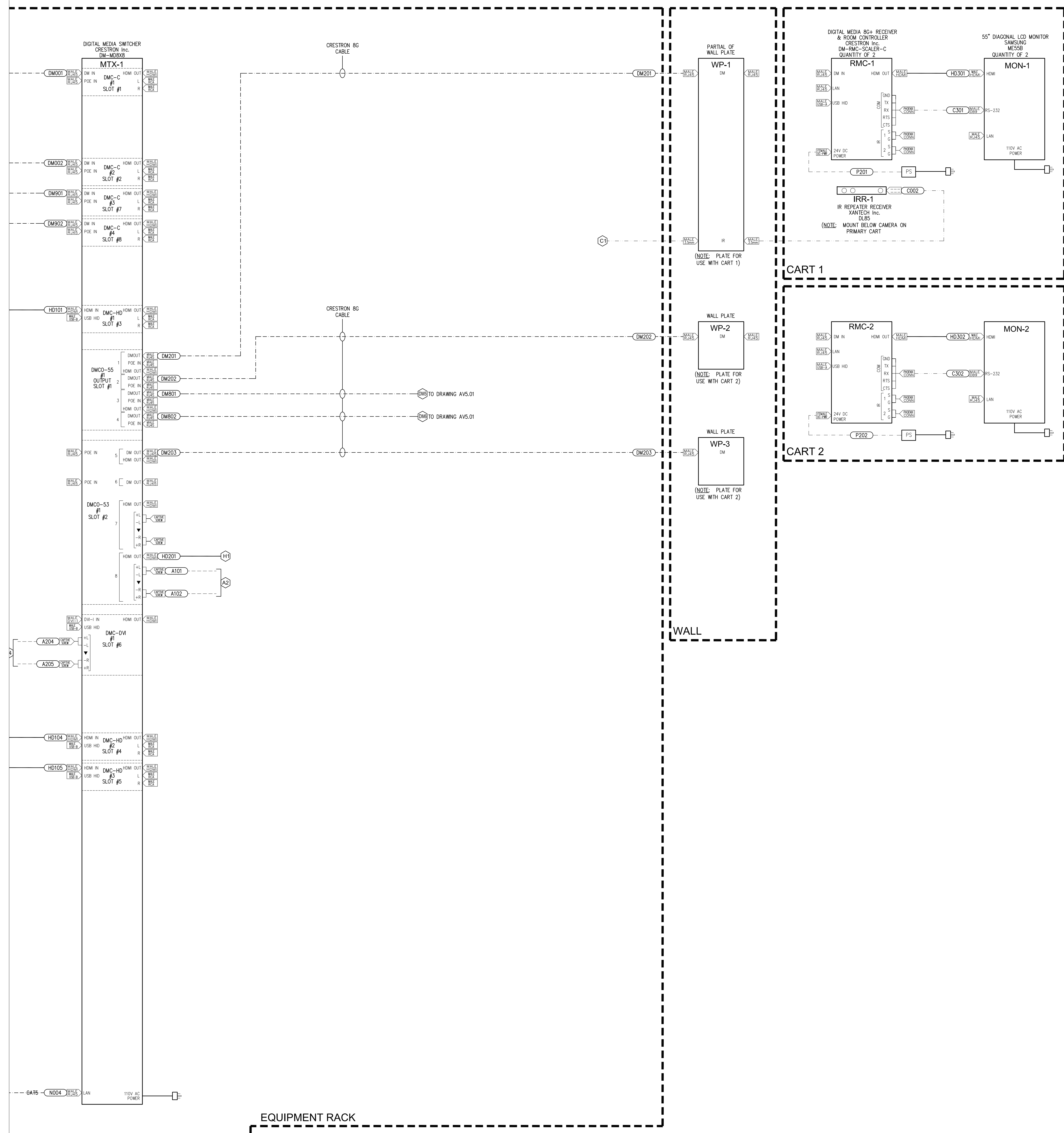
Scale:

Drawing Description:  
**Audiovisual: 'Polaris'  
 Functional Diagram**

Drawn By: ALS Checked By: TH

Sheet Number:

**AV5.02B**



SEE A5.02A FOR DM SWITCHER  
 INPUT DETAILS

SEE A5.02C FOR  
 CONTINUATION OF AV RACK

EQUIPMENT RACK

SEE AV5.02A & AV5.02B FOR CONTINUATION OF AV RACK

MKTHINK

Architects:  
MKTHINK  
Roundhouse One, 1500 Sansome Street  
San Francisco, CA 94111  
p 415 402 0888  
f 415 298 3383  
mkthink.com

Project:  
Mozilla - MOUNTAIN VIEW  
331 EVELYN STREET,  
MOUNTAIN VIEW, CA 94041

Project Number:  
355-131



Clients:  
The Mozilla Corporation  
650 Castro Street, Suite 300  
Mountain View, CA 94041

Audio Visual System Engineered by:  
**AUDIO VISUAL**  
Design Group, Inc.

Audio Visual Design Group, Inc.  
2143 E. Francisco Blvd,  
San Rafael, California, 94901  
415 . 455 . 9913 - f. 415 . 532 . 2533  
www . AVDG . com

Rev.	Issue	Date
-	BID SET	10.23.2013
-	AV REVISION SET	11.13.2013
-	AV REVISION SET	12.23.2013
-	AV REVISION SET	01.27.2014
-	AV REVISION SET	02.11.2014
-	AV REVISION SET	02.19.2014
-	AV AS-BUILTS	04.28.2014

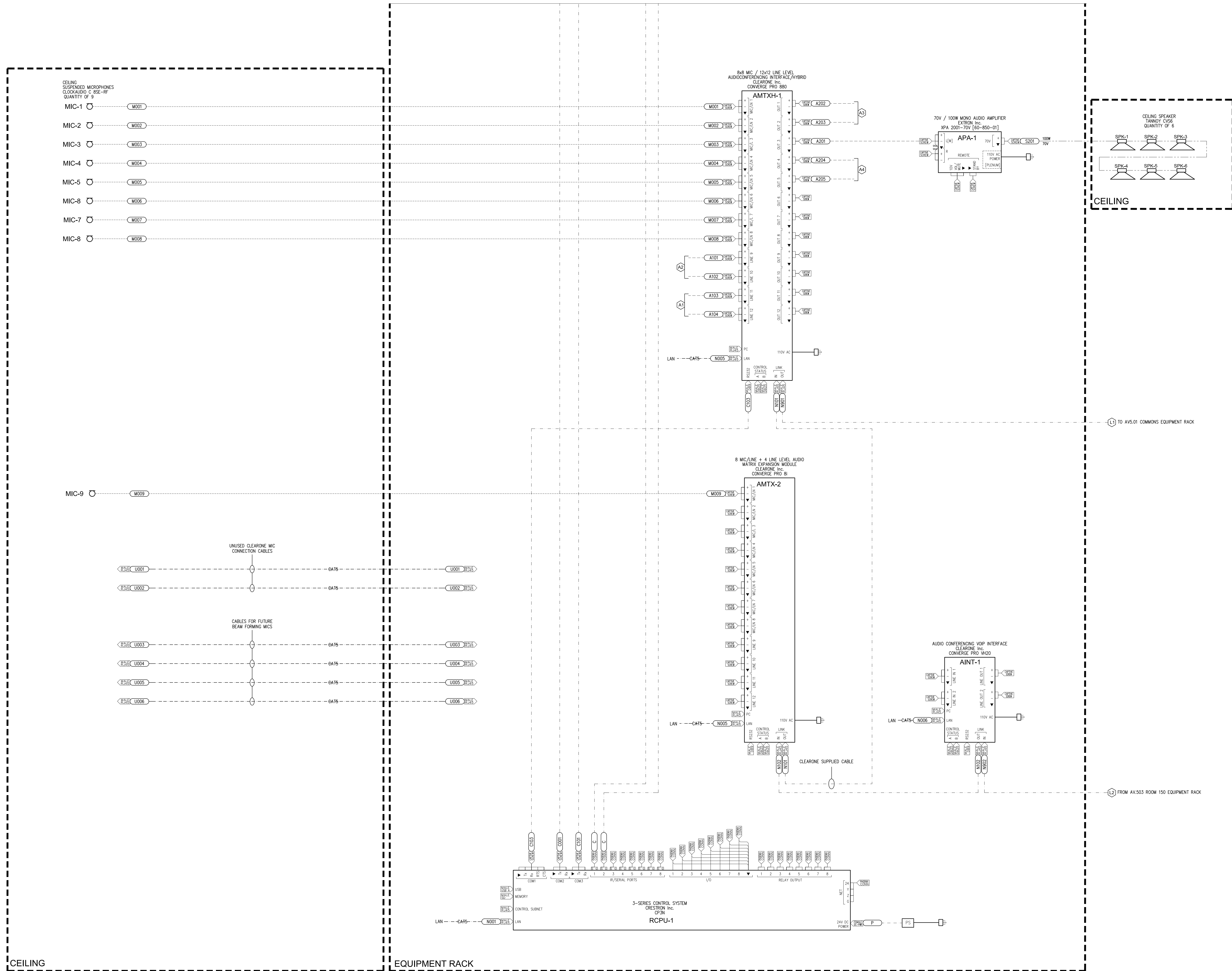
Seal:

Scale:

Drawing Description:  
**Audiovisual: 'Polaris'  
Functional Diagram**

Drawn By: ALS Checked By: TH  
Sheet Number:

**AV5.02C**





Rev.	Issue	Date
-	BID SET	10.23.2013
-	AV REVISION SET	11.13.2013
-	AV REVISION SET	12.23.2013
-	AV REVISION SET	01.27.2014
-	AV REVISION SET	02.11.2014
-	AV REVISION SET	02.19.2014
-	AV AS-BUILTS	04.28.2014

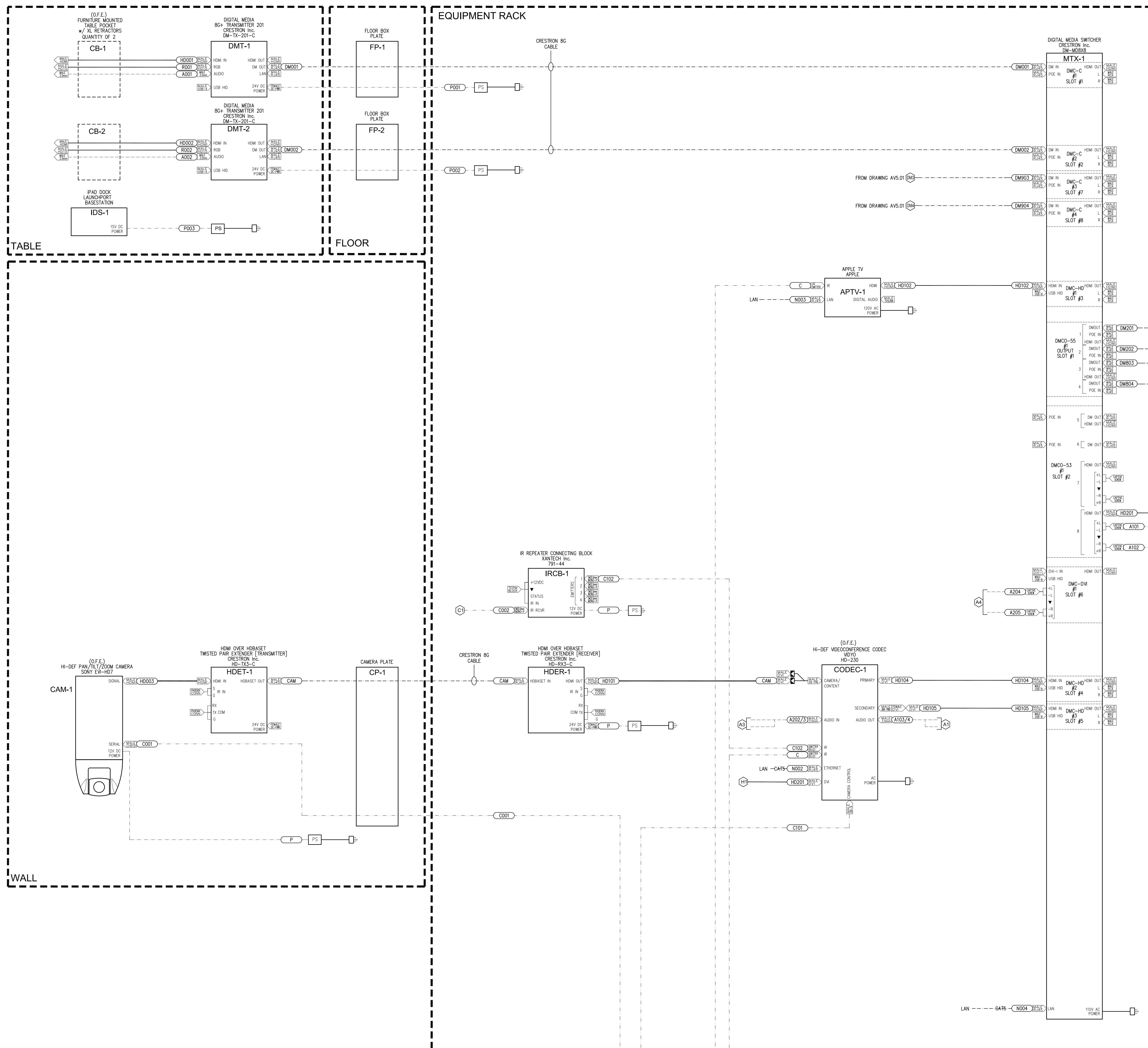
Seal:

Scale:

Drawing Description:  
**Audiovisual: 'Capella'**  
**Functional Diagram**

Drawn By: ALS Checked By: TH  
Sheet Number:

**AV5.03A**



SEE AV5.03B FOR DM SWITCHER OUTPUT DETAILS

SEE AV5.03C FOR CONTINUATION OF AV RACK



Architects:  
 MKTHINK  
 Roundhouse One, 1500 Sansome Street  
 San Francisco, CA 94111  
 p 415 402 0888  
 f 415 298 3383  
 mkthink.com

All drawings and written material contained herein constitute original and unpublished work of the architect and may not be duplicated, used or disclosed, without written consent of the architect. Accuracy of drawings is for design purposes only. Do not scale off drawings.

Project:  
 Mozilla - MOUNTAIN VIEW  
 331 EVELYN STREET,  
 MOUNTAIN VIEW, CA 94041

Project Number:  
 355-131



Clients:  
 The Mozilla Corporation  
 650 Castro Street, Suite 300  
 Mountain View, CA 94041

Audio Visual System Engineered by:  
**AUDIO VISUAL**  
 Design Group, Inc.

Audio Visual Design Group, Inc.  
 2143 E. Francisco Blvd,  
 San Rafael, California, 94901  
 415 . 455 . 9913 - f. 415 . 532 . 2533  
 www . AVDG . com

Rev.	Issue	Date
-	BID SET	10.23.2013
-	AV REVISION SET	11.13.2013
-	AV REVISION SET	12.23.2013
-	AV REVISION SET	01.27.2013
-	AV REVISION SET	02.11.2014
-	AV REVISION SET	02.19.2014
-	AV AS-BUILTS	04.28.2014

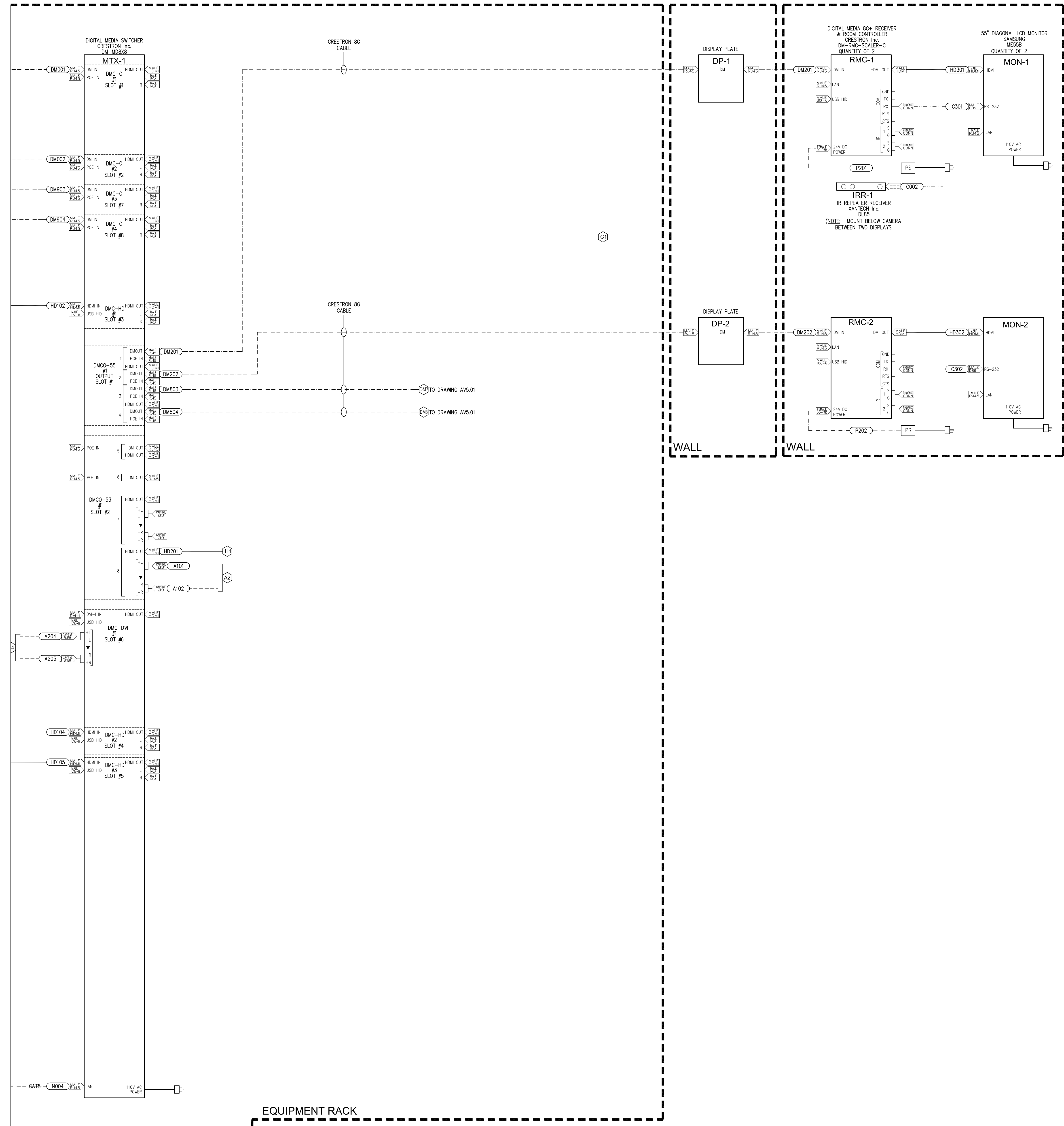
Seal:

Scale:

Drawing Description:  
**Audiovisual: 'Capella'**  
**Functional Diagram**

Drawn By: ALS Checked By: TH  
 Sheet Number:

**AV5.03B**



SEE AV5.03A FOR DM SWITCHER INPUT DETAILS

SEE AV5.03C FOR CONTINUATION OF AV RACK

SEE AV5.03A & AV5.03B FOR CONTINUATION OF AV RACK

MKTHINK

Architects:  
MKTHINK  
Roundhouse One, 1500 Sansome Street  
San Francisco, CA 94111  
p 415 402 0888  
f 415 298 3383  
mkthink.com

All drawings and written material contained herein constitute original and unpublished work of the architect and may not be duplicated, used or disclosed, without written consent of the architect. Accuracy of drawings is for design purposes only. Do not scale off drawings.

Project:  
Mozilla - MOUNTAIN VIEW  
331 EVELYN STREET,  
MOUNTAIN VIEW, CA 94041

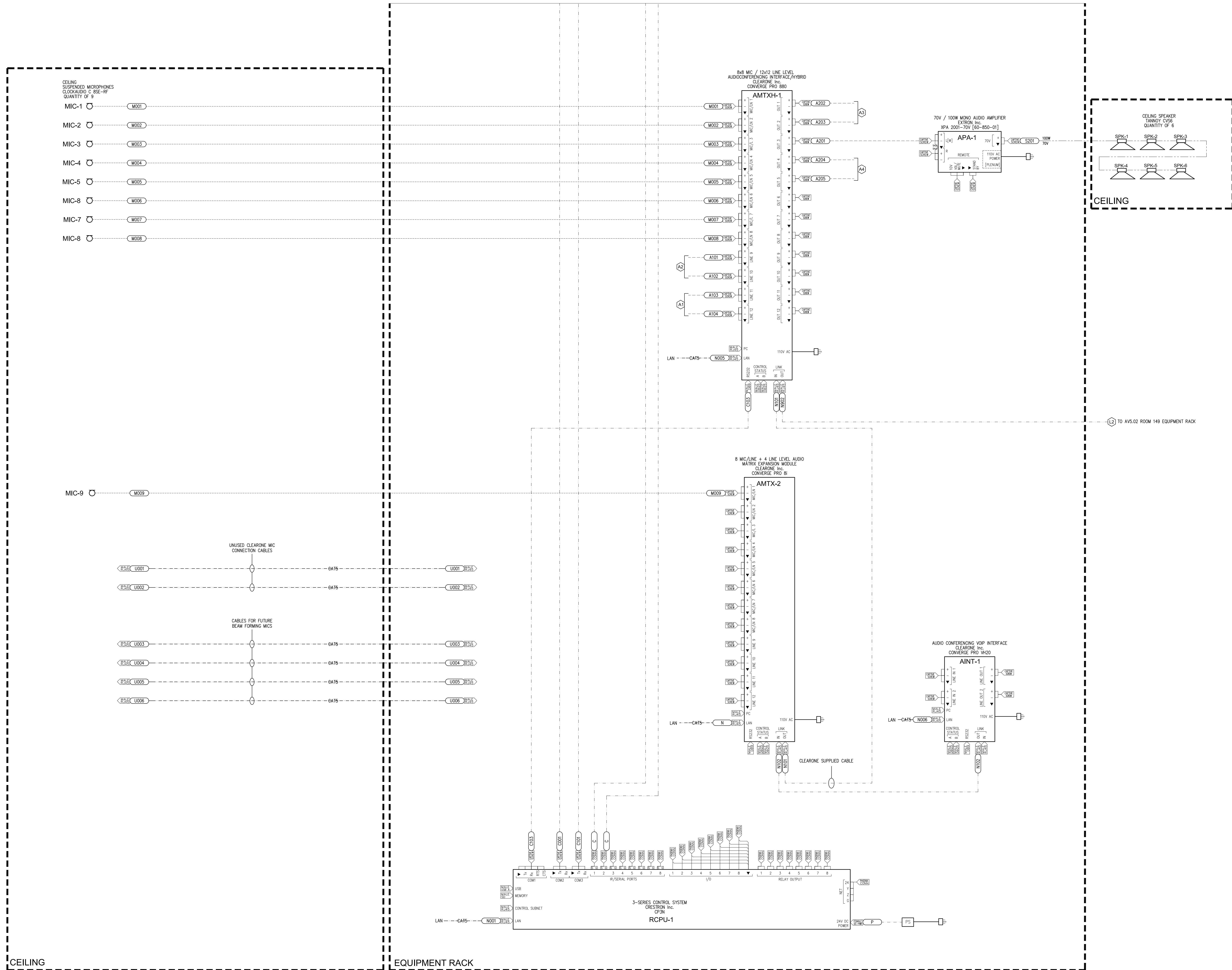
Project Number:  
355-131



Clients:  
The Mozilla Corporation  
650 Castro Street, Suite 300  
Mountain View, CA 94041

Audio Visual System Engineered by:  
**AUDIO VISUAL**  
Design Group, Inc.

Audio Visual Design Group, Inc.  
2143 E. Francisco Blvd,  
San Rafael, California, 94901  
415 . 455 . 9913 - f. 415 . 532 . 2533  
www . AVDG . com



Rev.	Issue	Date
-	BID SET	10.23.2013
-	AV REVISION SET	11.13.2013
-	AV REVISION SET	12.23.2013
-	AV REVISION SET	01.27.2013
-	AV REVISION SET	02.11.2014
-	AV REVISION SET	02.19.2014
-	AV AS-BUILTS	04.28.2014

Seal:

Scale:

Drawing Description:  
**Audiovisual: 'Capella'**  
**Functional Diagram**

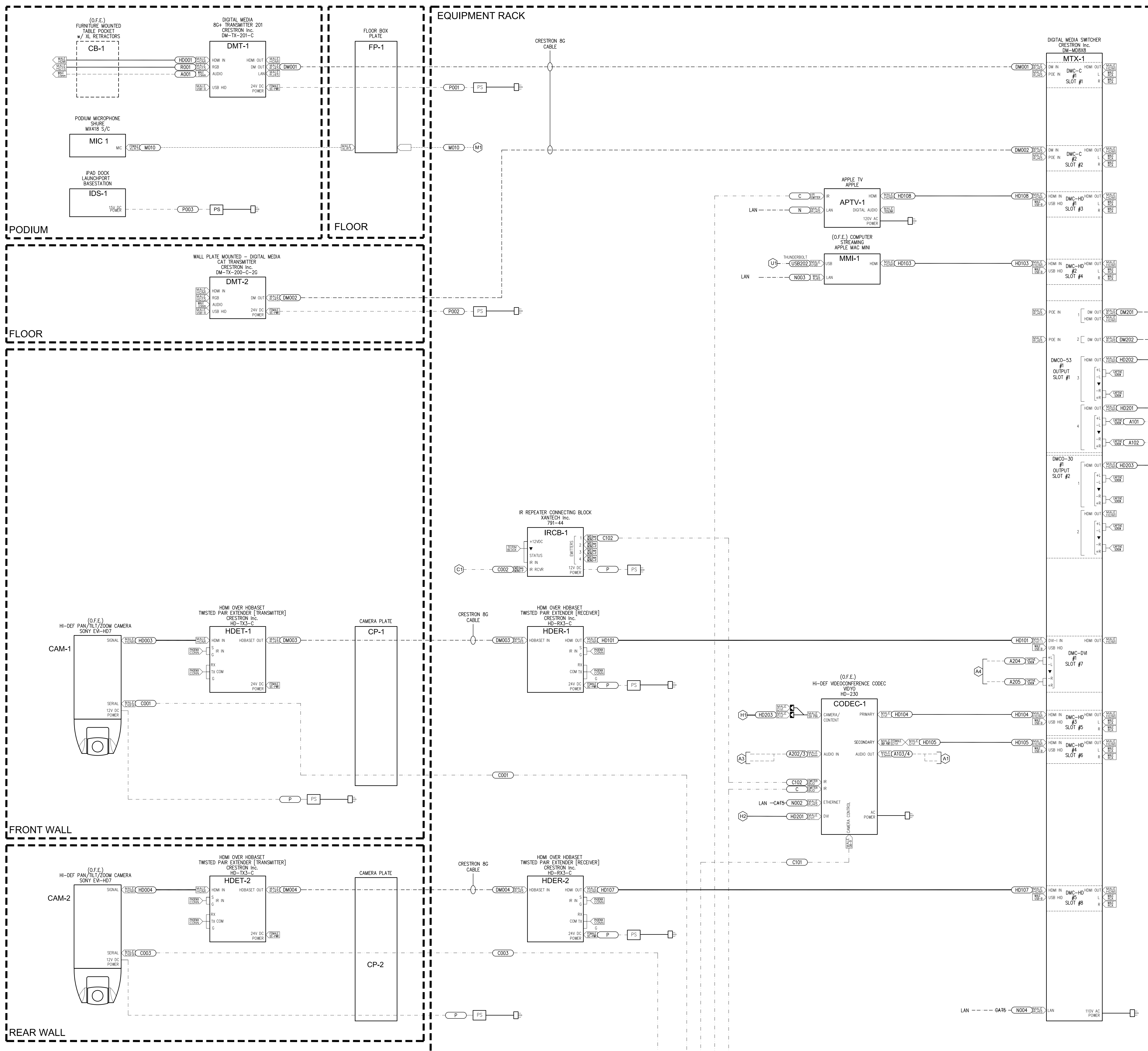
Drawn By: ALS Checked By: TH

Sheet Number:

**AV5.03C**



SEE AV5.04B FOR DM SWITCHER OUTPUT DETAILS



SEE AV5.04C FOR CONTINUATION OF AV RACK

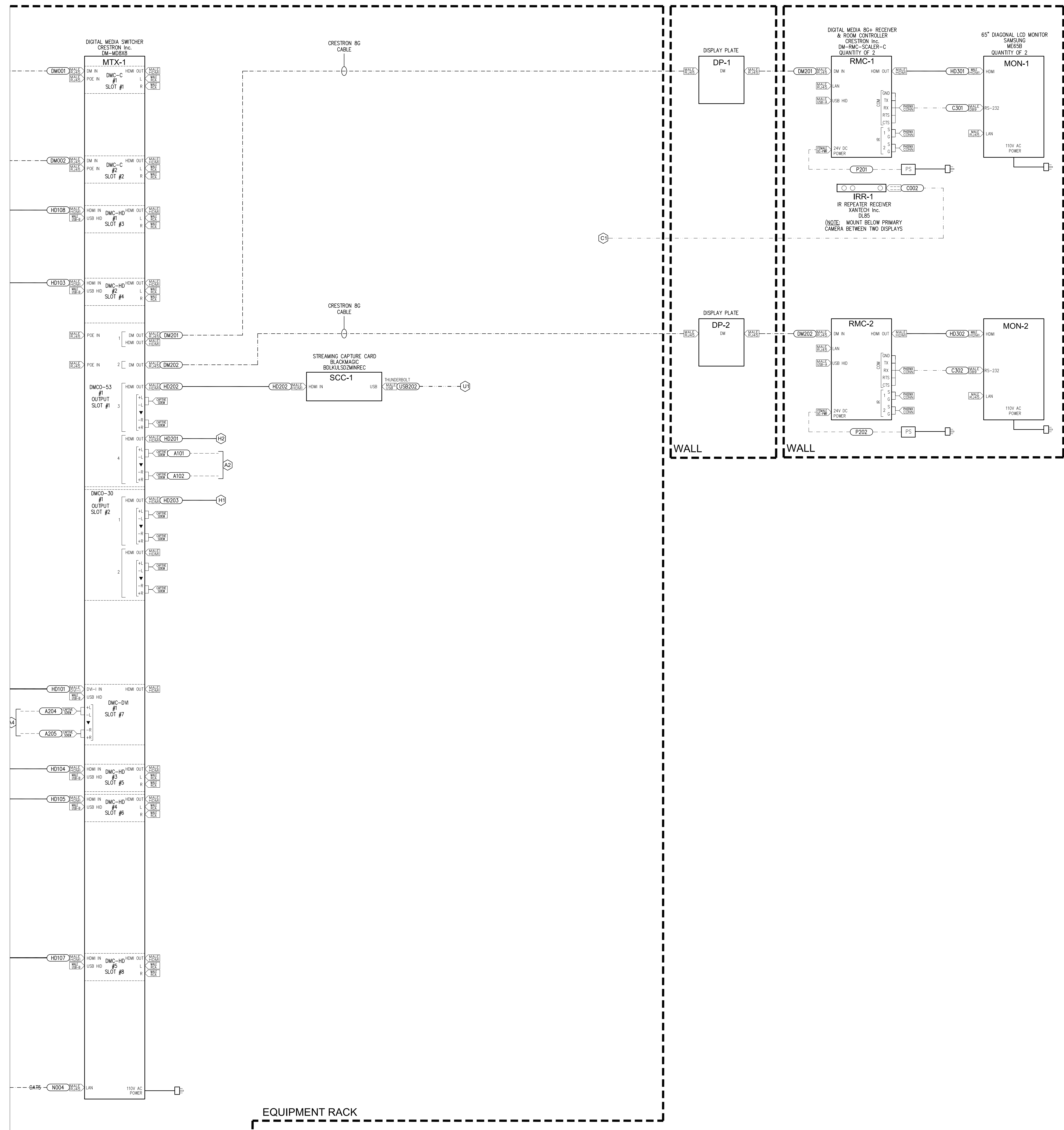
Rev.	Issue	Date
-	BID SET	10.23.2013
-	AV REVISION SET	11.13.2013
-	AV REVISION SET	12.23.2013
-	AV REVISION SET	01.27.2014
-	AV REVISION SET	02.11.2014
-	AV REVISION SET	02.19.2014
-	AV AS-BUILTS	04.28.2014

Seal:

Scale:

Drawing Description:  
**Audiovisual: The Atom Classroom Functional Diagram**

Drawn By: ALS Checked By: TH  
Sheet Number:



SEE AV5.04A FOR DM SWITCHER INTPUT DETAILS

SEE AV5.04C FOR CONTINUATION OF AV RACK

Architects:  
 MKTHINK  
 Roundhouse One, 1500 Sansome Street  
 San Francisco, CA 94111  
 p 415 402 0888  
 f 415 298 3383  
 mkthink.com

All drawings and written material contained herein constitute original and unpublished work of the architect and may not be duplicated, used or disclosed, without written consent of the architect. Accuracy of drawings is for design purposes only. Do not scale off drawings.

Project:  
 Mozilla - MOUNTAIN VIEW  
 331 EVELYN STREET,  
 MOUNTAIN VIEW, CA 94041

Project Number:  
 355-131



Clients:  
 The Mozilla Corporation  
 650 Castro Street, Suite 300  
 Mountain View, CA 94041

Audio Visual System Engineered by:  
**AUDIO VISUAL**  
 Design Group, Inc.

Audio Visual Design Group, Inc.  
 2143 E. Francisco Blvd,  
 San Rafael, California, 94901  
 415 . 455 . 9913 - f. 415 . 532 . 2533  
 www . AVDG . com

Rev.	Issue	Date
-	BID SET	10.23.2013
-	AV REVISION SET	11.13.2013
-	AV REVISION SET	12.23.2013
-	AV REVISION SET	01.27.2013
-	AV REVISION SET	02.11.2014
-	AV REVISION SET	02.19.2014
-	AV AS-BUILTS	04.28.2014

Seal:

Scale:

Drawing Description:  
**Audiovisual: The Atom Classroom Functional Diagram**

Drawn By: ALS Checked By: TH  
 Sheet Number:

SEE AV5.04A & AV5.04B FOR CONTINUATION OF AV RACK

MKTHINK

Architects:  
MKTHINK  
Roundhouse One, 1500 Sansome Street  
San Francisco, CA 94111  
p 415 402 0888  
f 415 288 3383  
mkthink.com

All drawings and written material contained herein constitute original and unpublished work of the architect and may not be duplicated, used or disclosed, without written consent of the architect. Accuracy of drawings is for design purposes only. Do not scale off drawings.

Project:  
Mozilla - MOUNTAIN VIEW  
331 EVELYN STREET,  
MOUNTAIN VIEW, CA 94041

Project Number:  
355-131



Clients:  
The Mozilla Corporation  
650 Castro Street, Suite 300  
Mountain View, CA 94041

Audio Visual System Engineered by:  
**AUDIO VISUAL**  
Design Group, Inc.

Audio Visual Design Group, Inc.  
2143 E. Francisco Blvd,  
San Rafael, California, 94901  
415 . 455 . 9913 - f. 415 . 532 . 2533  
www . AVDG . com

Rev.	Issue	Date
-	BID SET	10.23.2013
-	AV REVISION SET	11.13.2013
-	AV REVISION SET	12.23.2013
-	AV REVISION SET	01.27.2013
-	AV REVISION SET	02.11.2014
-	AV REVISION SET	02.19.2014
-	AV AS-BUILTS	04.28.2014

Seal:

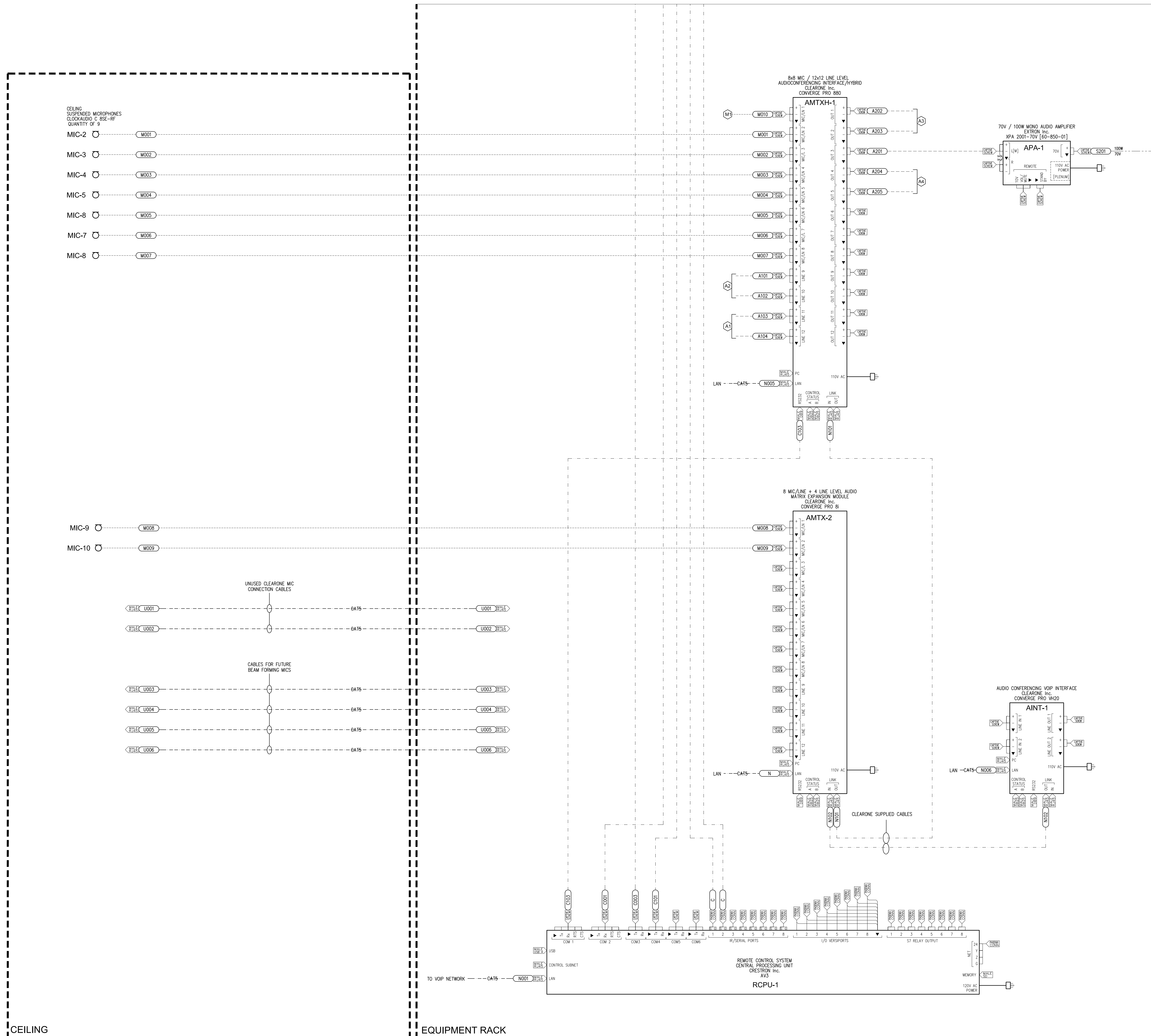
Scale:

Drawing Description:  
**Audiovisual: The Atom**  
**Classroom Functional Diagram**

Drawn By: ALS Checked By: TH

Sheet Number:

**AV5.04C**

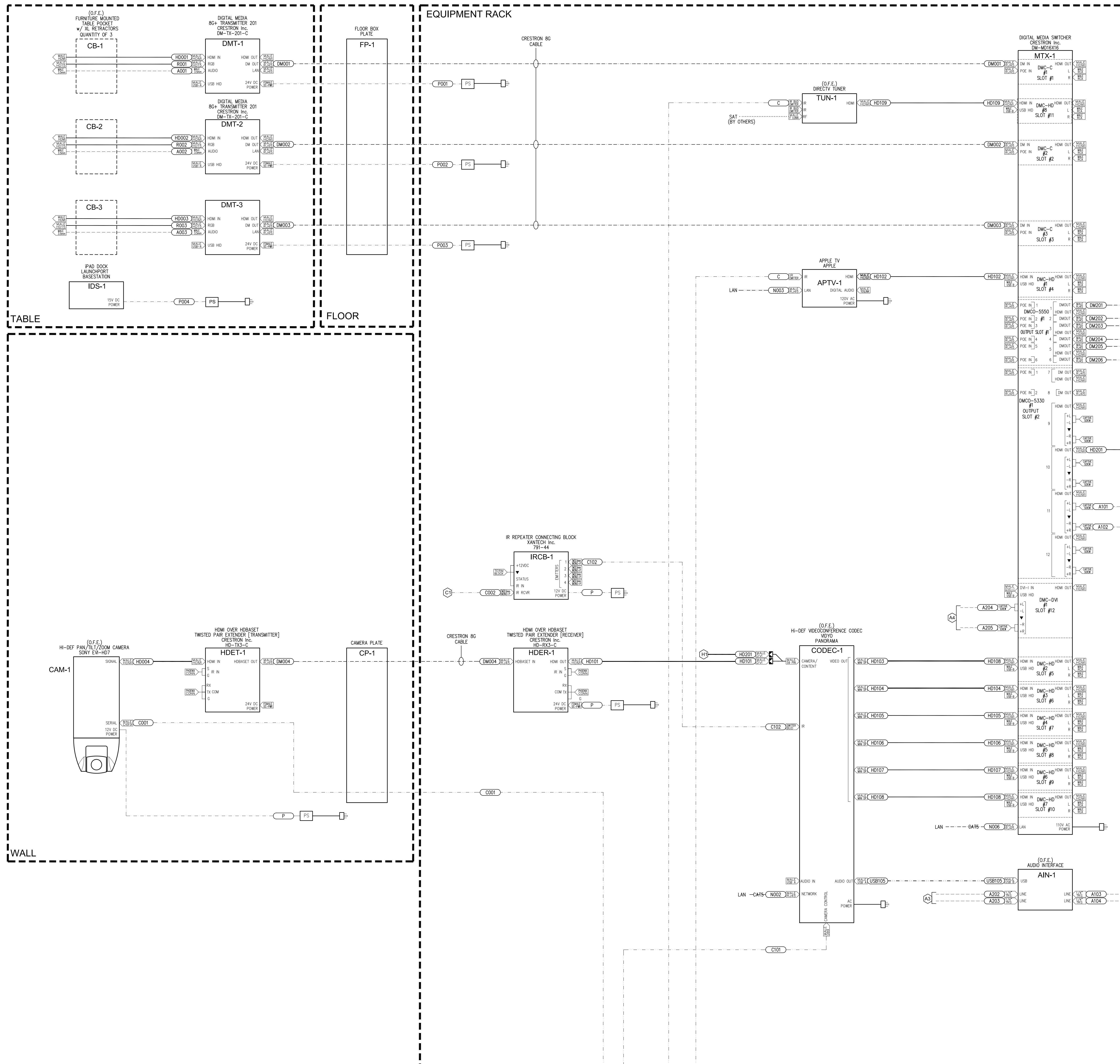


CEILING

EQUIPMENT RACK



SEE AV5.05B FOR DM SWITCHER OUTPUT DETAILS



SEE AV5.05C FOR CONTINUATION OF AV RACK

Rev.	Issue	Date
-	BID SET	10.23.2013
-	AV REVISION SET	11.13.2013
-	AV REVISION SET	12.23.2013
-	AV REVISION SET	01.27.2014
-	AV REVISION SET	02.11.2014
-	AV REVISION SET	02.19.2014
-	AS-BUILTS	04.28.2014

Scale:

Scale:

Drawing Description:  
**Audiovisual: The Sanctuary**  
 Functional Diagram

Drawn By: ALS Checked By: TH

Sheet Number:

**AV5.05A**

Architects:  
 MKTHINK  
 Roundhouse One, 1500 Sansome Street  
 San Francisco, CA 94111  
 p 415 402 0888  
 f 415 298 3383  
 mkthink.com

Project:  
 Mozilla - MOUNTAIN VIEW  
 331 EVELYN STREET,  
 MOUNTAIN VIEW, CA 94041

Project Number:  
 355-131



Clients:  
 The Mozilla Corporation  
 650 Castro Street, Suite 300  
 Mountain View, CA 94041

Audio Visual System Engineered by:  
**AUDIO VISUAL**  
 Design Group, Inc.

Audio Visual Design Group, Inc.  
 2143 E. Francisco Blvd,  
 San Rafael, California, 94901  
 415 . 455 . 9913 - f. 415 . 532 . 2533  
 www . AVDG . com

Rev.	Issue	Date
-	BID SET	10.23.2013
-	AV REVISION SET	11.13.2013
-	AV REVISION SET	12.23.2013
-	AV REVISION SET	01.27.2013
-	AV REVISION SET	02.11.2014
-	AV REVISION SET	02.19.2014
-	AV AS-BUILTS	04.28.2014

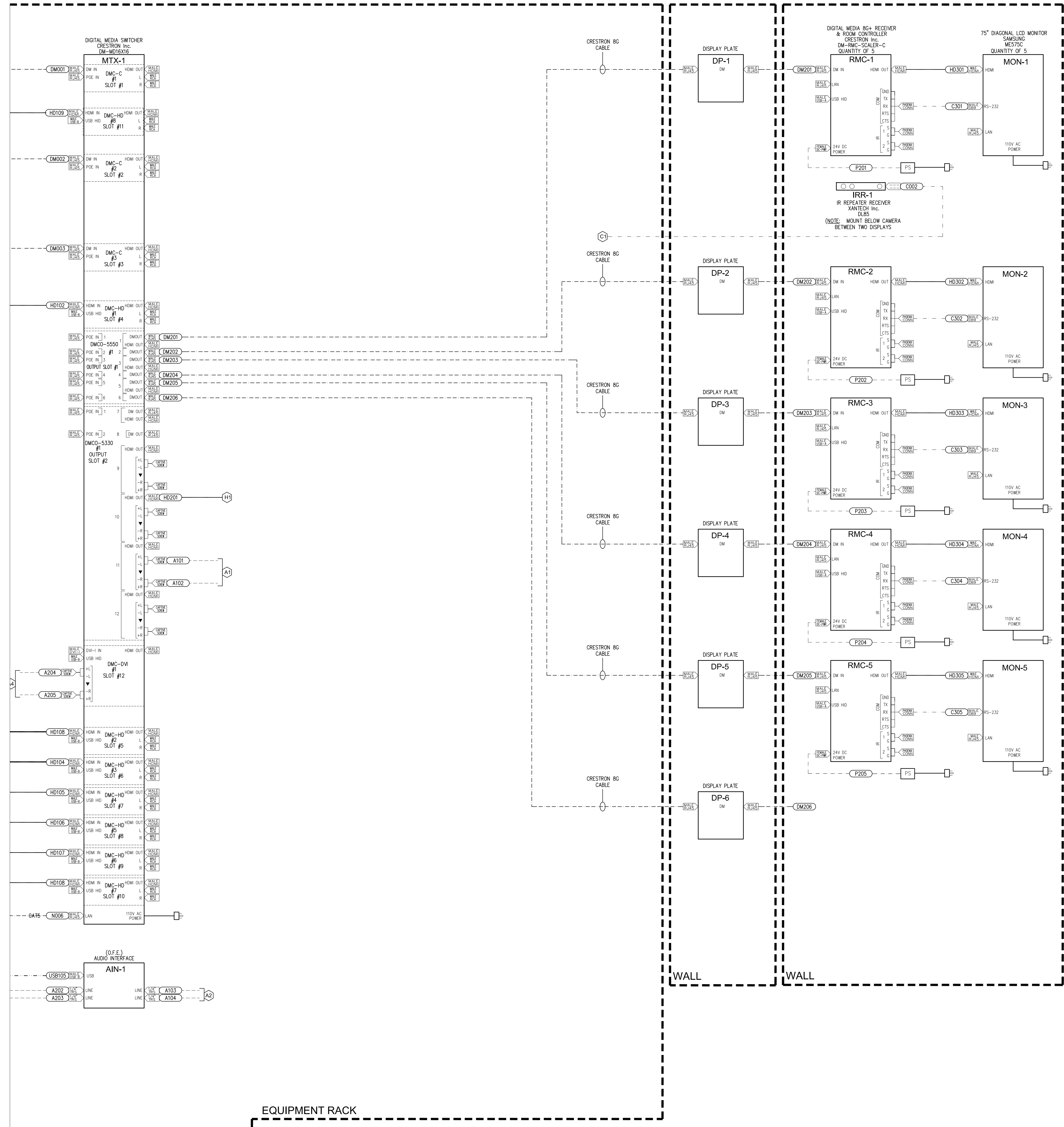
Seal:

Scale:

Drawing Description:  
**Audiovisual: The Sanctuary**  
**Functional Diagram**

Drawn By: ALS Checked By: TH  
 Sheet Number:

**AV5.05B**



SEE AV5.05A FOR DM SWITCHER INPUT DETAILS

SEE AV5.05C FOR CONTINUATION OF AV RACK

EQUIPMENT RACK

SEE AV5.05A & AV5.05B FOR CONTINUATION OF AV RACK

MKTHINK

Architects:  
MKTHINK  
Roundhouse One, 1500 Sansome Street  
San Francisco, CA 94111  
p 415 402 0888  
f 415 228 3383  
mkthink.com

Project:  
Mozilla - MOUNTAIN VIEW  
331 EVELYN STREET,  
MOUNTAIN VIEW, CA 94041

Project Number:  
355-131



Clients:  
The Mozilla Corporation  
650 Castro Street, Suite 300  
Mountain View, CA 94041

Audio Visual System Engineered by:  
**AUDIO VISUAL**  
Design Group, Inc.

Audio Visual Design Group, Inc.  
2143 E. Francisco Blvd,  
San Rafael, California, 94901  
415 . 455 . 9913 - f. 415 . 532 . 2533  
www . AVDG . com

Rev.	Issue	Date
-	BID SET	10.23.2013
-	AV REVISION SET	11.13.2013
-	AV REVISION SET	12.23.2013
-	AV REVISION SET	01.27.2014
-	AV REVISION SET	02.11.2014
-	AV REVISION SET	02.19.2014
-	AV AS-BUILTS	04.28.2014

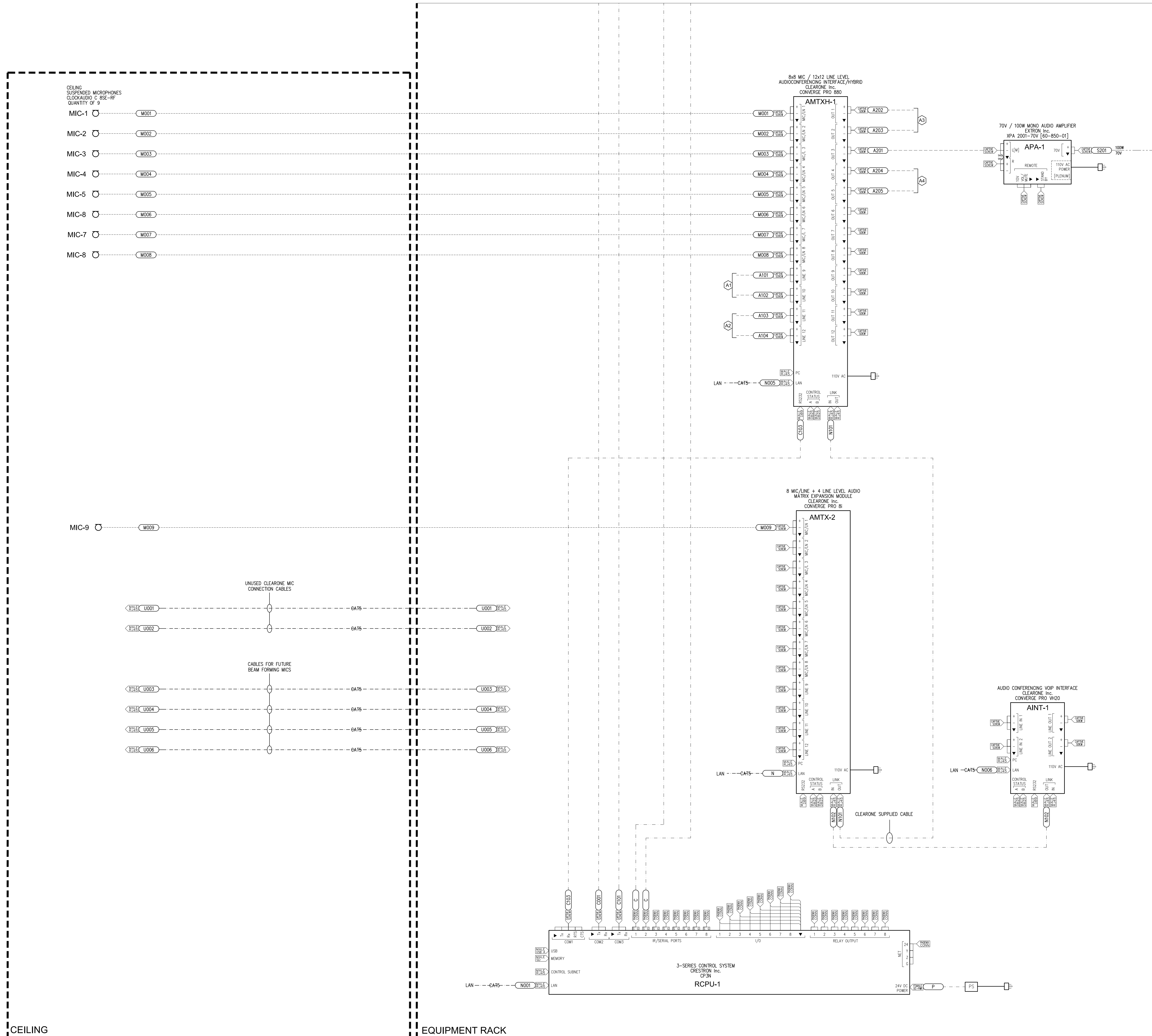
Seal:

Scale:

Drawing Description:  
**Audiovisual: The Sanctuary**  
Functional Diagram

Drawn By: ALS Checked By: TH  
Sheet Number:

**AV5.05C**



CEILING

EQUIPMENT RACK





Architects:  
 MKTHINK  
 Roundhouse One, 1500 Sansome Street  
 San Francisco, CA 94111  
 p 415 402 0888  
 f 415 298 3383  
 mkthink.com

All drawings and written material contained herein constitute original and unpublished work of the architect and may not be duplicated, used or disclosed, without written consent of the architect. Accuracy of drawings is for design purposes only. Do not scale off drawings.

Project:  
 Mozilla - MOUNTAIN VIEW  
 331 EVELYN STREET,  
 MOUNTAIN VIEW, CA 94041

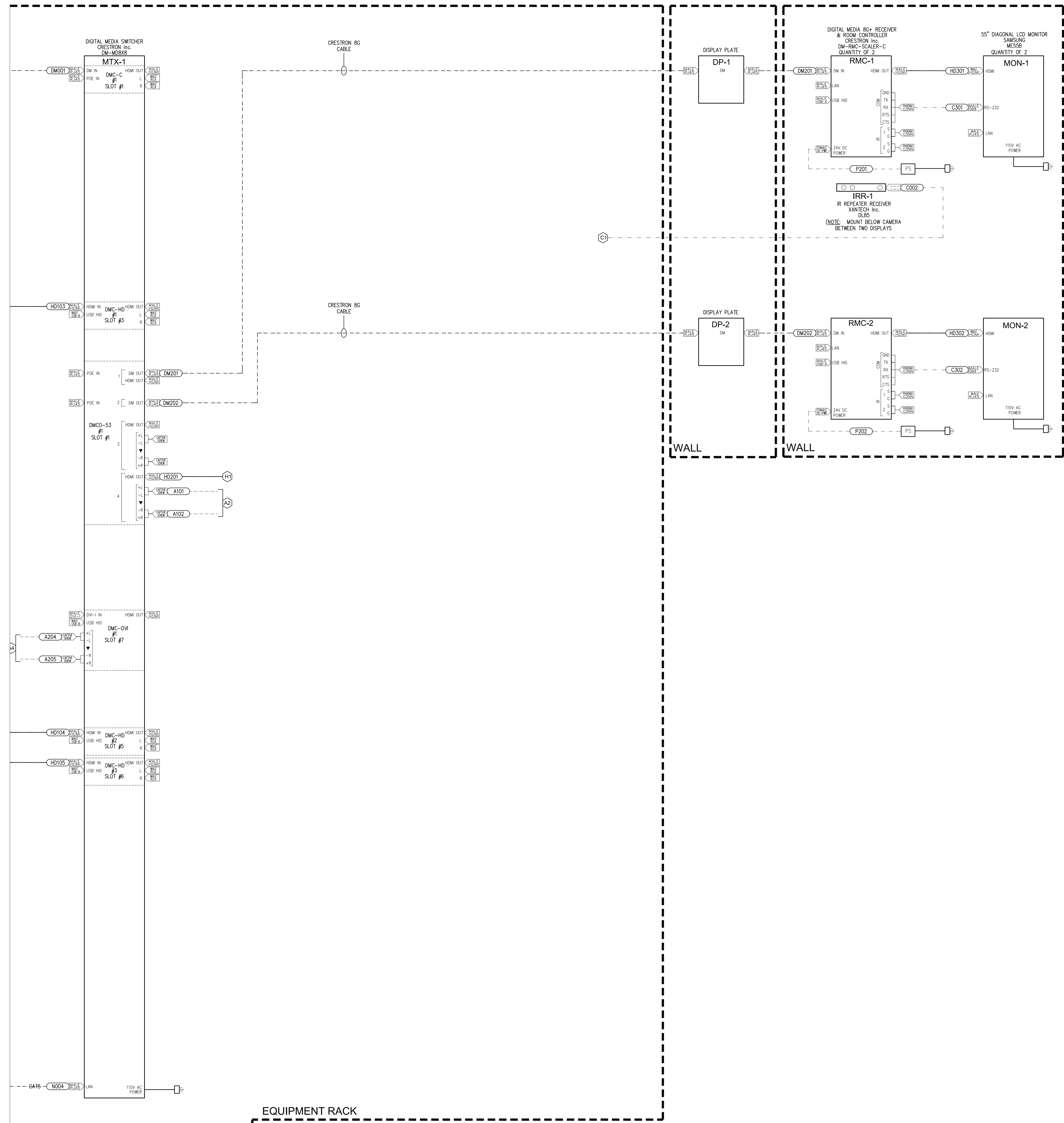
Project Number:  
 355-131



Clients:  
 The Mozilla Corporation  
 650 Castro Street, Suite 300  
 Mountain View, CA 94041

Audio Visual System Engineered by:  
**AUDIO VISUAL**  
 Design Group, Inc.

Audio Visual Design Group, Inc.  
 2143 E. Francisco Blvd,  
 San Rafael, California, 94901  
 415 . 455 . 9913 - f. 415 . 522 . 2533  
 www . AVDG . com



SEE AV5.06A FOR DM SWITCHER INPUT DETAILS

SEE AV5.06C FOR CONTINUATION OF AV RACK

Rev.	Issue	Date
-	BID SET	10.23.2013
-	AV REVISION SET	11.13.2013
-	AV REVISION SET	12.23.2013
-	AV REVISION SET	01.27.2013
-	AV REVISION SET	02.11.2014
-	AV REVISION SET	02.19.2014
-	AV AS-BUILTS	04.28.2014

Seal:

Scale:

Drawing Description:  
**Audiovisual: Large VTC Functional Diagram**

Drawn By: ALS Checked By: TH

Sheet Number:

**AV5.06B**

SEE AV5.06A & AV5.06B FOR CONTINUATION OF AV RACK

MKTHINK

Architects:  
MKTHINK  
Roundhouse One, 1500 Sansome Street  
San Francisco, CA 94111  
p 415 402 0888  
f 415 298 3383  
mkthink.com

All drawings and written material contained herein constitute original and unpublished work of the architect and may not be duplicated, used or disclosed, without written consent of the architect. Accuracy of drawings is for design purposes only. Do not scale off drawings.

Project:  
Mozilla - MOUNTAIN VIEW  
331 EVELYN STREET,  
MOUNTAIN VIEW, CA 94041

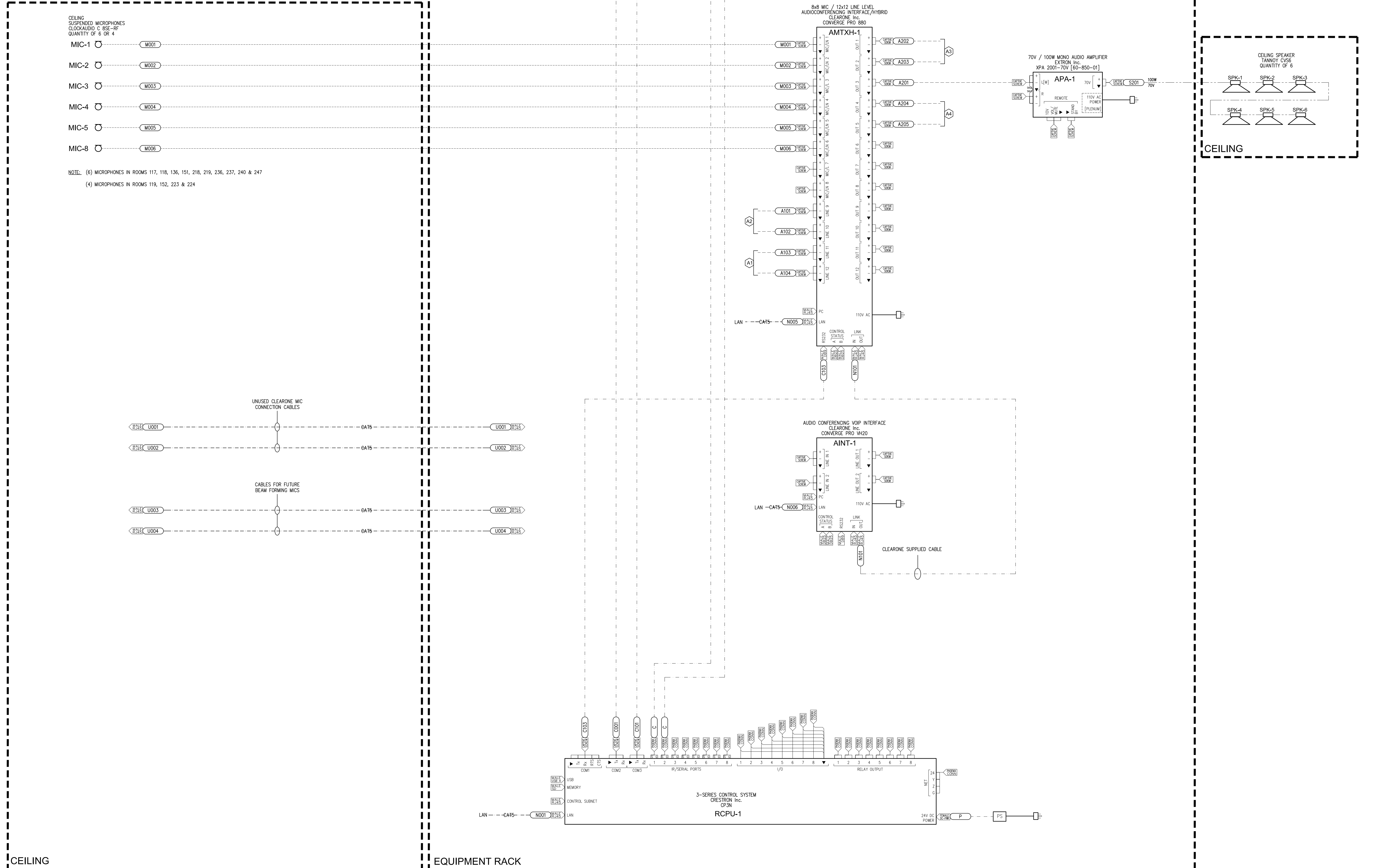
Project Number:  
355-131



Clients:  
The Mozilla Corporation  
650 Castro Street, Suite 300  
Mountain View, CA 94041

Audio Visual System Engineered by:  
**AUDIO VISUAL**  
Design Group, Inc.

Audio Visual Design Group, Inc.  
2143 E. Francisco Blvd,  
San Rafael, California, 94901  
415 . 455 . 9913 - f. 415 . 532 . 2533  
www . AVDG . com



Rev.	Issue	Date
-	BID SET	10.23.2013
-	AV REVISION SET	11.13.2013
-	AV REVISION SET	12.23.2013
-	AV REVISION SET	01.27.2013
-	AV REVISION SET	02.11.2014
-	AV REVISION SET	02.19.2014
-	AV AS-BUILTS	04.28.2014

Seal:

Scale:

Drawing Description:  
**Audiovisual: Large VTC**  
**Functional Diagram**

Drawn By: ALS Checked By: TH  
Sheet Number:

**AV5.06C**

Architects:  
 MKTHINK  
 Roundhouse One, 1500 Sansome Street  
 San Francisco, CA 94111  
 p 415 402 0888  
 f 415 298 3383  
 mkthink.com

All drawings and written material contained herein constitute original and unpublished work of the architect and may not be duplicated, used or disclosed, without written consent of the architect. Accuracy of drawings is for design purposes only. Do not scale off drawings.

Project:  
 Mozilla - MOUNTAIN VIEW  
 331 EVELYN STREET,  
 MOUNTAIN VIEW, CA 94041

Project Number:  
 355-131



Clients:  
 The Mozilla Corporation  
 650 Castro Street, Suite 300  
 Mountain View, CA 94041

Audio Visual System Engineered by:  
**AUDIO VISUAL**  
 Design Group, Inc.

Audio Visual Design Group, Inc.  
 2143 E. Francisco Blvd,  
 San Rafael, California, 94901  
 415 . 455 . 9913 - f. 415 . 532 . 2533  
 www . AVDG . com

Rev.	Issue	Date
-	BID SET	10.23.2013
-	AV REVISION SET	11.13.2013
-	AV REVISION SET	12.23.2013
-	AV REVISION SET	01.27.2013
-	AV REVISION SET	02.11.2014
-	AV REVISION SET	02.19.2014
-	AV AS-BUILTS	04.28.2014

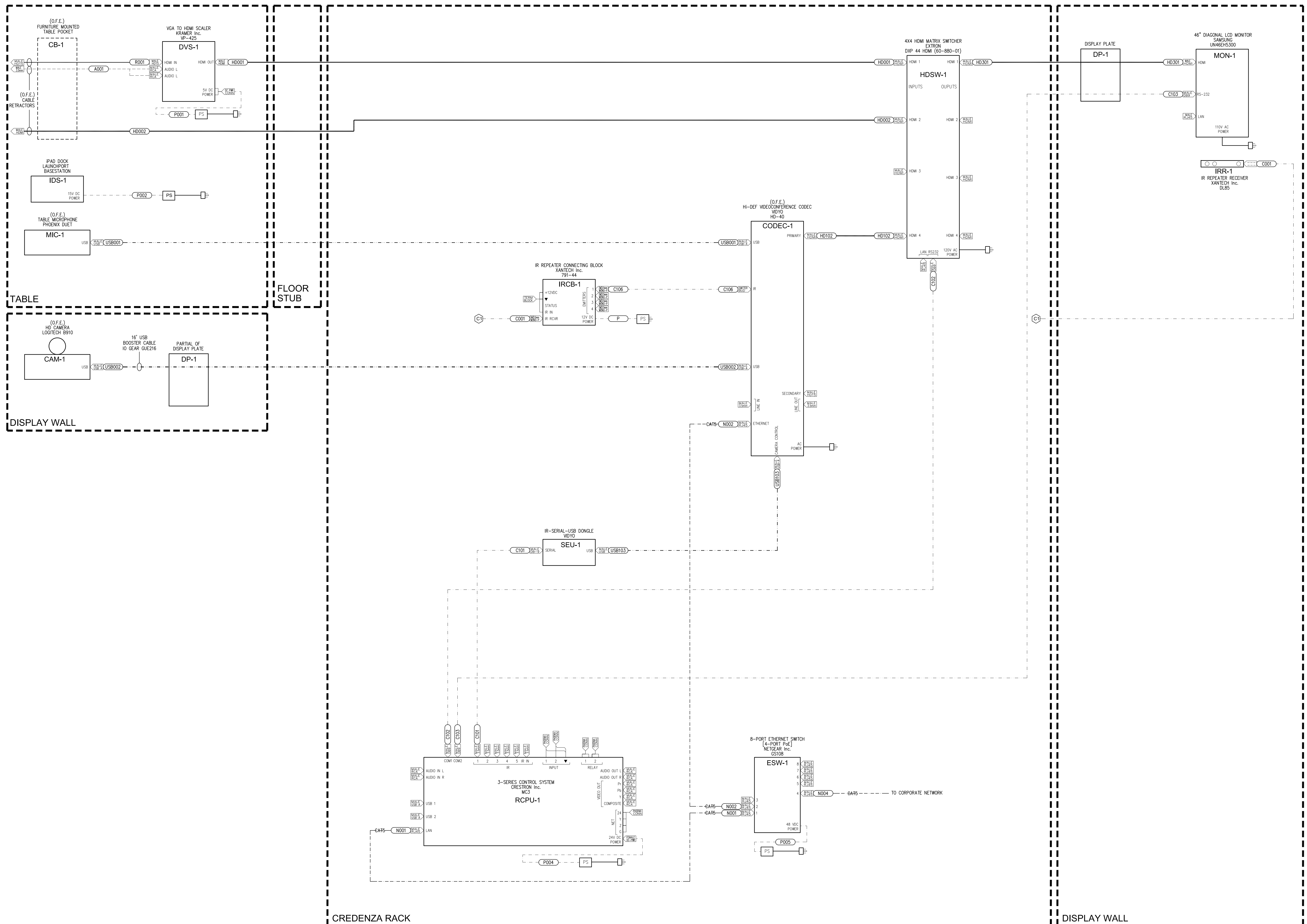
Seal:

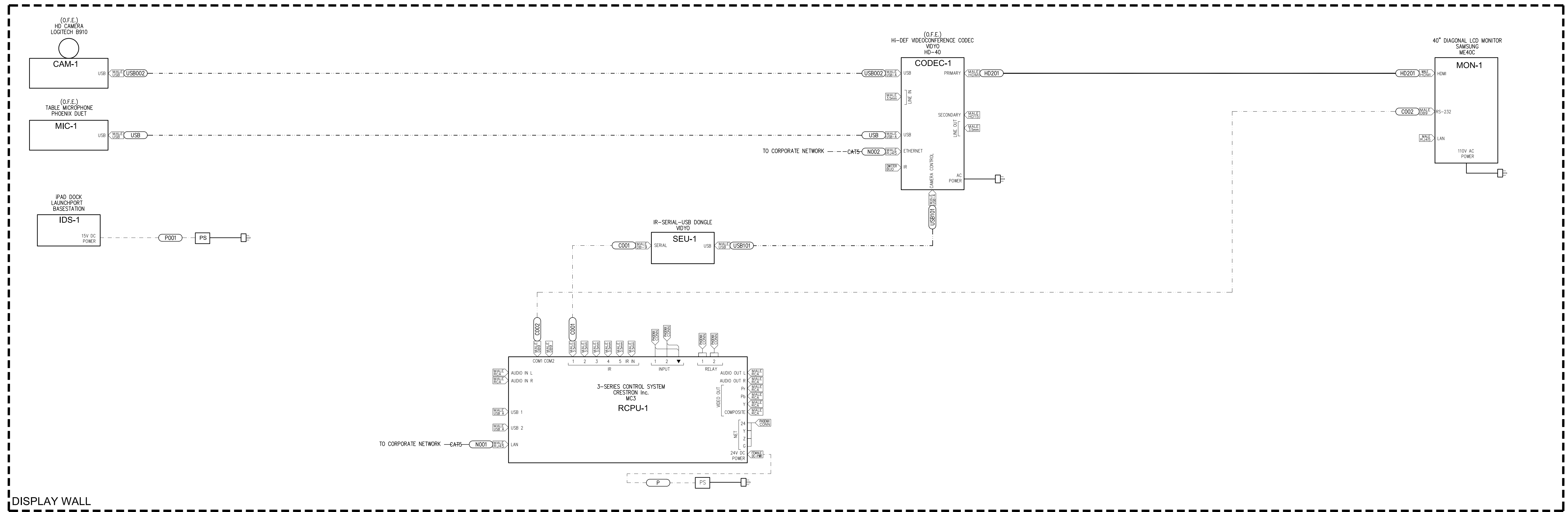
Scale:

Drawing Description:  
**Audiovisual: Small VTC**  
**Functional Diagram**

Drawn By: ALS Checked By: TH

Sheet Number:





MKTHINK

Architects:  
 MKTHINK  
 Roundhouse One, 1500 Sansome Street  
 San Francisco, CA 94111  
 p 415 402 0888  
 f 415 298 3383  
 mkthink.com

All drawings and written material contained herein constitute original and unpublished work of the architect and may not be duplicated, used or disclosed, without written consent of the architect. Accuracy of drawings is for design purposes only. Do not scale off drawings.

Project:  
 Mozilla - MOUNTAIN VIEW  
 331 EVELYN STREET,  
 MOUNTAIN VIEW, CA 94041

Project Number:  
 355-131



Clients:  
 The Mozilla Corporation  
 650 Castro Street, Suite 300  
 Mountain View, CA 94041

Audio Visual System Engineered by:  
**AUDIO VISUAL**  
 Design Group, Inc.

Audio Visual Design Group, Inc.  
 2143 E. Francisco Blvd,  
 San Rafael, California, 94901  
 415 . 455 . 9913 - f. 415 . 532 . 2533  
 www . AVDG . com

1 AV SYSTEM PHONE BOOTH FUNCTIONAL DIAGRAM  
 SCALE: NONE

TYPICAL OF 13 ROOMS

Rev.	Issue	Date
-	BID SET	10.23.2013
-	AV REVISION SET	11.13.2013
-	AV REVISION SET	12.23.2013
-	AV REVISION SET	01.27.2013
-	AV REVISION SET	02.11.2014
-	AV REVISION SET	02.19.2014
-	AV AS-BUILTS	04.28.2014

Seal:

Scale:

Drawing Description:  
**Audiovisual: Phone Booth**  
**Functional Diagram**

Drawn By: ALS Checked By: TH  
 Sheet Number:

**AV5.08**



Rev.	Issue	Date
-	BID SET	10.23.2013
-	AV REVISION SET	11.13.2013
-	AV REVISION SET	12.23.2013
-	AV REVISION SET	01.27.2013
-	AV REVISION SET	02.11.2014
-	AV REVISION SET	02.19.2014
-	AV AS-BUILTS	04.28.2014

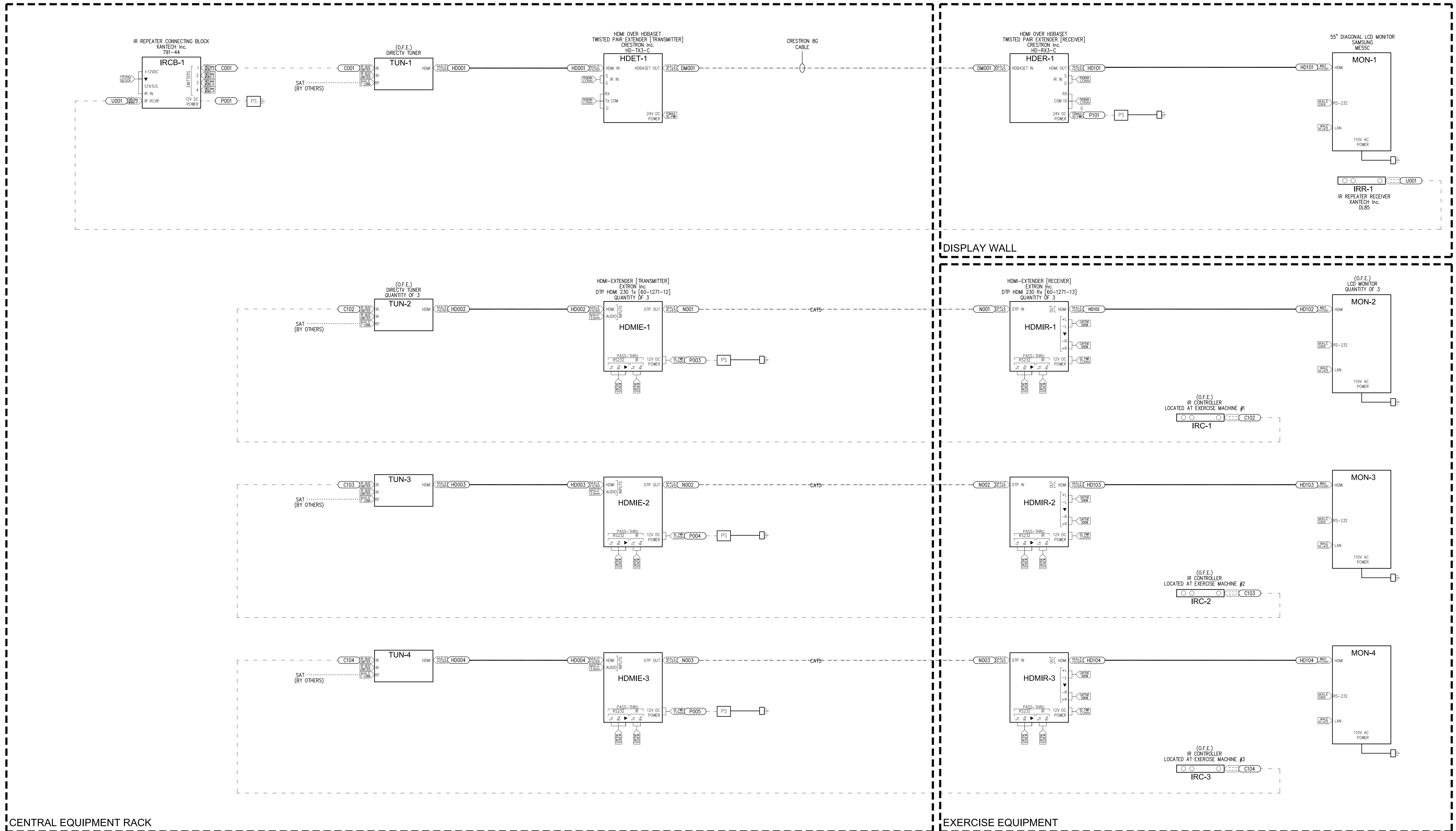
Seal:

Scale:

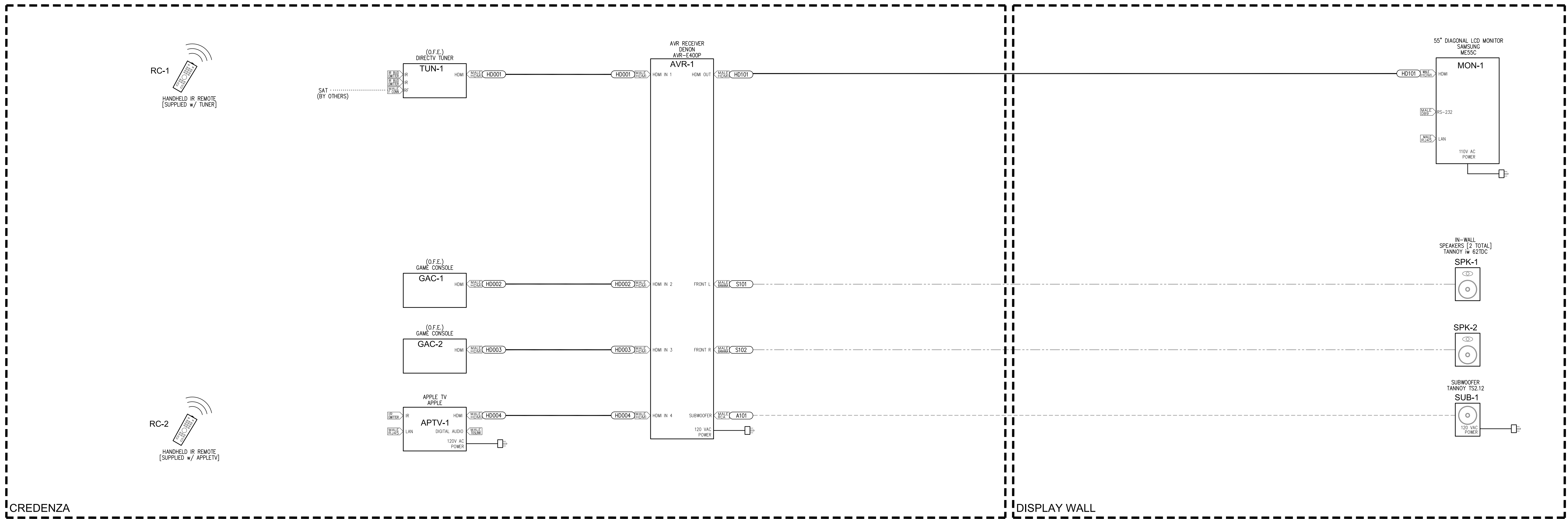
Drawing Description:  
**Audiovisual: Gym Functional Diagram**

Drawn By: ALS Checked By: TH

Sheet Number:



1 AV SYSTEM GYM FUNCTIONAL DIAGRAM  
 SCALE: NONE



MKTHINK

Architects:  
 MKTHINK  
 Roundhouse One, 1500 Sansome Street  
 San Francisco, CA 94111  
 p 415 402 0888  
 f 415 298 3383  
 mkthink.com

All drawings and written material contained herein constitute original and unpublished work of the architect and may not be duplicated, used or disclosed, without written consent of the architect. Accuracy of drawings is for design purposes only. Do not scale off drawings.

Project:  
 Mozilla - MOUNTAIN VIEW  
 331 EVELYN STREET,  
 MOUNTAIN VIEW, CA 94041

Project Number:  
 355-131



Clients:  
 The Mozilla Corporation  
 650 Castro Street, Suite 300  
 Mountain View, CA 94041

Audio Visual System Engineered by:

**AUDIO VISUAL**  
 Design Group, Inc.

Audio Visual Design Group, Inc.  
 2143 E. Francisco Blvd,  
 San Rafael, California, 94901  
 415 . 455 . 9913 - f. 415 . 532 . 2533  
 www . AVDG . com

1 AV SYSTEM GAME ROOM FUNCTIONAL DIAGRAM  
 SCALE: NONE

Rev.	Issue	Date
-	BID SET	10.23.2013
-	AV REVISION SET	11.13.2013
-	AV REVISION SET	12.23.2013
-	AV REVISION SET	01.27.2013
-	AV REVISION SET	02.11.2014
-	AV REVISION SET	02.19.2014
-	AV AS-BUILTS	04.28.2014

Seal:

Scale:

Drawing Description:  
**Audiovisual: Game Room**  
**Functional Diagram**

Drawn By: ALS Checked By: TH

Sheet Number:

**AV5.10**