



2143 East Francisco Blvd.
 San Rafael, CA 94901
 415.455.9913 [MAIN]
 415.532.2533 [FAX]
 www.avdg.com

Client:

MOZILLA
 VANCOUVER, B.C.

Architect:

General Contractor:

Audiovisual Consultant:

No.	Date:	Description:
1	8/19/13	DESIGN DOCUMENTS

Drawing Date: 8/19/2013
 Drawn By: ALS
 Checked By:
 Filename: -
 Drawing Scale: NOTED
 Plotscale: -
 AVDG Project No.: 2098

Drawing Title:

**Audiovisual System
 DRAWING INDEX**

Sheet Number:

AV-0

AV SYSTEM DRAWING INDEX

- AV-0 AUDIOVISUAL SYSTEM DRAWING INDEX.
- AV-1A AUDIOVISUAL SYSTEM AIRMOZILLA FUNCTIONAL DIAGRAM.
- AV-1B AUDIOVISUAL SYSTEM AIRMOZILLA FUNCTIONAL DIAGRAM.
- AV-1C AUDIOVISUAL SYSTEM AIRMOZILLA FUNCTIONAL DIAGRAM.
- AV-1D AUDIOVISUAL SYSTEM AIRMOZILLA FUNCTIONAL DIAGRAM.
- AV-1E AUDIOVISUAL SYSTEM AIRMOZILLA FUNCTIONAL DIAGRAM.
- AV-2A AUDIOVISUAL SYSTEM VIDEO CONFERENCE ROOM FUNCTIONAL DIAGRAM.
- AV-2B AUDIOVISUAL SYSTEM VIDEO CONFERENCE ROOM FUNCTIONAL DIAGRAM.
- AV-2C AUDIOVISUAL SYSTEM VIDEO CONFERENCE ROOM FUNCTIONAL DIAGRAM.
- AV-3 AUDIOVISUAL SYSTEM AGATI ROOM FUNCTIONAL DIAGRAM.

Client:

MOZILLA
VANCOUVER, B.C.

Architect:

General Contractor:

Audiovisual Consultant:

No.	Date:	Description:
1	8/19/13	DESIGN DOCUMENTS

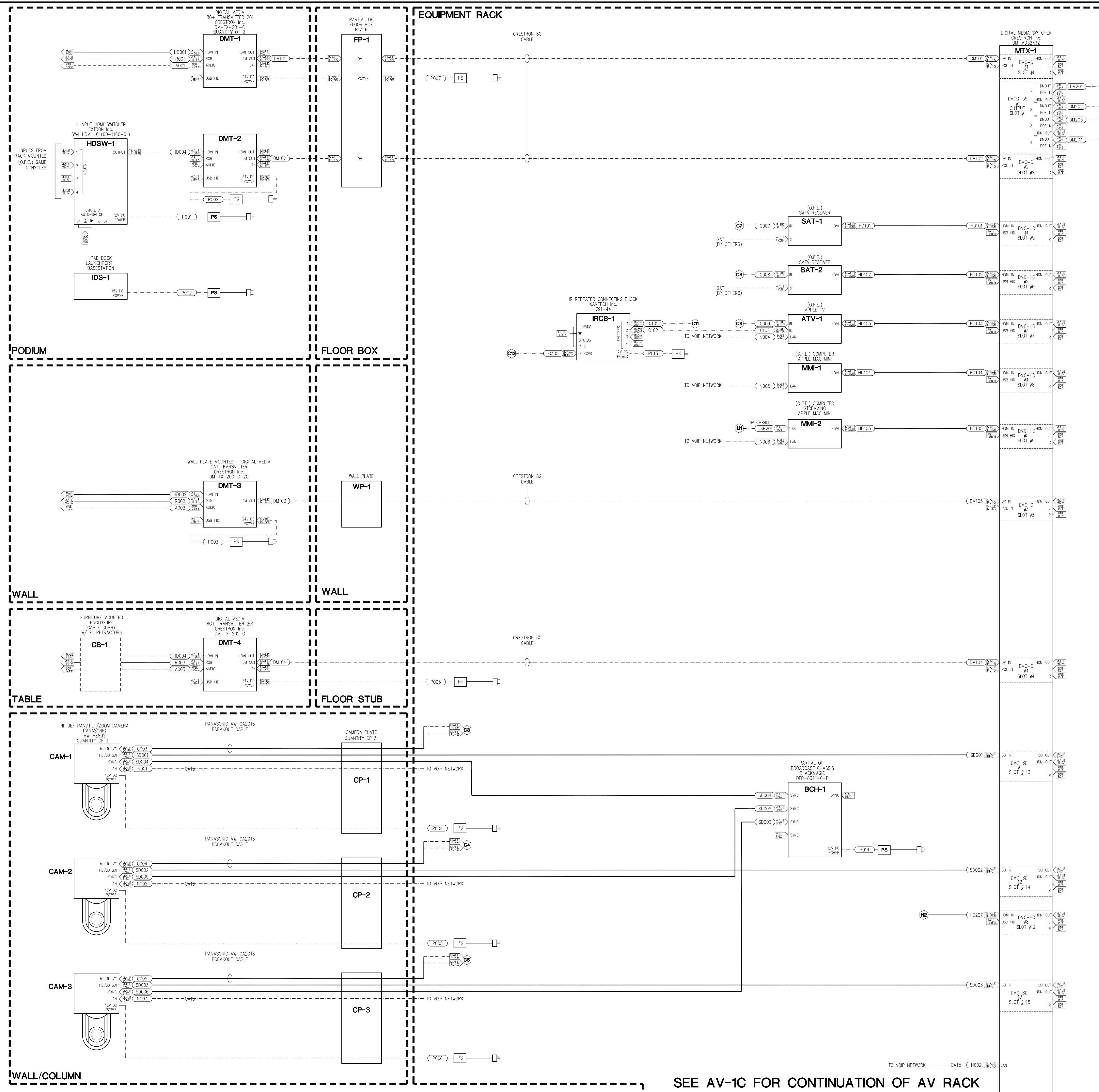
Drawing Date: 8/19/2013
 Drawn By: ALS
 Checked By:
 Filename: -
 Drawing Scale: NOTED
 Plotscale: -
 AVDG Project No.: 2098

Drawing Title:
Audiovisual System
AIRMOZILLA
FUNCTIONAL DIAGRAM

Sheet Number:

AV-1A

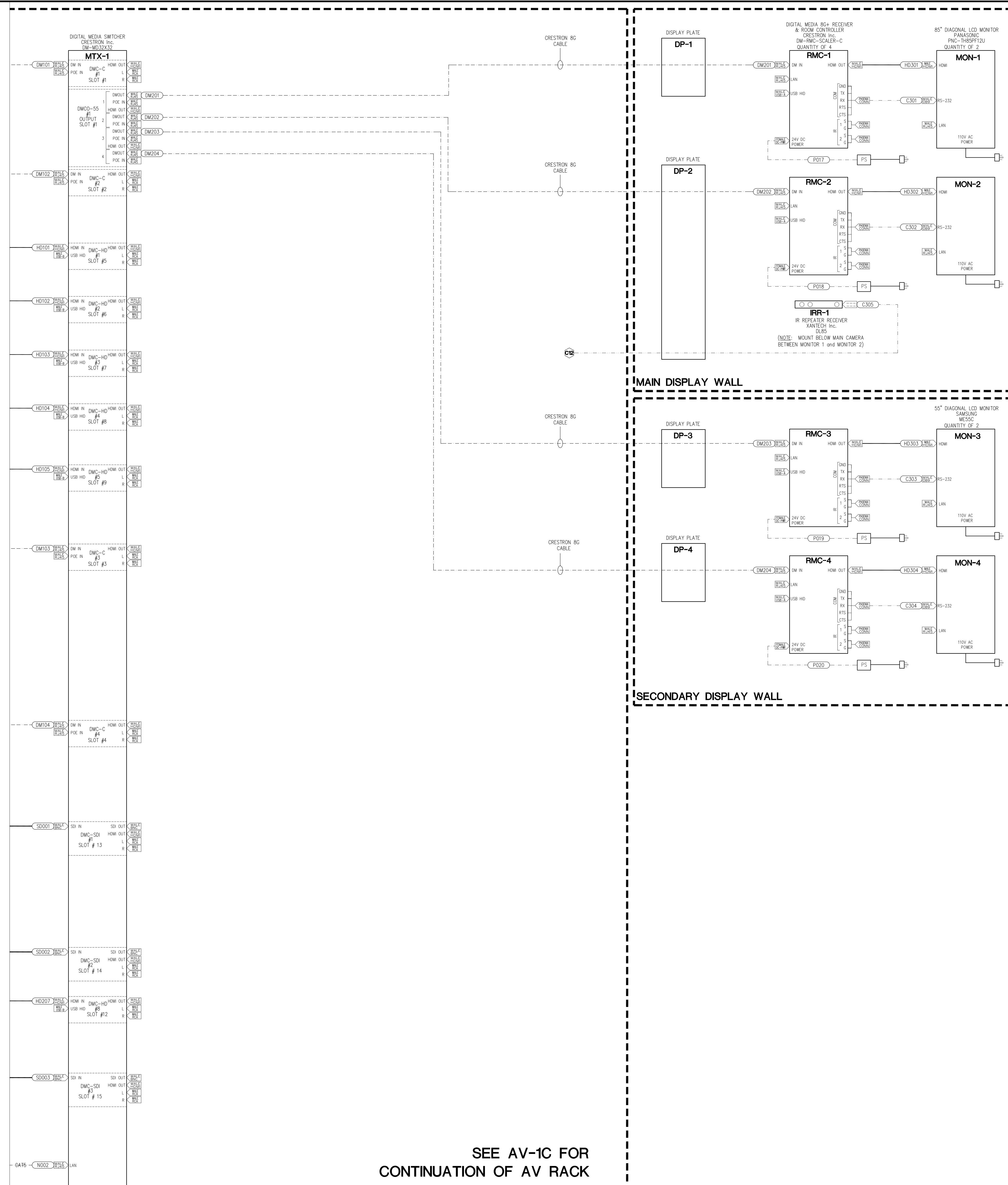
EQUIPMENT RACK



SEE AV-1B FOR DM SWITCHER OUTPUT DETAILS

SEE AV-1C FOR CONTINUATION OF AV RACK

SEE AV-1A FOR DM SWITCHER INPUT DETAILS



SEE AV-1C FOR CONTINUATION OF AV RACK

AUDIO VISUAL
Design Group, Inc.

2143 East Francisco Blvd.
San Rafael, CA 94901
415.455.9913 [MAIN]
415.532.2533 [FAX]
www.avdg.com

Client:

MOZILLA
VANCOUVER, B.C.

Architect:

General Contractor:

Audiovisual Consultant:

No.	Date:	Description:
1	8/19/13	DESIGN DOCUMENTS

Drawing Date: 8/19/2013
Drawn By: ALS
Checked By:
Filename: -
Drawing Scale: NOTED
Plotscale: -
AVDG Project No.: 2098

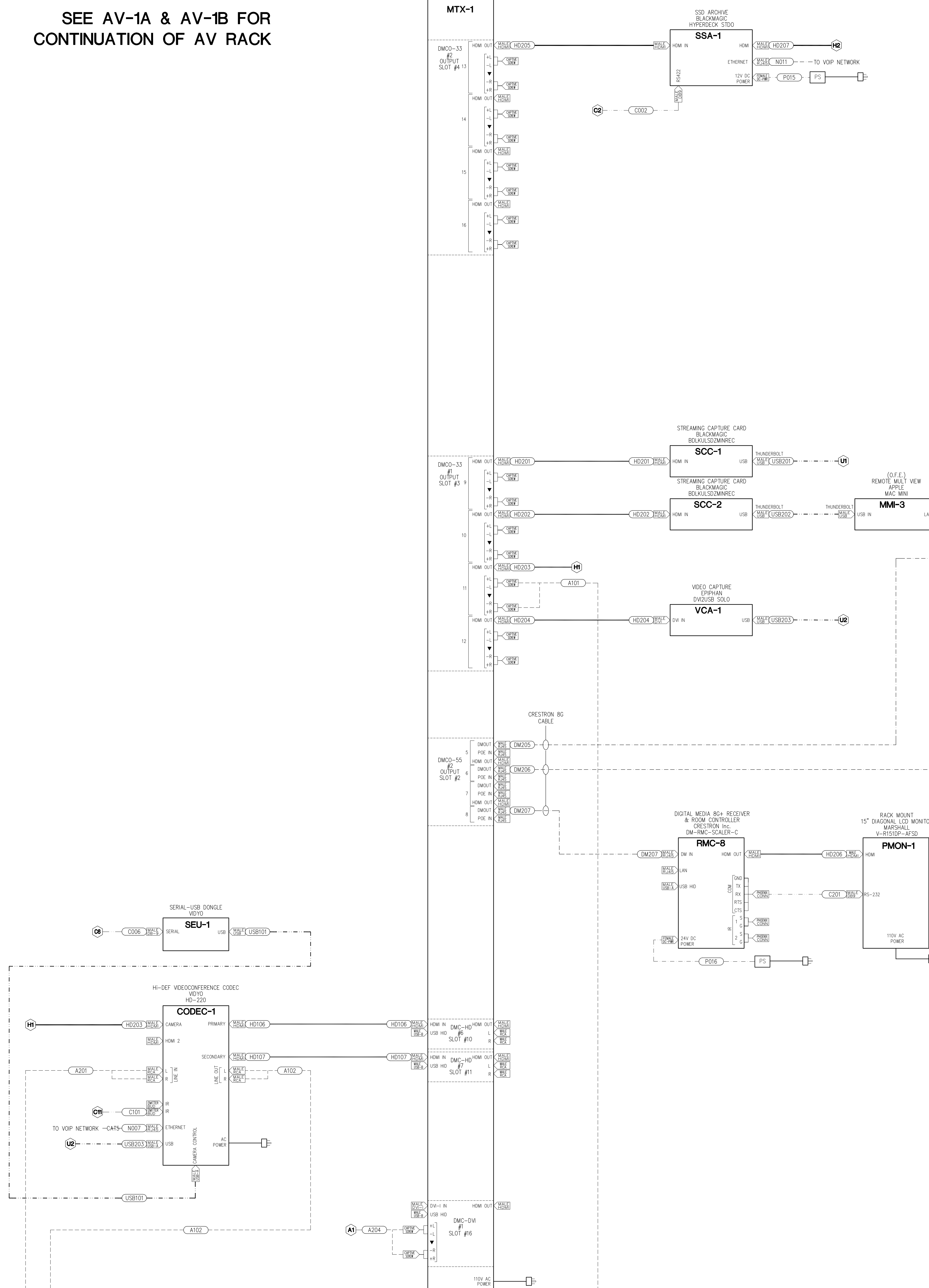
Drawing Title:
Audiovisual System
AIRMOZILLA
FUNCTIONAL DIAGRAM

Sheet Number:

AV-1B

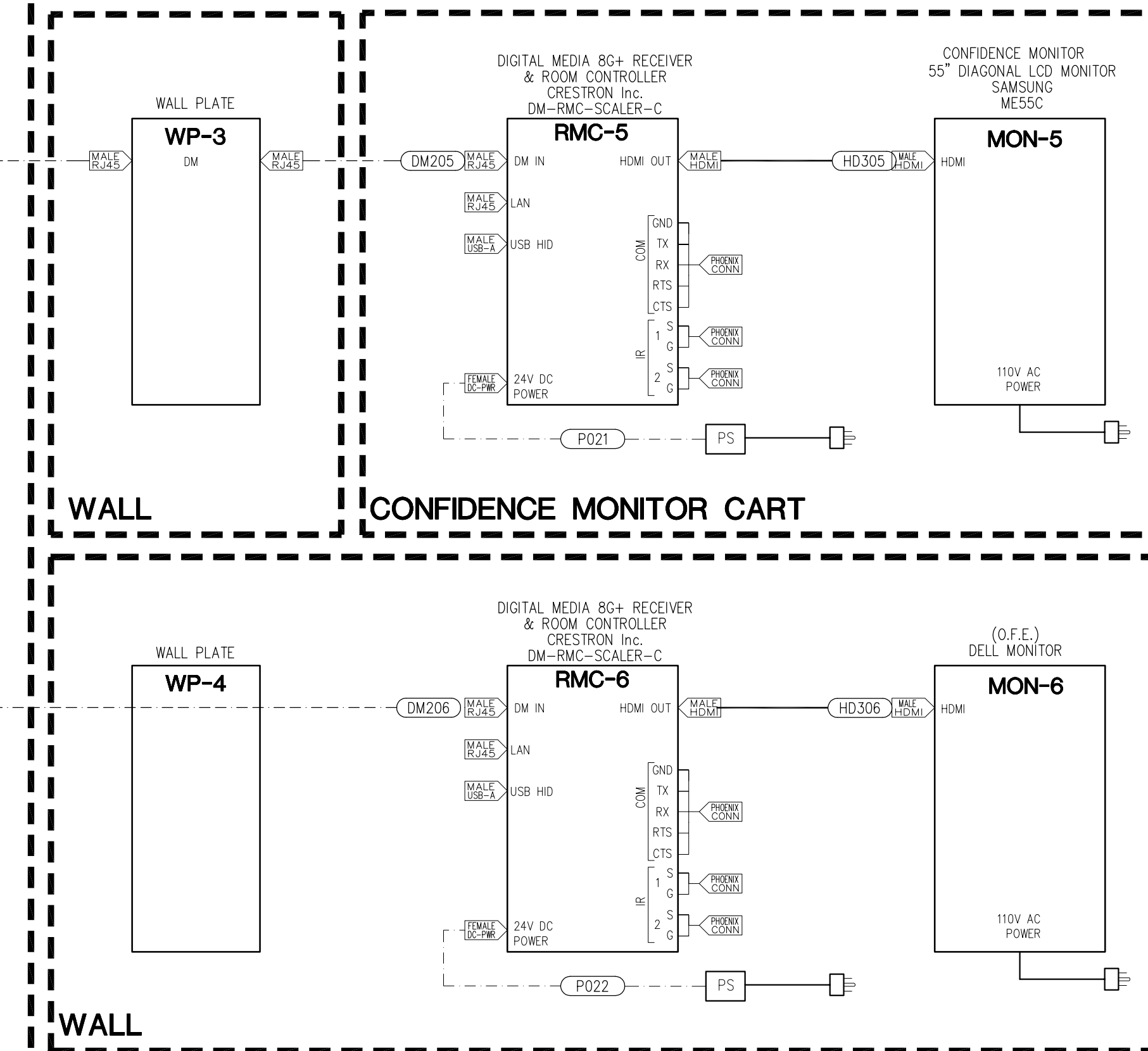
SEE AV-1A & AV-1B FOR CONTINUATION OF AV RACK

MTX-1



SEE AV-1D FOR CONTINUATION OF AV RACK

SEE AV-1B FOR DM SWITCHER OUTPUT DETAILS



AUDIO VISUAL
Design Group, Inc.

2143 East Francisco Blvd.
San Rafael, CA 94901
415.455.9913 [MAIN]
415.532.2533 [FAX]
www.avdg.com

Client:

MOZILLA
VANCOUVER, B.C.

Architect:

General Contractor:

Audiovisual Consultant:

No.	Date:	Description:
1	8/19/13	DESIGN DOCUMENTS

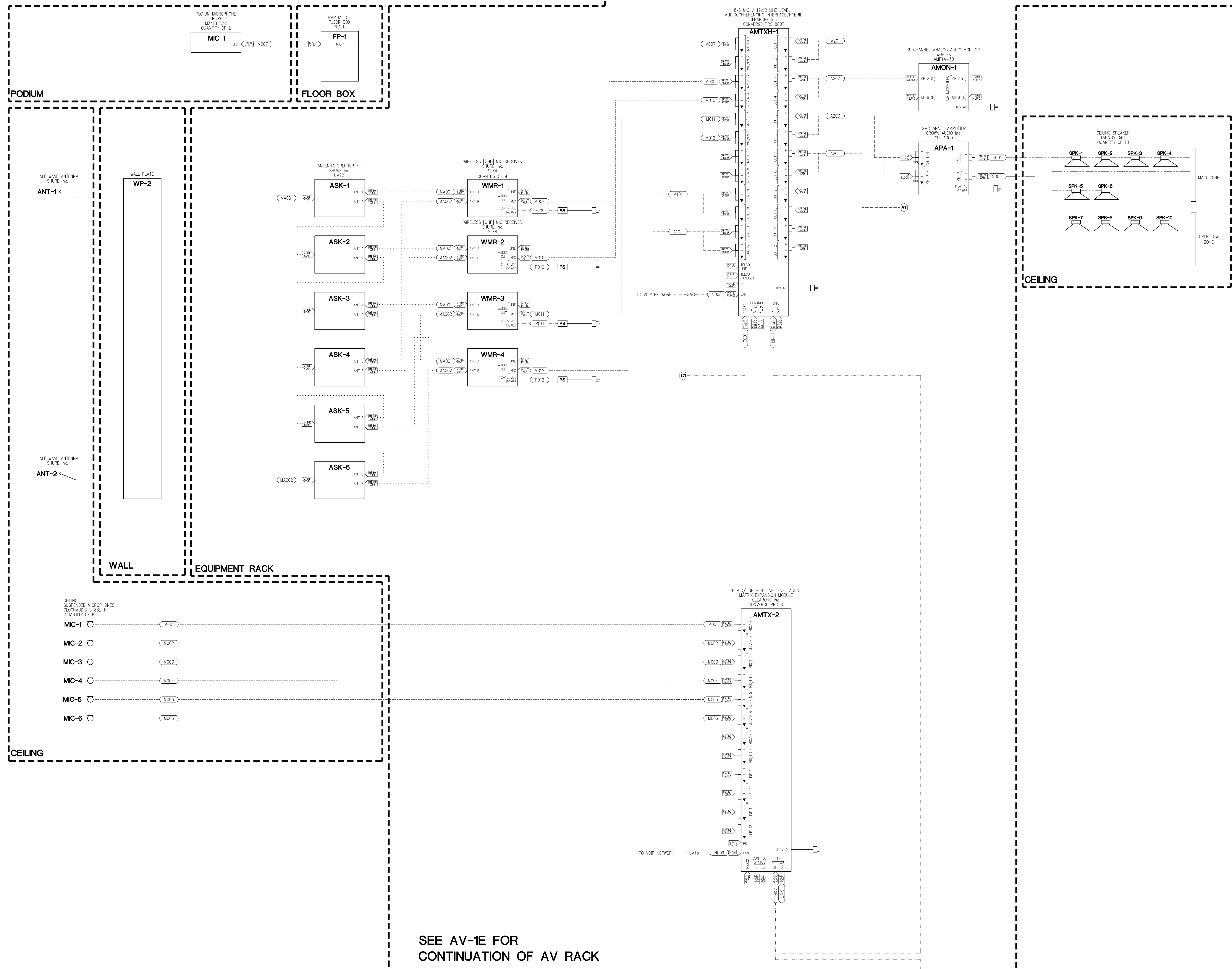
Drawing Date: 8/19/2013
Drawn By: ALS
Checked By:
Filename: -
Drawing Scale: NOTED
Plotscale: -
AVDG Project No.: 2098

Drawing Title:
Audiovisual System
AIRMOZILLA
FUNCTIONAL DIAGRAM

Sheet Number:

AV-1C

SEE AV-1C FOR
CONTINUATION OF AV RACK



SEE AV-1E FOR
CONTINUATION OF AV RACK

Client:
MOZILLA
VANCOUVER, B.C.

Architect:

General Contractor:

Audiovisual Consultant:

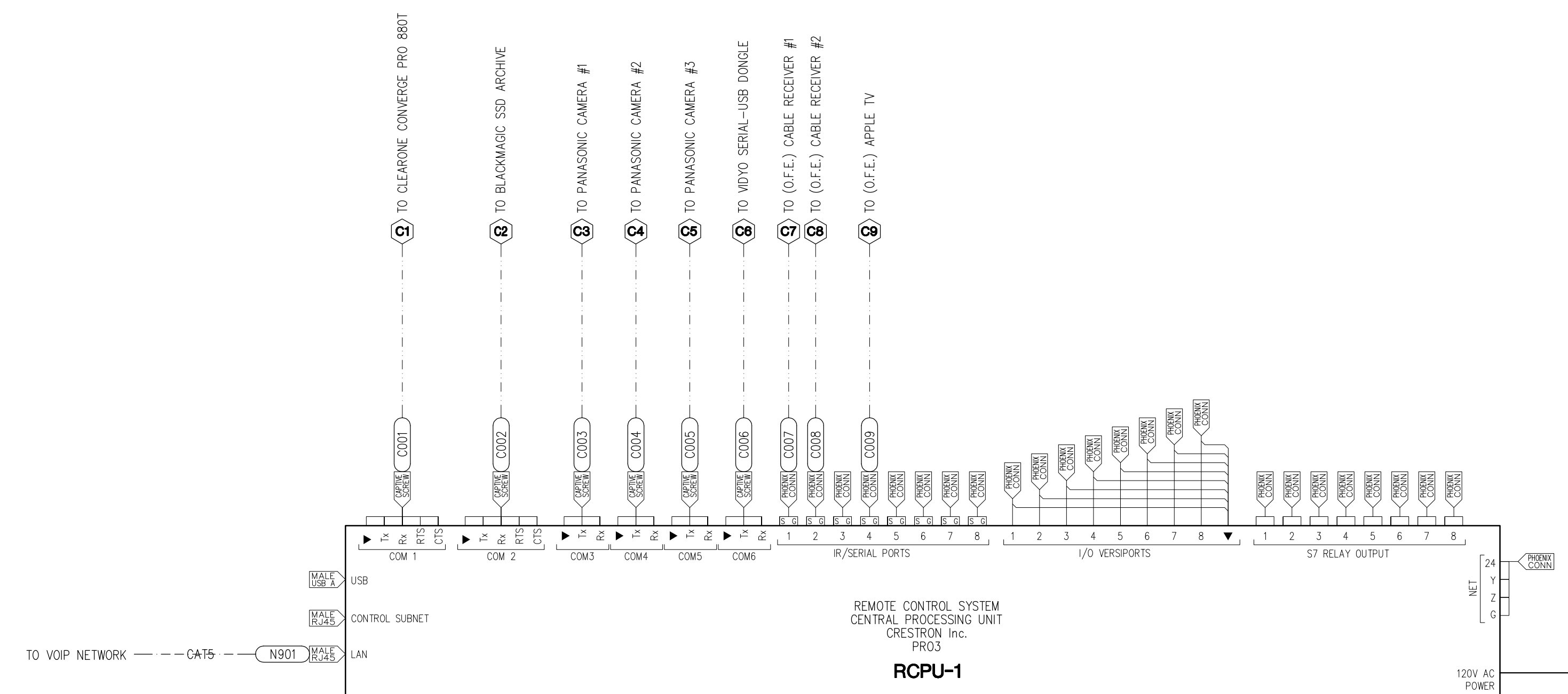
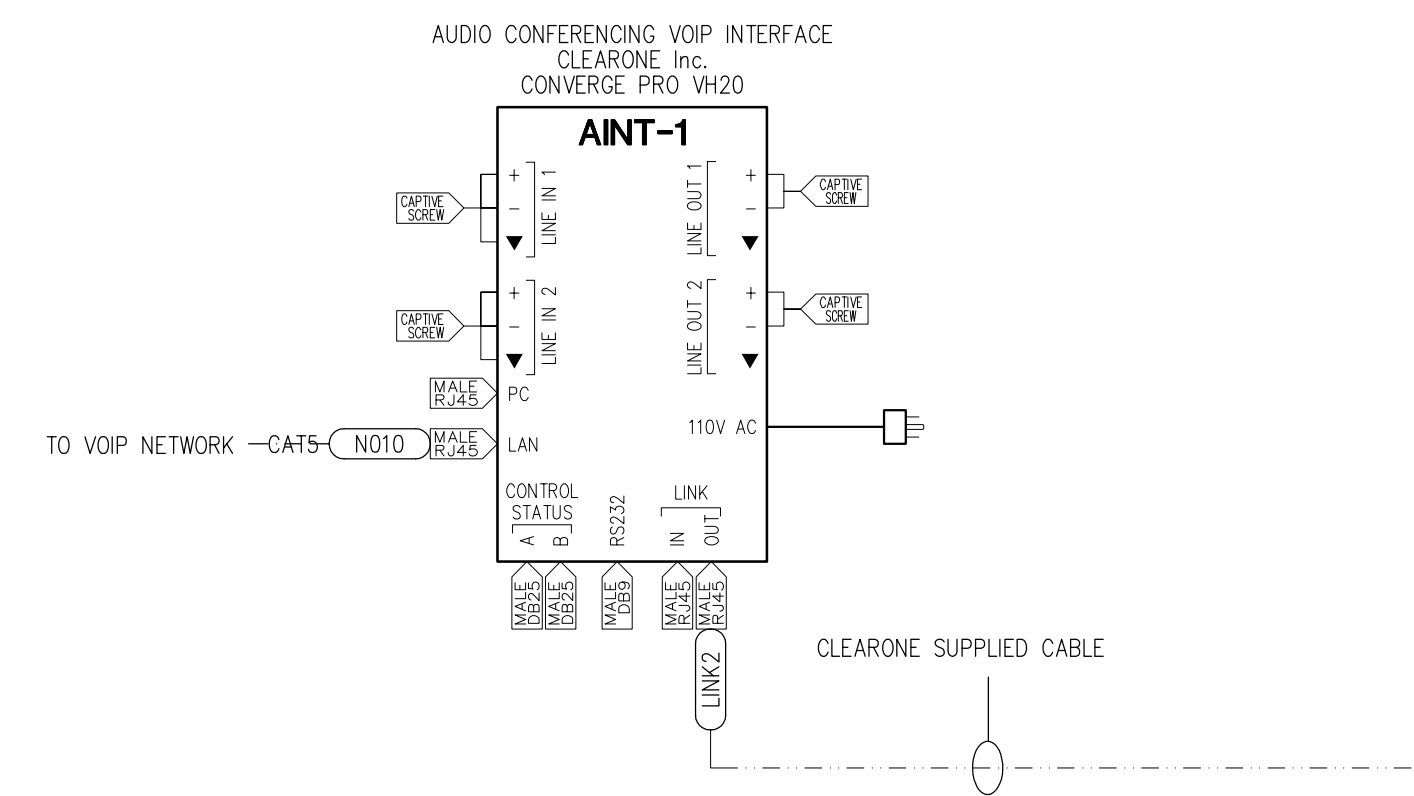
No.	Date:	Description:
1	8/19/13	DESIGN DOCUMENTS

Drawing Date: 8/19/2013
 Drawn By: ALS
 Checked By:
 Filename: -
 Drawing Scale: NOTED
 Plotscale: -
 AVDG Project No.: 2098

Drawing Title:
Audiovisual System
AIRMOZILLA
FUNCTIONAL DIAGRAM

Sheet Number:
AV-1D

SEE AV-1D FOR
CONTINUATION OF AV RACK



EQUIPMENT RACK

AUDIO VISUAL
Design Group, Inc.

2143 East Francisco Blvd.
San Rafael, CA 94901
415.455.9913 [MAIN]
415.532.2533 [FAX]
www.avdg.com

Client:

MOZILLA
VANCOUVER, B.C.

Architect:

General Contractor:

Audiovisual Consultant:

No.	Date:	Description:
1	8/19/13	DESIGN DOCUMENTS

Drawing Date: 8/19/2013
Drawn By: ALS
Checked By:
Filename: -
Drawing Scale: NOTED
Plotscale: -
AVDG Project No.: 2098

Drawing Title:
Audiovisual System
AIRMOZILLA
FUNCTIONAL DIAGRAM

Sheet Number:

AV-1E

Client:

MOZILLA
VANCOUVER, B.C.

Architect:

General Contractor:

Audiovisual Consultant:

No.	Date:	Description:
1	8/19/13	DESIGN DOCUMENTS

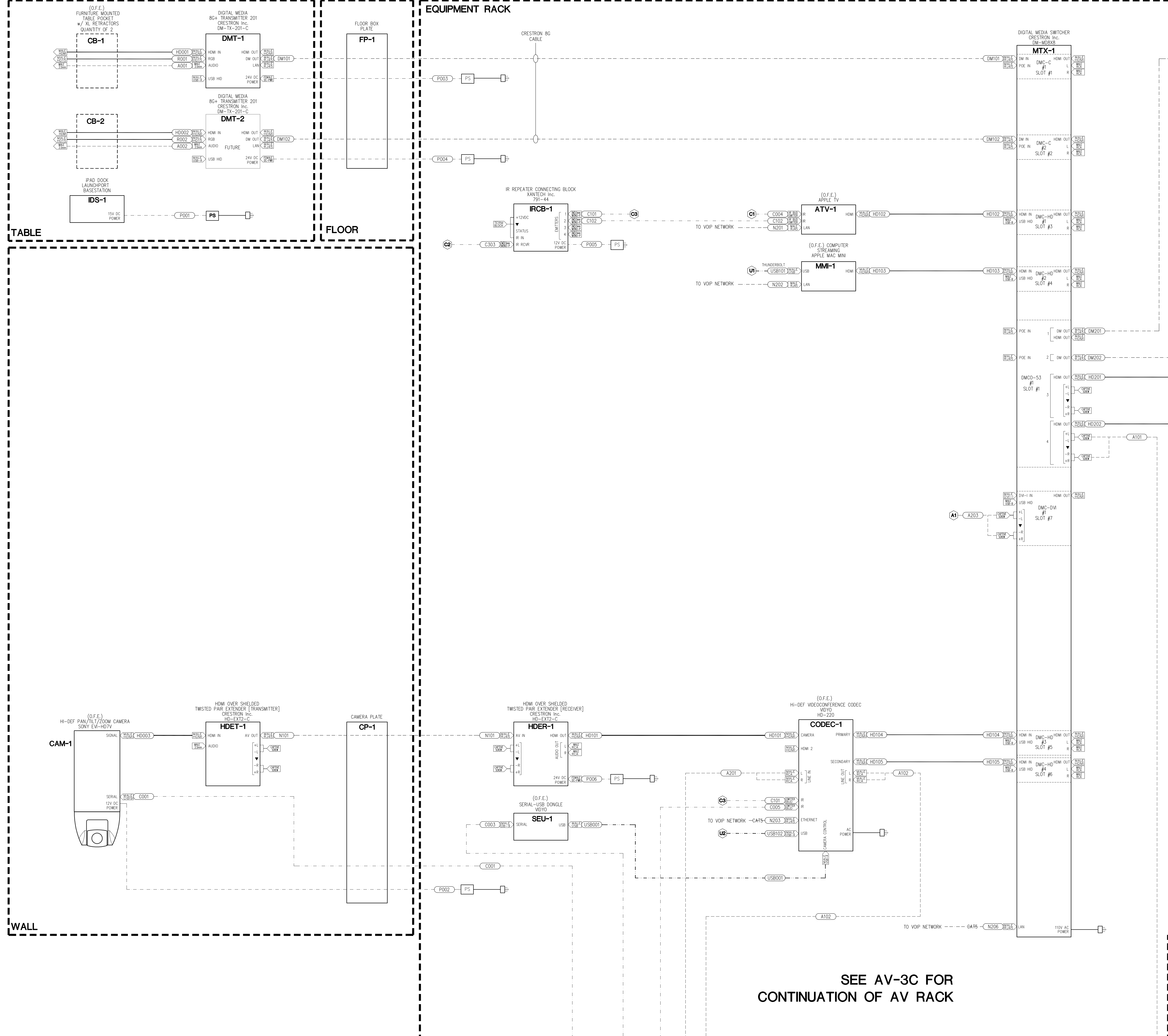
Drawing Date: 8/19/2013
 Drawn By: ALS
 Checked By:
 Filename: -
 Drawing Scale: NOTED
 Plotscale: -
 AVDG Project No.: 2098

Drawing Title:
Audiovisual System
VIDEO CONFERENCE ROOM
FUNCTIONAL DIAGRAM

Sheet Number:

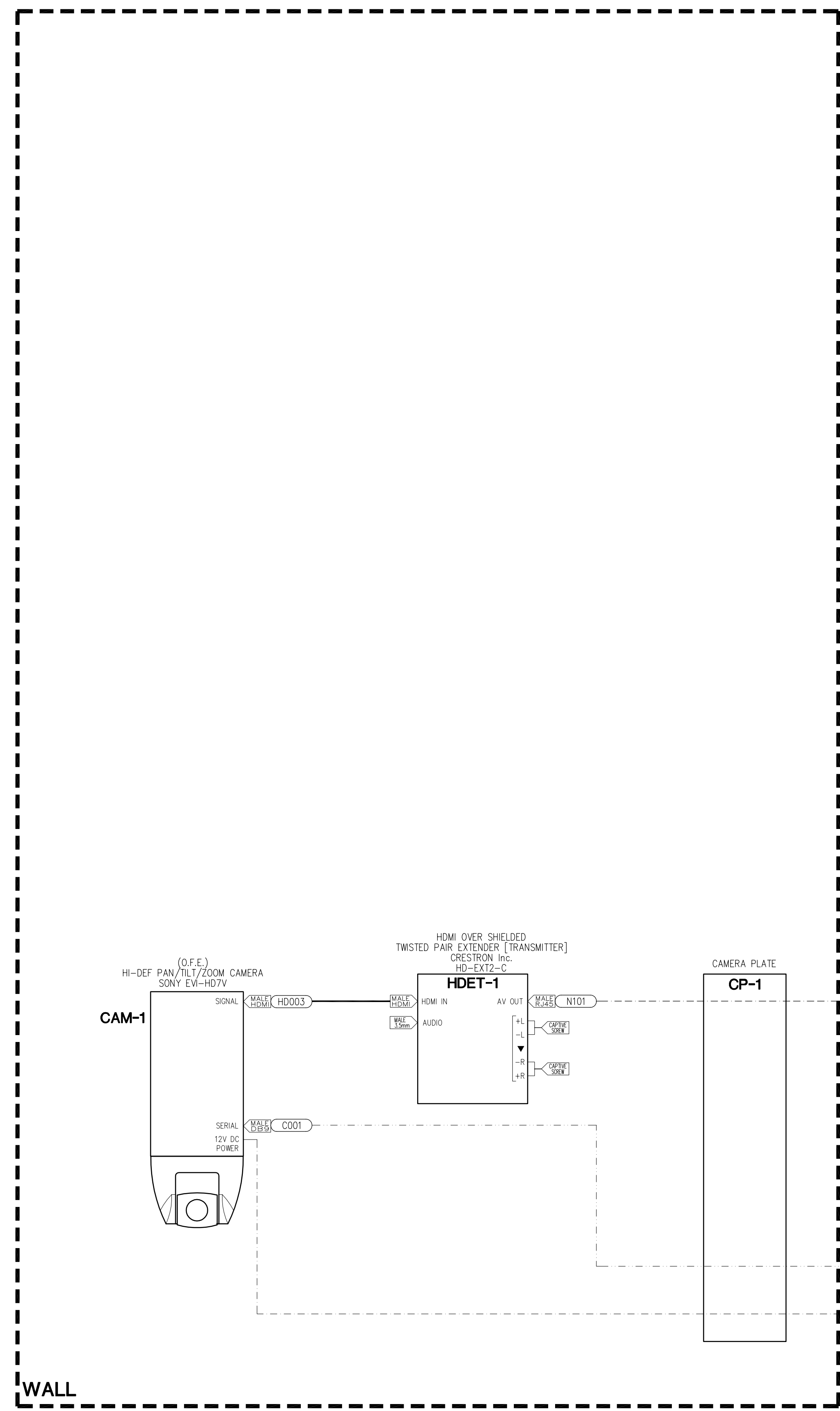
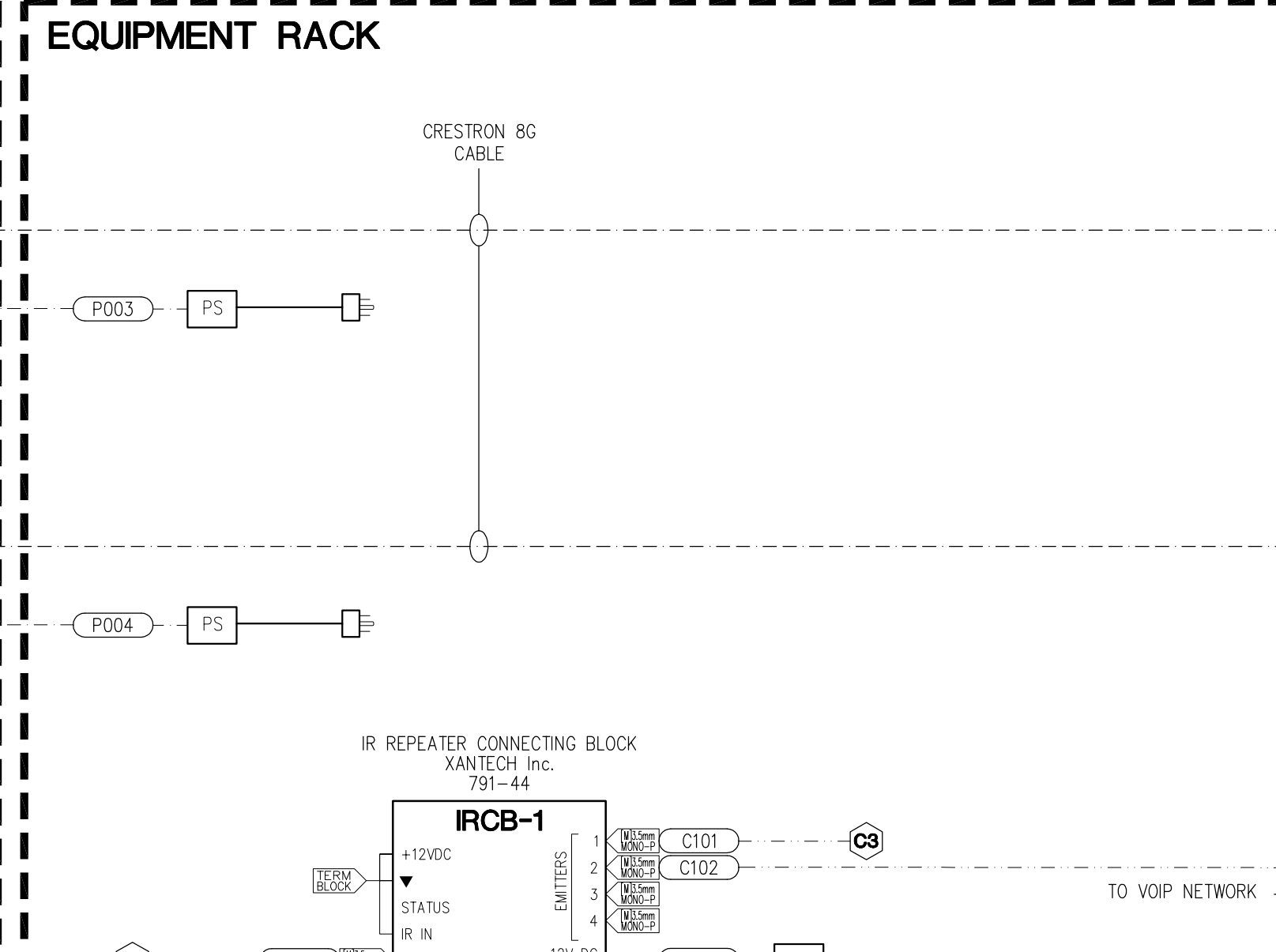
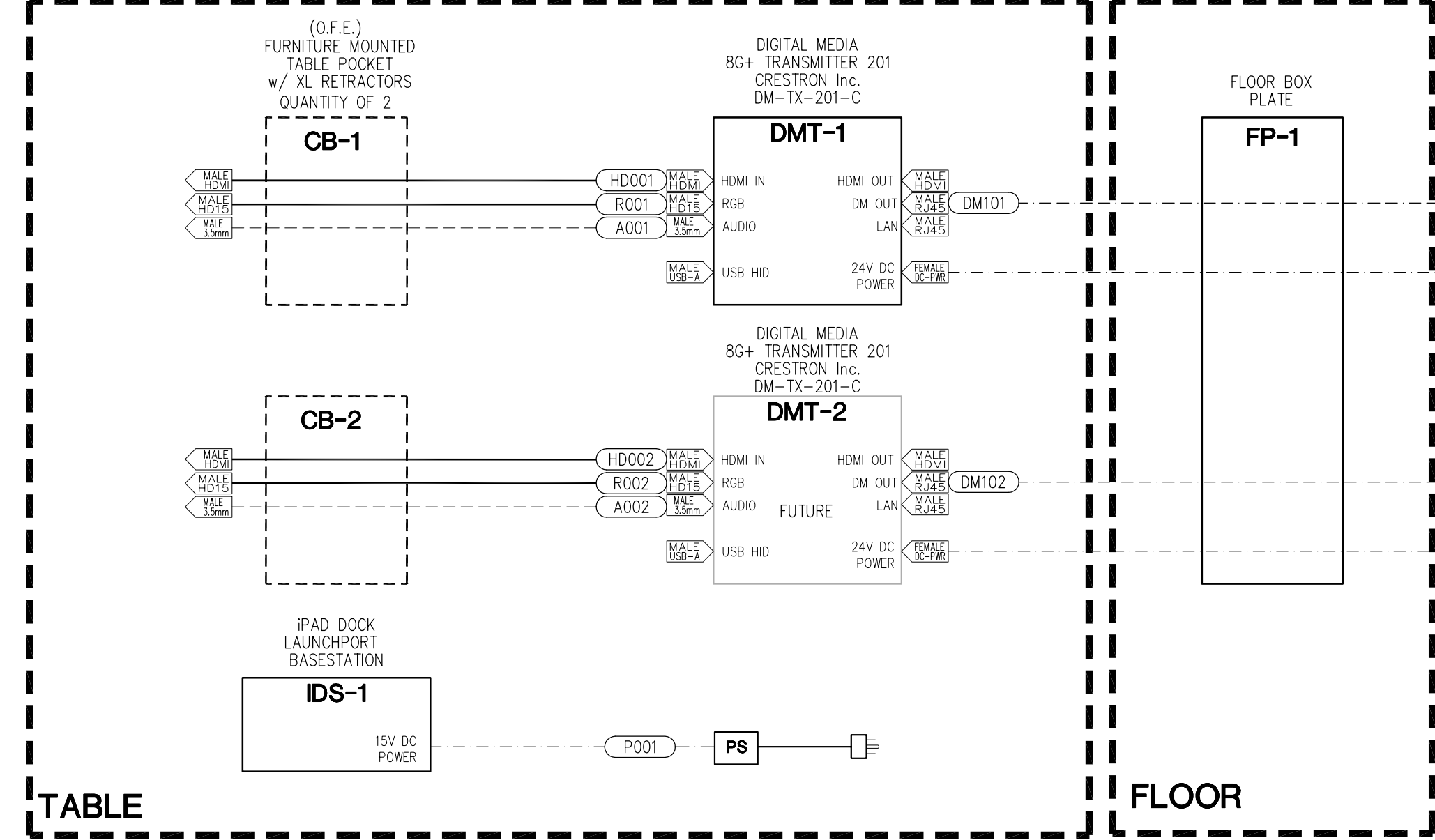
AV-2A

EQUIPMENT RACK

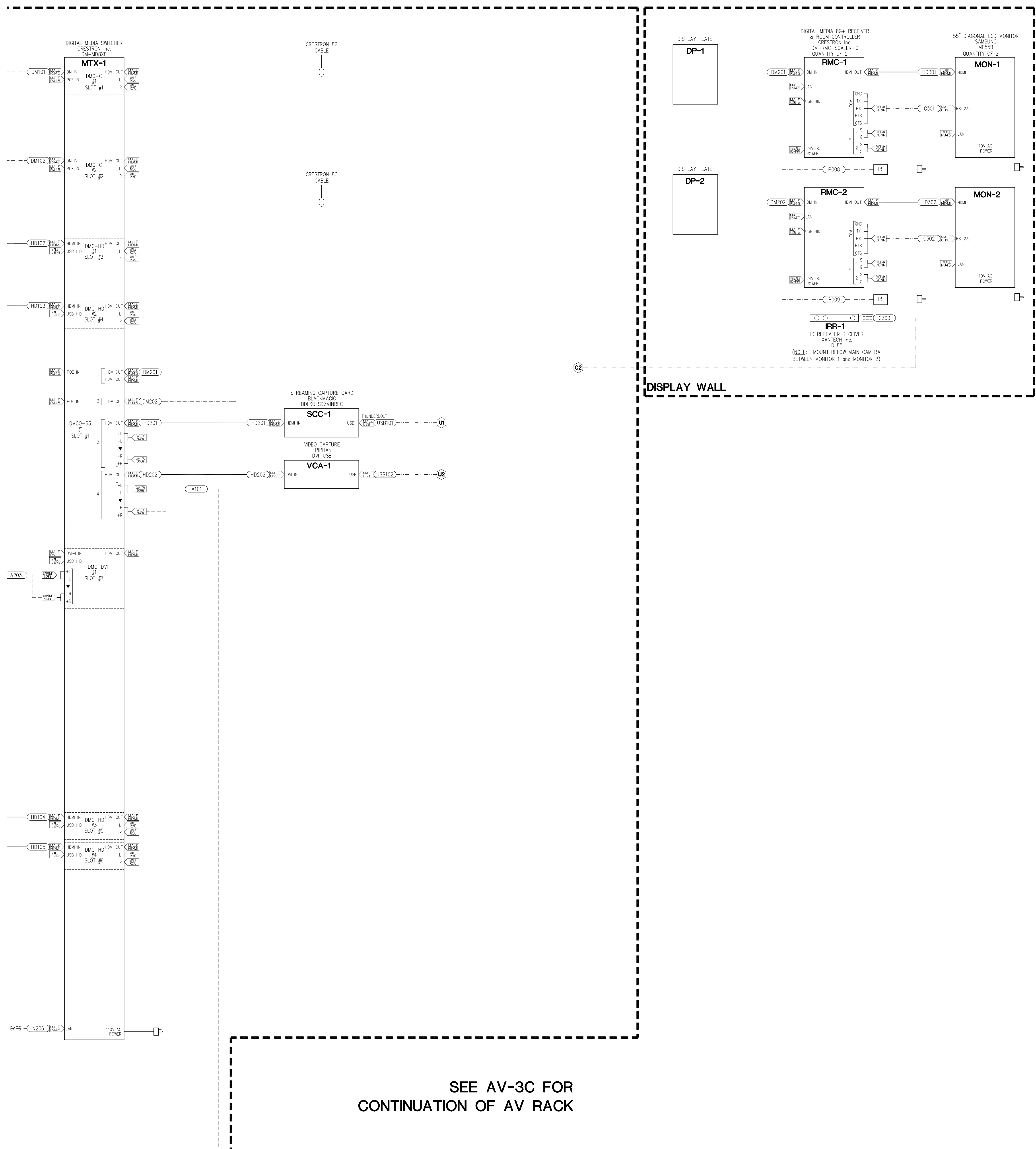


SEE AV-3B FOR DM SWITCHER OUTPUT DETAILS

SEE AV-3C FOR CONTINUATION OF AV RACK



SEE AV-3A FOR DM SWITCHER INPUT DETAILS



SEE AV-3C FOR CONTINUATION OF AV RACK



2143 East Francisco Blvd.
San Rafael, CA 94901
415.455.9913 [MAIN]
415.532.2533 [FAX]
www.avdg.com

Client:
MOZILLA
VANCOUVER, B.C.

Architect:

General Contractor:

Audiovisual Consultant:

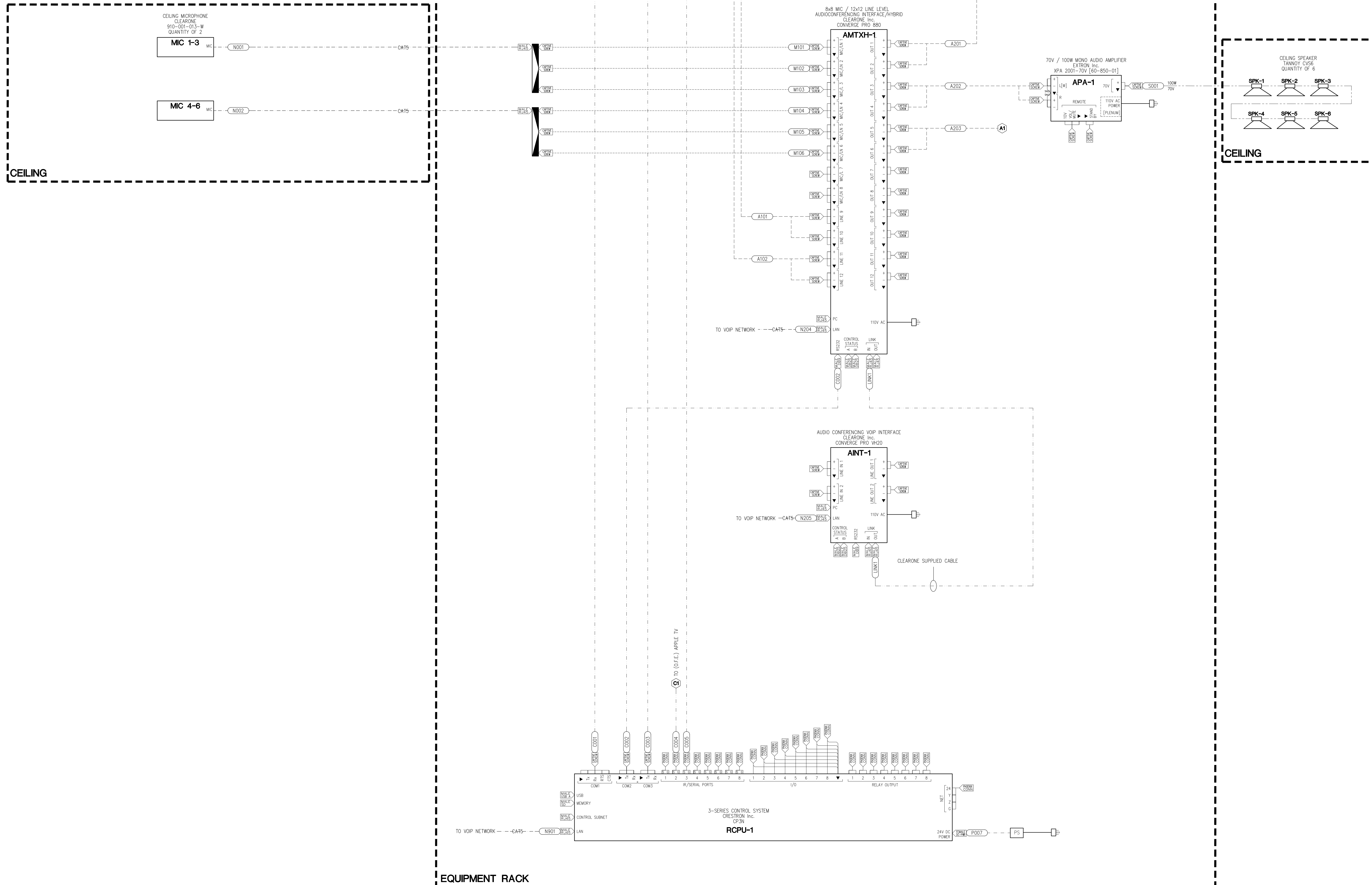
No.	Date:	Description:
1	8/19/13	DESIGN DOCUMENTS

Drawing Date: 8/19/2013
Drawn By: ALS
Checked By:
Filename: -
Drawing Scale: NOTED
Plotscale: -
AVDG Project No.: 2098

Drawing Title:
Audiovisual System
VIDEO CONFERENCE ROOM
FUNCTIONAL DIAGRAM

Sheet Number:
AV-2B

SEE AV-3A & 3B FOR
CONTINUATION OF AV RACK



AUDIO VISUAL
Design Group, Inc.

2143 East Francisco Blvd.
San Rafael, CA 94901
415.455.9913 [MAIN]
415.532.2533 [FAX]
www.avdg.com

Client:

MOZILLA
VANCOUVER, B.C.

Architect:

General Contractor:

Audiovisual Consultant:

No.	Date:	Description:
1	8/19/13	DESIGN DOCUMENTS

Drawing Date: 8/19/2013
 Drawn By: ALS
 Checked By:
 Filename: -
 Drawing Scale: NOTED
 Plotscale: -
 AVDG Project No.: 2098

Drawing Title:
Audiovisual System
VIDEO CONFERENCE ROOM
FUNCTIONAL DIAGRAM

Sheet Number:

AV-2C

