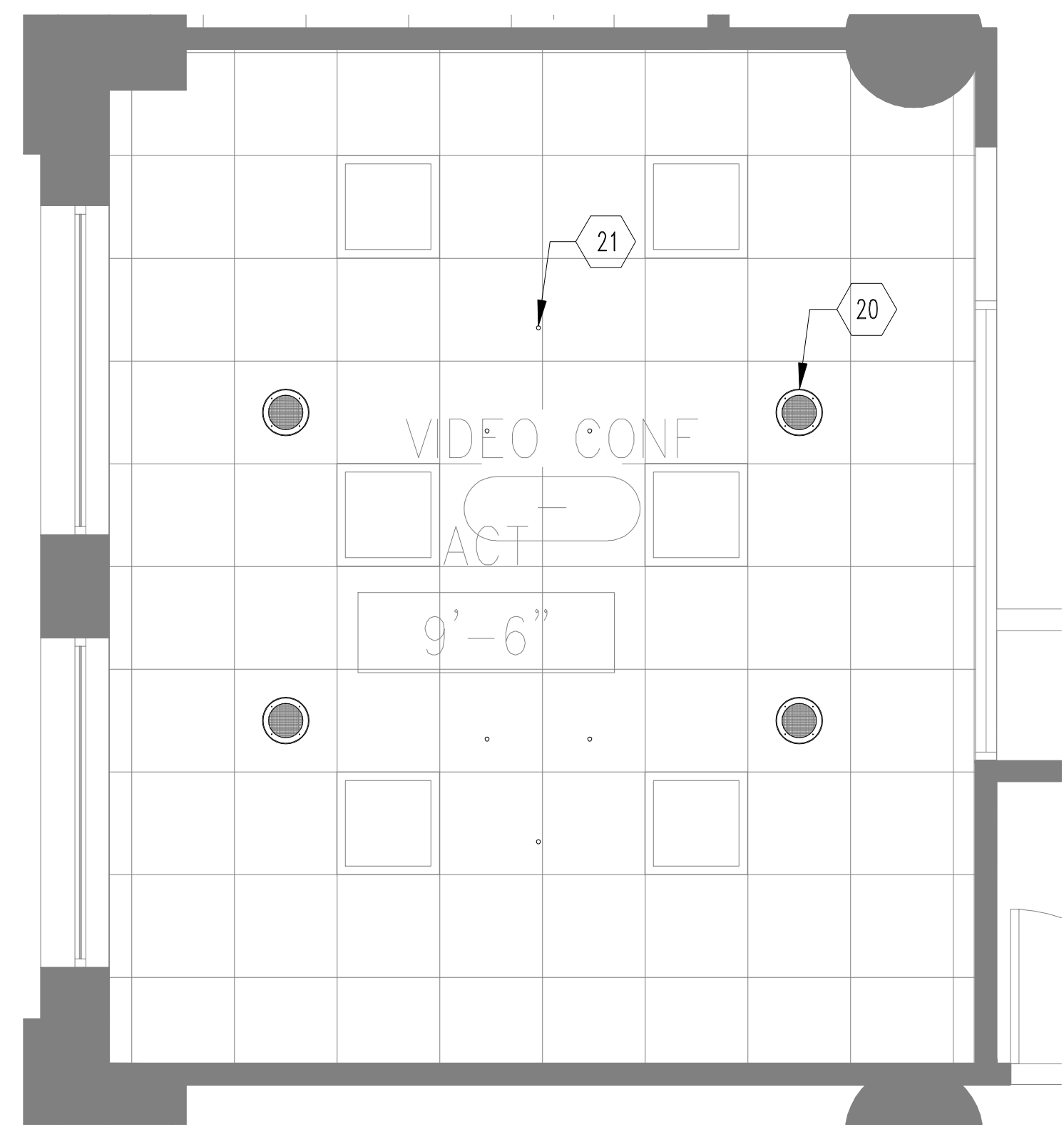
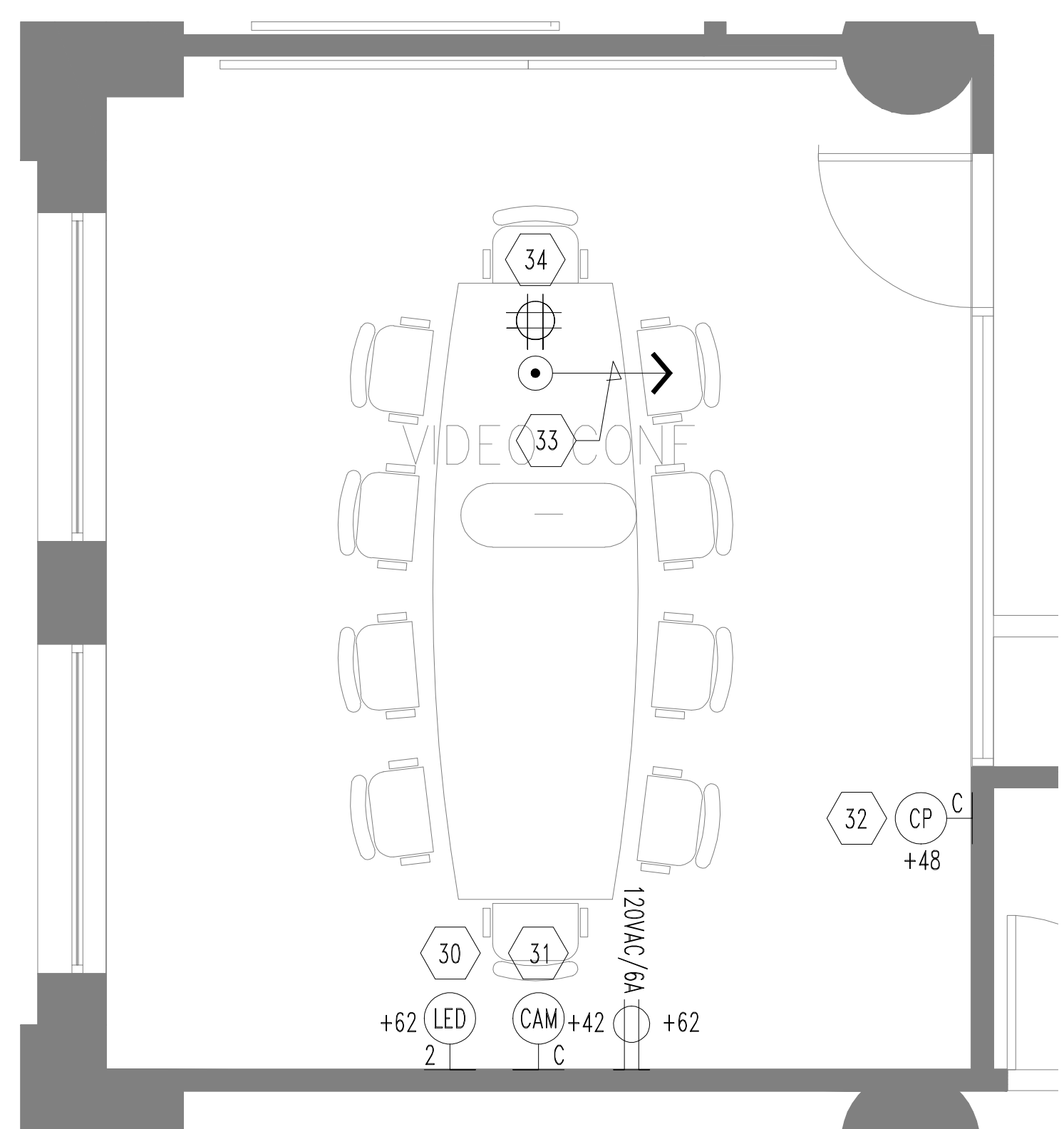


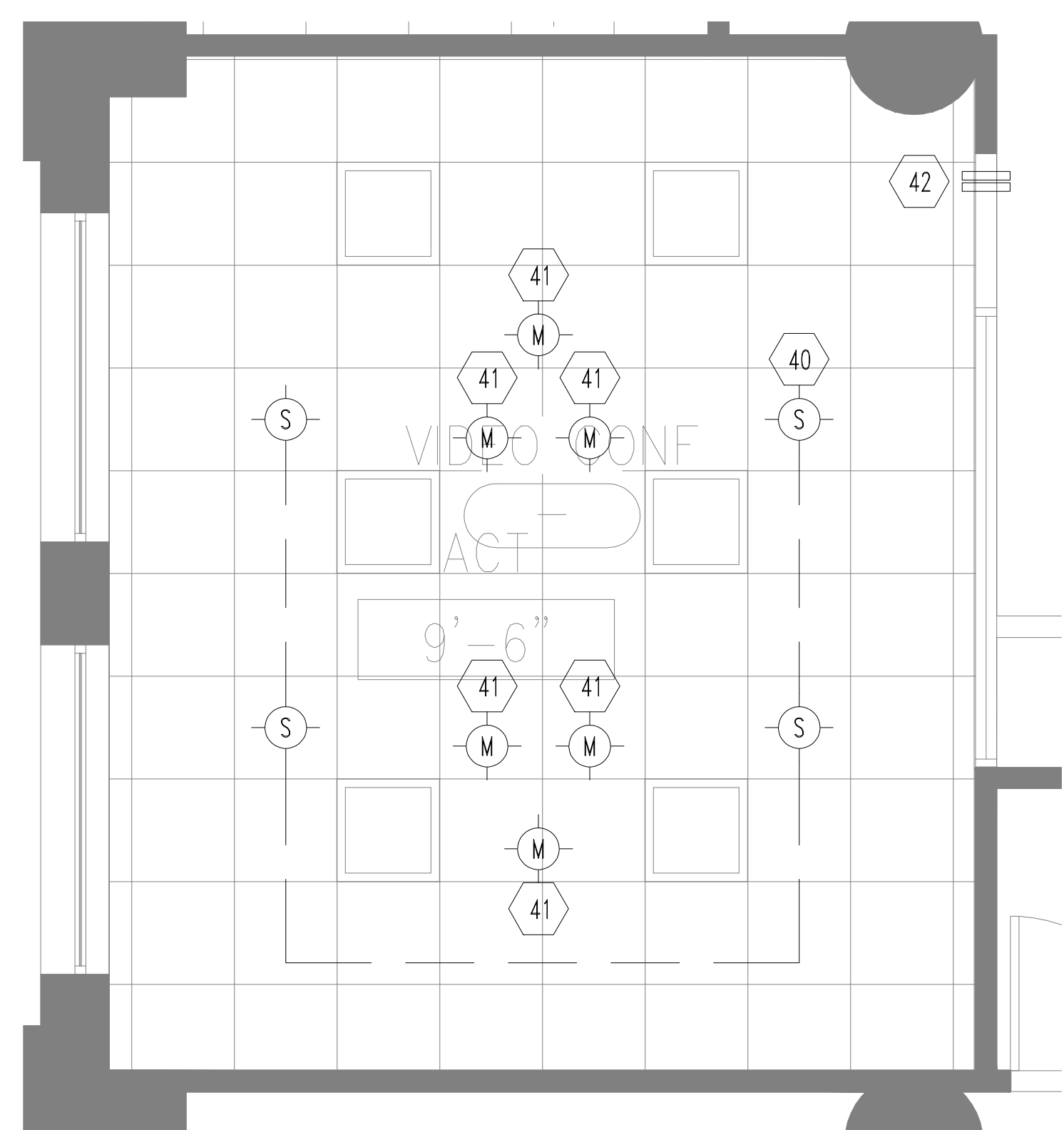
1 AV SYSTEMS  
VIDEO CONFERENCE ROOM [SOUTH] FLOOR PLAN - AV FACILITIES  
SCALE: 3/8" = 1'-0"



2 AV SYSTEMS  
VIDEO CONFERENCE ROOM [SOUTH] CEILING PLAN - AV FACILITIES  
SCALE: 3/8" = 1'-0"



3 AV SYSTEMS  
VIDEO CONFERENCE ROOM [SOUTH] FLOOR PLAN - AV ELECTRICAL  
SCALE: 3/8" = 1'-0"



4 AV SYSTEMS  
VIDEO CONFERENCE ROOM [SOUTH] CEILING PLAN - AV ELECTRICAL  
SCALE: 3/8" = 1'-0"

**AV EQUIPMENT LEGEND:**

FACILITIES PLAN DRAWINGS ONLY

- 1 55" LED SCREEN MOUNTED ONTO THE FINISHED WALL TREATMENT AND ATTACHED DIRECTLY TO WALL STUDS.
  - LED SCREEN W/MOUNT = 75 LBS
  - LED SCREEN DIMENSIONS: 28.6"H x 49.4"W x 1.7"D
  - LED MOUNT DIMENSIONS: 16.5"H x 34.34"W x 1.96"D
  - LED SCREEN & WALL MOUNT PROVIDED & INSTALLED BY [A.V.C.]
- 2 HIGH DEFINITION VIDEO CAMERA MOUNTED WITHIN IN-WALL CAMERA BOX.
  - CAMERA BOX DIMENSIONS: 9.23"H x 14.70"W x 3.94"D
  - CAMERA BOX PROVIDED BY [A.V.C.] & INSTALLED BY [G.C.]
  - CAMERA PROVIDED & INSTALLED BY [A.V.C.]
- 3 IPAD IN-WALL DOCKING STATION MOUNTED FLUSH WITH THE FINISHED WALL TREATMENT.
  - DIMENSIONS: 9.54"H x 11.29"W x 2.75"D
  - DOCKING STATION PROVIDED & INSTALLED BY [A.V.C.]
- 4 SURFACE MOUNTABLE ENCLOSURE FOR AV, DATA, AC POWER CONNECTIVITY MOUNTED SEMI-FLUSH WITH TABLE.
  - MFR/MODEL: EXTRON Inc. "CABLE CUBBY 600"
  - DIMENSIONS: 6.41"H x 6.96"W x 6.96"D
  - COLOR: BLACK
  - ENCLOSURE PROVIDED AND INSTALLED BY [A.V.C.]
  - CUTOOUT TO FACILITATE ENCLOSURE BY [MILLWORK CONTRACTOR]
  - TYPICAL OF 2
- 20 6.5" COAXIAL, 70V CEILING LOUDSPEAKER MOUNTED SEM-FLUSH WITH THE FINISHED CEILING TREATMENT.
  - DIMENSIONS: 10.90"H x 11.02"D
  - COLOR: WHITE
  - LOUDSPEAKER ASSEMBLY PROVIDED & INSTALLED BY [A.V.C.]
  - BRACING & SUPPORT WIRE TO THE CEILING DECK ABOVE PROVIDED & INSTALLED BY [A.V.C.]
  - TYPICAL OF 4
- 21 CEILING MOUNTED MICROPHONE
  - HANGING HEIGHT: TBD
  - COLOR: WHITE
  - CEILING MICROPHONE PROVIDED & INSTALLED BY [A.V.C.]
  - EXACT LOCATION OF CEILING MICROPHONES TO BE COORDINATED WITH CONFERENCE TABLE LAYOUT.
  - TYPICAL OF 6

**AV ELECTRICAL LEGEND:**

ELECTRICAL DRAWINGS ONLY

- 30 AT LED SCREEN: PROVIDE [2] 1" C. TO STUB-OUT POINT ABOVE THE FINISHED ACCESSIBLE CEILING, DIRECTLY ABOVE.
- 31 AT VIDEO CAMERA: PROVIDE [1] 1" C. TO STUB-OUT POINT ABOVE THE FINISHED ACCESSIBLE CEILING, DIRECTLY ABOVE.
- 32 AT IPAD DOCKING STATION: PROVIDE [1] 1" C. ABOVE IPAD DOCKING STATION TO STUB-OUT POINT ABOVE THE FINISHED ACCESSIBLE CEILING, DIRECTLY ABOVE.
- 33 AT CONFERENCE TABLE: PROVIDE [2] 1-1/4" CONDUITS TO STUB-OUT POINT ABOVE THE FINISHED ACCESSIBLE CEILING.
- 34 AT CONFERENCE TABLE: [1] 120V [15 AMP] DEDICATED QUAD 4-PLEX OUTLET MOUNTED WITHIN CONFERENCE TABLE LEG.
- 40 FREE RUN PLENUM AUDIO CABLE BETWEEN ALL 'S' [CEILING LOUDSPEAKERS]
- 41 FREE RUN PLENUM AUDIO CABLE FROM 'M' [CEILING MICROPHONE]
- 42 PROVIDE [2] 2" CONDUITS BETWEEN THE FINISHED ACCESSIBLE CEILING AND IT ROOM.

- PRELIMINARY
- For SUBMITTAL (CD1)
- For CONSTRUCTION (CD2)
- AS BUILTS
- SKETCH
- Other:

No	Date	Description
1	1-31-12	For Review

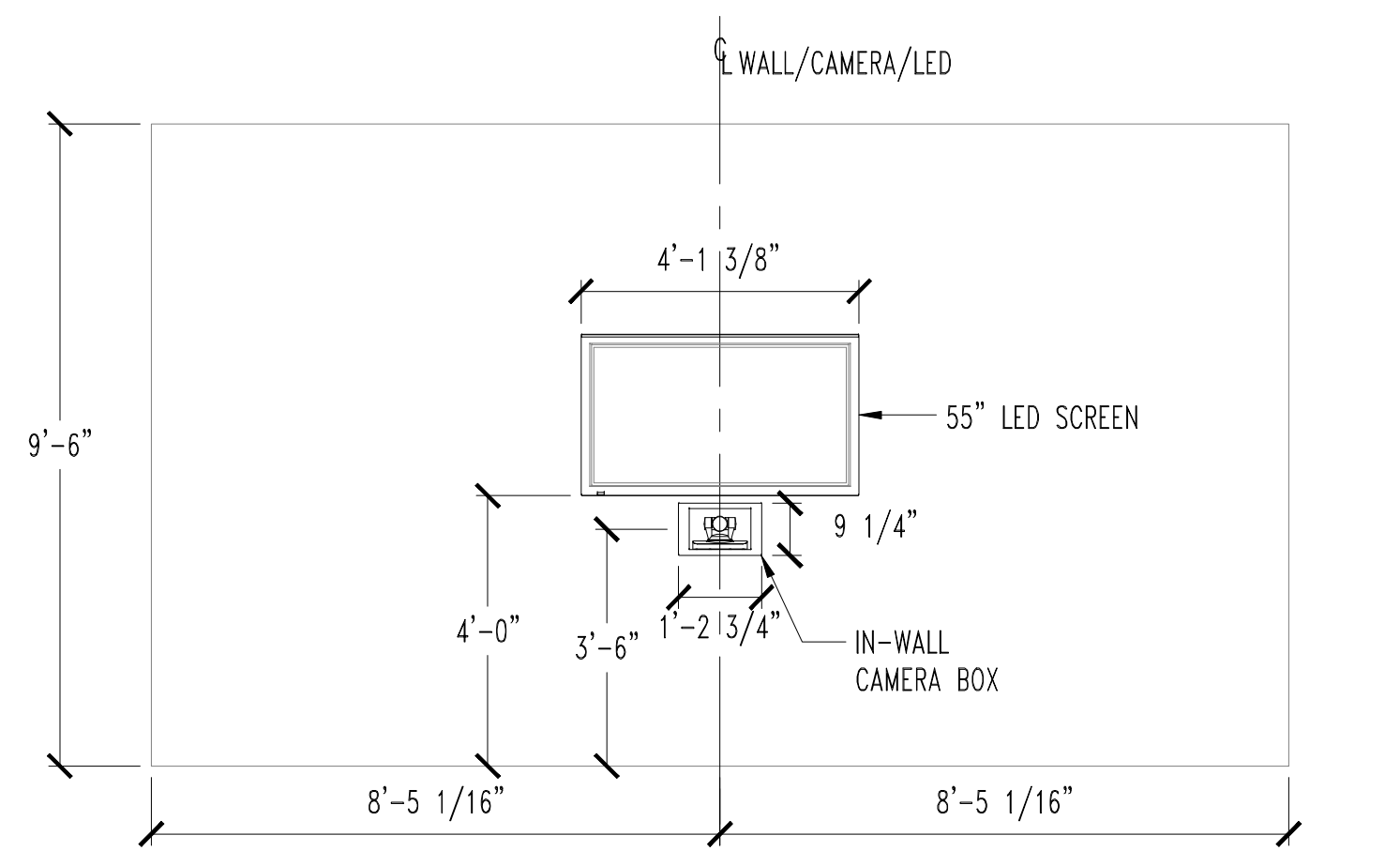
**Notice:**  
This drawing is the property of Avidex. Design information, drawings, details, and/or specification data may not be reproduced or duplicated. No work may be executed without written authorization of Avidex.  
© Copyright 2004, Avidex Industries LLC

Job Number: ---  
Engineered By: B. MacLeod  
Project Manager: ---  
Drawn By: B. MacLeod  
Approved By: ---  
Scale: As Noted  
File Name: ---

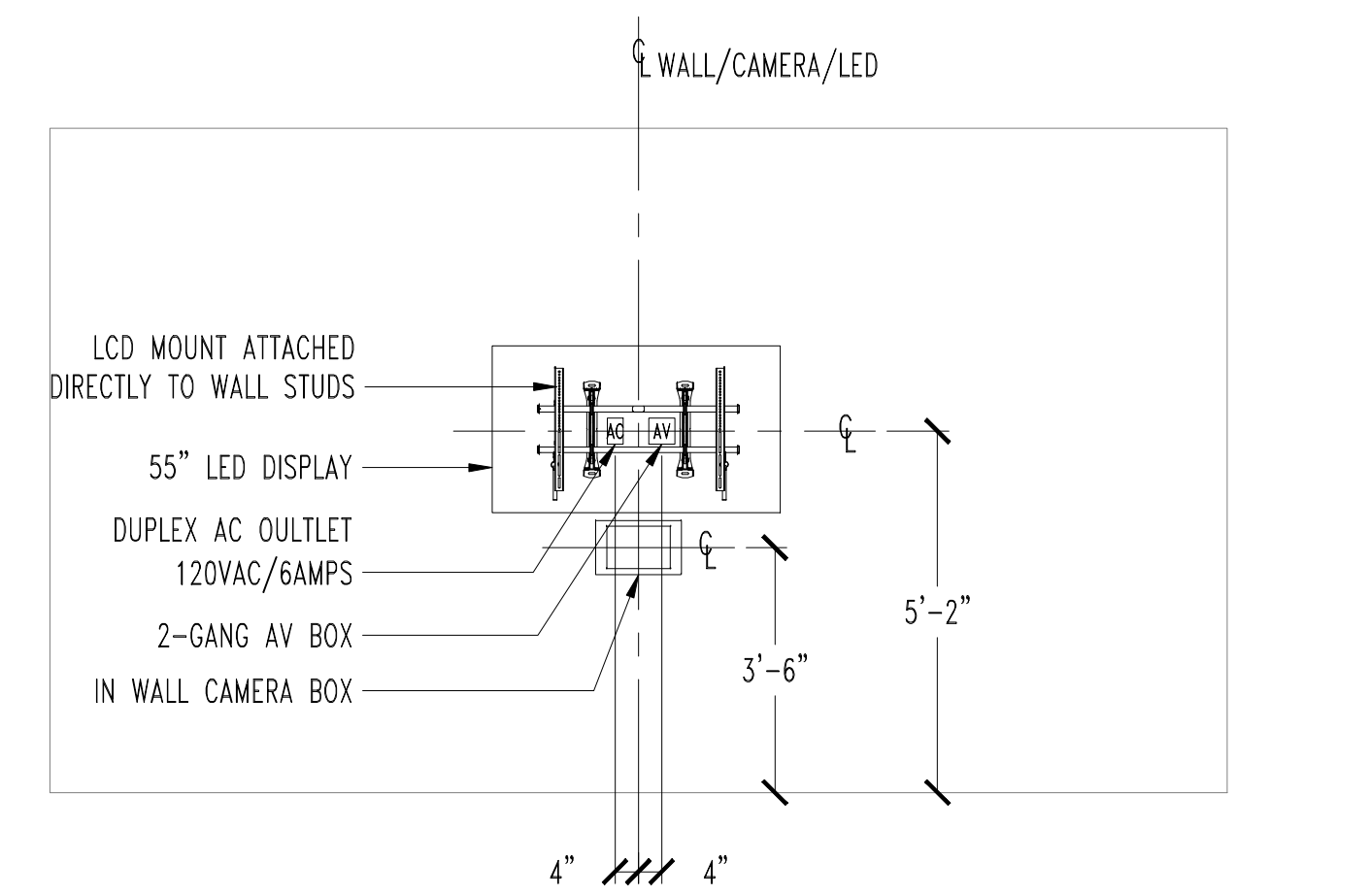
AV System Plan for:  
**Mozilla San Francisco**  
2 Harrison Street, Suite 310  
San Francisco, CA 94105

SHEET TITLE: AV SYSTEMS  
VIDEO CONFERENCE ROOM [SOUTH]  
DWG NUMBER: ---

**AV-1.01**



5 AV SYSTEMS  
VIDEO CONFERENCE ROOM [SOUTH] - ELEVATION VIEW SOUTH WALL  
SCALE: 3/8" = 1'-0"



6 AV SYSTEMS  
VIDEO CONFERENCE ROOM [SOUTH] - ELEVATION VIEW SOUTH WALL  
SCALE: 3/8" = 1'-0"