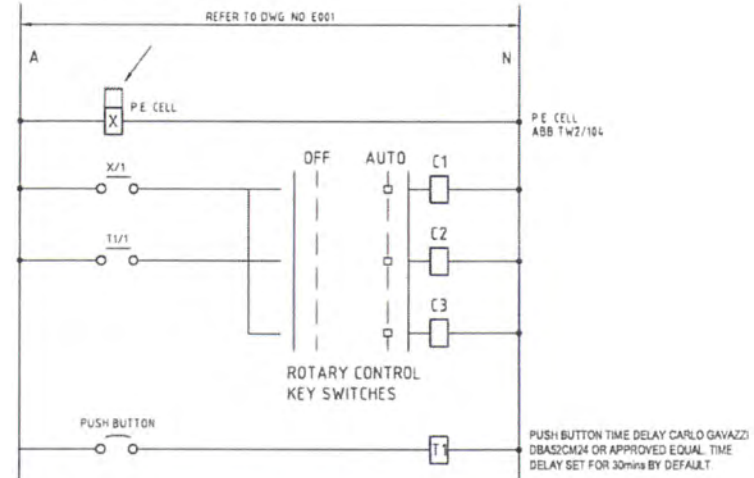


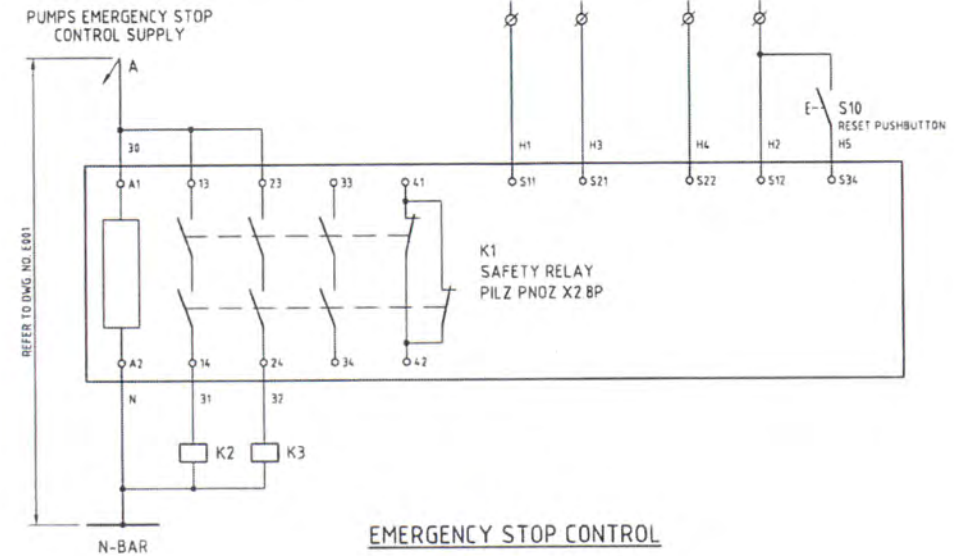
NOTES:

- SAFETY RELAY (K1) SHALL BE PILZ PNOZ X2 BP, SIL 3 RATED IN ACCORDANCE WITH IEC 61511.
- SAFETY CONTACTORS (K2 & K3) SHALL BE SPRECHER-SCHUH CAS7 TYPE, RATED TO 63A, CATEGORY B4.
- EXTERNAL LIGHTING SENSOR TO BE ABB TW2/104 DELAY PUSH BUTTON CARLO GAVAZZI DBA52CM24 OR APPROVED EQUAL TO BP STANDARD
- PROVIDE LABELLED KEY SWITCHES ON THE FRONT PANEL OF THE SWITCHBOARD FOR CONTROL OF THE FUEL SYSTEM AND LIGHTING
- LIAISE WITH THE PROJECT PRINCIPAL FOR THE WORKS ASSOCIATED WITH THE GILBARCO FUEL CONTROLLER. COORDINATE ALL WORKS PRIOR TO COMMENCING WORKS.
- PROVIDE THE FACILITY TO PADLOCK, IN THE OPEN POSITION, ALL CIRCUIT BREAKERS FEEDING HAZARDOUS AREAS.
- MOUNT CIRCUIT BREAKERS SO THAT ON/OFF & CURRENT RATING INDICATIONS ARE CLEARLY VISIBLE WITH COVERS & ESCUTCHEONS IN POSITION. ALIGN OPERATING TOGGLES OF EACH BREAKER IN THE SAME PLANE.

BP DISTRIBUTION SUB-BOARD

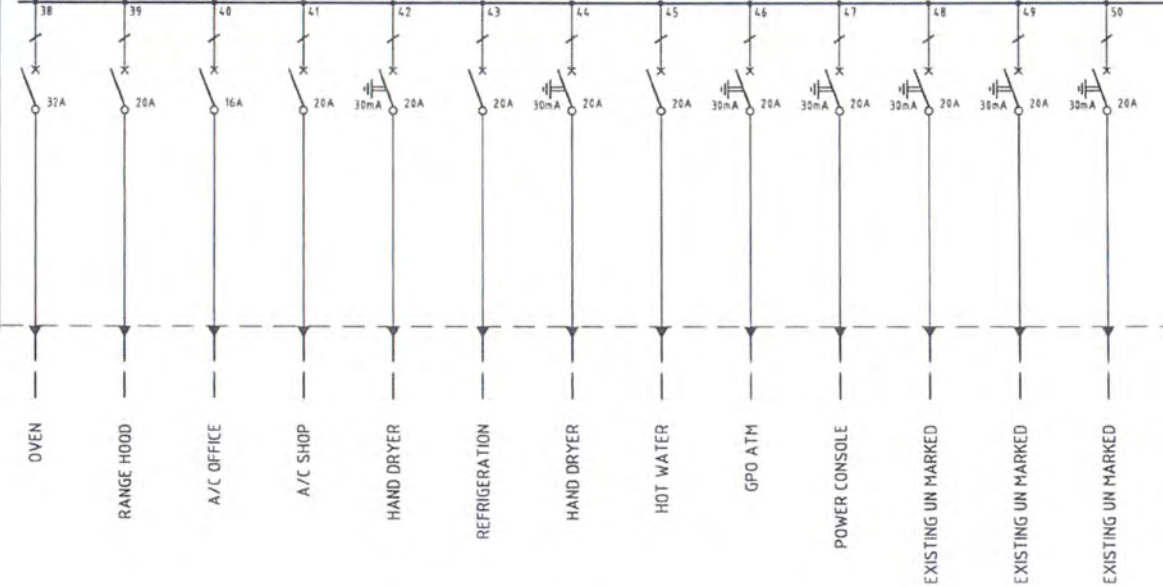


EXTERNAL LIGHTING SCHEMATIC

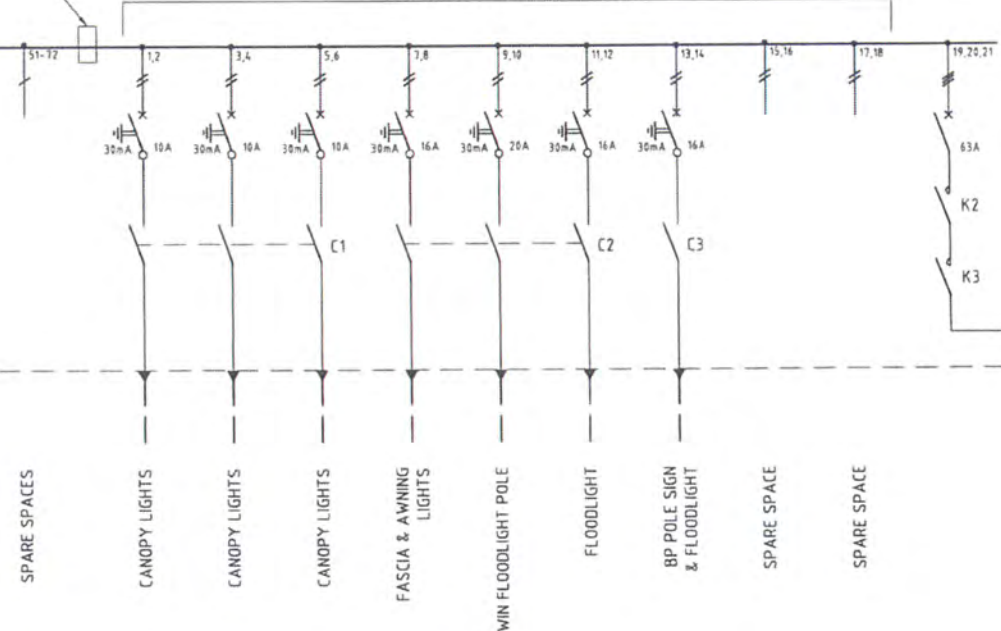


EMERGENCY STOP CONTROL

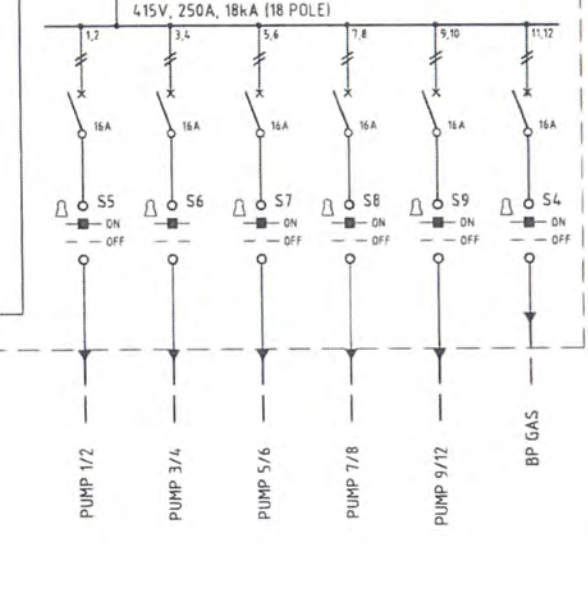
DISTRIBUTION CHASSIS
415V, 250A, 18kA (72 POLE)



HAZARDOUS ZONE CHASSIS
415V/250A 24 POLE 18kA
SWITCHABLE FOR 2 POLE BREAKERS



FUEL CHASSIS
415V, 250A, 18kA (18 POLE)



ISSUED FOR CONSTRUCTION

THIRD PARTY	PRINT NAME	SIGNATURE	4. BP	PRINT NAME	SIGNATURE
1. ENGINEER	Corant Steinbach	[Signature]	<input checked="" type="checkbox"/> AUTHORISED	JER AIK NG	[Signature]
2. REVIEW	Phil Knight	[Signature]	<input type="checkbox"/> NOT AUTHORISED	CARL JACOBSON	[Signature]
3. APPROVE	COLIN CRANEY	[Signature]			



REV	DATE	AMENDMENTS	DRN	DSM
1	18/06/14	ISSUE FOR CONSTRUCTION	BS	
A	21/03/14	X	BS	

DIMENSIONS IN MM
DO NOT SCALE

DRAWING PRACTICE TO AS1100

BP AUSTRALIA PTY LTD.
CPO Box 9222, MELBOURNE VIC 3001
ABN 55 004 065 611
TEL (03) 9256 4111

work to be carried out in accordance with the contract specification. The information contained in this document is confidential. Copyright is vested in BP Australia Limited. Written consent is required prior to reproduction. Copyright © BP Australia Limited 1991.

BP DALBY
CNR DRAYTON & PRATTEN STREETS, DALBY, QLD 4405

SWITCHBOARD UPGRADE
SINGLE LINE DIAGRAM SHEET 2 OF 2

DRAWN	BS	DATE	21/03/14	DWG No	K70577-09957-E002	REV	1
SCALE	NTS	SHEET	A1				